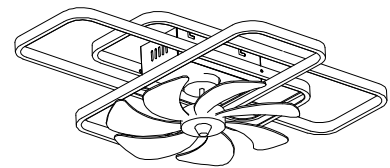
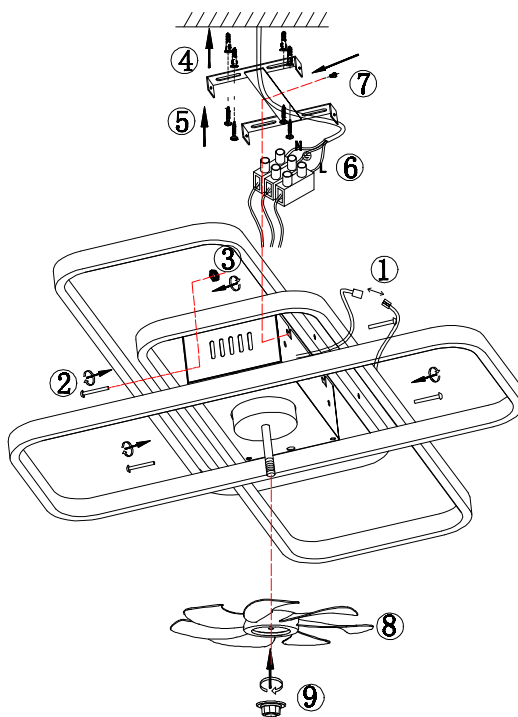


Installation instruction

Be careful with electricity!
Do not operate with electricity

Installation Notes:

Products of the same series



All the blue wires of the lamp head are connected together, brown wires are connected together, blue wire is connected to the red wire of the driver and brown wire is connected to the black wire of the driver. The black wire of the controller is connected to the Live wire L, and the white is connected to the Neutral wire N.

installation steps

1. First install the strut on the lamp head and then install the suction cup on the whole lamp head as shown in the figure
2. Install the strut to the motor head first, then install the suction cup on the motor head as shown in Figure
3. Install the fan blades and the fixed fan blades as shown in the figure
4. All lamp wires are connected together with the blue wires and the brown wires.
5. Install the hanging plate
6. Power off and connect to the power cord
7. Install the ceiling pan