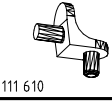
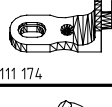
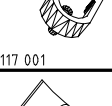

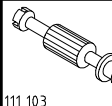
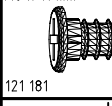
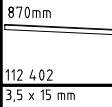
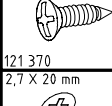

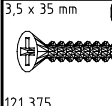
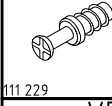

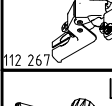

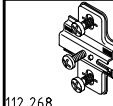
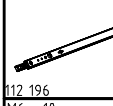
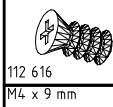
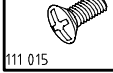
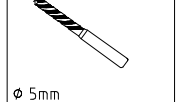
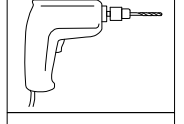
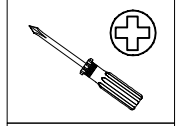
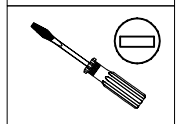
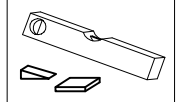
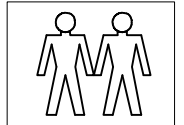
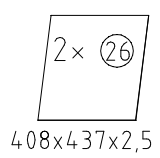
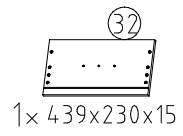
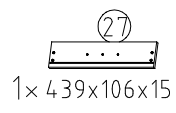
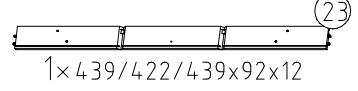
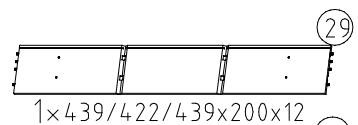
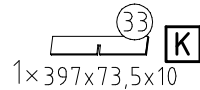
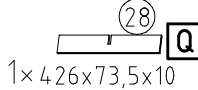
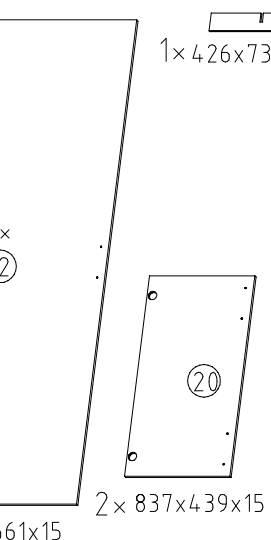
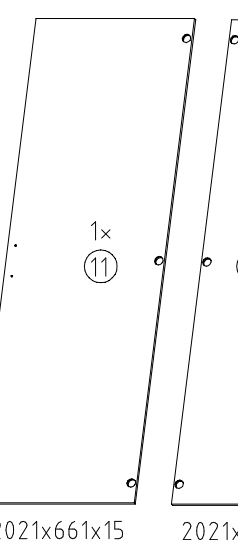
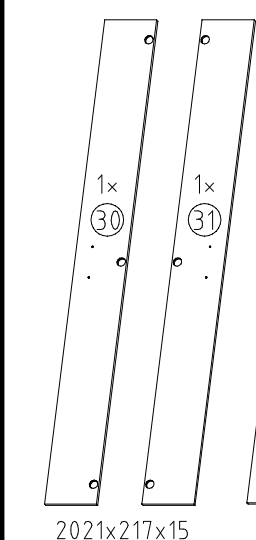
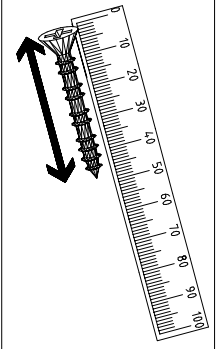
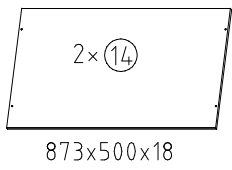
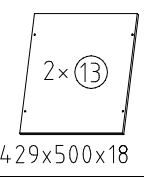
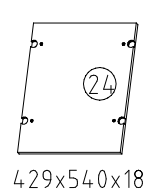
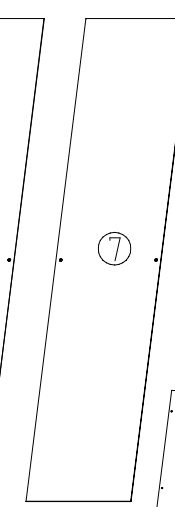
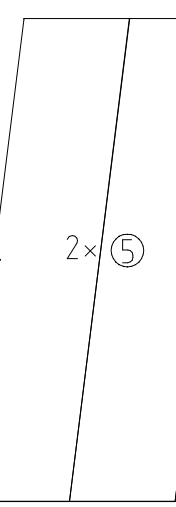
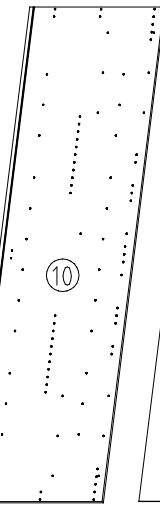
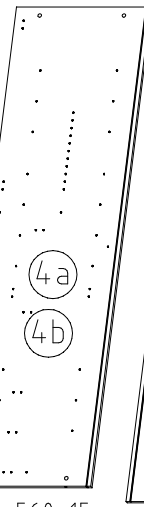
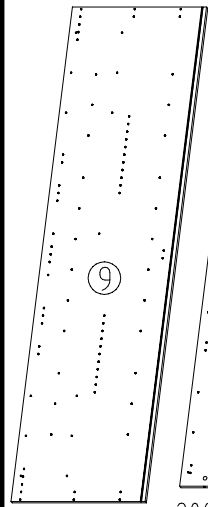
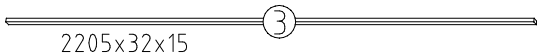
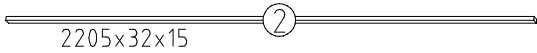
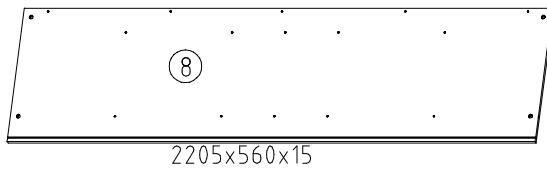
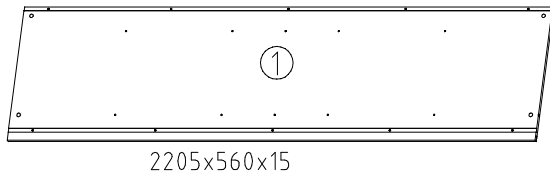
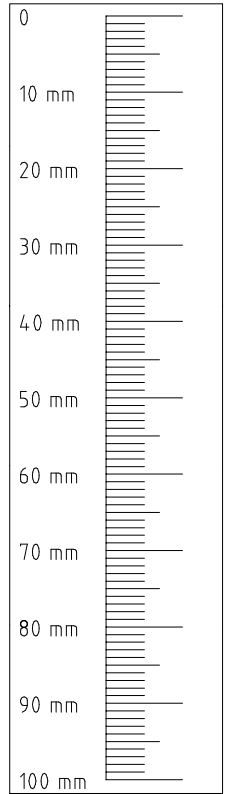
 111 102	<b>A</b>	16x
 111 610	<b>L7</b>	16x
 111 174	<b>J1</b>	6x
 117 001	<b>K1</b>	4x
 163 007	<b>Z</b>	2x

 111 103	<b>C</b>	16x
 M6 x 11 mm 121 181	<b>T6</b>	6x
 870mm 112 402	<b>K20</b>	2x
 3,5 x 15 mm 121 370	<b>G1</b>	10x
 2,7 x 20 mm 121 099	<b>G7</b>	2x

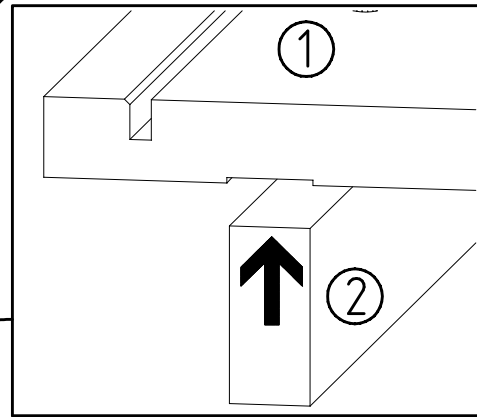
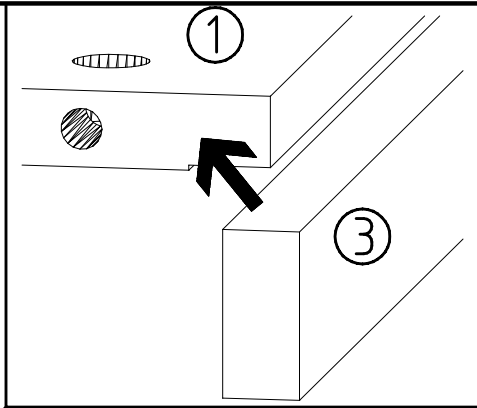
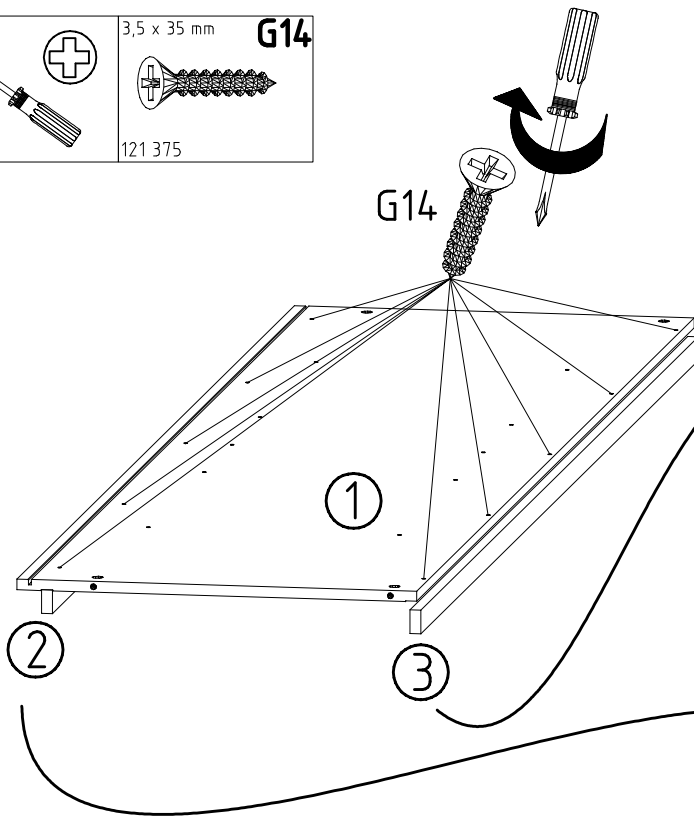
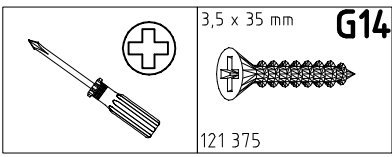
 3,5 x 35 mm 121 375	<b>G14</b>	15x
 111 229	<b>F</b>	4x
 111 252	<b>VB23</b>	4x
 112 267	<b>N</b>	17x
	<b>L25</b>	4x

 112 268	<b>M</b>	16x
 112 196	<b>Y17</b>	4x
 M6 x 10 112 616	<b>T3</b>	8x
 M4 x 9 mm 111 015	<b>G8</b>	4x

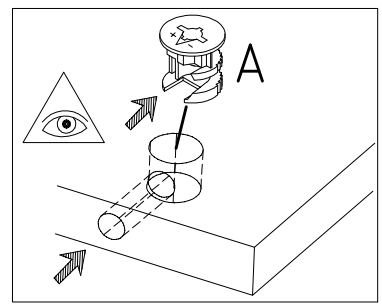
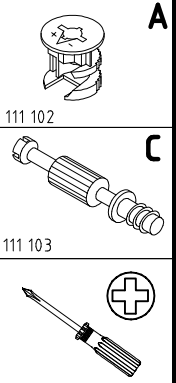
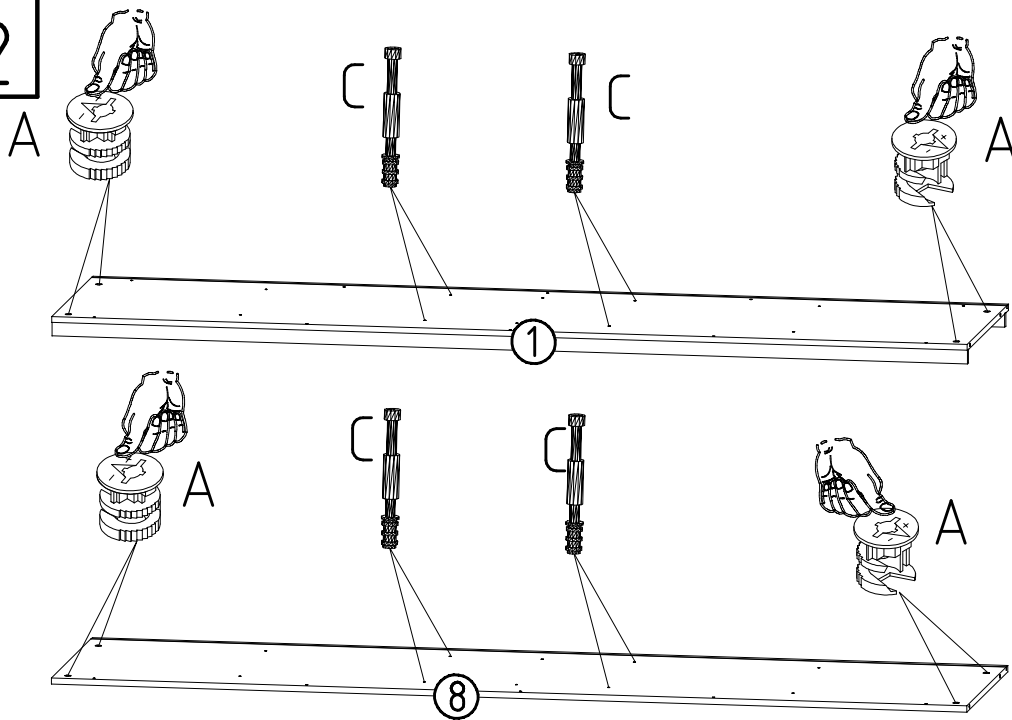


∅ 5mm

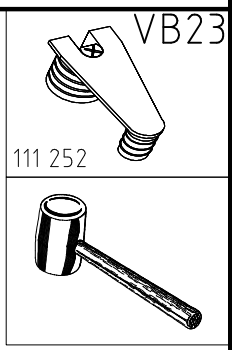
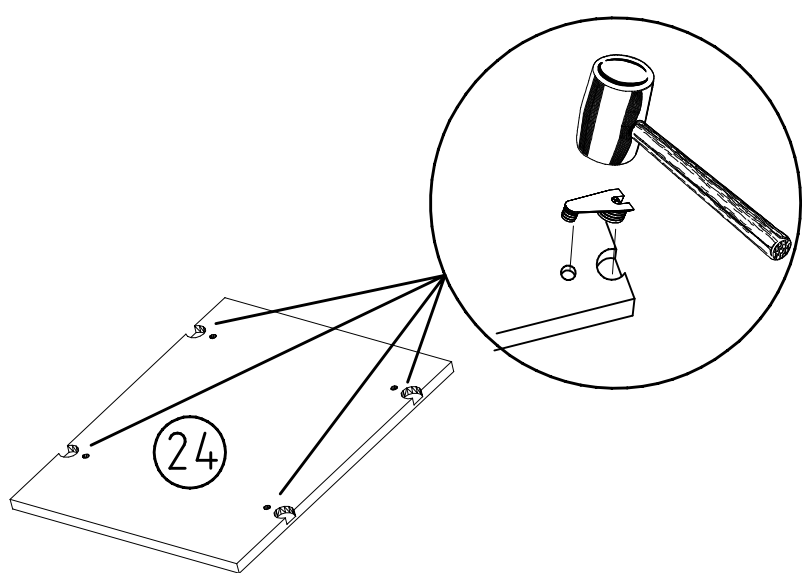
1



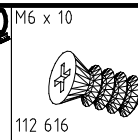
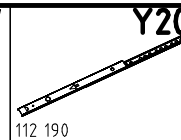
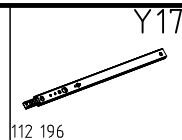
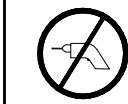
2



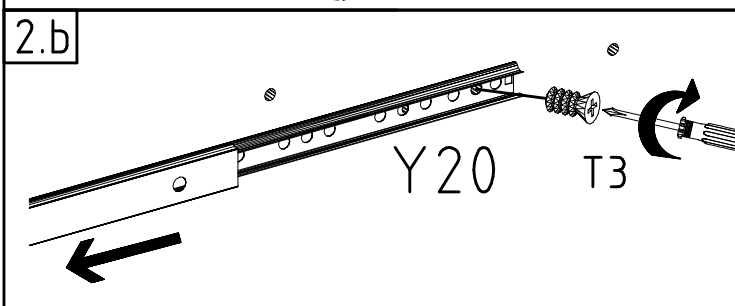
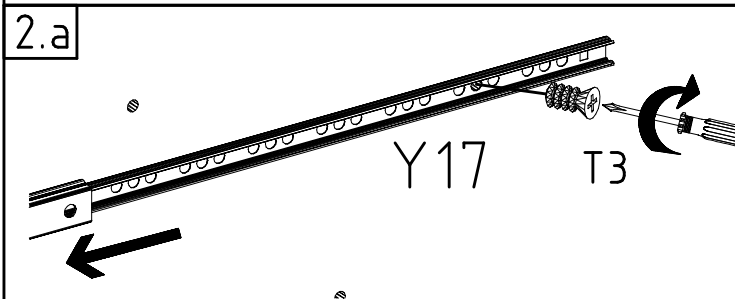
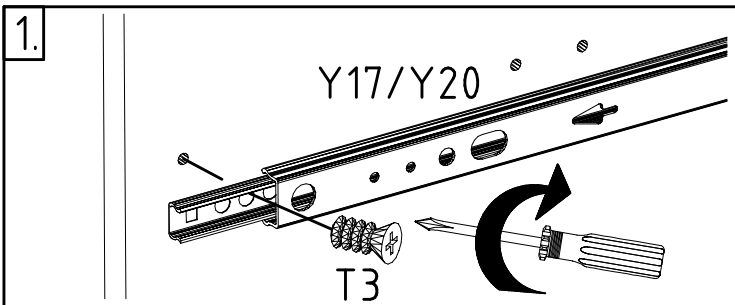
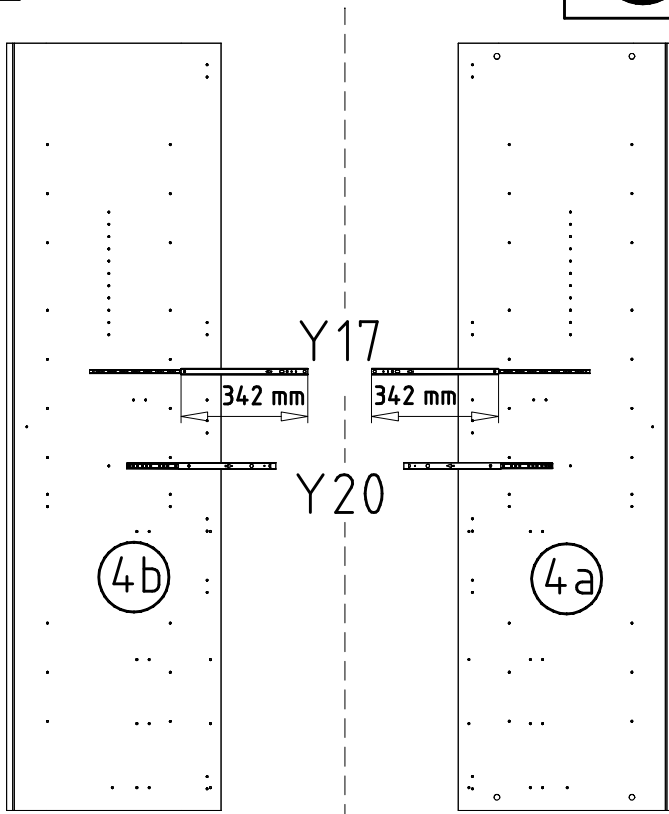
3



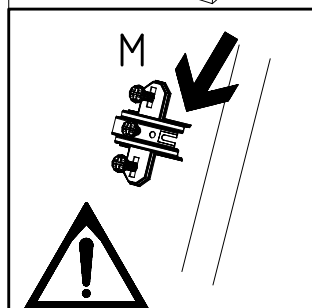
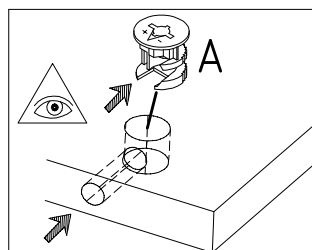
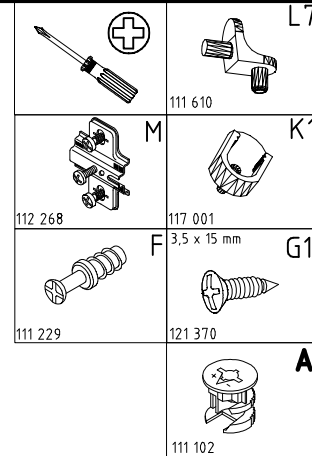
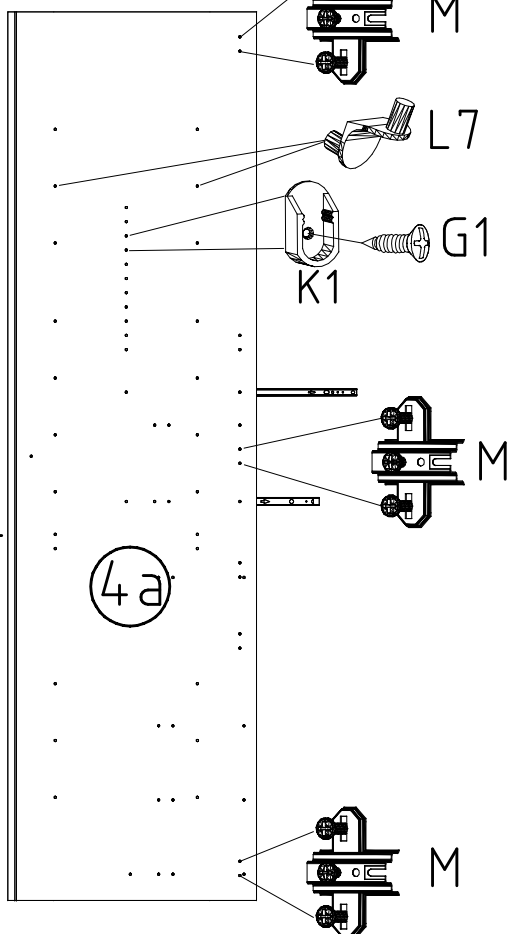
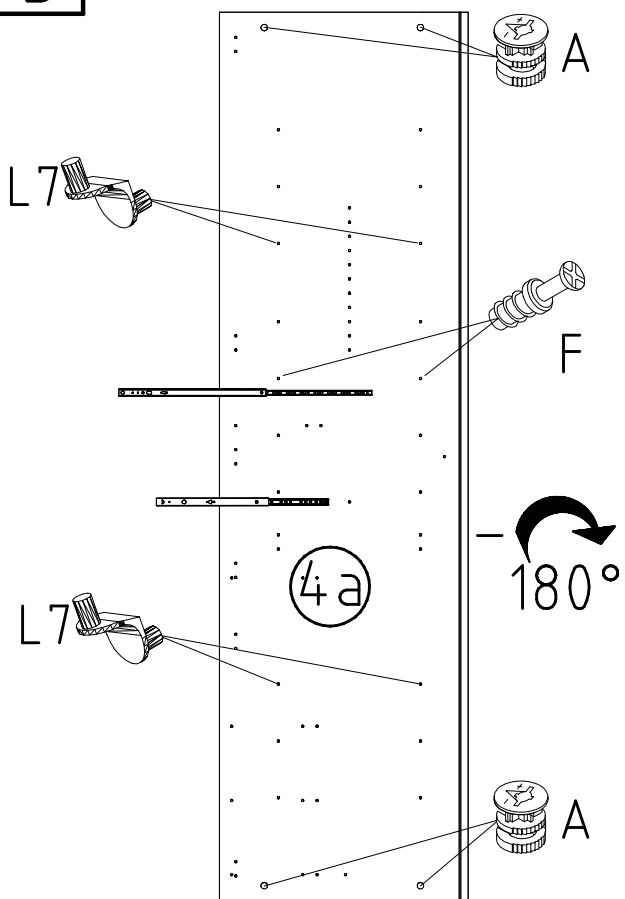
4



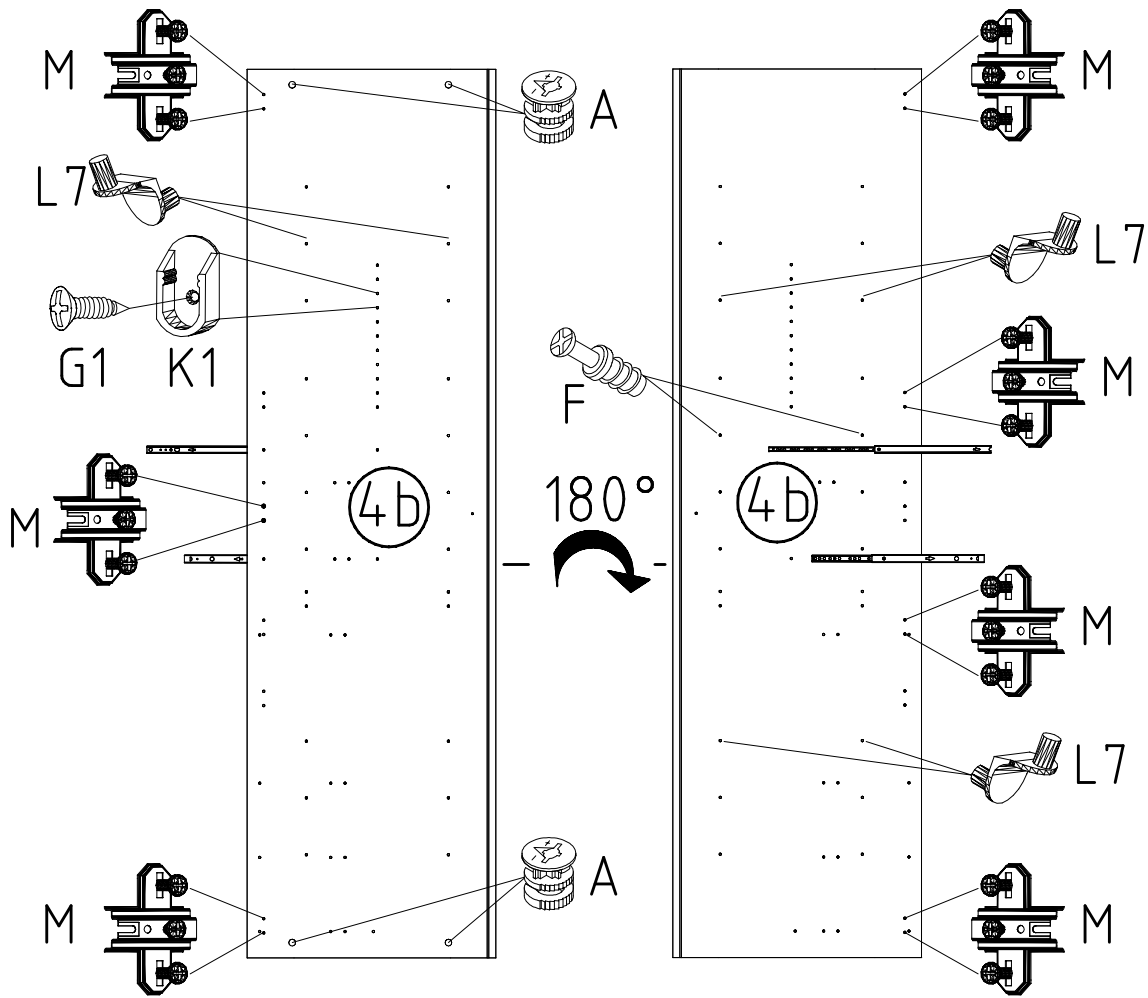
T3

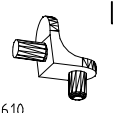
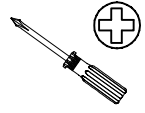

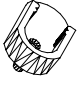


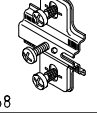
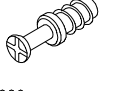


5

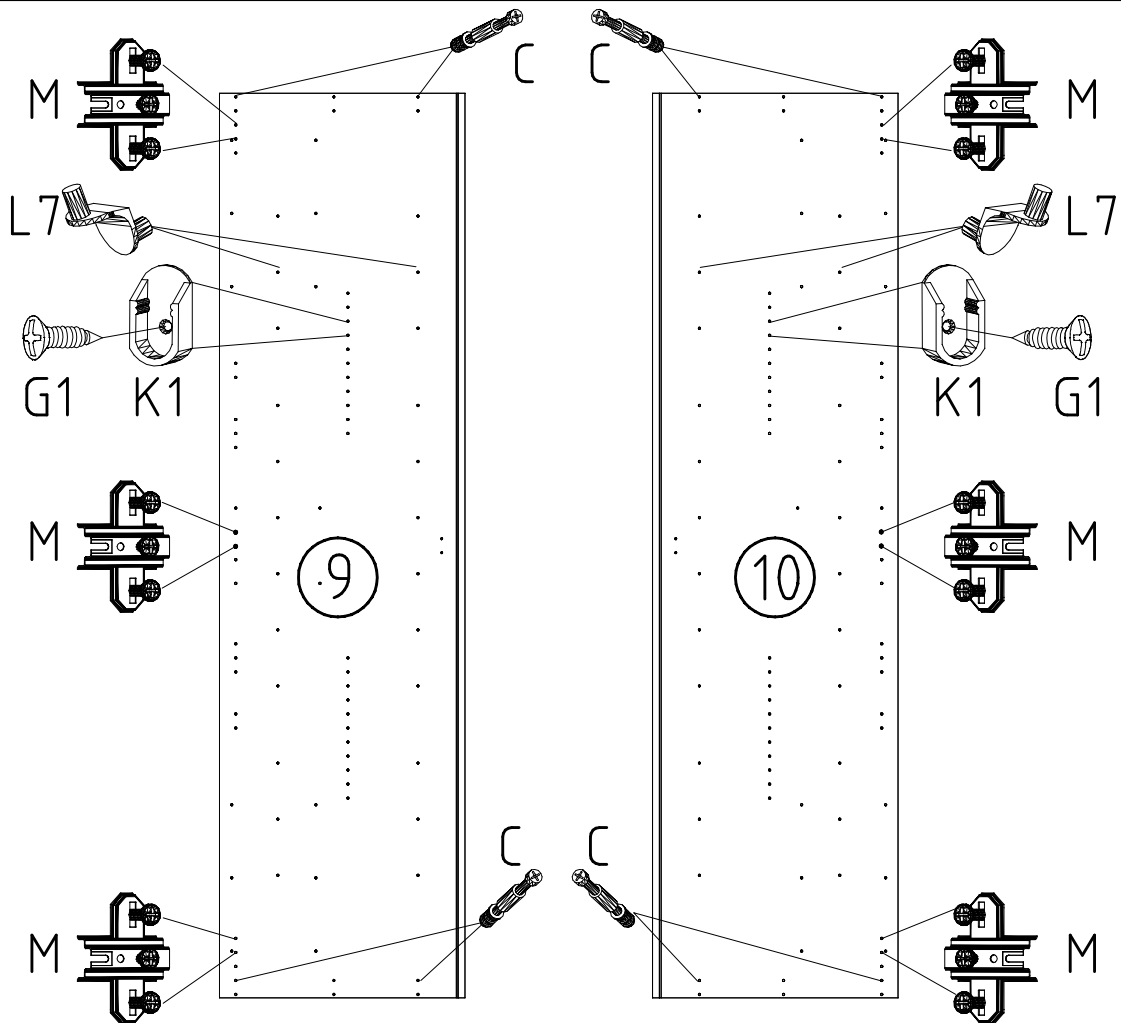


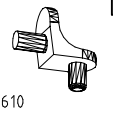
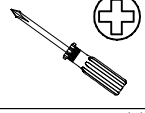



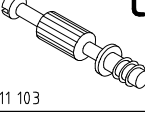
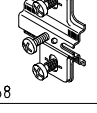
6



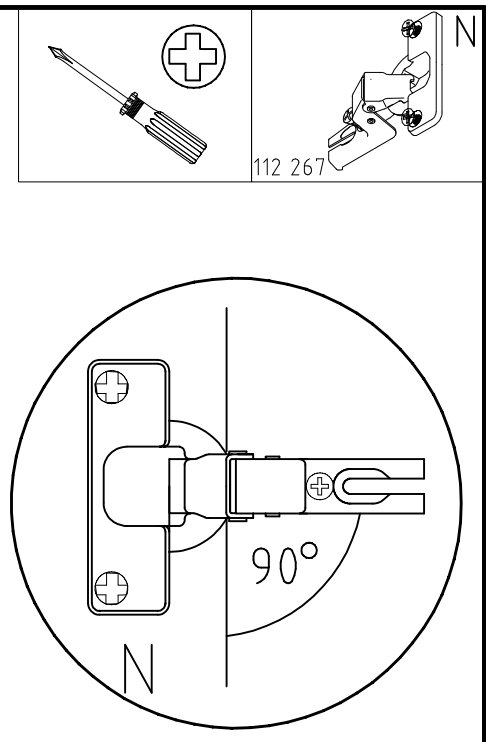
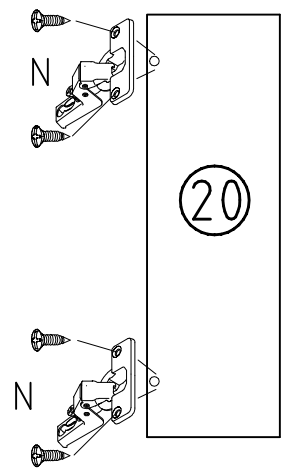
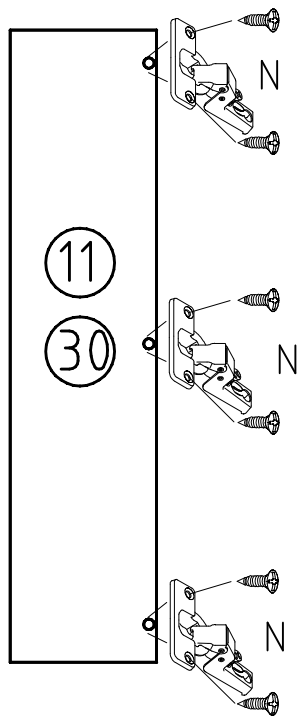
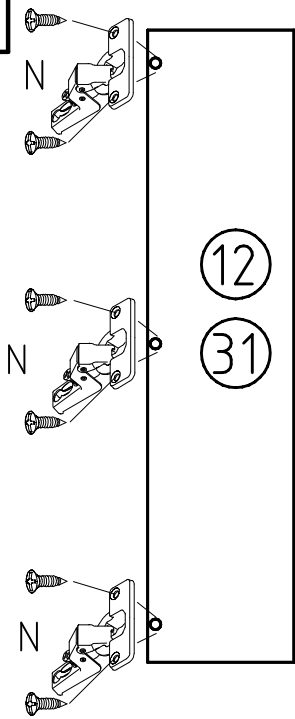
-  L7  
111 610
-  
-  K1  
117 001  
3,5 x 15 mm
-  G1  
121 370
-  A  
111 102
-  M  
112 268
-  F  
111 229

7

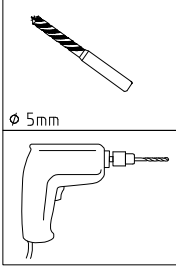
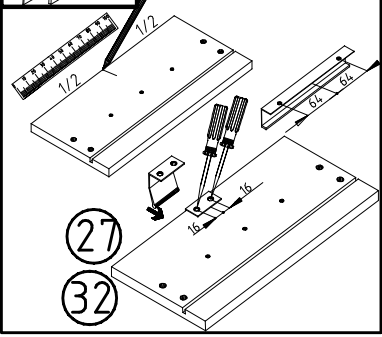
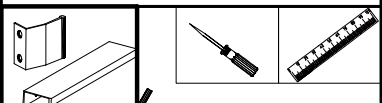
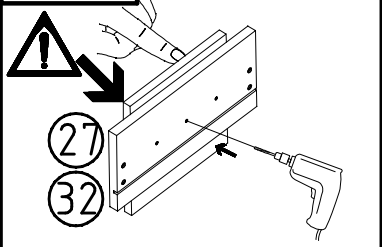
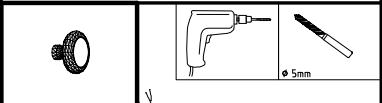
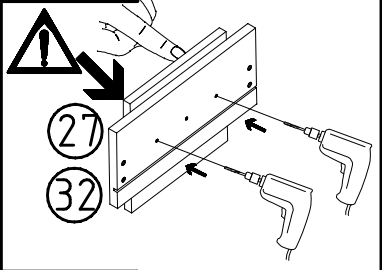
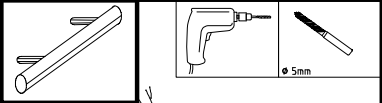
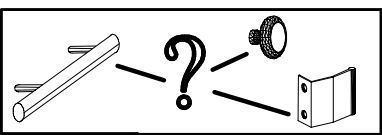


-  L7  
111 610
-  
-  K1  
117 001  
3,5 x 15 mm
-  G1  
121 370
-  C  
111 103
-  M  
112 268

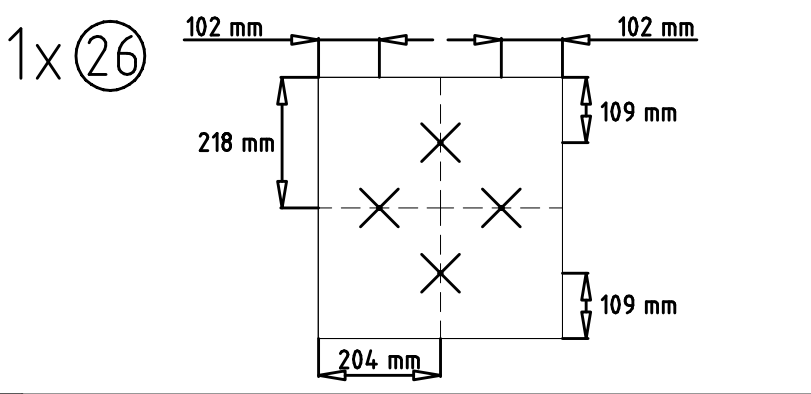
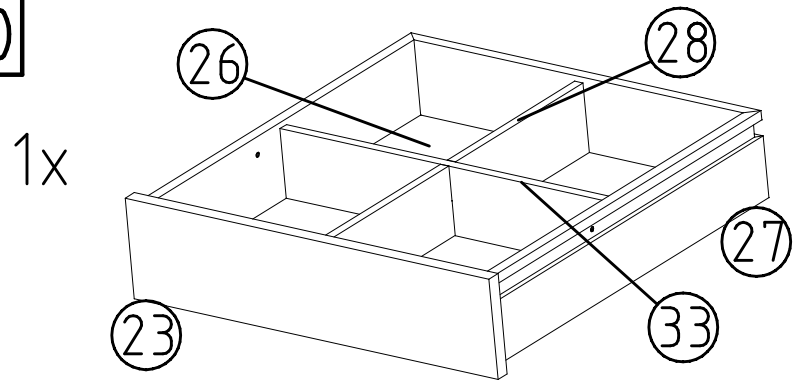
8



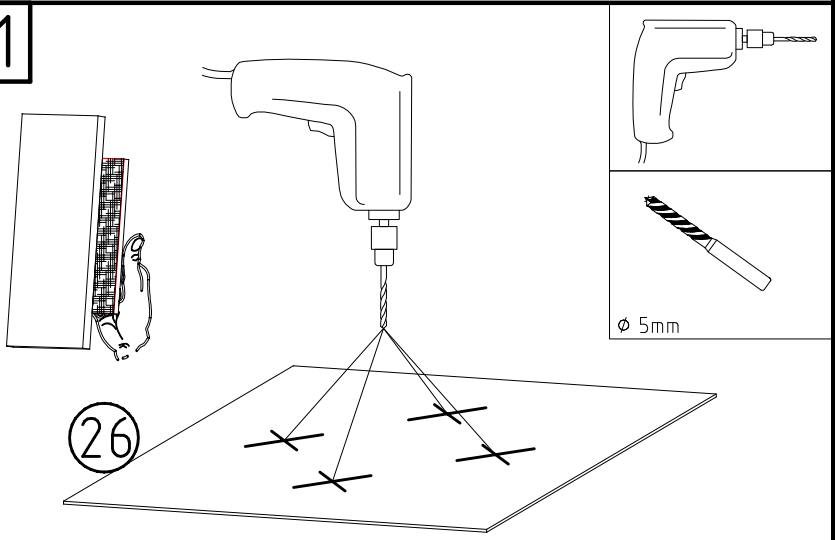
9



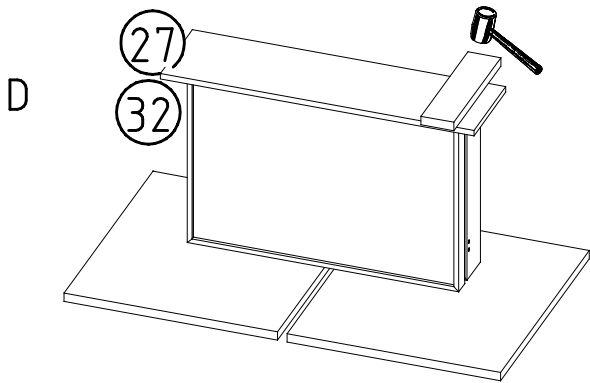
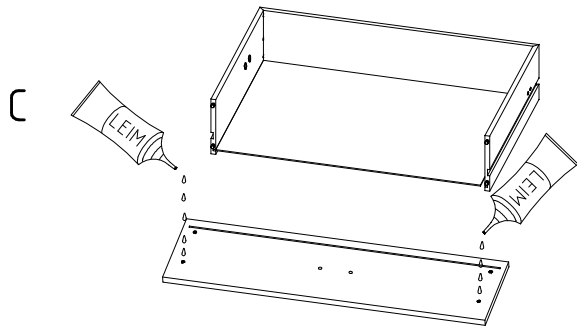
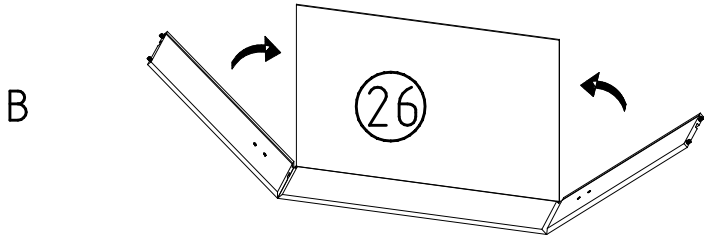
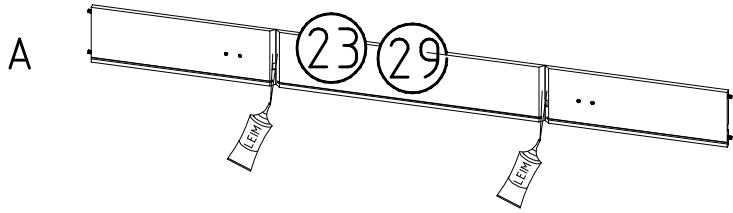
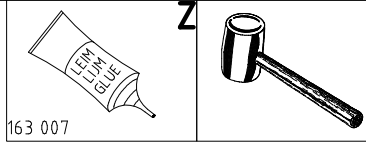
10



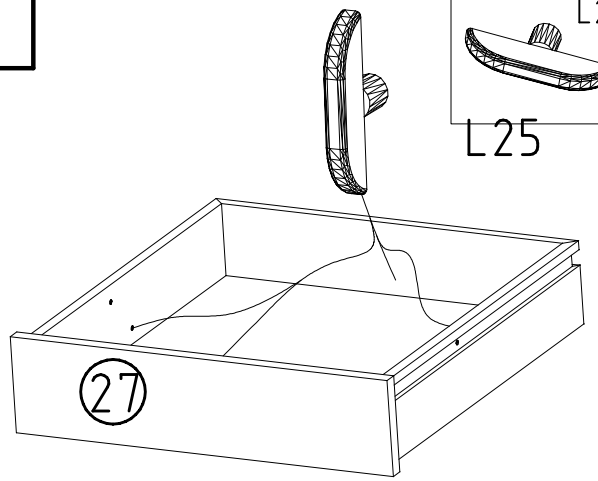
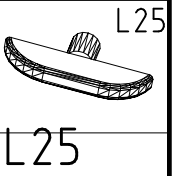
11



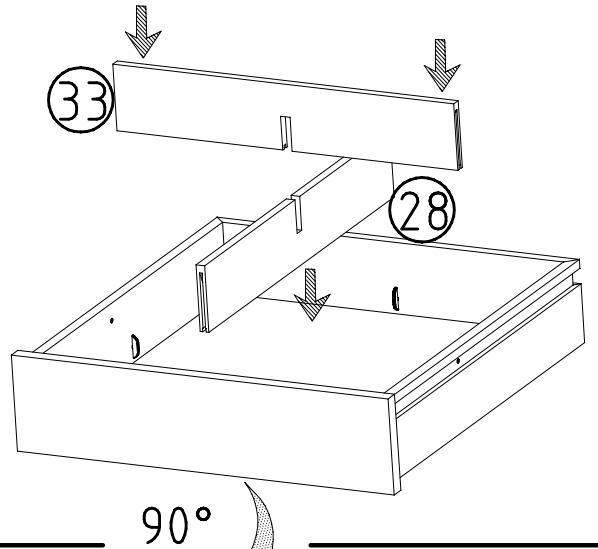
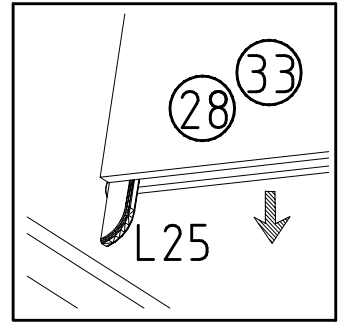
12



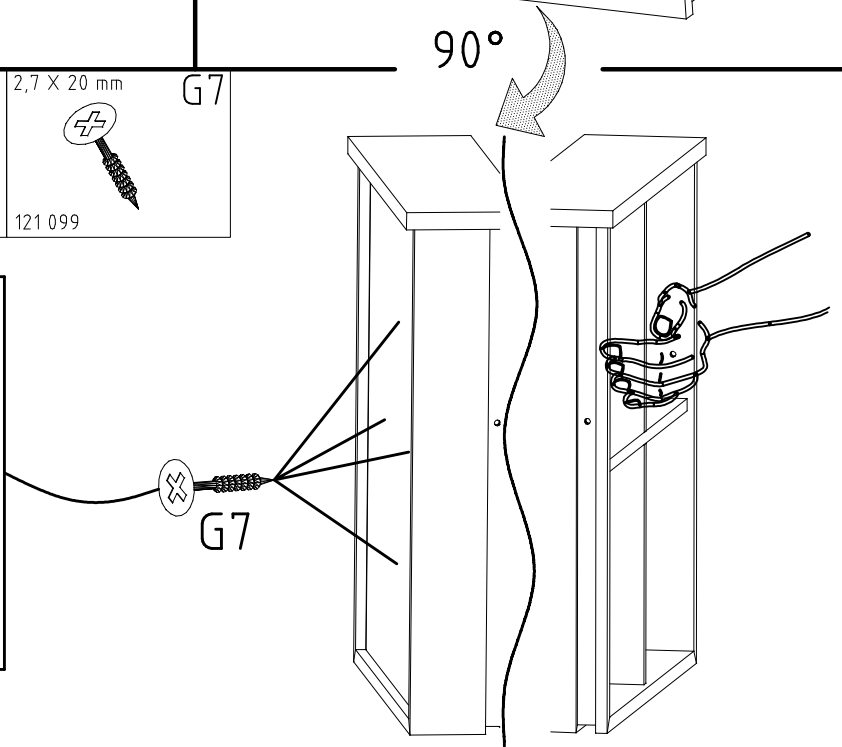
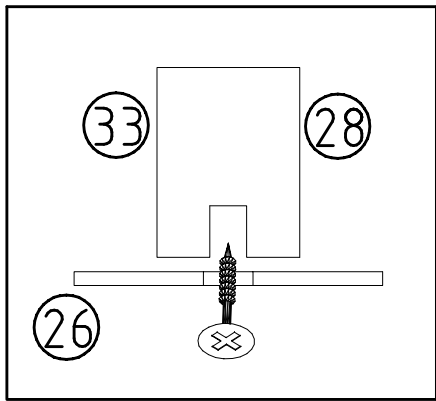
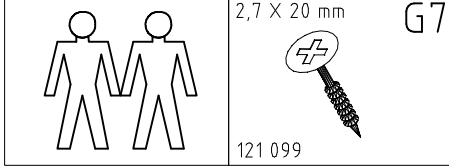
13

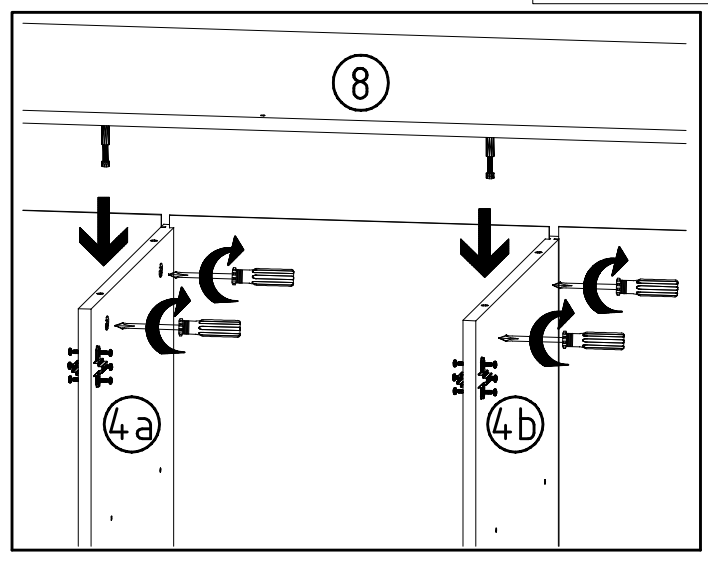
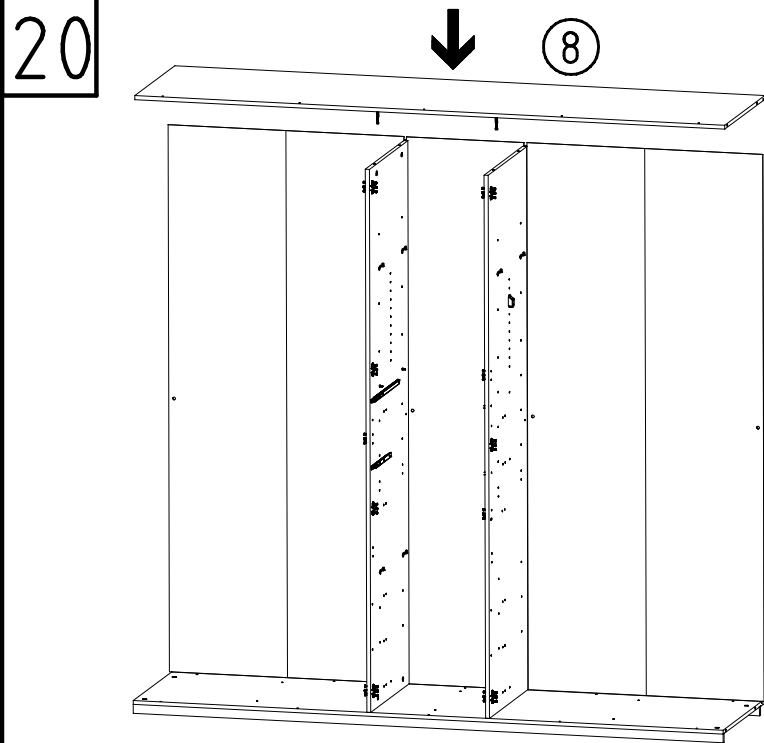
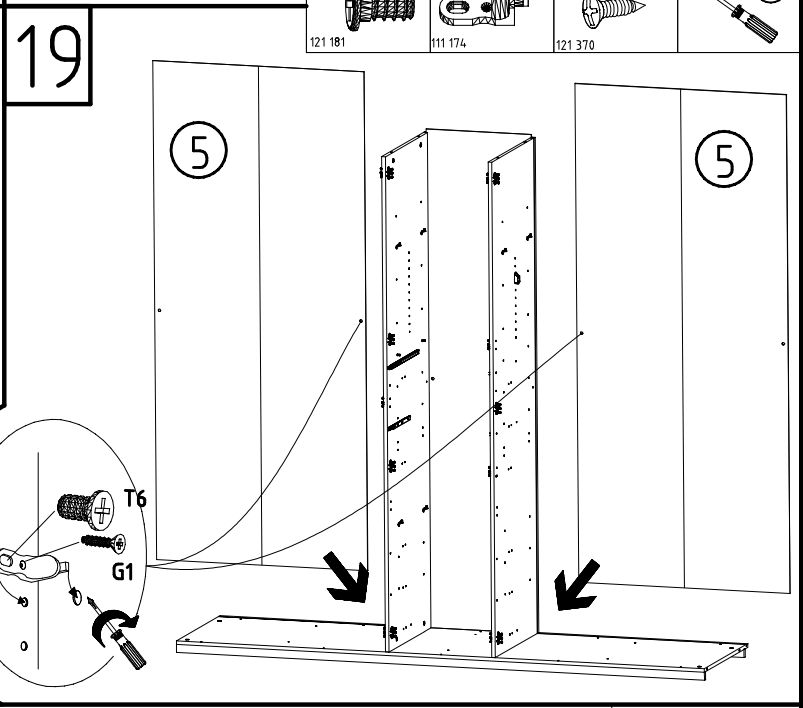
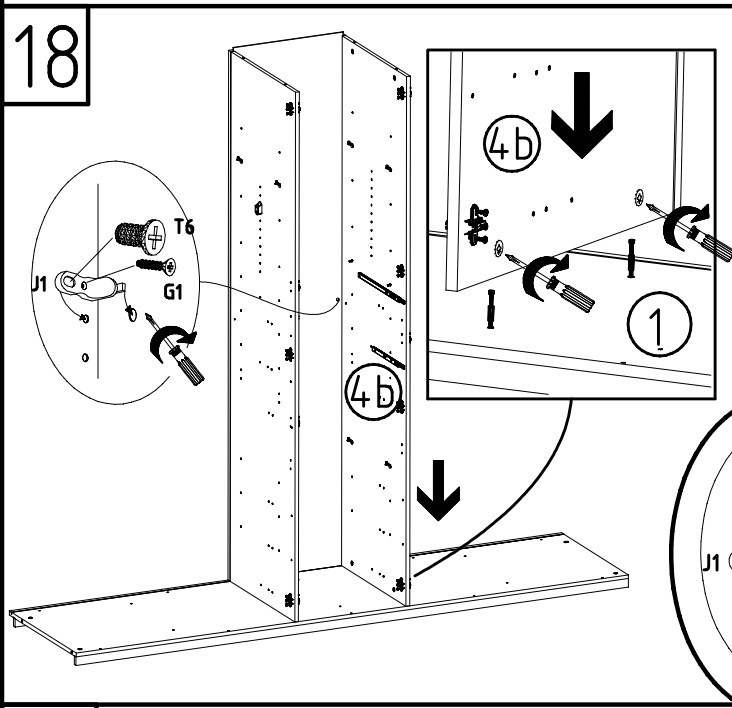
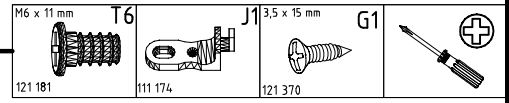
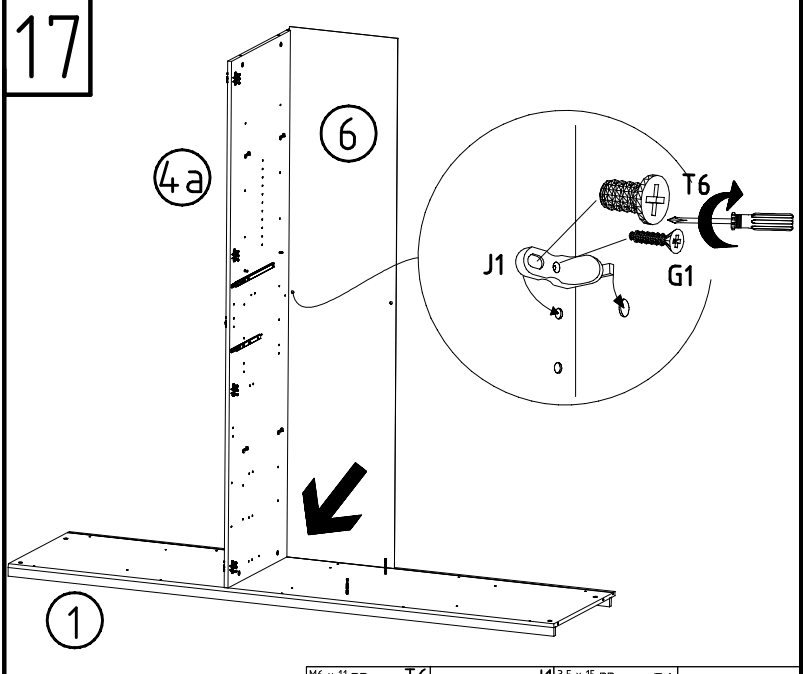
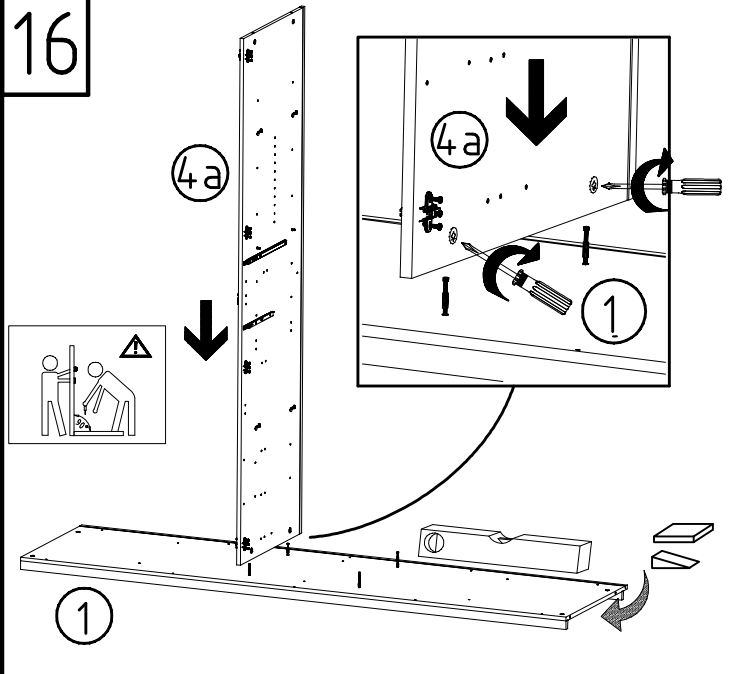


14



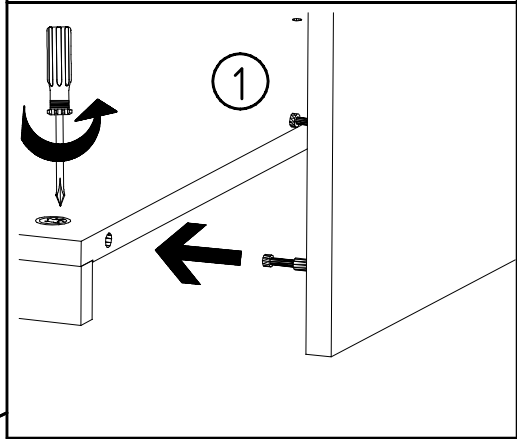
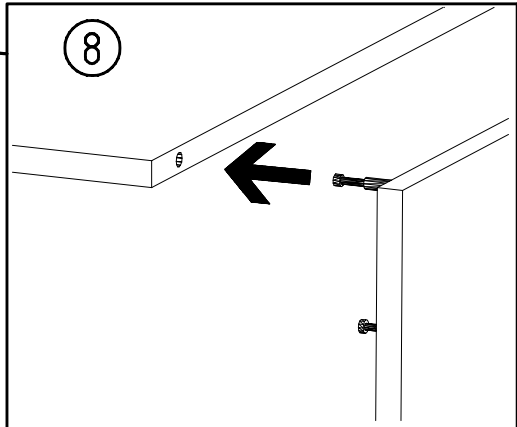
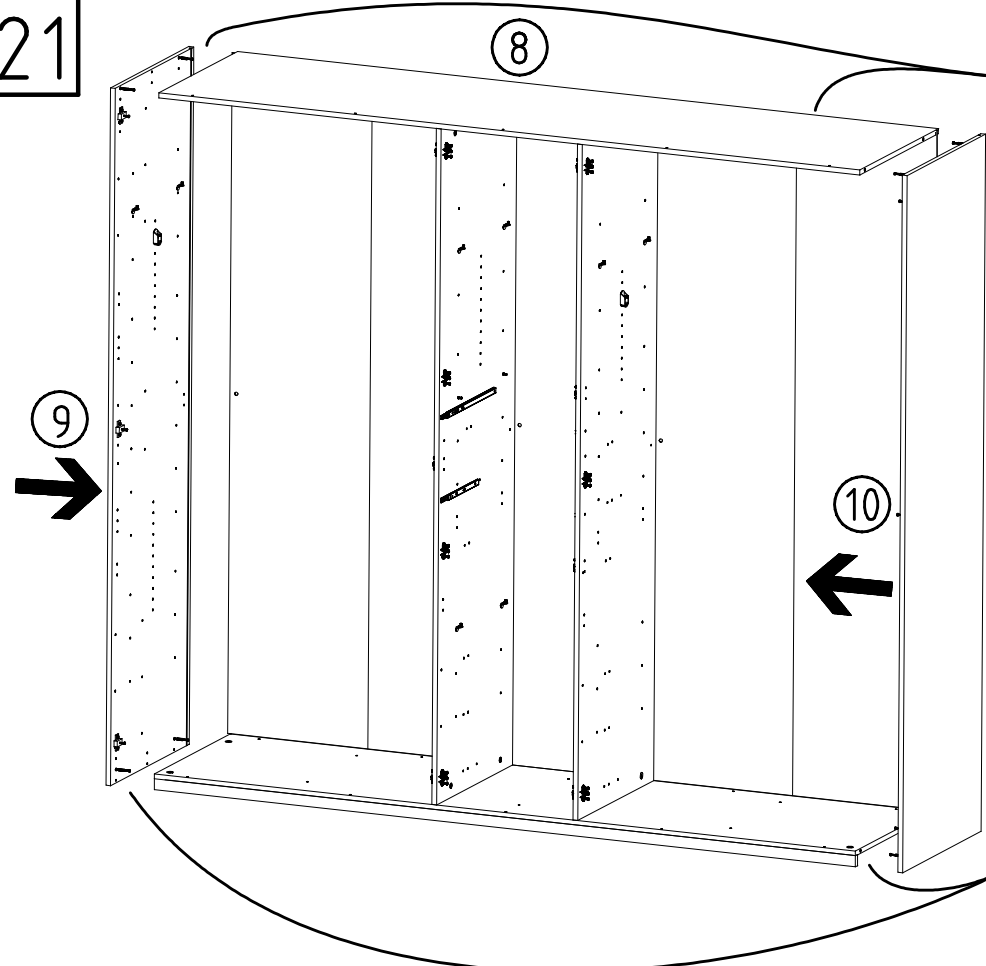
15





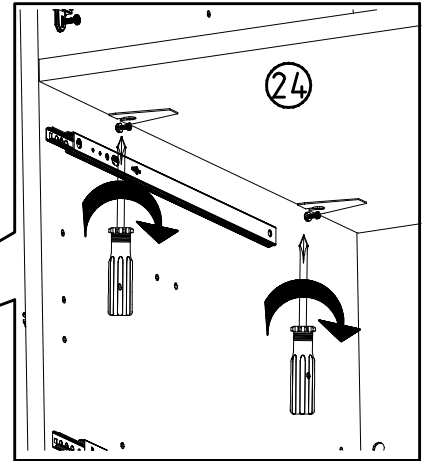
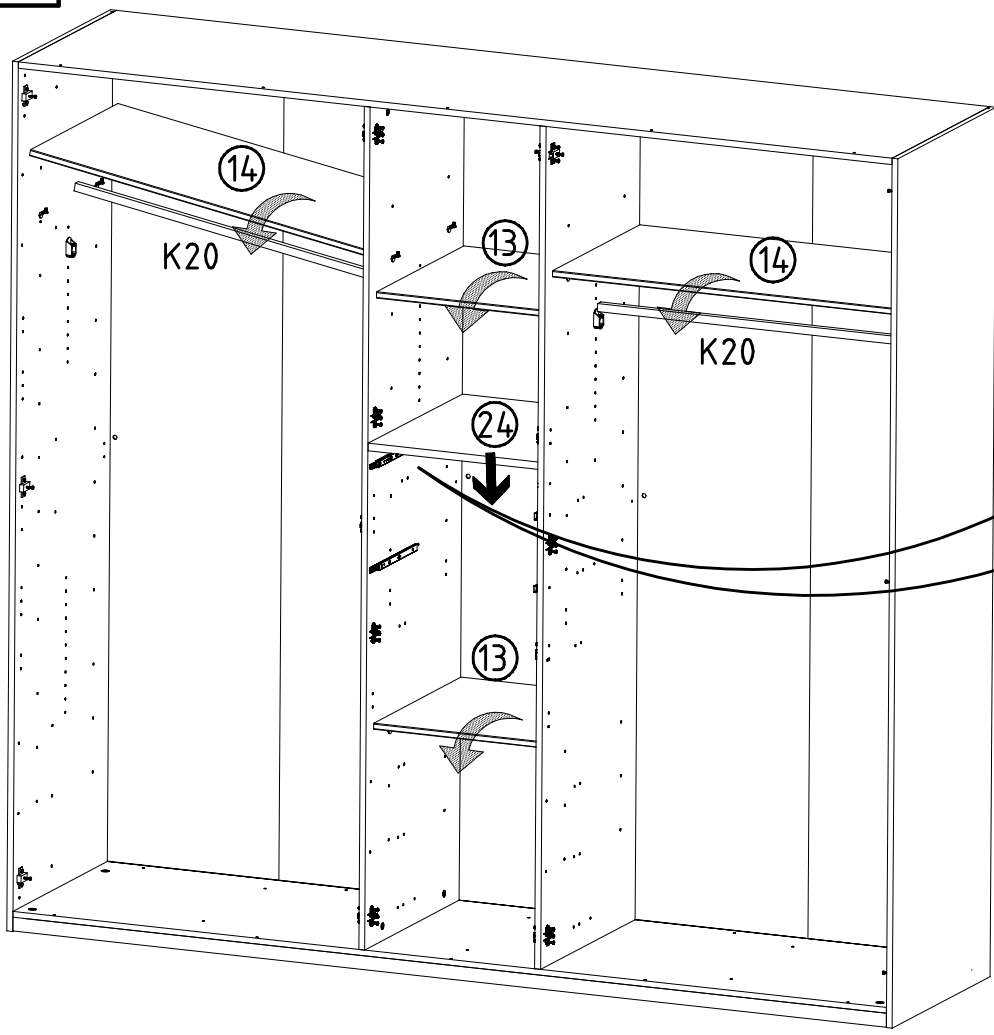


21

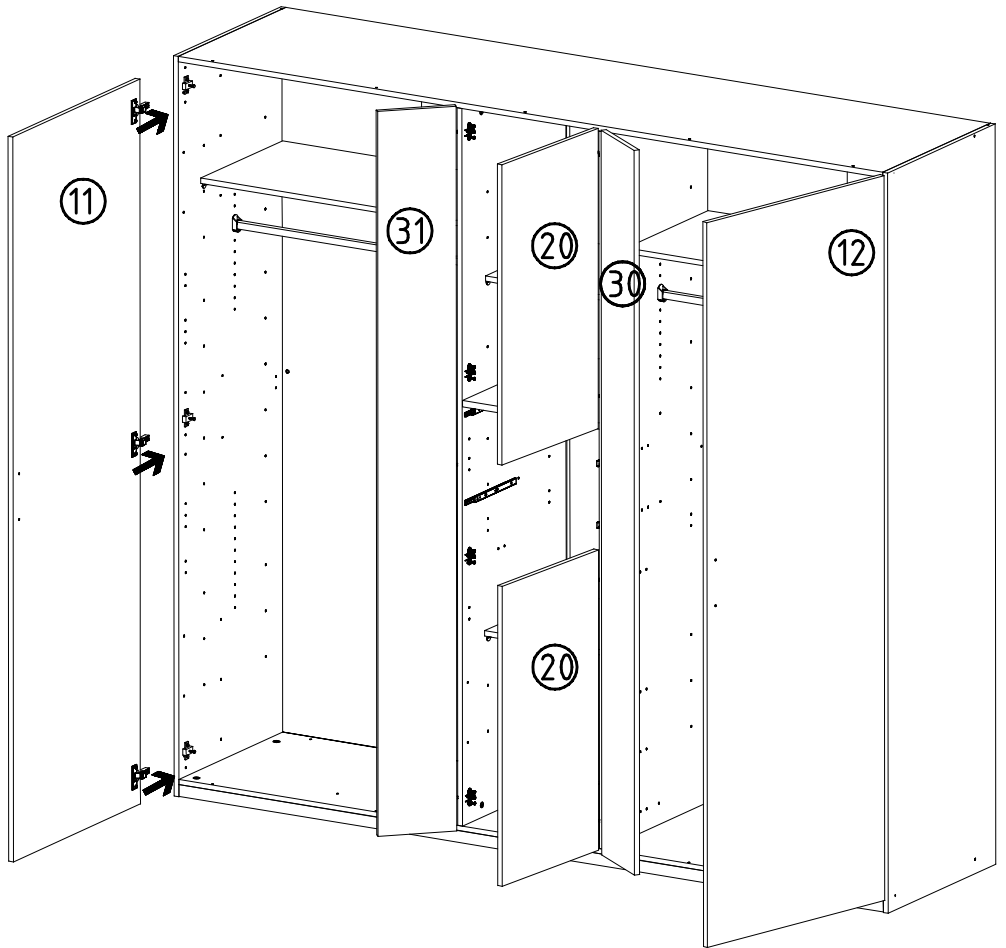
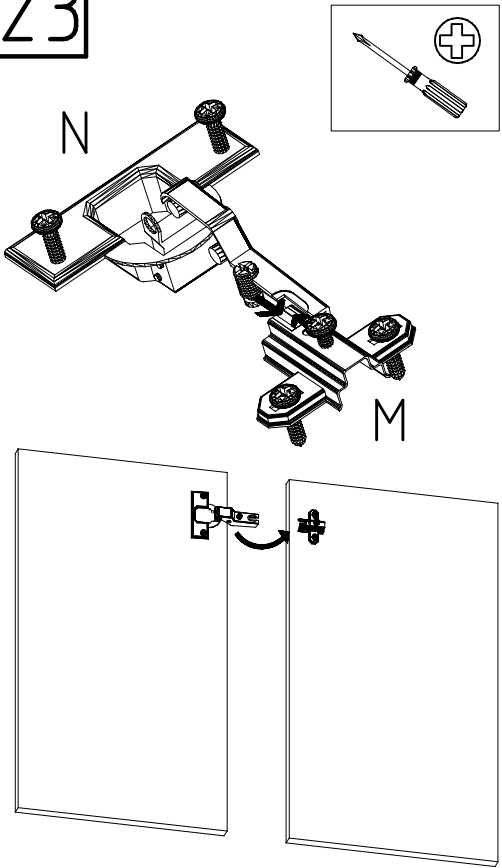


22

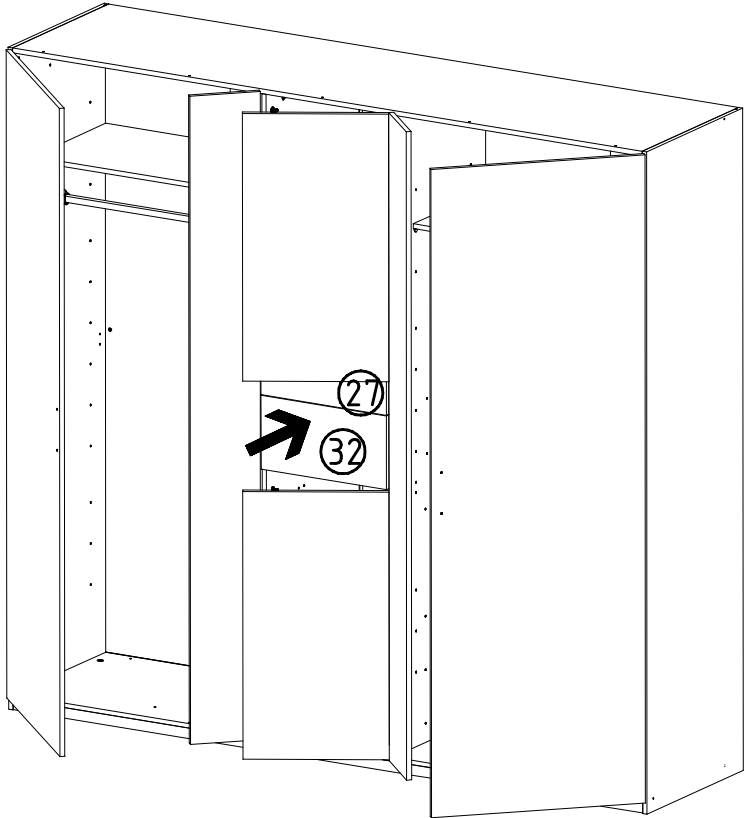
K20  
870mm  
112 402



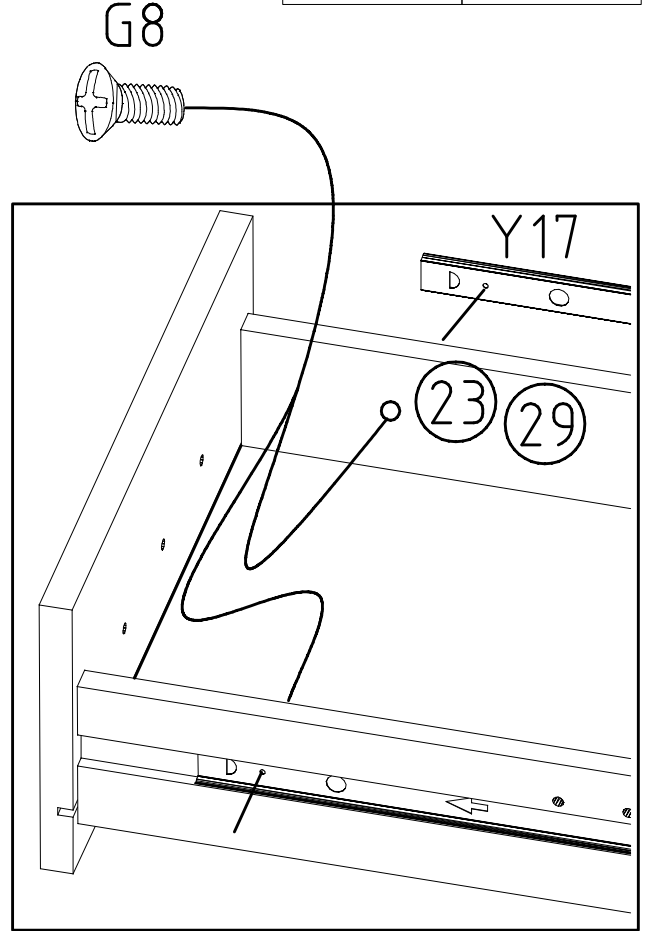
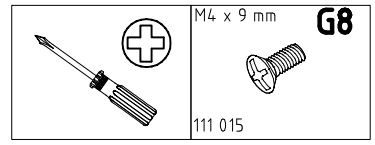
23

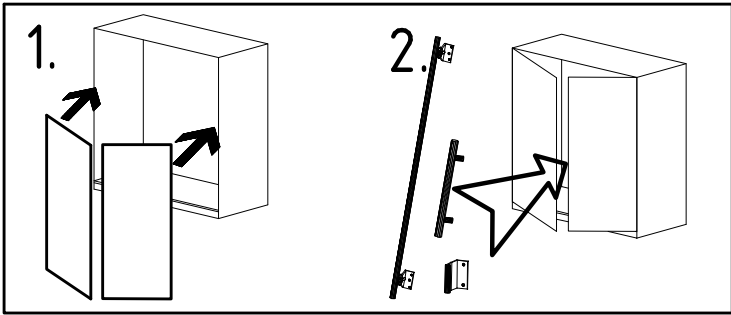
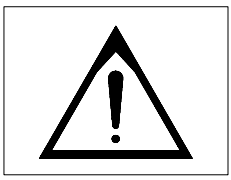


24

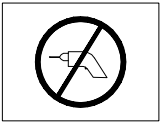
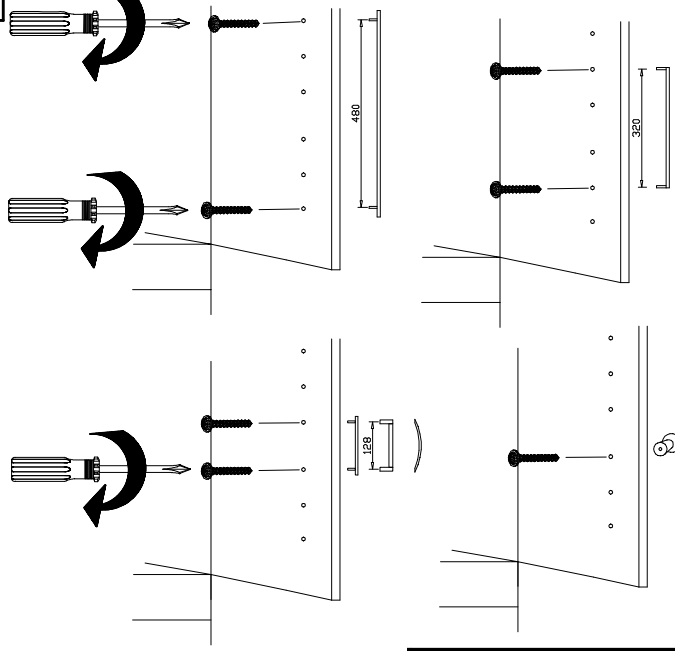
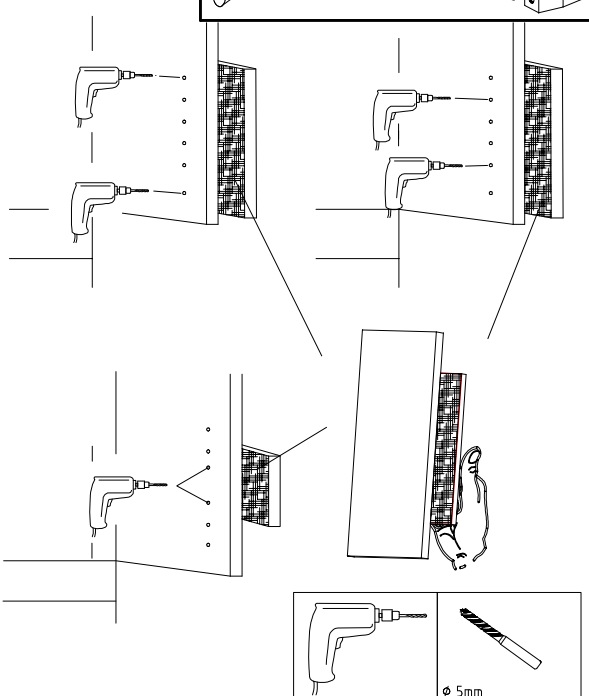
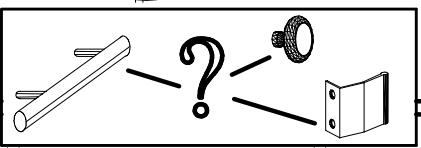
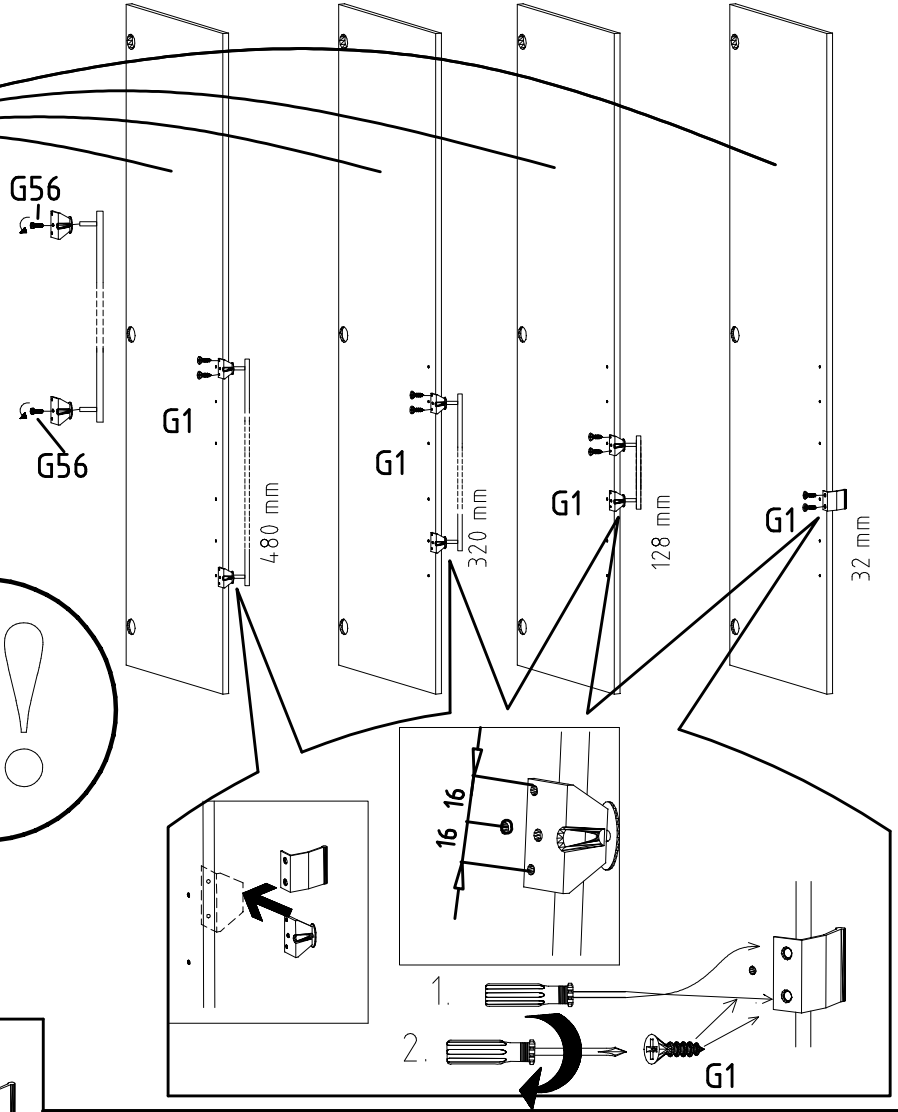
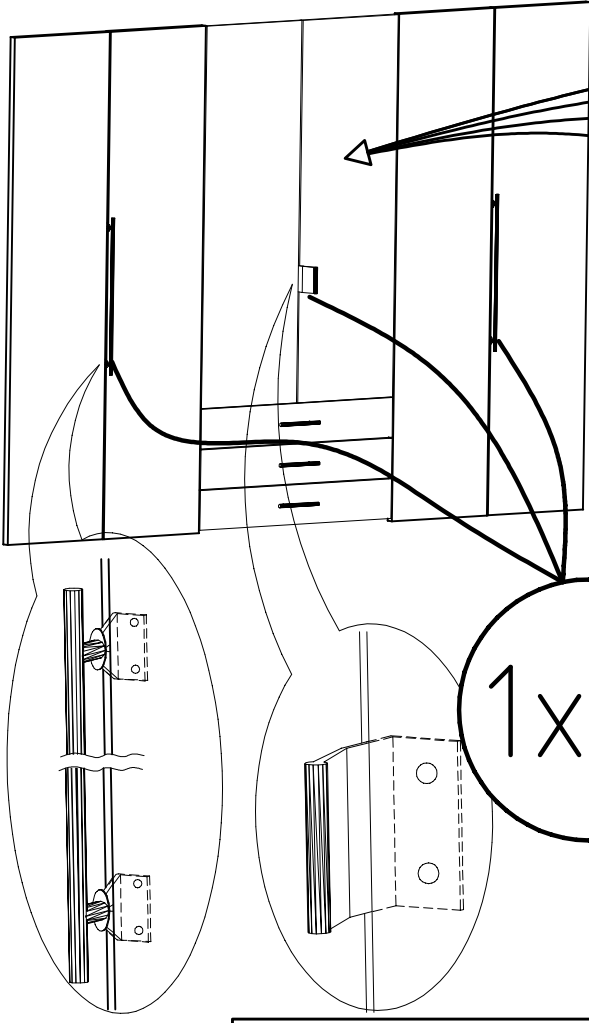


25

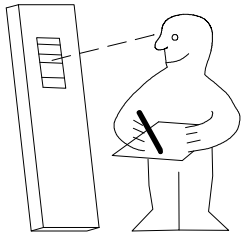
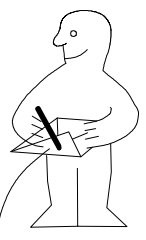
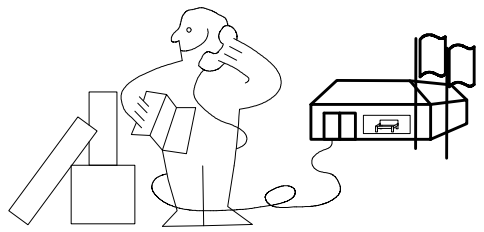
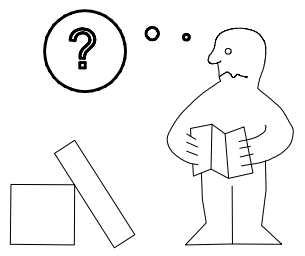




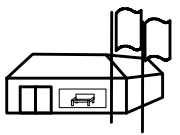
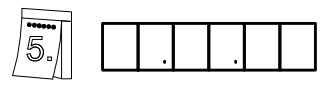
3,5 x 15 mm 121 370	G1	4,0 x 12 mm 122 625	G56
------------------------	----	------------------------	-----

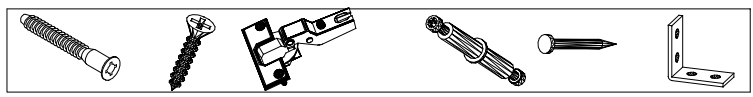


SP27 4 X 27mm 122620 4,0x22 122 609	G49
---	-----



Modell/Model/Modèle

(121 370)	( G 1 )	(4x)

