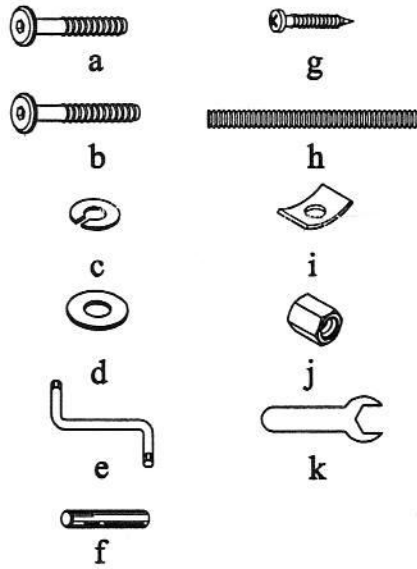


**CAL.KING HEADBOARD
CAL.KING FOOTBOARD
CAL.KING RAILS**

Assembly Instruction

A . Components :

- | | |
|--------------------|-----|
| 1. Headboard Panel | 1 x |
| 2. Footboard Panel | 1 x |
| 3. HB Right Leg | 1 x |
| 4. HB Left Leg | 1 x |
| 5. Stretcher | 1 x |
| 6. Bed Rail | 2 x |
| 7. Slat | 4 x |
| 8. Slat Support | 8 x |



B . Hardware :

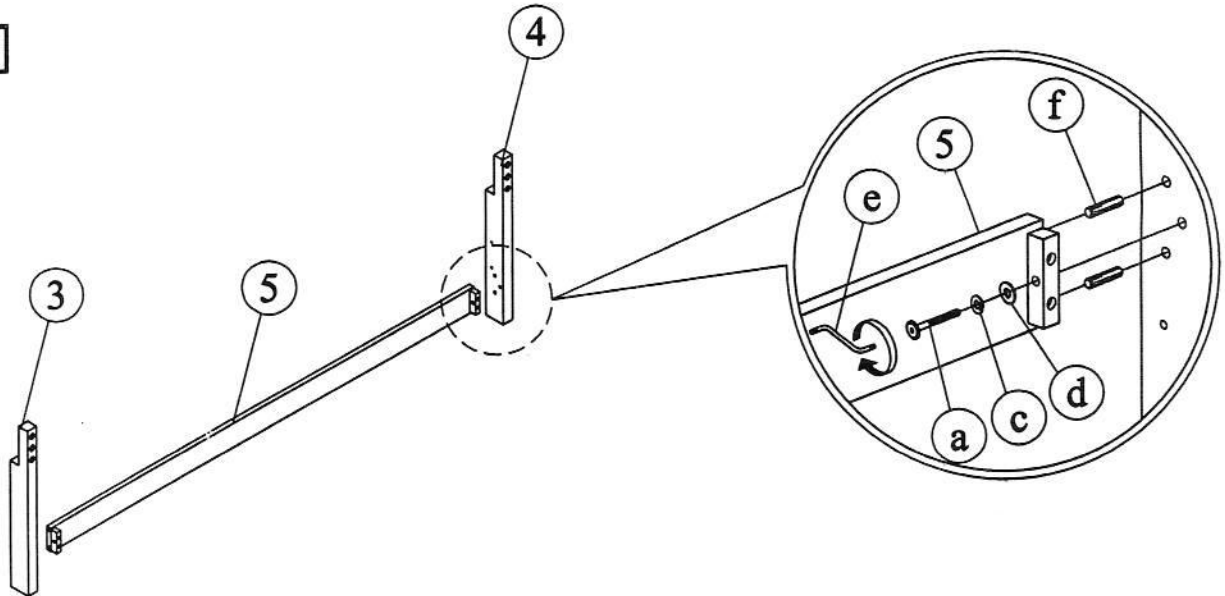
- | | | |
|----|--------------------|-----|
| a. | Allen Bolt Ø6x35mm | 2 x |
| b. | Allen Bolt Ø6x50mm | 6 x |
| c. | Lock Washer | 8 x |
| d. | Flat Washer | 8 x |
| e. | Allen Key | 1 x |
| f. | Dowel | 4 x |
| g. | Screw | 8 x |
| h. | Stud Bolt | 8 x |
| i. | Square Washer | 8 x |
| j. | Hex Nut | 8 x |
| k. | Wrench | 1 x |

B . Tool Required :

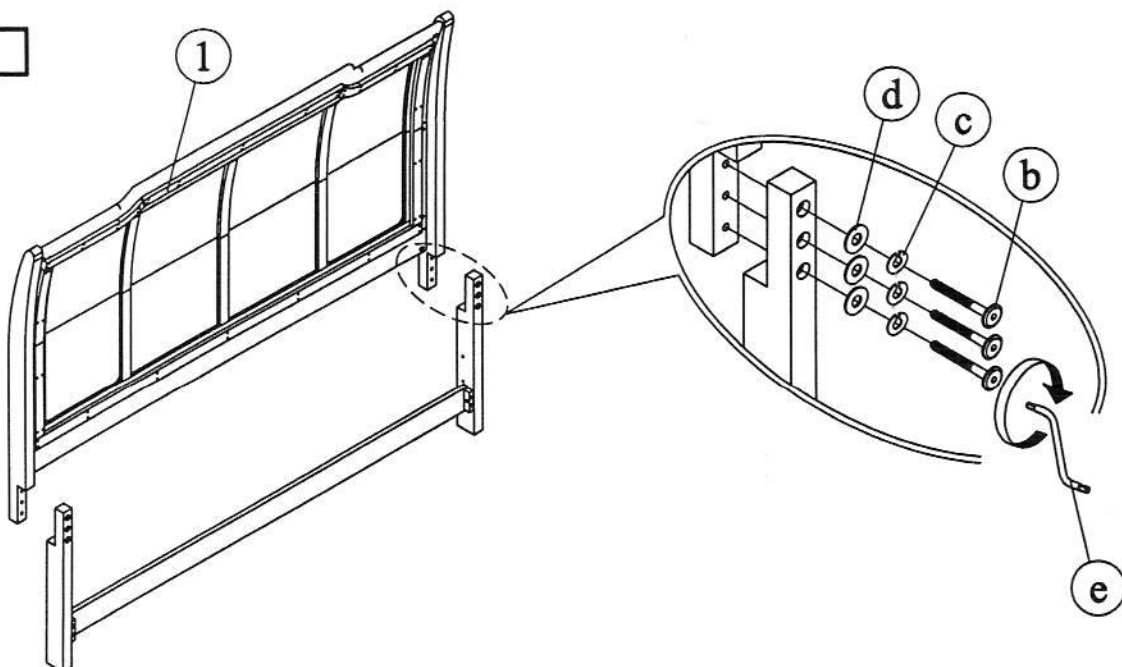
1. Screw Driver = (not included)



STEP 1

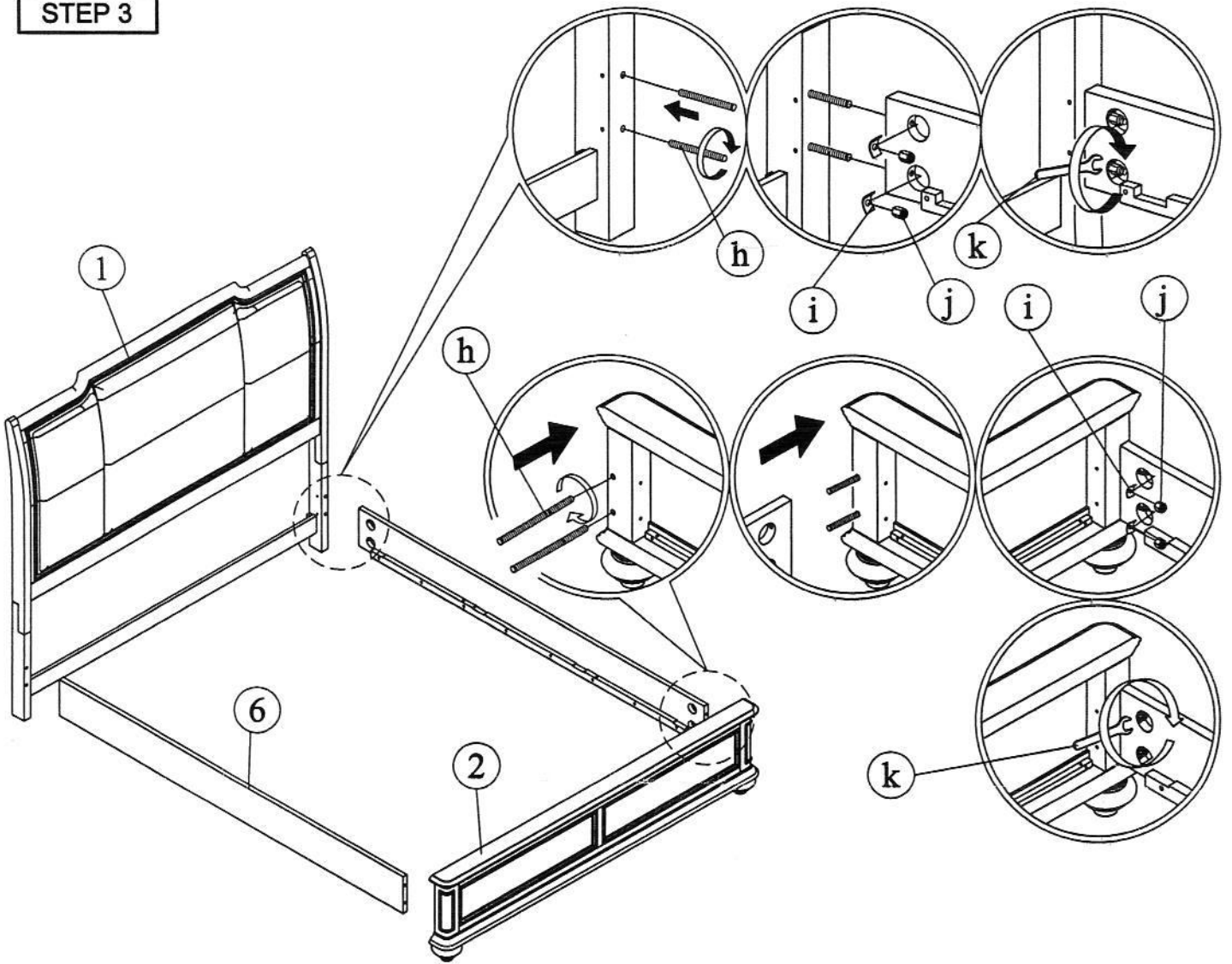


STEP 2



CAL.KING HEADBOARD
CAL.KING FOOTBOARD
CAL.KING RAILS

STEP 3



STEP 4

