

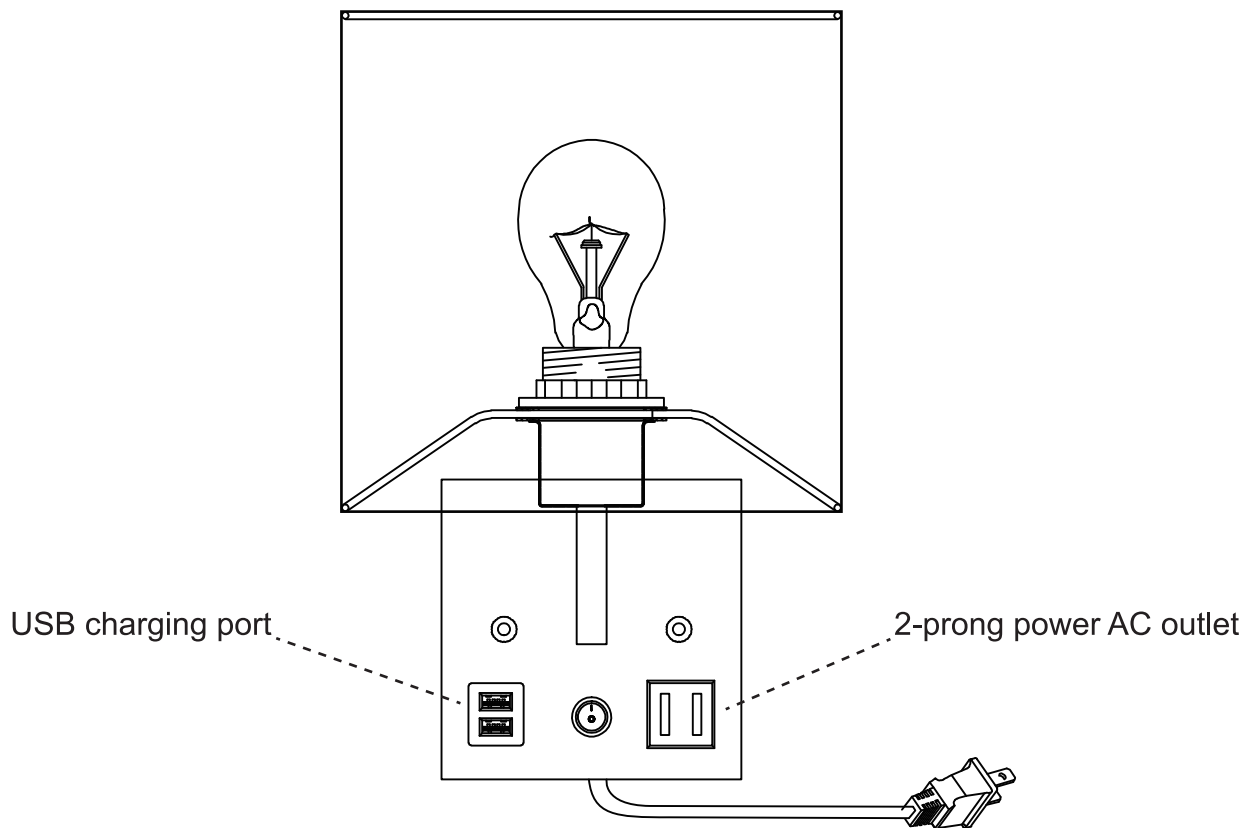
WARNING: (To avoid the risk of fire, electric shock, or injury to persons)

1. We suggest installing by a licensed electrician.

2. Please note before installation: turn off the power.

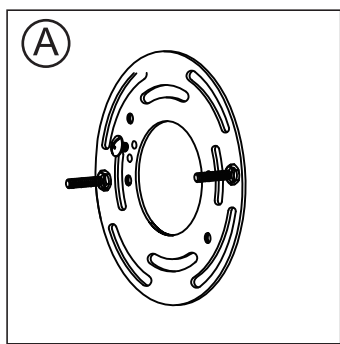
3. The situations presented in this manual are not meant to cover all situations that may occur.

Please understand that all electrical products must follow common sense and be cautious and careful.

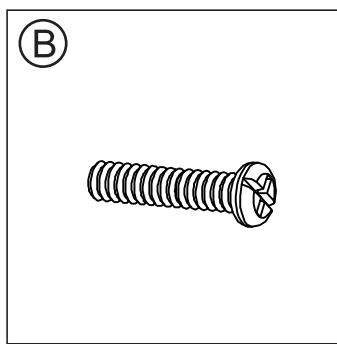


TOOLS REQUIRED (NOT INCLUDED):

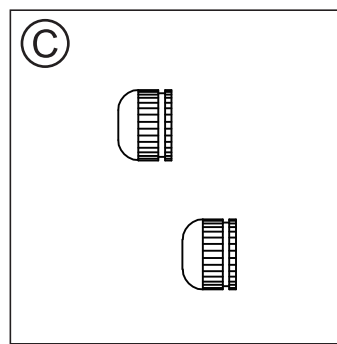
Before doing assembly and installation please prepare the needed tools as below picture



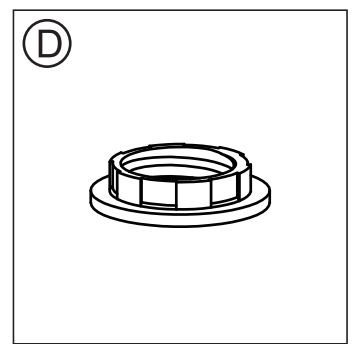
Mounting plate



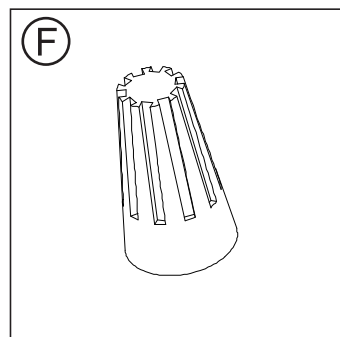
Mounting screw



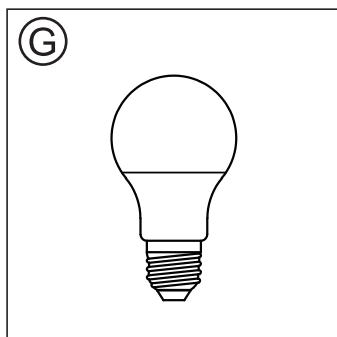
Ball nut



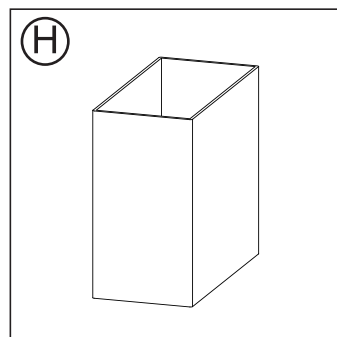
Socket ring



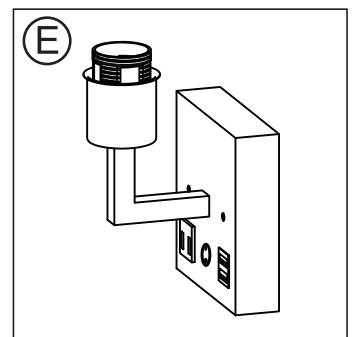
Plastic wire connector



Bulb

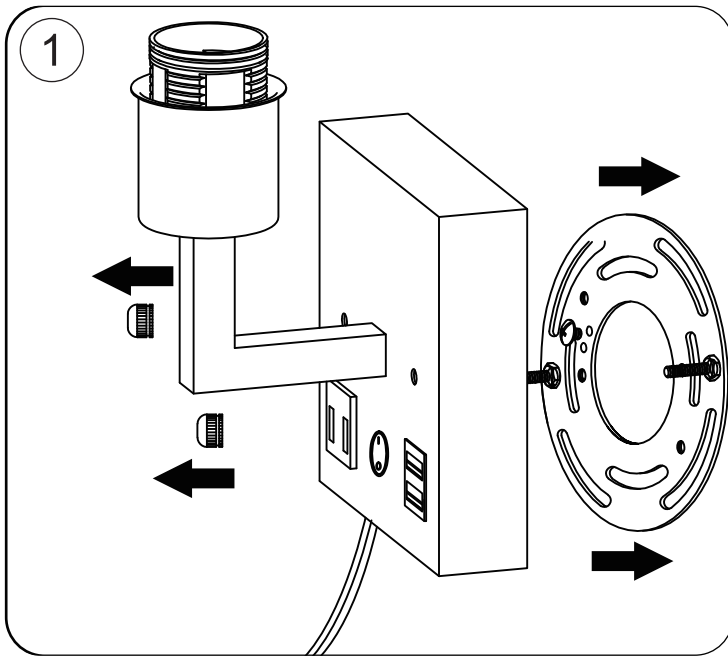


Lampshade

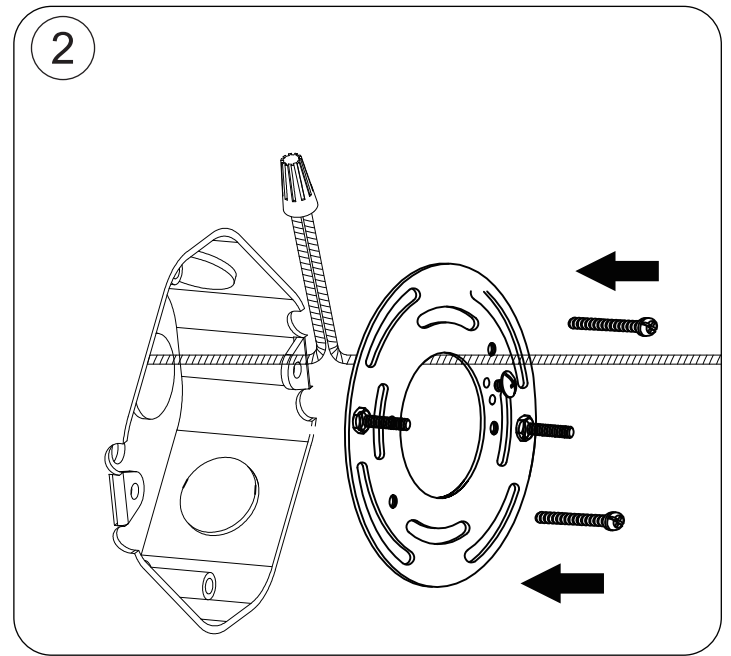


Base

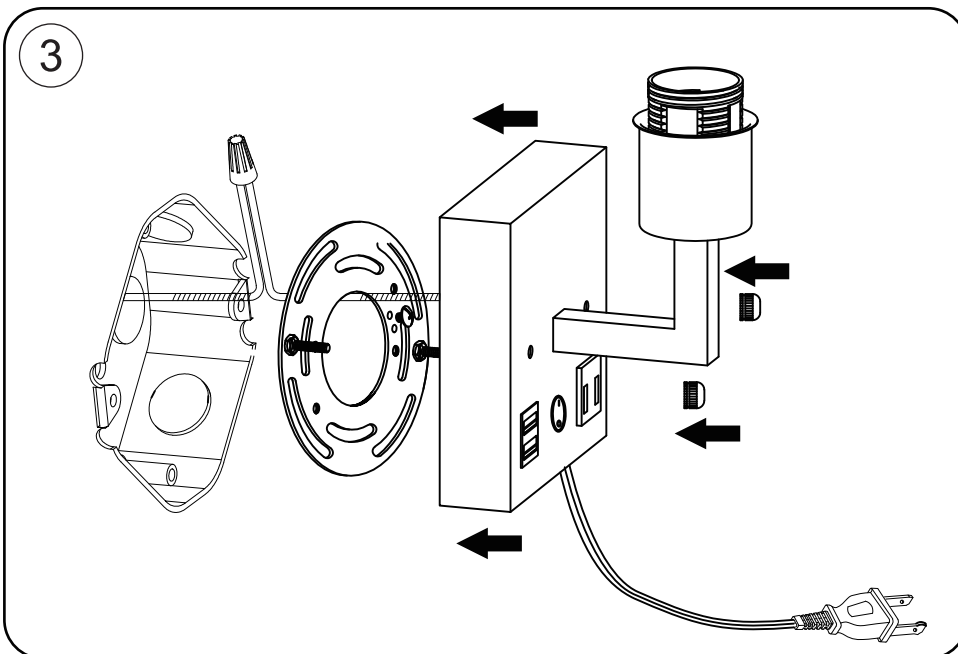
Plug In Installation (Please turn off the power before starting installation)



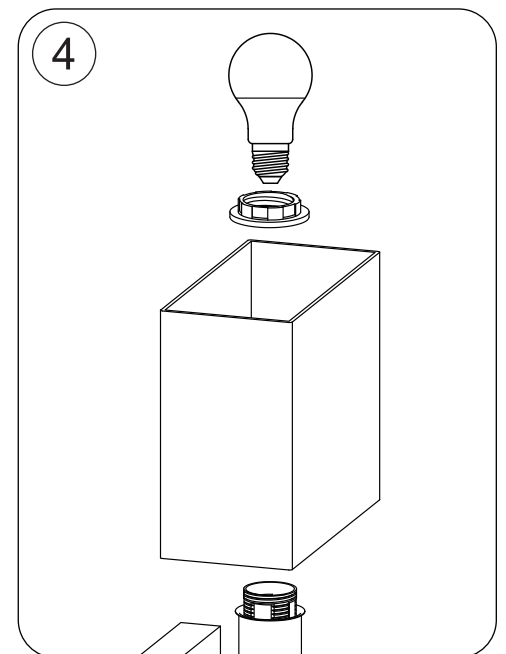
1
Unscrew the ball nuts (C) from base then carefully remove the mounting plate from base



2
Fix the mounting plate (A) on the wall in the desired position



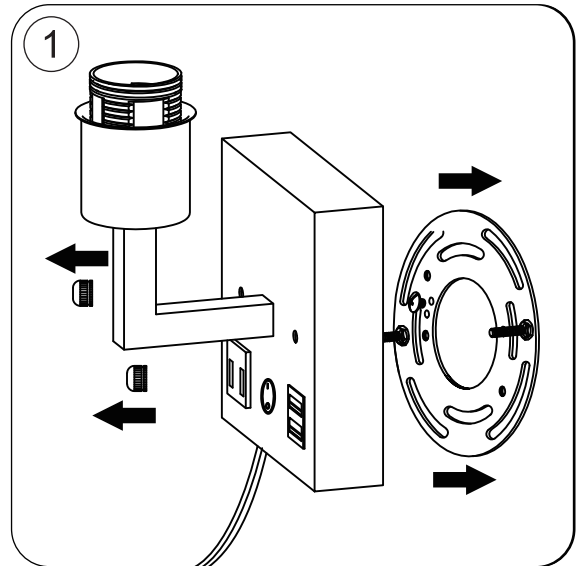
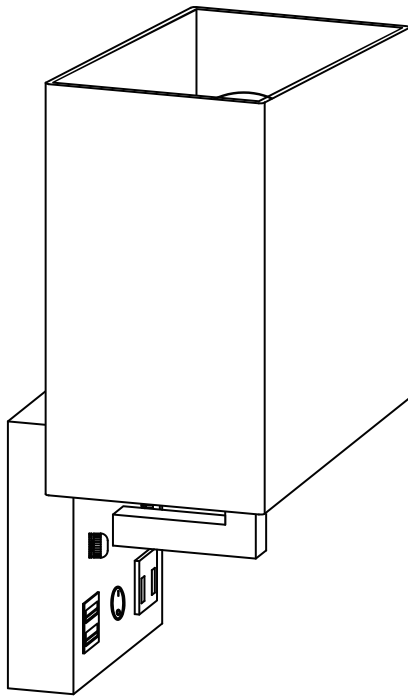
3
Make wire connections, then twist plastic wire connector (F) until wires are tightly joined together. Put the base (E) onto the mounting plate screws and secure with ball nuts



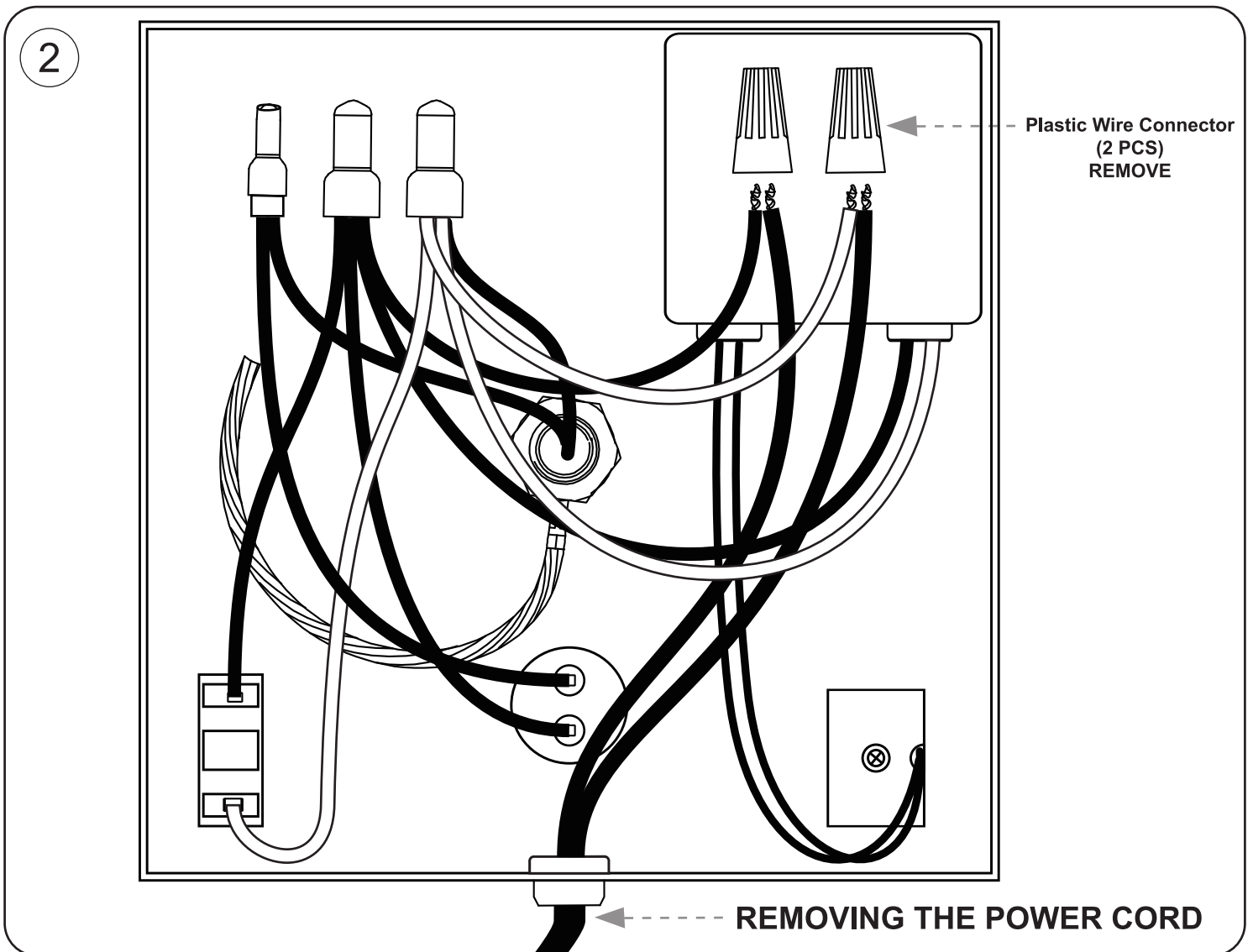
4
Install bulb (Included)

PLUG THE POWER CORD INTO AN OUTLET AND TURN ON AT SWITCH

Hardwired installation (Please turn off the power before starting installation)

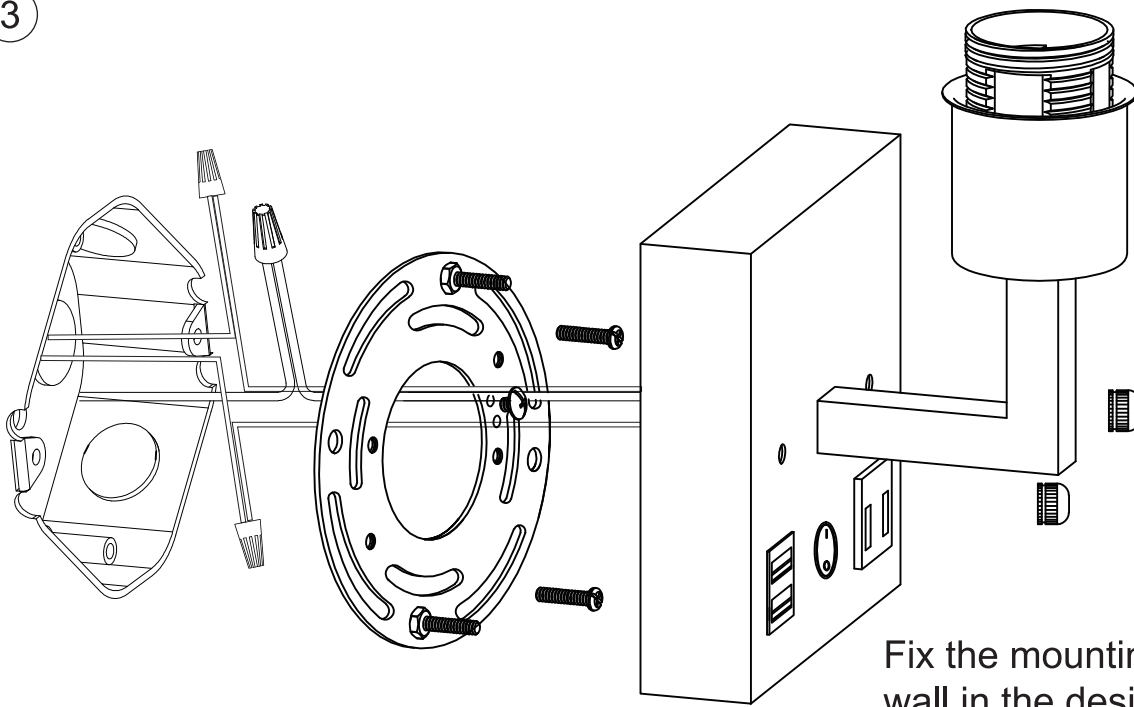


Unscrew the ball nuts from base then carefully remove the mounting plate from base



Removing the power cord (If it is difficult to pull it out, please use pliers to pull the power cord)

3



Fix the mounting plate on the wall in the desired position

FIXTURE WIRES

BLACK WIRES

WHITE WIRES

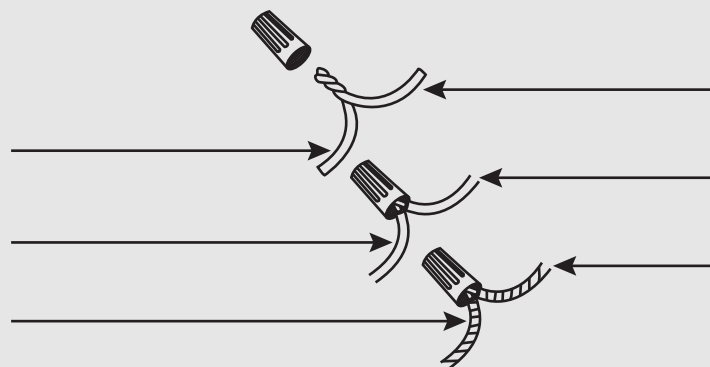
BARE COPPER
(Or Green)

HOUSE WIRES

BLACK
(Live)

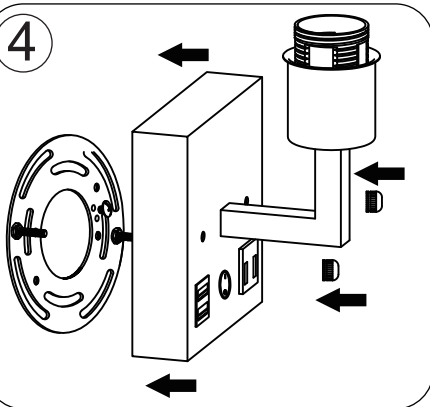
WHITE
(Neutral)

GREEN
(Ground)



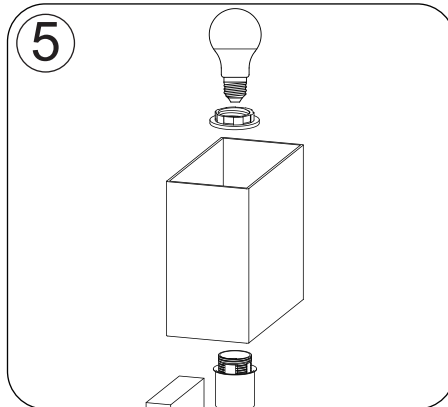
Carefully and gently pull the wires. The black wire and white wire are connected with your live-wires and neutral wire. Make wire connections, then twist plastic wire connector(F) until wires are tightly joined together, and carefully tuck all wires into the outlet box.

4



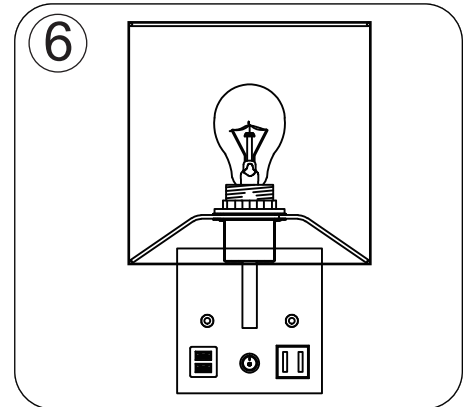
Put the base onto the mounting plate screws and secure with ball nuts.

5



Install bulb (included. Please do not exceed the maximum 60W) .

6



Turn on the power switch