

---

---

# STORAGE CABINET

User Manual

---

---

## INTRODUCTION

Thank you for choosing the Storage Cabinet. Please read this user manual carefully and keep it for future reference. If you need any assistance, please contact us by email with your order number and details.


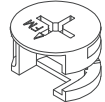


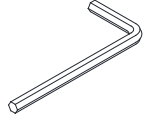
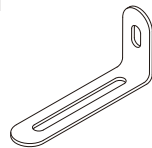




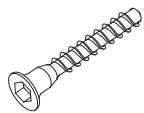

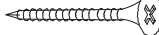
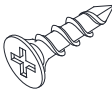
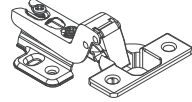
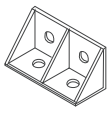


## PACKAGE CONTENTS

- Storage Cabinet
- Pack of Accessories
- User Manual

## PRODUCT CARE

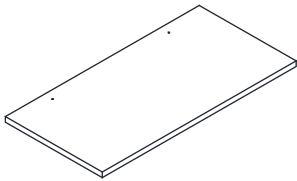
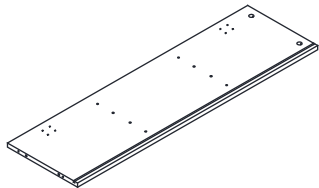
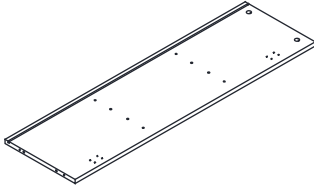
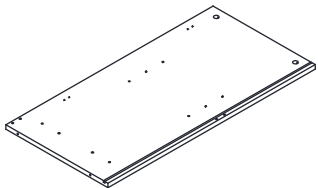
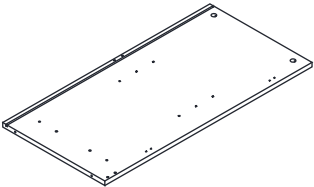
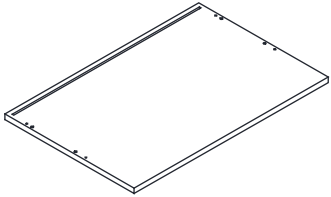
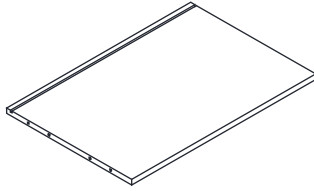
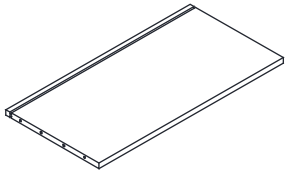
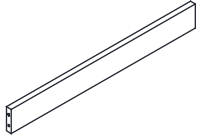
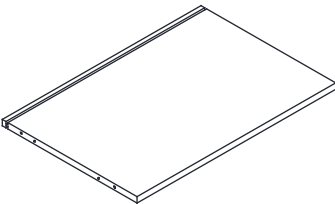
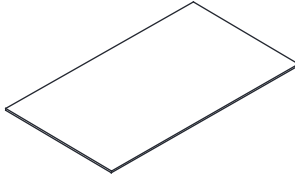
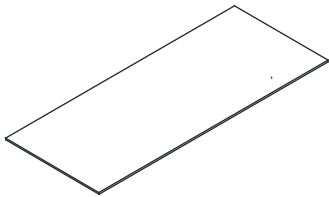
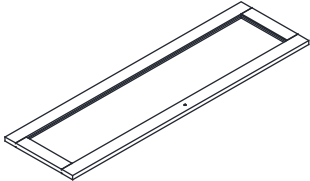
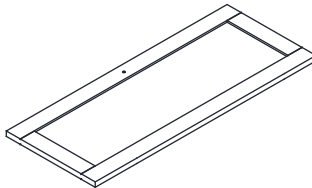
- Please follow the instruction to assemble this item correctly.
- Don't make the screws be too loose or too tight.
- Please put the screws into the holes' position just as shown in the arrows of the image, and then clockwise rotate 90° or 180°
- The fittings pack contains small accessories that should be kept away from small children.

## HARDWARE SUPPLIED

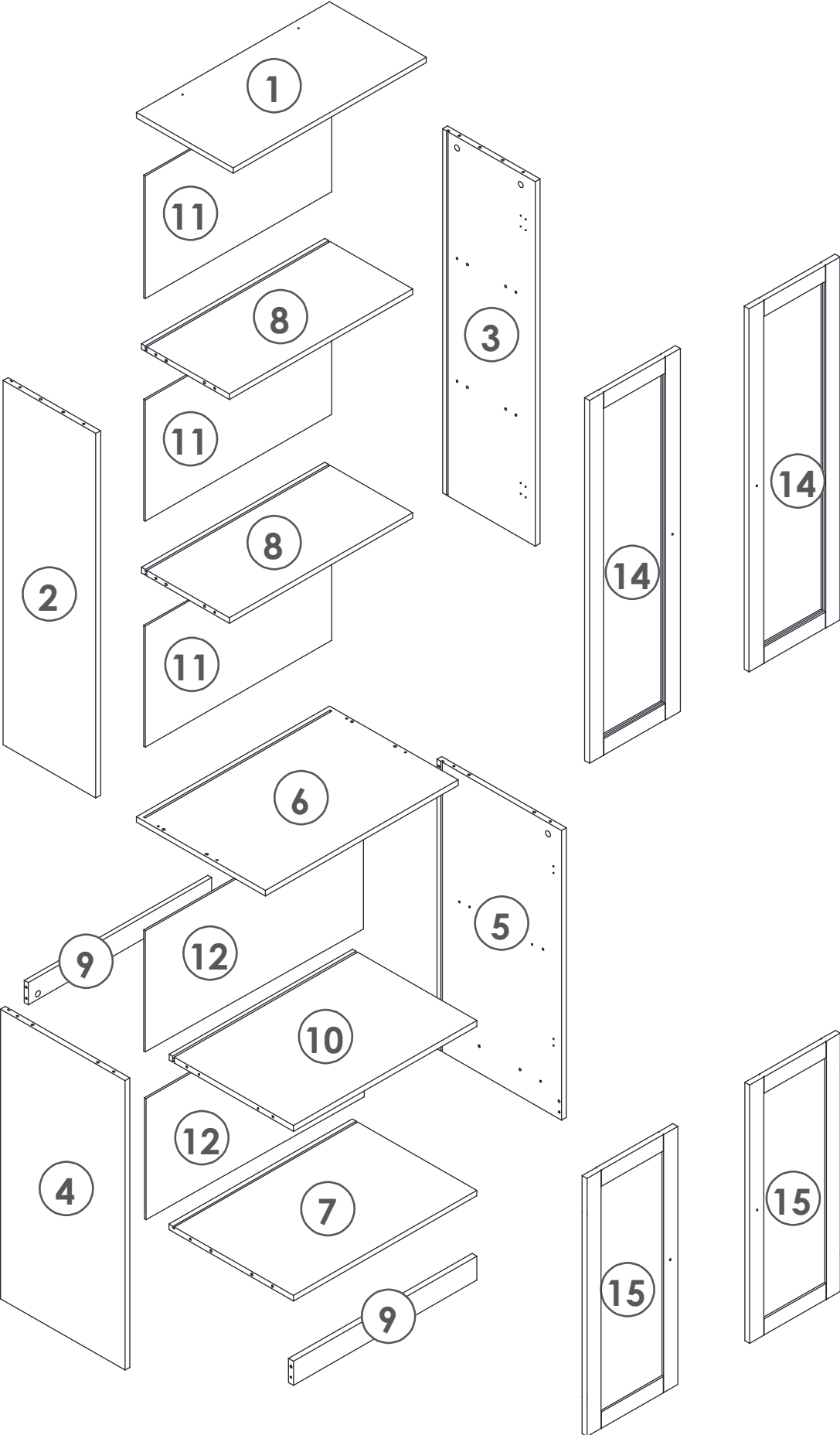
<b>A</b>  x28	<b>B</b>  x28	<b>C</b>  x32	<b>D</b> M3*14mm  x20	<b>E</b>  x1
<b>F F1</b>  x2	<b>F2</b>  x2	<b>G</b>  x4	<b>H</b>  x4	<b>I</b>  x20
<b>J</b> M7*40mm  x4	<b>K</b>  x2	<b>L</b>  x2	<b>M</b> M4*14mm  x52	<b>N</b>  x8
<b>O</b>  x2	<b>P</b>  x28	<b>Q</b>  x6		

# PARTS LIST

Unit: (mm)

<p>① 600*300</p>  <p>x1</p>	<p>② 985*287</p>  <p>x1</p>	<p>③ 985*287</p>  <p>x1</p>	<p>④ 787*388</p>  <p>x1</p>
<p>⑤ 787*388</p>  <p>x1</p>	<p>⑥ 600*400</p>  <p>x1</p>	<p>⑦ 566*388</p>  <p>x1</p>	<p>⑧ 567*268</p>  <p>x2</p>
<p>⑨ 567*63.5</p>  <p>x2</p>	<p>⑩ 567*370</p>  <p>x1</p>	<p>⑪ 572*326</p>  <p>x3</p>	<p>⑫ 572*357</p>  <p>x2</p>
<p>⑭ 978*280</p>  <p>x2</p>	<p>⑮ 700*280</p>  <p>x2</p>		

# PANEL LAYOUT



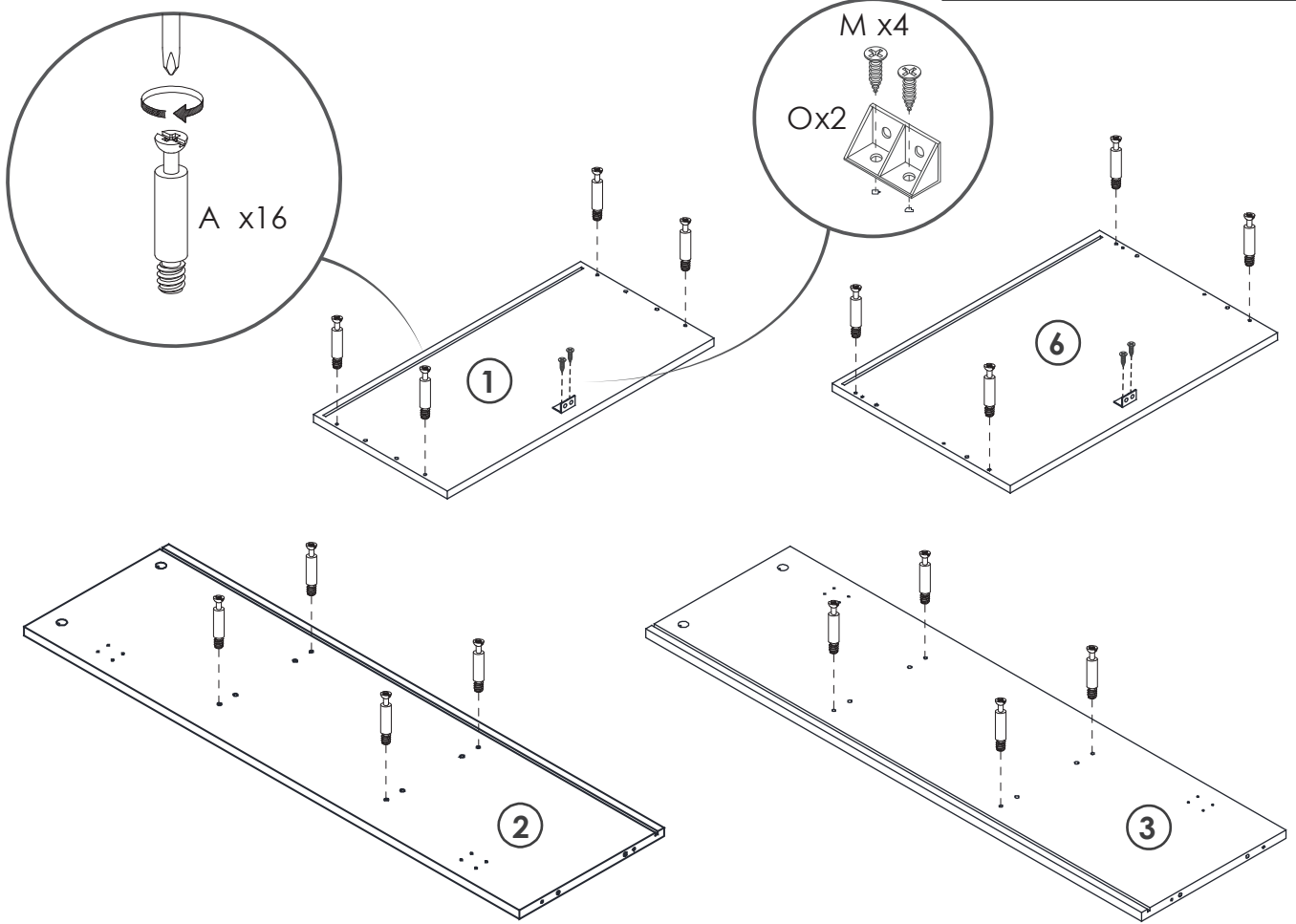
1

**YOU WILL NEED**

A x16

Ox2

M x4

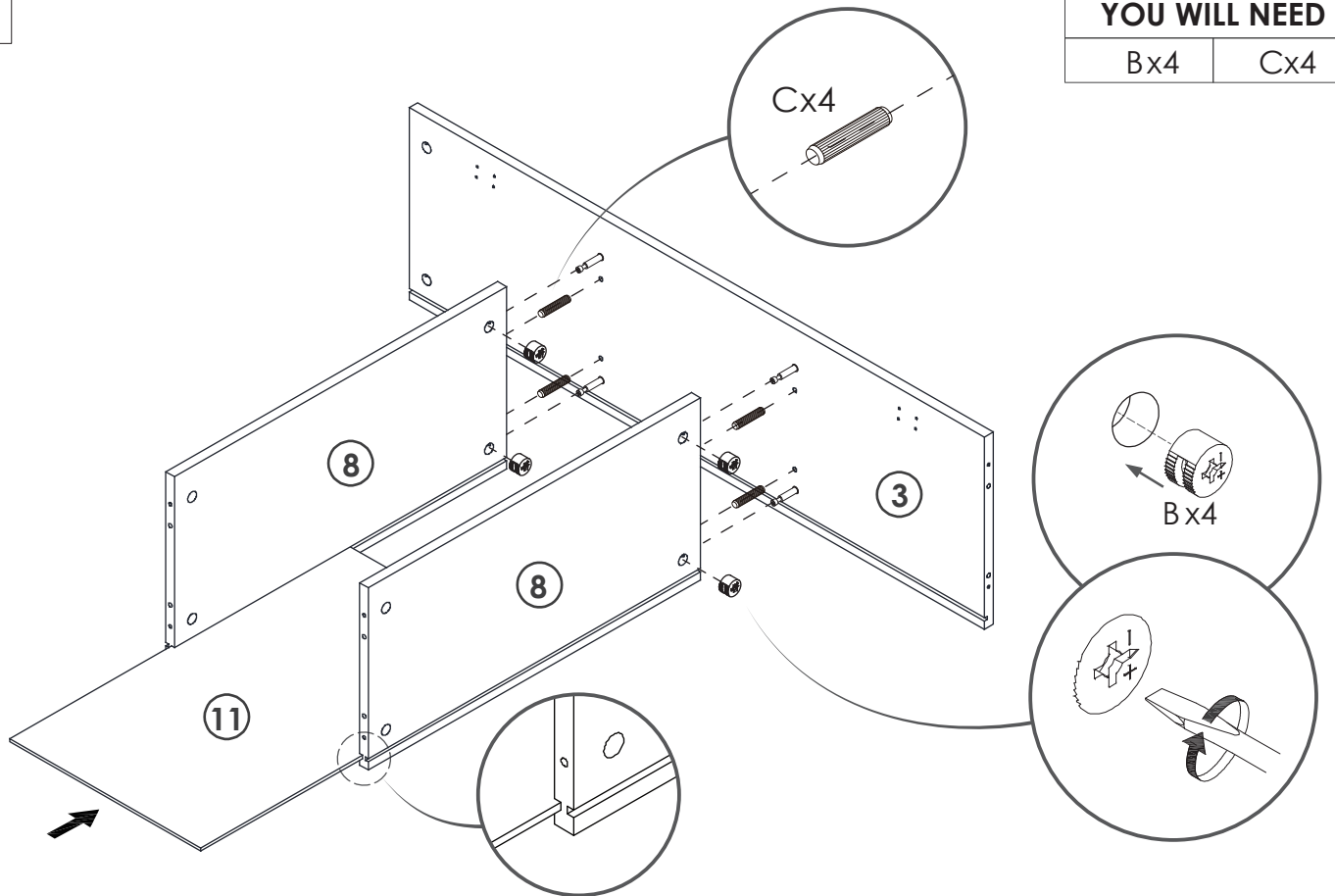


2

**YOU WILL NEED**

Bx4

Cx4

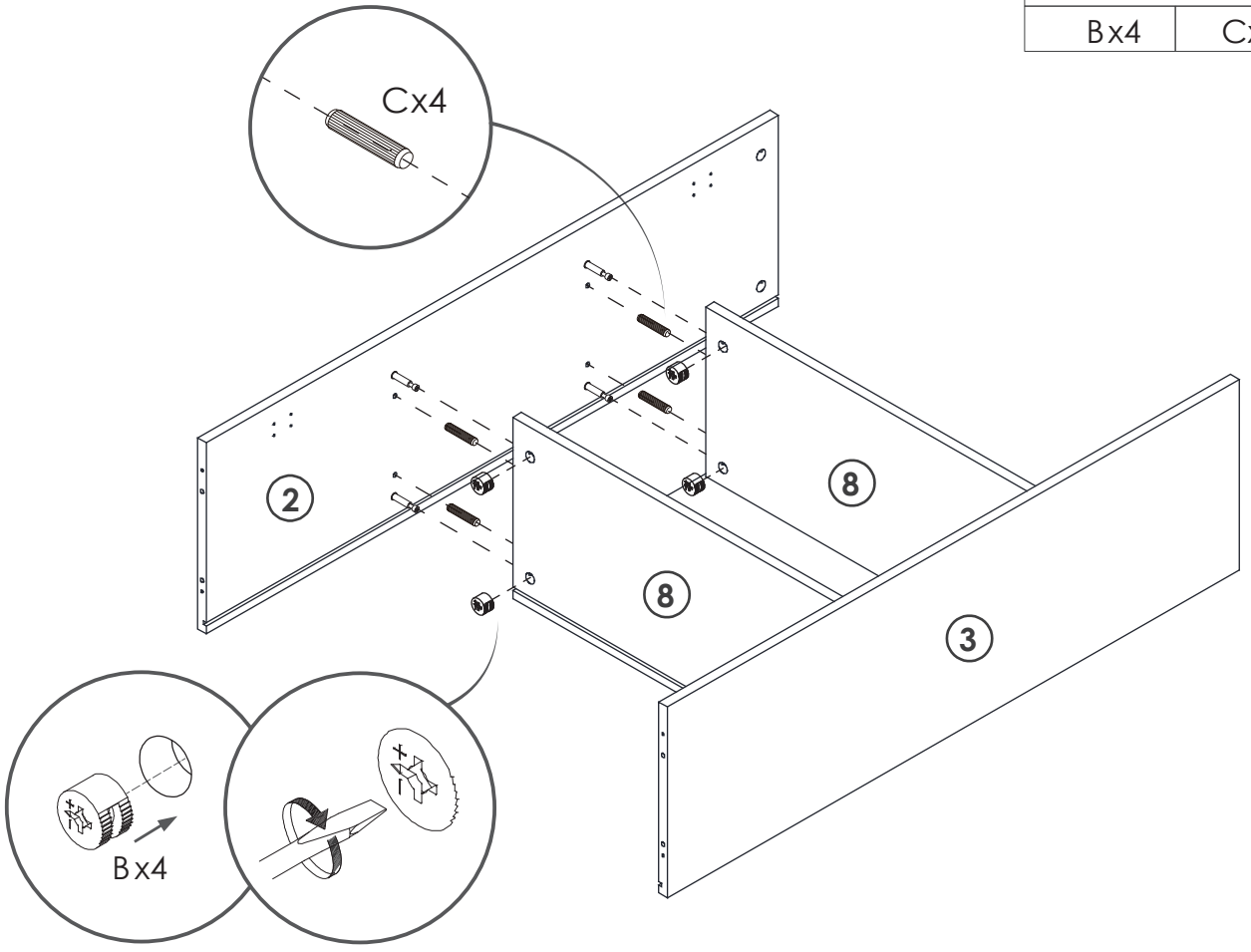


3

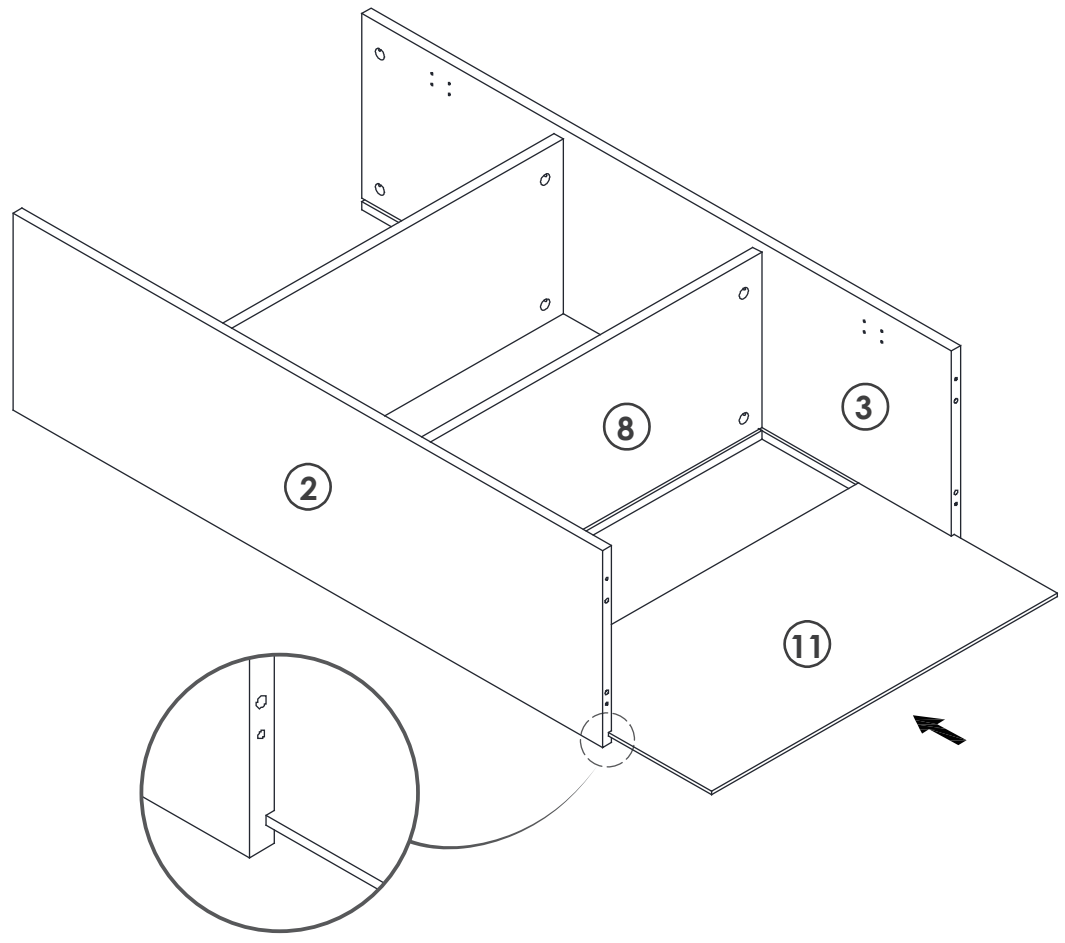
**YOU WILL NEED**

Bx4

Cx4



4



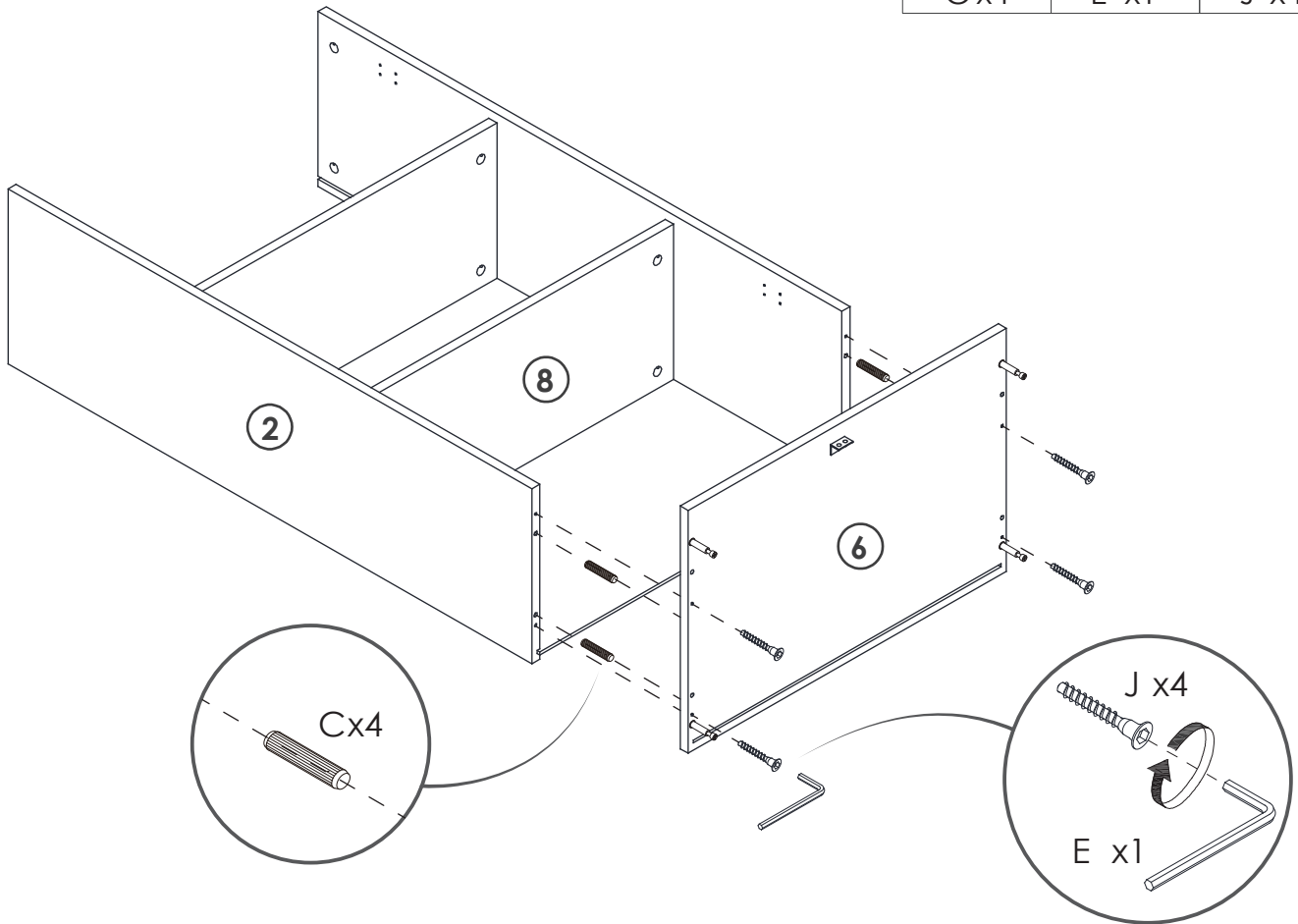
5

**YOU WILL NEED**

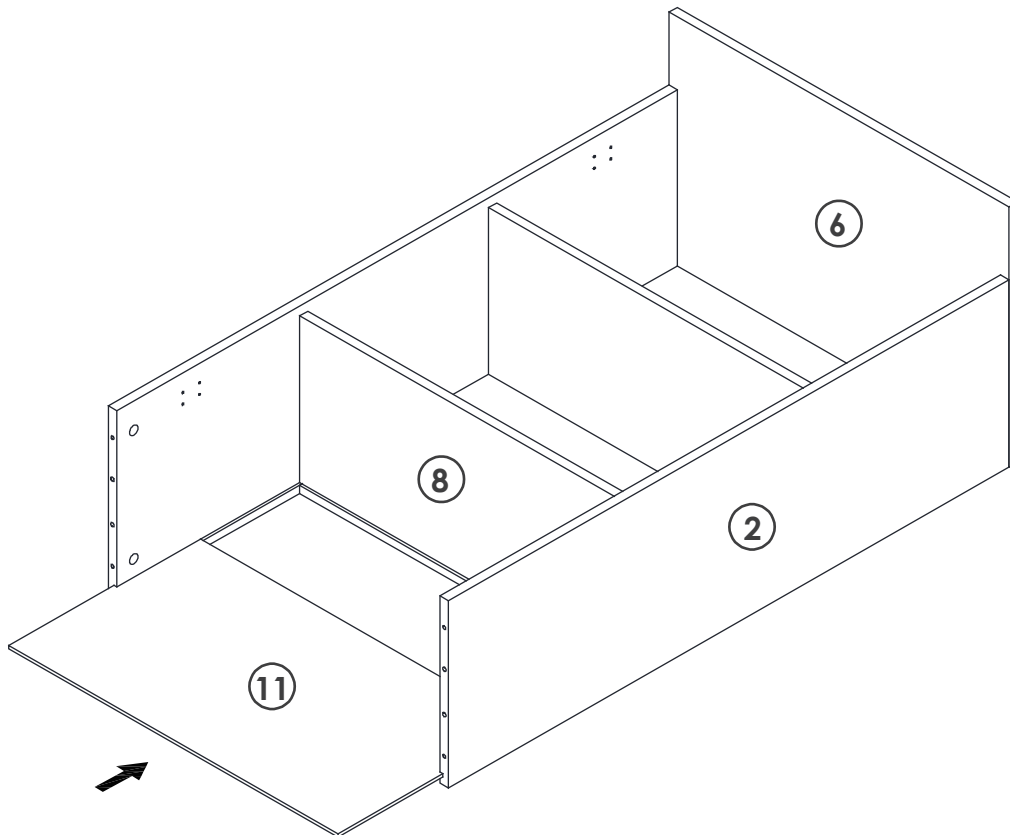
C x4

E x1

J x4



6



7

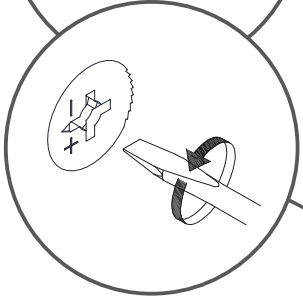
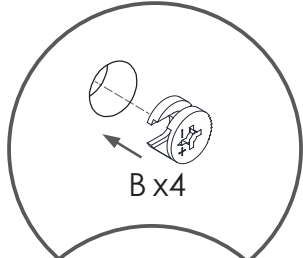
**YOU WILL NEED**

B x4

C x4

F<sub>1</sub> x2

F<sub>2</sub> x2

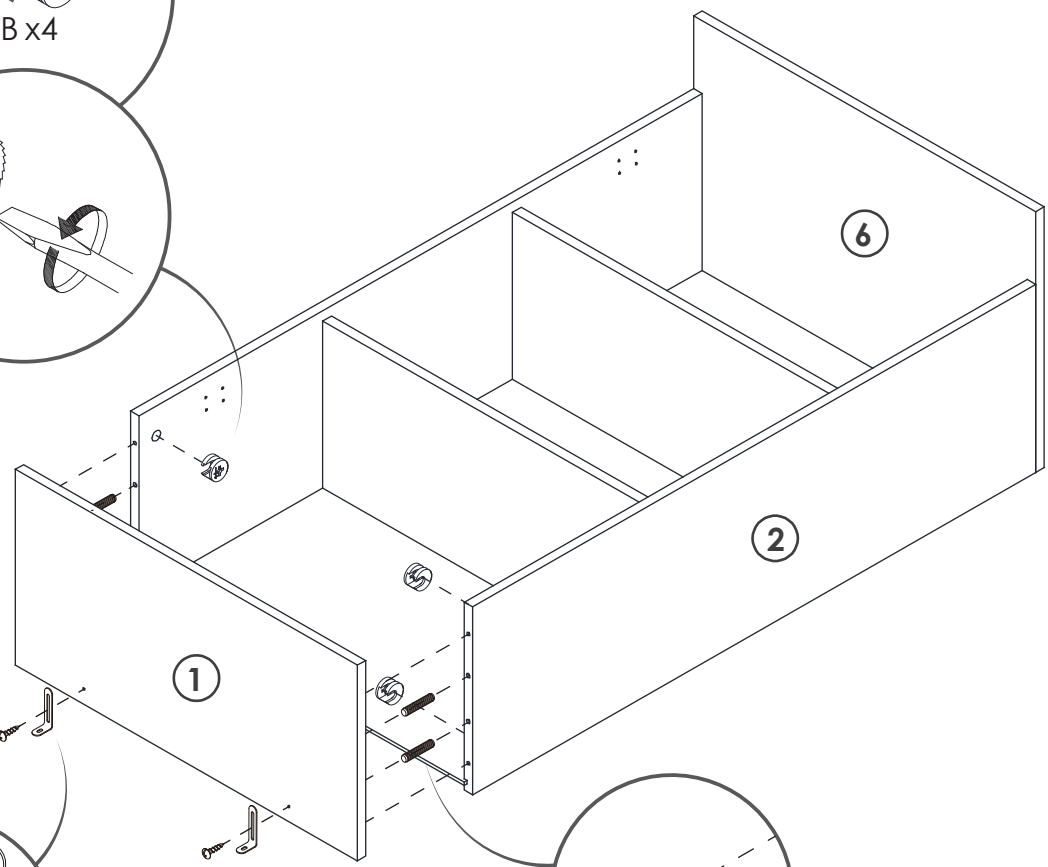


B x4

F<sub>1</sub> x2

F<sub>2</sub> x2

C x4

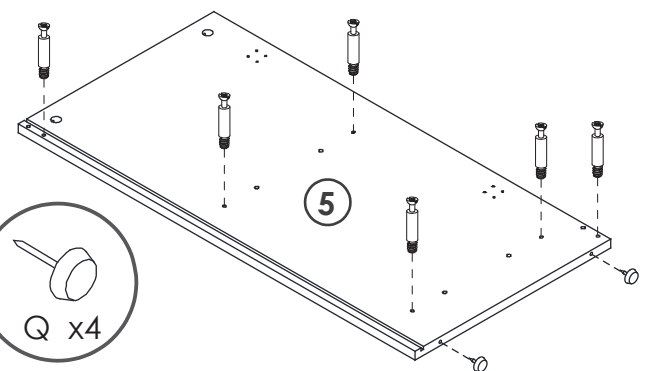
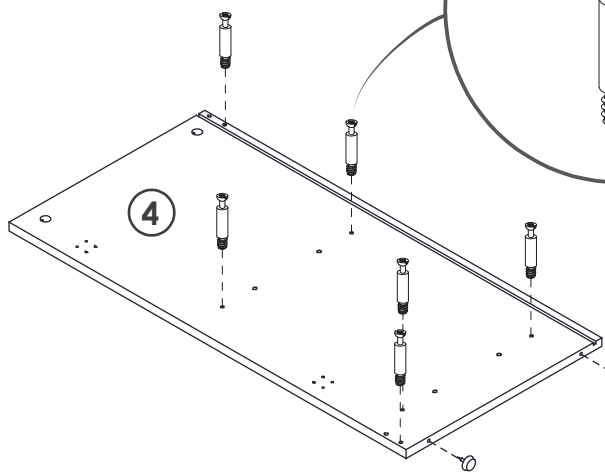
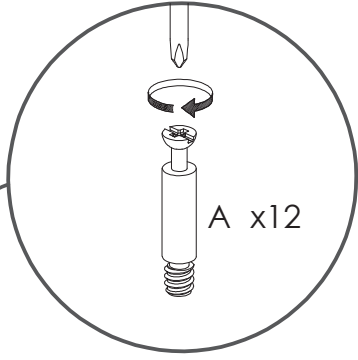


8

**YOU WILL NEED**

A x12

Q x4



Q x4

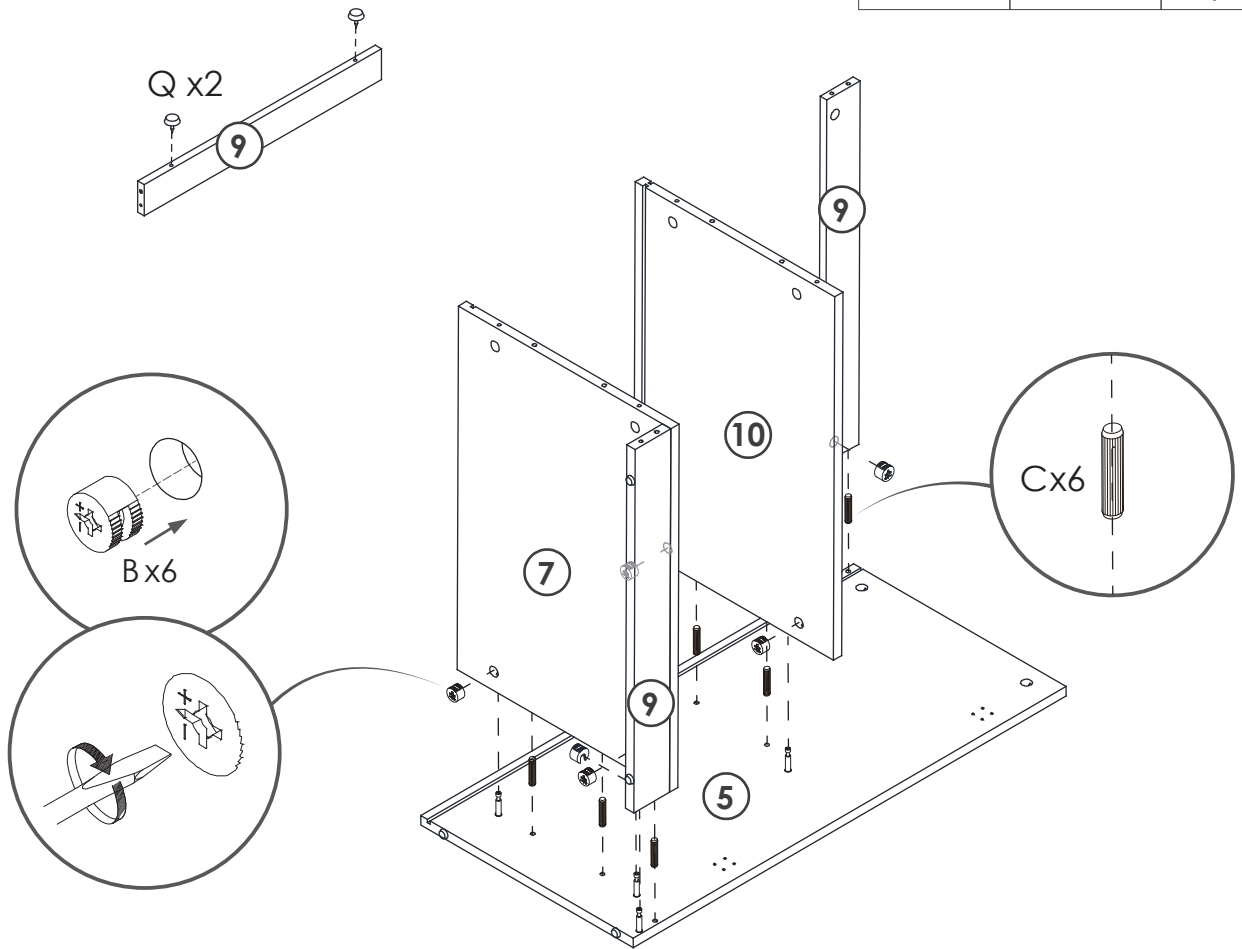
9

**YOU WILL NEED**

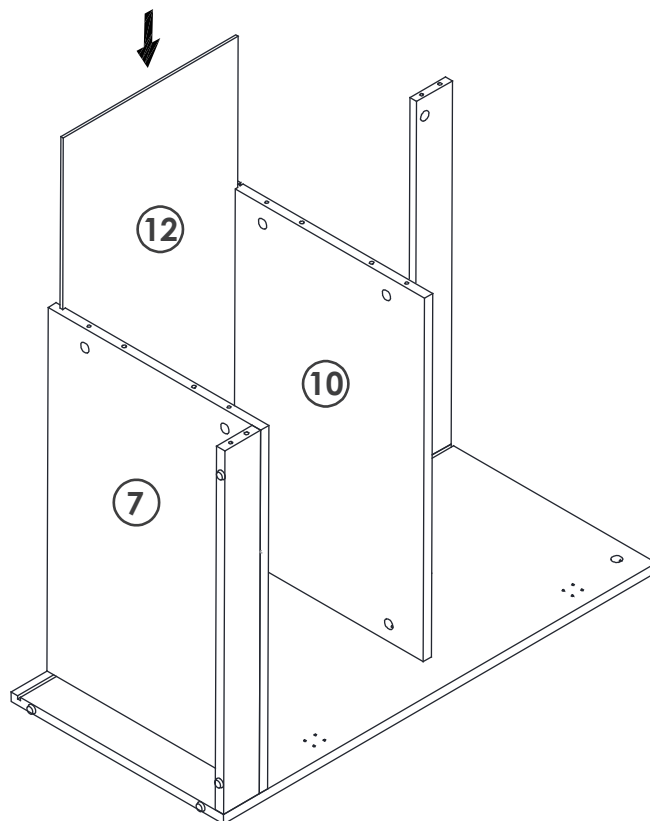
B x6

C x6

Q x2



10

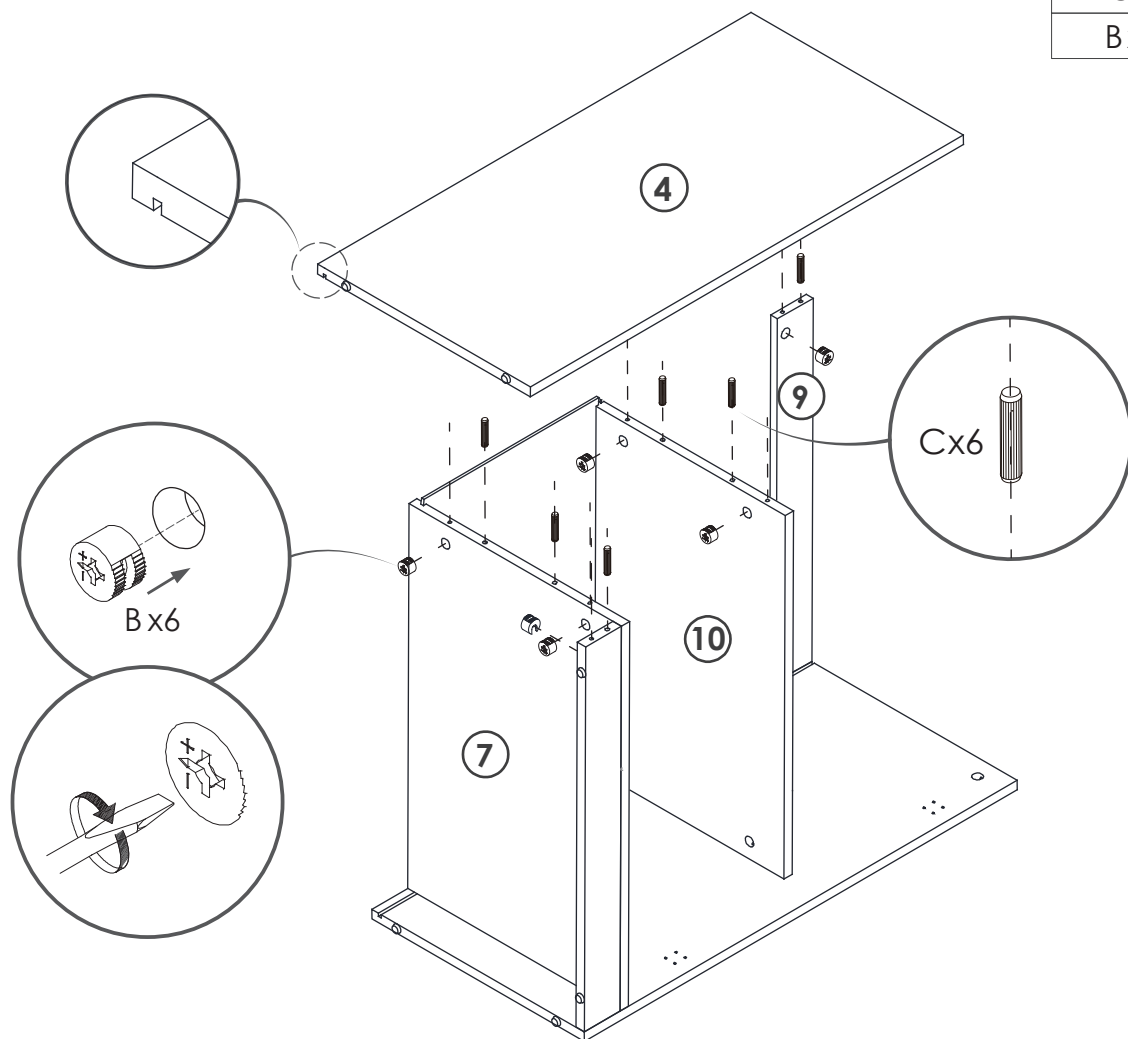


11

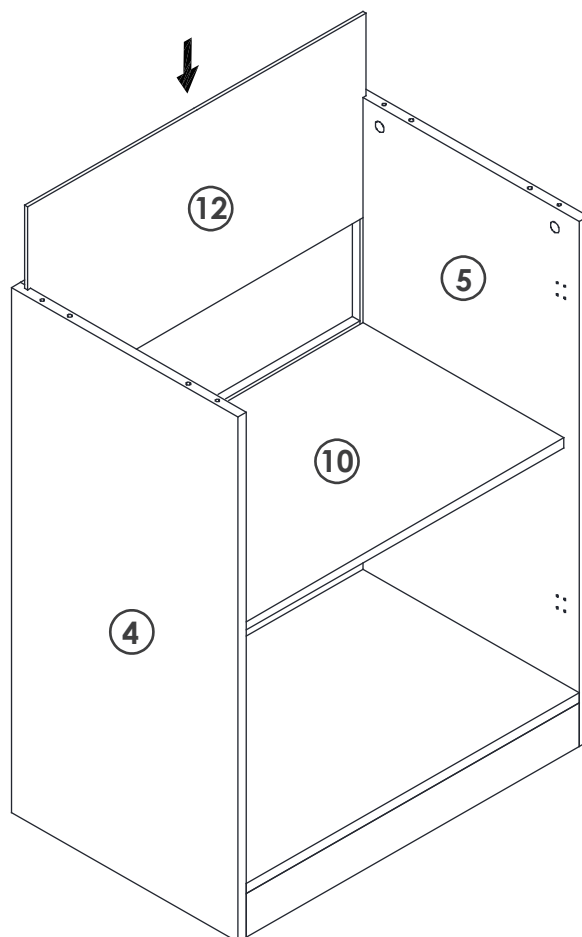
**YOU WILL NEED**

Bx6

Cx6



12

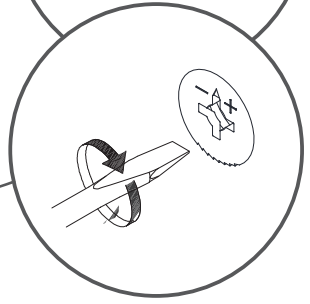
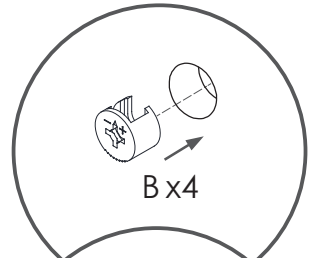
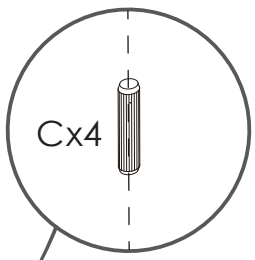
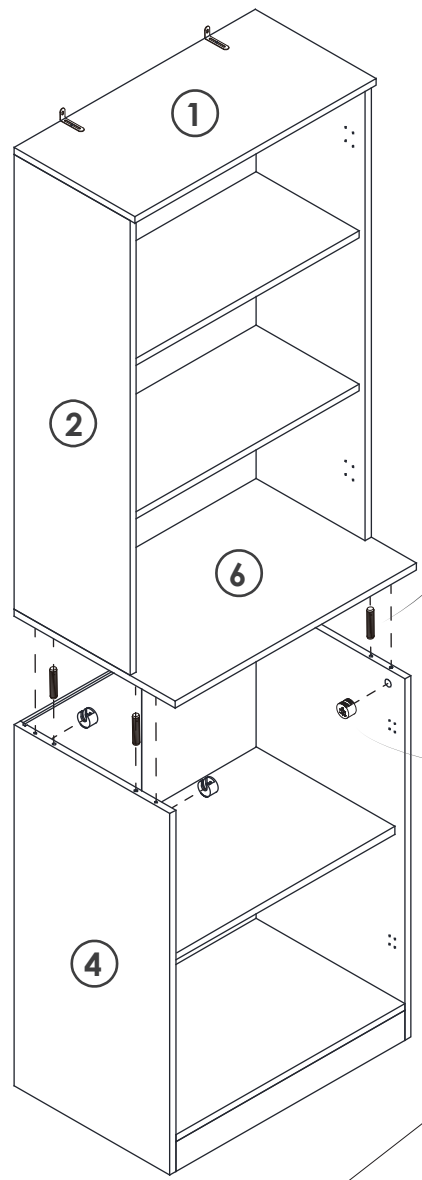


13

**YOU WILL NEED**

Bx4

Cx4

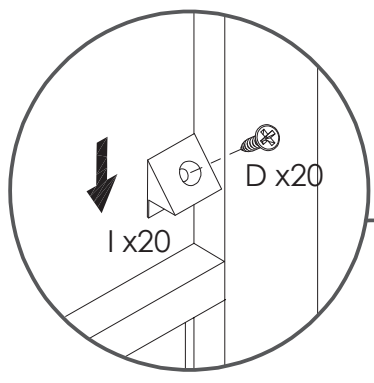
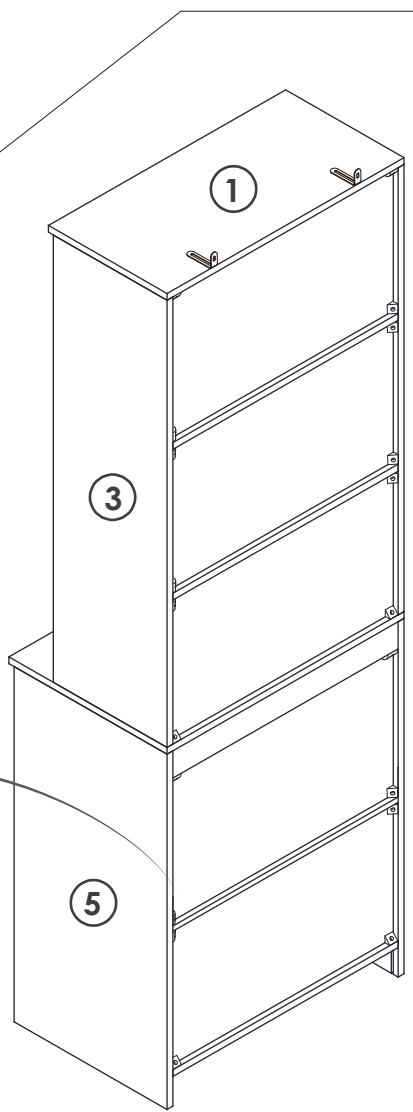


**YOU WILL NEED**

Dx20

I x20

14

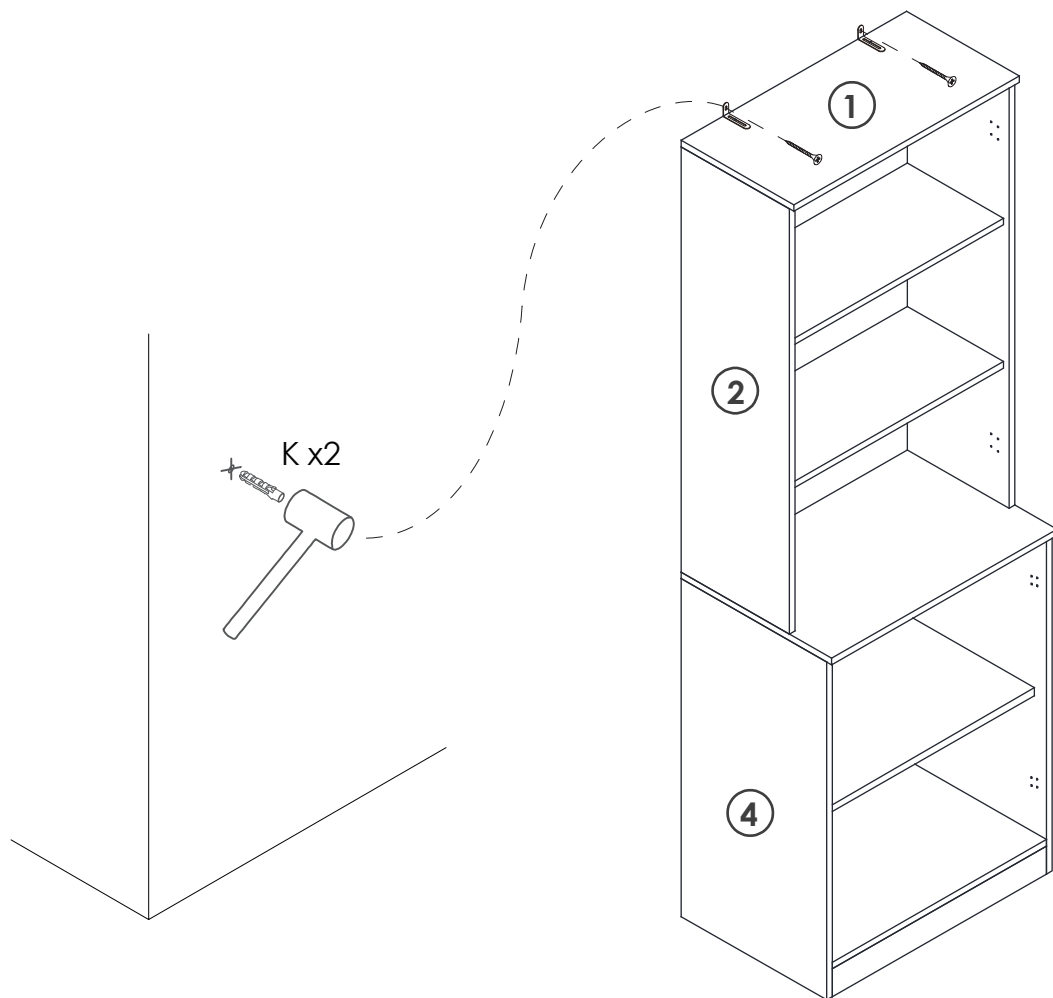


15

**YOU WILL NEED**

K x2

L x2



16

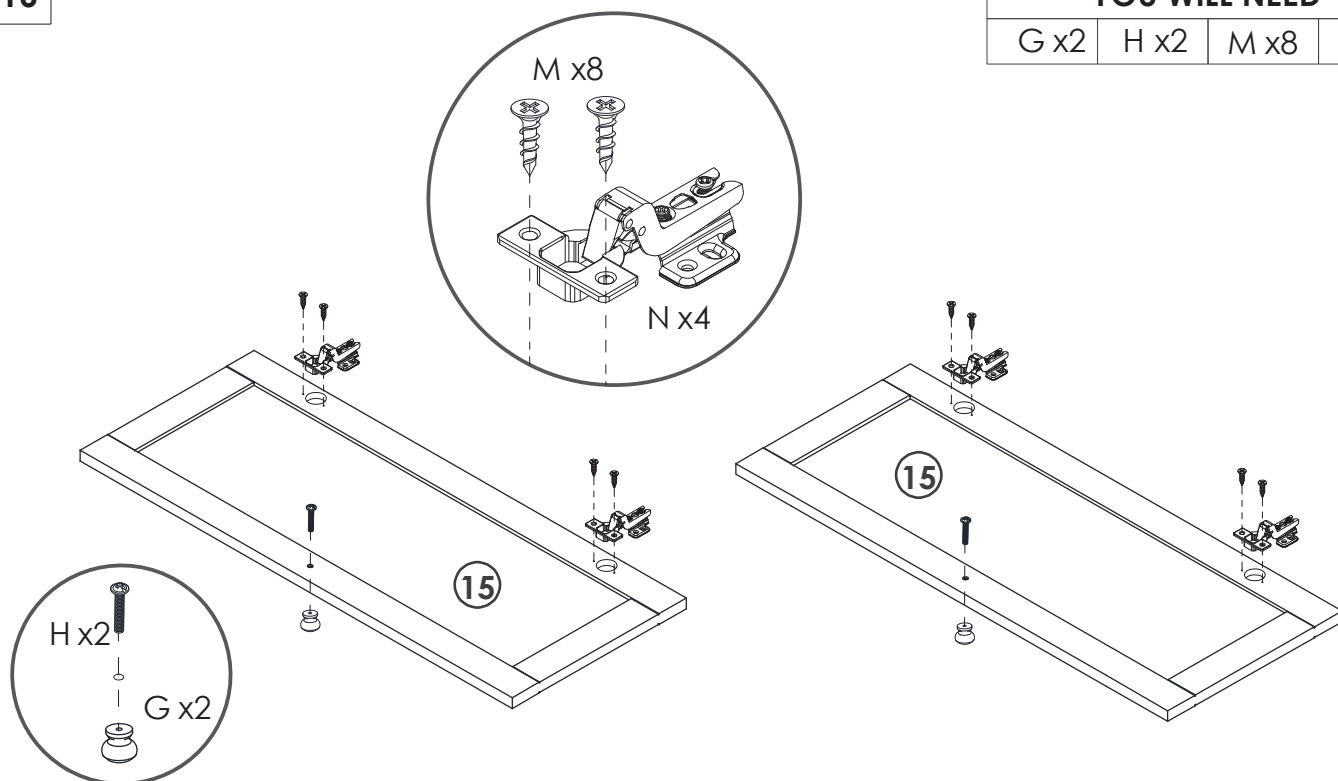
**YOU WILL NEED**

G x2

H x2

M x8

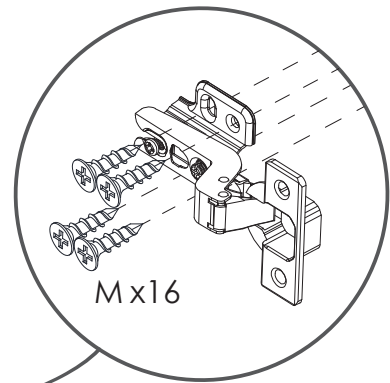
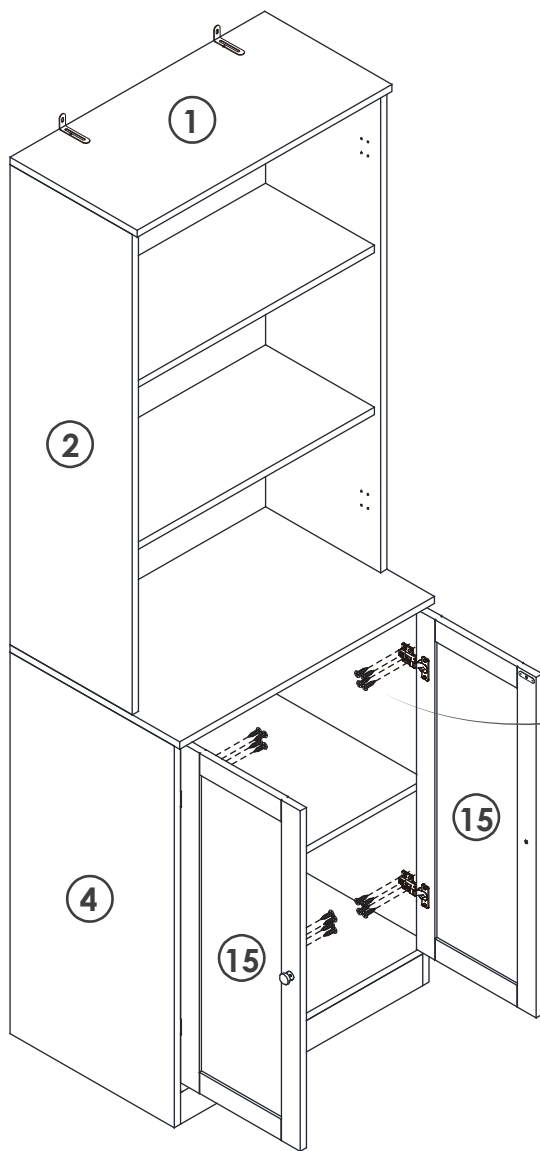
N x4



17

**YOU WILL NEED**

M x16



18

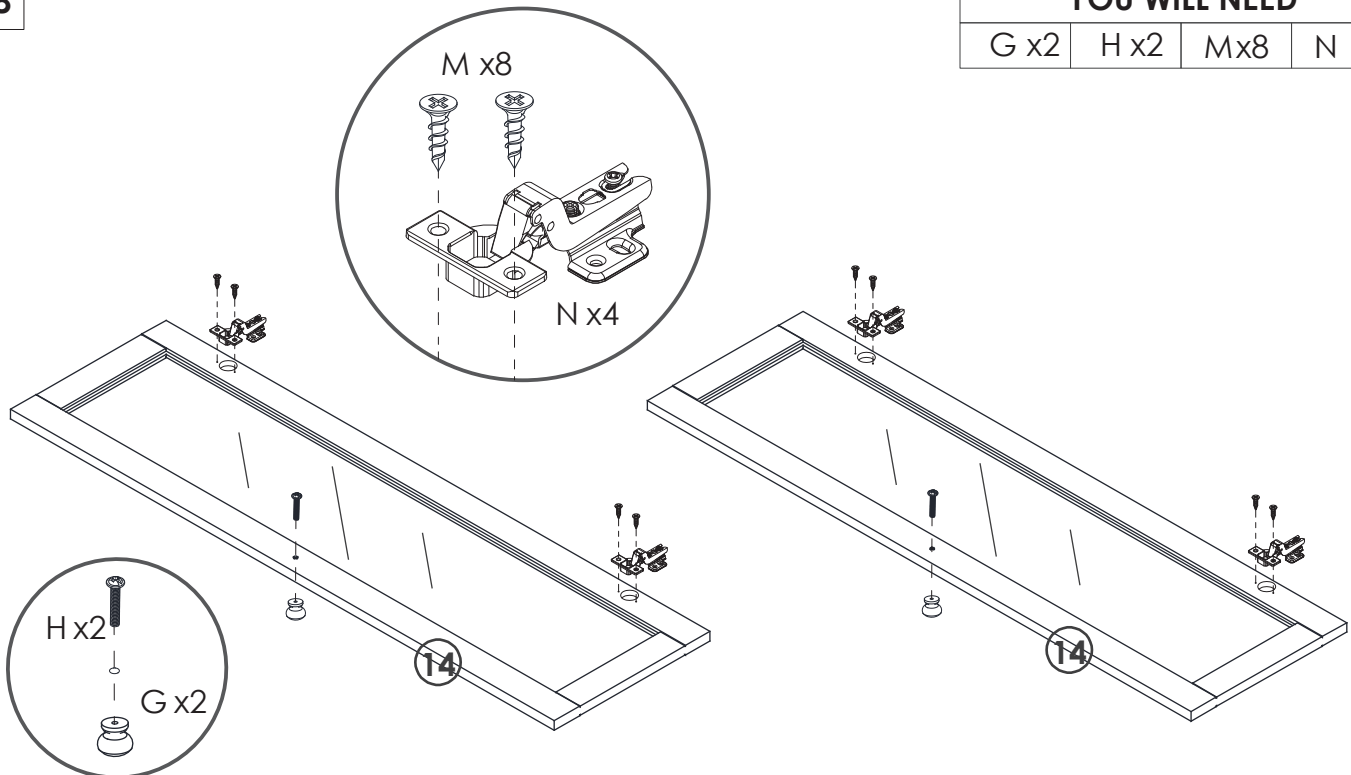
**YOU WILL NEED**

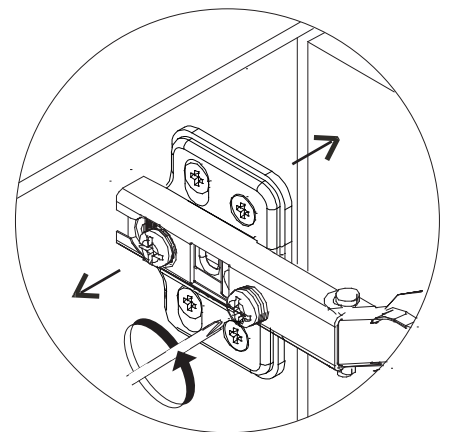
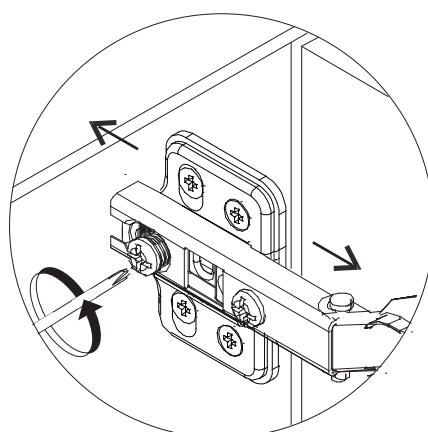
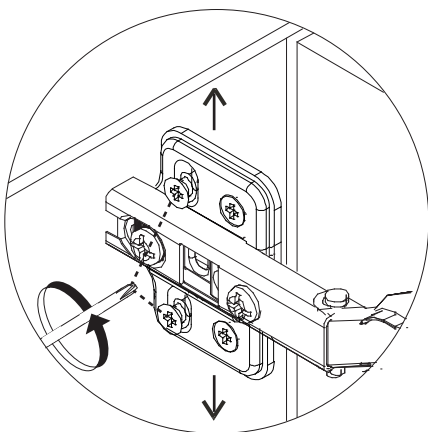
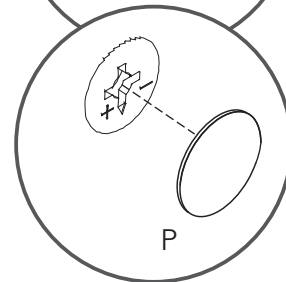
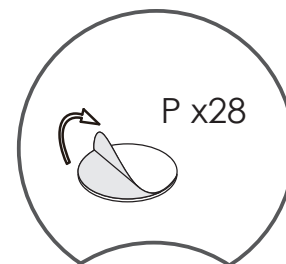
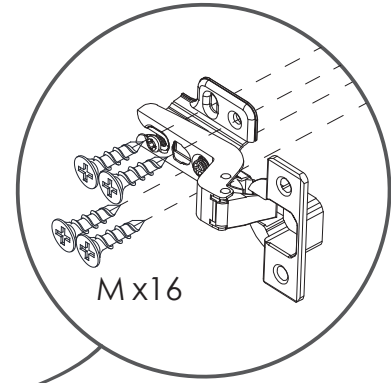
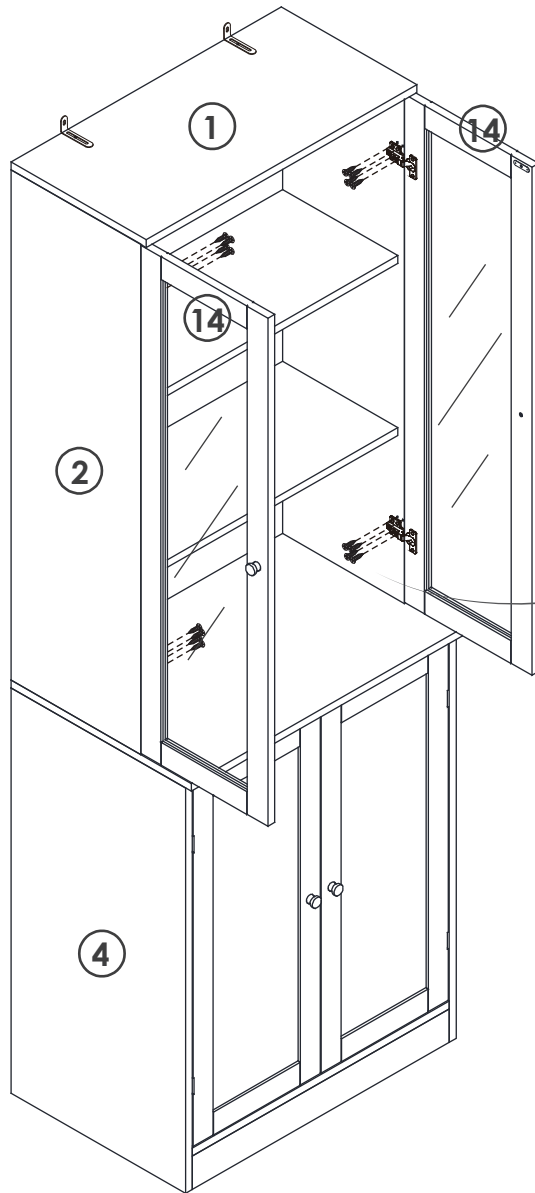
G x2

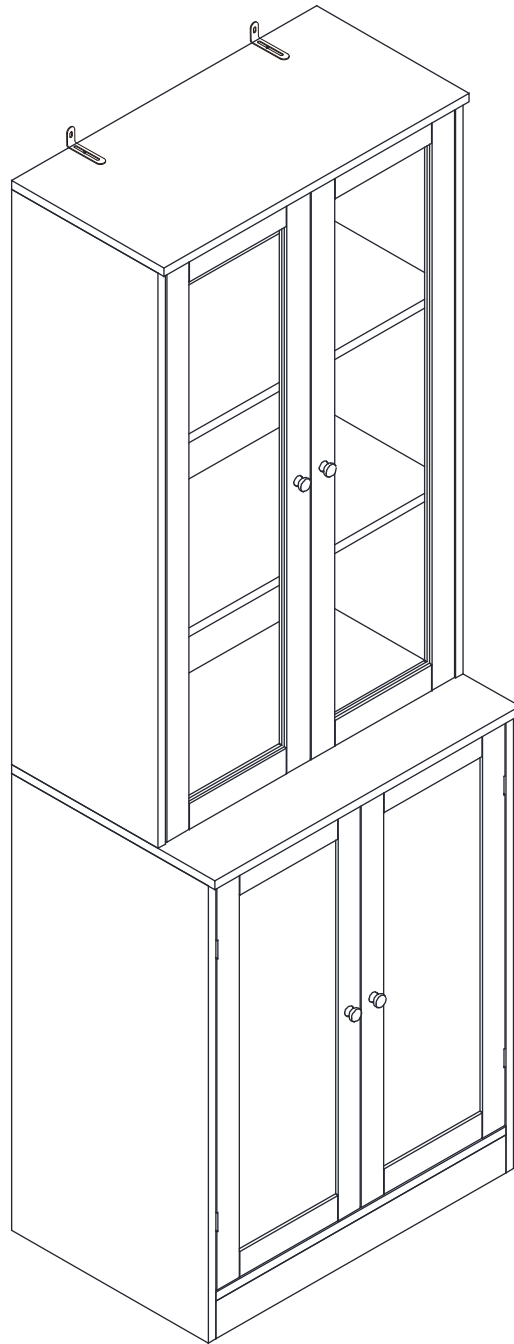
H x2

M x8

N x4







## GUARANTEE

Guarantee offers a **90-days** warranty that begins on the date of the original purchase and applies to problems caused by the manufacturer. For questions, assistance, or support, please contact the Customer Service by e-mail with your order number and details. We will send you further information about the solution.