

20 : 00

---

estimated assembly +  
installation time



2 or more

---

people required

Ok, let's  
get started!



- Put on mood music!
- To prevent damage to product, use the clean side of package carton or rug as working surface
- In the event of missing or damaged parts, delivery problems etc., please reach out to our team.  
We will be happy to fix the problem!

# care guide

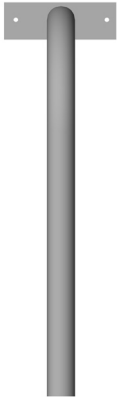
- Clean regularly with a soft and dry cloth.
- To protect finish, avoid use of abrasive cleaners.
- Wipe up spills immediately. Please!

---

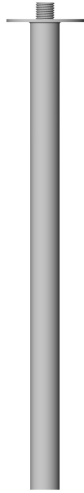
ⓘ **While assembling the product, tighten the bolts up to 50%. Once all parts are in place, only then fully tighten the bolts.**



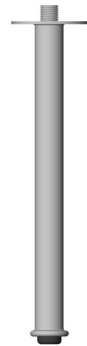
# product parts



A  
Top Assembly Pipe  
x2



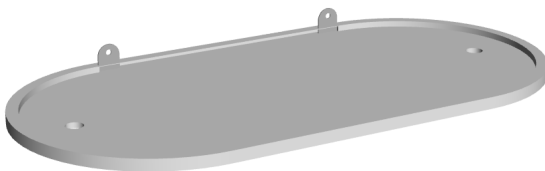
C  
Middle Assembly Pipe  
x8



D  
Legs  
x2



B  
Metal Shelf  
x4

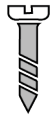


E  
Metal Shelf  
x1

# what's included



(F) -Wall Plug  
x6



(G) -Screw  
(M4x38mm)  
x6

## assembly instructions

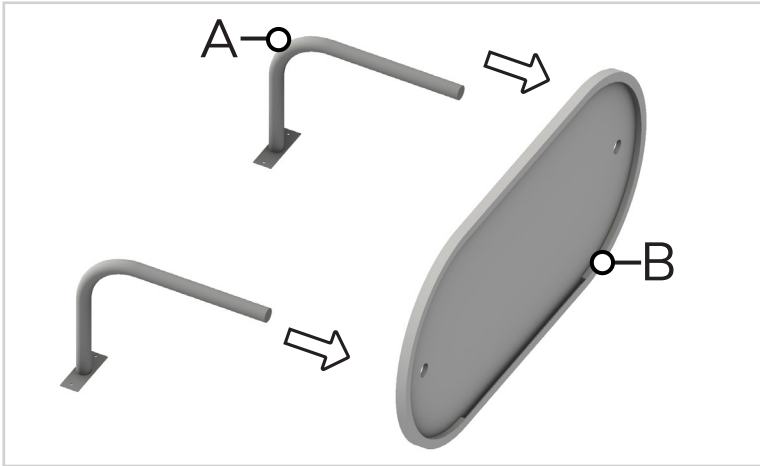
Friendly Tip: Take a deep breath going in. This may be a tricky part, but nothing too overwhelming. Just follow these steps to the T and the outcome will be worth it!



- ⓘ While assembling the product, tighten the bolts up to 50%. Once all parts are in place, only then fully tighten the bolts.

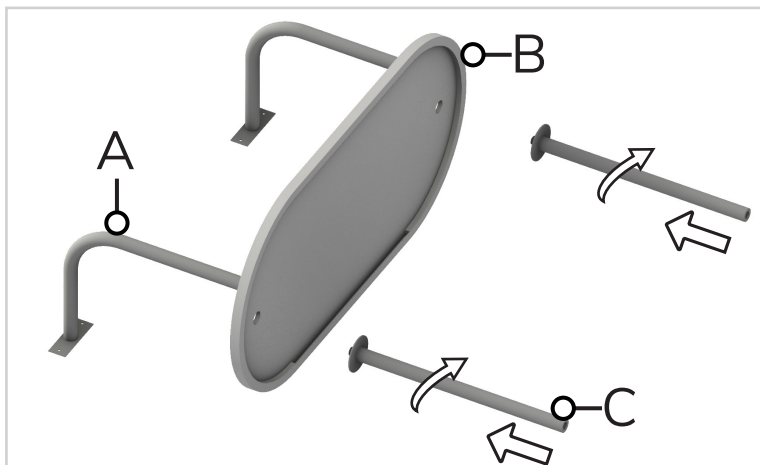
## step 1:

Start by placing the top assembly pipes (A) on a rug or carton with the mounting slots facing downwards. Now, align the holes on the metal shelf (B) with the top assembly pipes.



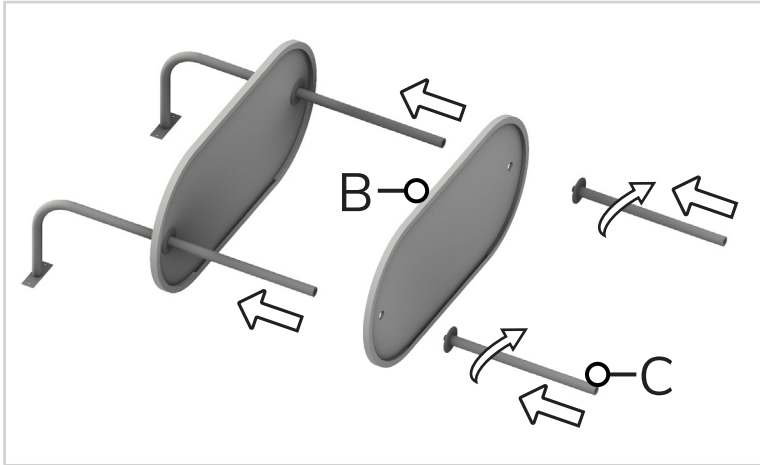
## step 2:

Then, take the middle assembly pipe (C) and attach it to both holes on the bottom side of the shelf (B). Rotate clockwise up to 80% to fix (A), (B), and (C) together. Use the image below as reference.



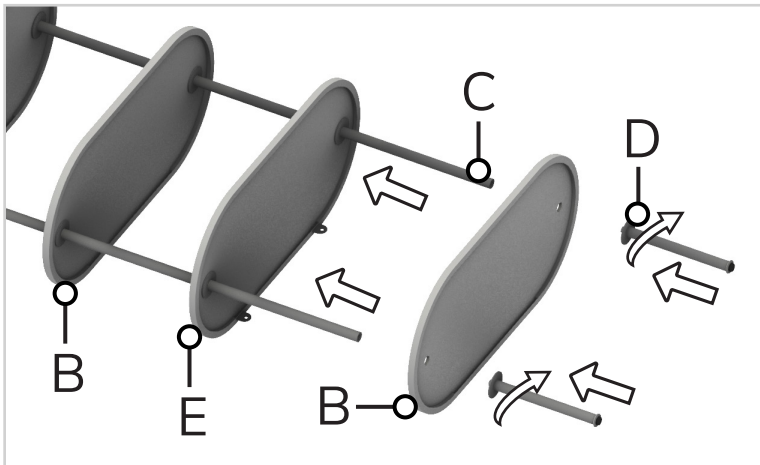
### step 3:

Now, place the next shelf (B) and align it with the slots given on the already attached middle assembly pipe (C). When done, repeat step 2 to fix it in place.



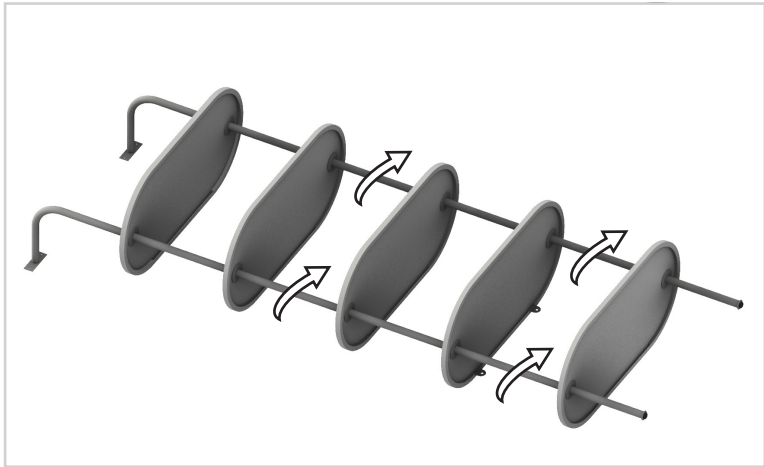
### step 4:

Repeat step 2 & 3 until the third shelf (B) & second last shelf (E) is attached. Now, to fix the last shelf (B) in place, align with the middle assembly pipe (C) with the holes on the shelf. Then, take the legs (D) and align them with the holes on the bottom of the shelf and rotate them clockwise up to 80%.



step 5:

When done, Tighten all the pipes fully.



**And your shelf is ready for installation**

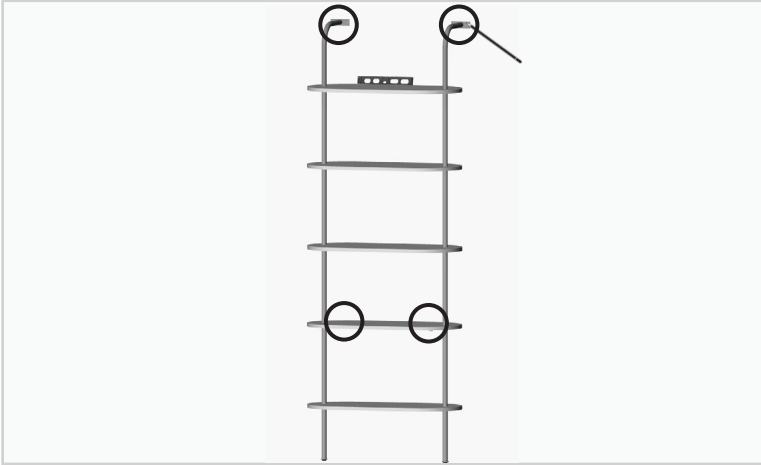
# installation instructions



- ⓘ While assembling the product, tighten the bolts up to 50%. Once all parts are in place, only then fully tighten the bolts.

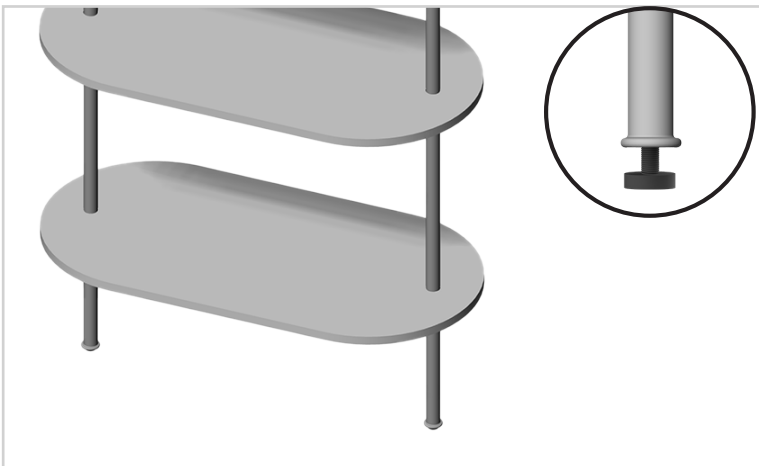
## step 1:

Place the assembled shelf against the wall and put a spirit level on the top plank to check alignment. Adjust if needed. Then, taking this image as reference, mark the holes on top & the slots on the second last shelf on the wall.



## step 2:

Now, adjust the levellers if needed.



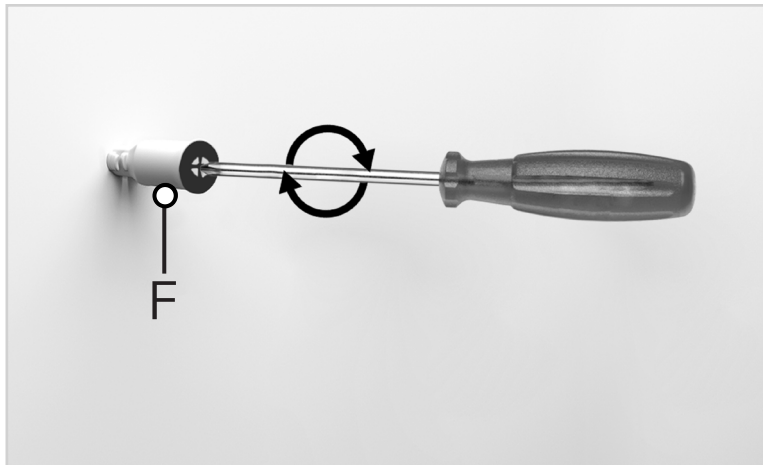
step 3:

Drill holes on the points you just marked.



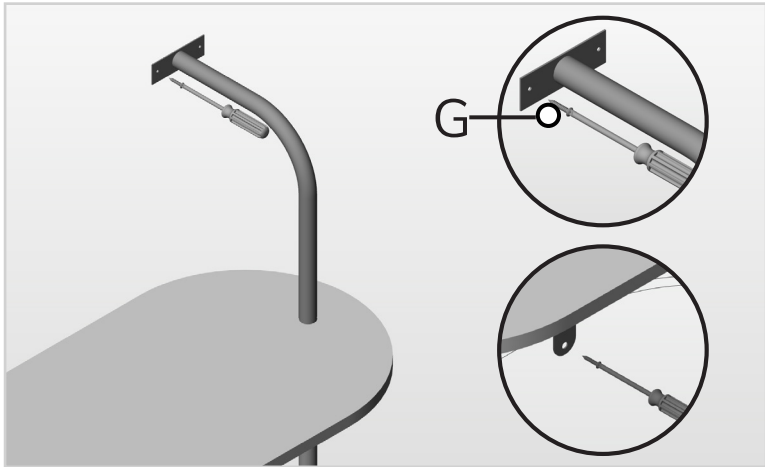
step 4:

Using a screw driver, insert wall plugs (F) in the holes you just marked.



step 5:

Now, insert screws (G) and tighten completely with the help of a screwdriver.



---

**Voila! Your shelf is now assembled and secure!**

you've  
got  
a home  
with us

