

GARDEN BED

ASSEMBLY INSTRUCTIONS

DO NOT RETURN TO RETAILER

If you have comments or questions, please contact us.

Questions, problems, missing parts? Before returning to your retailer, call / text our customer service department.


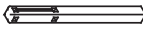
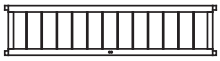

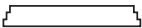


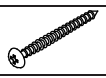


CAUTION:

Assemble on a soft, non-abrasive surface.

PREPARATION:



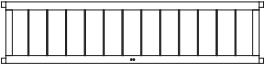
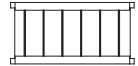





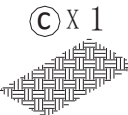
Before beginning assembly, please make sure all parts are present by comparing parts with parts list. If any part is missing or damaged, please contact customer service, please fill out a request for the replacement parts.

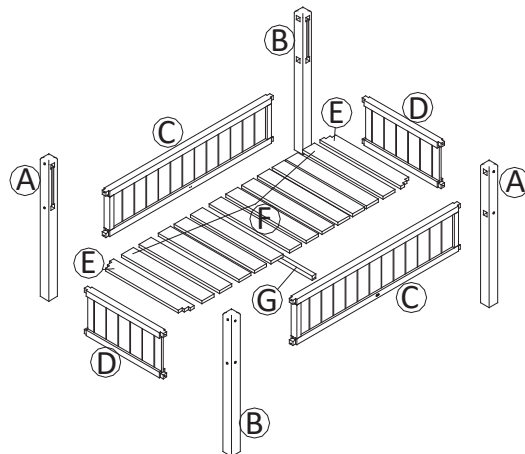
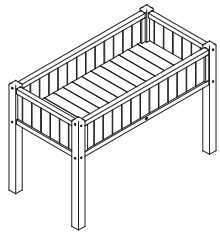
PARTS LIST

PART	LABEL	DESCRIPTION	QTY	IMAGES
W68-01A	A	Leg A	2	
W68-01B	B	Leg B	2	
W68-02	C	Front and Back Panels	2	
W68-03	D	Side Panels	2	
W68-04A	E	Bottom Boards A	2	
W68-04B	F	Bottom Boards B	12	
W68-05	G	Bottom Boards Brace	1	
W68-10	a	M5 Pan Head Phillips Screw	16	
W68-11	b	M4 Wood Screw	4	
W68-13	c	Weed Suppressant Lining	1	
		Assembly Instructions	1	

GARDEN BED

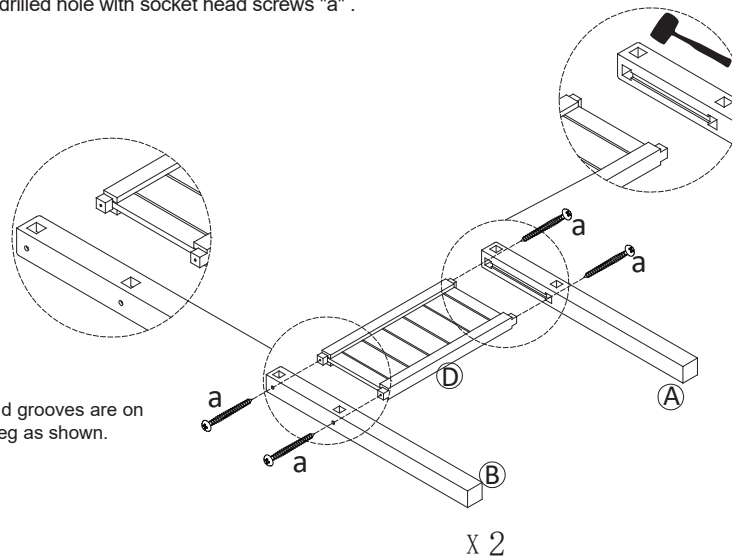
ASSEMBLY INSTRUCTIONS

A X 2 	B X 2 	C X 2 	D X 2 	E X 2 	F X 12 	G X 1 	a X 16 	b X 4 
							c X 1 	



Step-1: SIDE PANELS ASSEMBLY

1. Place the Legs (A, B) and the panel (D) flat on the floor. The two legs with groove side should be facing inward at each other.
2. Connect panel (D) in between the two legs with grooves by inserting the panel's tenon (piece projecting out) into the groove. Push the legs together so legs and panels are tightly connected. If needed, tap snugly Panels into the Legs with a rubber mallet.
3. Fasten into the pre-drilled hole with socket head screws "a".



△ Note: Make sure that the shape of the grooves on the inner surface of the legs as shown.

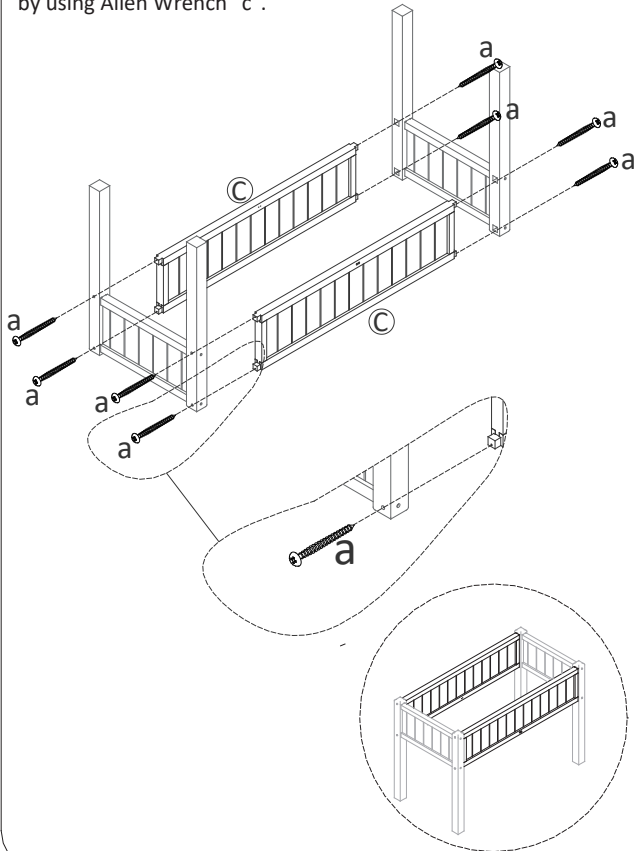
△ Note: Keep in mind grooves are on upper part of the leg as shown.

GARDEN BED

ASSEMBLY INSTRUCTIONS

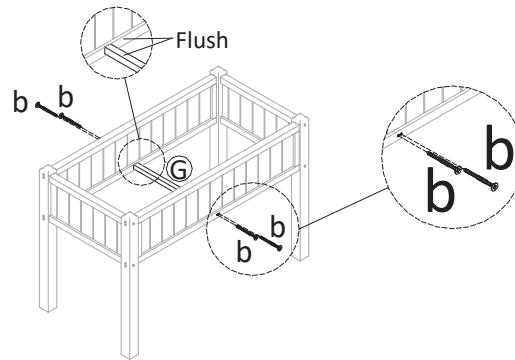
Step-2: FRONT AND BACK PANELS ASSEMBLY

1. With planter top side down, insert Panel (C) tenon into the legs grooves. And pushing the legs inward so that the legs and panel are tightly connected.
2. Fasten into the pre-drilled hole with socket head screws "a" by using Allen Wrench "c".



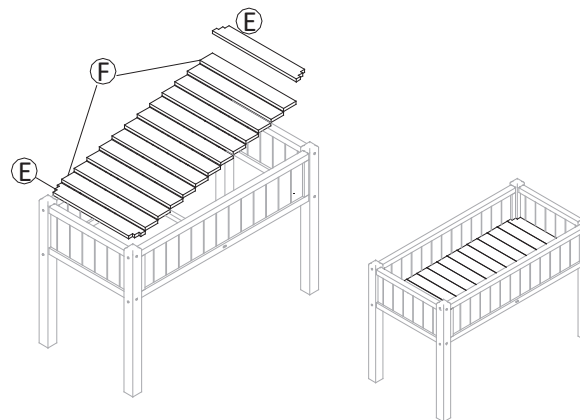
Step-3: CENTER BOTTOM BOARD BRACE

Attach bottom board brace "G" with wood screws "b".



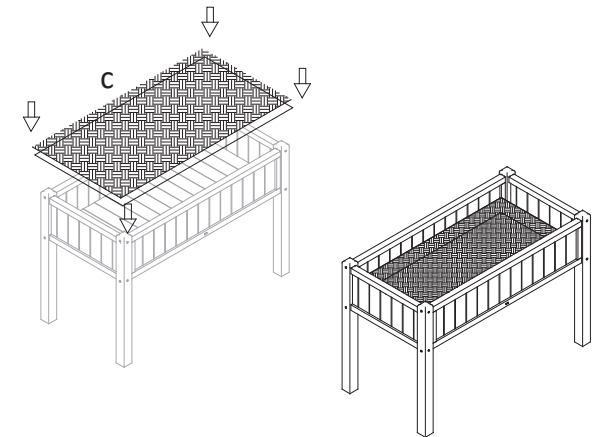
Step-4: BOTTOM BOARDS ATTACHMENT

The garden bed bottom boards are not intended to fit snugly, but should be spaced evenly across the garden bed.

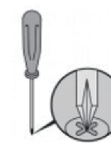


Step-5: LINER

Putting the weed suppressant lining on the bottom boards.



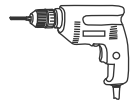
Tools Required:



Phillips Screwdriver



Rubber Mallet-Optional



Drill-Optional

Important Assembly Notes:



During the assembly process, avoid hitting the panels with hard objects. If needed, please tap snugly into place with a rubber mallet.

GARDEN BED

ASSEMBLY INSTRUCTIONS

LIMITED WARRANTY

We carries a limited one-year warranty to the original owner of our products.. Within a 30-day period, we will repair or replace, at our discretion, any parts found to be missing from or damaged in the original packaging. We can only replace the defective part out of a manufacturer's defect and not seasonal check. Photographs are required for this claim. After the first 30 days, shipping and handling fees will apply.

Under this warranty, there will be a replacement for the defective component of the Garden Bed. All parts are covered by a one year warranty. This guarantee is effective only if the product has been assembled and maintained in accordance with the instructions. This warranty does not cover the cost of labor, expedited freight, commercial use, abuse, accident, modification, the addition of any accessories not sold by us, cosmetic issues such as fading or scratches from normal wear, any other cause not arising from defects in material and product. Minor wood checks, cracks, surface cracks are all natural characteristics of wood and do not affect the structural integrity, and are not covered under warranty.

For warranty service or replacement part information, please contact us.

Replacement parts are still available for purchase after the warranty expires.

Warranty: 1 Year for all Components	
Days from Date of Purchase	Cost to Customer
With in 30 days	No Cost
After 30 days , but within 1 year	Shipping and Handling (S&H)