

NOTICE

- * Please make sure that you have all parts indicated and they are in good condition before you begin assembly of this item. Refer to part list and hardware list below for guidance.
- * This item should be assembled on a soft surface to prevent scratching the finished goods during assembly.
- * This item may require periodic tightening.
- * If you are having difficulty, our friendly Customer Care team is always here to help.

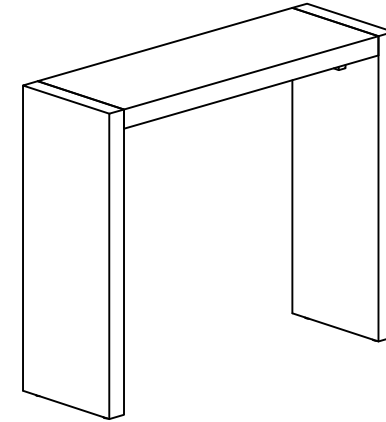
PREPARATION

- * Before beginning assembly of product, make sure all parts are present. Compare parts with part contents list and hardware contents list.
- * If any part is missing or damaged, do not attempt to assemble the product.
- * Estimated Assembly Time: 20 minutes.
- * Tools Required for Assembly (included) : Allen key.

CARE AND MAINTENANCE

WOOD CARE: Adhesive felt pads should always be applied to areas of furniture which make direct contact with flooring, said application will prevent damage to the furniture and or surfaces on which the furniture lies. Objects placed on articles of furniture should rest on non abrasive material as to prevent damage to the wood finish. Wipe up spills immediately and avoid common hazards such as hot dishes, harsh solvents and abrasives. Cleaning should be done with a soft lint free cotton cloth dampened with water or furniture polish.

Product Dimensions: 34"W x 11"D x 28"H



Weight Capacity : 25 lbs on top of the product
 Warning : Do not stand on the product
 Warning : Do not over torque bolts

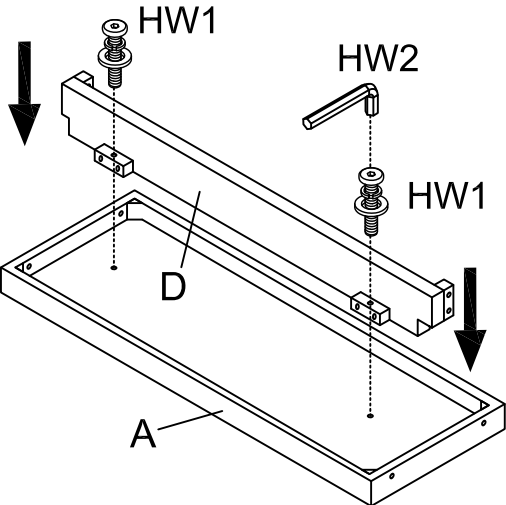
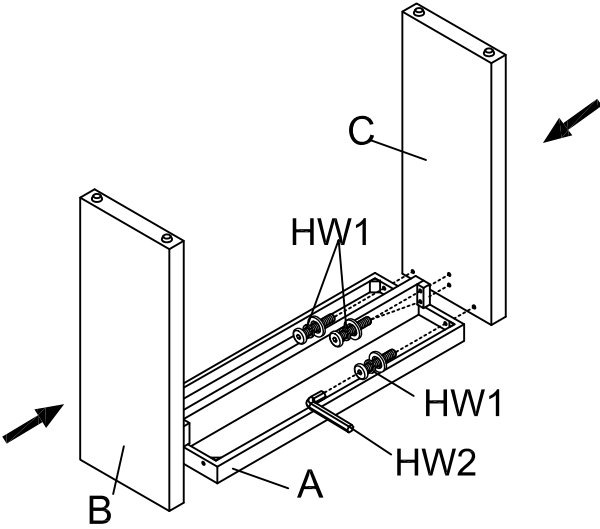
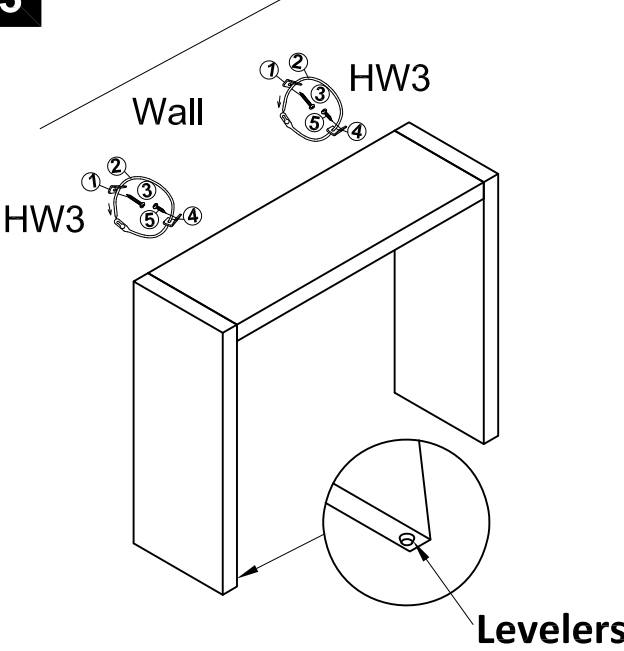
Part List and Hardware List

PIECE	DESCRIPTION	PICTURE	QTY
A	TABLE TOP		1x
B	LEFT LEG		1x
C	RIGHT LEG		1x
D	CONNECTING BAR		1x

PIECE	DESCRIPTION	PICTURE	QTY
HW1	Hex Socket Bolt	1/4"-20 x 1.25"	10x
HW2	Allen Key	4mm	1x
HW3	ANTI-TIP HARDWARE		2x

PREPARATION

- * Before beginning assembly of product, make sure all parts are present. Compare parts with part contents list and hardware contents list.
- * If any part is missing or damaged, do not attempt to assemble the product.
- * Estimated Assembly Time: 20 minutes.
- * Tools Required for Assembly (included): Allen key.
- * If you are having difficulty, our friendly Customer Care team is always here to help.

<p>1</p>  <ul style="list-style-type: none">• Do not fully tighten the bolts until the product is assembled.	<p>2</p>  <ul style="list-style-type: none">• Do not fully tighten the bolts until the product is assembled.	<p>3</p>  <ul style="list-style-type: none">• After properly adjusting the levelers, make sure all bolts are fully tightened.
<p>Step 1 Attach the Connecting Bar (D) to the bottom side of the Table Top (A), Then use the Allen Key (HW2) to screw in 2*Hex Socket Bolts (HW1) into the bottom of Table Top (A) respectively through the holes in the Connecting Bar (D).</p>	<p>Step 2 Attach the Left Leg (B) and Right Leg (C) to the two ends of the assembled table top (A & D), Then use the Allen Key (HW2) to screw in 8*Hex Socket Bolts (HW1) into the both legs (B & C) respectively through the holes in the Connecting Bar (D).</p>	<p>Step 3 Turn the assembled product upright. Use the levelers to adjust the product if needed. Following the installation instructions of Anti-tip Hardware (HW3) to fix the product in the wall by 2 straps. Assembly is completed.</p>