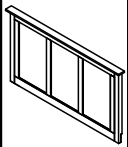
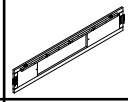

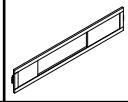





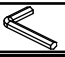
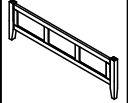
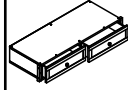












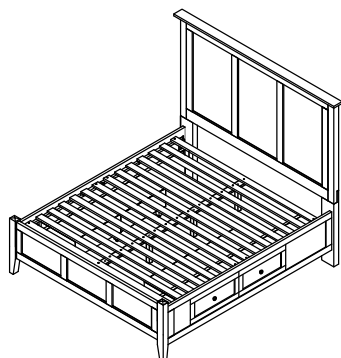
C.KING STORAGE BED

OWNER'S MANUAL

ASSEMBLY PARTS LIST

BOX 1 - HEADBOARD				BOX 3 - STORAGE SIDE RAILS			
PART NO.	IMAGE	DESCRIPTION	QUANTITY	PART NO.	IMAGE	DESCRIPTION	QUANTITY
A		HEADBOARD PANEL	1	F		LEFT SIDE RAIL	1
B		LEFT HEADBOARD LEG	1	G		RIGHT SIDE RAIL	1
C		RIGHT HEADBOARD LEG	1	H		CENTER SLAT	1
HEADBOARD HARDWARE KIT PACKED IN BOX 1				BOX 4 - STORAGE DRAWER BOX			
1		ALLEN BOLT (6X35mm)	8				
2		SPRING WASHER (M6)	8				
3		FLAT WASHER (M6)	8				
4		ALLEN KEY	1				
BOX 2 - FOOTBOARD-SLAT ROLL				J			
D		FOOTBOARD	1			STORAGE DRAWER BOX	2
E		SLAT ROLL	1	K		DRAWER BOX SUPPORT LEG	12
BED HARDWARE KIT PACKED IN BOX 2				<div style="display: flex; justify-content: space-around; align-items: center;"> <div style="text-align: center;">  </div> <div style="text-align: center;">  </div> <div style="text-align: center;">  <p>0:30</p> </div> <div style="text-align: center;">  </div> </div> <p style="text-align: right; margin-right: 50px;">NOT PROVIDED</p> <div style="border: 1px solid black; padding: 5px; text-align: center; margin: 10px auto; width: 80%;"> ASSEMBLE ON A SOFT SURFACE </div>			
5		PAN HEAD SCREW (6X15mm)	13				
6		WOOD SCREW (8x30mm)	9				
7		ALLEN KEY	1				
8		ALLEN BOLT (6X40mm)	19				

STORAGE BED FULLY ASSEMBLED

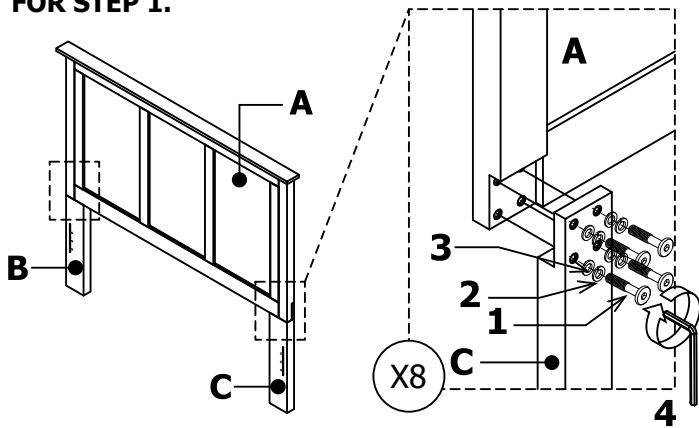


C.KING STORAGE BED

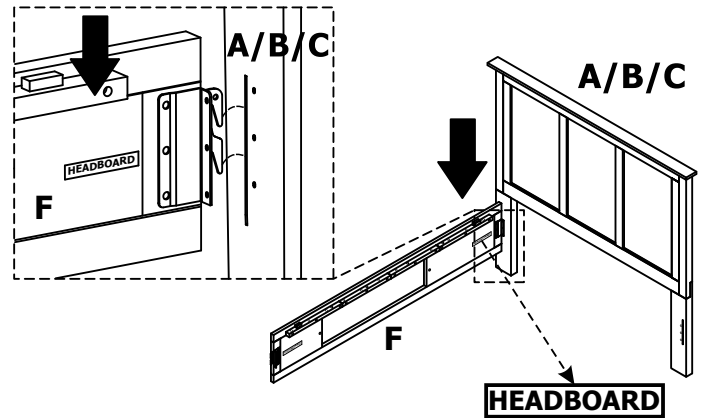
OWNER'S MANUAL

ASSEMBLY INSTRUCTIONS

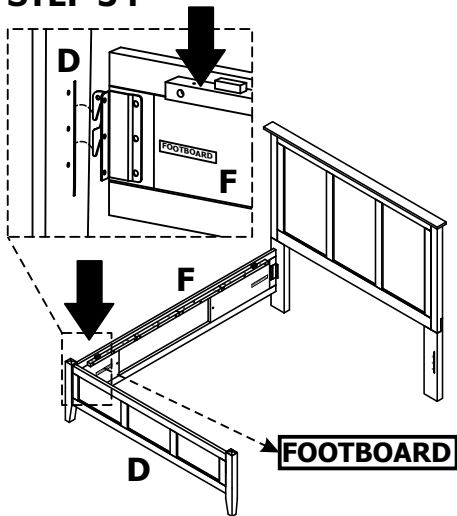
STEP 1 :
USE HEADBOARD HARDWARE PACKED IN BOX 1 FOR STEP 1.



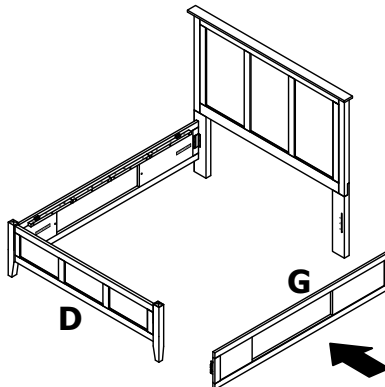
STEP 2 :
USE HARDWARE PACKED IN BOX 2 FOR STEP 2 AND ALL REMAINING STEPS.



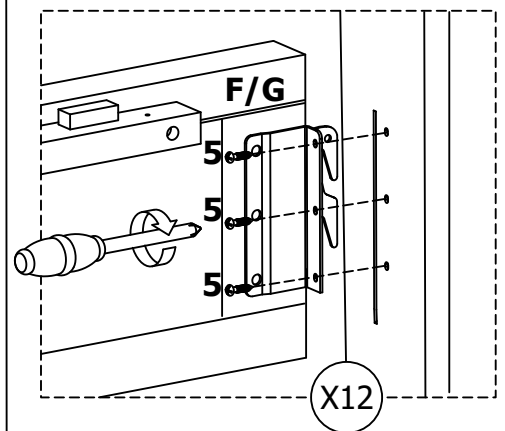
STEP 3 :



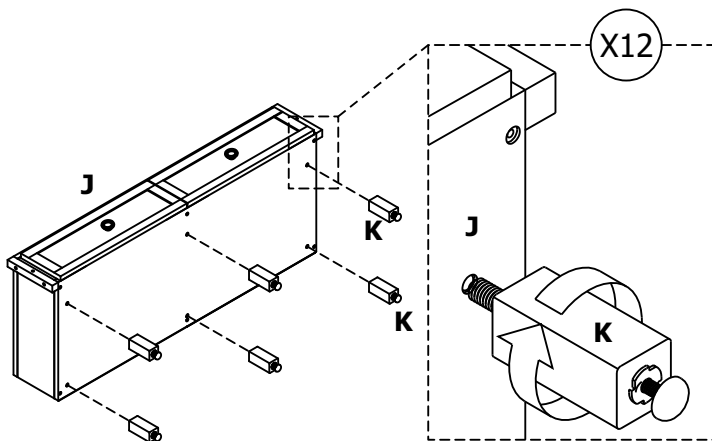
STEP 4 :



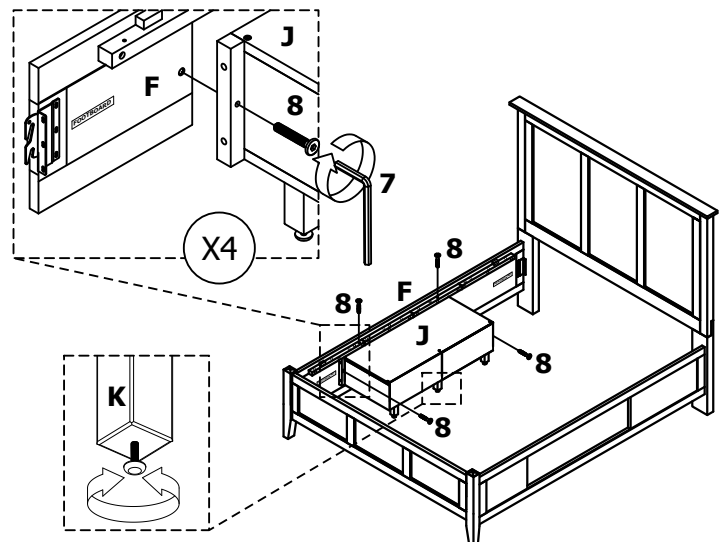
STEP 5 :



STEP 6 :
REMOVE PLASTIC COVER FROM DRAWER BOX SUPPORT LEG (K) BOLT.



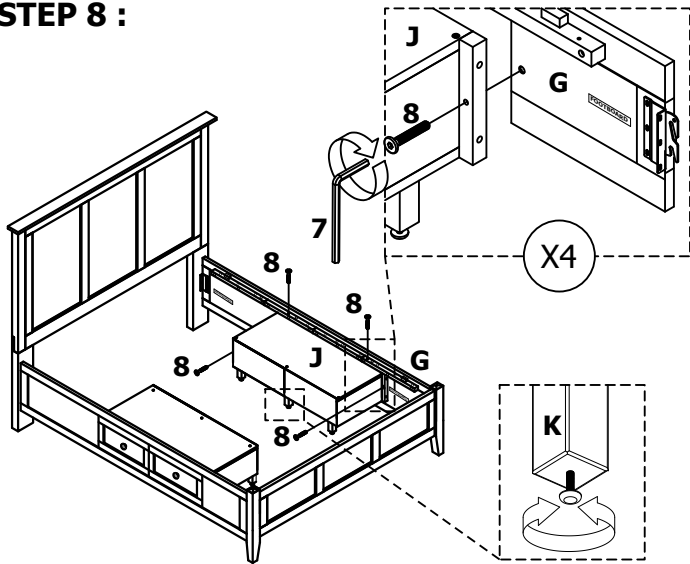
STEP 7 :



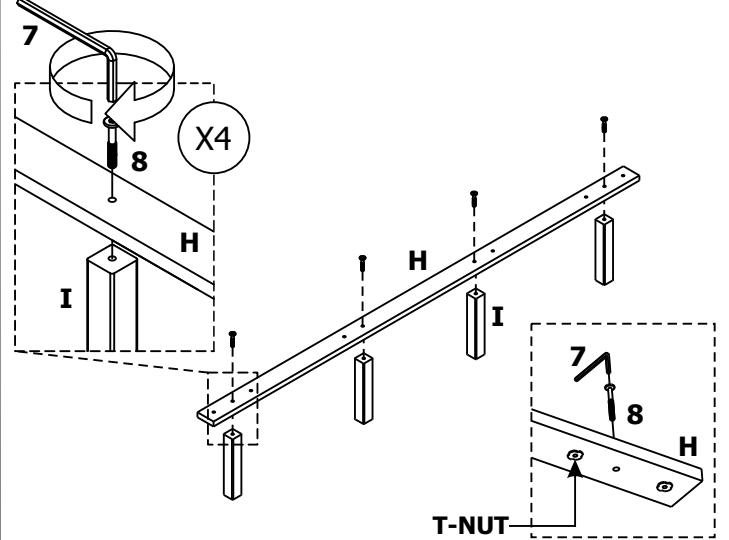
C.KING STORAGE BED

OWNER'S MANUAL

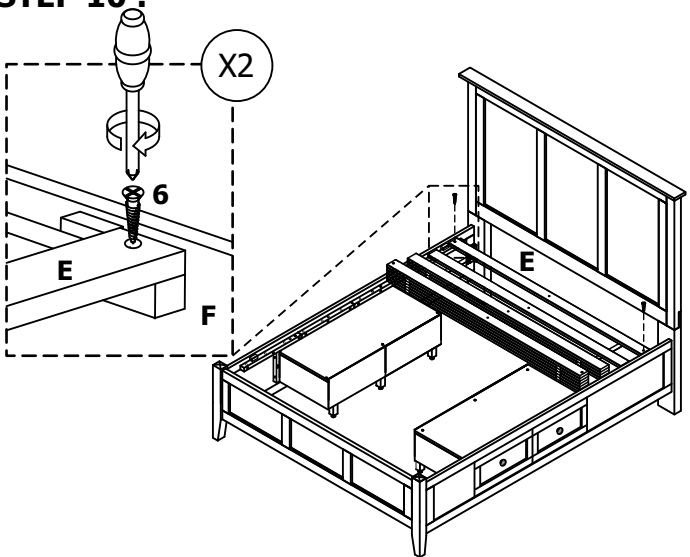
STEP 8 :



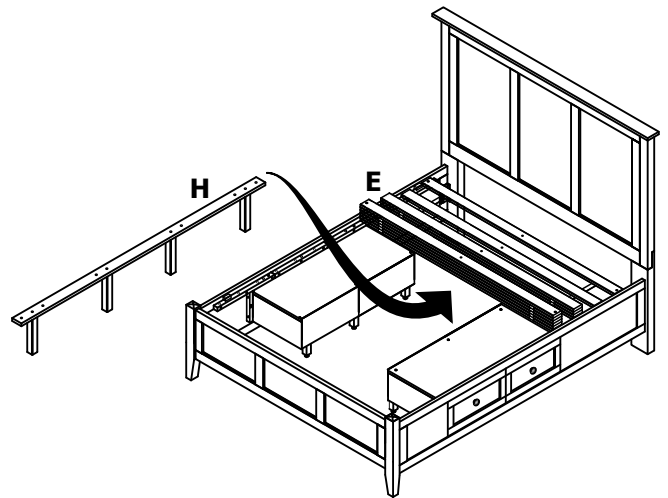
STEP 9 :



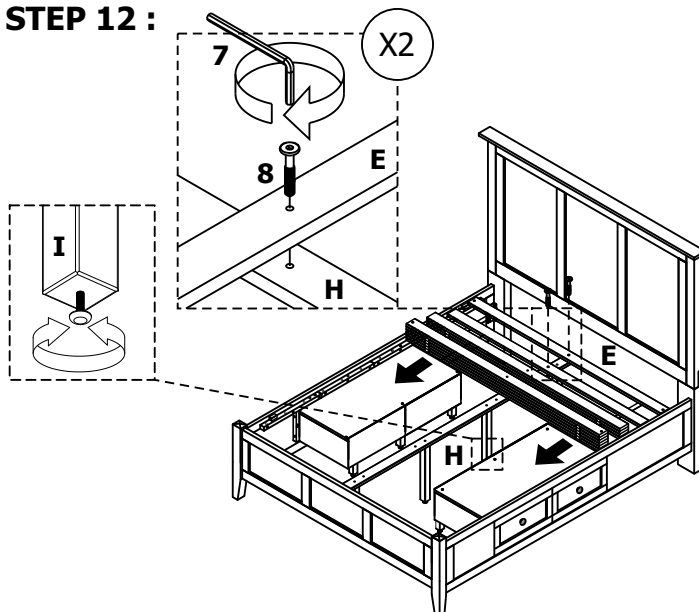
STEP 10 :



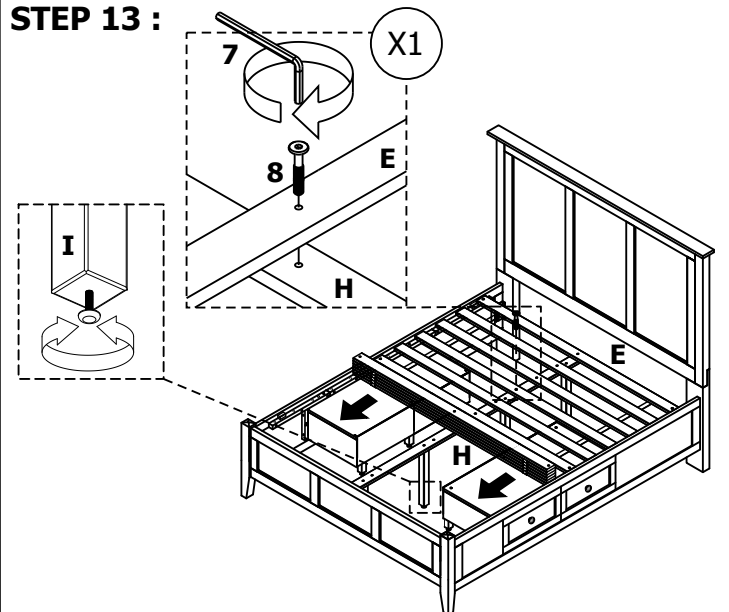
STEP 11 :



STEP 12 :



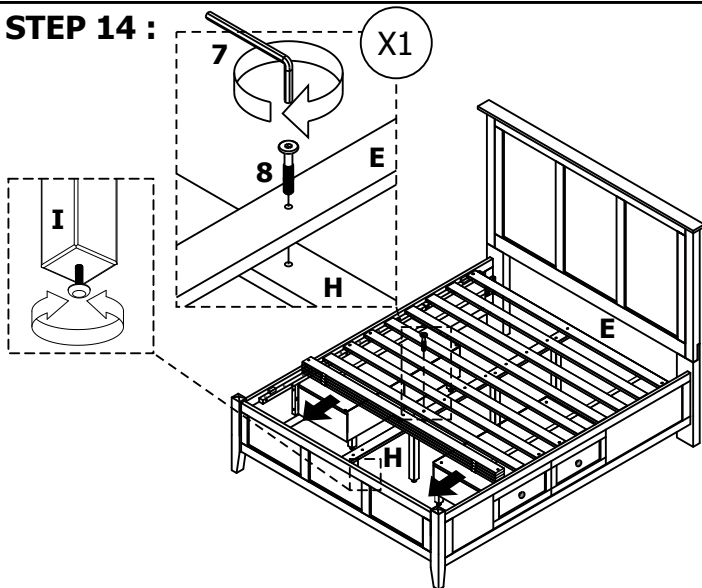
STEP 13 :



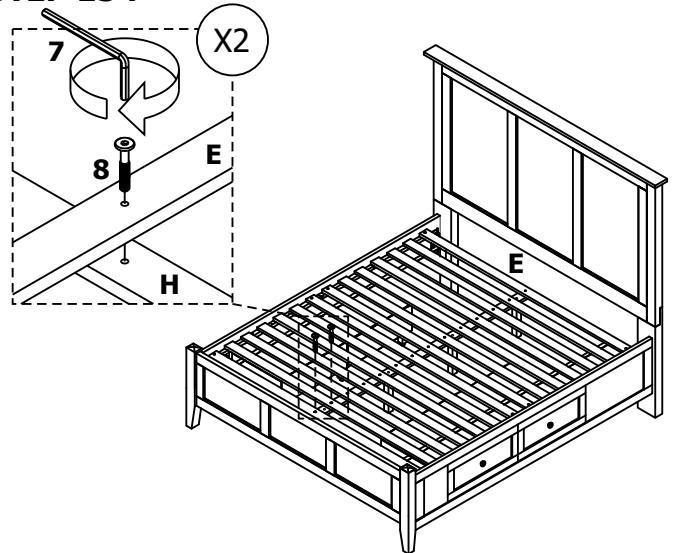
C.KING STORAGE BED

OWNER'S MANUAL

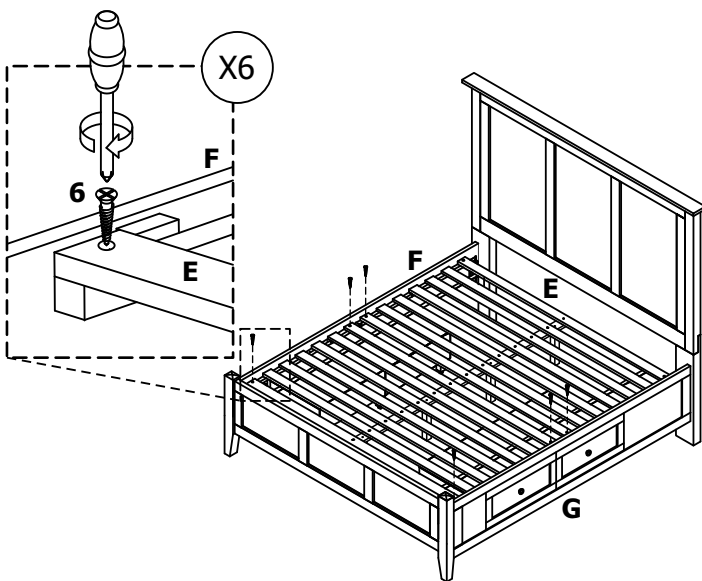
STEP 14 :



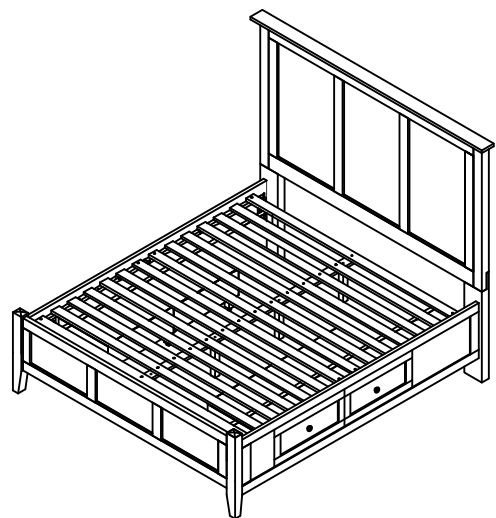
STEP 15 :



STEP 16 :



STEP 17 :







ASSEMBLY COMPLETE

C.KING STORAGE BED

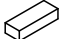

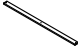
OWNER'S MANUAL

REPLACEABLE PARTS LIST




HEADBOARD - SNOWFALL, RAVEN, DARK MOCHA, BLUEBERRY, ELEPHANT GREY

DESCRIPTION	IMAGE	SKU
BOX 1 HARDWARE KIT		
FOOT CAP		
HEADBOARD LEFT LEG		(Snowfall), (Raven), (Dark Mocha) (Blueberry), (Elephant Grey)
HEADBOARD RIGHT LEG		(Snowfall), (Raven), (Dark Mocha) (Blueberry), (Elephant Grey)




FOOTBOARD/SLAT ROLL - SNOWFALL, RAVEN, DARK MOCHA, BLUEBERRY, ELEPHANT GREY

DESCRIPTION	IMAGE	SKU
BOX 2 HARDWARE KIT		A
FOOT CAP		B
INDIVIDUAL SLAT		C

STORAGE SIDE RAILS - SNOWFALL, RAVEN, DARK MOCHA, BLUEBERRY, ELEPHANT GREY

DESCRIPTION	IMAGE	SKU
SIDE RAIL BRACKET SET/2		
BED SUPPORT LEG		(Snowfall), (Raven), (Dark Mocha) (Blueberry), (Elephant Grey)
CENTER SLAT		

STORAGE DRAWER BOX - SNOWFALL, RAVEN, DARK MOCHA, BLUEBERRY, ELEPHANT GREY

DESCRIPTION	IMAGE	SKU
KNOB		(Snowfall, Raven, Dark Mocha, Elephant Grey) (Blueberry)
BED DRAWER GLIDE SET		
DRAWER BOX SUPPORT LEG		(Snowfall), (Raven), (Dark Mocha) (Blueberry), (Elephant Grey)

C.KING STORAGE BED

OWNER'S MANUAL



WARNING:

- Maximum distributed load capacity: 800 lbs.
- Standing or jumping on this product may result in damage or injury.

ROUTINE MAINTENANCE:

Periodically check that support legs are in place and are applying equal upward pressure on the bed frame. To adjust support legs, turn levelers counterclockwise to extend, clockwise to retract.

Periodically check all fittings and tighten if necessary, as they can loosen over time.

Always remove box spring and mattress before moving the bed. Lift the bed when moving it. Dragging the bed can damage the center support. Readjust levelers after moving the bed.

CARE AND CLEANING:

WOOD FURNITURE: Dust frequently with a clean, damp, lint-free cloth. Frequent dusting will remove abrasive build-up which can damage a finish over time. Avoid using oily polishes or waxes. Avoid exposing your furniture to strong sunlight. Prolonged exposure to direct sunlight can fade the finish of your furniture. Do not expose your furniture to any liquids. Never allow water to sit on your furniture. Do not place hot items on top of surface, always use a mat or other protector. Alcohol, nail polish and perfume are also dangerous, as they can dissolve the furniture finish on contact and may require professional repairs.