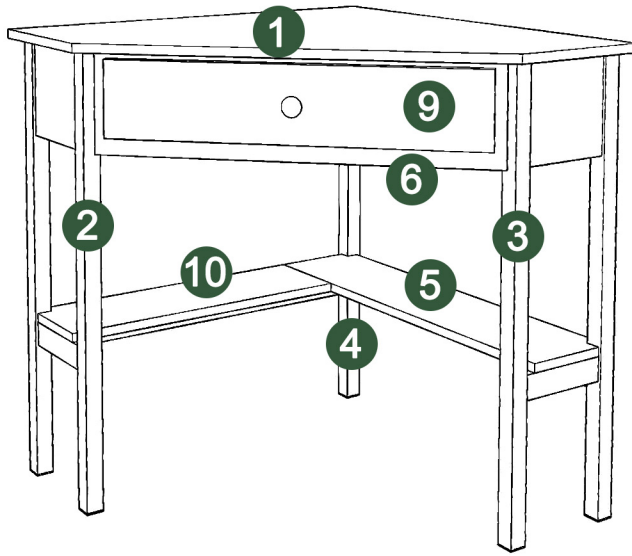
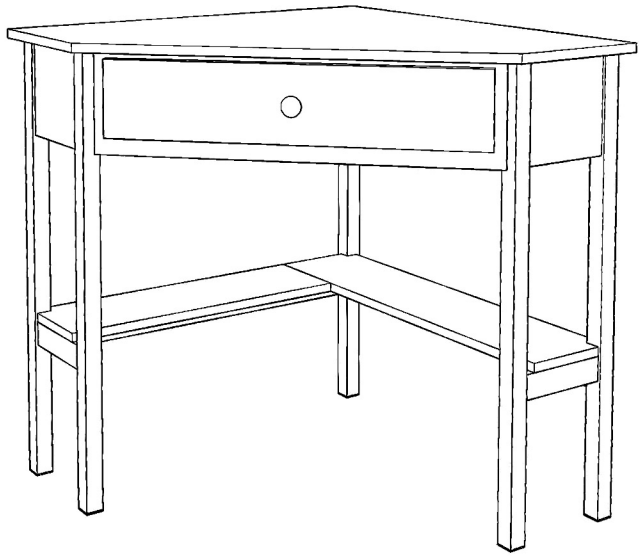




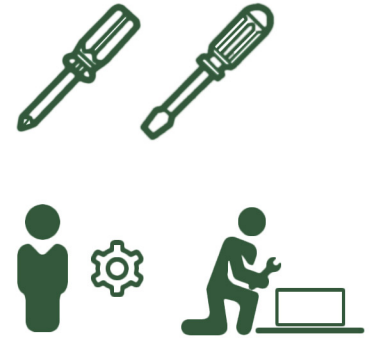
FWT31

2018-01

SoBuy®



TOOLS:



UNIT:MM

1	2	3	4	5	6	7 × 2	8 × 2	9	10	11	
756×756×15	746×223×30	746×223×30	746×30×30	710×165×15	670×165×15	655×165×15	655×59×15	630×125×15	540×165×15	516×240×3	

UNIT:MM

12	13	14	15	16	A	B	C	D	E	F	G	H	J	K	L	M
510×67×12	250×67×12	250×67×12	250×130×12	250×130×12	× 5	× 43	× 2	× 4		× 8	× 4	× 39	× 5	× 2	× 2	
					M4×50	M6×35	Φ6×30	M4×30	M4×18	M3×12	Φ12×10	Φ15×10				

BOLT INSTALLATION AS BELOW:



	BOLT
	Connecting piece

X	✓
Adjust connecting piece direction if condition as illustrated	Insert bolt when Connecting piece under Such condition

A1.

A2.

A3.

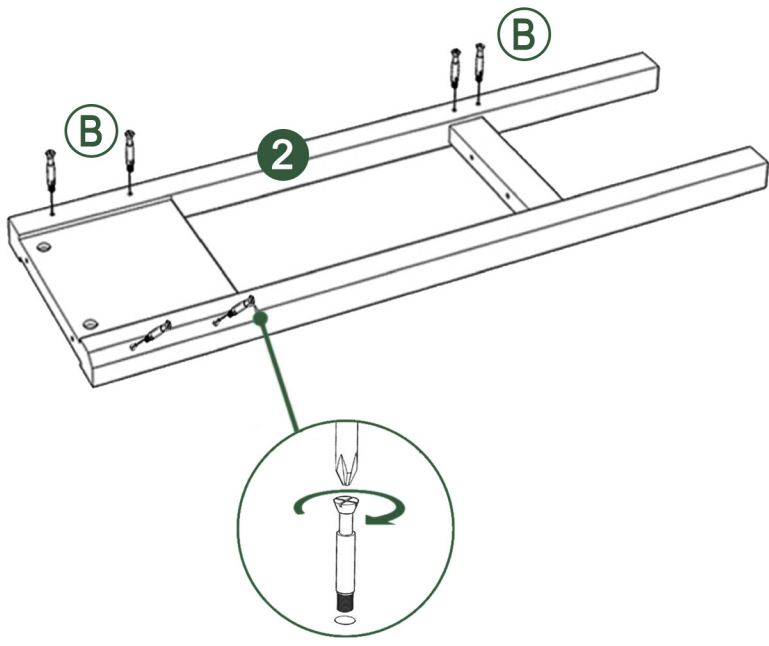
A4.



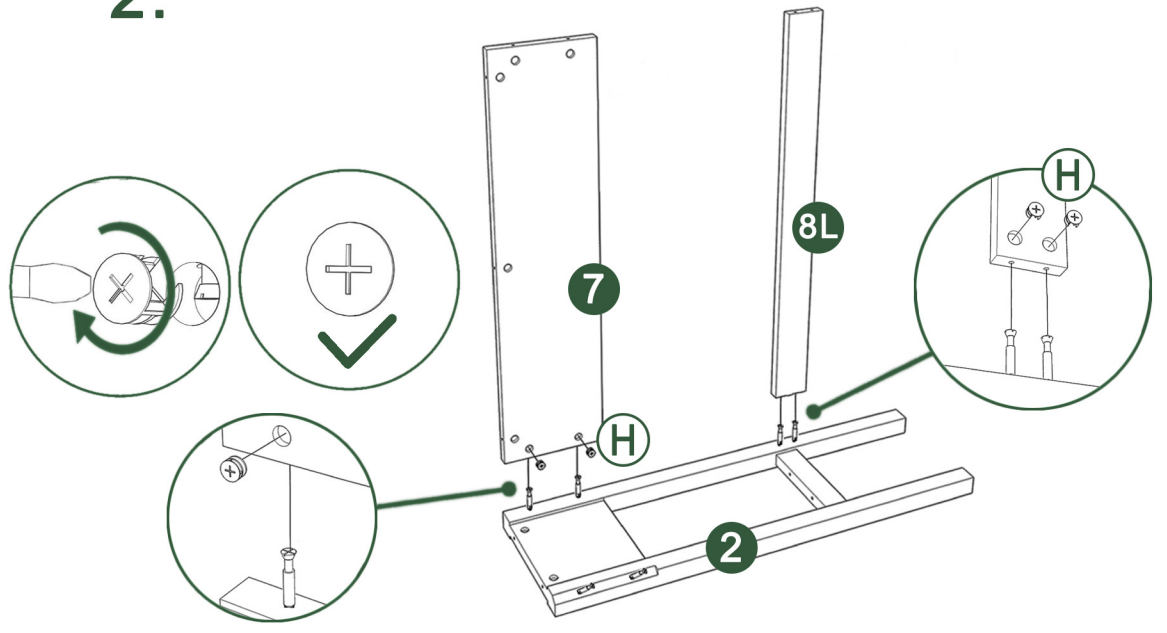
Pour en savoir plus: www.quefairedemesdechets.fr

Stand:08.2018

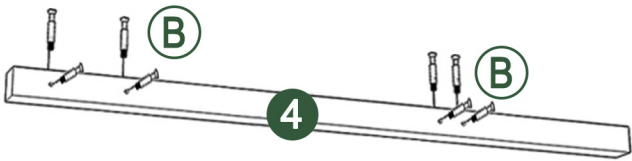
1.



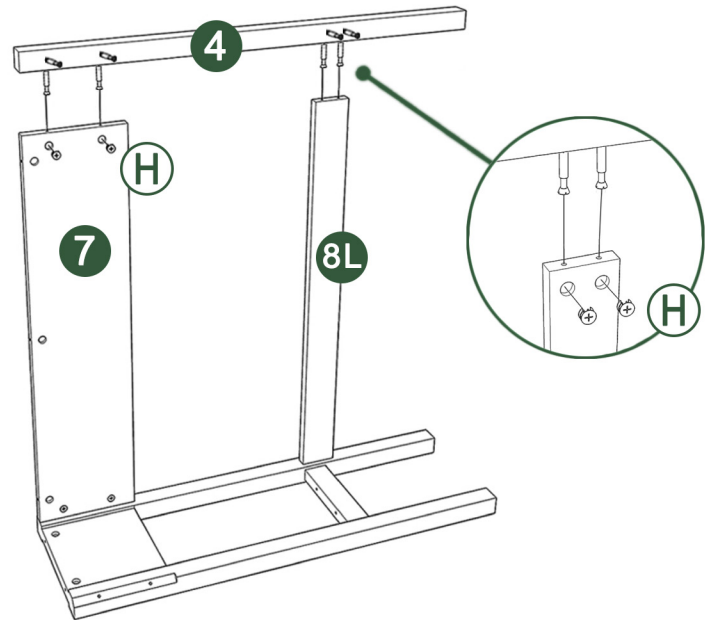
2.



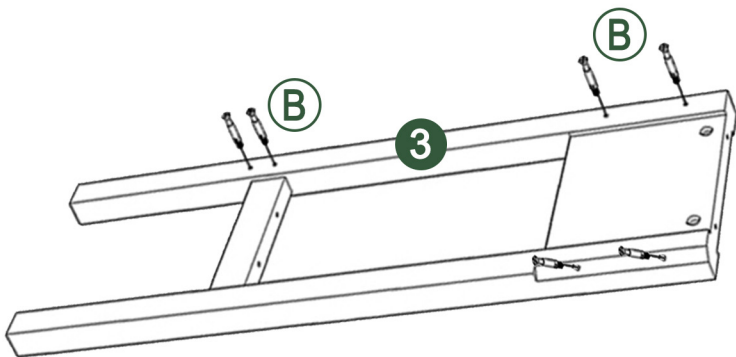
3.



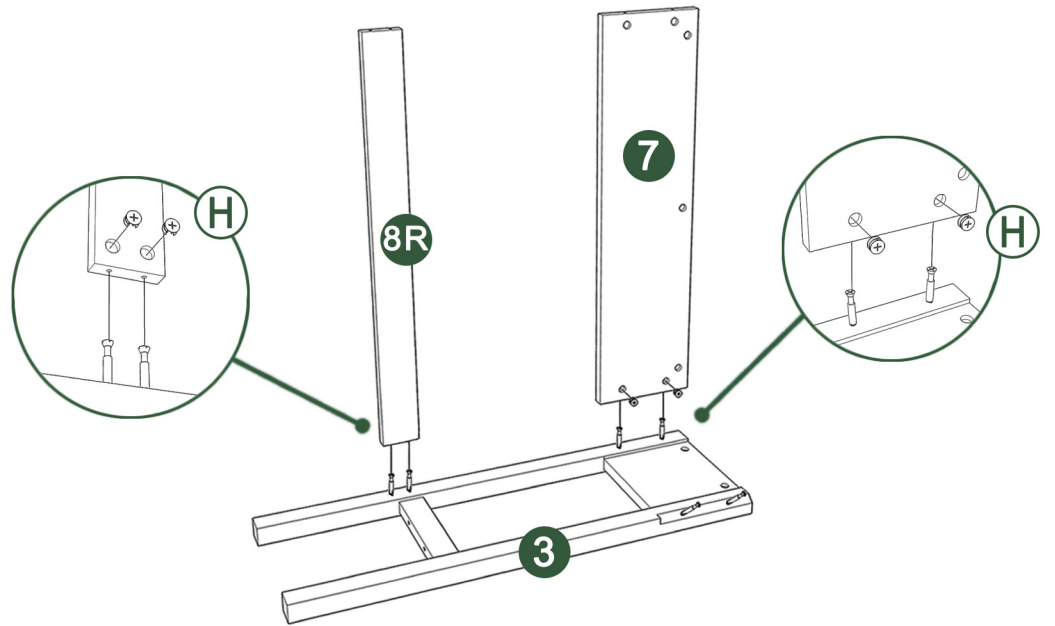
4.



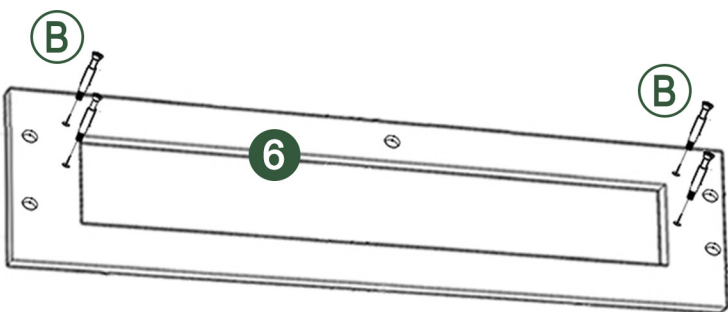
5.



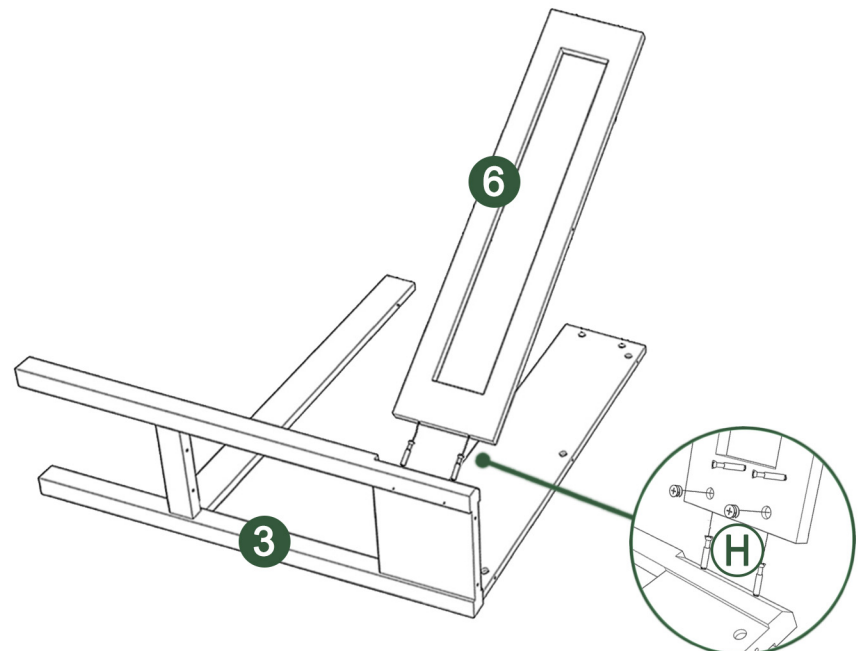
6.



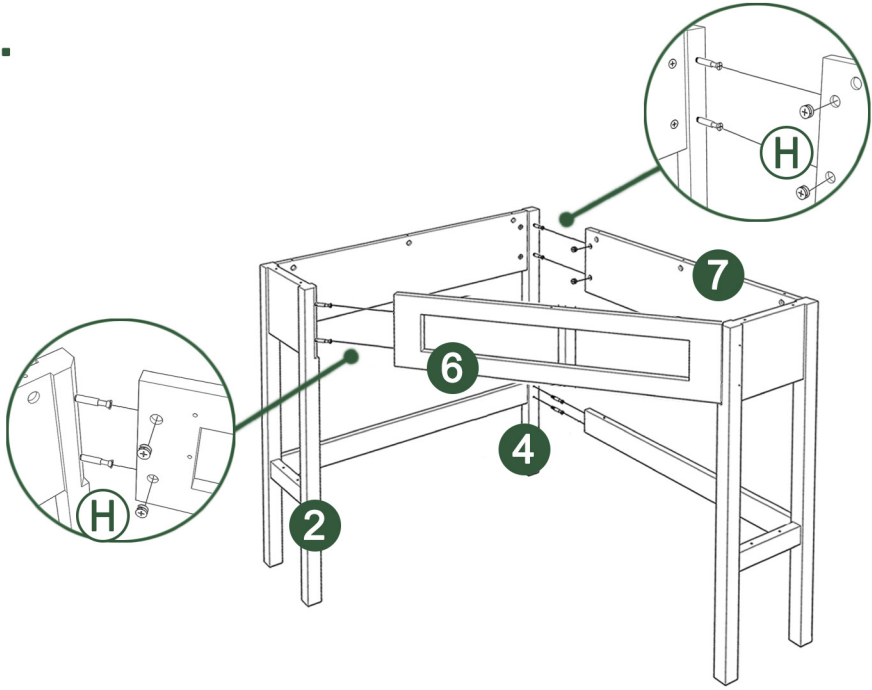
7.



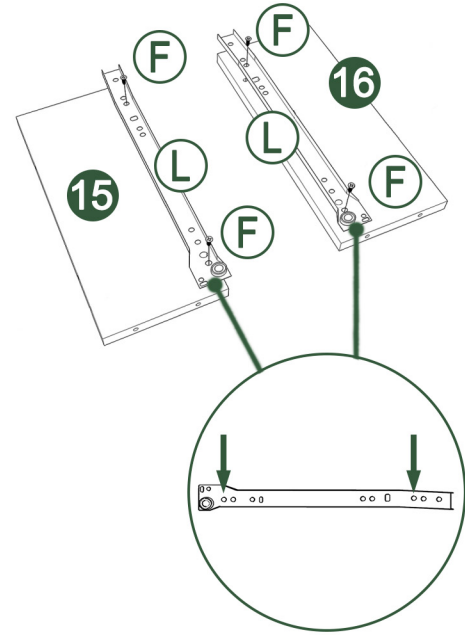
8.



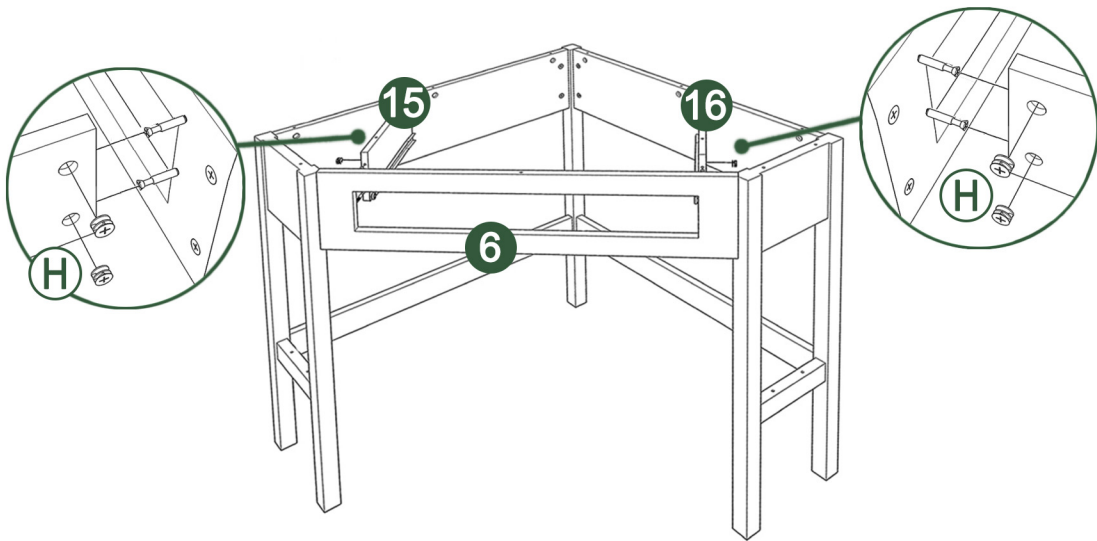
9.



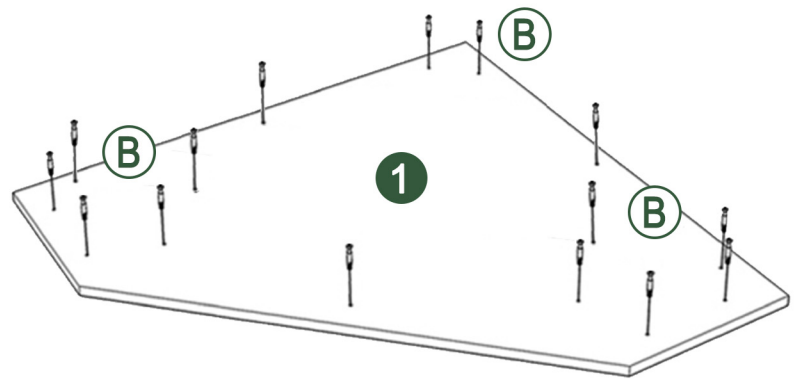
10.



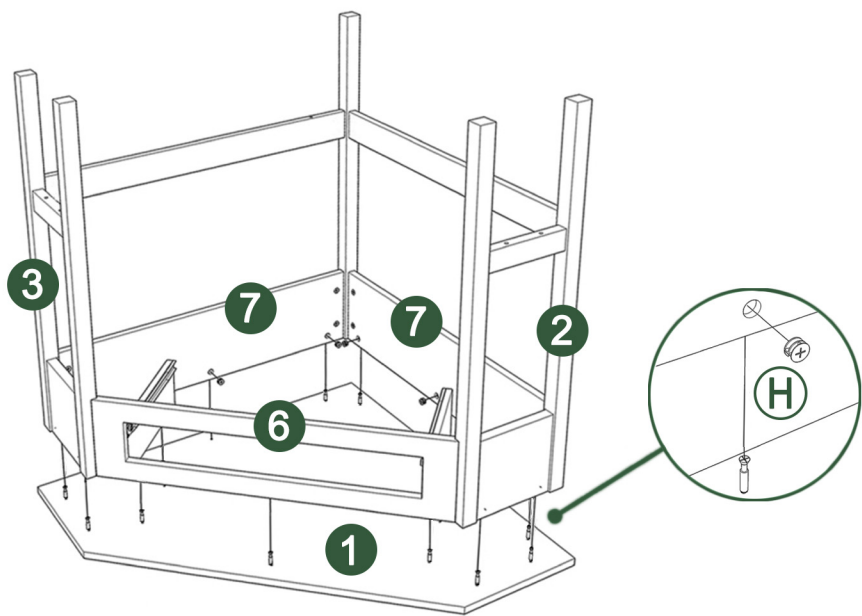
11.



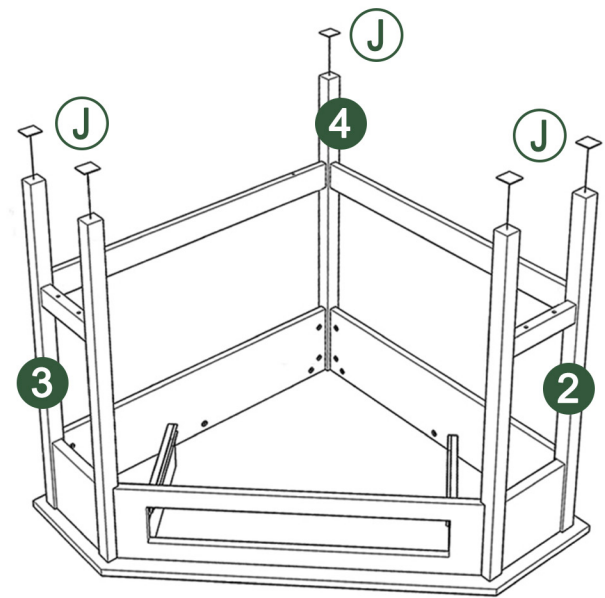
12.



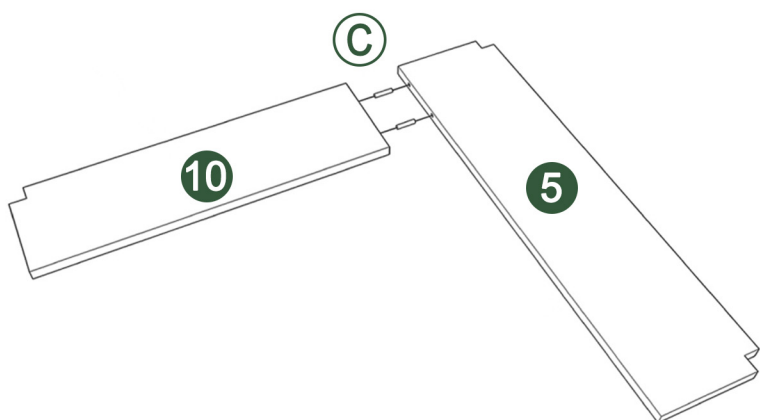
13.



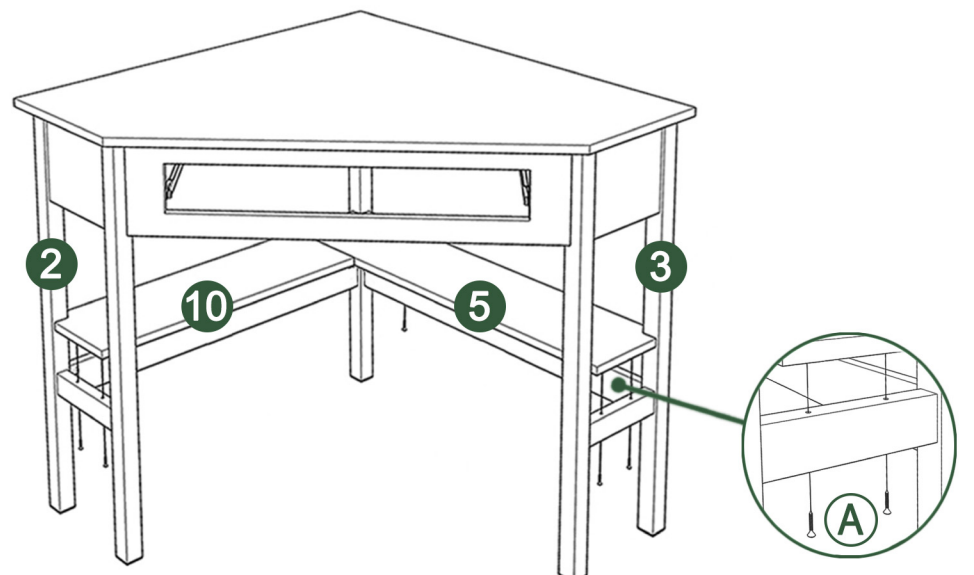
14.



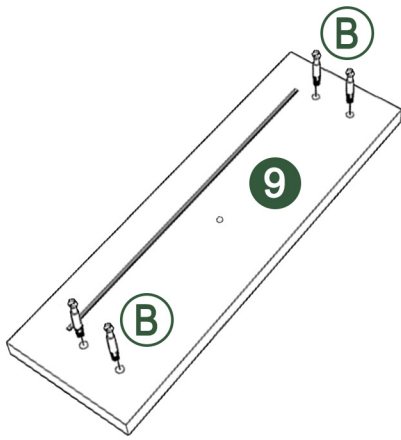
15.



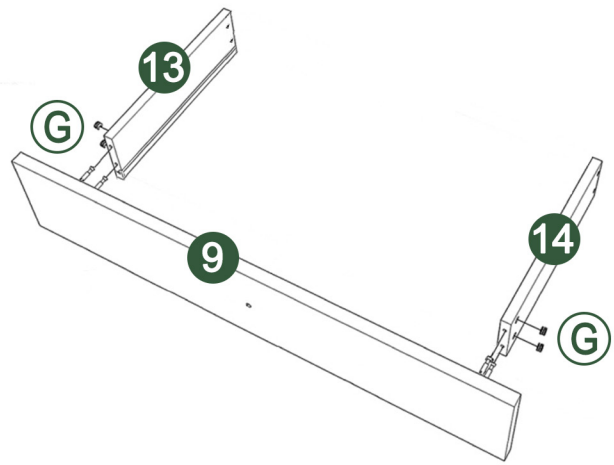
16.



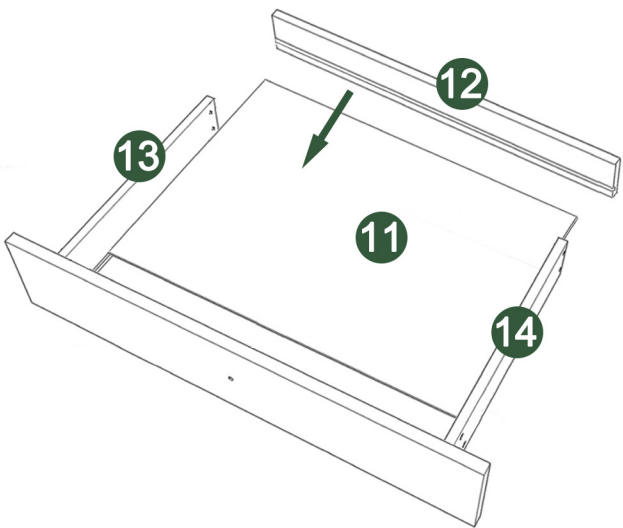
17.



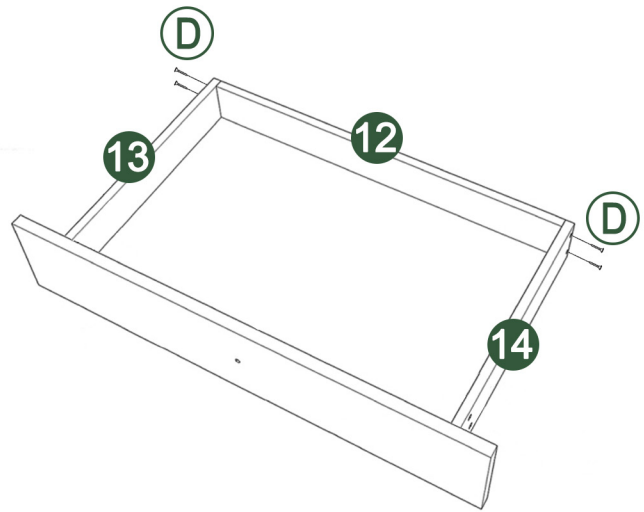
18.



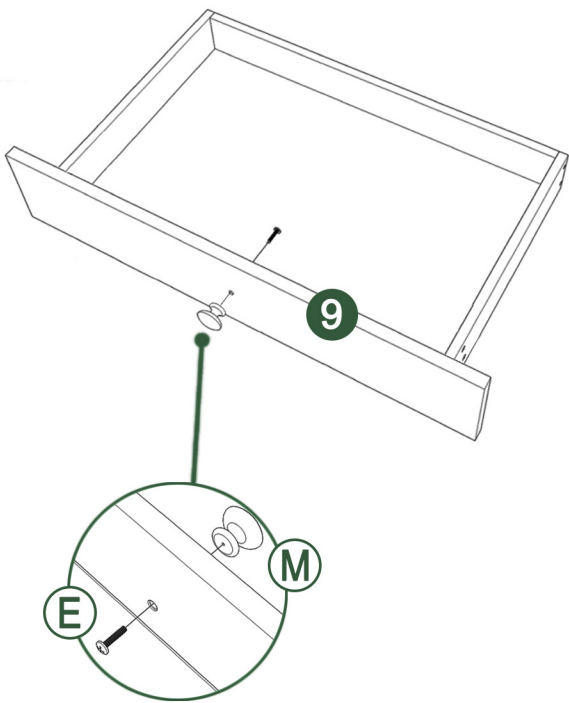
19.



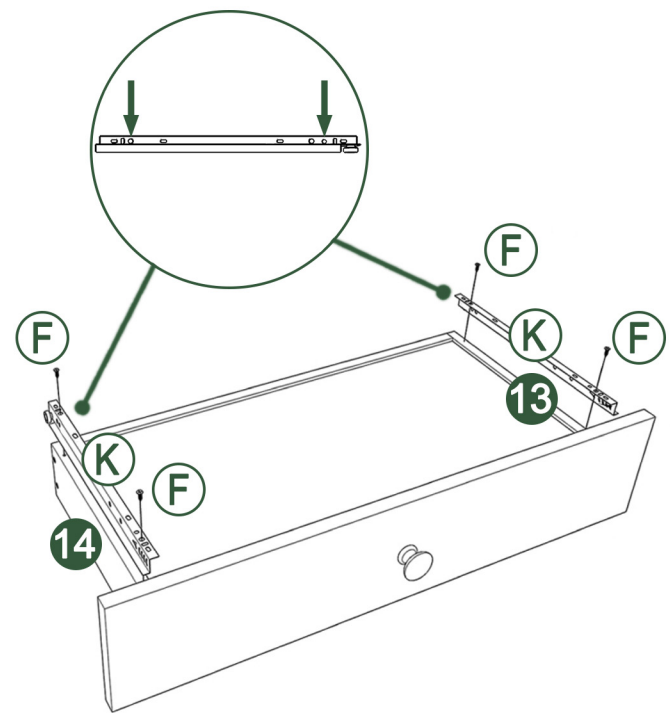
20.



21.



22.



23.

