

WARRANTY

WHAT IS COVERED

We warrant the product to be free from defects in material or workmanship for a period of one year from the date of original retail purchase. The word "defects" is defined as imperfections that impair the use of the product. Defects resulting from misuse, abuse or customer negligence will void this warranty.

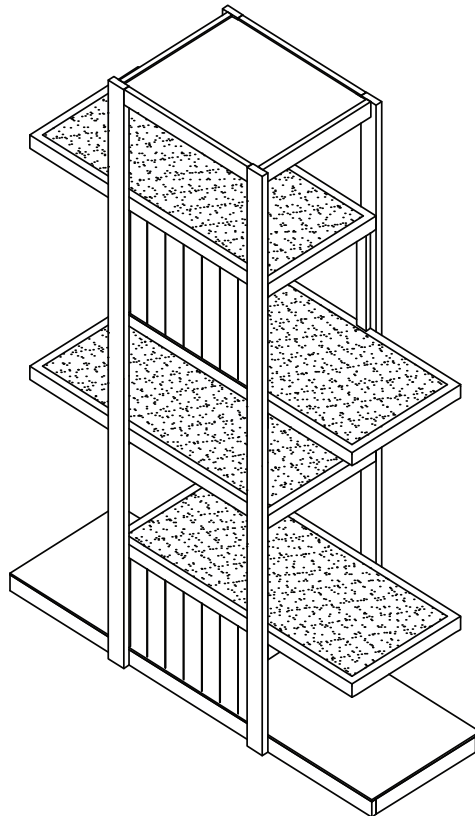
WHAT IS NOT COVERED

This warranty does not cover commercial use, hardware, acts of nature, fire, freezing and abusive use. This warranty does not cover defects due to alteration or accidents. This warranty does not cover scratches, scuffs or other cosmetic damages that may result from normal use of the product.

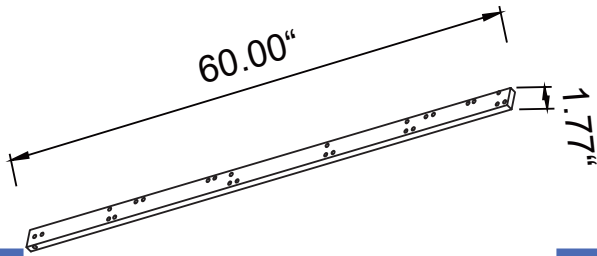
CARE INSTRUCTIONS

Thank you for choosing ZOOVILLAS[™] BOOKSHELF CAT TREE . With a little care and maintainance, the ZOOVILLAS[™] BOOKSHELF CAT TREE will provide you with comfort and enjoyment for many years to come!

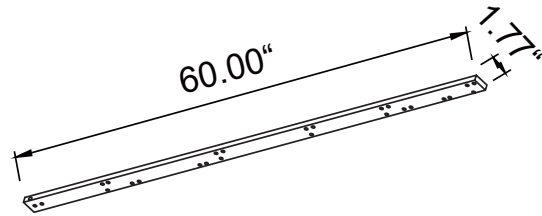
- To clean panels, use clean water on a damp cloth. This product is for indoor use only.
- When assembling ZOOVILLAS[™] BOOKSHELF CAT TREE, please handle all panels and/or hardware with care to avoid any possibilities of damages and/or injuries.
- Screw caps are optional for aesthetic purposes.



NOTE: Please read all instructions carefully before starting assembly. Also, we recommend that the unit is fully assembled on a level surface. Two people are recommended to assemble this product. DO NOT over torque screws and bolts.



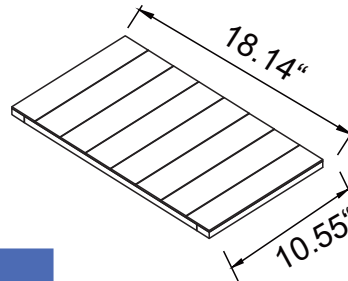
1 BAR 1 X 2PCS



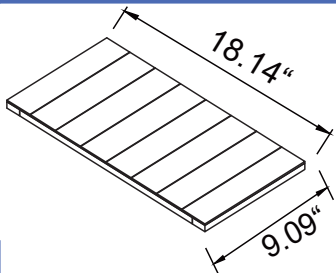
2 BAR 2 X 2PCS



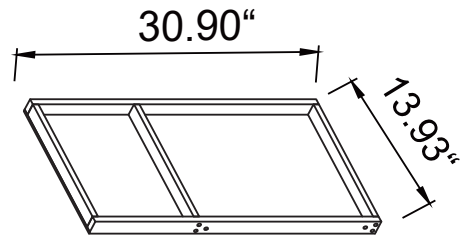
3 SIDE RAIL X 2PCS



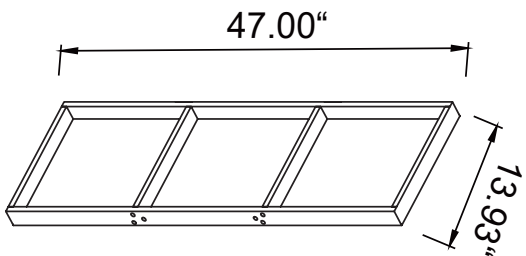
4 UPPER SIDE PANEL X 2PCS



5 LOWER SIDE PANEL X 2PCS



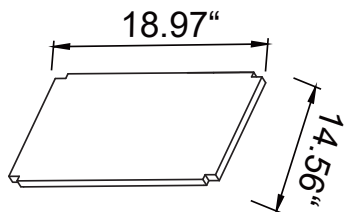
6 SHELF PANEL X 4PCS



7 BOTTOM PANEL X 1PC



8 FRONT RAIL X 2PCS

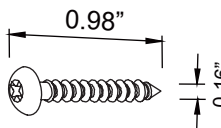


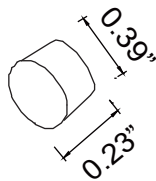
9 TOP PANEL X 1PC

NOTE: Please read all instructions carefully before starting a
 Also, we recommend that the unit is fully assembled on a level
 Two people are recommended to assemble this product.
 DO NOT over torque screws and bolts.

A  DOWEL _____ **44+4PCS**

B  SCREW _____ **44+4 PCS**

C  SCREW 4X25 _____ **16+2 PCS**

D  HOLE PLUG _____ **64+4 PCS**

E  SCREW _____ **4+1 PCS**

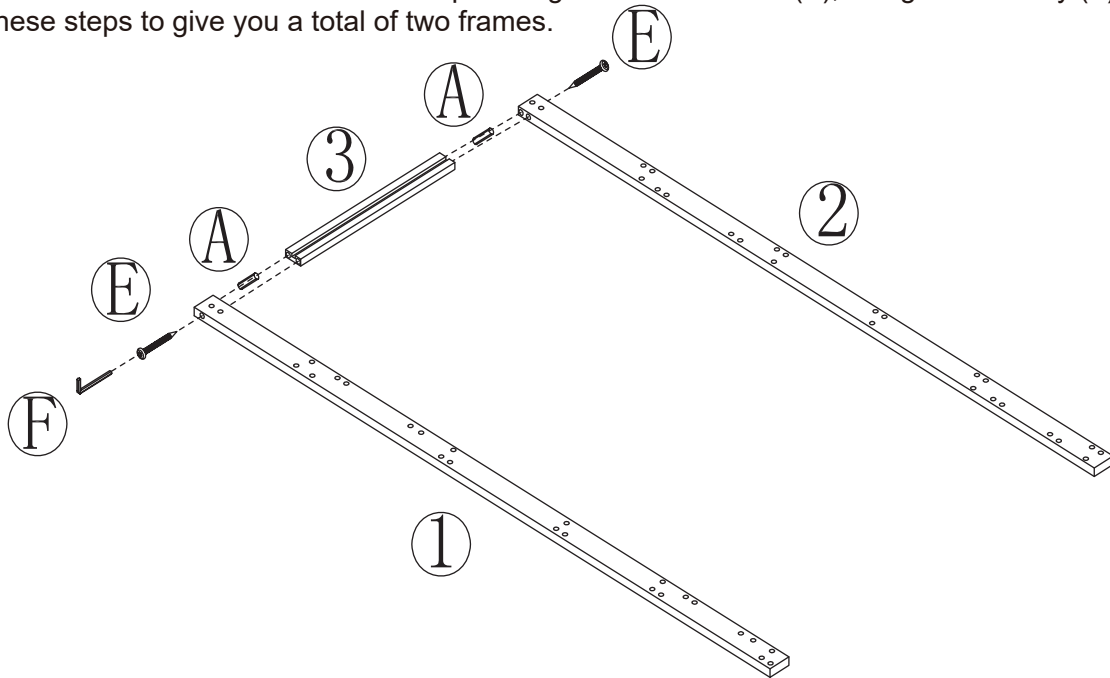
F  HEX KEY _____ **1 PC**

G  RUBBER PADS _____ **6 PCS**

NOTE: Please read all instructions carefully before starting assembly.
 Also, we recommend that the unit is fully assembled on a level surface.
 Two people are recommended to assemble this product.
 DO NOT over torque screws and bolts.

STEP 1: Insert the dowels (A) into the Side Rail (3), and then slide parts (3, 1, 2) together while aligning the dowels and holes. Fasten these parts together with screws (E), using the hex key (F). Repeat these steps to give you a total of two frames.

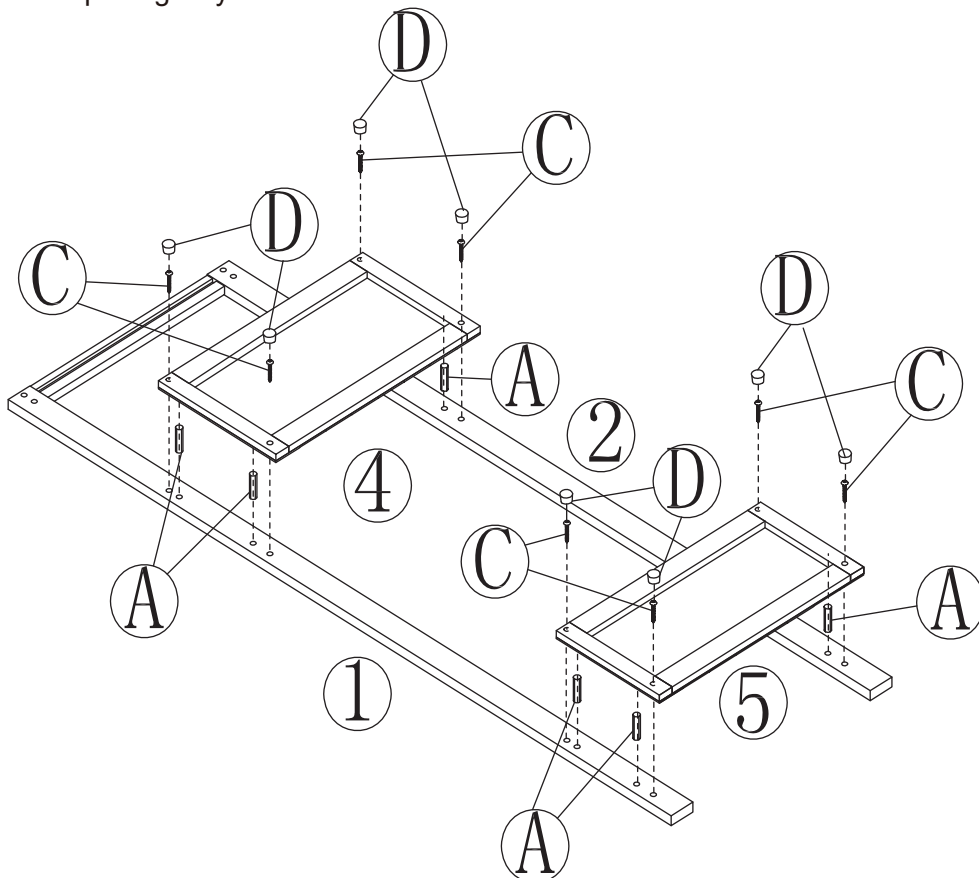
1



X2

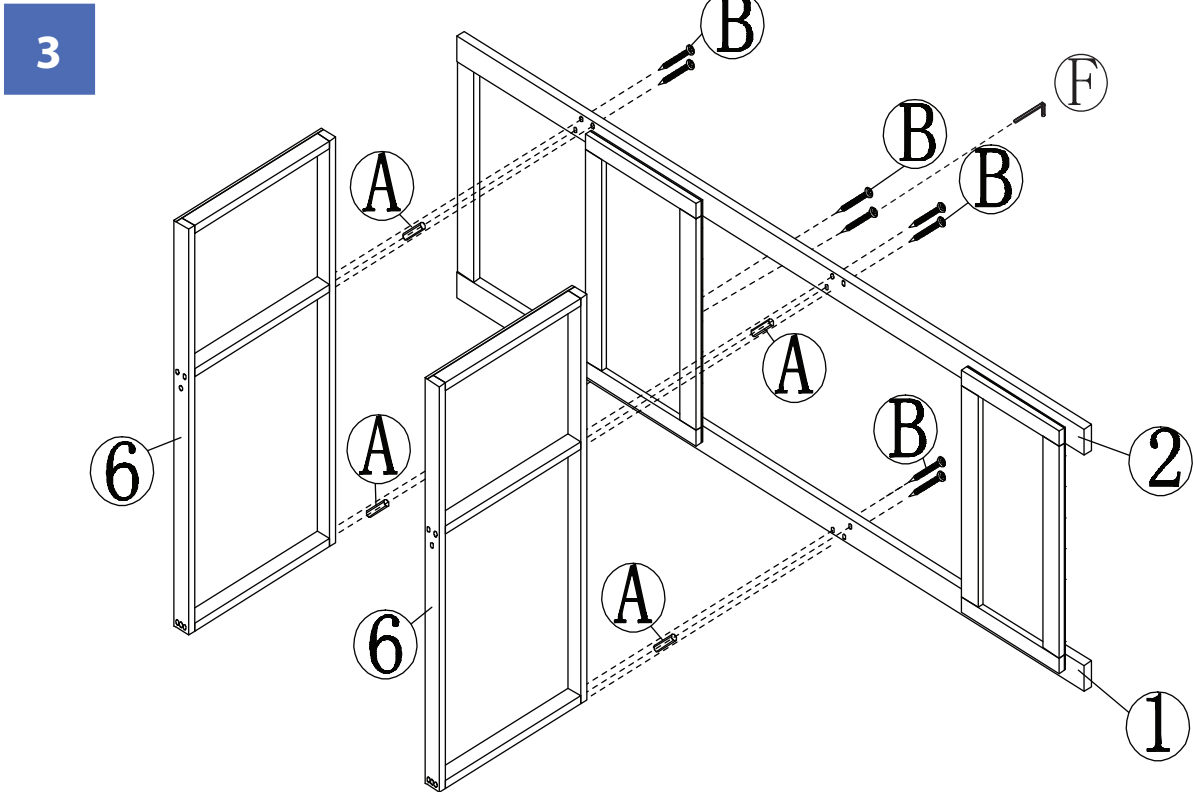
STEP 2: Insert the dowels (A) into Bar 1 (1) and Bar2 (2). Slide the Upper Side Panel (4) and Lower Side Panel (5) onto parts (1 & 2), while aligning the dowels and holes. Fasten these parts together with screws (C), using a screwdriver. Cover all the screws with the hole plugs (D). Repeat these steps to give you a total of two frames.

2

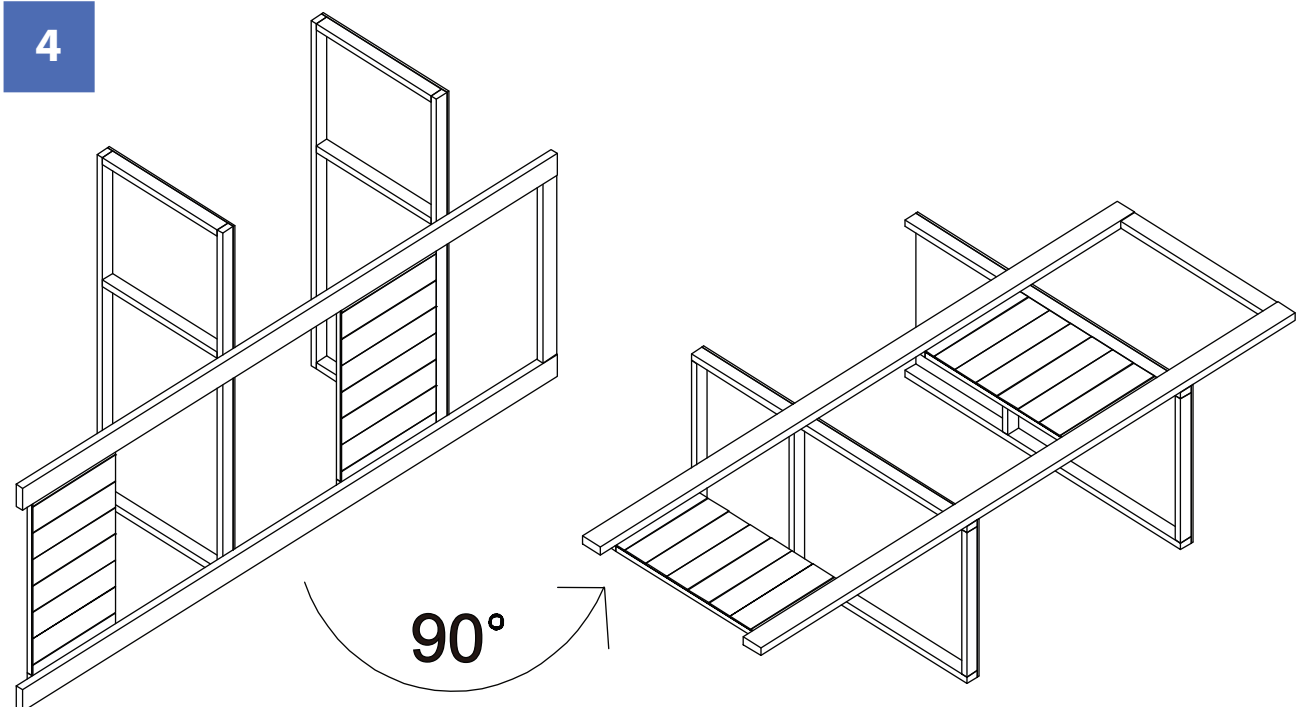


X2

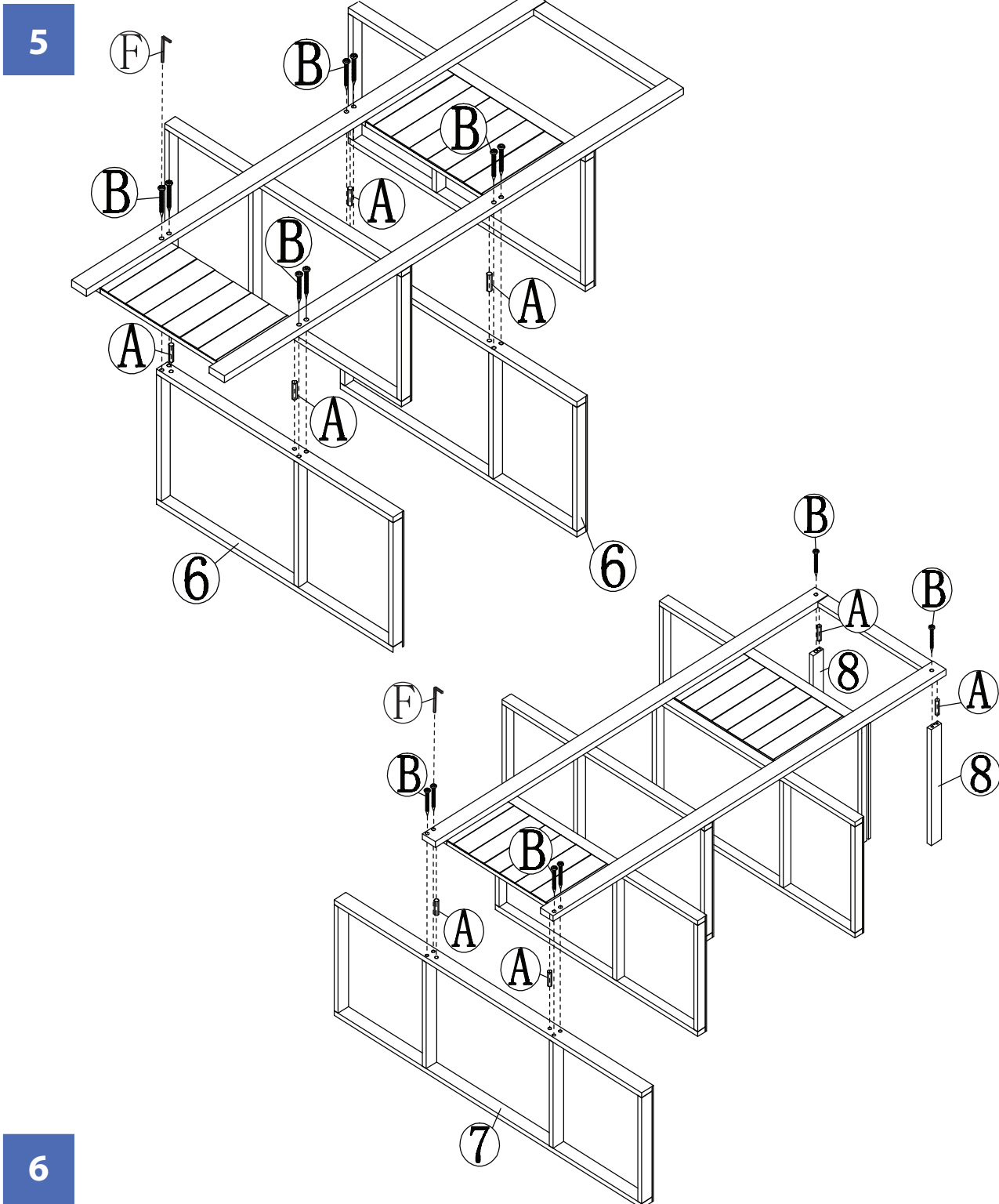
STEP 3: Insert the dowels (A) into two Shelf Panels (6), and slide these onto parts (1 & 2) while aligning the dowels and holes. Fasten these parts together with screws (B), using the hex key (F).



STEP 4: Turn over the partially assembled frame 90 degrees.



STEP 5: Insert the dowels (A) into the other two Shelf Panels (6), and fasten them to parts (1 & 2) with screws (B), using the hex key (F).

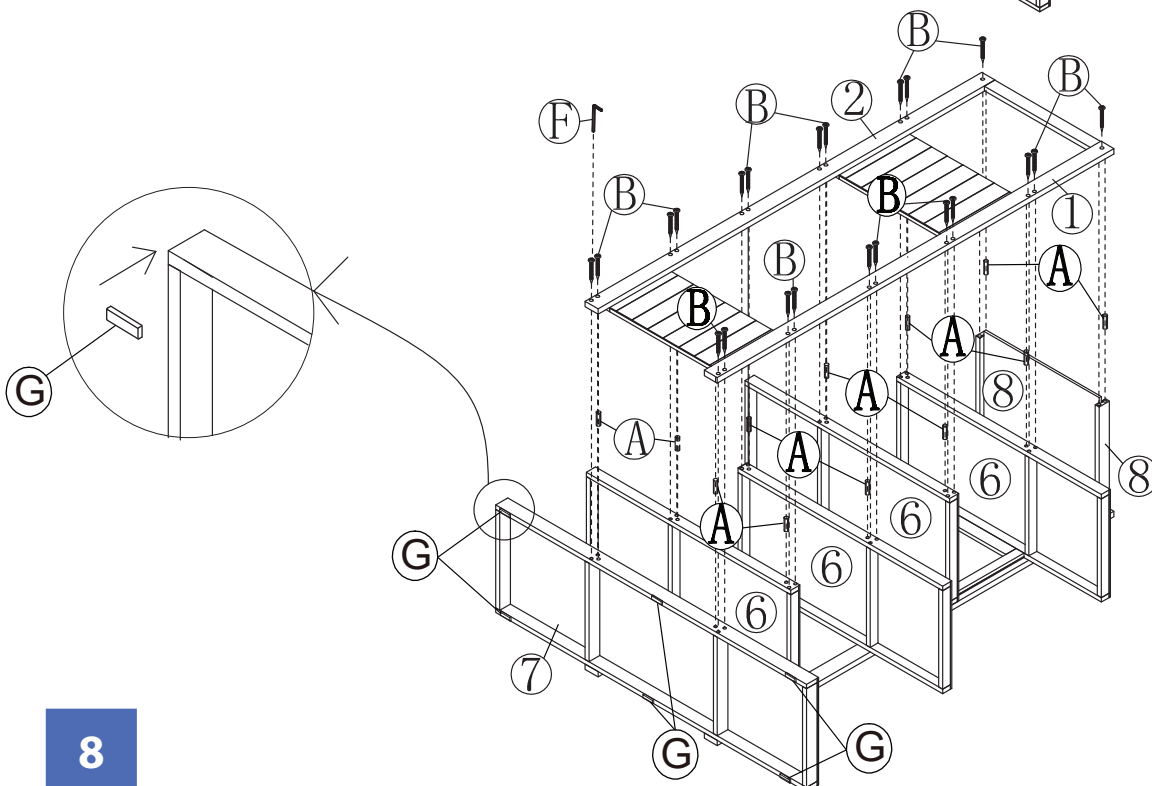
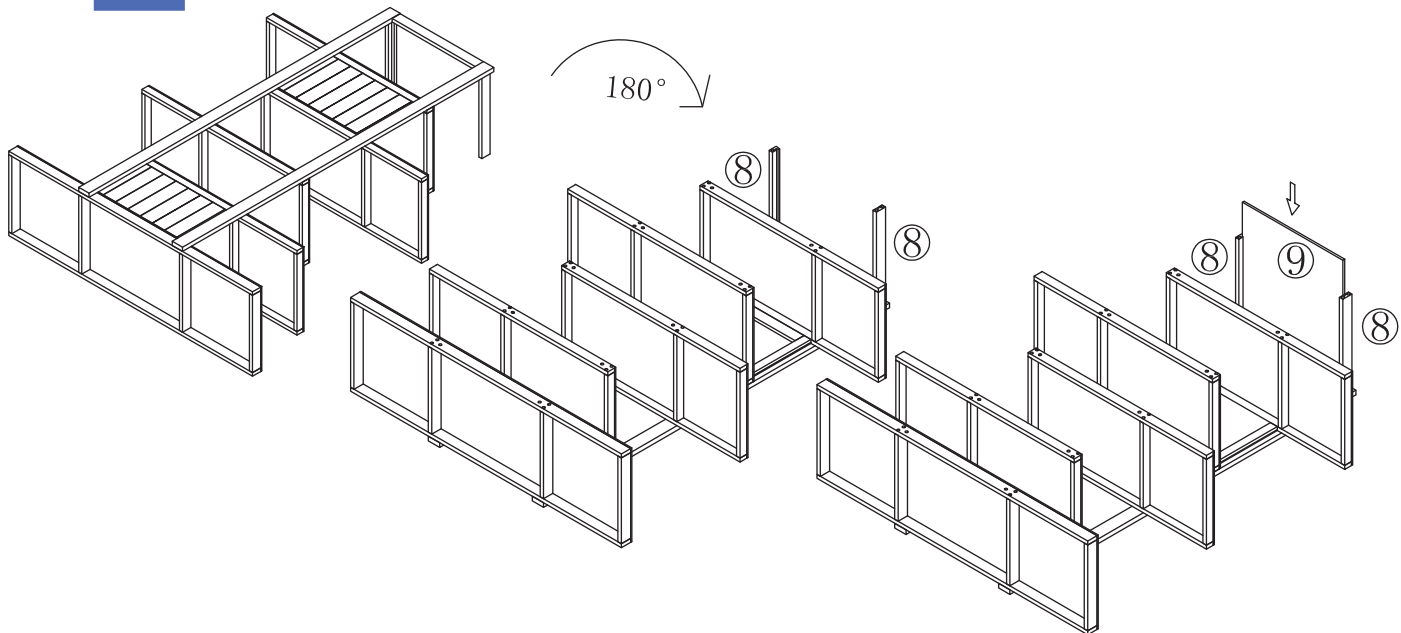


6

STEP 6: Insert the dowels (A) into the Front Rails (8) and the Bottom Panel (7). Fasten them to parts (1 & 2) with screws (B), using the hex key (F).

STEP 7: Turn over the partially assembled frame 180 degrees. Afterwards, slide the Top Panel (9) into the inner grooves on the Front Rails (8).

7

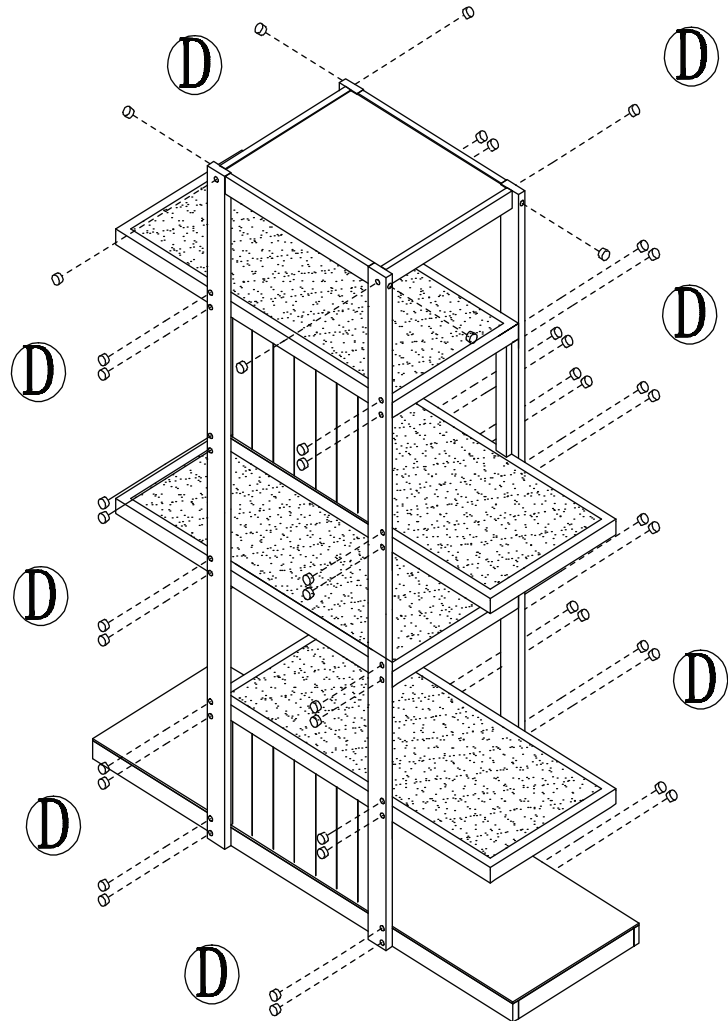


8

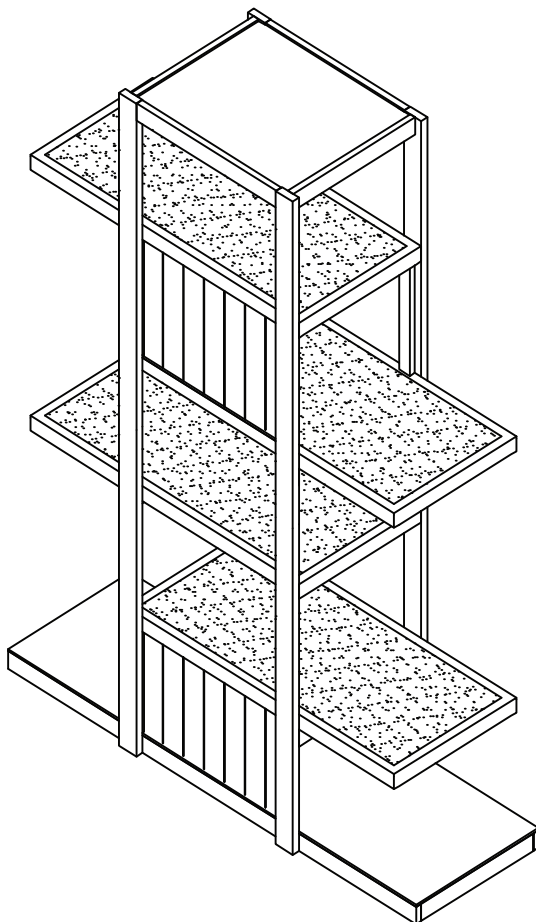
STEP 8: Insert the dowels (A) into the four Shelf Panels (6), two Front Rails (8), and the Bottom Panel (7). Align all of the dowels and holes and then carefully lower the second side frame from step 2, onto the partially assembled frame. Fasten parts (1 & 2) onto parts (6, 7, 8) with screws (B), using the hex key (F). Attach rubber feet (G) to the bottom panel (7).

STEP 9: Cover all the screws with the remaining 48 hole plugs (D).

9



10



STEP 10: Assembly is complete!

Please check contents before assembly. If any items are missing or damaged, do not take the unit back to the store. Call (775) 629-5029 or email: service@merryproducts.com for customer service and we will save you time by correcting any problems directly for you.

NOTE: Please read all instructions carefully before starting assembly. Also, we recommend that the unit is fully assembled on a level surface. Two people are recommended to assemble this product. DO NOT over torque screws and bolts.