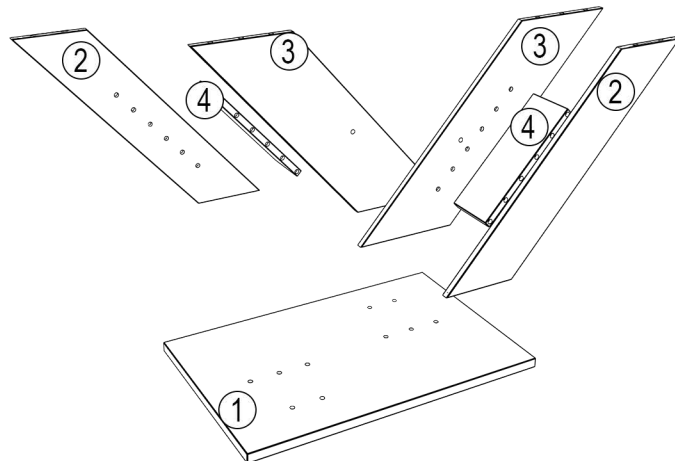
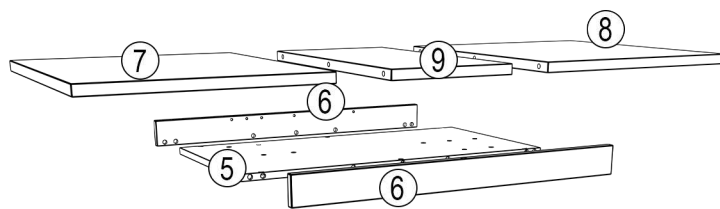
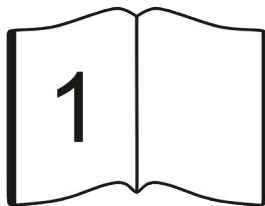
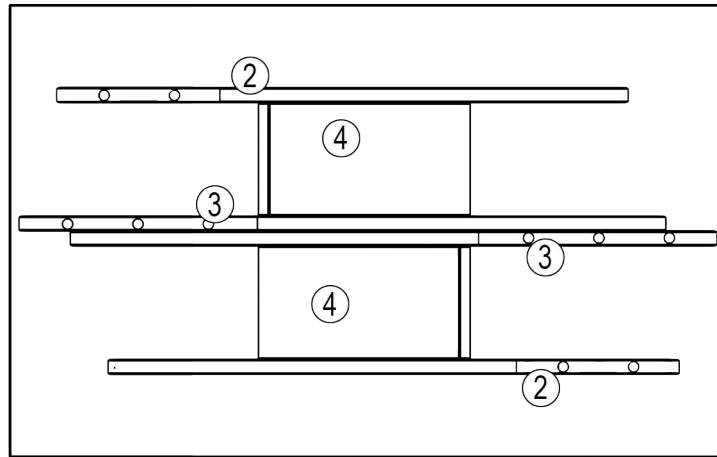
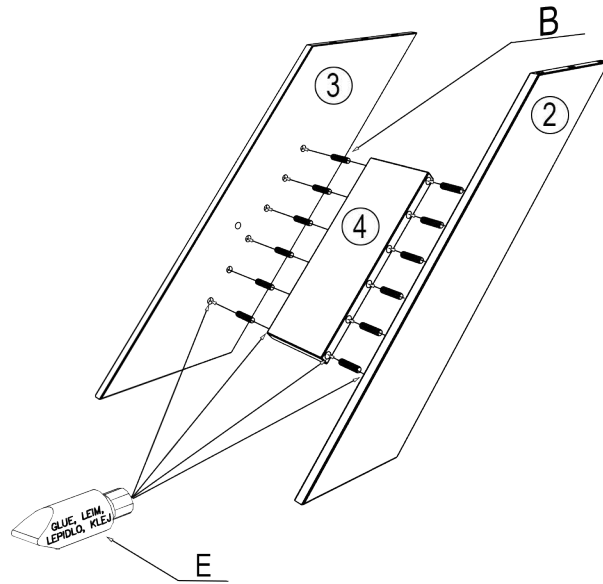


A 7x60 x10	A1 7x50 x10	B 8x30 x32	C x6	D x1	E GLUE LEIM LEPIDLO KLE x1
F x1	G x8	G1 x8	H x4	I 4x15 x8	J 6,3x13 x30
K x1	N x6	Y x6	Z x6		

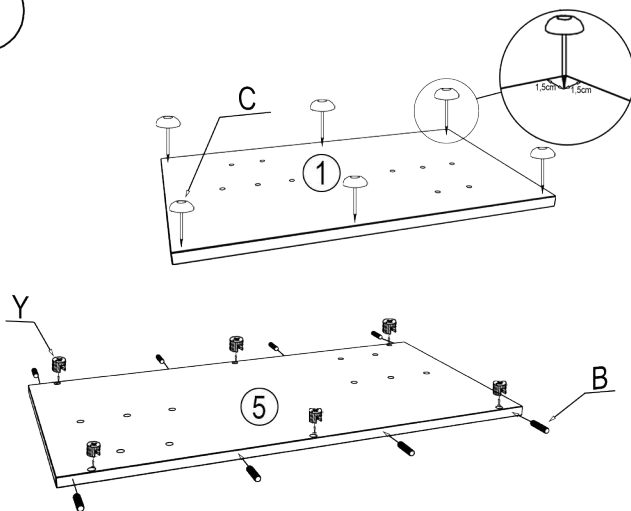


I

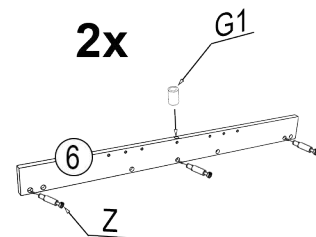
2x



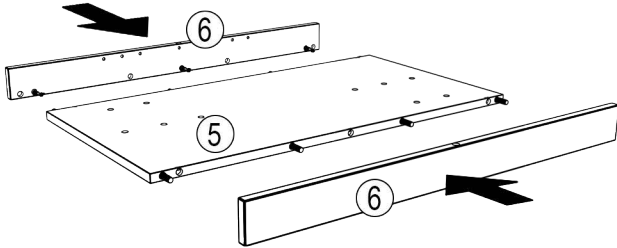
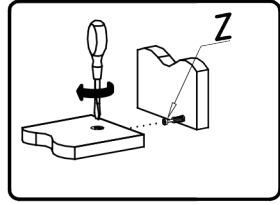
II



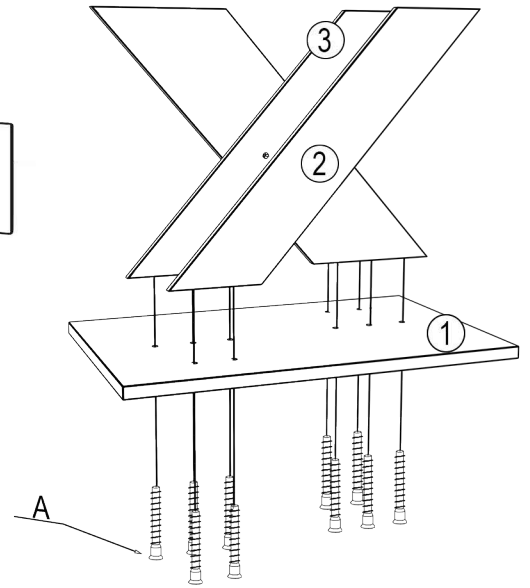
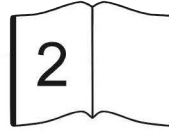
2x



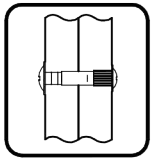
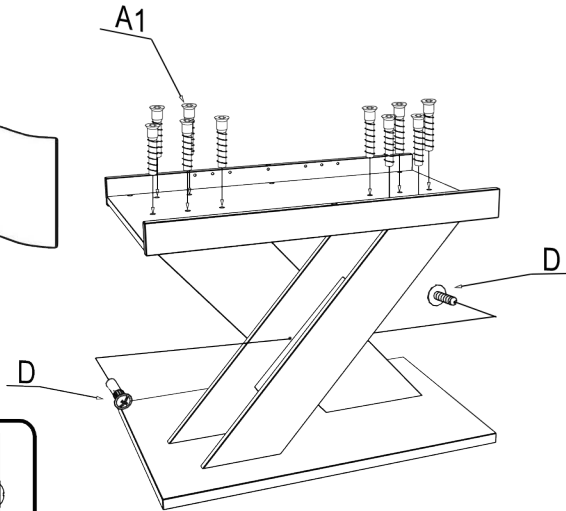
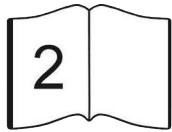
III



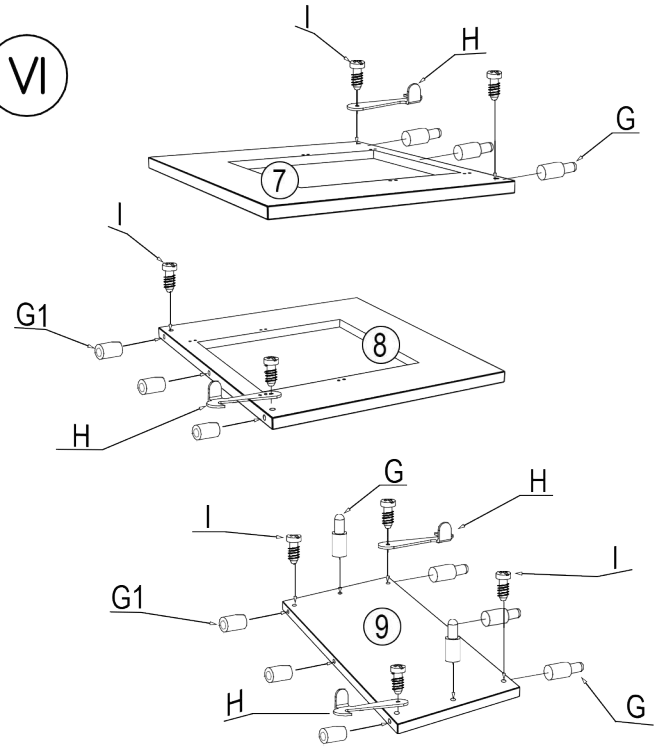
IV



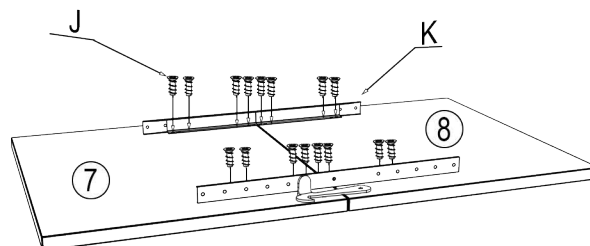
V



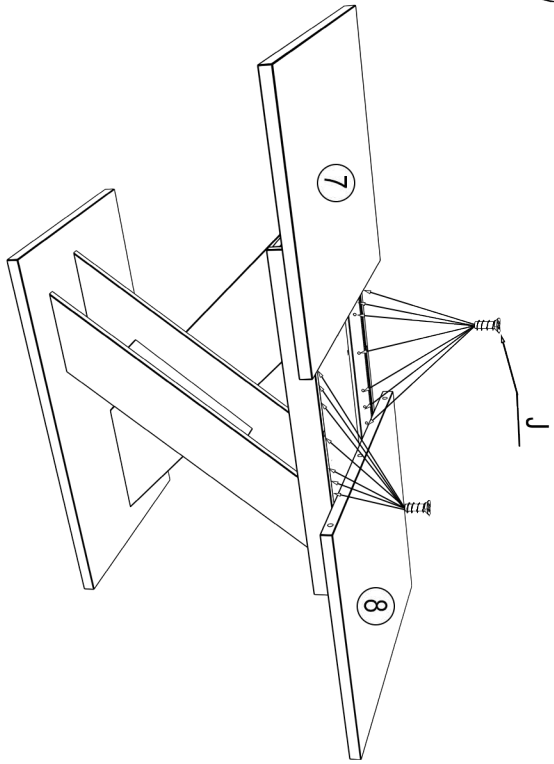
VI



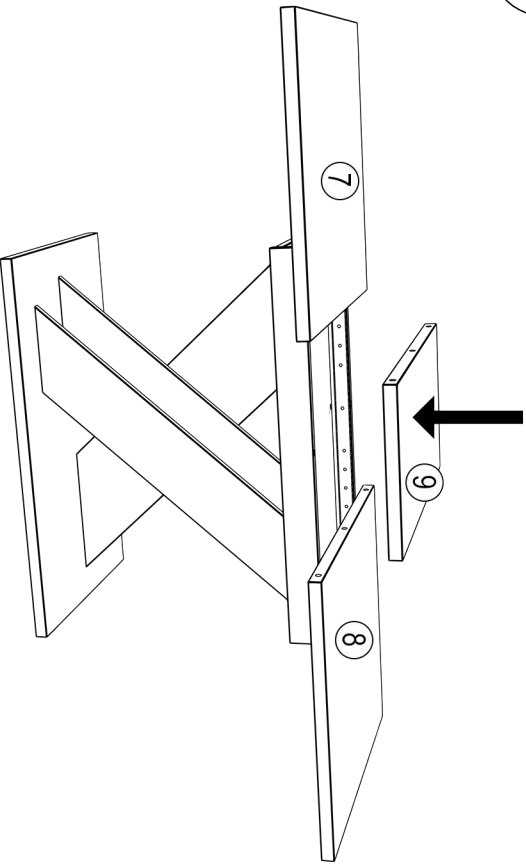
VII



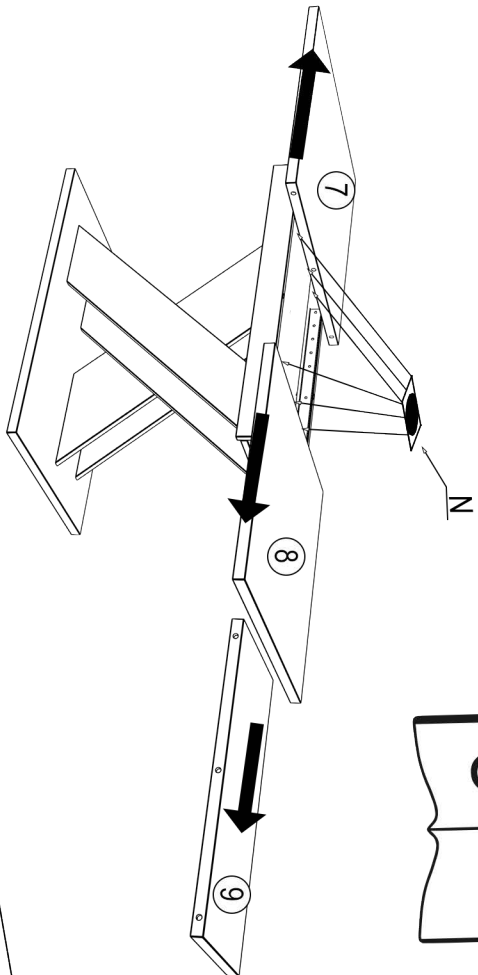
VIII



X



IX



XI

