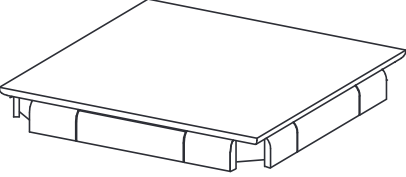
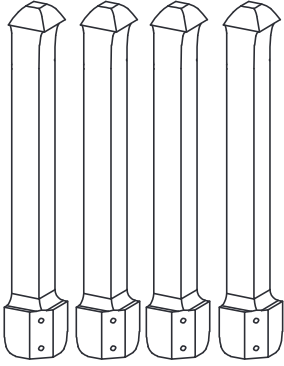
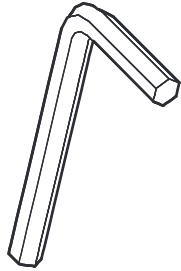
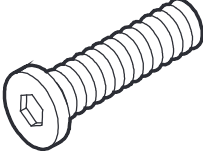




ASSEMBLY INSTRUCTIONS FOR BETHANY GAME TABLE <BTH-330>

WHAT'S INCLUDED

<p>A</p>  <p>TABLE TOP</p>	<p>B</p>  <p>TABLE LEGS 4 PCS</p>	<p>C</p>  <p>ALLEN KEY</p>	<p>D</p>  <p>BOLTS 8 PCS</p>	<p>E</p>  <p>LOCKWASHERS 8 PCS</p>	<p>F</p>  <p>WASHERS 8 PCS</p>
--	---	--	--	--	--

- 1** Place the Table Top **A** upside down on a soft, flat surface such as a moving blanket as shown.
- 2** With the allen key provided, fasten each Table Leg **B** into each of the corners using the bolts **D**, the lock washers **E**, and the washers **F** as shown.
- 3** With the assistance of another person, carefully lift and turn the table upright. Ensure all fasteners are fully tightened. The assembly is now complete. To clean, use a soft dry cloth.

