

**INSTRUCTION MANUAL ENCLOSED**

**ATTENTION**

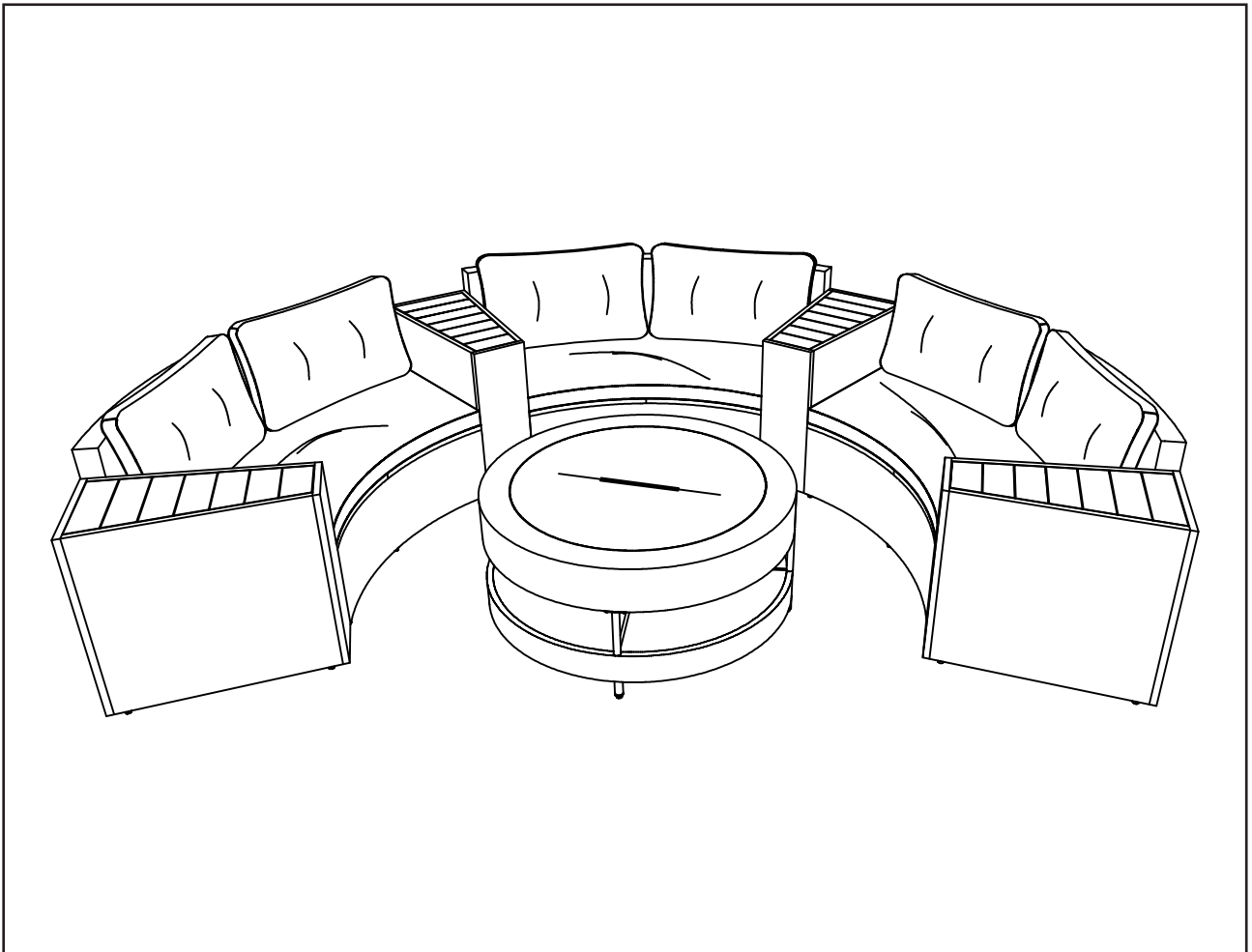
**IF YOU HAVE ANY PROBLEMS OR QUESTIONS, EMAIL OR CALL  
CUSTOMER SERVICE BEFORE YOU RETURN THIS PRODUCT TO THE  
STORE WHERE IT WAS PURCHASED.**

**\*\*When emailing Customer Service, please include your **Order Number** and **platform of purchase** in the email subject for quicker assistance.**

**INSTRUCTION MANUAL ENCLOSED**

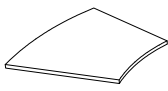
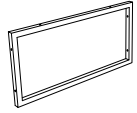

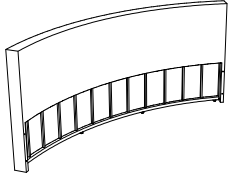


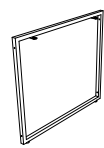





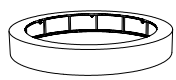
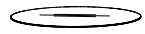
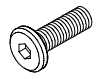
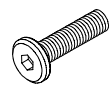
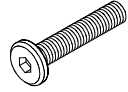

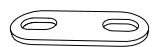

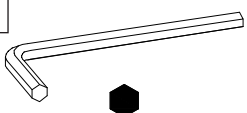
**SOFA**

**SOFA ASSEMBLY INSTRUCTION**



# PARTS LIST

Part	Description	Quantity
<b>PARTS</b>		
1	Bench seat	6
2	Bench brace	6
3	Bench panel	3
4	Bench backrest	3
5	Bench cushion	3
6	Pillow	6
7	Side table leg	8
8	Side table front panel	4
9	Side table back panel	4
10	Polywood side table top	4
11	Round table shelf	1
12	Round table leg	4
13	Round table frame	1
14	Glass round table top	1
<b>HARDWARE</b>		
A	Bolt M6x10 mm	24
B	Bolt M6x20 mm	36
C	Bolt M6x40 mm	80
D	Washer Ø6x14x1 mm	140
E	Pat 50x20x2.5 mm	18
F	Connection 62x40x32 mm	12
G	Allen key 4x98 mm	3

1  x6	2  x6	3  x3	4  x3
5  x3	6  x6	7  x8	8  x4
9  x4	10  x4	11  x1	12  x4
13  x1	14  x1	A  M6x10 mm x24	B  M6x20 mm x36
C  M6x40 mm x80	D  Ø6xØ14x1 mm x140	E  50x20x2.5 mm x18	F  62x40x32 mm x12
G  4 mm x3			

## PLEASE READ AND FOLLOW ALL SAFETY TIPS

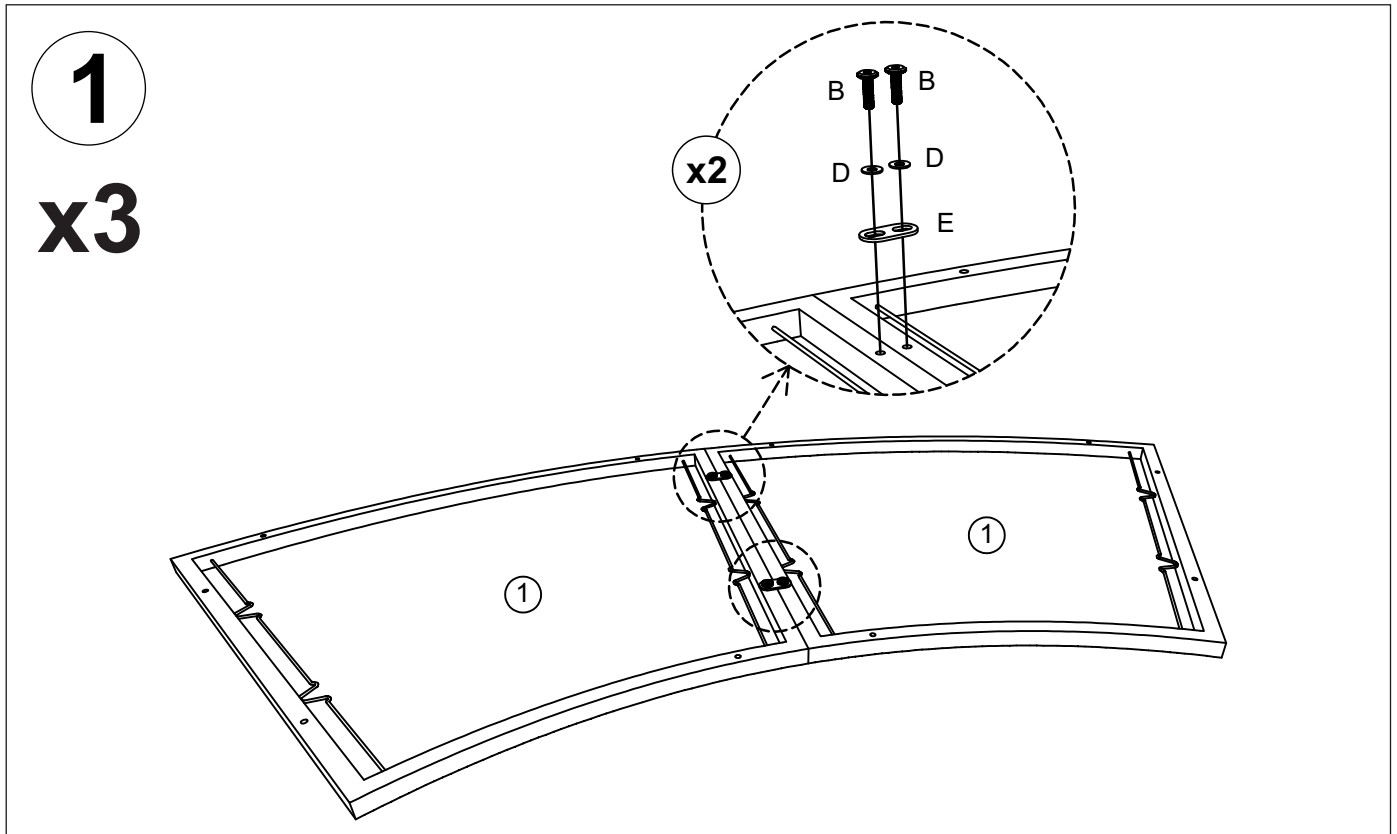
### GETTING STARTED

1. Before assembly, CAREFULLY use scissors or utility knife to cut and unwrap all parts. Make sure you do not discard the hardware.
2. Make sure that you have all the parts listed. If you are missing any parts, please email us. Please identify the parts you need and model number. Make sure to include your name and address.
3. Please include your **Order Number** and **platform of purchase** in the email subject, and one of our customer service representative will get back to you.

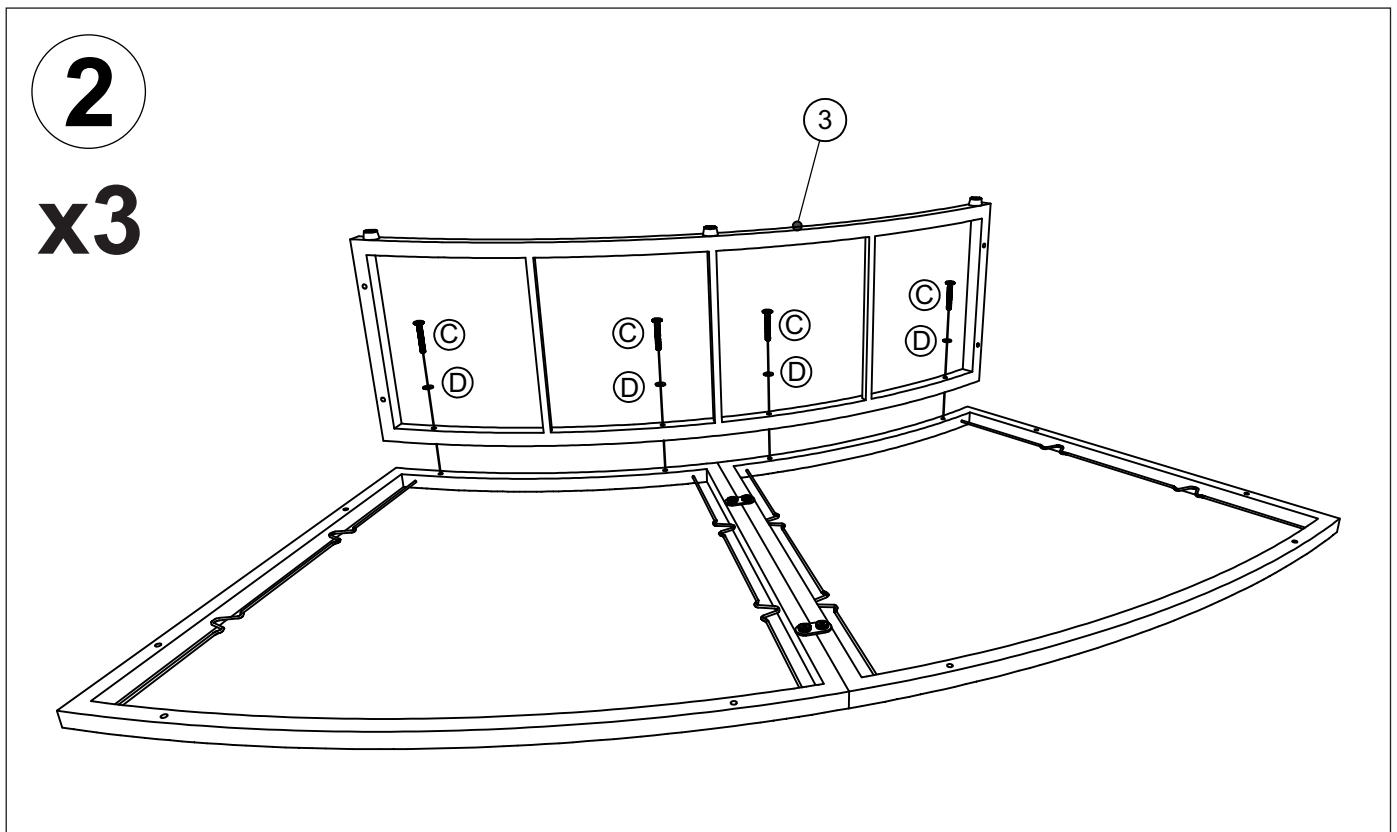
### Warm Tips:

1. The plastic covers on some metal parts are just for product protection. Please remove it before assembly.
2. Please follow the sequence of AI during assembly.
3. Do not tighten the screws until all of them are in right positions.

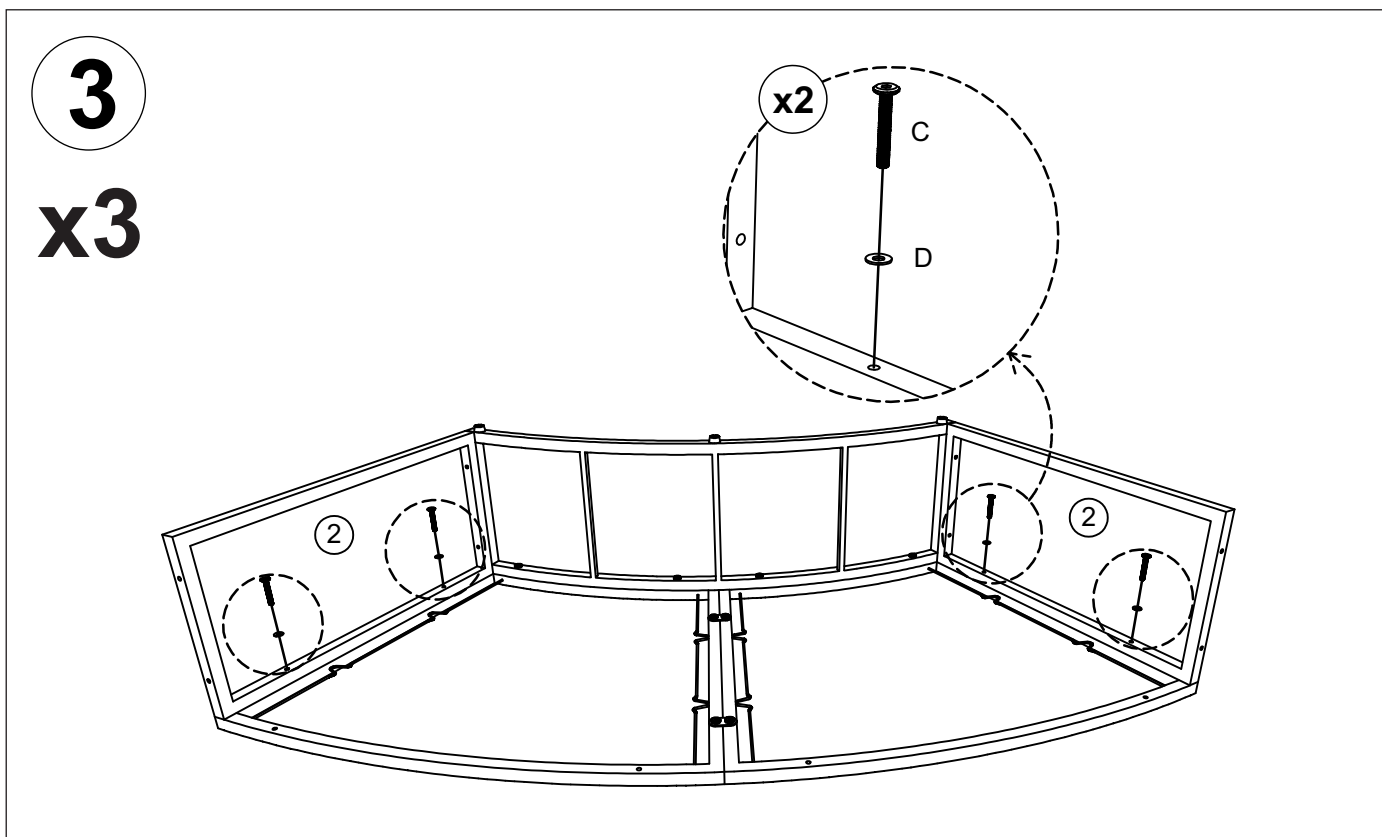
1. Locate 2 bench seat (1) by the pre-drilled threads.  
Use Allen Key (G) to tighten Bolts (B), Washers (D) and Pat (E).  
Note: only tighten 60% (Photo 1).



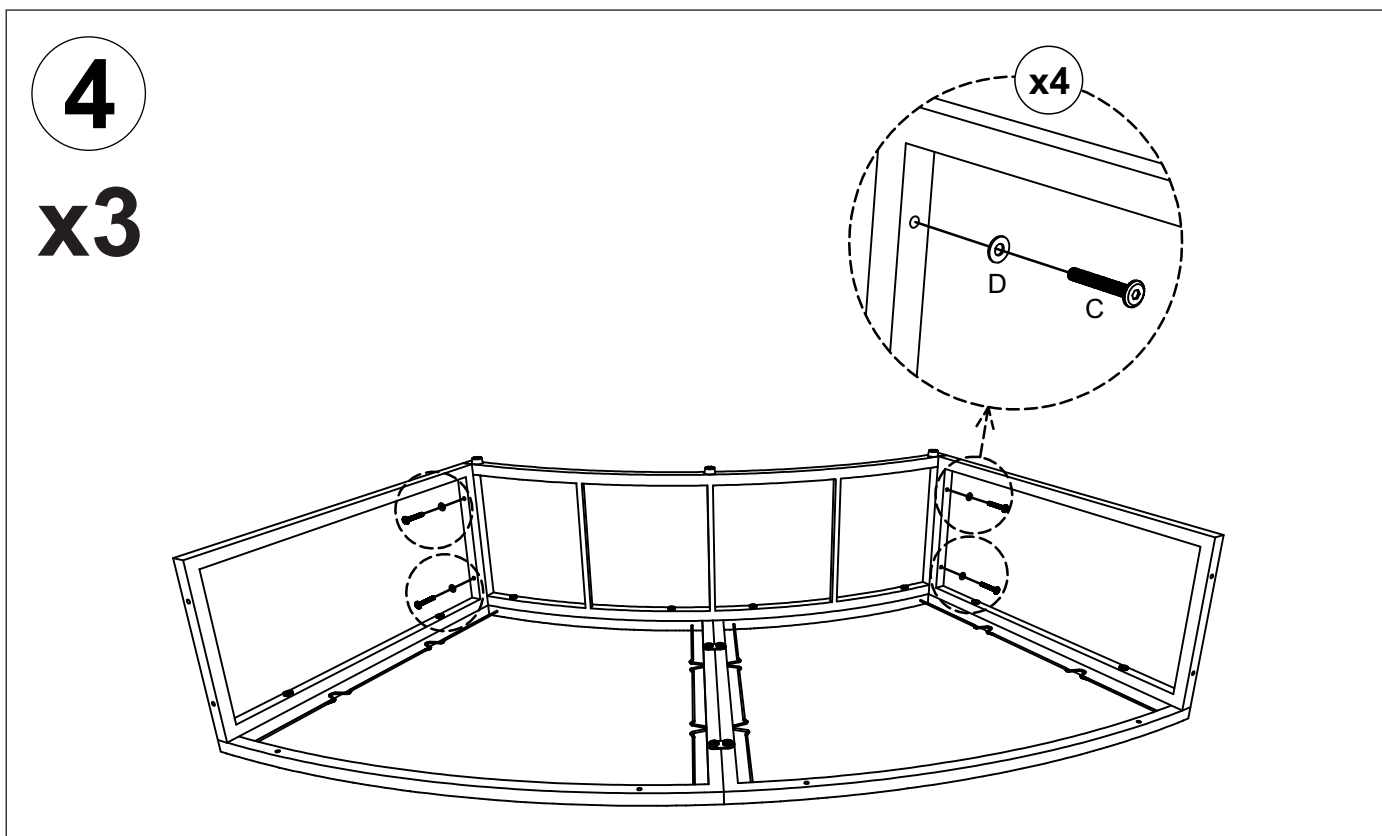
2. Locate o1 bench panel (3) to 2 bench seat (1) by the pre-drilled threads.  
Use Allen Key (G) to tighten Bolts (C) and Washers (D).  
Note: only tighten 60% (Photo 2).



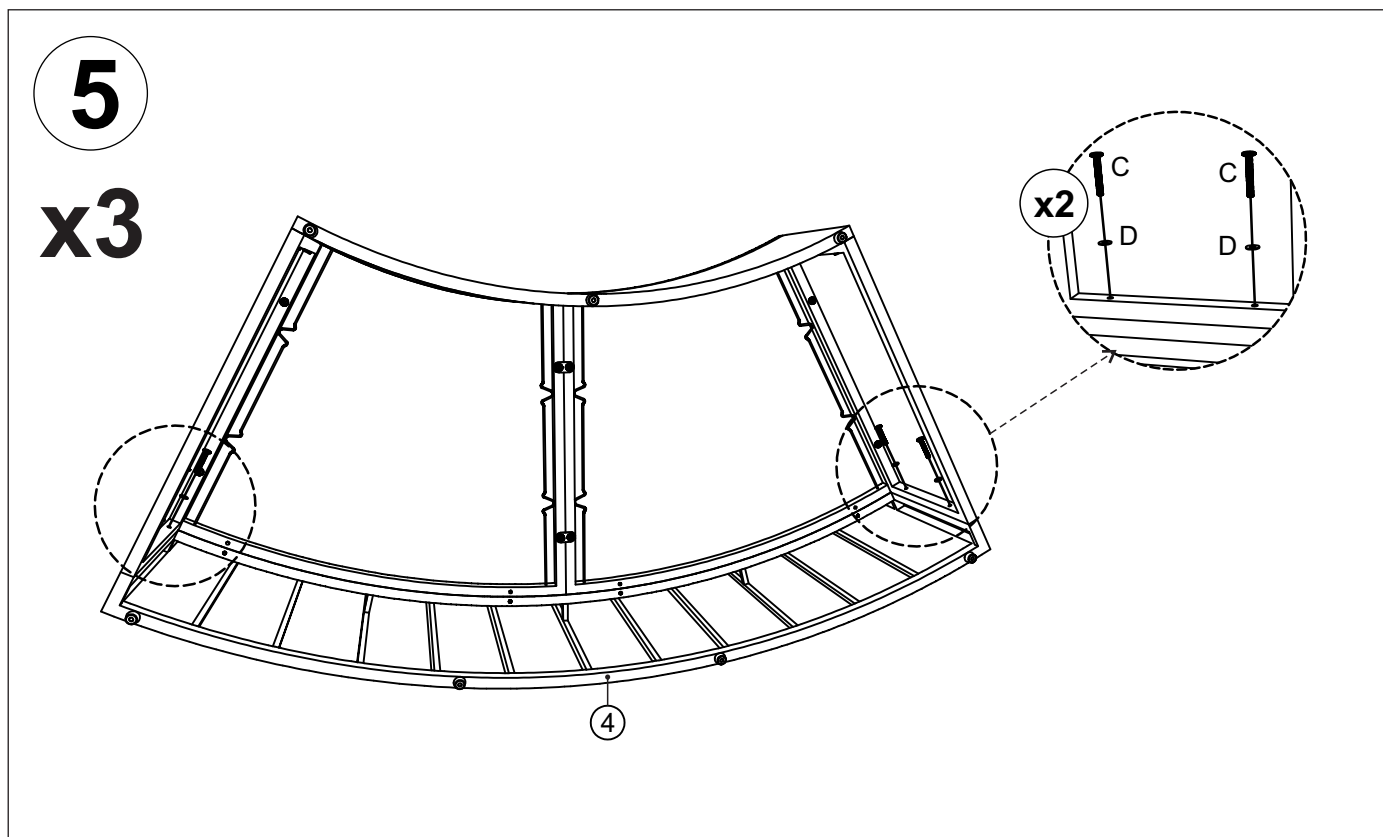
3. Locate 2 bench brace (2) to 2 bench seat (1) by the pre-drilled threads.  
Use Allen Key (G) to tighten Bolts (C) and Washers (D).  
Note: only tighten 60% (Photo 3).



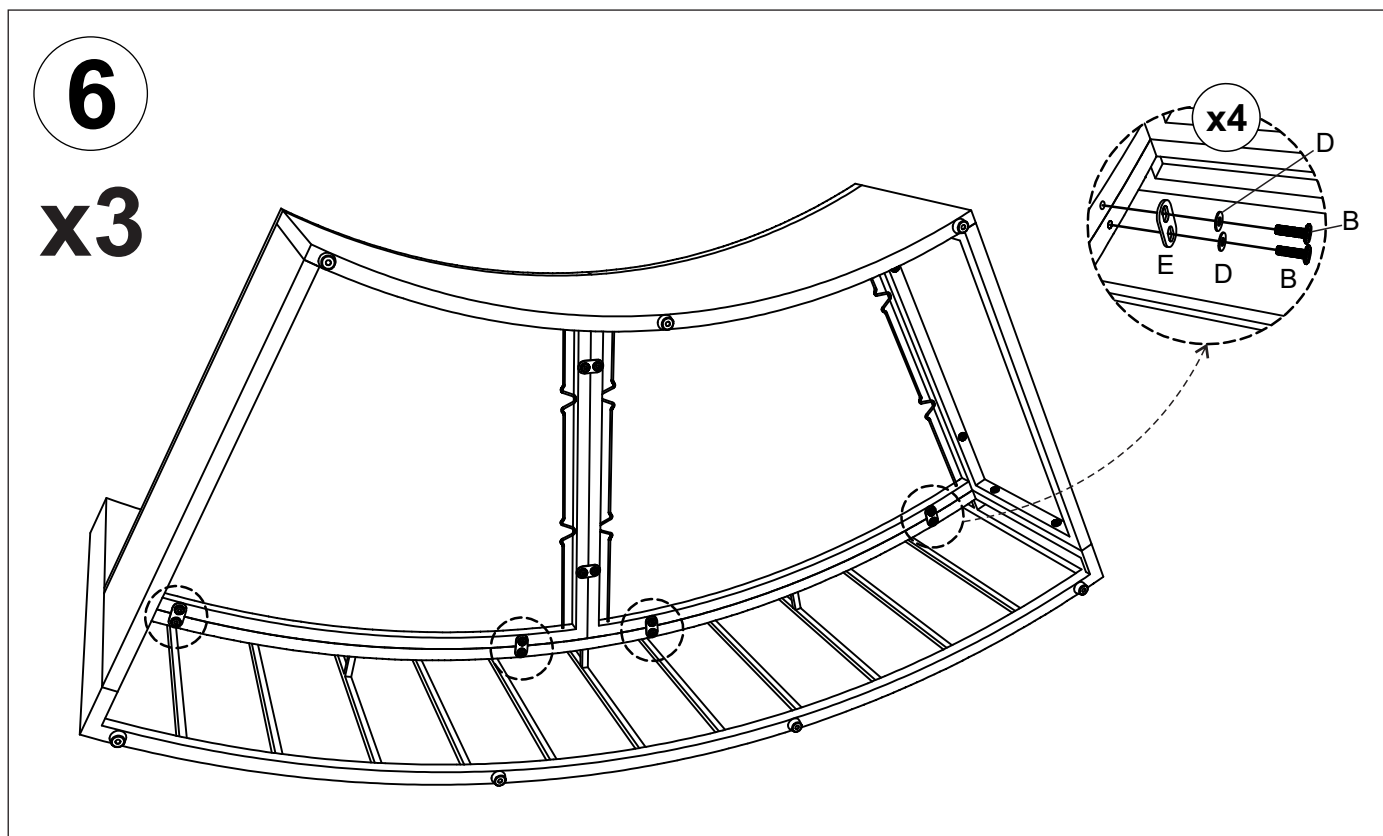
4. Use Allen Key (G) to tighten Bolts (B) and Washers (D).  
Note: only tighten 60% (Photo 4).



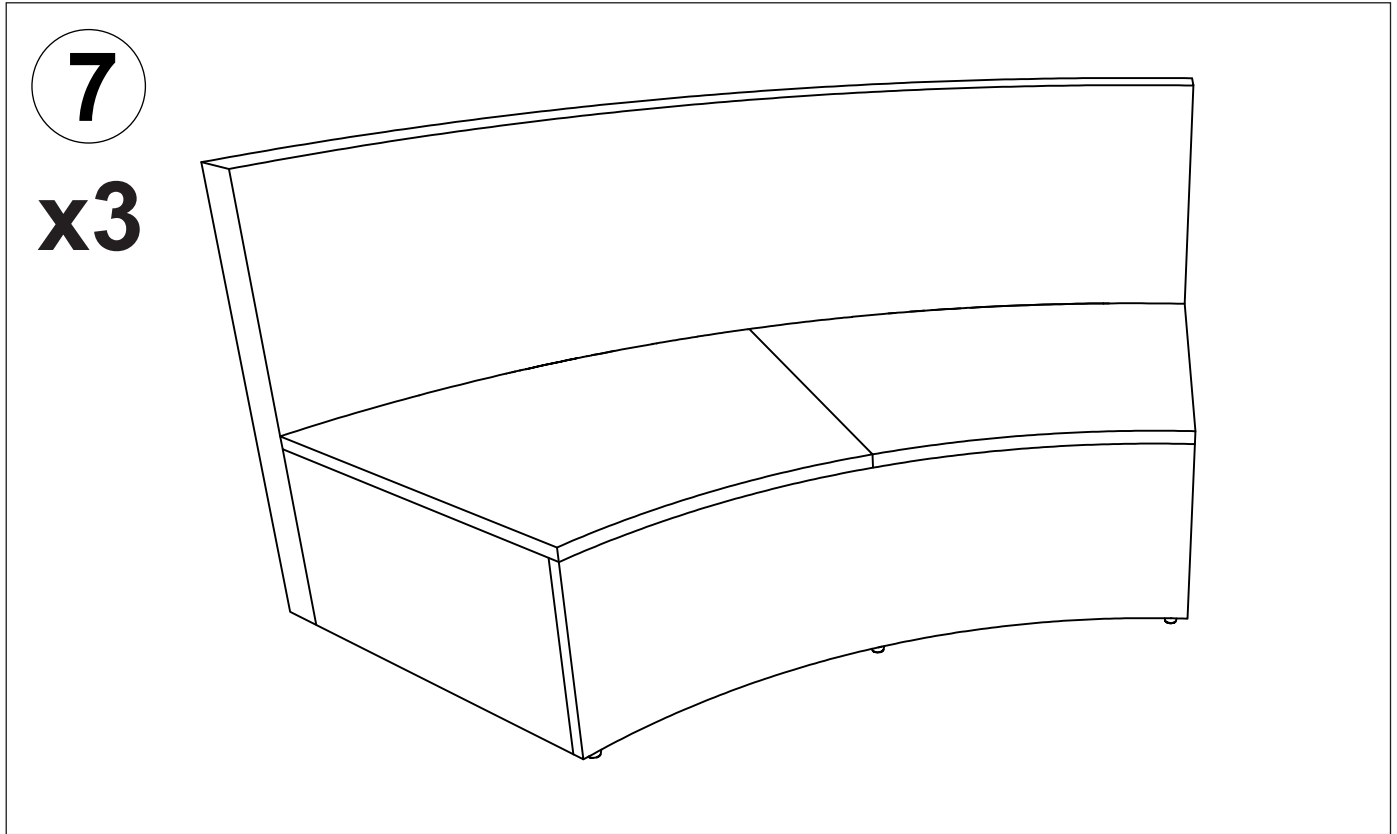
5. Locate 1 bench backrest (4) to 2 bench brace (2) by the pre-drilled threads.  
Use Allen Key (G) to tighten Bolts (C) and Washers (D).  
Note: only tighten 60% (Photo 5).



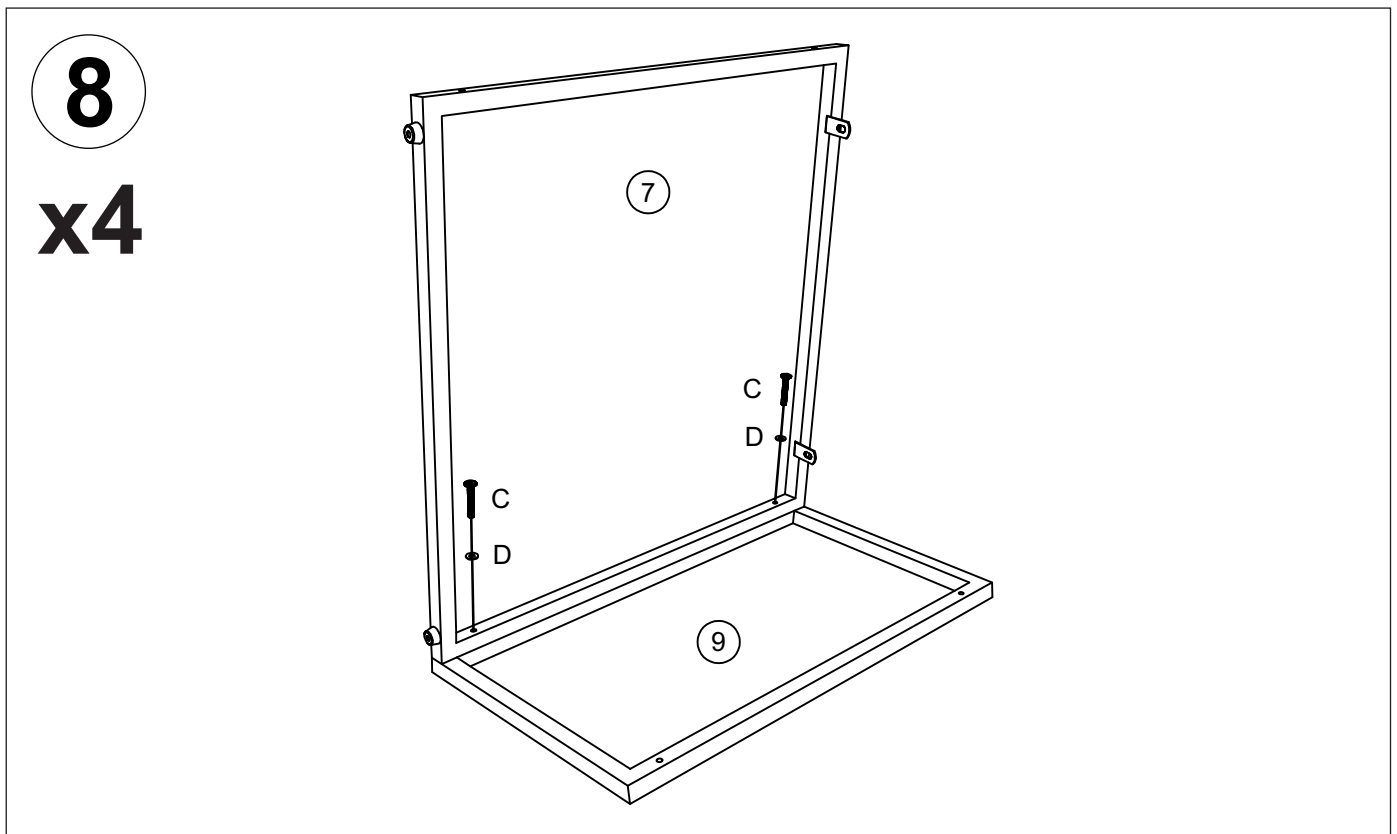
6. Locate 2 bench seat (1) to 1 bench backrest (4) by the pre-drilled threads.  
Use Allen Key (G) to tighten Bolts (B), Washers (D) and Pat (E).  
Note: only tighten 60% (Photo 6).



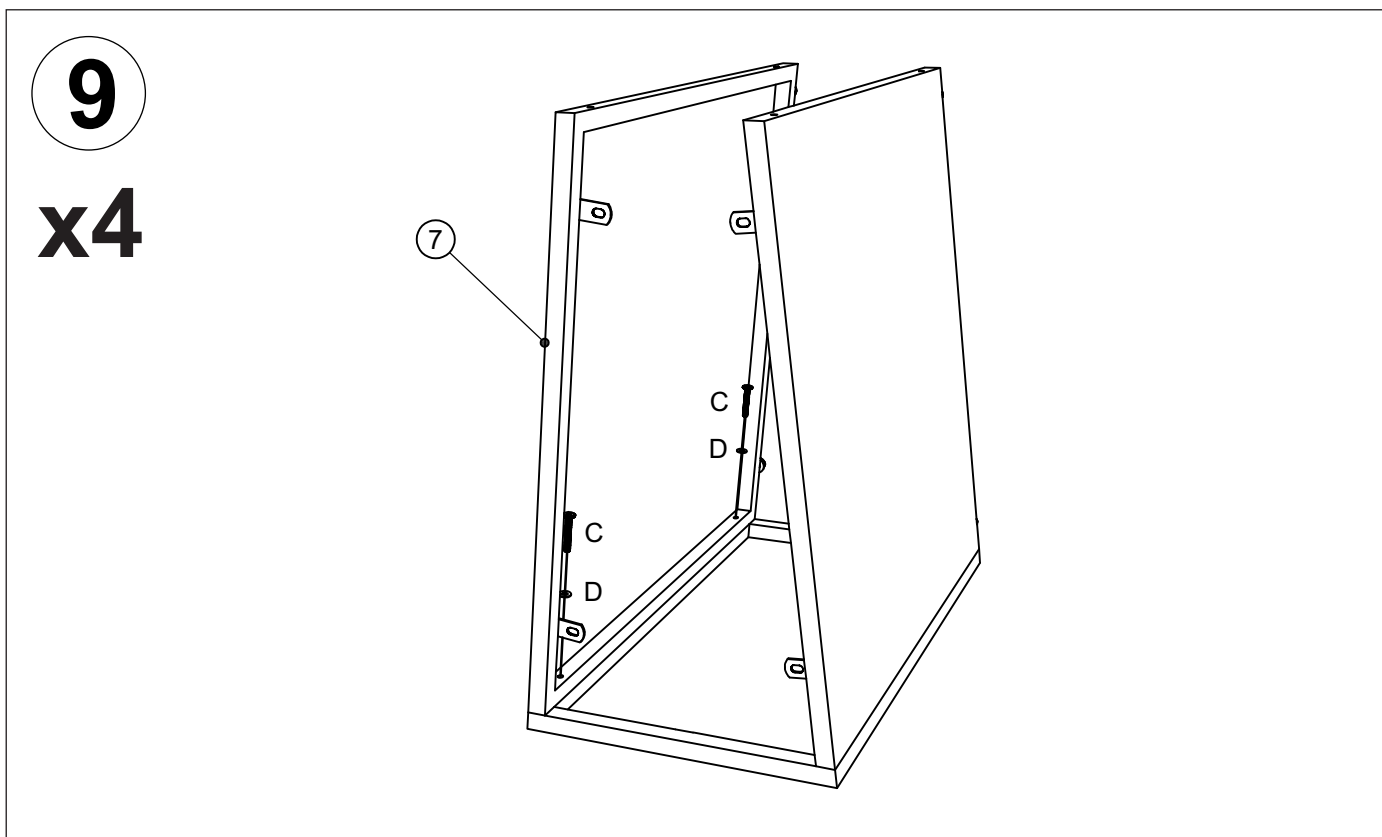
7. Use Allen Key (G) to tighten all Bolts 100% (Photo 7).



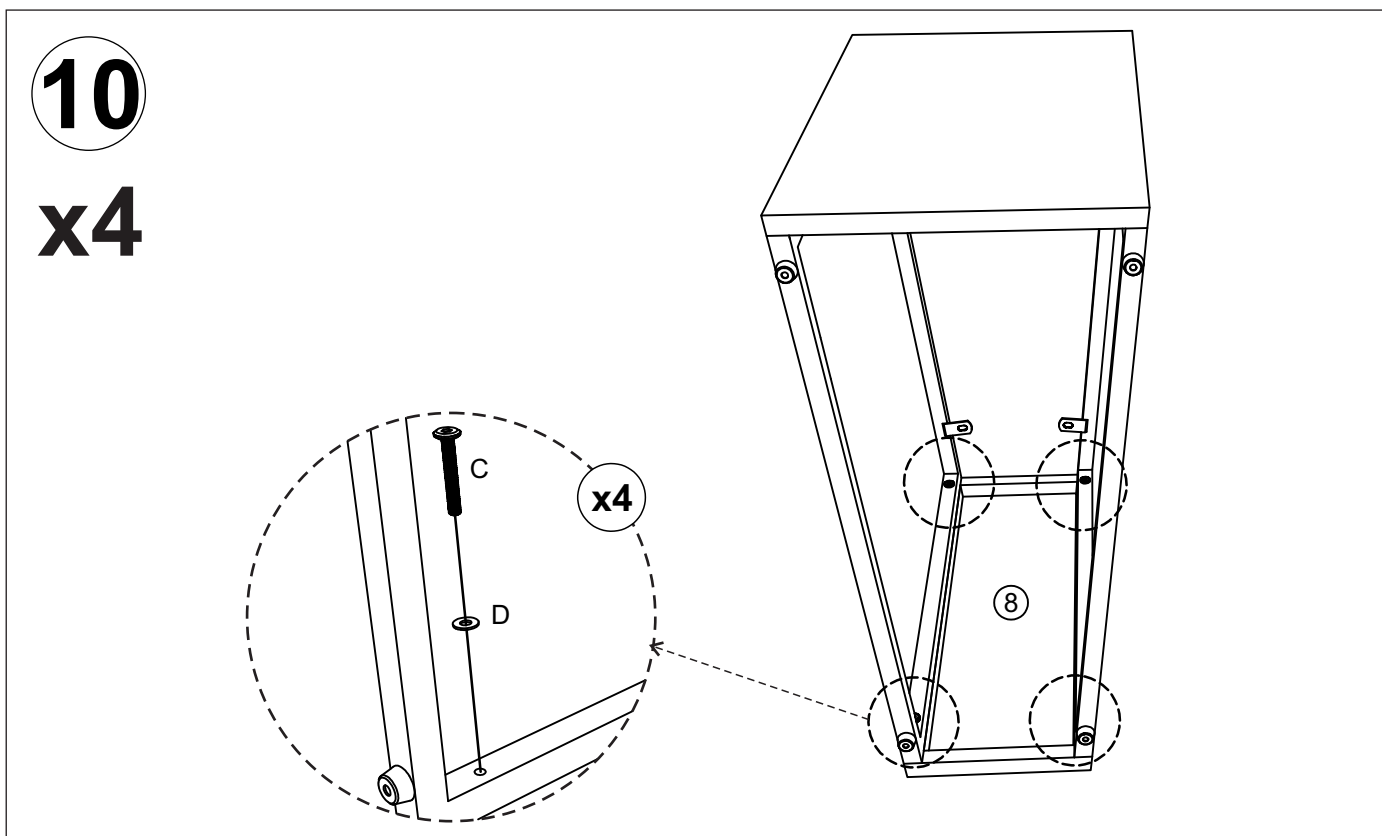
8. Locate 1 side table leg (7) to 1 side table back panel (9) by the pre-drilled threads. Use Allen Key (G) to tighten Bolts (C) and Washers (D). Note: only tighten 60% (Photo 8).



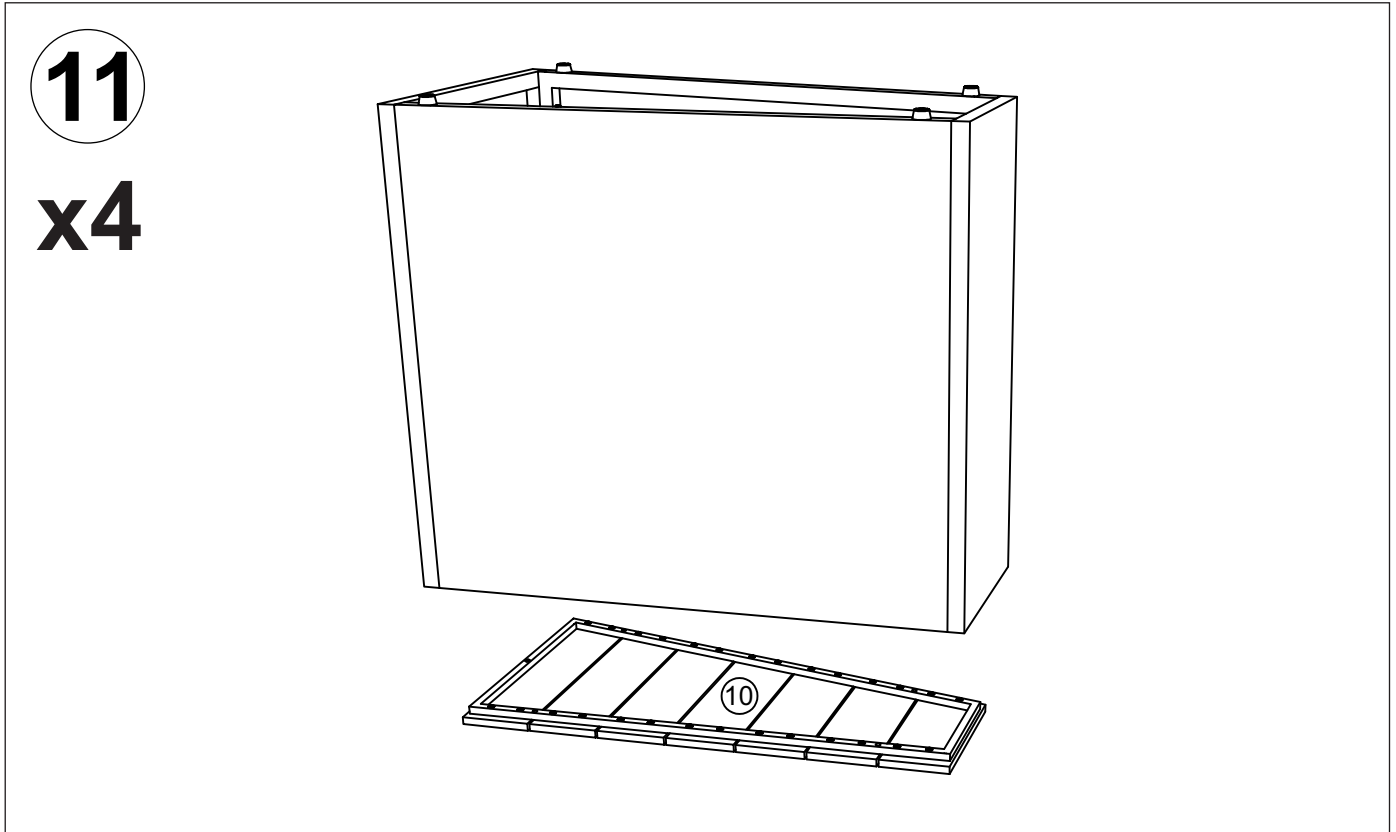
9. Locate 1 side table leg (7) to 1 side table back panel (9) by the pre-drilled threads.  
Use Allen Key (G) to tighten Bolts (C) and Washers (D).  
Note: only tighten 60% (Photo 9).



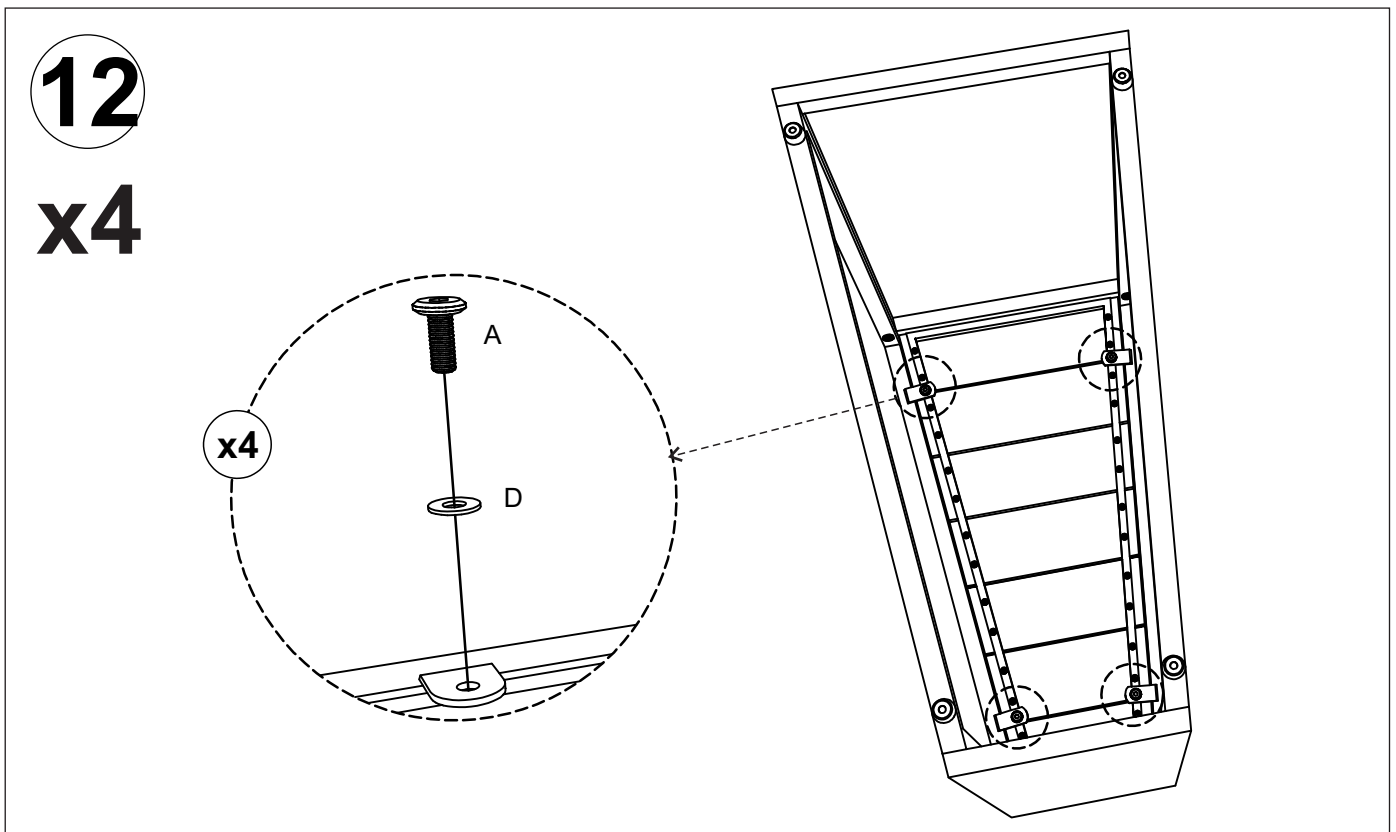
10. Locate 2 side table leg (7) to 1 side table front panel (8) by the pre-drilled threads.  
Use Allen Key (G) to tighten Bolts (C) and Washers (D).  
Note: only tighten 60% (Photo 10).



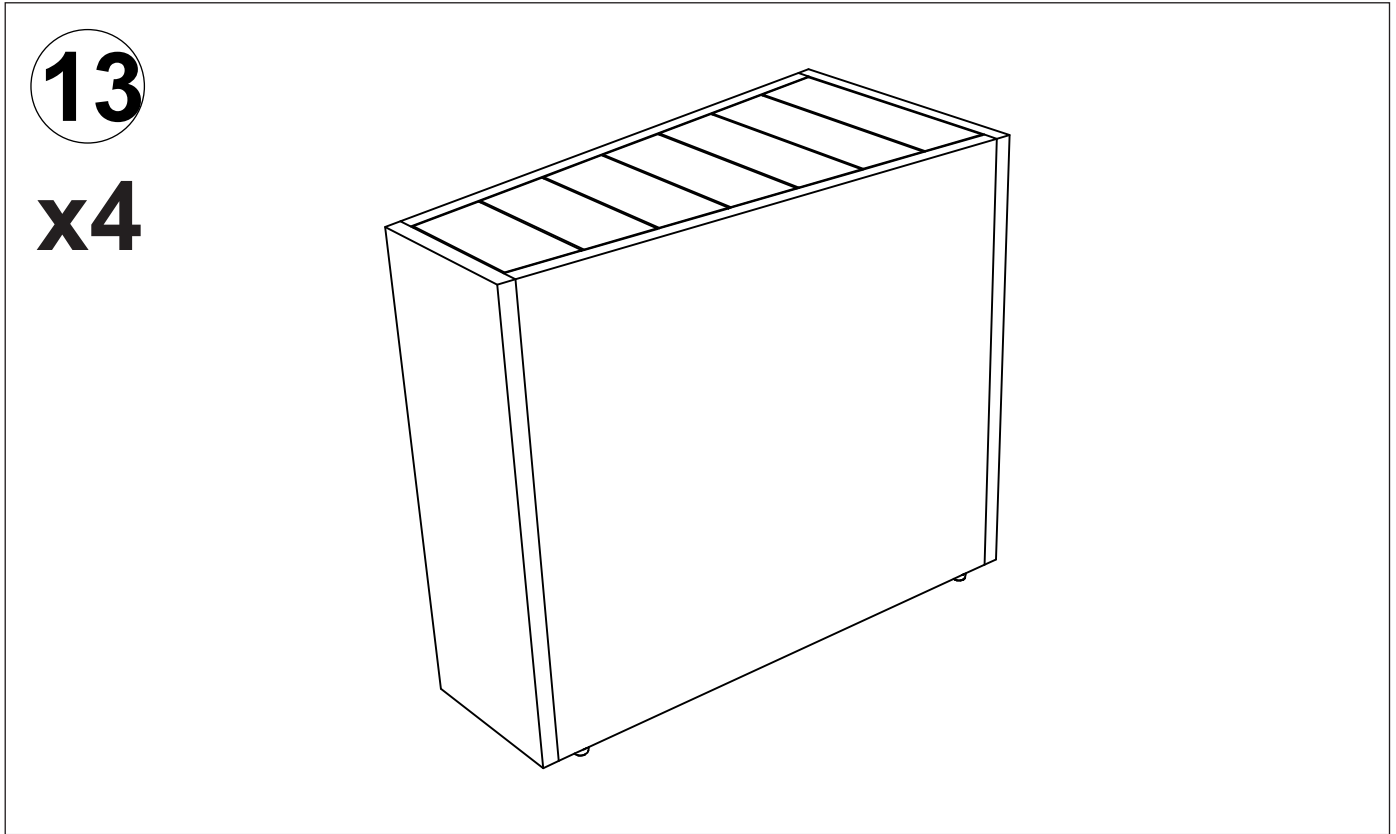
11. Place 1 polywood side table top (10) as Photo 11.



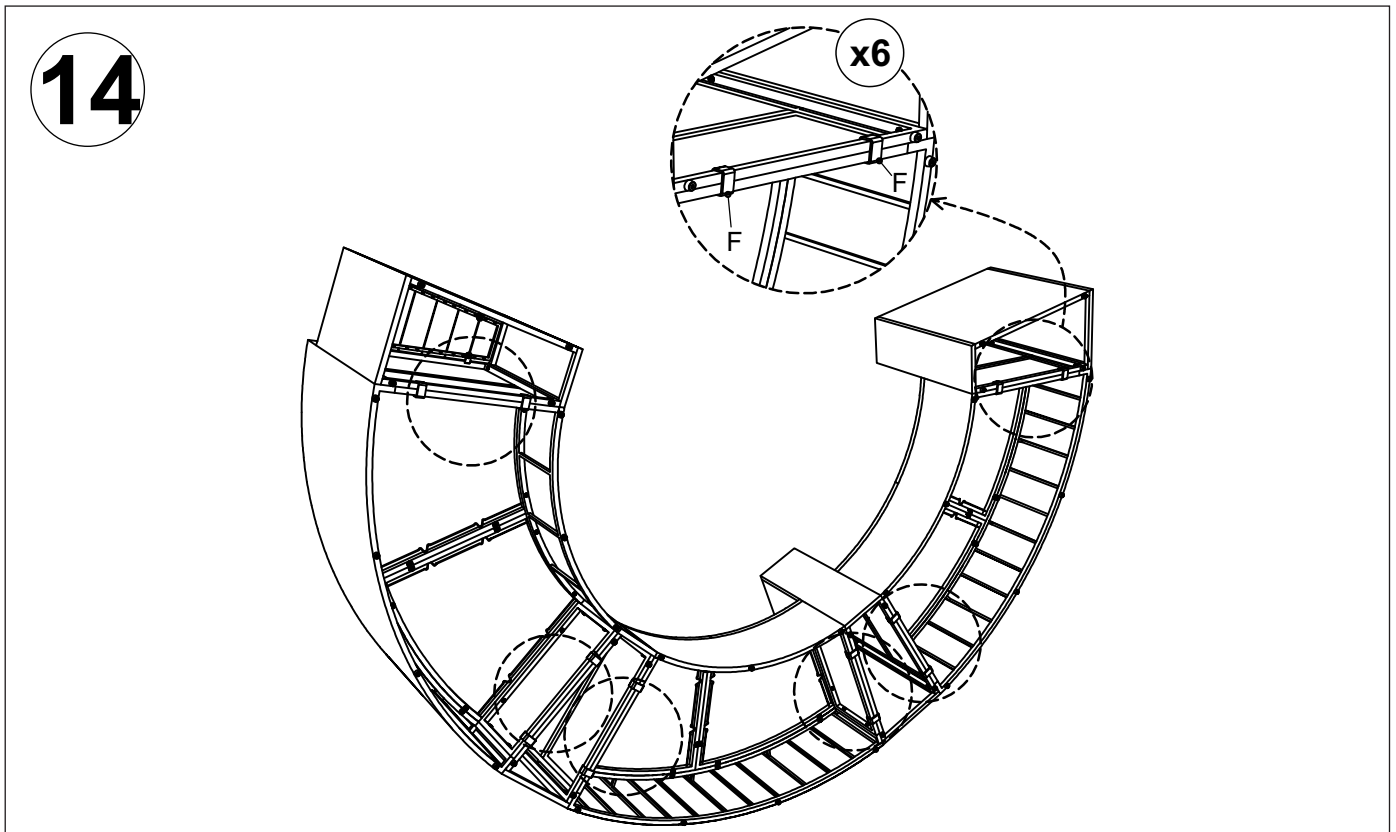
12. Use Allen Key (G) to tighten Bolts (A) and Washers (D).  
Note: only tighten 60% (Photo 12).



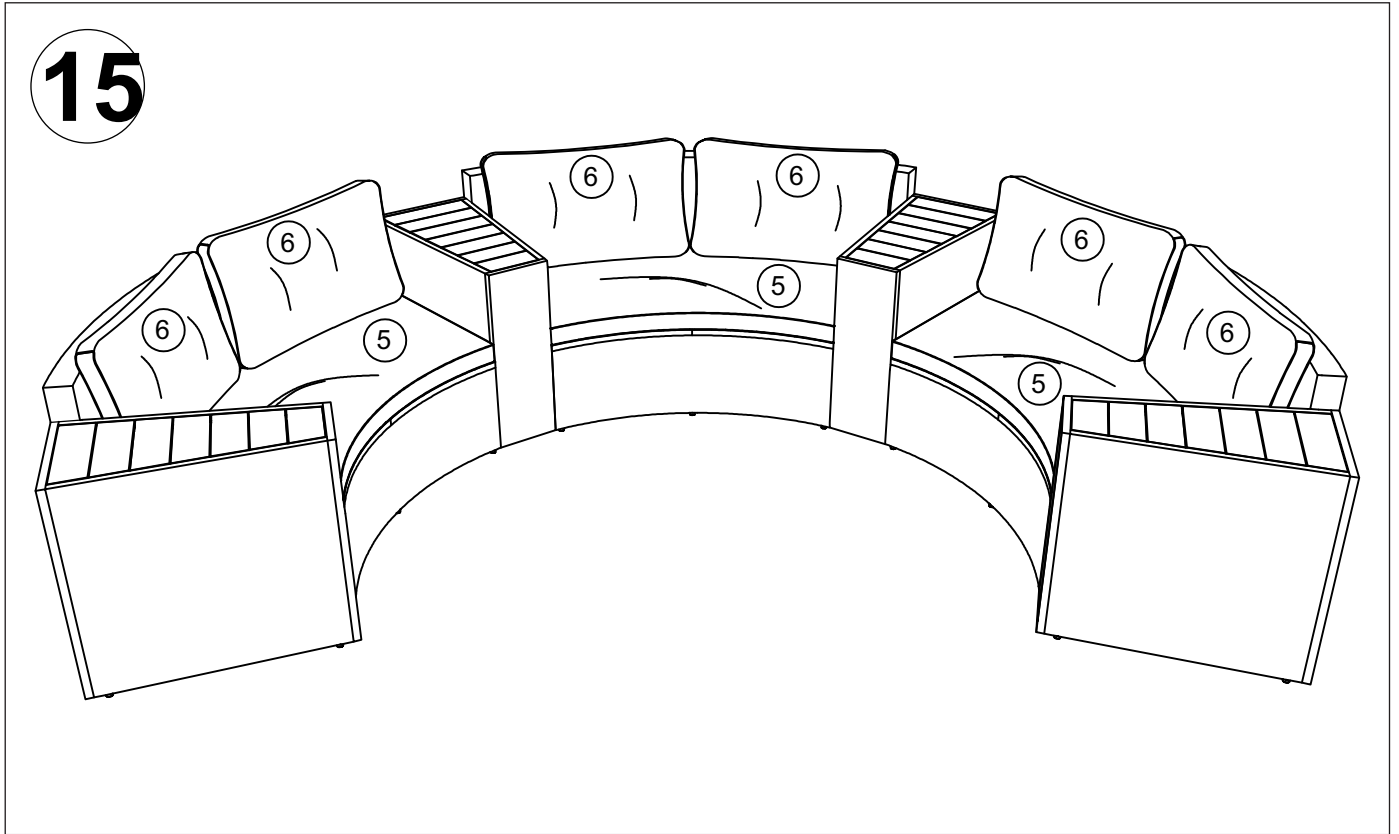
13. Use Allen Key (G) to tighten all Bolts 100% (Photo 13).



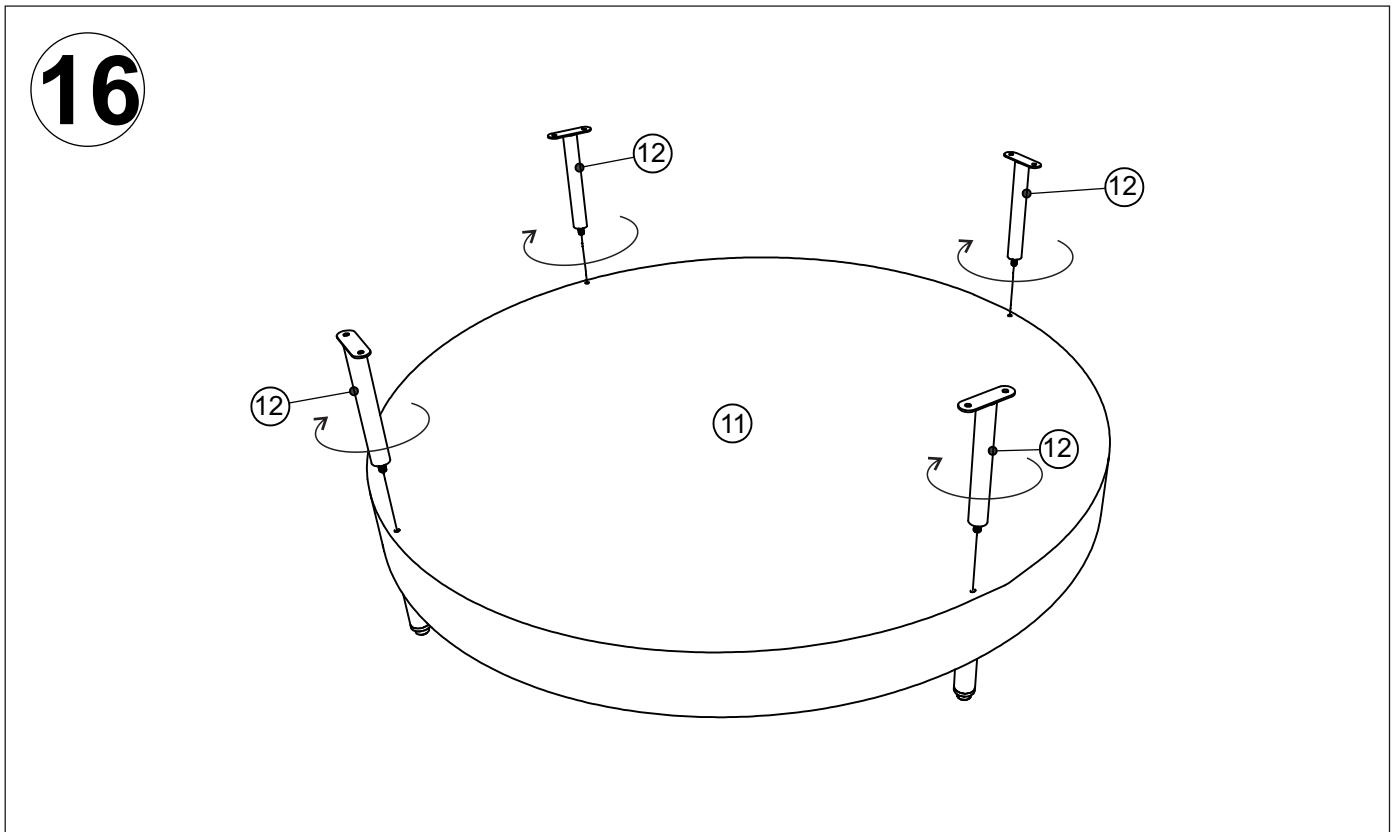
14. Place 3 bench and 4 side table with Connection (F) (Photo 14).



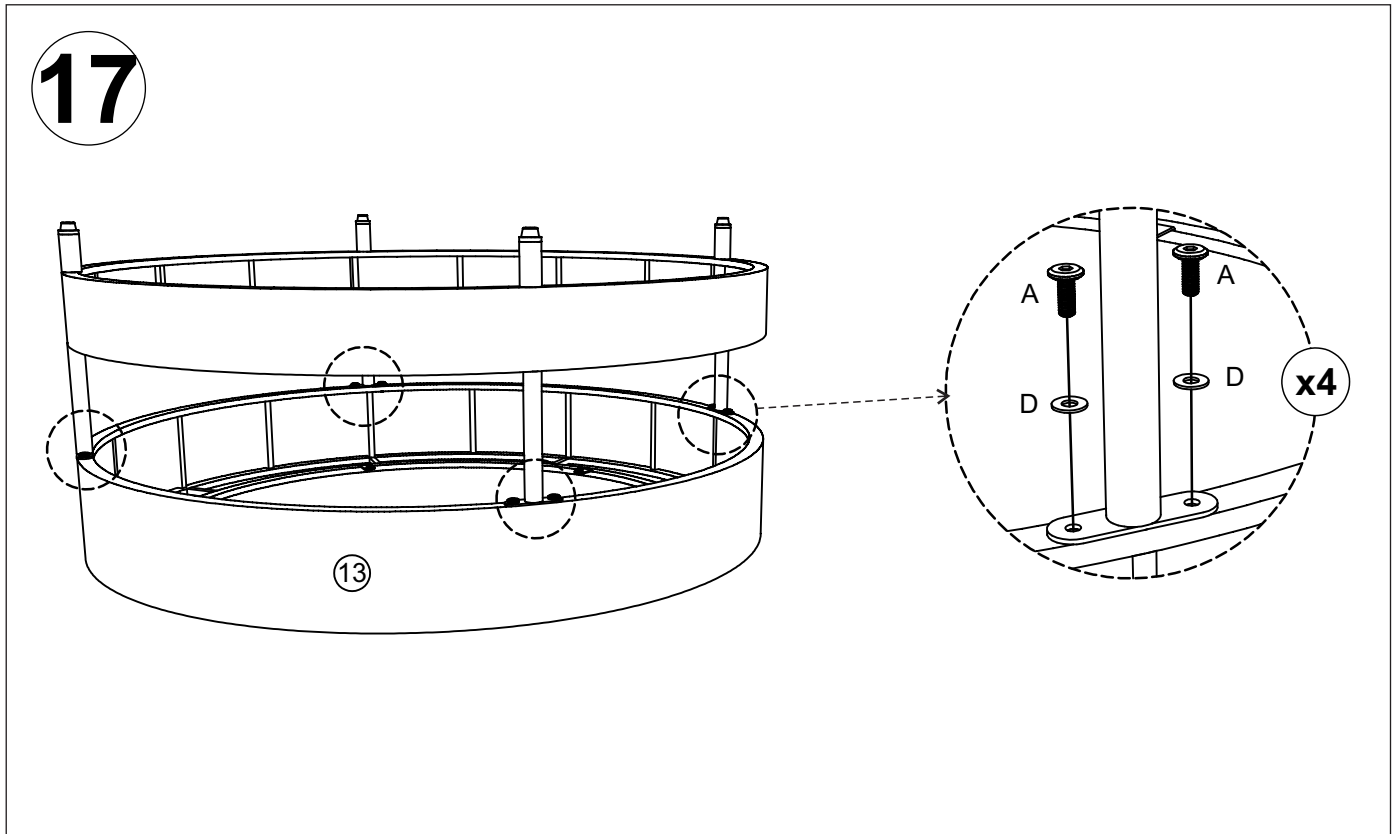
15. Place 3 bench cushion (5) on the top bench first, and then place 6 pillows (6) above it (Photo 15).



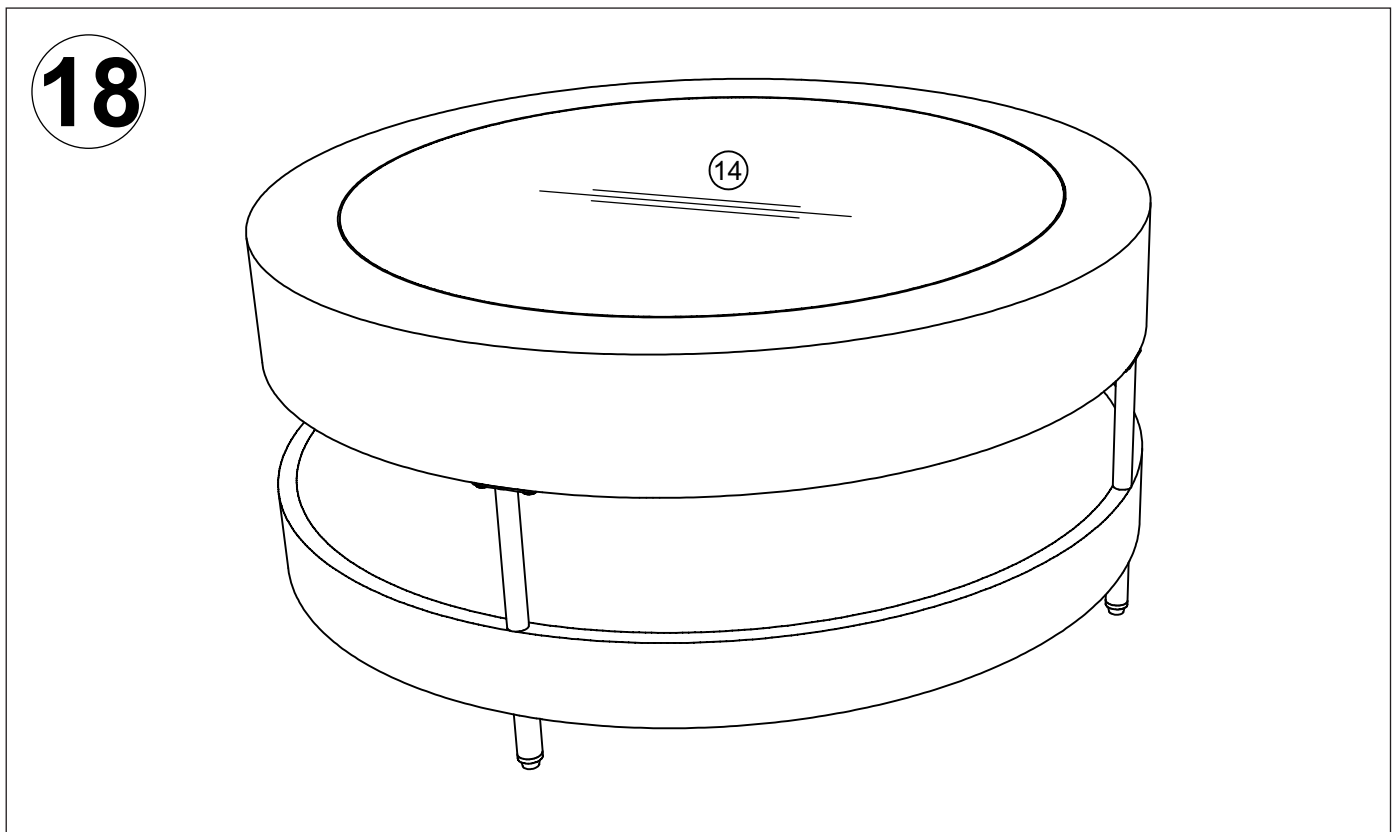
16. Attach 4 round table leg (12) to round table shelf (11) and twist 100% (Photo 16).



17. Locate 1 round table frame (13) to 4 round table leg (12) by the pre-drilled threads.  
Use Allen Key (G) to tighten Bolts (A) and Washers (D).  
Note: only tighten 60% (Photo 17).



18. Use Allen Key (G) to tighten all Bolts 100% and place 1 glass round table top (14) above round table frame (Photo 18).



**Till now you have finished the whole assembly and enjoy your furniture!**