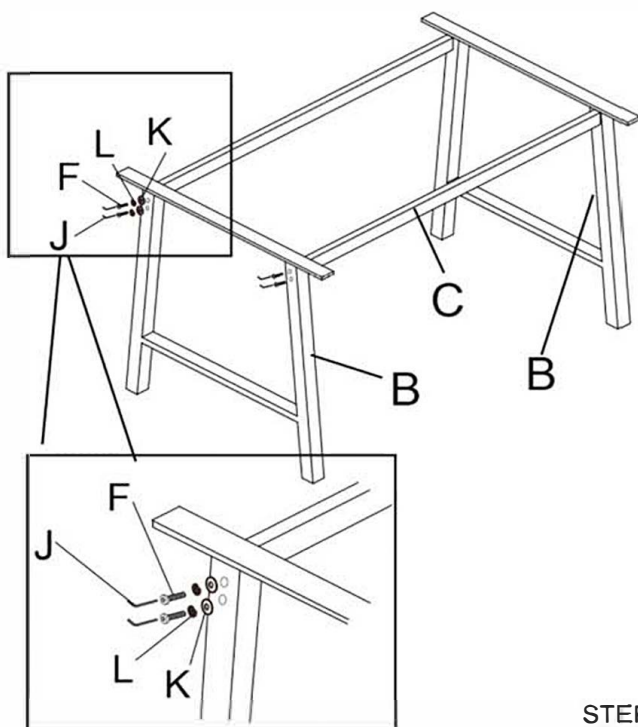


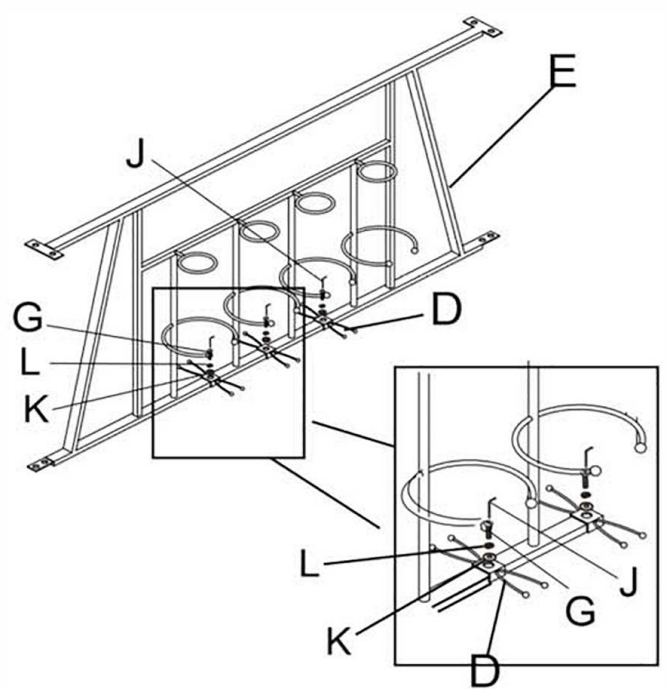
# ASSEMBLY INSTRUCTION

DESCRIPTION: COUNTER HEIGHT TABLE  
 COUNTER HEIGHT TABLE TOP & BASE GLASS  
 INSET FOR TABLE TOP

NO.	PARTS LIST		QTY	HARDWARE LIST		
				NO.	HARDWARE PACK IN 5566-36	QTY
A		TABLE TOP (GLASS AND FRAME)	1	F	ALLEN BOLT 1/4*50MM	8
				G	ALLEN BOLT 1/4*15MM	11
B		LEG FRAME	2	H	ALLEN BOLT 1/4*30MM	4
				I	SCREW 4*15MM	4
C		CROSS BAR	2	J	ALLEN KEY 4MM	1
D		WINE GLASS RACK	3	K	FLAT WASHER	23
				L	SPRING WASHER	23
E		WINE PACK	1	M	SPONGE TAPE	12

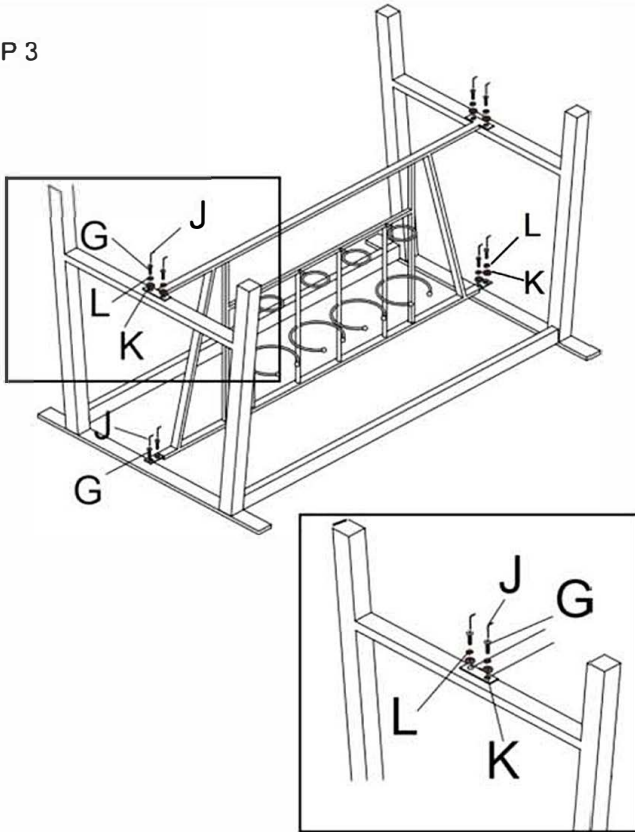


STEP 1

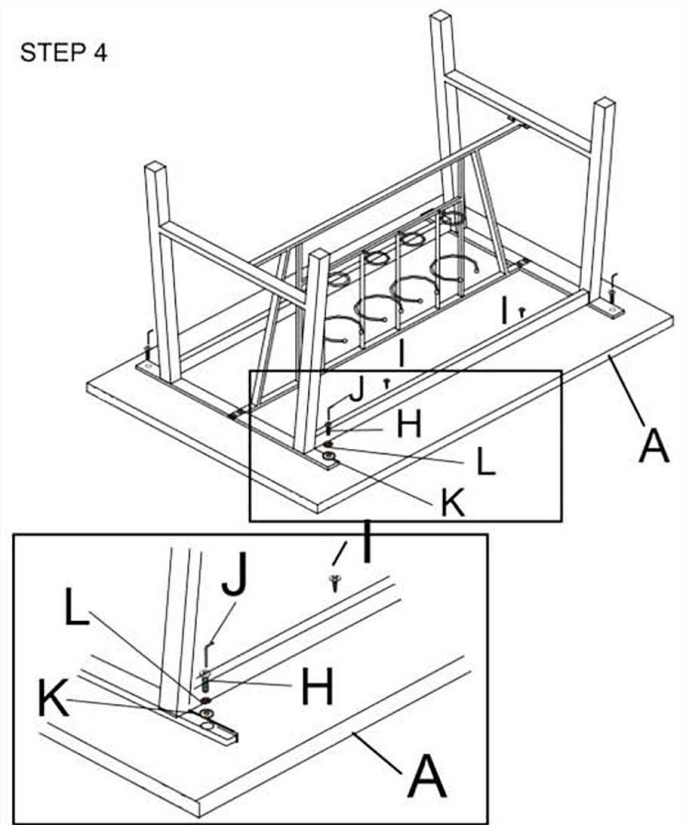


STEP 2

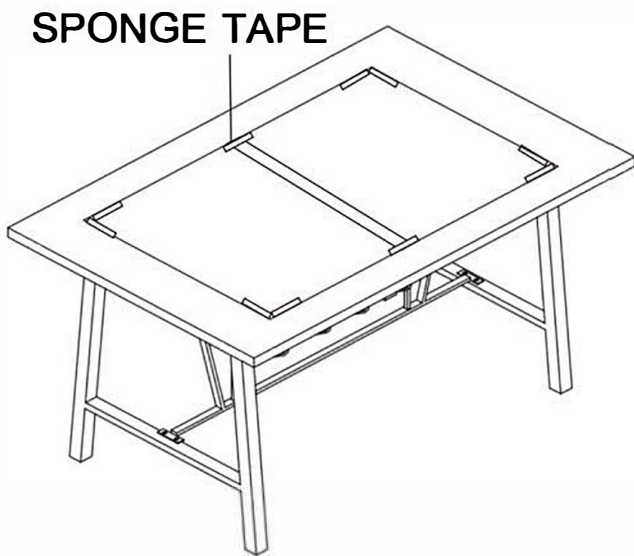
STEP 3



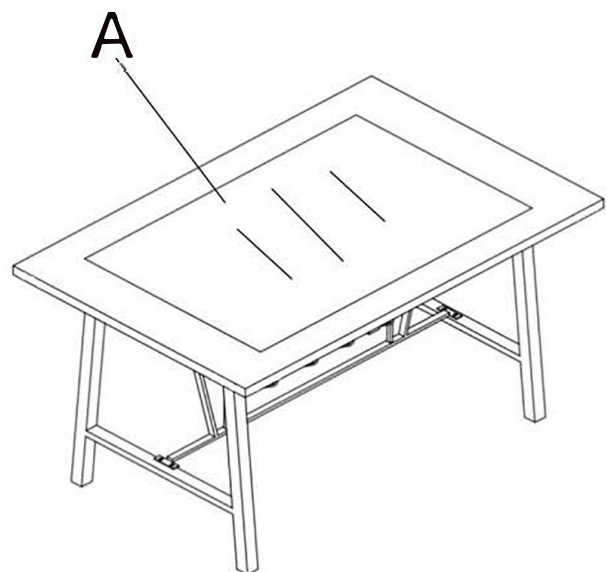
STEP 4



STEP 5



STEP 6



For items use on wooden floor, hard surfaces or carpets, it is recommended to install protective pads under all legs and supports to avoid/prevent from damages/scratches and discoloration

Do not tighten bolts until completely assembled