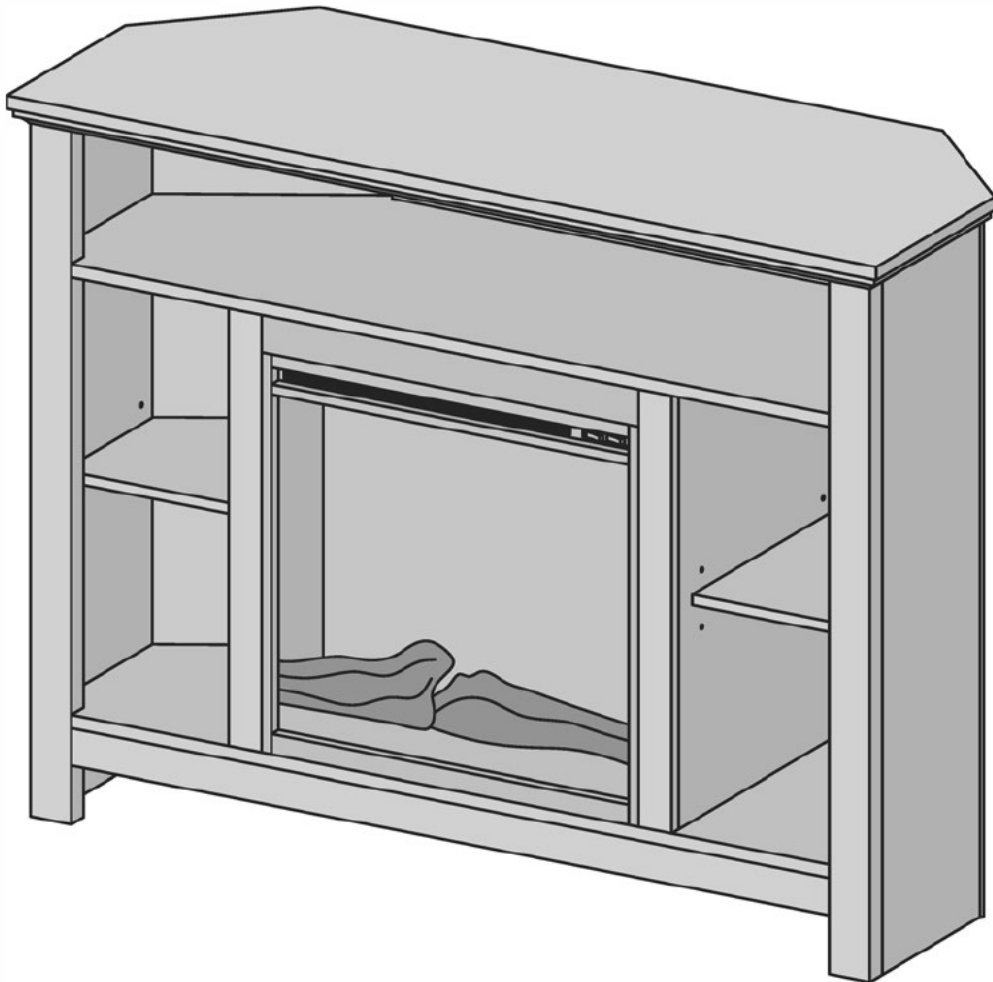


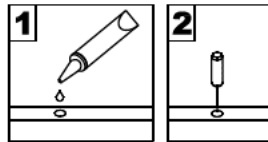
Assembly Instructions



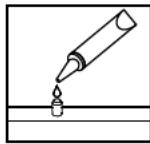
Revised 03/2017

General Assembly Guidelines

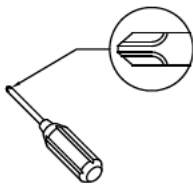
- I. Ensure that all parts and hardware are available before beginning assembly.
- II. Follow each step carefully to ensure the proper assembly of this product.
- III. Two people are recommended for ease in the assembly of this product.
- IV. The three main types of hardware used to assemble this product are : wood dowels , screws and bolts.
- V. The provided glue is to secure wood dowels in place . When first inserting dowels , locate the appropriate hole for the dowel , place a small amount of glue in the hole and insert the dowel . Wipe away excess glue immediately.



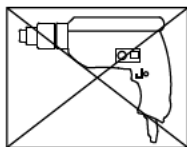
In future assembly steps when dowels are necessary to attach assembly parts together , place a small amount of glue on the end of the dowel before attaching parts together . Wipe away excess glue immediately.



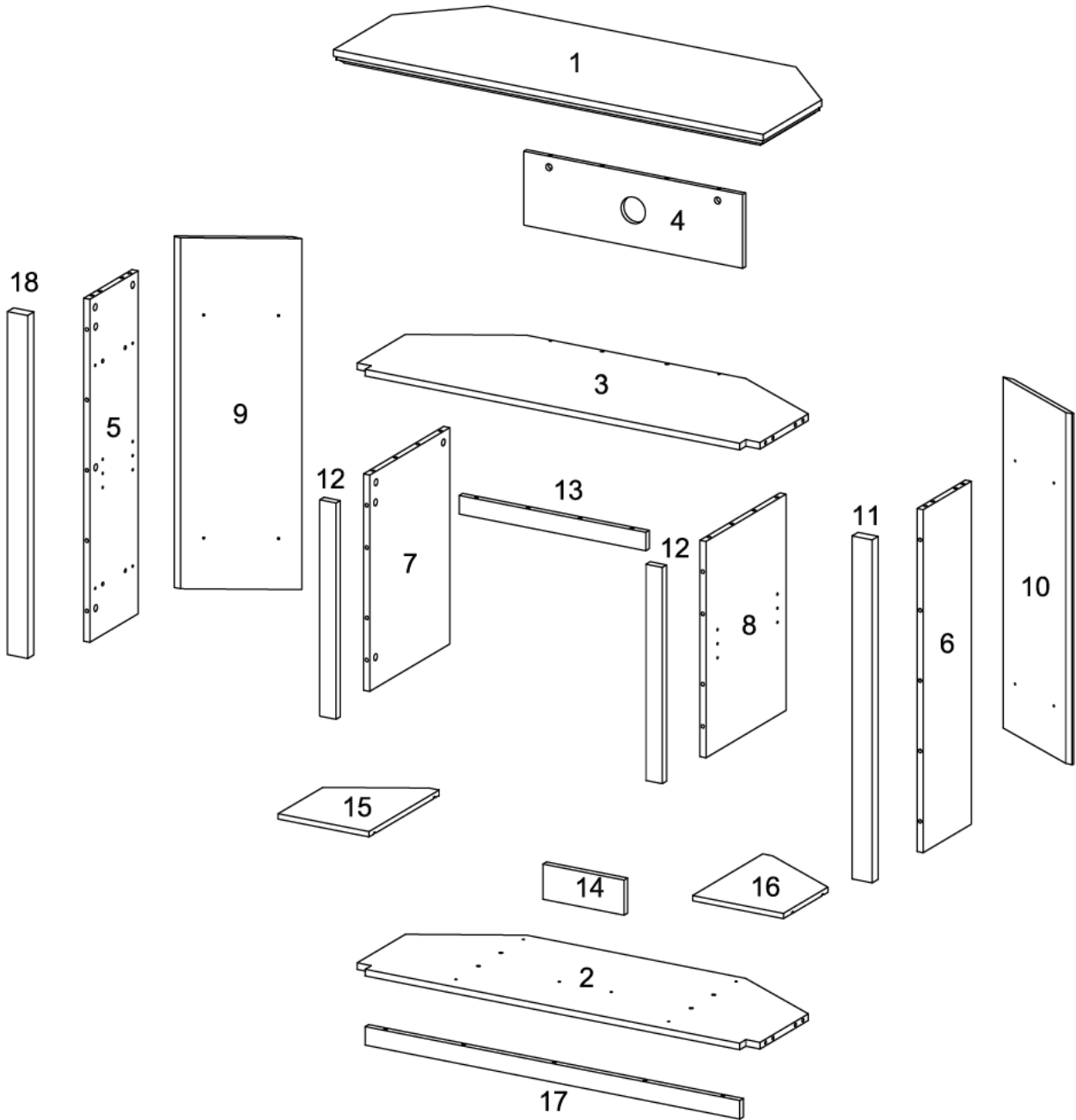
- VI. A Phillips head screwdriver is required for the assembly of this product .



- VII. Power tools should not be used to assemble this product .

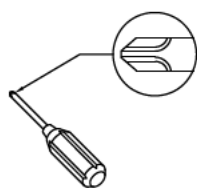


Parts List



Hardware List

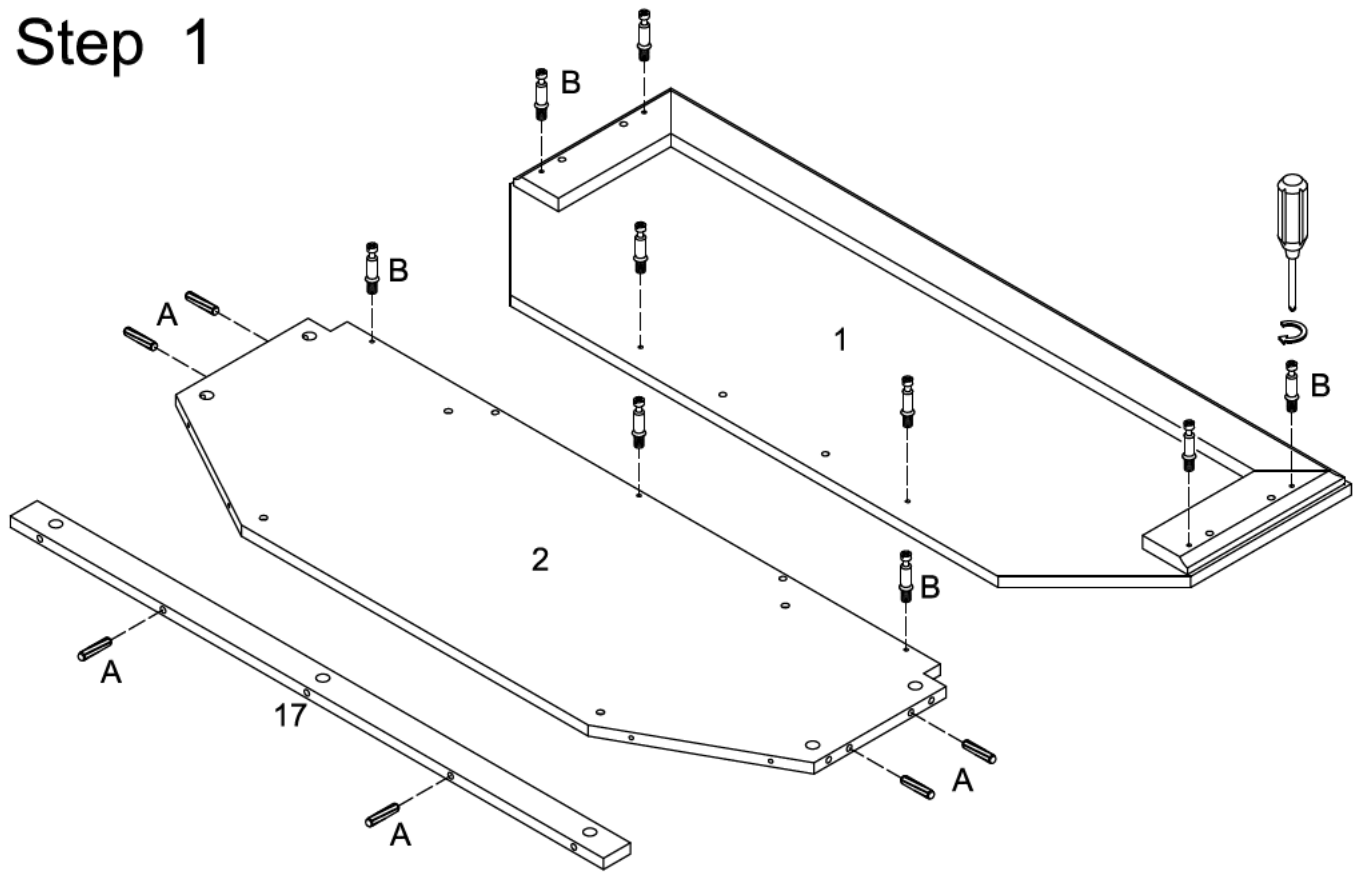
A		Ø8x30mm	Wooden dowel	36 pcs
B			Cam bolt	35 pcs
C		Ø15x11mm	Cam lock	33 pcs
D		Ø15x9.5mm	Cam lock	2 pcs
E		Ø6x50mm	Bolt	14 pcs
F		Ø8x5x16mm	Shelf support pin	8 pcs
G		Ø4mm	Wrench	1 pc
H			Glue tube	2 pcs
J			Sticker	43 pcs
K			Screw	6 pcs
L			Fireplace Insert (F18V66L)	1 pc



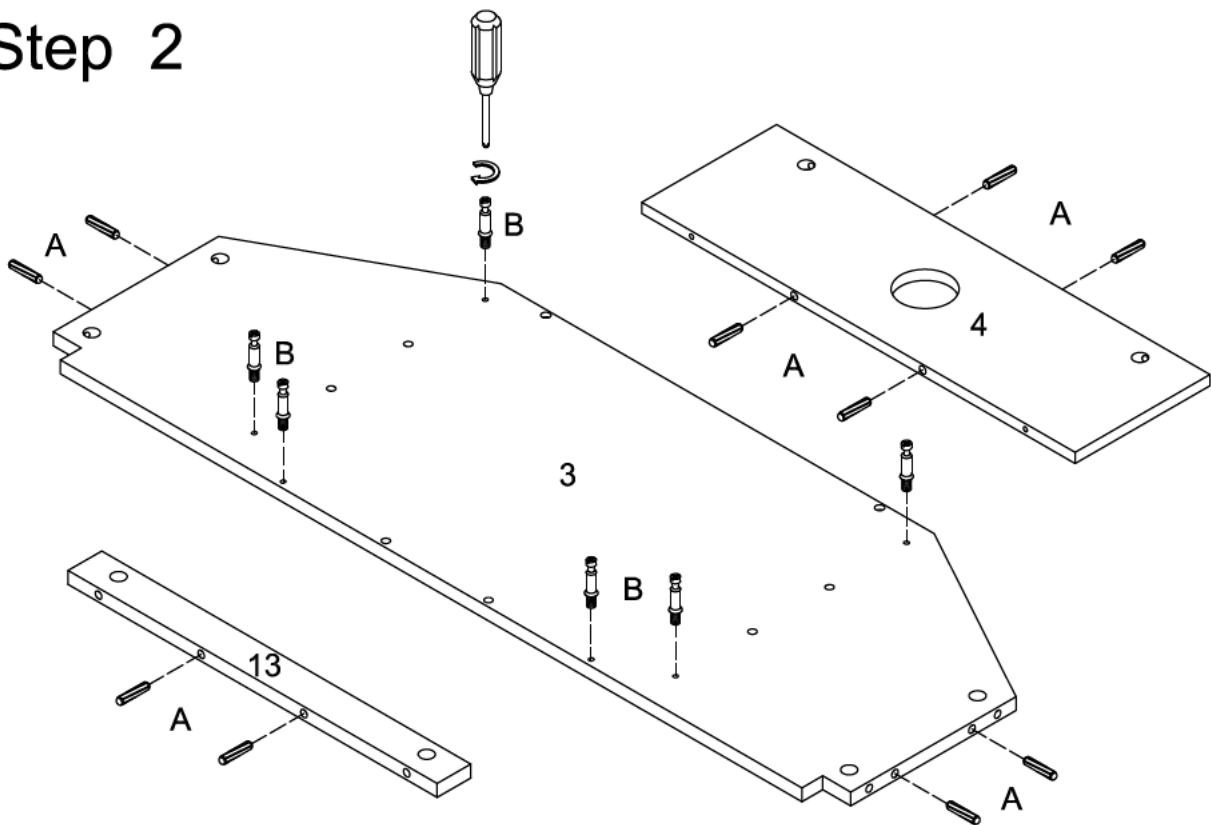
Philips head screwdriver required for assembly
(not included)

*The hardware quantities listed above are required for proper assembly.
Some extra hardware may also have been included.*

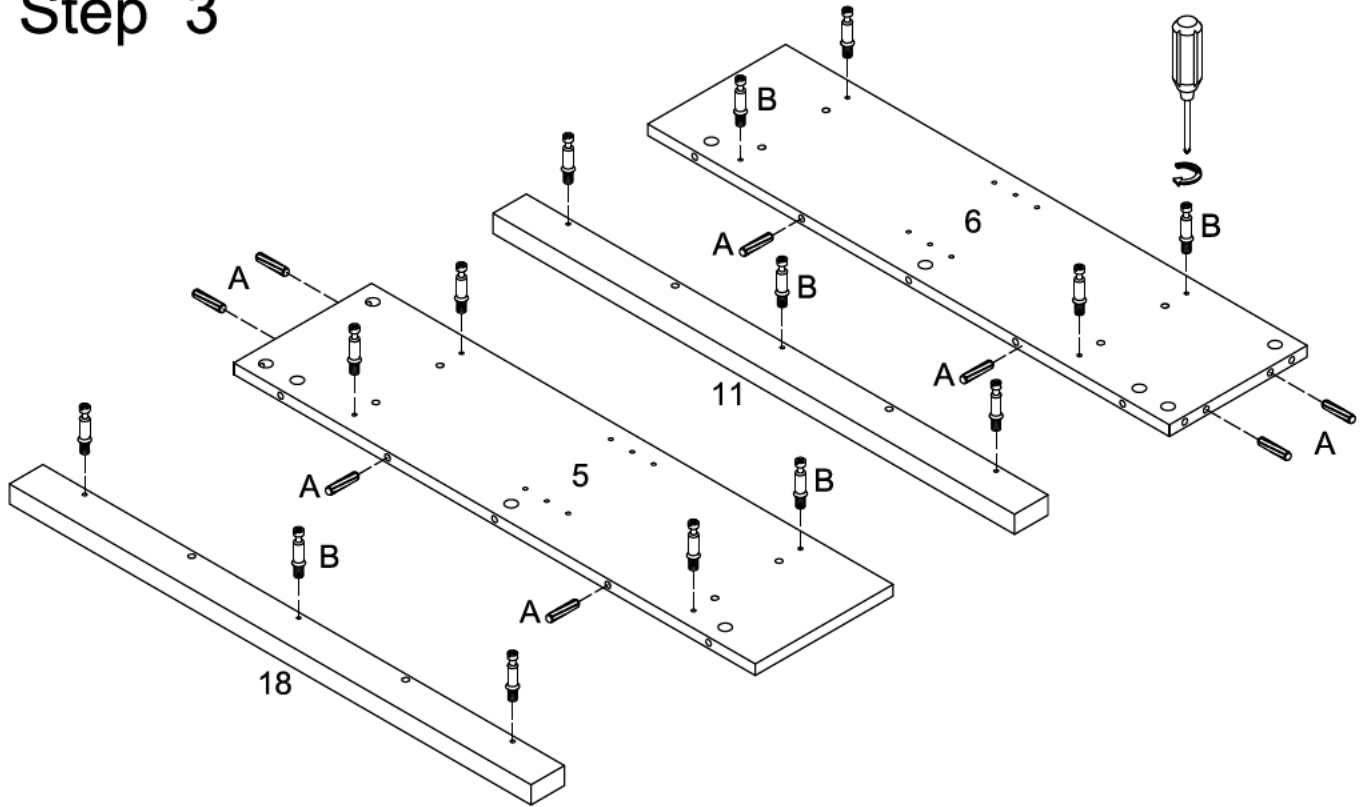
Step 1



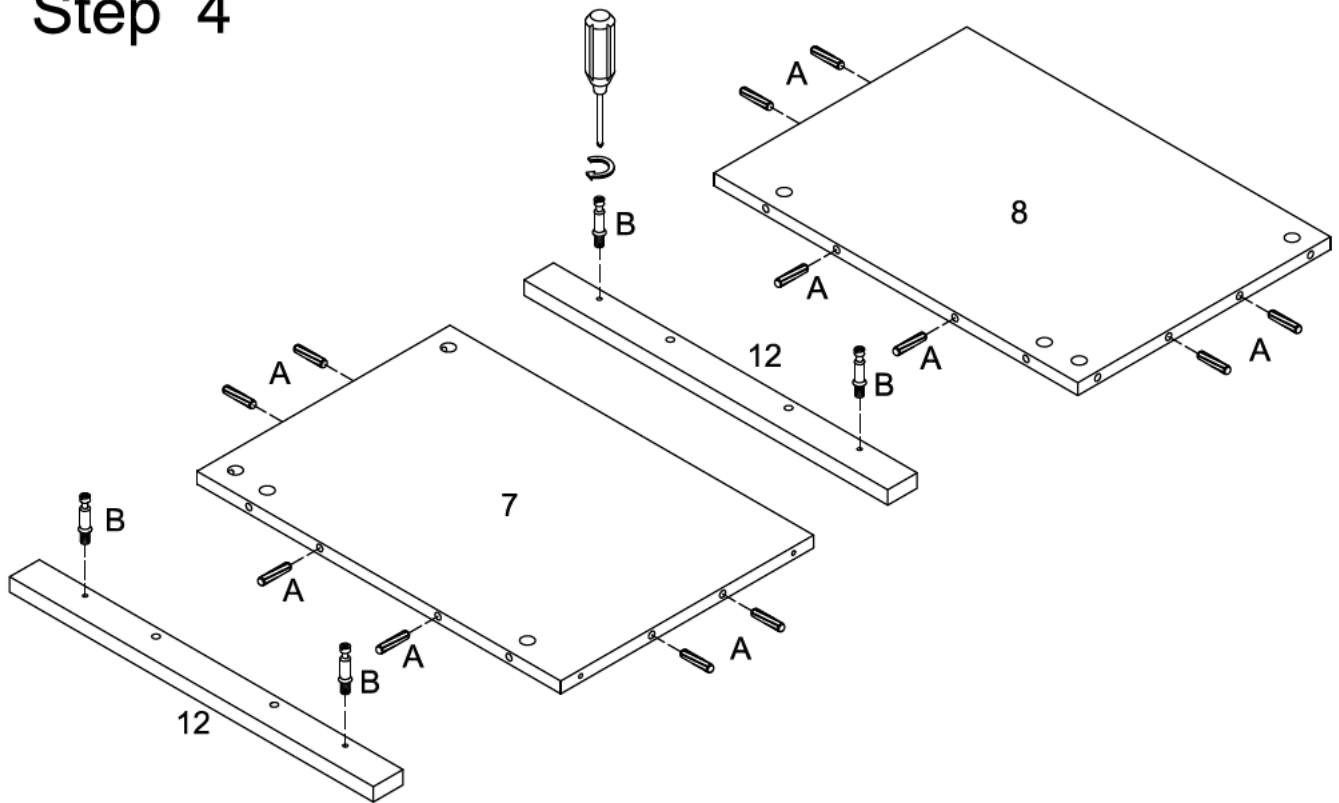
Step 2



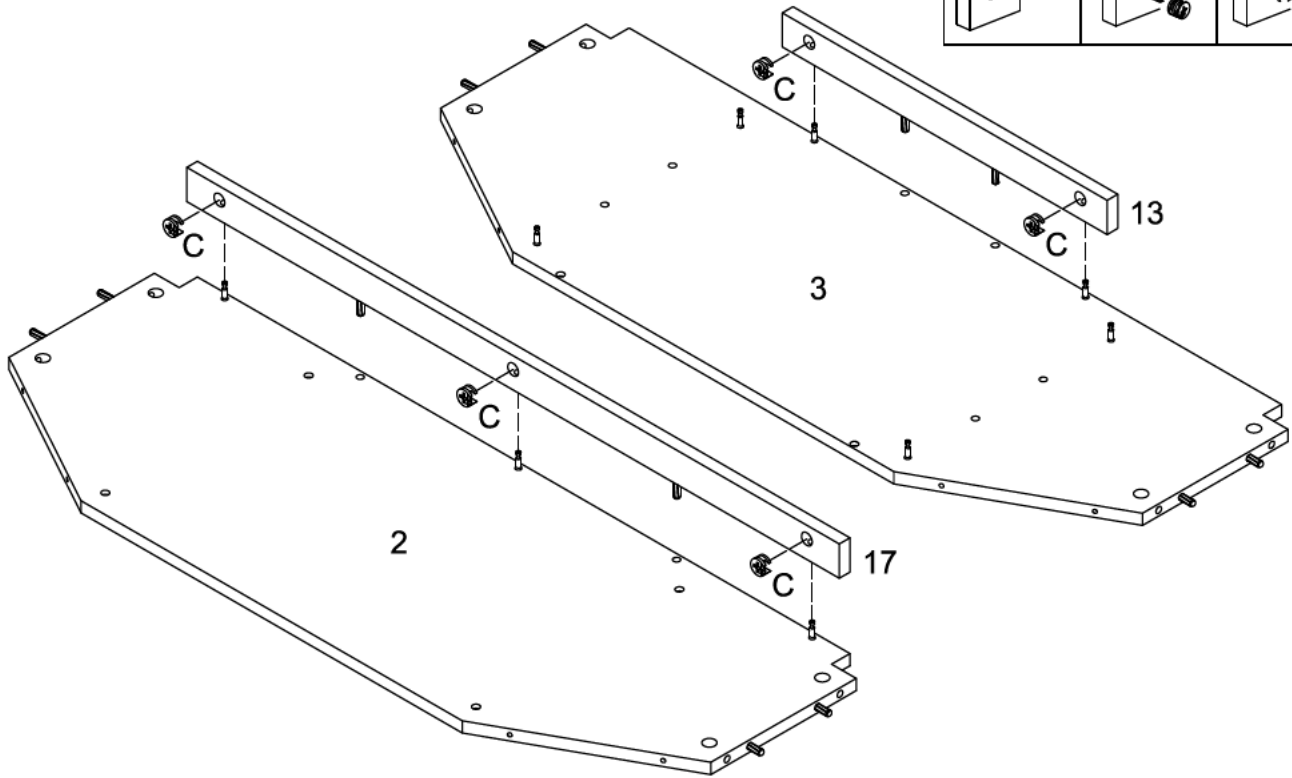
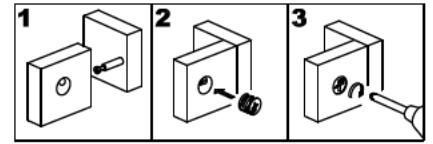
Step 3



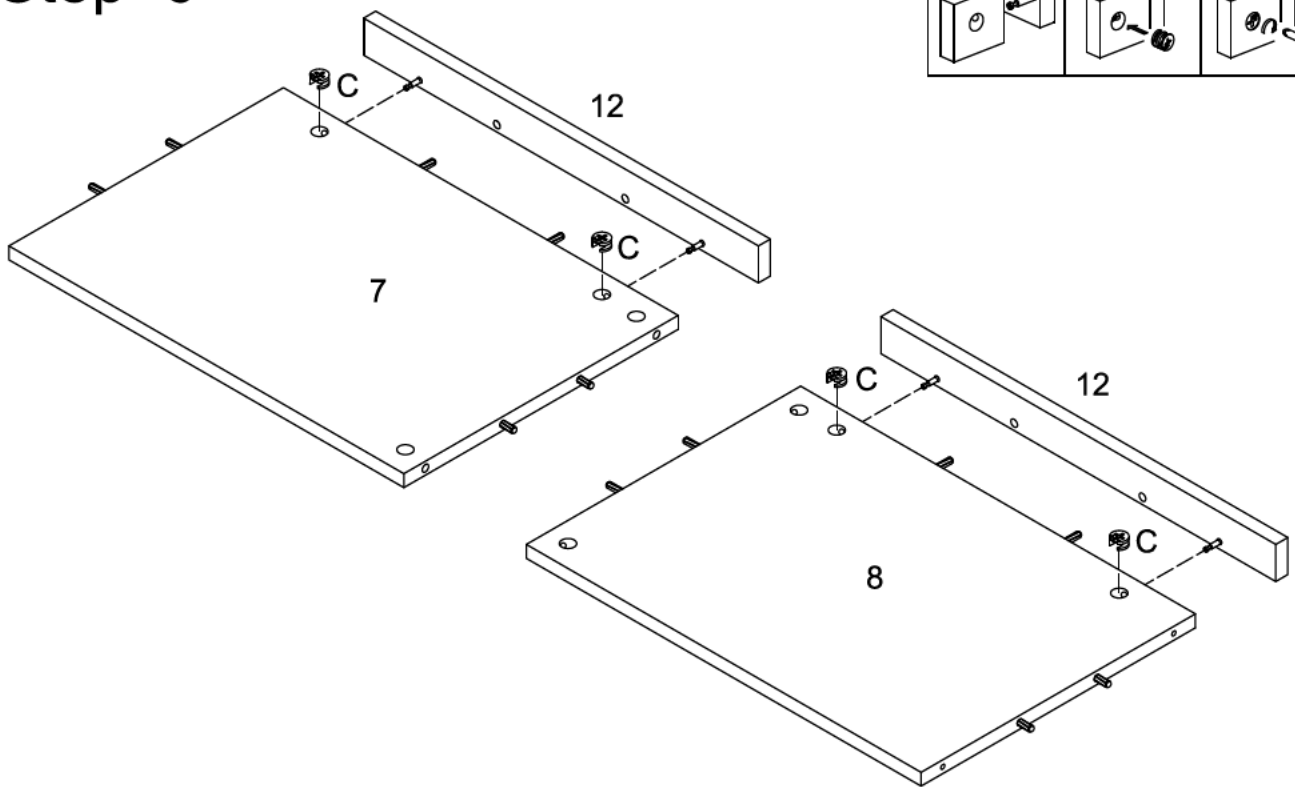
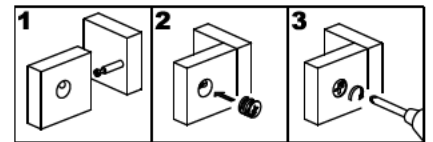
Step 4



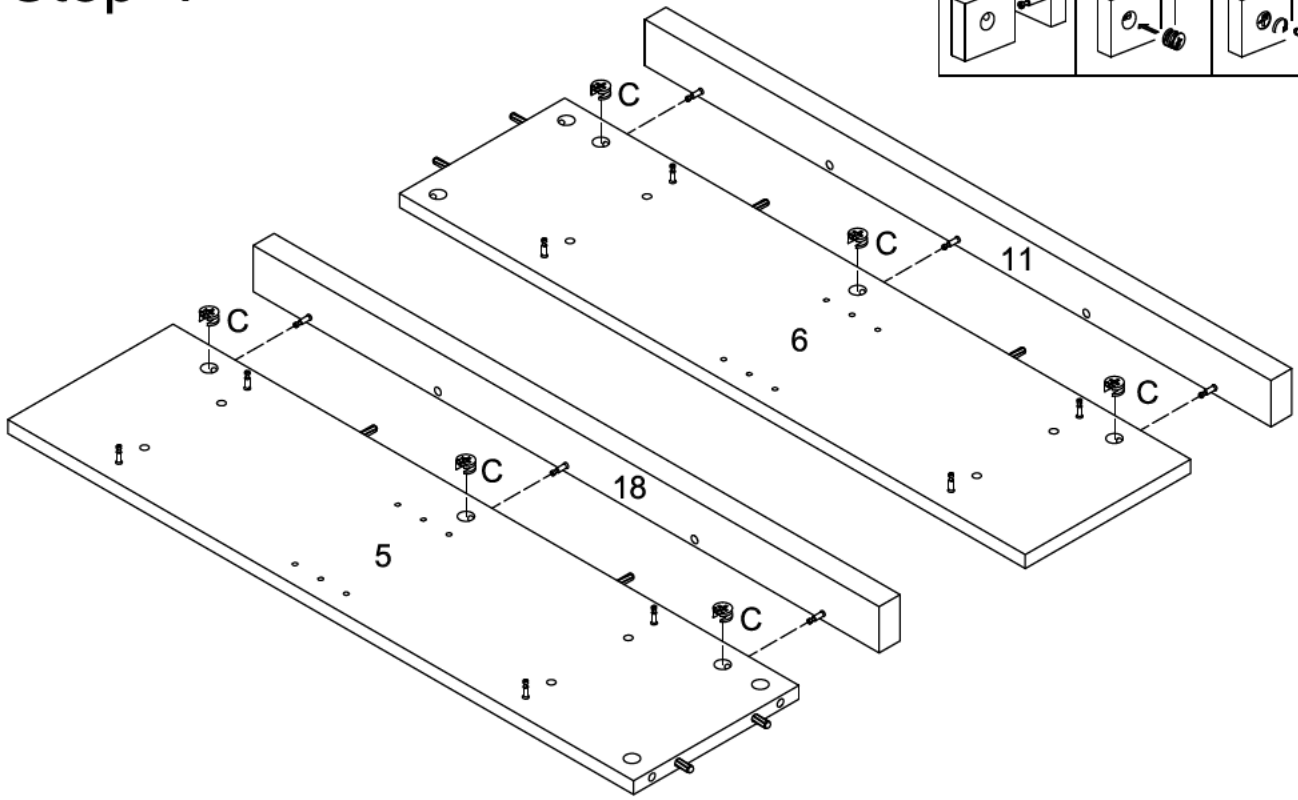
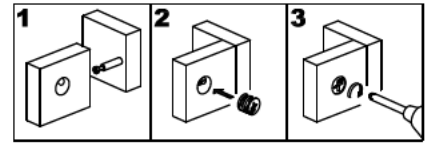
Step 5



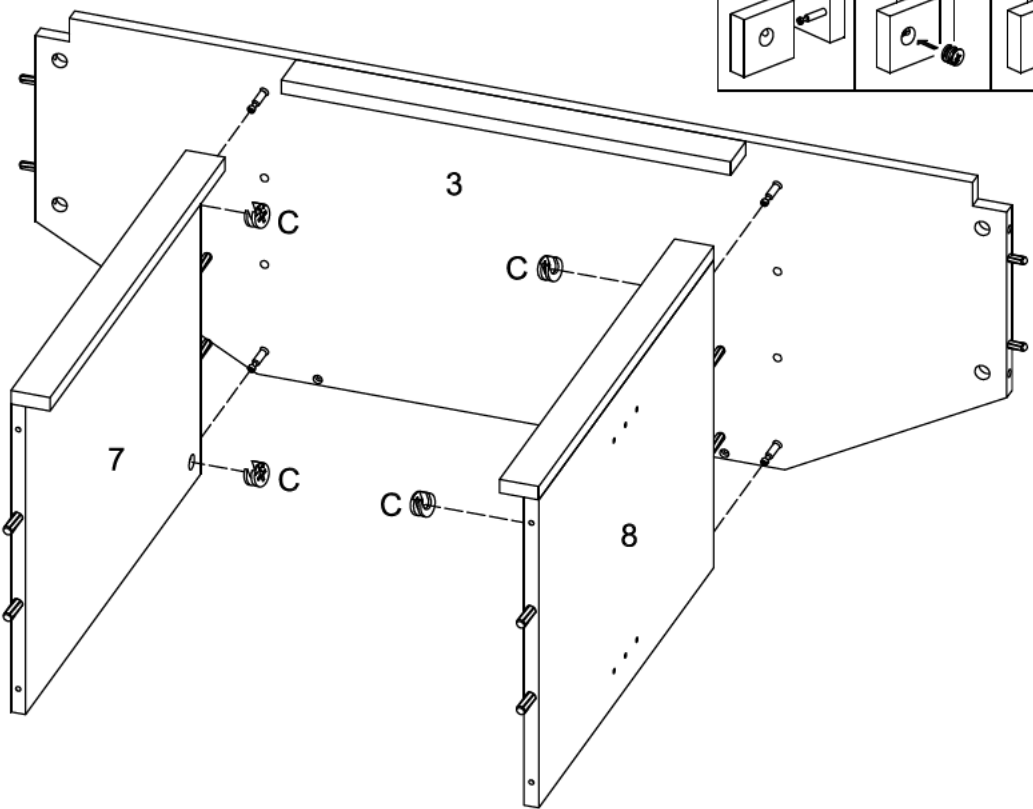
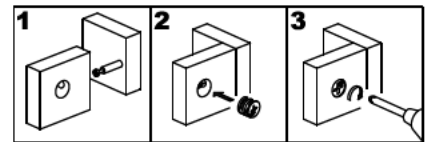
Step 6



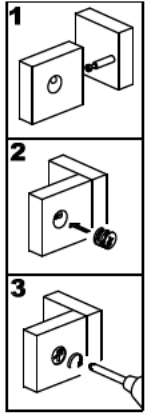
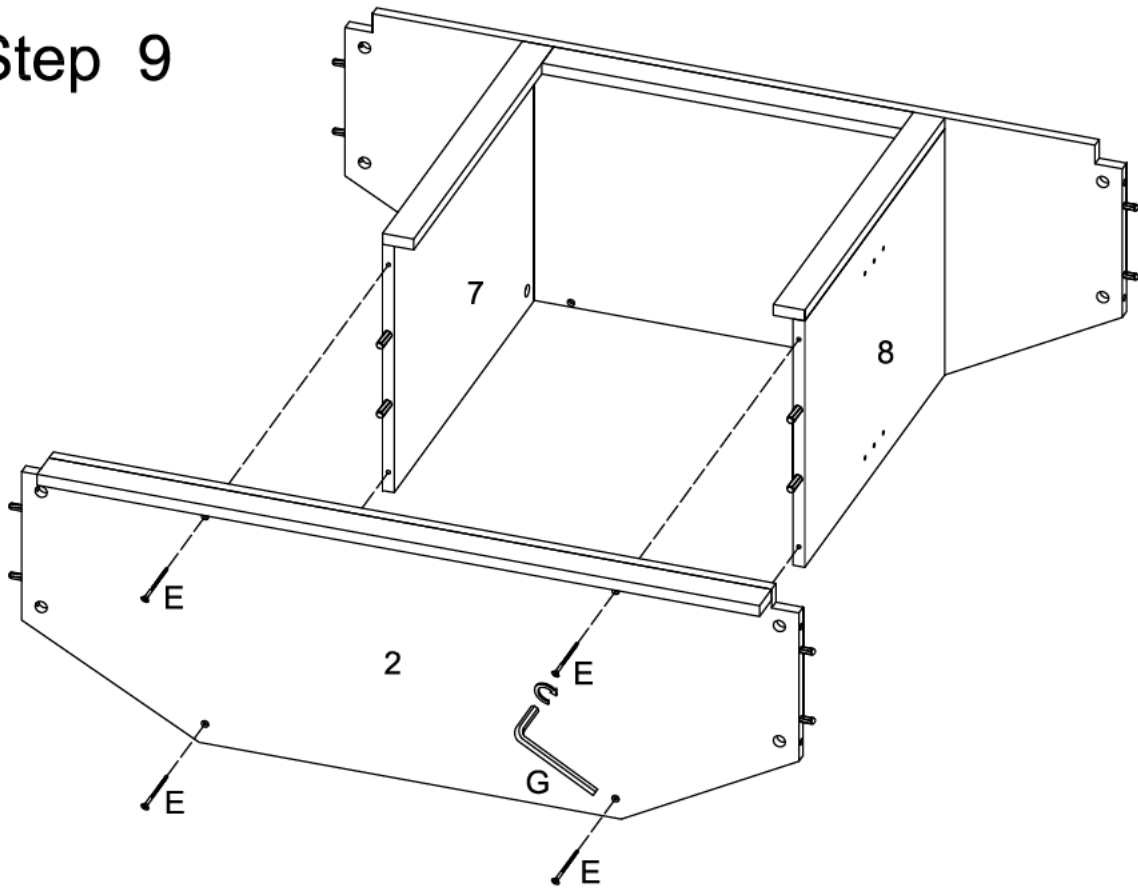
Step 7



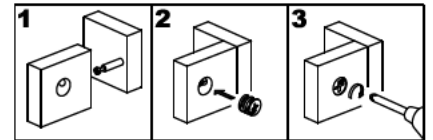
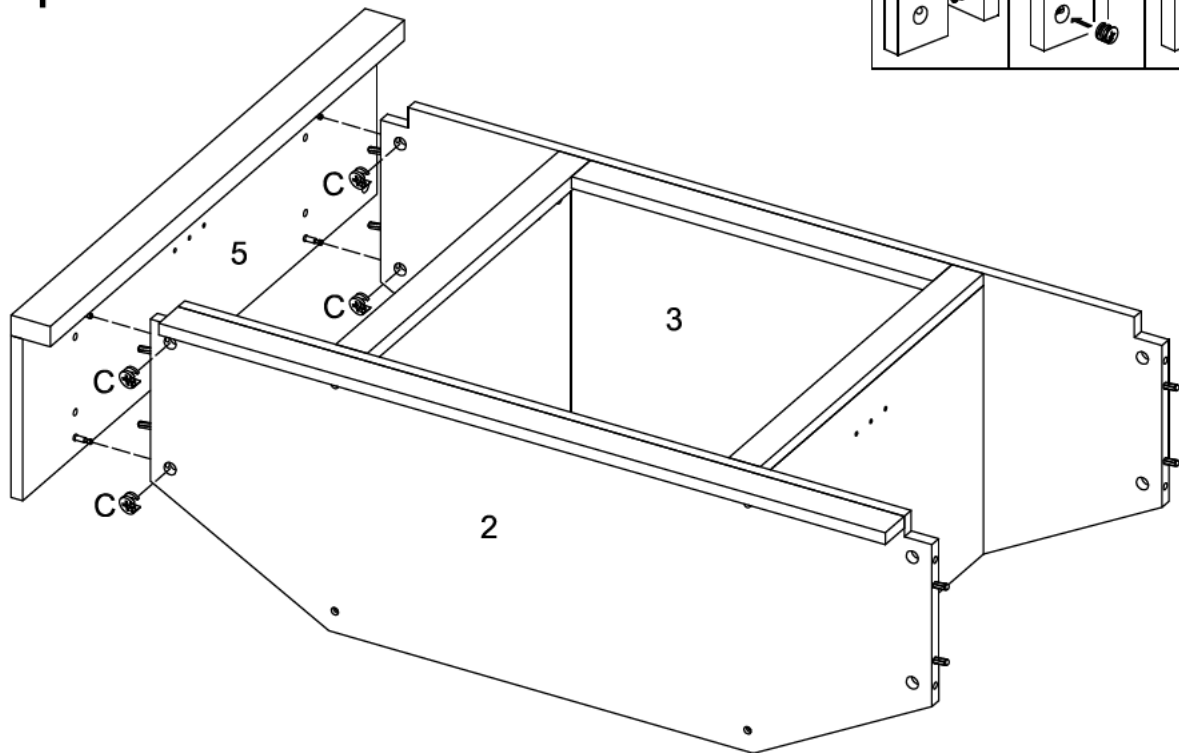
Step 8



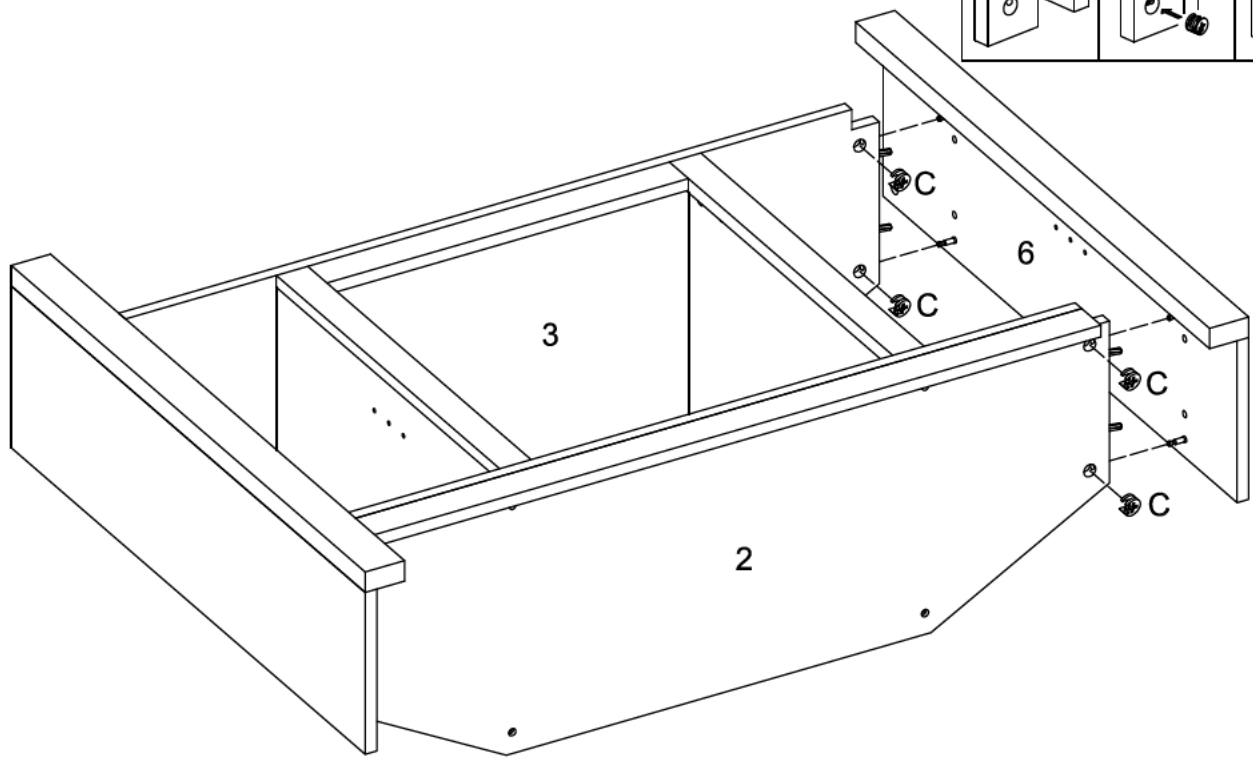
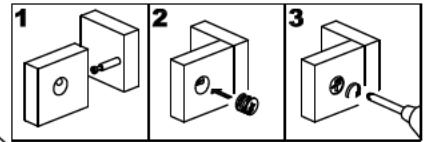
Step 9



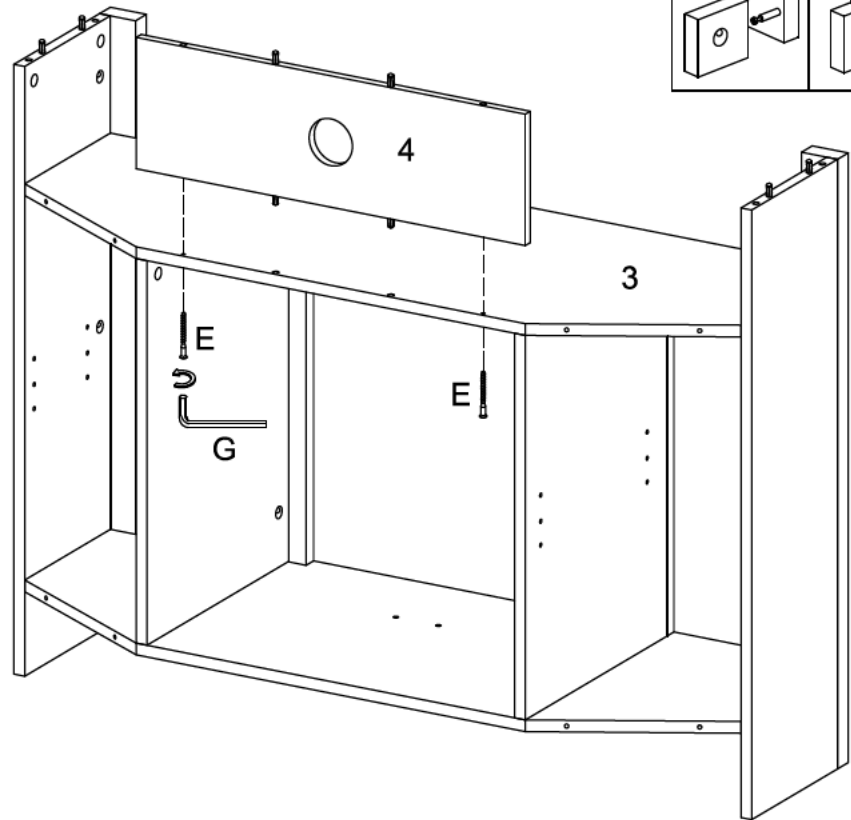
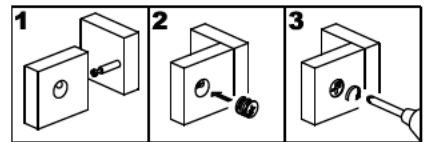
Step 10



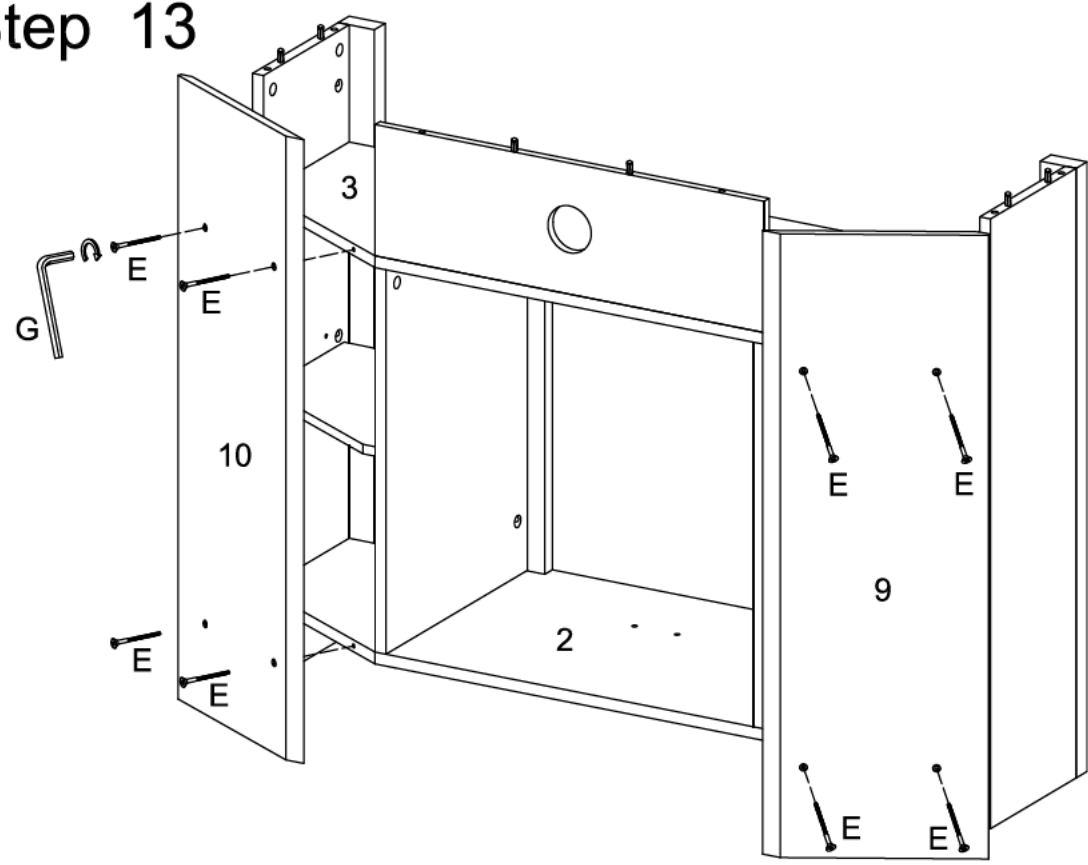
Step 11



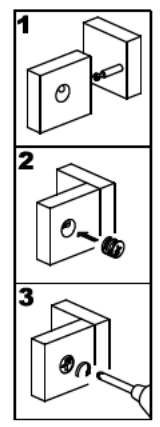
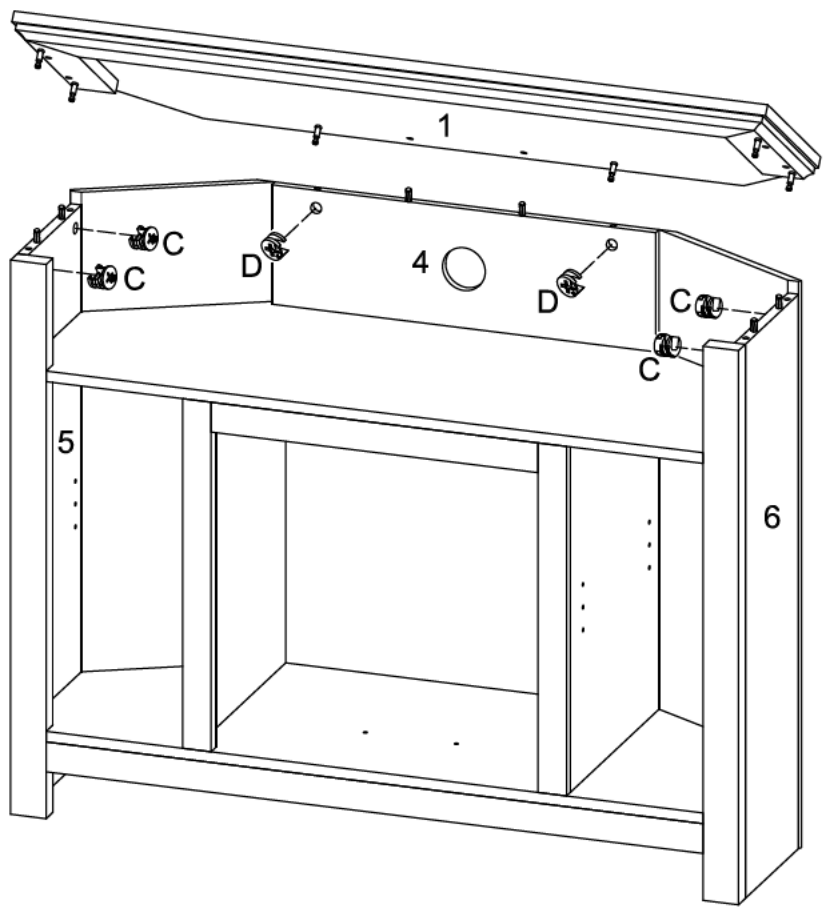
Step 12



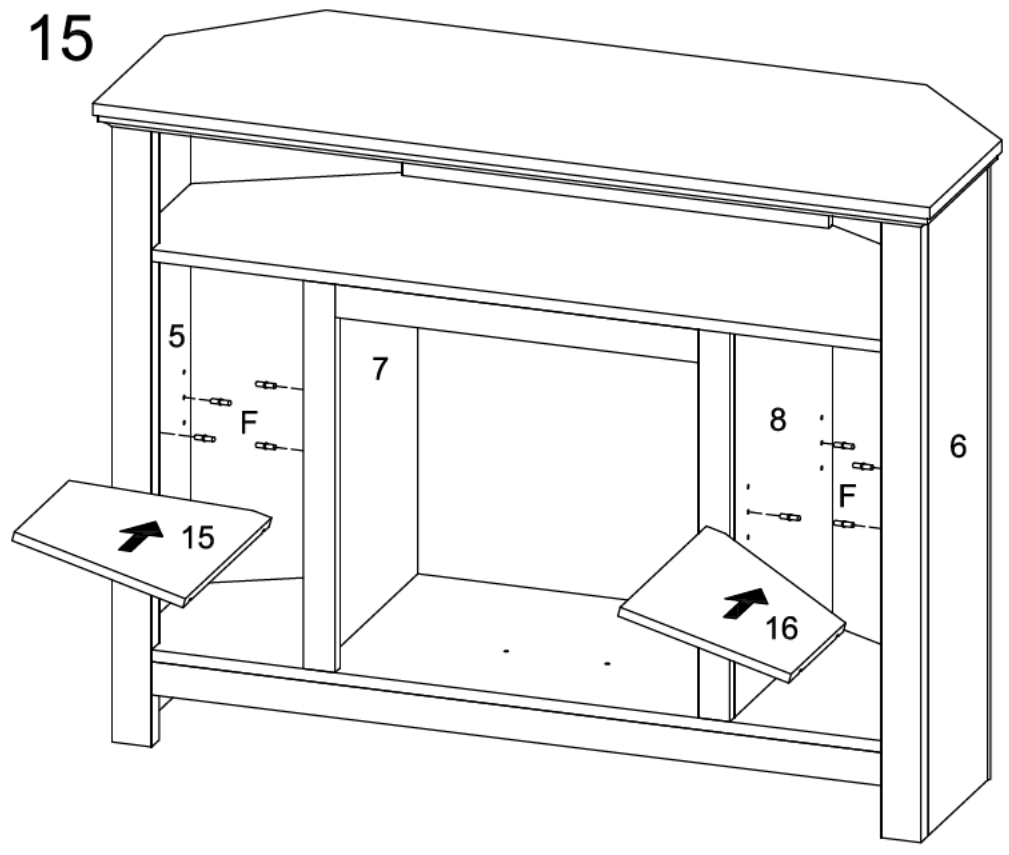
Step 13



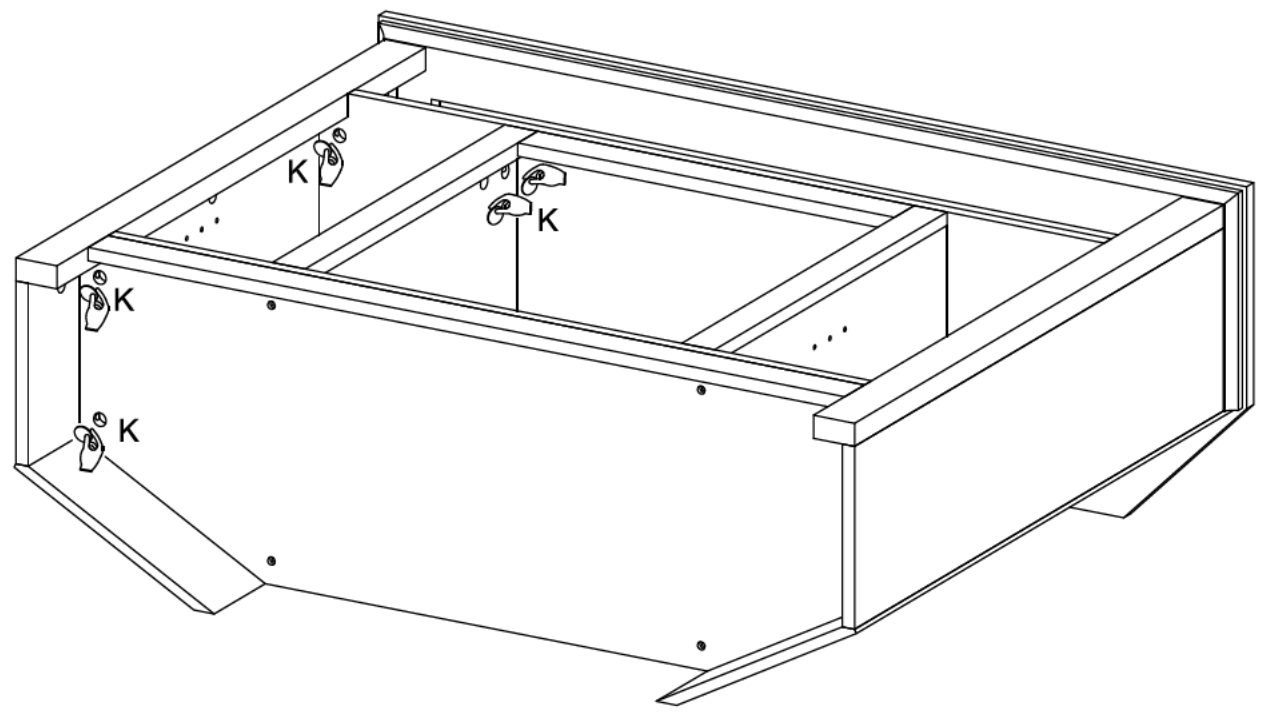
Step 14



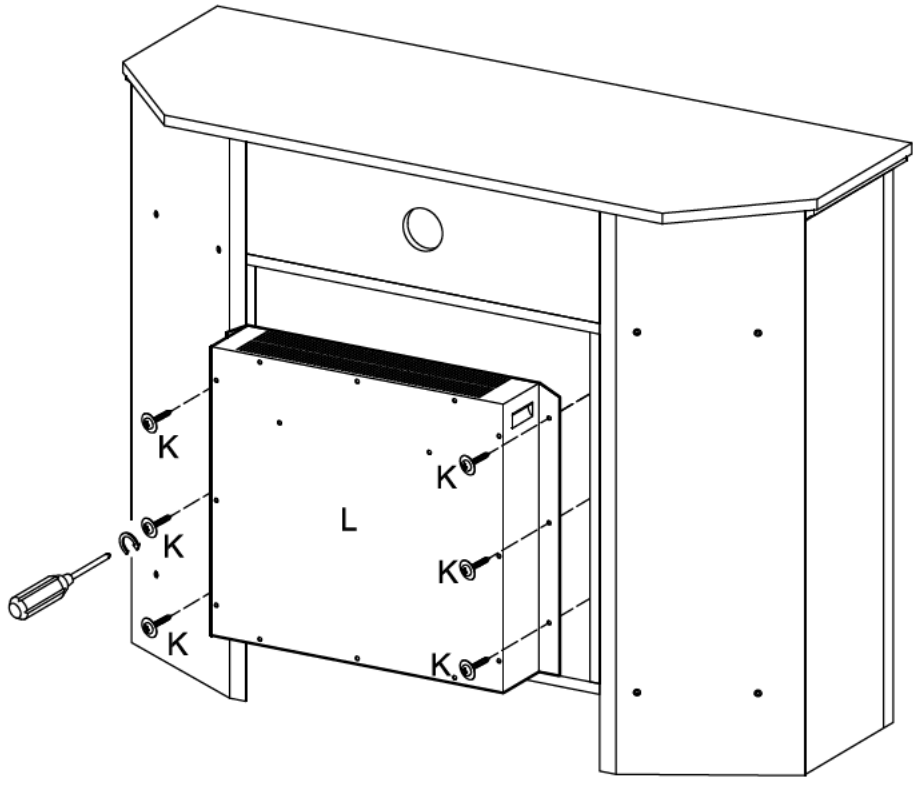
Step 15



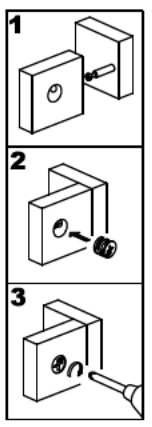
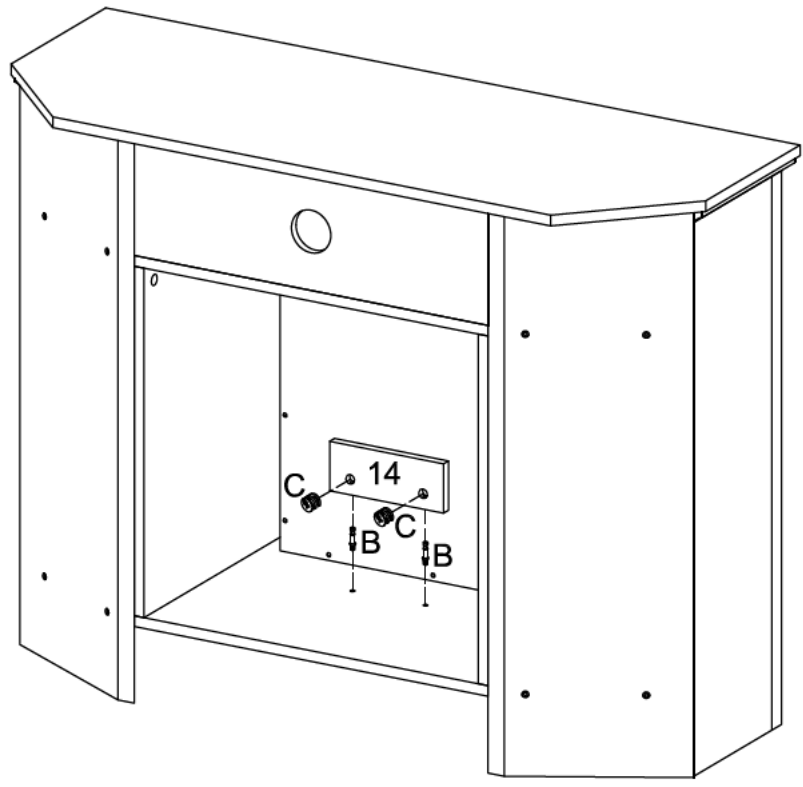
Step 16



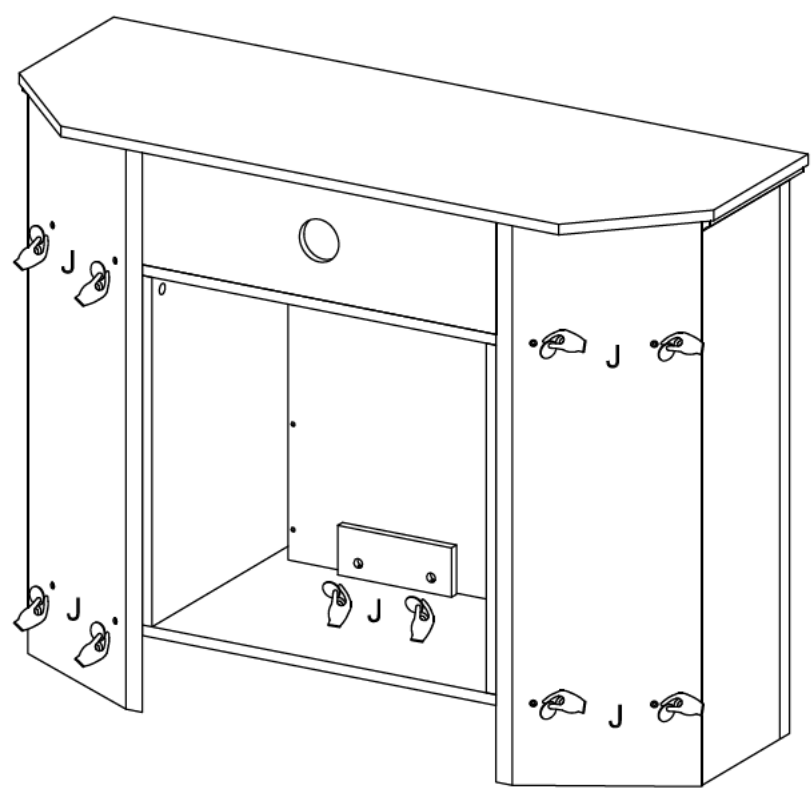
Step 17



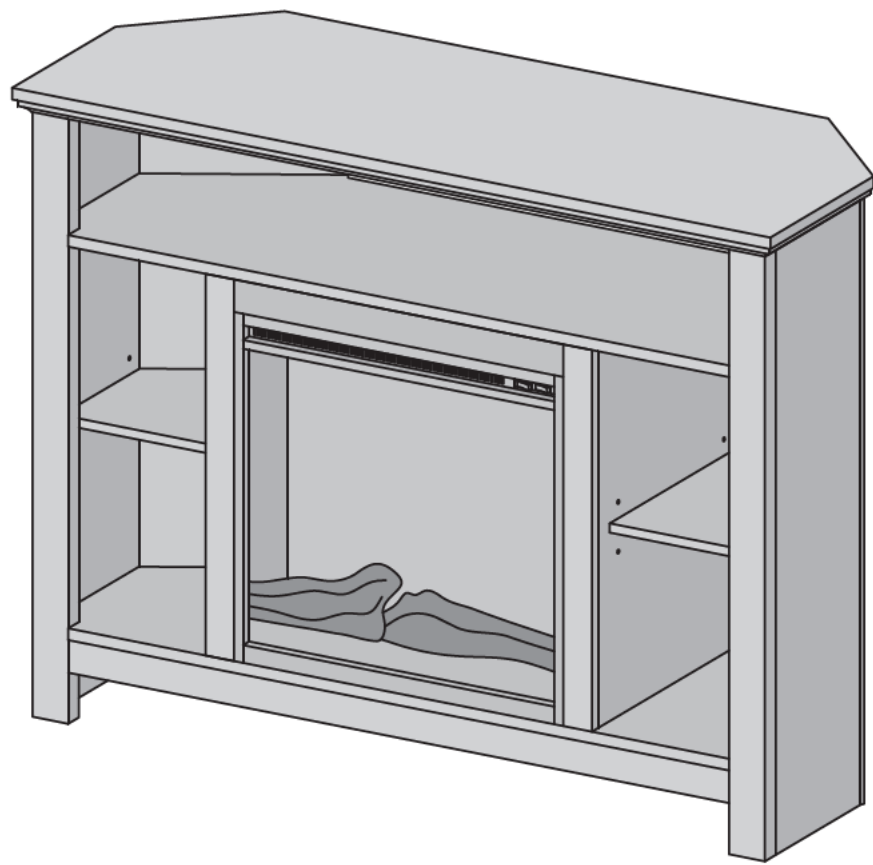
Step 18



Step 19



Step 20



Final Assembly