

⚠ SAFETY AND CARE ADVICE ⚠

PLEASE READ THESE INSTRUCTIONS CAREFULLY AND KEEP FOR FUTURE REFERENCE

- **Warning:** This unit weighs approximately 83kgs. Please lift with care.
- Check you have all the components and tools listed on pages 2 and 3.
- Remove all fittings from the plastic bags and separate them into their groups.
- Keep children and animals away from the work area, small parts could choke if swallowed.
- Make sure you have enough space to layout the parts before starting.
- Do not stand or put weight on the product, this could cause damage.
- Assemble the item as close to its final position (in the same room) as possible.

- Assemble on a soft level surface to avoid damaging the unit or your floor (use opened out unit carton).



- We do not recommend the use of power drill/drivers **for inserting screws**, as this could damage the unit. Only use hand screwdrivers.
- Dispose of all packaging carefully and responsibly.

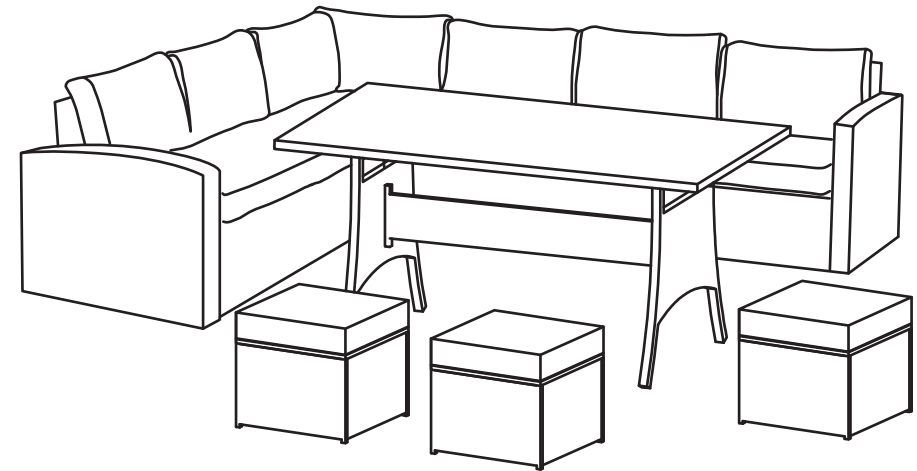
CARE AND MAINTENANCE

- Only clean using a damp cloth and mild detergent, do not use bleach or abrasive cleaners.
- From time to time check that there are no loose screws on this unit.

- This product should not be discarded with household waste. Take to your local authority waste disposal center.

Note If required the next page can be cut out and used as reference throughout the assembly. Keep this page with these instructions for future reference.

ASSEMBLY INSTRUCTIONS

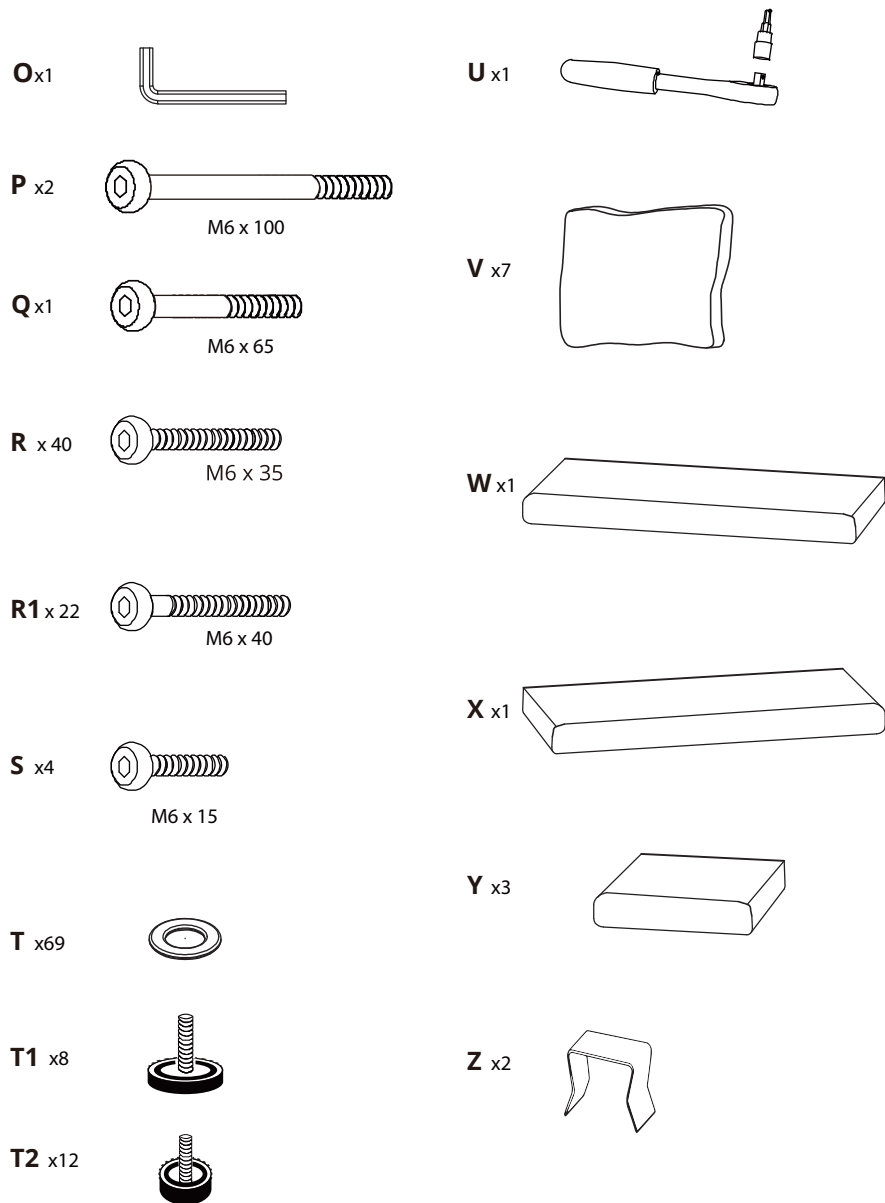


Congratulations! Now you have finished assembling the product. There may be some dust or hand marks on your item, we recommend using a standard wood polish to clean this product.

CONTENTS

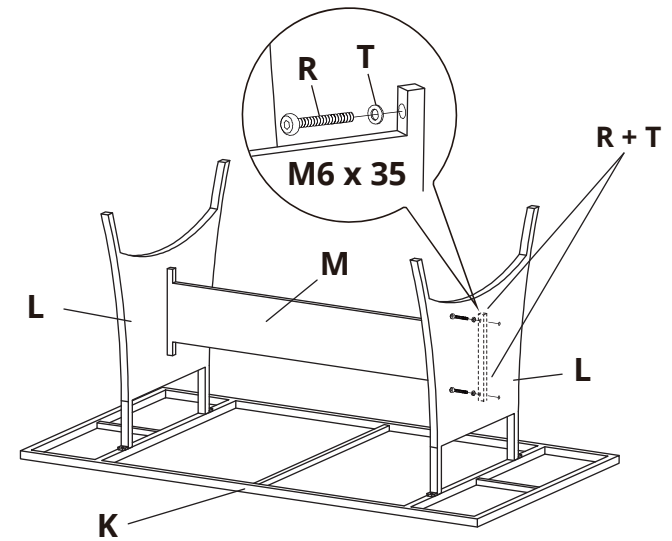
Safety and care advice	1
Components	2
Assembly instructions	4
Copyright	15

COMPONENTS

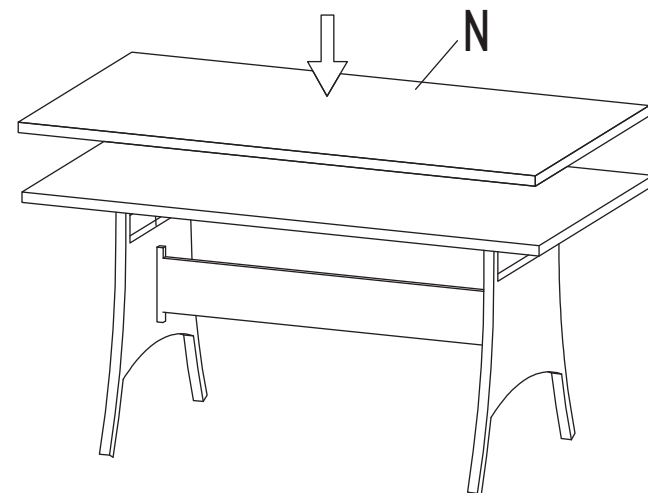


ASSEMBLY INSTRUCTIONS

Step 17

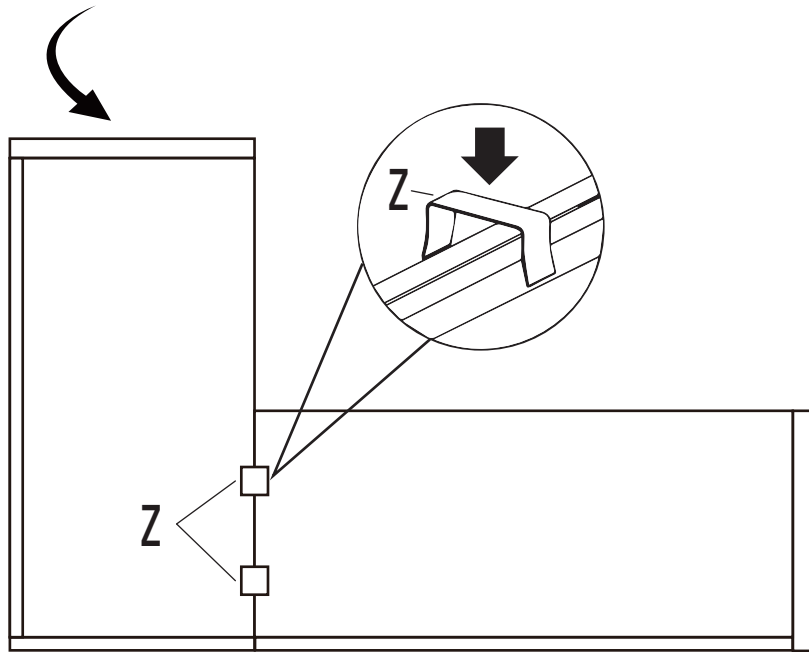
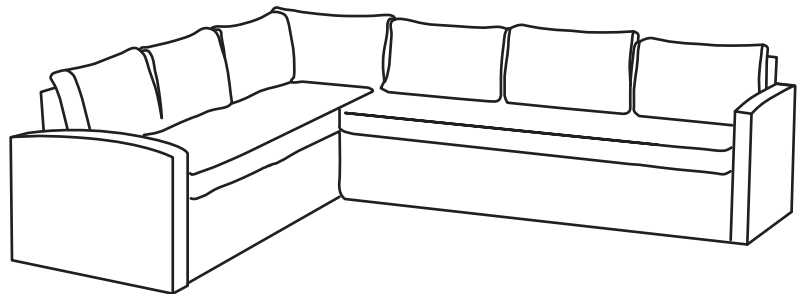


Step 18



ASSEMBLY INSTRUCTIONS

Step 19



COMPONENTS

Ensure the following components are in the box before proceeding with assembly:



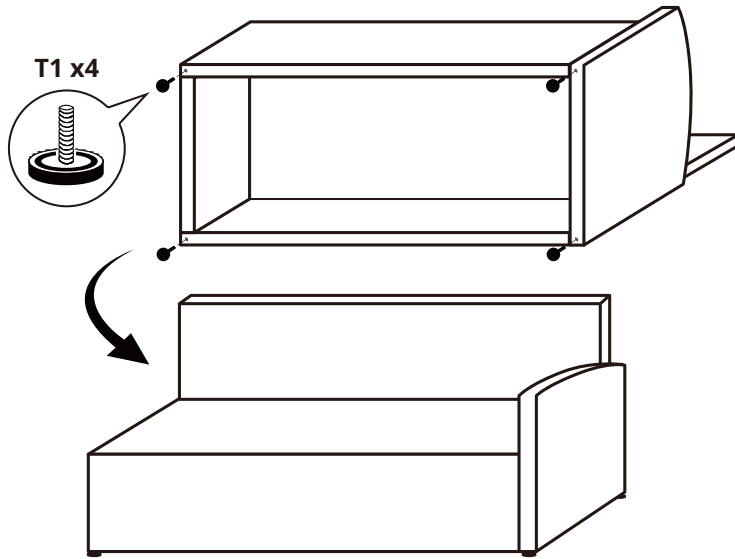
- A** x1
 - B** x1
 - C** x1
 - D** x1
 - E** x1
 - F** x1
 - G1** x1
 - G2** x1
 - H** x3
 - I** x6
 - J** x6
 - K** x1
 - L** x2
 - M** x1
 - N** x1
- Clear Tempered Glass



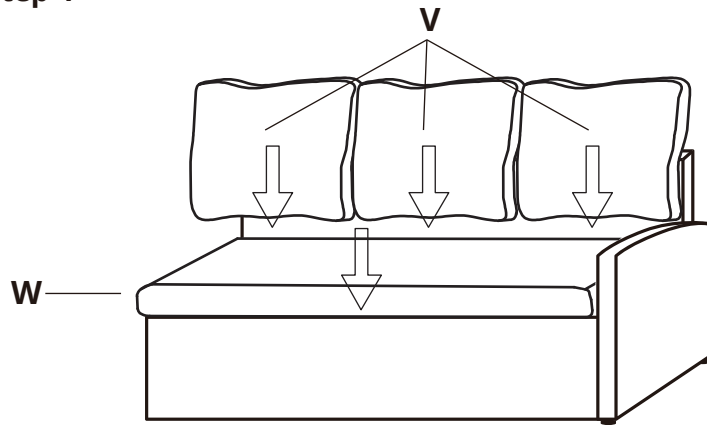
ASSEMBLY INSTRUCTIONS

Step 3

T1		4
----	---	---




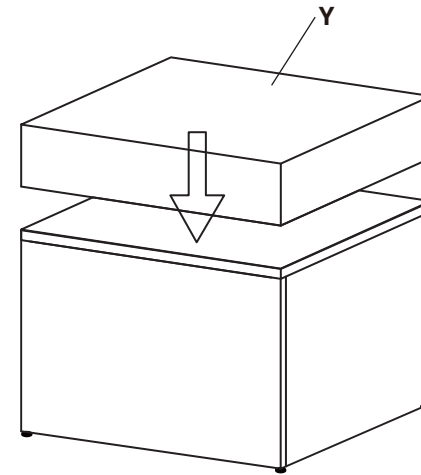
Step 4



ASSEMBLY INSTRUCTIONS






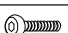

Step 13

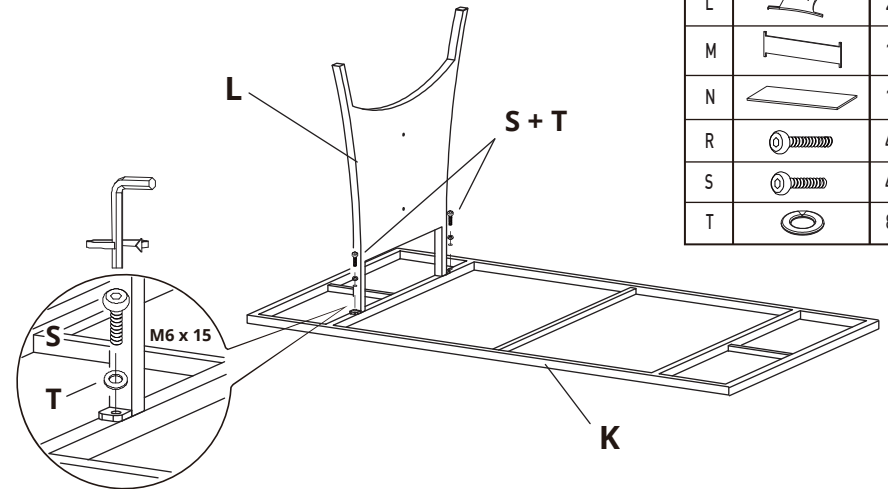
Y		3
---	---	---



x3

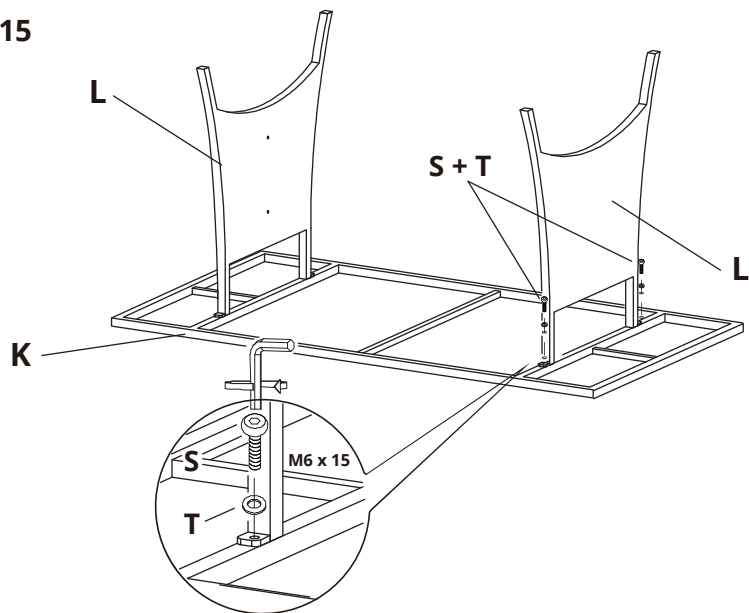
Step 14

K		1
L		2
M		1
N		1
R		4
S		4
T		8

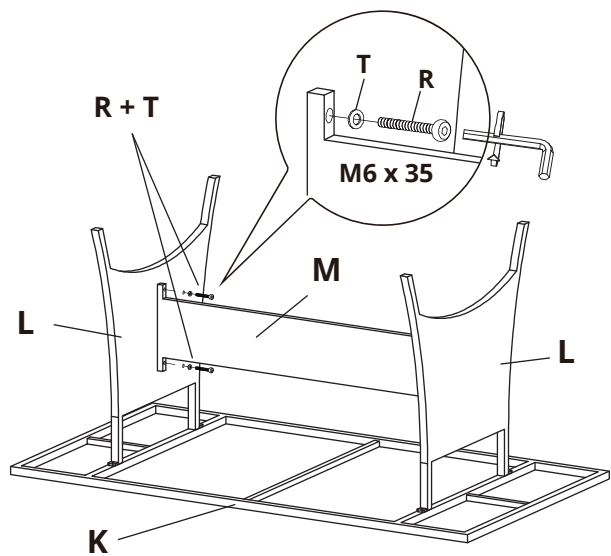


ASSEMBLY INSTRUCTIONS

Step 15



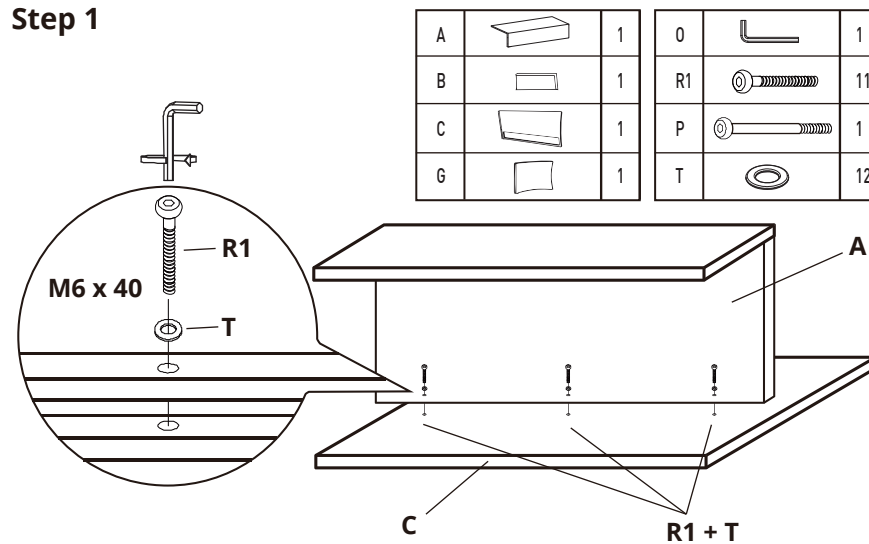
Step 16



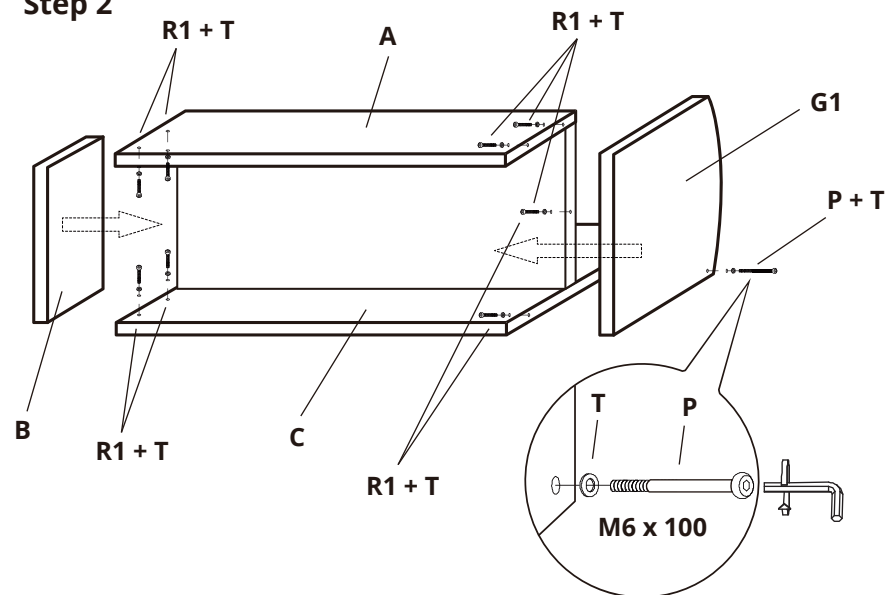
ASSEMBLY INSTRUCTIONS

Please note, When building this product bolts should be finger tightened until all parts are in place. Only once all parts and bolts are assembled should bolts them be fully tightened using the ratchet.

Step 1



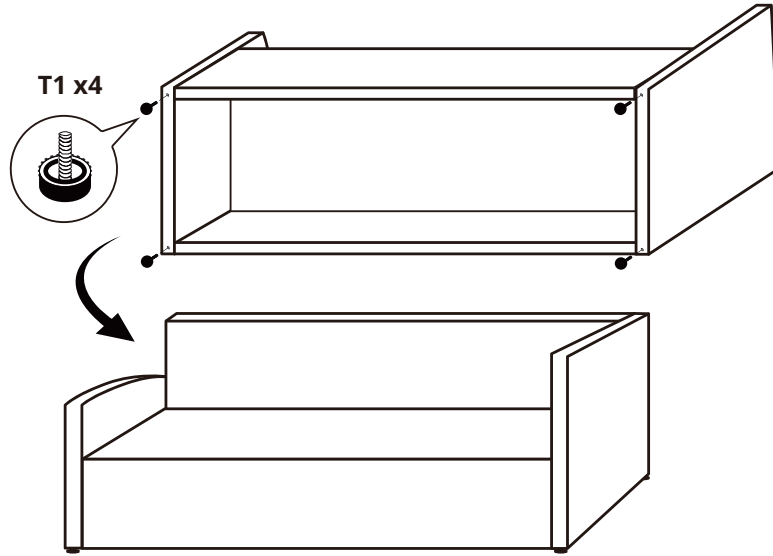
Step 2



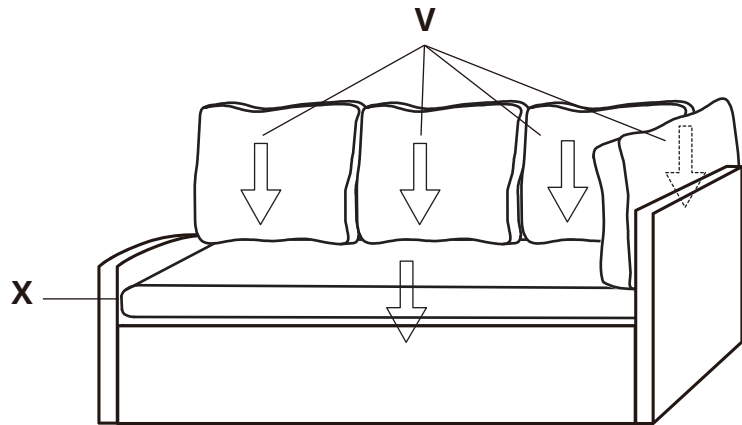
ASSEMBLY INSTRUCTIONS

Step 7

T1		4
----	---	---










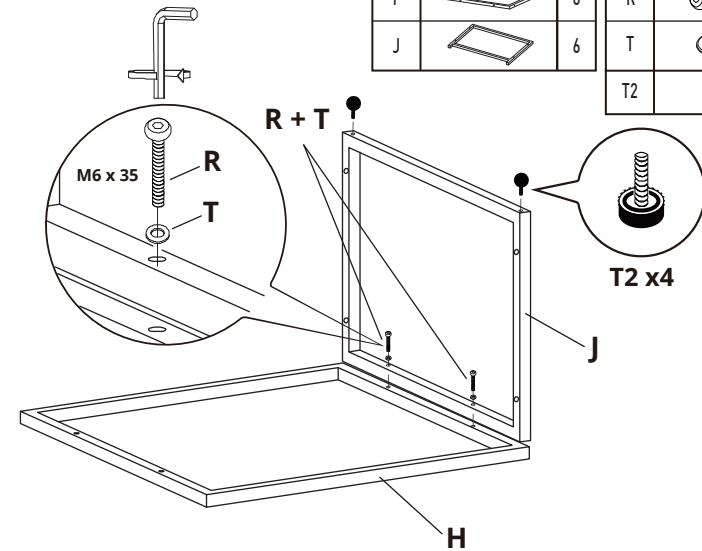
Step 8



ASSEMBLY INSTRUCTIONS

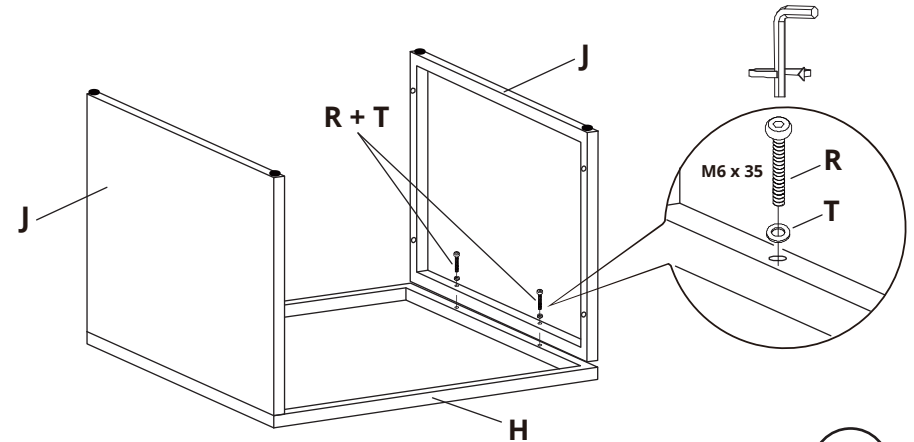
Step 9

H		3	O		1
I		6	R		36
J		6	T		36
			T2		12



x3

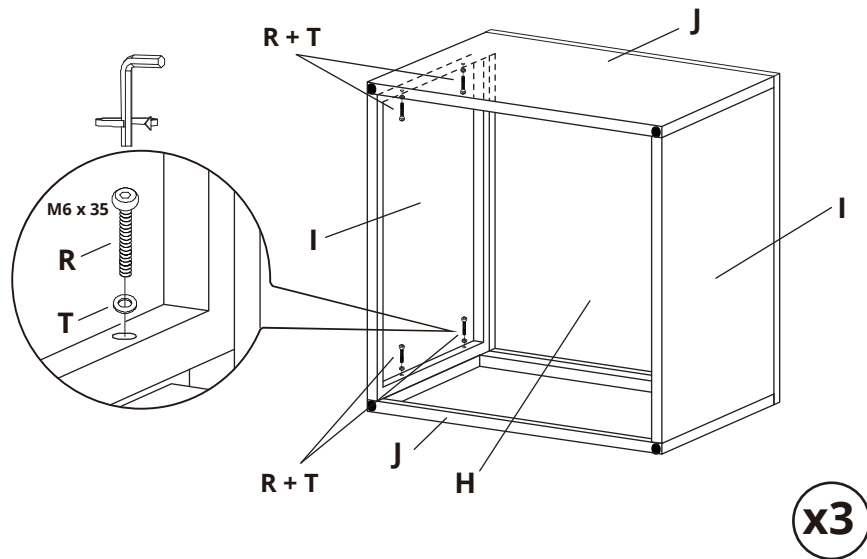
Step 10



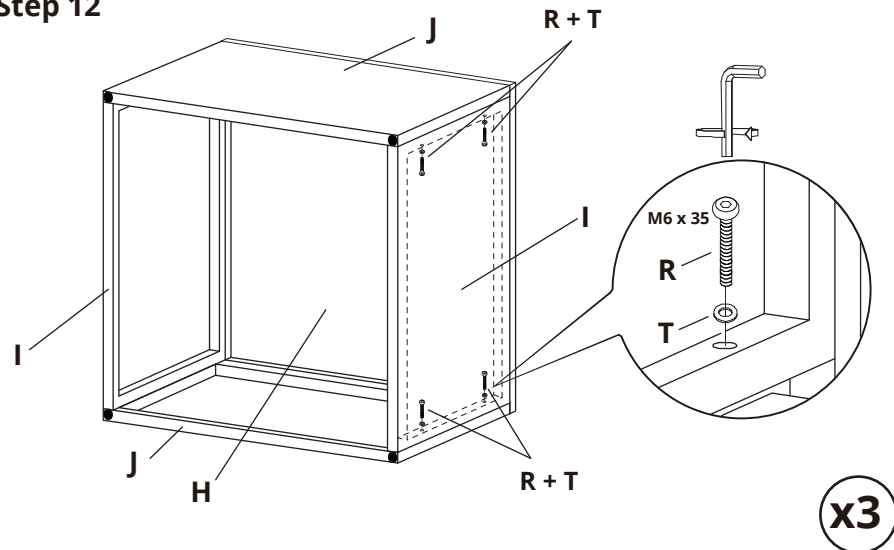
x3

ASSEMBLY INSTRUCTIONS

Step 11



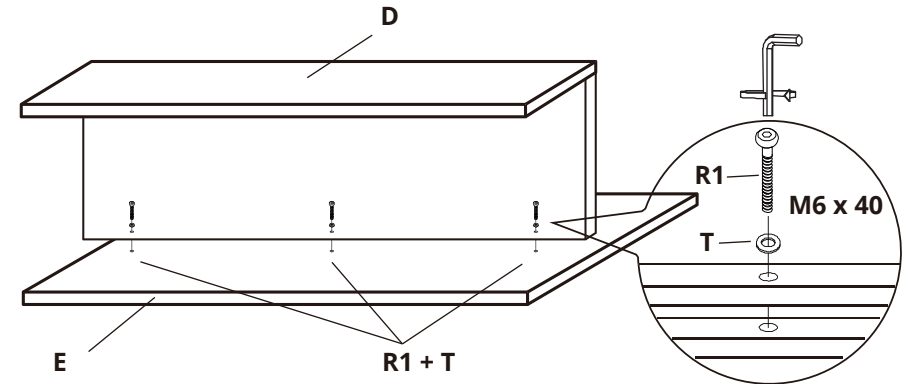
Step 12



ASSEMBLY INSTRUCTIONS

Step 5

D		1	G		1	P		1
E		1	O		1	Q		1
F		1	T		13	R1		11



Step 6

