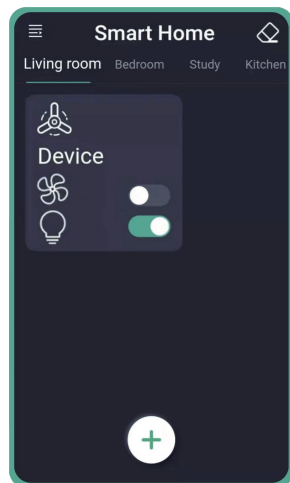
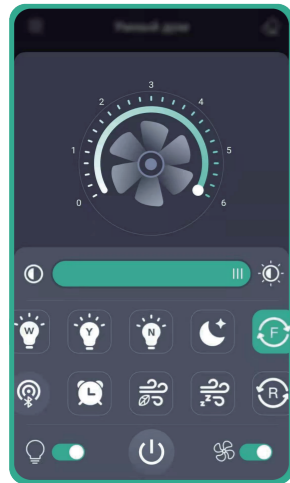


07

APP CONTROL INSTRUCTIONS

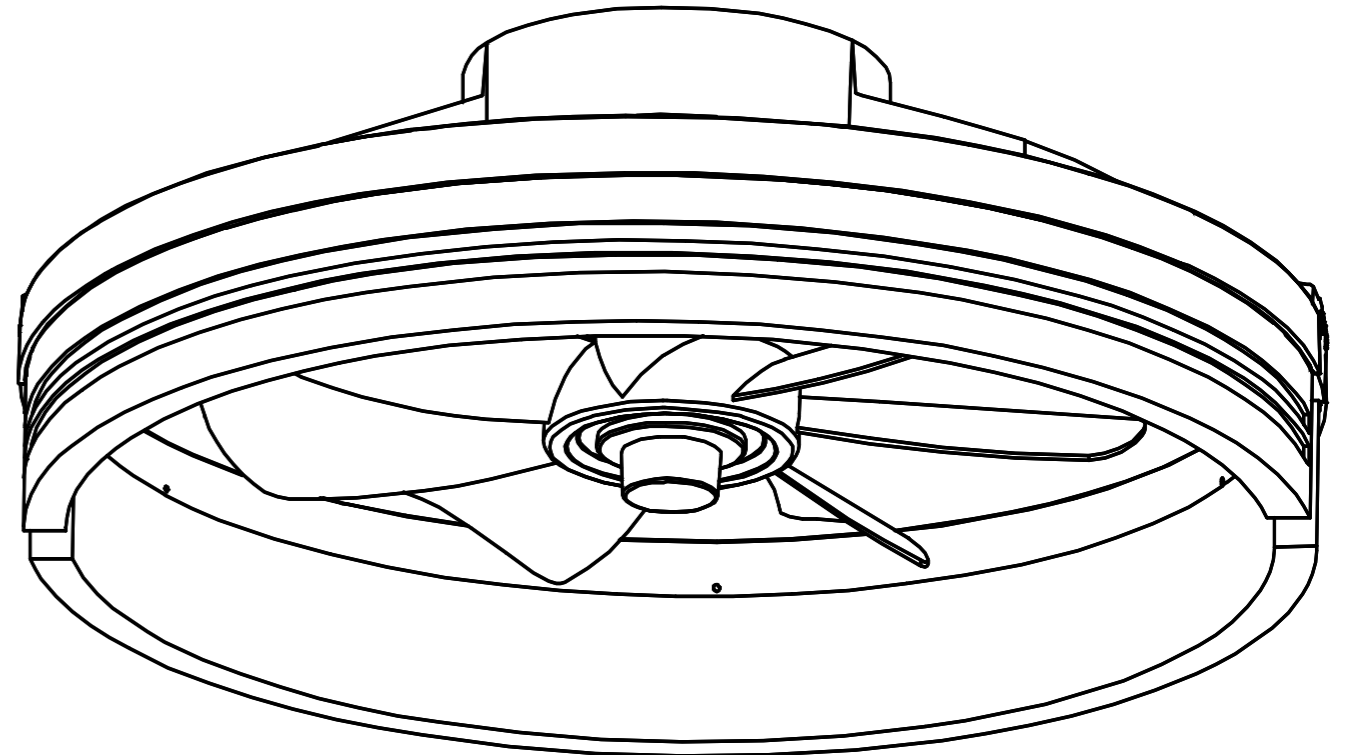
Install the Fanlamp Pro™ app from GooglePlay, AppleAppStore, or other app stores by scanning the QR code or searching for the app name. Ensure that your phone is connected to the internet and Bluetooth enabled.



- Pair button. Click it within 5 seconds after the fan is powered on from wall switch. After the fan flashes or beeps, it has been successfully paired with the phone, it can be controlled through it.
- Slide to change the fan speed.
- Slide to change the brightness of the light.
- Quick switch for "White" light color. (Not supported)
- Quick switch for "Yellow" light color. (Not supported)
- Quick switch for "Natural" light color. (Not supported)
- Night mode: Dim the lights. (Not supported)
- Fan moves forward.
- Fan moves reversely.
- Change the direction of the wind. (Not supported)
- Timing the fan.
- Natural wind: The fan speed will change automatically when you use this function.
- Sleeping wind. (Not supported)
- Turn on/off the light.
- Turn on/off the fan.
- Unpairing: Click the unpair button within 5 seconds after turning on the fan. Once the fan flashes or beeps, it has been successfully unpaired from your phone.

CEILING FAN WITH LIGHT

Model No.:
LL-2105W-18X



INSTALLATION MANUAL



APP Control Applicable

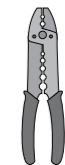
TOOLS REQUIRED



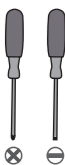
Ladder



Pliers

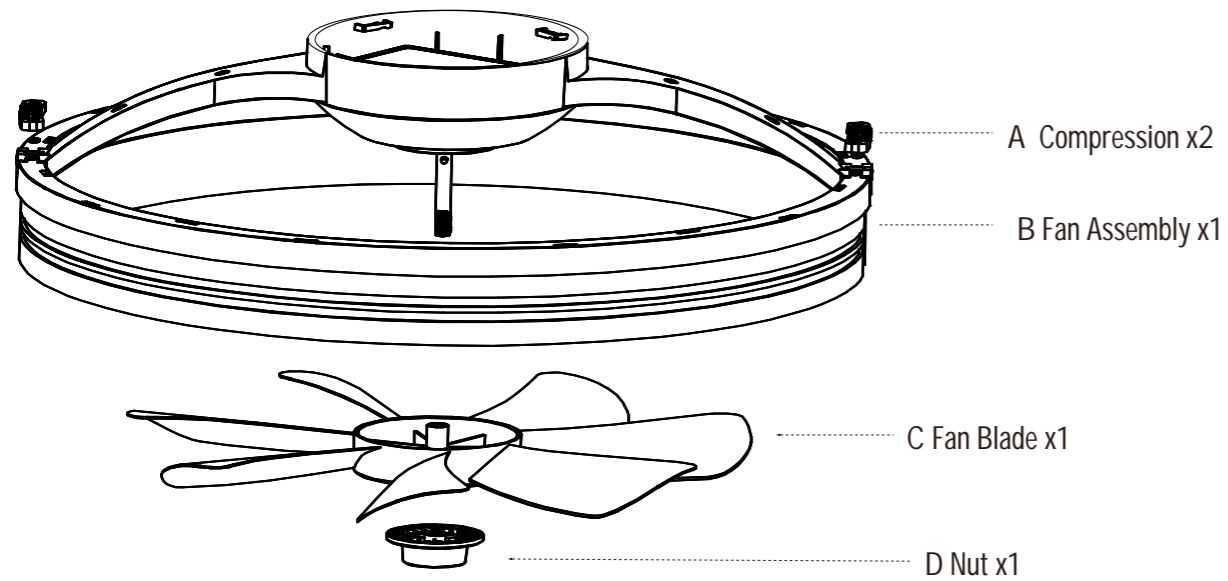


Wire Strippers


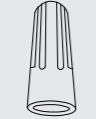







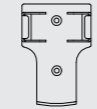



Screwdrivers

01 PACKING LIST



02 INSTALLATION KIT

AA	1×	BB	3×	CC	2×	DD	4×
							
Mounting Bracket		Wire Nut		Outlet Box Screw		Long Wood Screw	
EE	4×	FF	4×	GG	4×	HH	2×
							
Long Plastic Anchor		Flat Washer		Compression Screw		Short Wood Screw	
II	2×	JJ	1×	KK	1×	LL	1×
							
Short Plastic Anchor		Remote		Remote Holder		Gloves	

NOTE:

1. The listed quantity is for installation, extra hardware may be included.
2. Mounting Bracket (AA) is pre-installed on Fan Assembly (B).

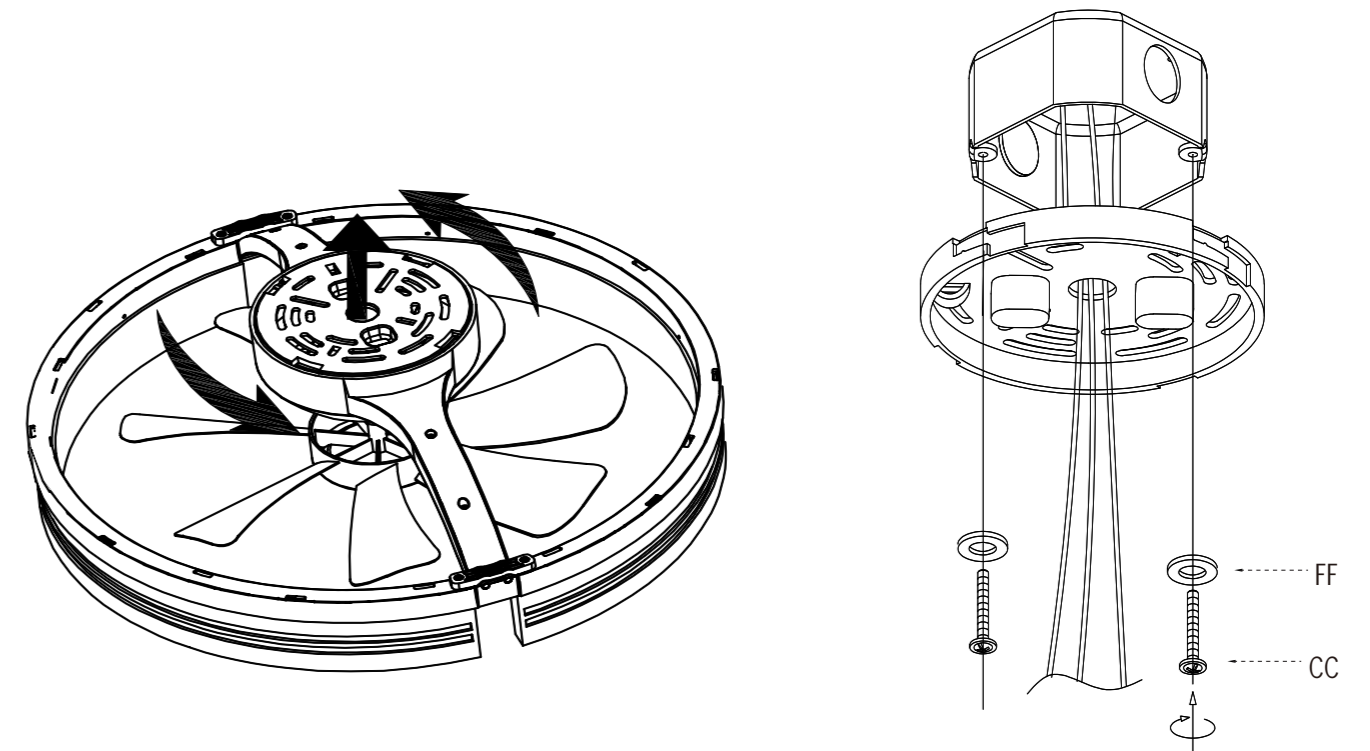
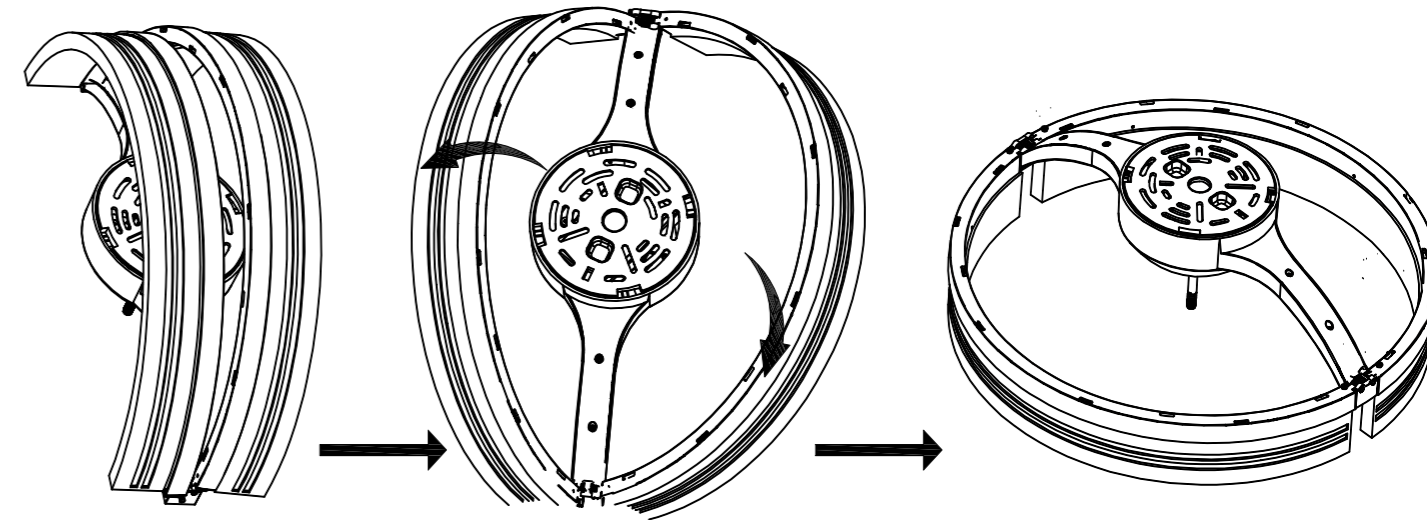
03 INSTALLATION

1. Install the Mounting Bracket

Step 1: Expand the fan light as shown.

Step 2: Rotate and remove the Mounting Bracket (AA).

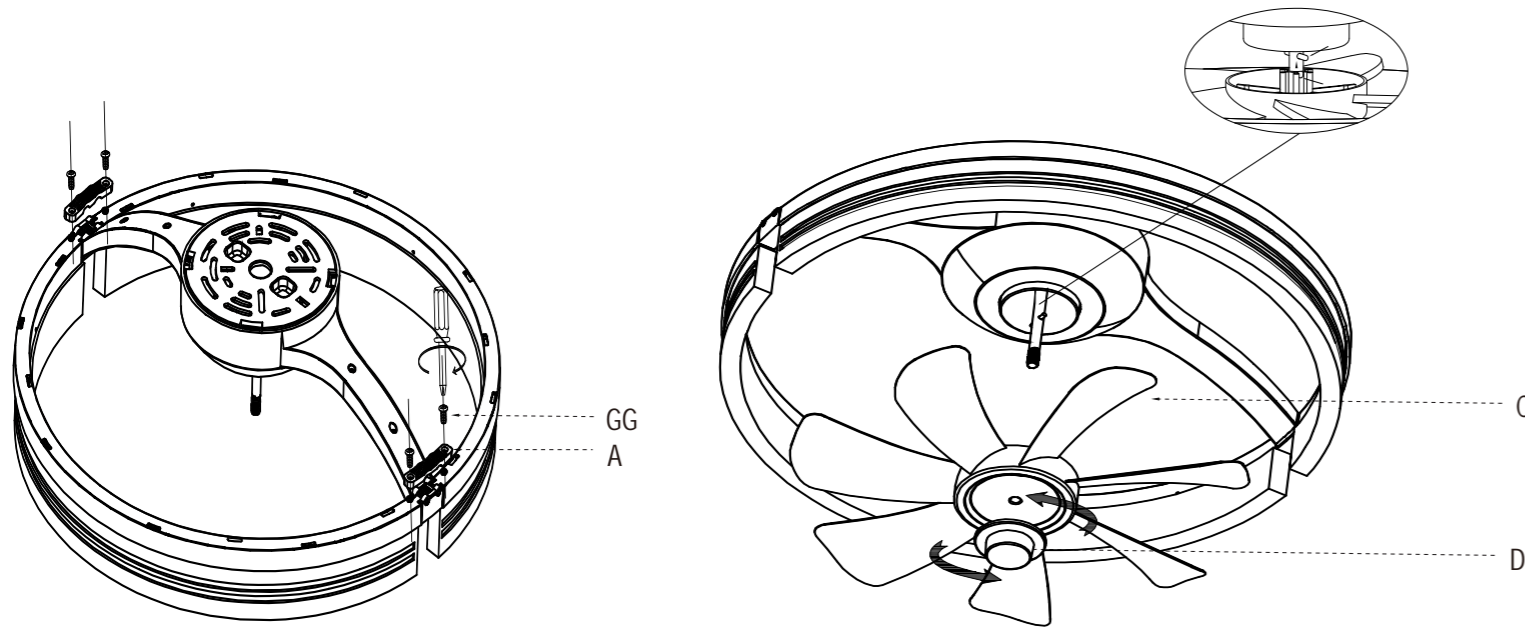
Step 3: Take off the screws from the outlet box, and secure the Mounting Bracket (AA) onto the box with the screws taken off or Outlet Box Screw (BB).



2. Install the Fan

Step 1: Install the Compression (A) on the Fan Assembly (B) and fix it with the Compression Screw (GG).

Step 2: Install the Fan Blade (C) on the Fan Assembly (B) and fix it with the Nut (D).



3. Connect the Wires

Step 1: Install the Oval Clip on the Mounting Bracket (AA) as shown.

Step 2: Connect the wires from the fan to the house supply wires using Wire Nuts (BB). Connect the neutral wire (white) to the neutral wire, and the hot wire (black) to the hot wire. Wrap the connection with electrical tape.

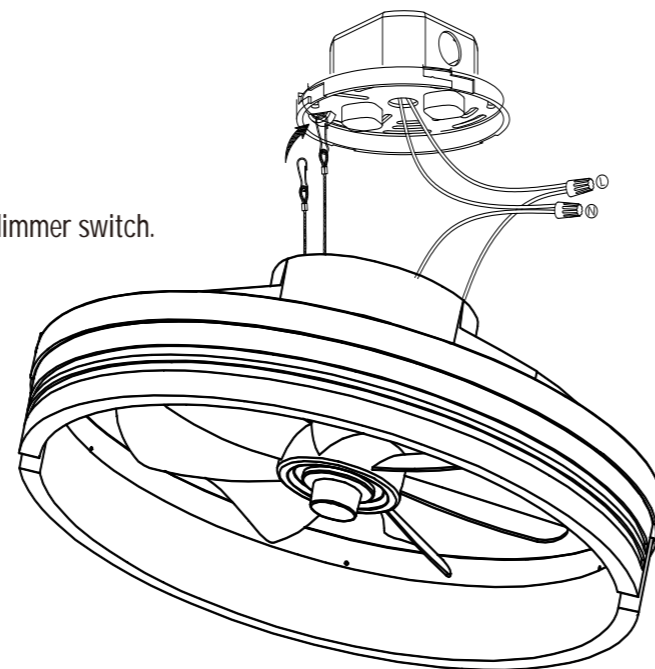
Step 3: Spread apart the wires so that the hot wires are on one side of the outlet box and the neutral wires are on the other side.

NOTE:

This fan only needs one set of input wires (black, white, and ground wire).

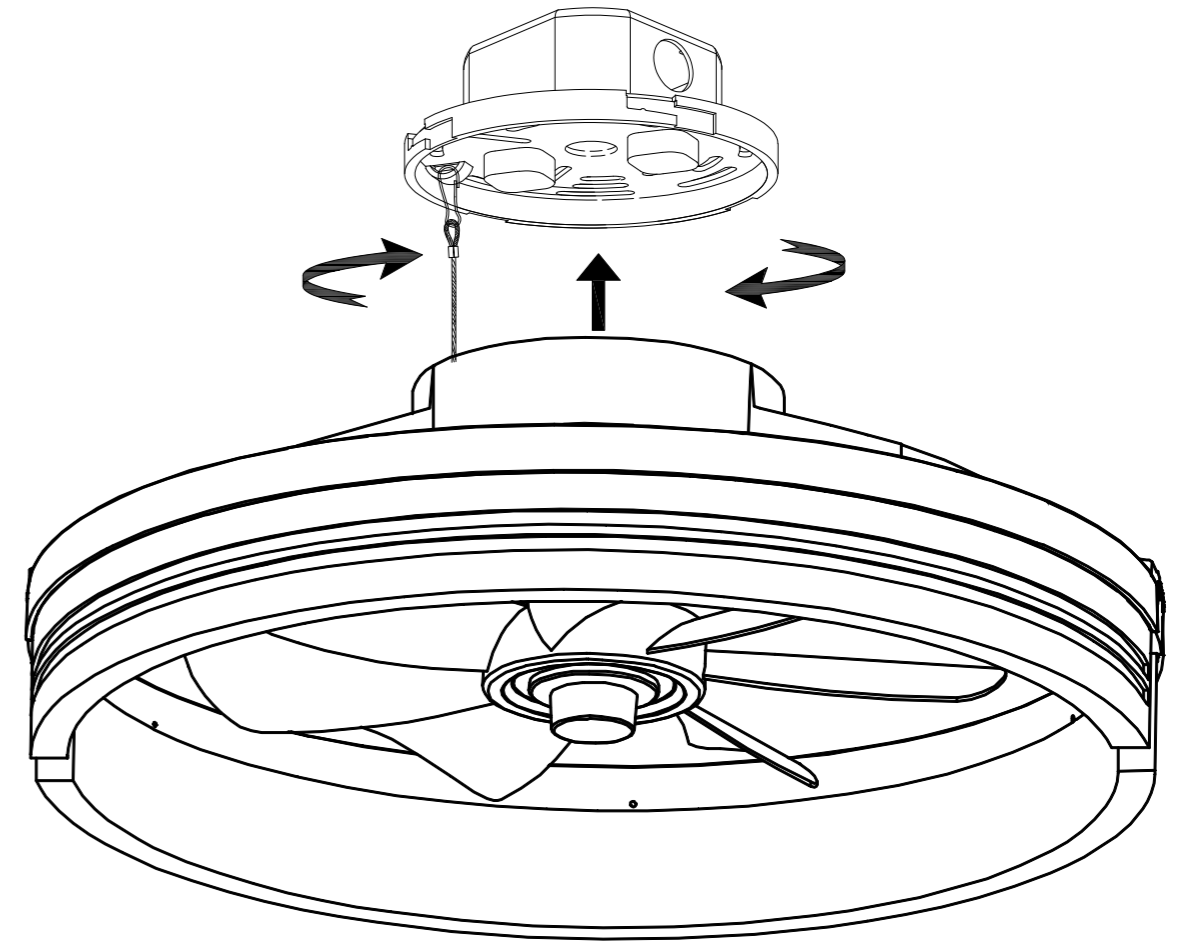
The remote controller will control both the fan and the lights.

This fan can only be connected to an on/off switch if you have one, not a dimmer switch.



4. Attach the Canopy

Rotate the Fan Assembly (B) and secure it to the Mounting Bracket (AA) as shown.

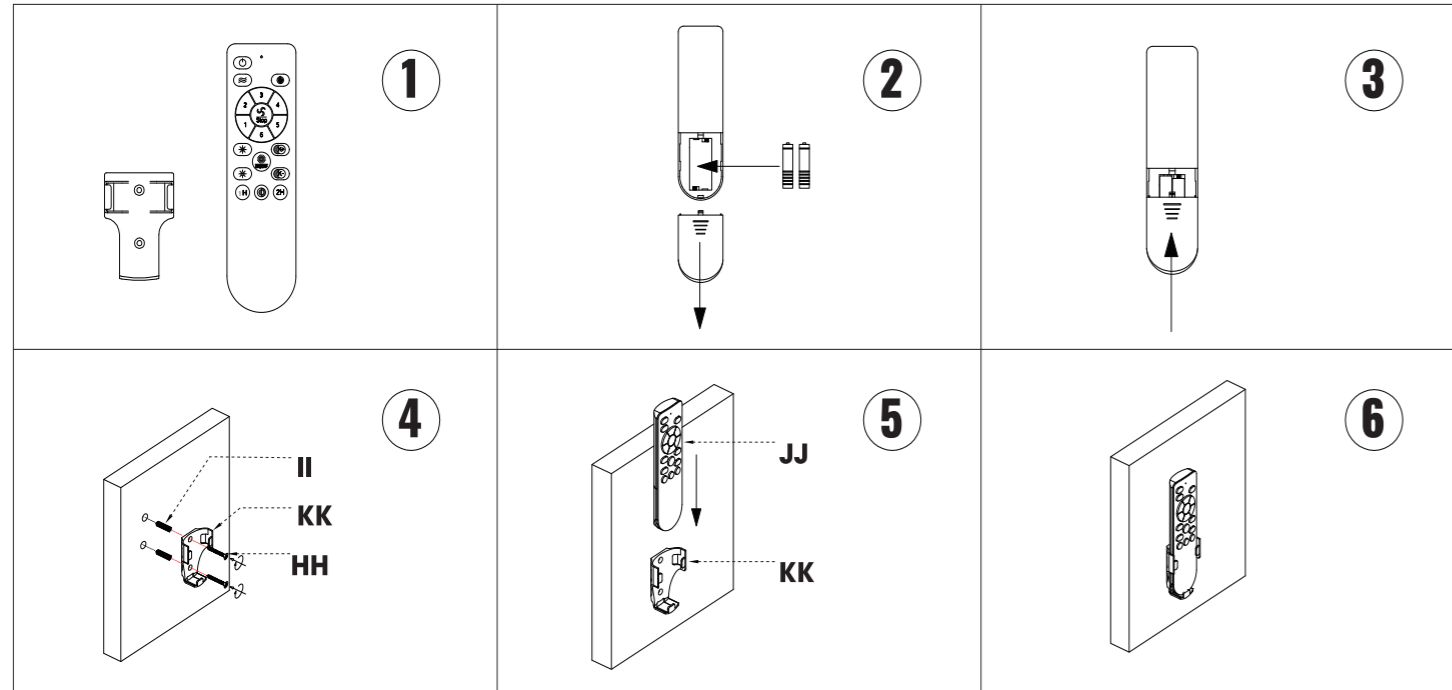


5. Install the Remote Holder

Step 1: Insert 2 batteries before using: AAA 1.5V battery x 2pcs (not included).

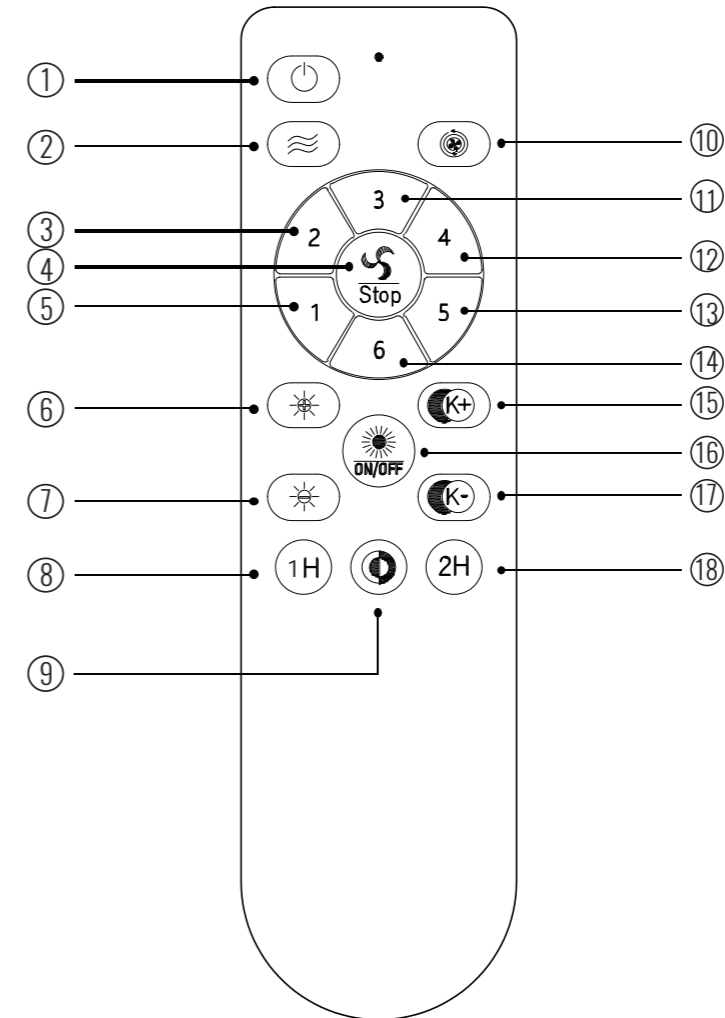
Step 2: Mark and drill screw holes in the wall, then insert the Short Plastic Anchor (II).

Step 3: Use the Short Wood Screw (HH) to fix the Remote Holder (KK) onto the wall.



06

REMOTE CONTROL INSTRUCTIONS



NOTE:

Please insert 2 batteries before using. AAA 1.5V battery x 2pcs (not included).

- ①: Turn off power.
- ②: Natural wind, fan speed will change automatically with this function.
- ⑤ ③ ⑪ ⑫ ⑬ ⑭: Turn on the fan on 1/2/3/4/5/6 speed.
- ④: Turn off the fan.
- ⑩: Fan moves forwards or reversely.
- ⑥ ⑦: Adjust the brightness of the light.
- ⑮ ⑰: Adjust the light color temperature.
- ⑯: Turn on / off the light.
- ⑨: Quick switch of the light color: warm white→cool white→daylight white.
- ⑧ ⑱: 1H/2H for timing the fan.

REMOTE SIGNAL PAIRING: If the remote control loses signal of the fan, press and hold the button ⑯ at the very beginning after it's turned on from wall switch. After the fan light flashes or beeps, it's done.