

WARNING

- * Switch off the main electrical supply from the main fuse box / circuit breaker before installation.
- * Inspect item carefully before attempting to install.
- * If there is any damages or obvious defects, do not install.
- * Item may not be returned once it has been installed.

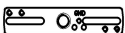
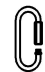


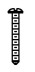

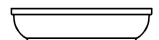

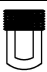
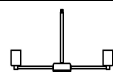



CARE AND MAINTENANCE

- * To clean the outside of the fixture, use a dry or slightly dampened clean cloth (use clean water, never a solvent) to wipe the surface of the fixture.
- * To clean the inside of the fixture, first disconnect power to the fixture by turning off the circuit breaker or by removing the fuse at the fuse box. Next, use a dry or slightly dampened clean cloth (use clean water, never a solvent) to wipe the interior surface of the fixture.
- * Do not use any cleaners with chemical, solvents or harsh abrasives. Use only a dry soft cloth to dust or wipe carefully.

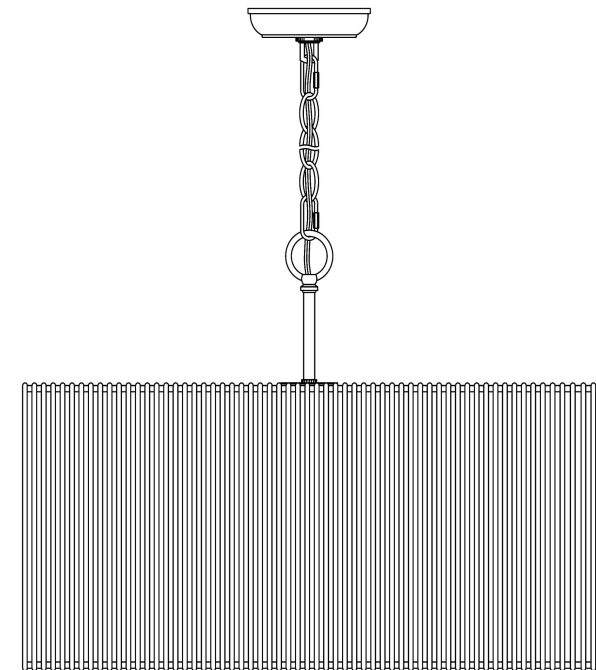
NOTICE& IMPORTANT SAFETY INSTRUCTIONS

- ** WE RECOMMEND INSTALLATION OF THIS LIGHTING FIXTURE BE DONE BY A LICENSED ELECTRICIAN **
- * Please make sure that you have all parts indicated before you begin assembly of this item
- * This item should be assembled on a soft surface to prevent scratching the finish during assembly
- * To reduce the risk of fire, electrical shock or injury to persons or property, please follow the guideline below for safe use and installation
- *The external flexible cable or cord of this lamp cannot be replaced
If the cord is damaged, the lamp shall be destroyed

Part List and Hardware List

PIECE	DESCRIPTION	PICTURE	QUANTITY	PIECE	DESCRIPTION	PICTURE	QUANTITY
A	Mounting Plate		1X	H	Closable Link		2X
B	Wire Nut		3X	I	Ground Screw		1X
C	Mounting Screw		2X	J	Fixture Loop		1X
D	Canopy		1X	K	Shade		1X
E	Hanging Loop		1X	L	Lamp Body		1X
F	Canopy Nut		1X	M	Bulb		5X
G	Chain		1X				

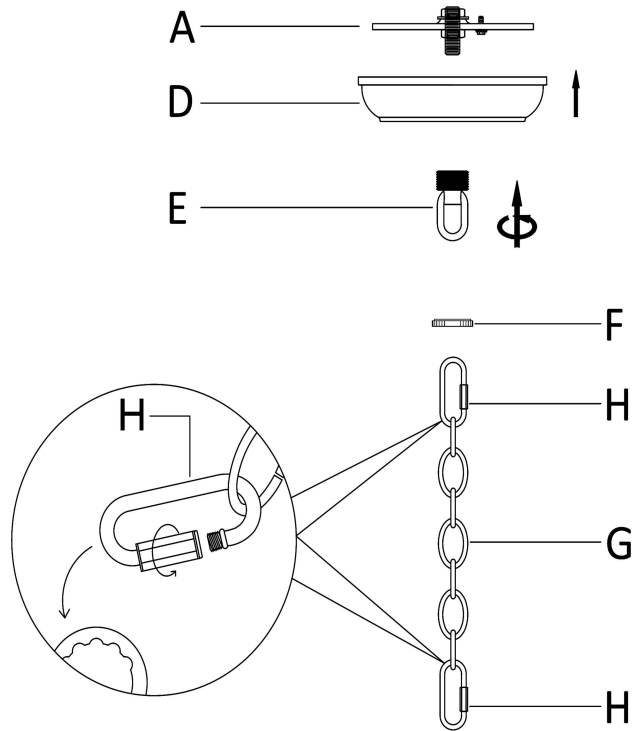
Product Dimensions: 24"L X 24"W X 21-80"H



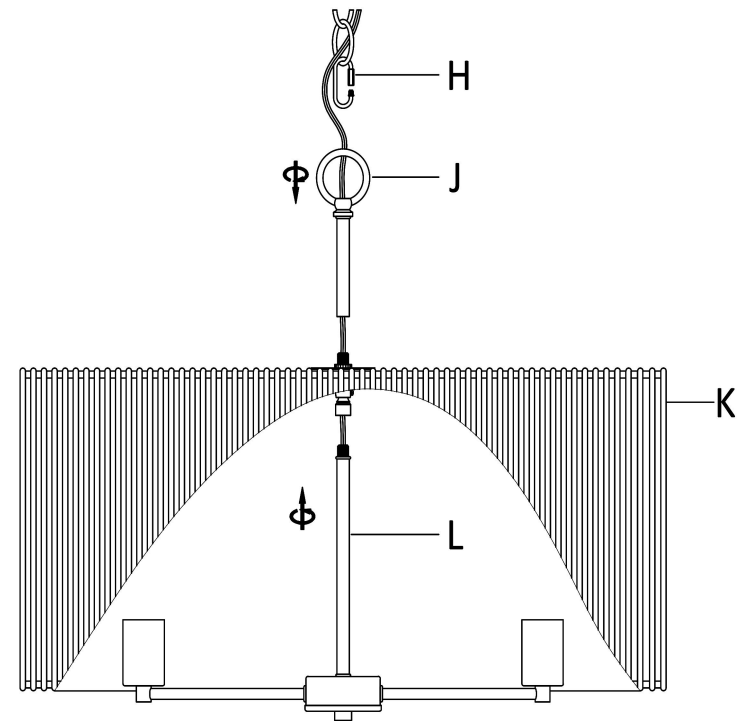
PREPARATION

- * Before beginning assembly of product, make sure all parts are present. Compare parts with package contents list and hardware contents list.
- * If any part is missing or damaged, do not attempt to assemble the product.
- * Estimated Assembly Time: 20 minutes.
- * Tools Required for Assembly (not included): Screwdriver, Junction box

NOTE:PLEASE USE TYPE"A" BULB MAX 25-WATT OR CFL BULB MAX 13-WATT OR LED BULB MAX 5-WATTTHERE ARE 5PCS LED 4-WATT BULB IN THE BOX



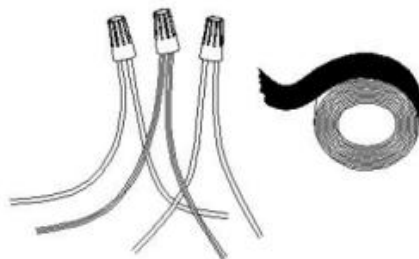
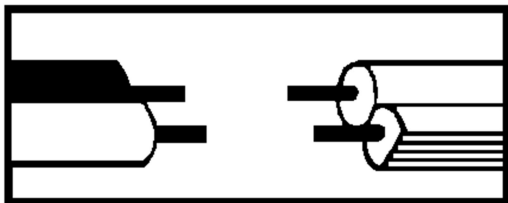
Step 1: Unpack all parts from cartons carefully. Place the Canopy(D) onto the Hanging Loop(E) Place the tube of Mounting Plate(A) into the threaded portion of the Hanging Loop(E) and fix it by turning the Canopy Nut(F) clockwise till tight. Attach the Closable Link(H) onto the Hanging Loop(E)



Step 2: Attach the Lamp Body (L) to the lamp Shade (K), Thread Fixture Loop (J) to Shade(K) of the nipple. Attach the Closable Link(H) onto the Fixture Loop (J).

PREPARATION

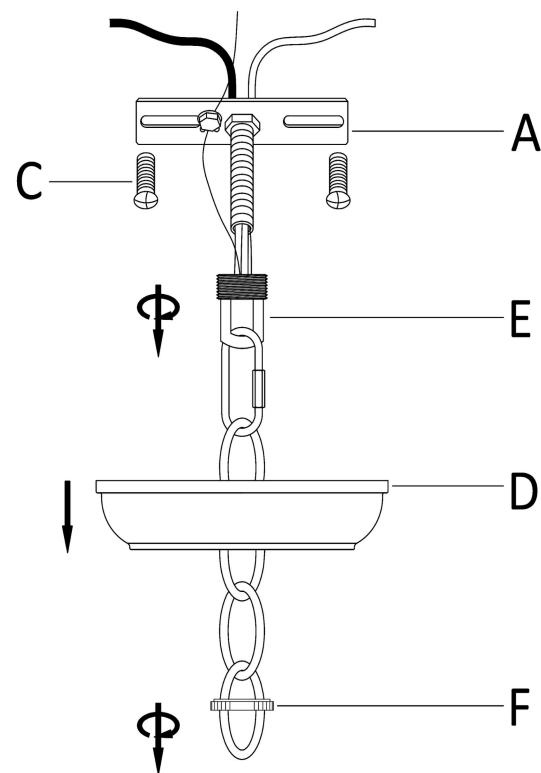
- * Before beginning assembly of product, make sure all parts are present. Compare parts with package contents list and hardware contents list.
- * If any part is missing or damaged, do not attempt to assemble the product.
- * Estimated Assembly Time: 20 minutes.
- * Tools Required for Assembly (not included): Screwdriver, Junction box



Step 3: Wire connection

Connect fixture neutral wire (ribbed) to the outlet box neutral wire (usually white) using a wire nut. Connect fixture hot wire (smooth with markings) to the outlet box hot wire (usually black) using a wire nut. CAUTION: Do not reverse the hot and neutral connections

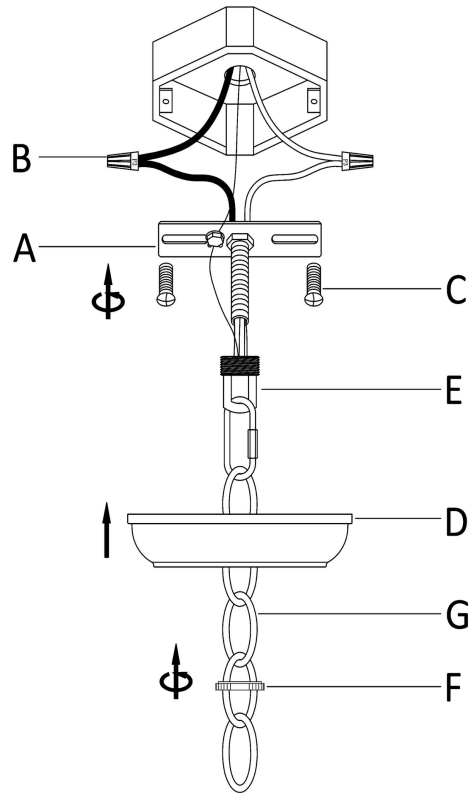
Grounding Instructions: Wrap ground wire from outlet box around green ground screw on mounting Plate (A), no less than 2" from wire end. Tighten ground screw. If fixture is supplied with a ground wire, connect to outlet ground wire with a wire connector.



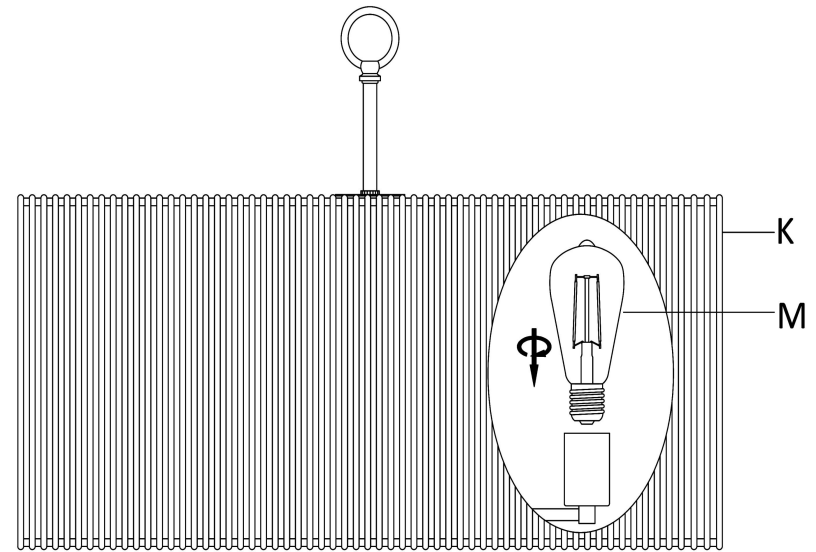
Step 4: Install the Mounting Plate(A) to the junction box with Mounting Screw (C). Separate the Mounting Plate(A) from the Canopy(D) by turning the Canopy Nut(F) anti-clockwise.

PREPARATION

- * Before beginning assembly of product, make sure all parts are present. Compare parts with package contents list and hardware contents list.
- * If any part is missing or damaged, do not attempt to assemble the product.
- * Estimated Assembly Time: 20 minutes.
- * Tools Required for Assembly (not included): Screwdriver, Junction box



Step 5: Attach the Canopy(D) to the junction box and fix it by turning the Canopy Nut(F) clockwise.



Step 6: Insert the bulbs (M) into the Sockets