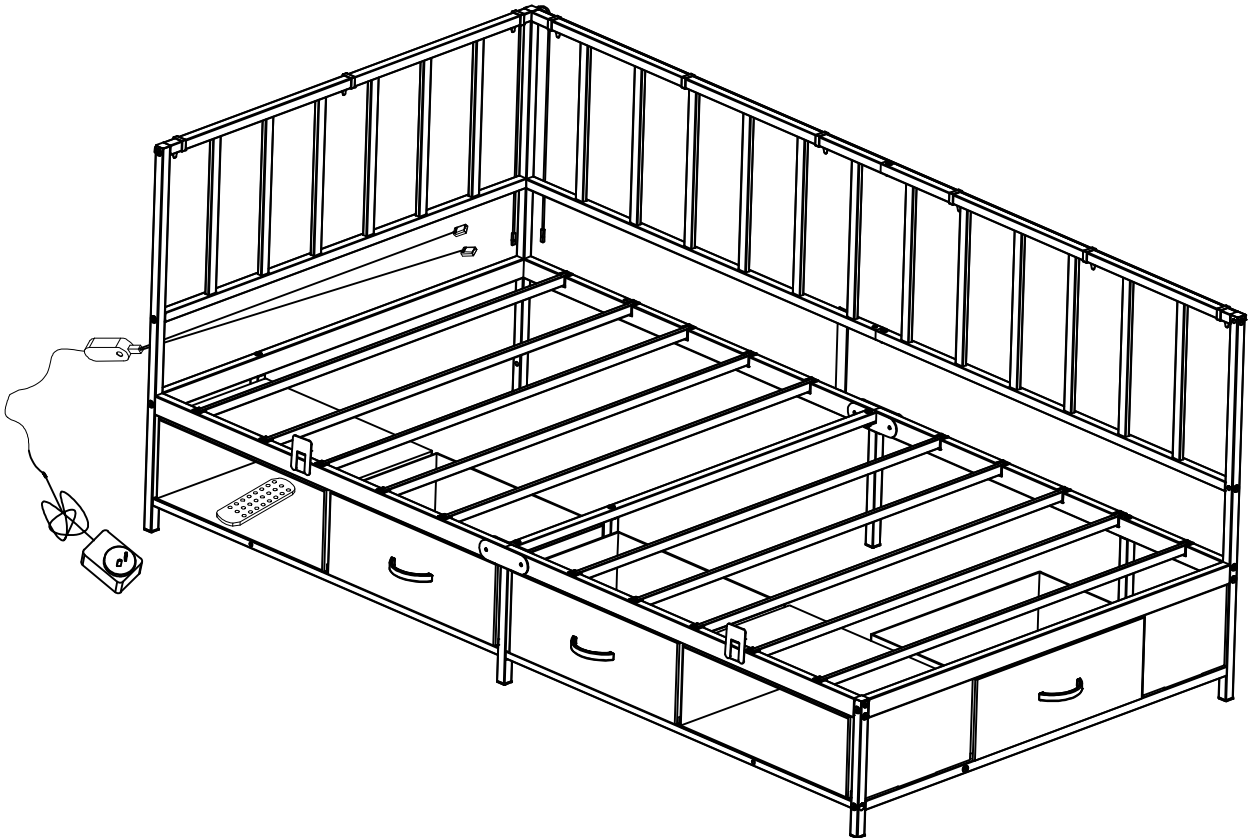


# Instruction Manual



005T  
Version:2.0

Dear Customers,

Thank you for purchasing our product. Please read this instruction manual carefully after receiving this product. It will help you assemble this product quickly, safely and correctly. You can keep this manual for future reference.

## Warnung

- Das Produkt muss gemäß den Schritten und Empfehlungen in der Anleitung installiert und verwendet werden. Der Verkäufer übernimmt keine Verantwortung für Verletzungen oder Schäden, die durch unsachgemäße Montage oder unsachgemäße Verwendung durch den Benutzer entstehen.
- Kinder dürfen dieses Produkt nicht zusammenbauen. Während des Zusammenbaus sind alle Kleinteile außerhalb der Reichweite von Kindern zu halten, um ein Verschlucken oder Einatmen und damit verbundene Verletzungen zu vermeiden.
- Bitte halten Sie Plastikverpackungen von Kindern fern, um Erstickungsgefahr beim Spielen zu vermeiden.
- Bitte tragen Sie während des Zusammenbaus/Abbaus Handschuhe, um Schnittverletzungen zu vermeiden.
- Bitte bauen Sie das Produkt auf einer großzügigen Fläche zusammen und stellen Sie das unverpackte Produkt nicht direkt auf den Boden, um Beschädigungen zu vermeiden.
- Bitte vermeiden Sie langfristige Feuchtigkeit, um Schimmelbildung und Verformung zu verhindern.
- Bitte halten Sie das Produkt von scharfen Gegenständen und korrosiven Substanzen fern.
- Bitte Überprüfen Sie während der Nutzung regelmäßig den festen Sitz der Schrauben. Ziehen Sie lose Schrauben erneut fest, um die strukturelle Integrität zu gewährleisten.
- Berücksichtigen Sie je nach Möbeltyp und Einsatzumgebung die Verwendung von Befestigungselementen, um das Möbelstück an der Wand oder anderen Gegenständen zu fixieren und ein Umkippen zu verhindern.
- Stellen Sie das Produkt während der Nutzung auf eine ebene und feste Unterlage.

## Avertissements

- Veuillez suivre le manuel d'utilisation pour assembler et utiliser le produit. Le vendeur décline toute responsabilité ou obligation pour tout dommage/blessure résultant d'un mauvais montage ou utilisation
- Il est interdit aux enfants d'assembler ce produit. Veuillez garder toutes les petites pièces hors de portée des enfants lors de l'assemblage pour prévenir tous risques mortels causés par l'ingestion ou l'inhalation accidentelles
- Pour éviter tout risque potentiel d'étouffement, veuillez garder les sacs plastiques hors de portée des enfants
- Veuillez porter des gants avant d'assembler ou de démonter le produit pour éviter de vous blesser par les bords tranchants
- Veuillez assembler le produit sur une surface plane et spacieuse et ne pas placer les pièces déballées directement sur le sol pour éviter les rayures ou dommage
- Veuillez éviter son exposition prolongée à l'humidité pour éviter la moisissure
- Veuillez garder le produit à l'écart des objets tranchants et pointus ou des substances corrosives pour éviter tout dommage
- Veuillez vérifier régulièrement si toutes les vis sont bien serrées lors d'utilisation. En cas de nécessité, resserrez-les pour assurer l'intégrité de la structure
- Veuillez fixer le produit au mur ou à d'autres objets en fonction du type de meuble et de l'environnement d'utilisation avec le dispositif anti-basculement fourni pour éviter tout basculement
- Veuillez placer le produit sur une surface plane et solide lors de votre utilisation

## Warning

- The product must be installed and used according to the steps and recommendations in the instructions. The seller assumes no responsibility for any injury or damage caused by improper assembly or improper use by the user.
- Children are not allowed to assemble this product. During assembly, all small parts should be kept out of the reach of children to avoid swallowing or inhaling and related injuries.
- Please keep plastic packaging away from children to avoid choking hazards when playing.
- Please wear gloves during assembly/disassembly to avoid cuts.
- Please assemble the product on a spacious area and do not place the unpacked product directly on the floor to avoid damage.
- Please avoid long-term moisture to prevent mold and deformation.
- Please keep the product away from sharp objects and corrosive substances.
- Please check the tightness of the screws regularly during use. Re-tighten loose screws to ensure structural integrity.
- Depending on the type of furniture and the environment in which it is used, consider using fasteners to secure the furniture to the wall or other objects to prevent it from tipping over.
- Place the product on a flat and stable surface during use.

## advertencia

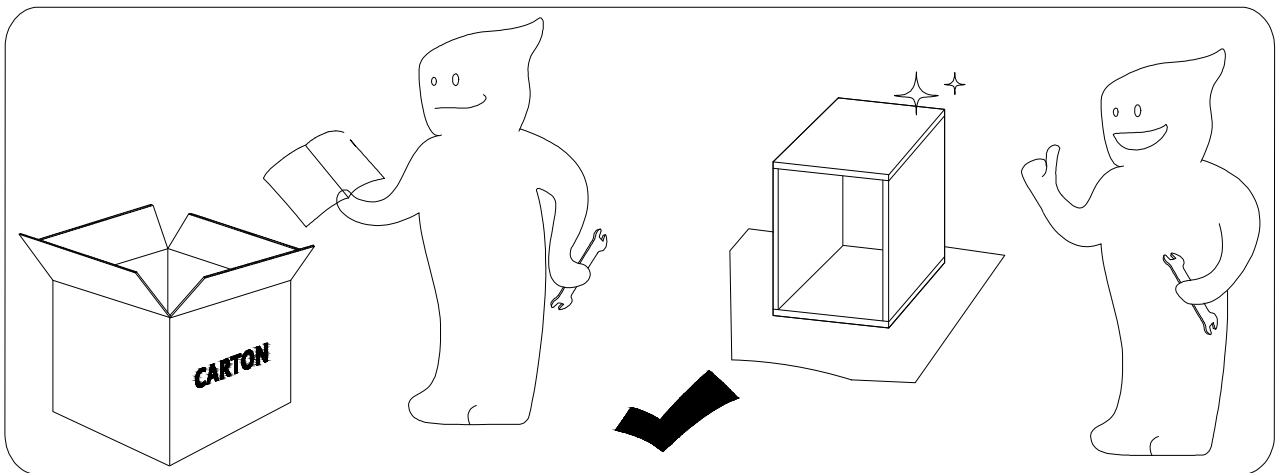
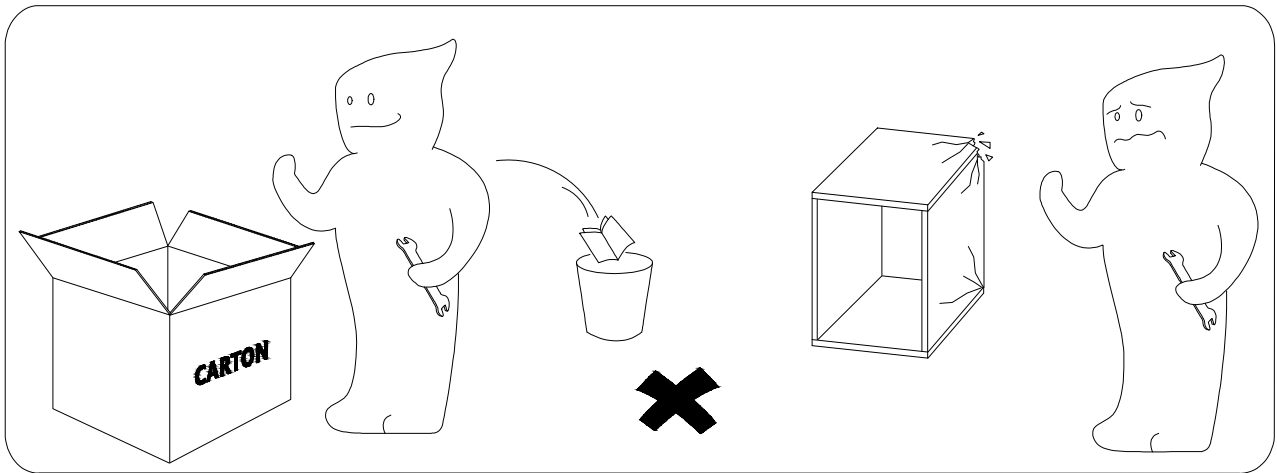
- El producto debe instalarse y utilizarse según los pasos y recomendaciones de las instrucciones. El vendedor no asume ninguna responsabilidad por lesiones o daños resultantes de un montaje inadecuado o un uso inadecuado por parte del usuario.
- No se permite que los niños monten este producto. Durante el montaje, todas las piezas pequeñas deben mantenerse fuera del alcance de los niños para evitar asfixia o inhalación y lesiones asociadas.
- Mantenga los envases de plástico fuera del alcance de los niños para evitar el riesgo de asfixia cuando juegan.
- Utilice guantes durante el montaje/desmontaje para evitar cortes.
- Monte el producto en un área espaciosa y no coloque el producto desembalado directamente en el suelo para evitar daños.
- Evite la humedad a largo plazo para evitar el moho y la deformación.
- Mantenga el producto alejado de objetos punzantes y sustancias corrosivas.
- Compruebe periódicamente el apriete de los tornillos durante el uso. Vuelva a apretar los tornillos flojos para garantizar la integridad estructural.
- Dependiendo del tipo de mueble y del entorno de uso, considere el uso de fijaciones para fijar el mueble a la pared u otros objetos y evitar que se vuelque.
- Colocar el producto sobre una superficie plana y firme durante su uso.

## avvertimento

- Il prodotto deve essere installato e utilizzato secondo i passaggi e le raccomandazioni contenute nelle istruzioni. Il venditore non si assume alcuna responsabilità per eventuali lesioni o danni derivanti da un montaggio improprio o da un uso improprio da parte dell'utente.
- I bambini non sono autorizzati a montare questo prodotto. Durante il montaggio, tutte le piccole parti devono essere tenute fuori dalla portata dei bambini per evitare soffocamento o inalazione e lesioni correlate.
- Si prega di tenere gli imballaggi di plastica lontano dalla portata dei bambini per evitare il rischio di soffocamento durante il gioco.
- Si prega di indossare guanti durante il montaggio/smontaggio per evitare tagli.
- Si prega di montare il prodotto su un'area spaziosa e di non posizionare il prodotto disimballato direttamente a terra per evitare danni.
- Si prega di evitare l'umidità a lungo termine per prevenire muffe e deformazioni.
- Tenere il prodotto lontano da oggetti appuntiti e sostanze corrosive.
- Controllare regolarmente il serraggio delle viti durante l'uso. Stringere nuovamente le viti allentate per garantire l'integrità strutturale.
- A seconda del tipo di mobile e dell'ambiente di utilizzo, considerare l'uso di elementi di fissaggio per fissare il mobile alla parete o ad altri oggetti ed evitare che si ribalti.
- Posizionare il prodotto su una superficie piana e solida durante l'uso.

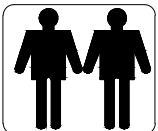
# ! IMPORTANT

Please follow the instruction manuals and use a pad to protect the product during your assembly.

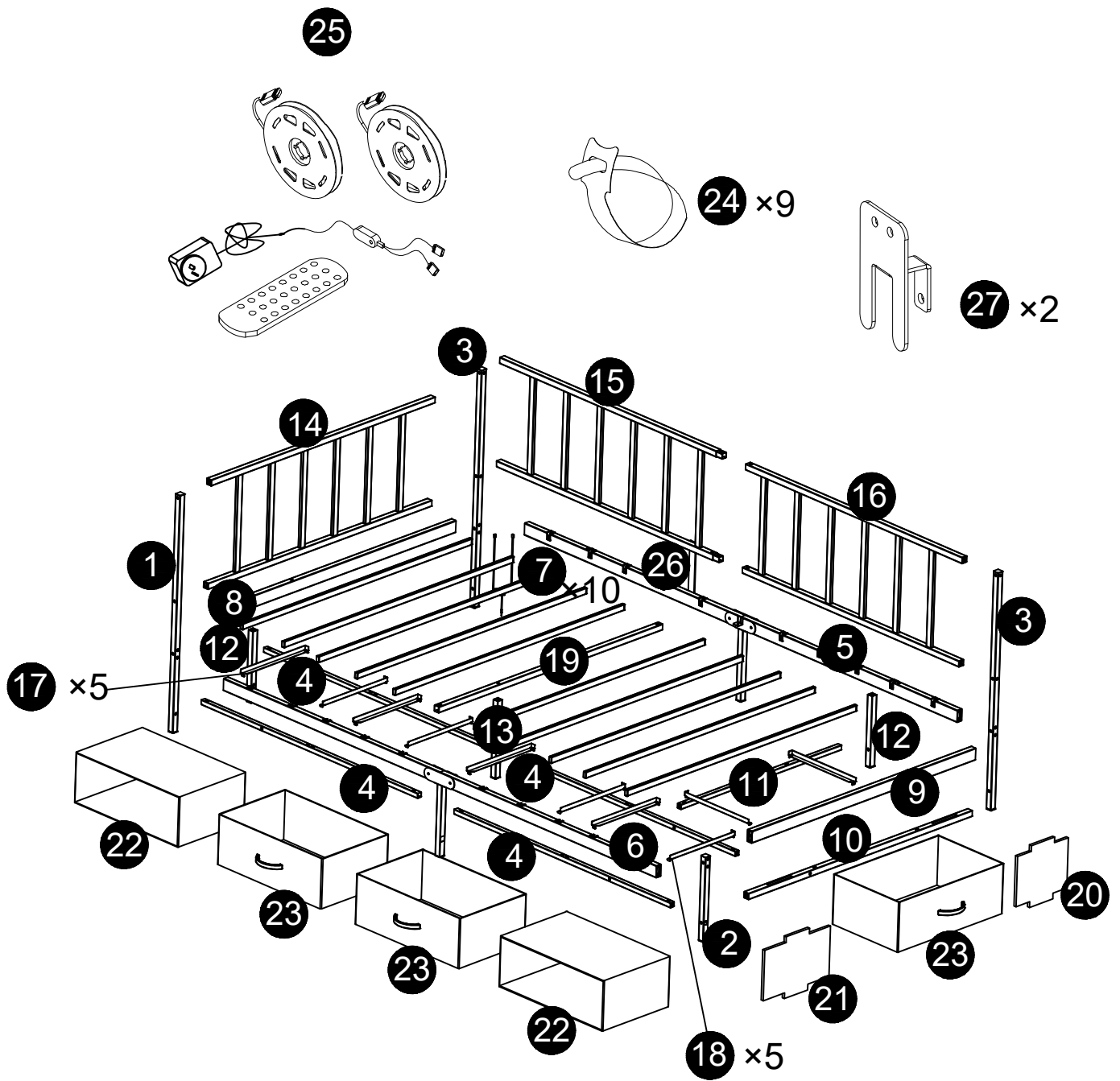


## Note:

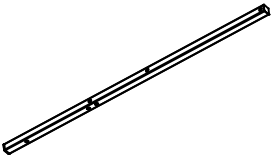
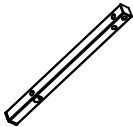
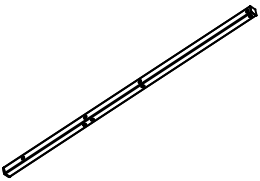
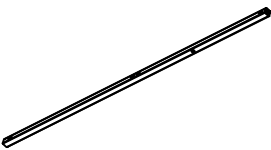
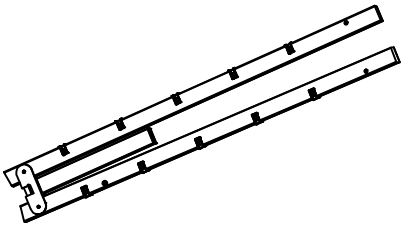
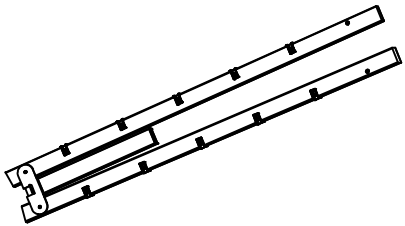

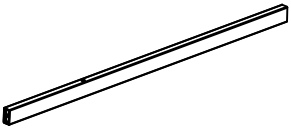
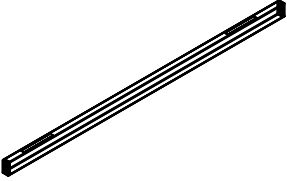


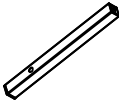

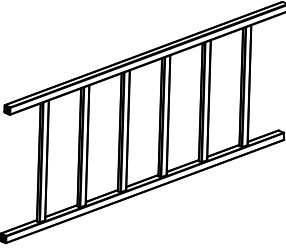
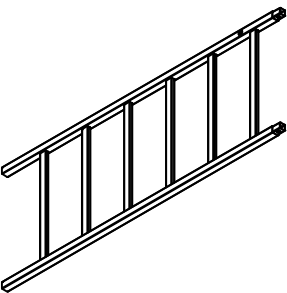
1. Should be assembled on flat ground to keep balance.
2. Before completing the installation, do not tighten the screws.



For easier and better assembly, 2 or more adults are required.



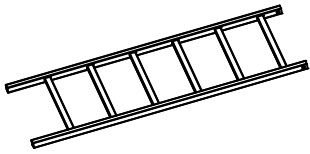
# Part list

<b>1</b>  1PC	<b>2</b>  1PC	<b>3</b>  2PCS
<b>4</b>  4PCS	<b>5</b>  1PC	<b>6</b>  1PC
<b>7</b>  10PCS	<b>8</b>  1PC	<b>9</b>  1PC
<b>10</b>  1PC	<b>11</b>  1PC	<b>12</b>  2PCS
<b>13</b>  1PC	<b>14</b>  1PC	<b>15</b>  1PC

# Part list

16

1PC



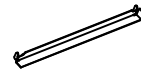
17

5PCS



18

5PCS



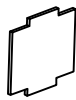
19

1PC



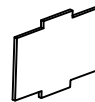
20

1PC



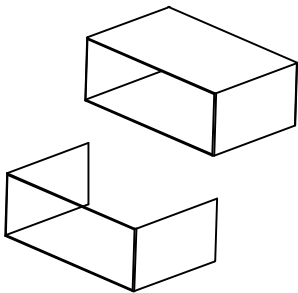
21

1PC



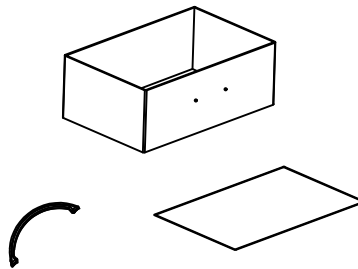
22

2PCS



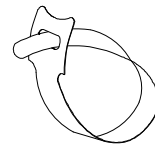
23

3PCS



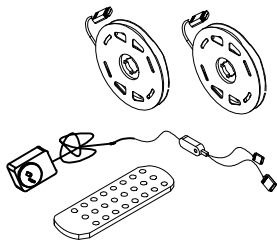
24

9PCS



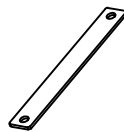
25

1PC



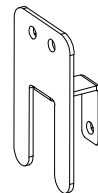
26

1PC






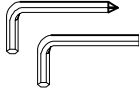
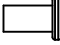
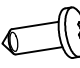


27

2PCS



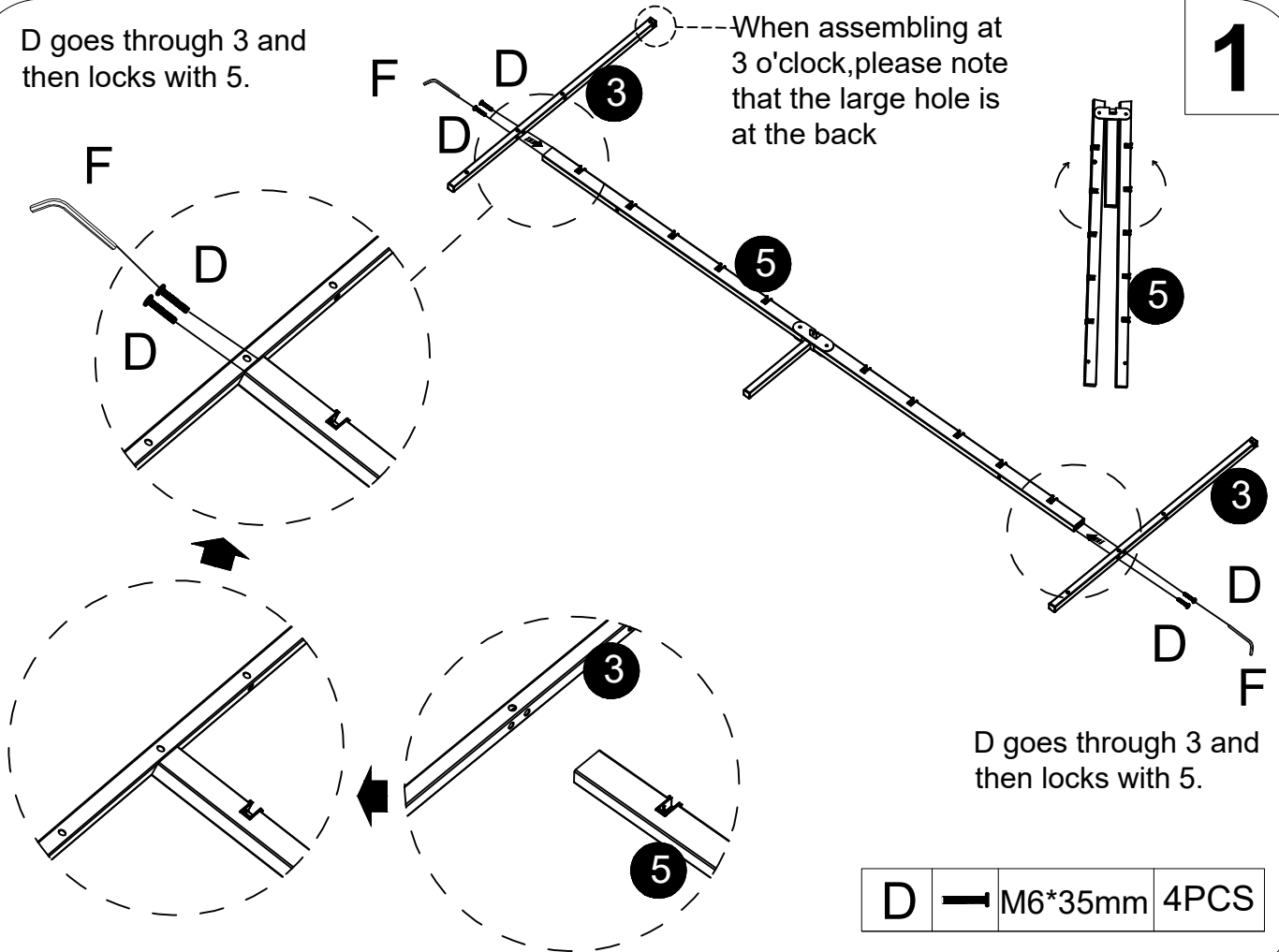
# Hardware list

A	 M6*10mm	×1 +1	B	 M6*15mm	×4 +1	C	 M6*30mm	×7 +1
D	 M6*35mm	×23 +2	E	 M6*55mm	×2 +1	F	 4# Spanner	×2
G	 M6*15mm	×2 +1	H	 ST4.2*12mm	×6 +1			

1

D goes through 3 and then locks with 5.

When assembling at 3 o'clock, please note that the large hole is at the back



D	→	M6*35mm	4PCS
---	---	---------	------

2

D goes through 2 and then locks with 6.

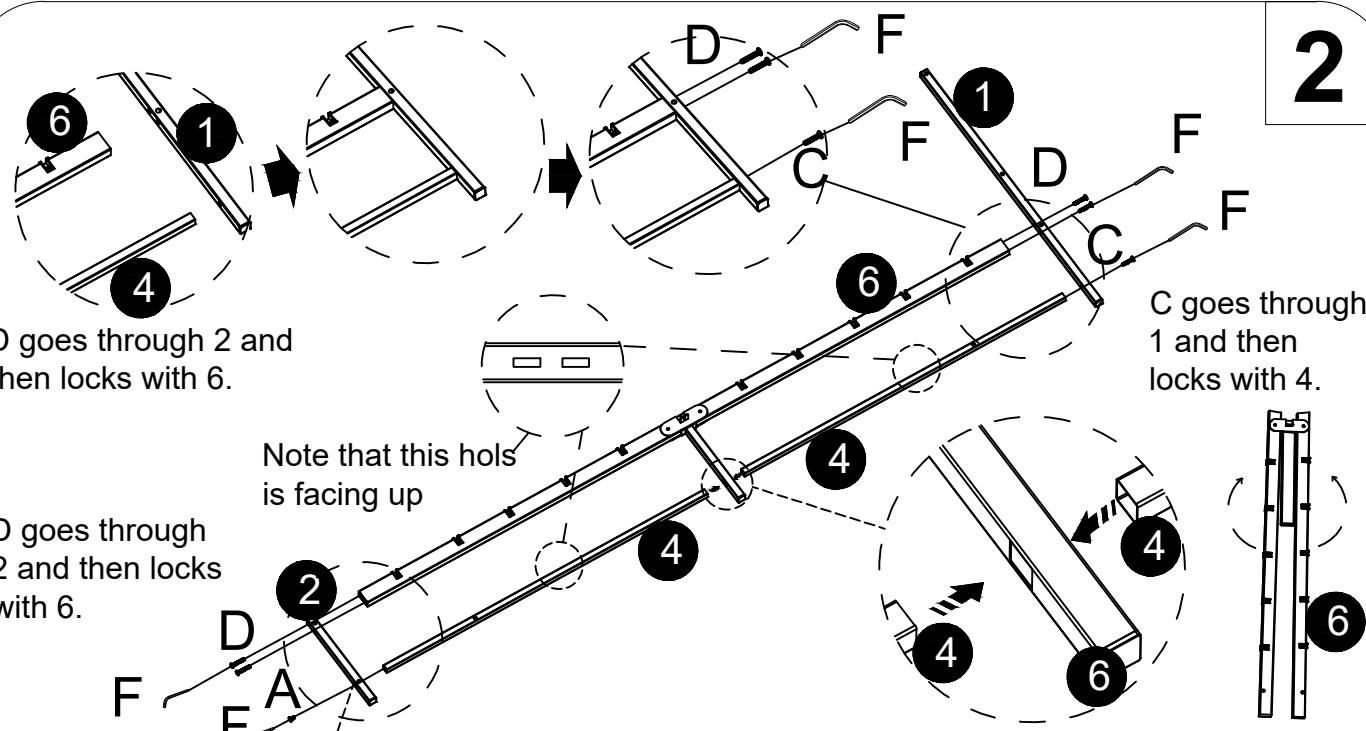
C goes through 1 and then locks with 4.

Note that this hole is facing up

D goes through 2 and then locks with 6.

A goes through 2 and then locks with 4.

When assembling at 2 o'clock, please note that the large hole is on the outside

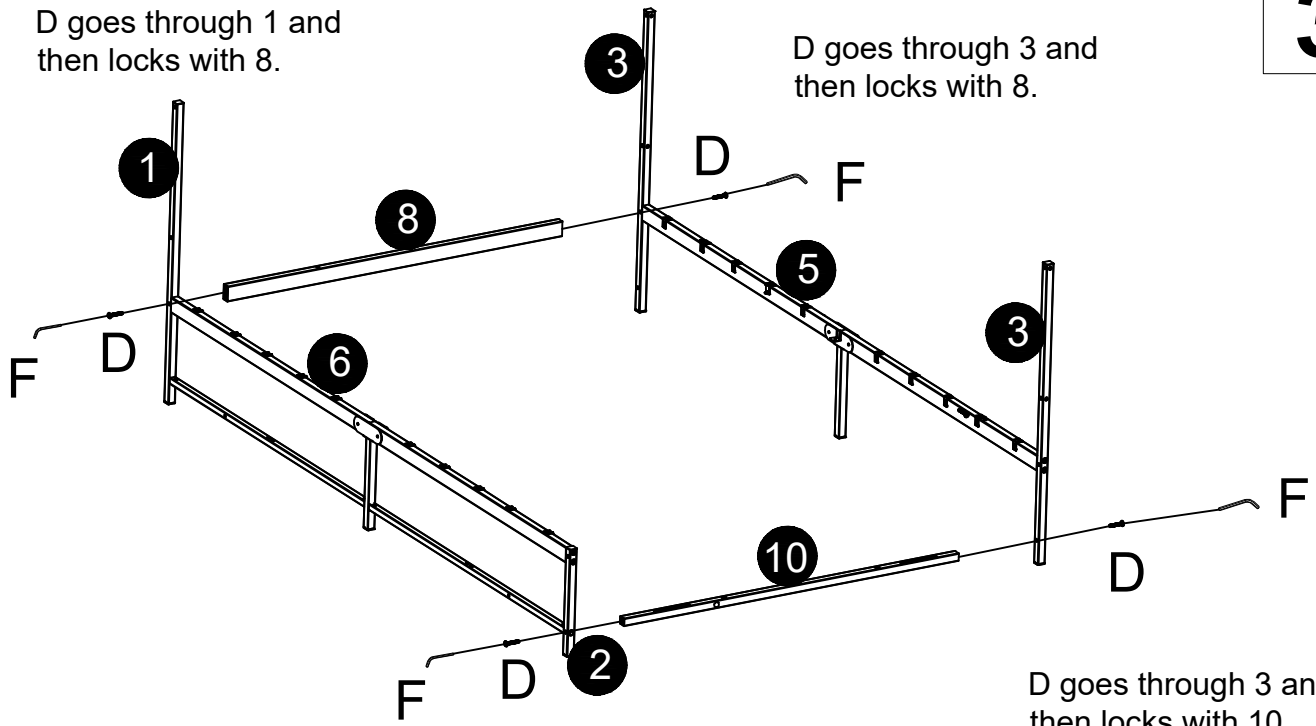


C	→	M6*30mm	1PC
D	→	M6*35mm	4PCS
A	→	M6*10mm	1PC

3

D goes through 1 and then locks with 8.

D goes through 3 and then locks with 8.

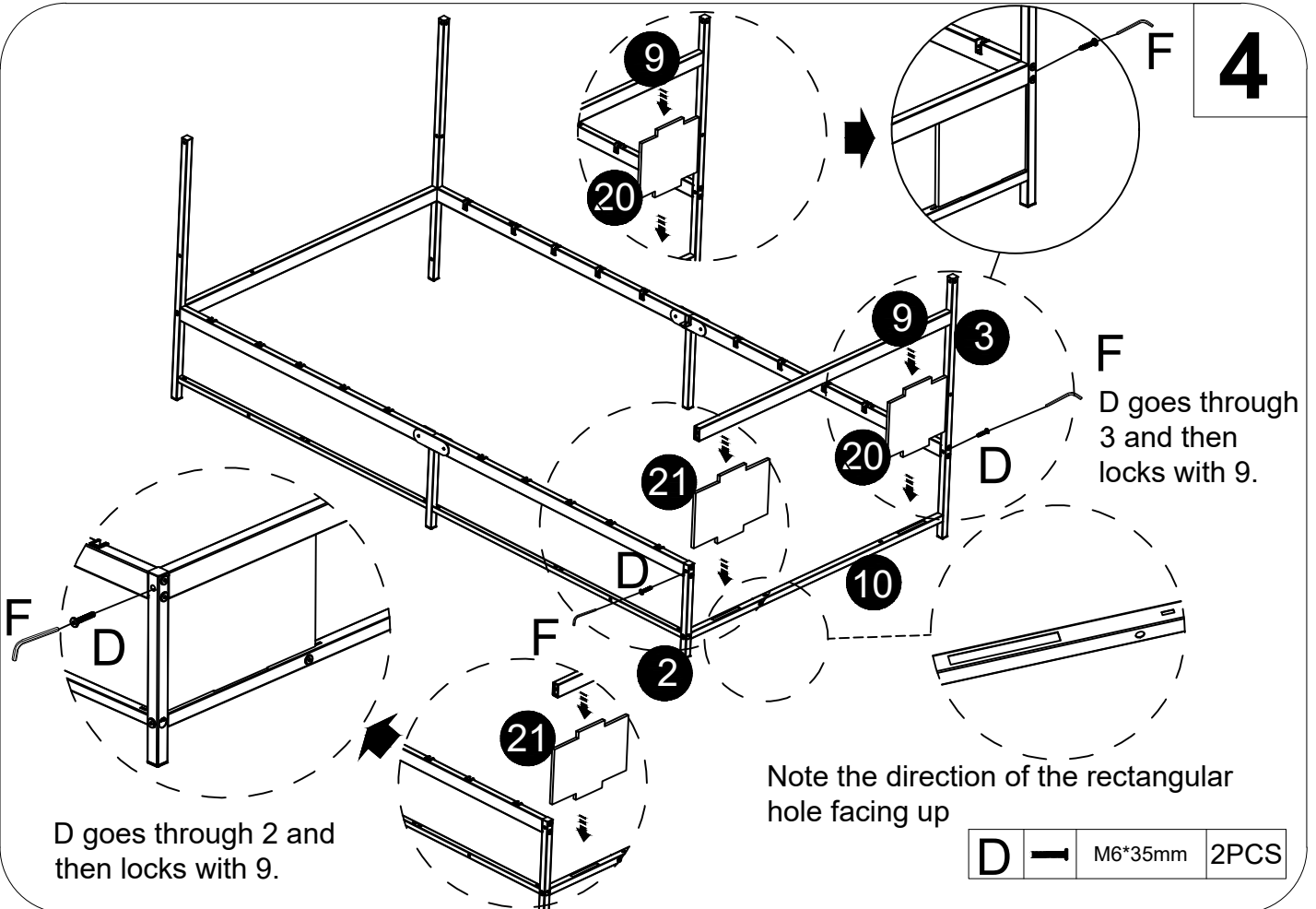


D goes through 3 and then locks with 10.

D goes through 2 and then locks with 10.

D	→	M6*35mm	4PCS
---	---	---------	------

4



D goes through 3 and then locks with 9.

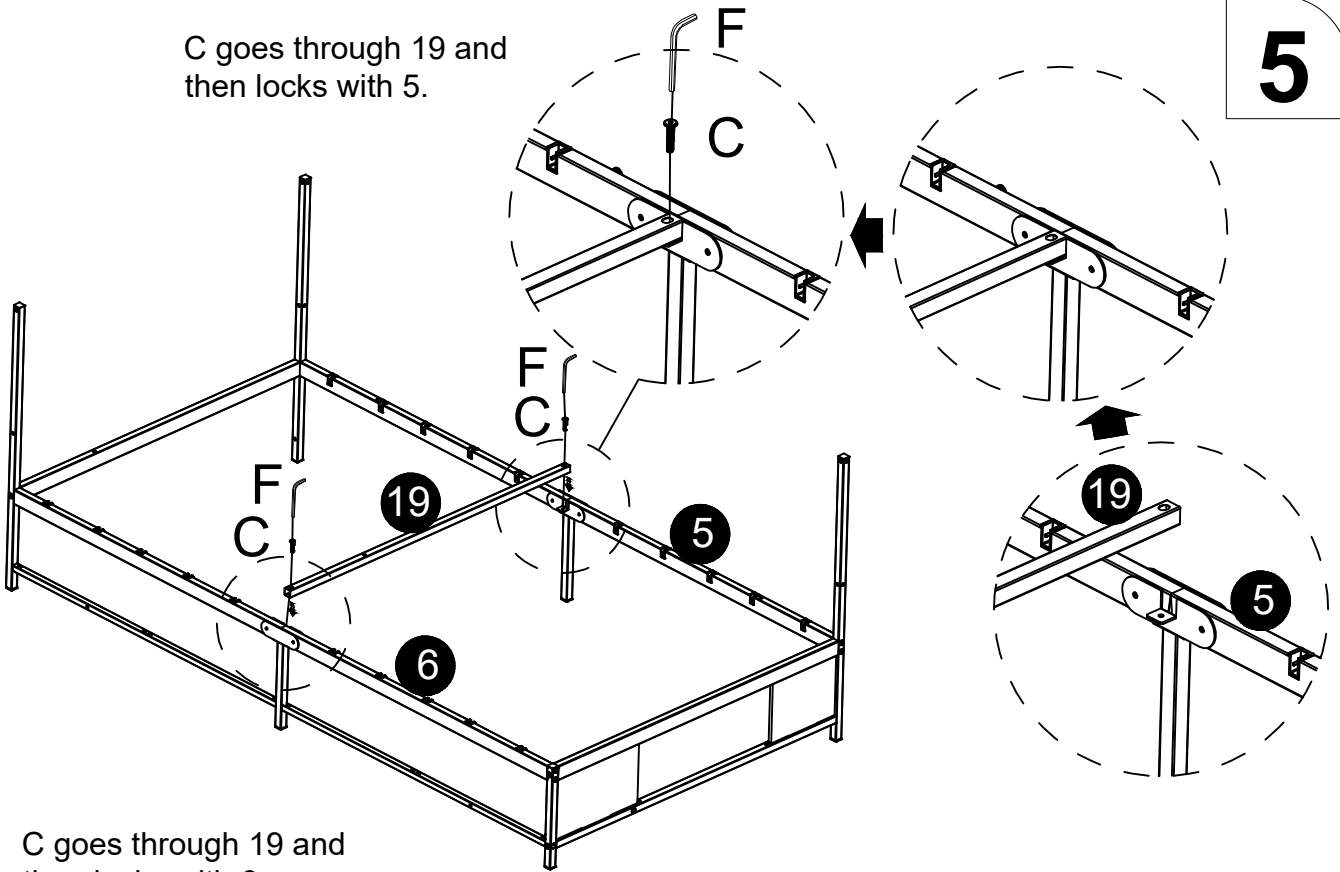
D goes through 2 and then locks with 9.

Note the direction of the rectangular hole facing up

D	→	M6*35mm	2PCS
---	---	---------	------

5

C goes through 19 and then locks with 5.

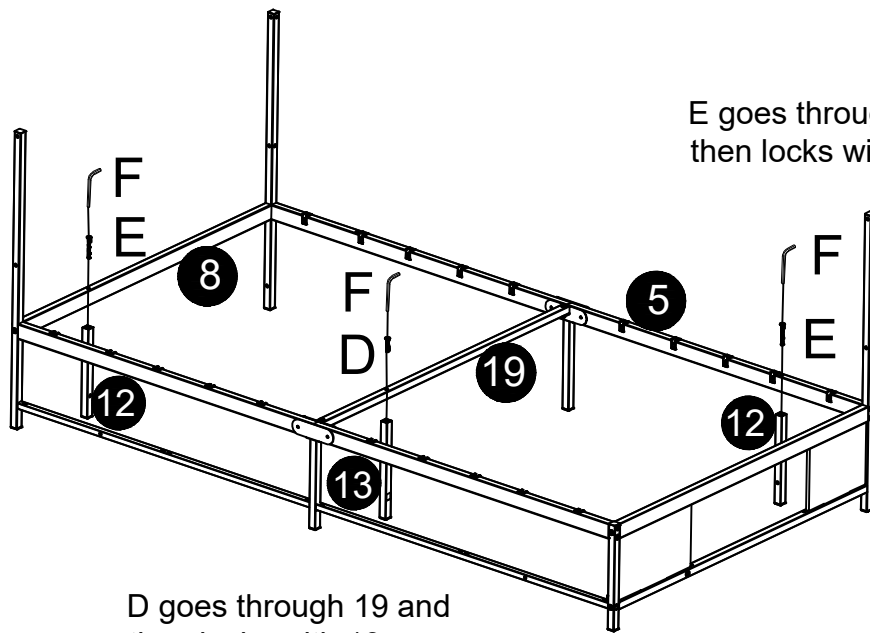


C goes through 19 and then locks with 6.

C	→	M6*30mm	2PCS
---	---	---------	------

6

E goes through 5 and then locks with 12.



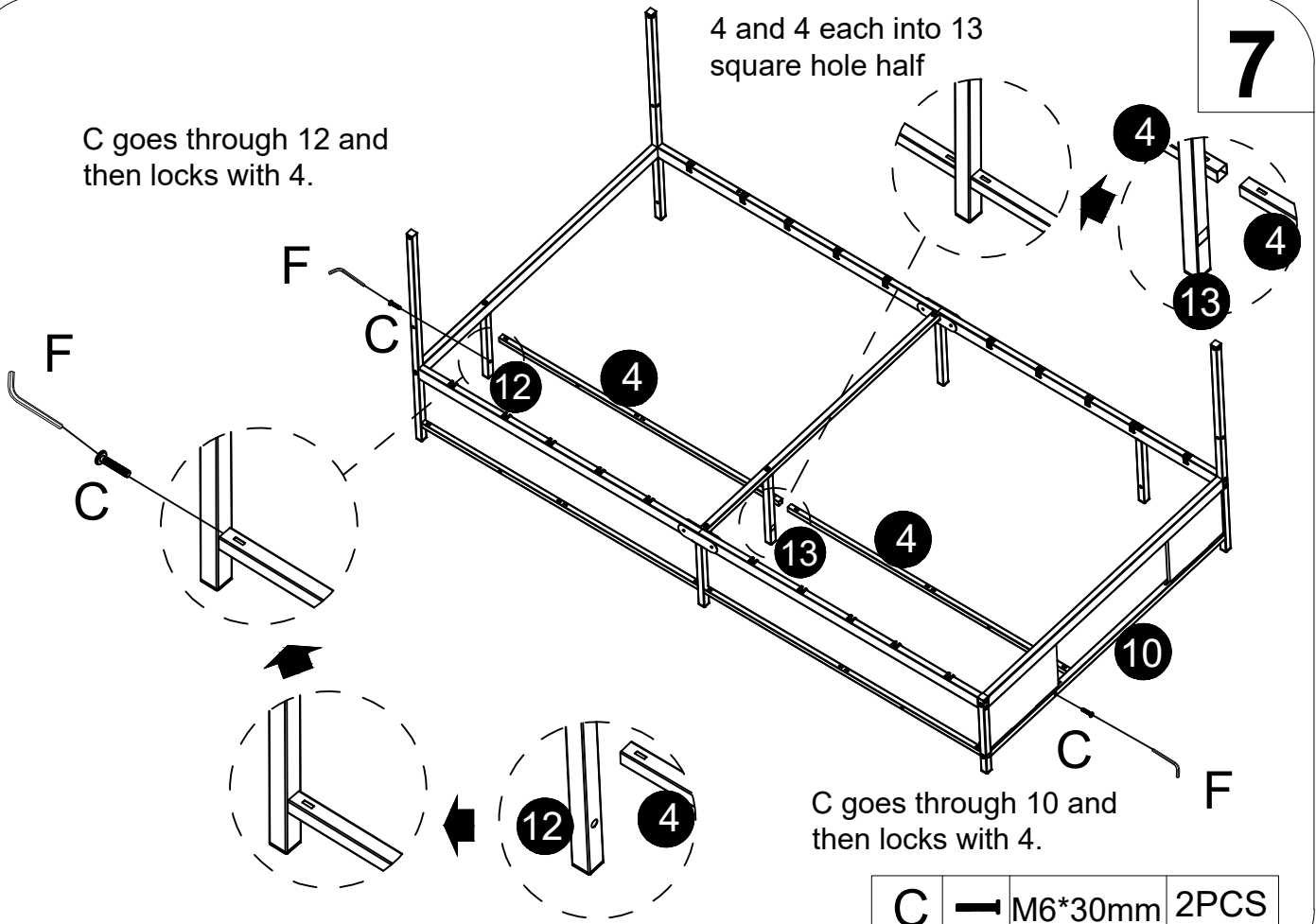
D goes through 19 and then locks with 13.

E	→	M6*55mm	2PCS
D	→	M6*35mm	1PC

7

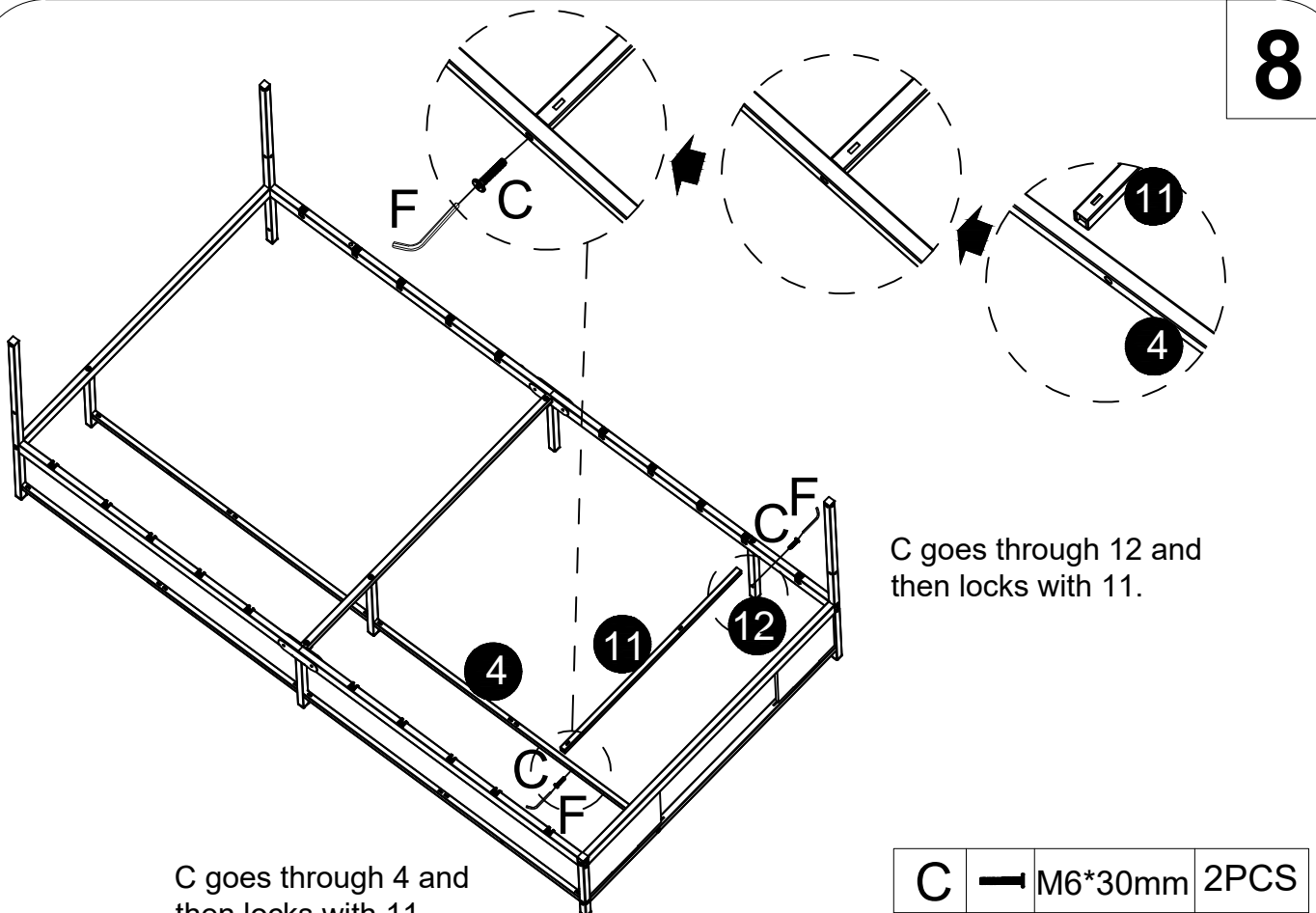
4 and 4 each into 13 square hole half

C goes through 12 and then locks with 4.

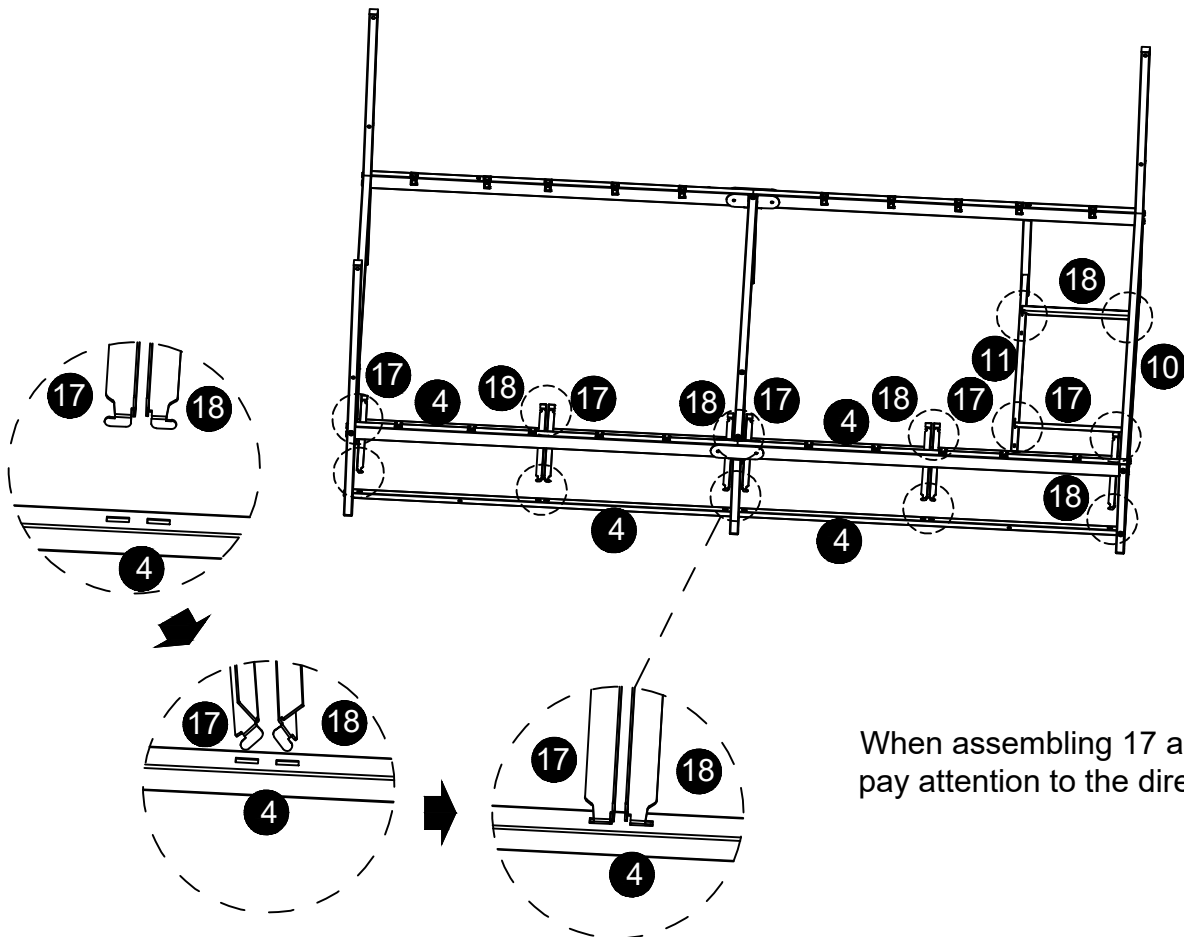


8

C goes through 12 and then locks with 11.



9

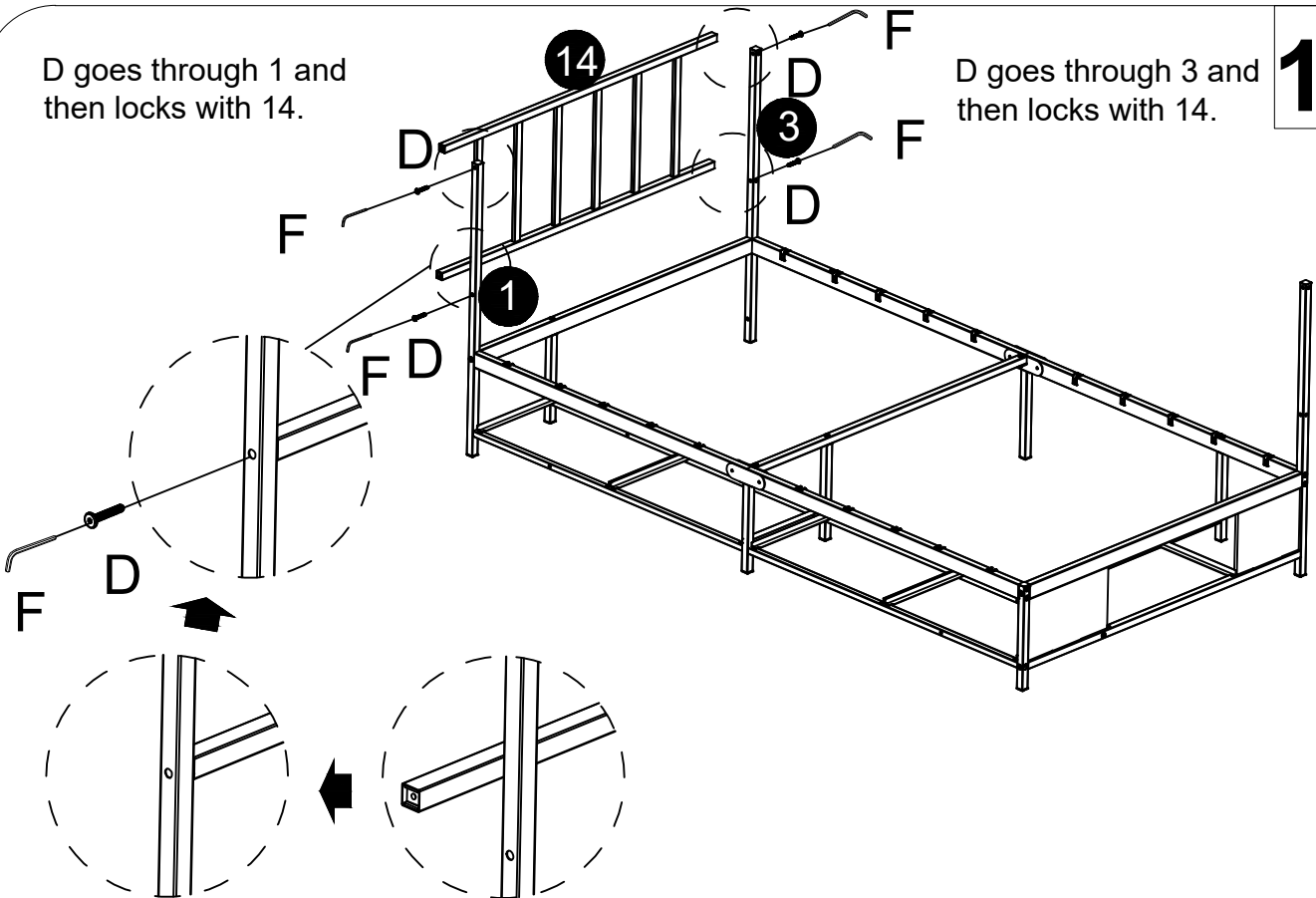


When assembling 17 and 18, pay attention to the direction.

10

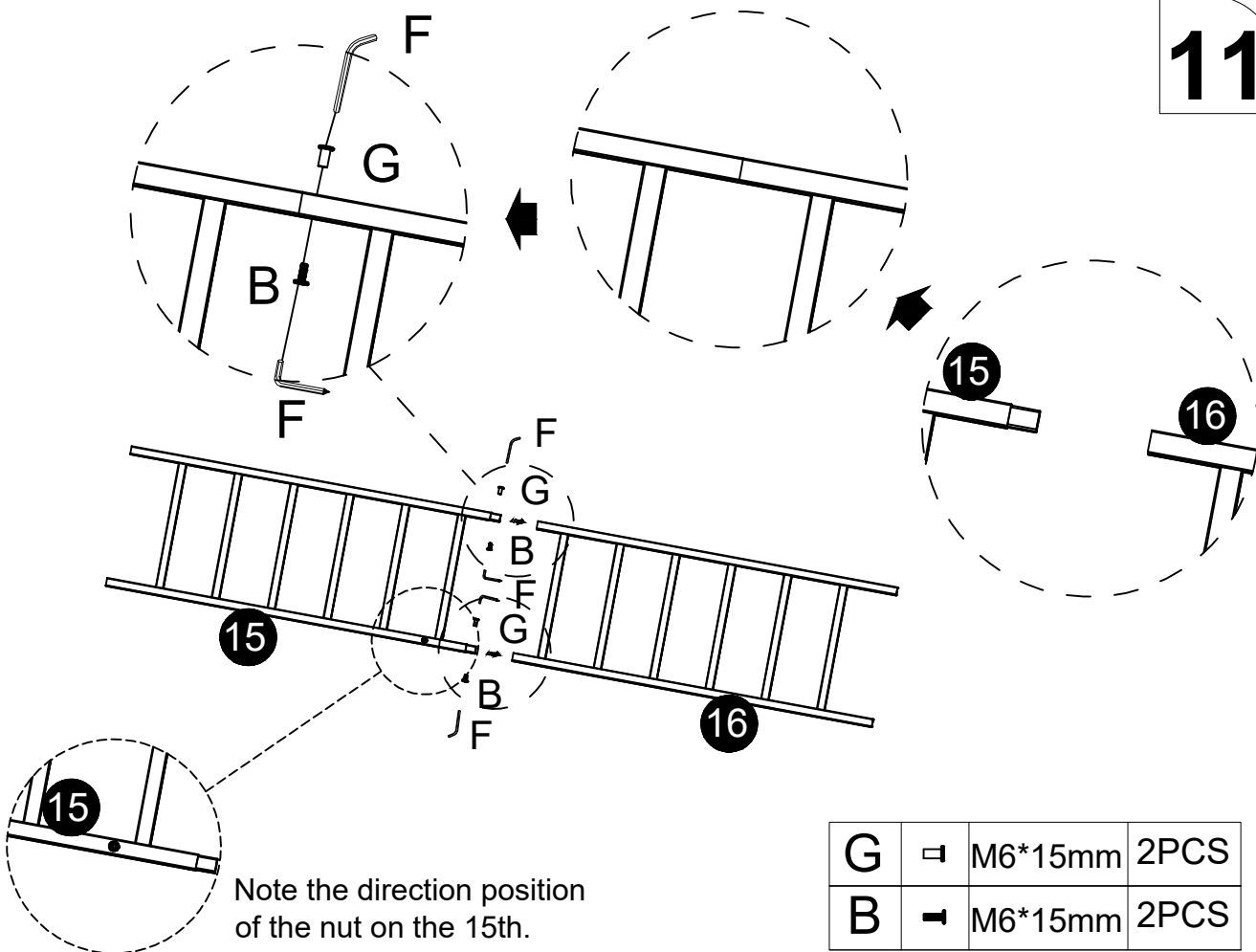
D goes through 1 and then locks with 14.

D goes through 3 and then locks with 14.



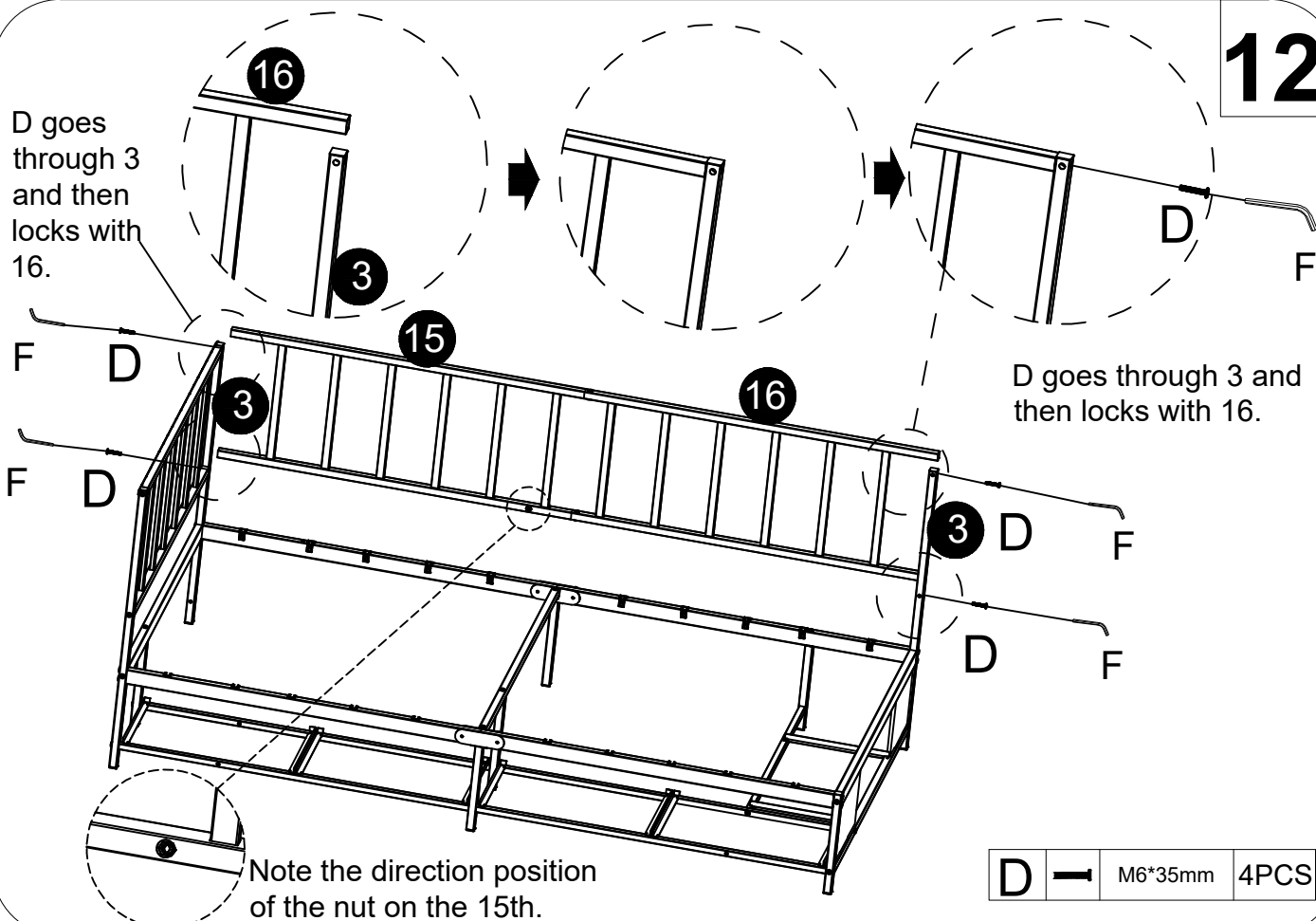
D	→	M6*35mm	4PCS
---	---	---------	------

# 11



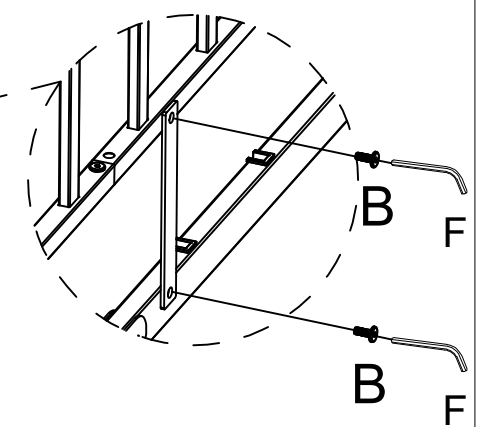
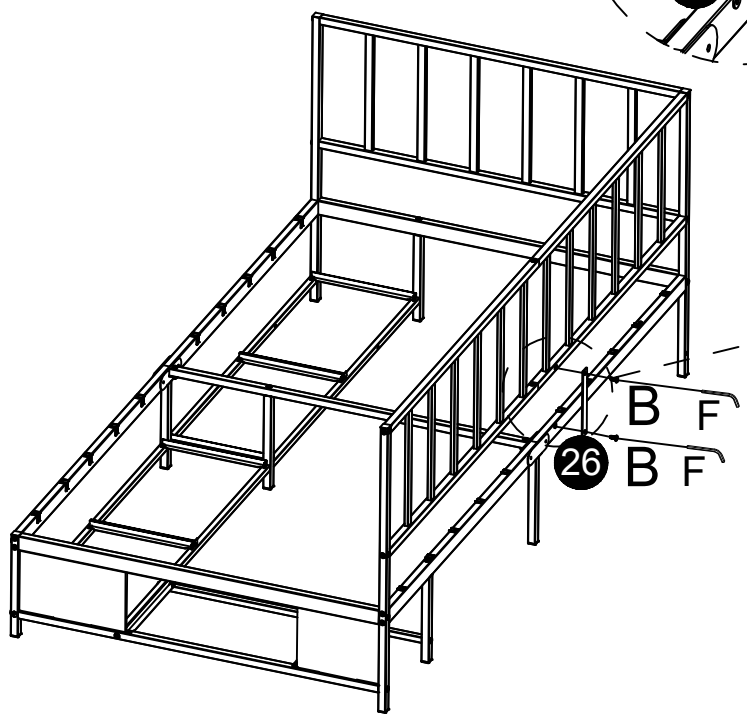
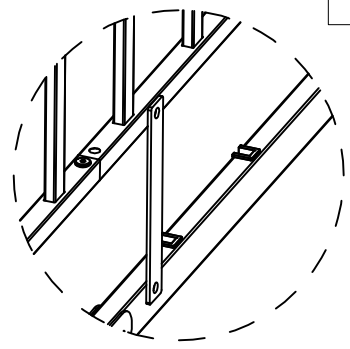
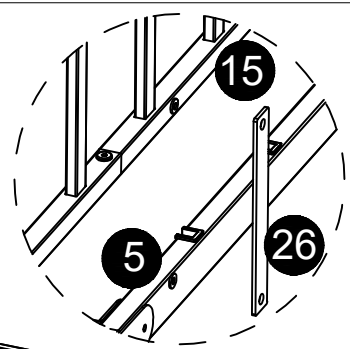
G	☐	M6*15mm	2PCS
B	☐	M6*15mm	2PCS

# 12



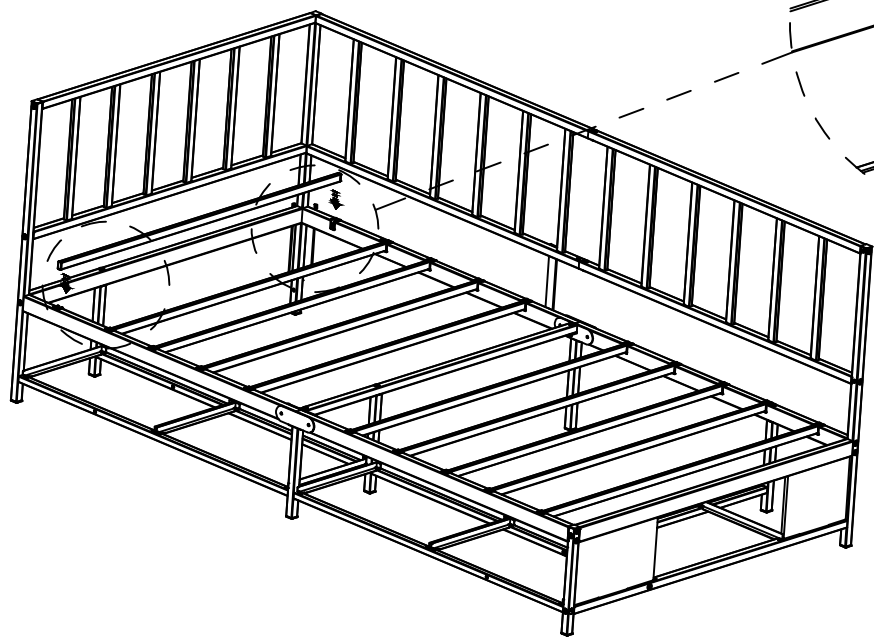
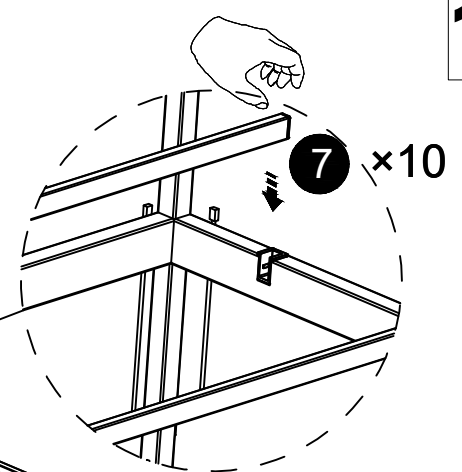
D	☐	M6*35mm	4PCS
---	---	---------	------

13

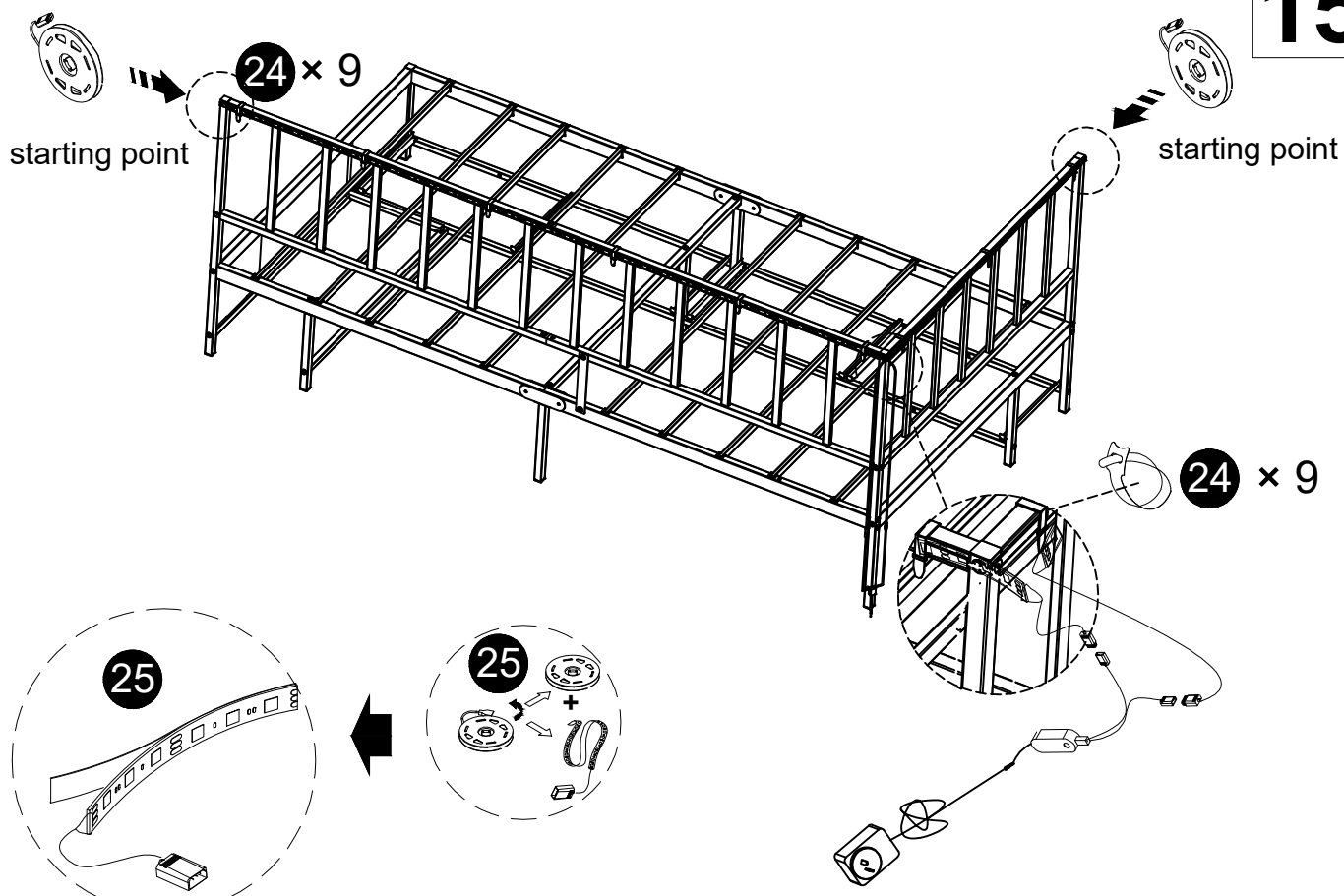


B → M6\*15mm 2PCS

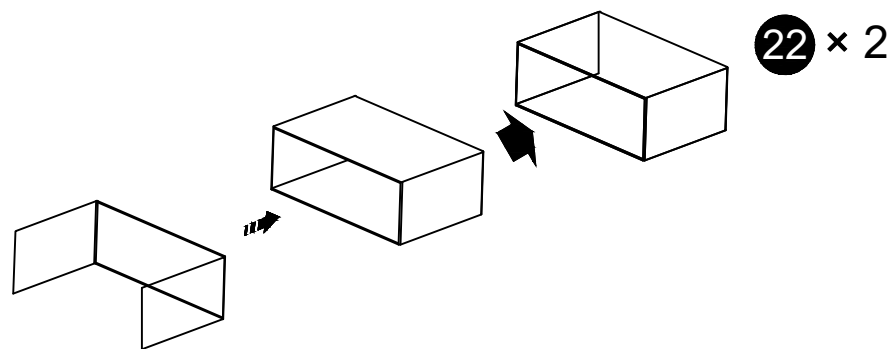
14



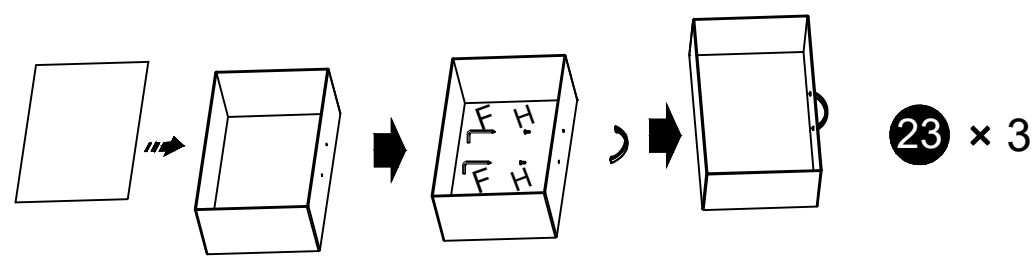
15



16



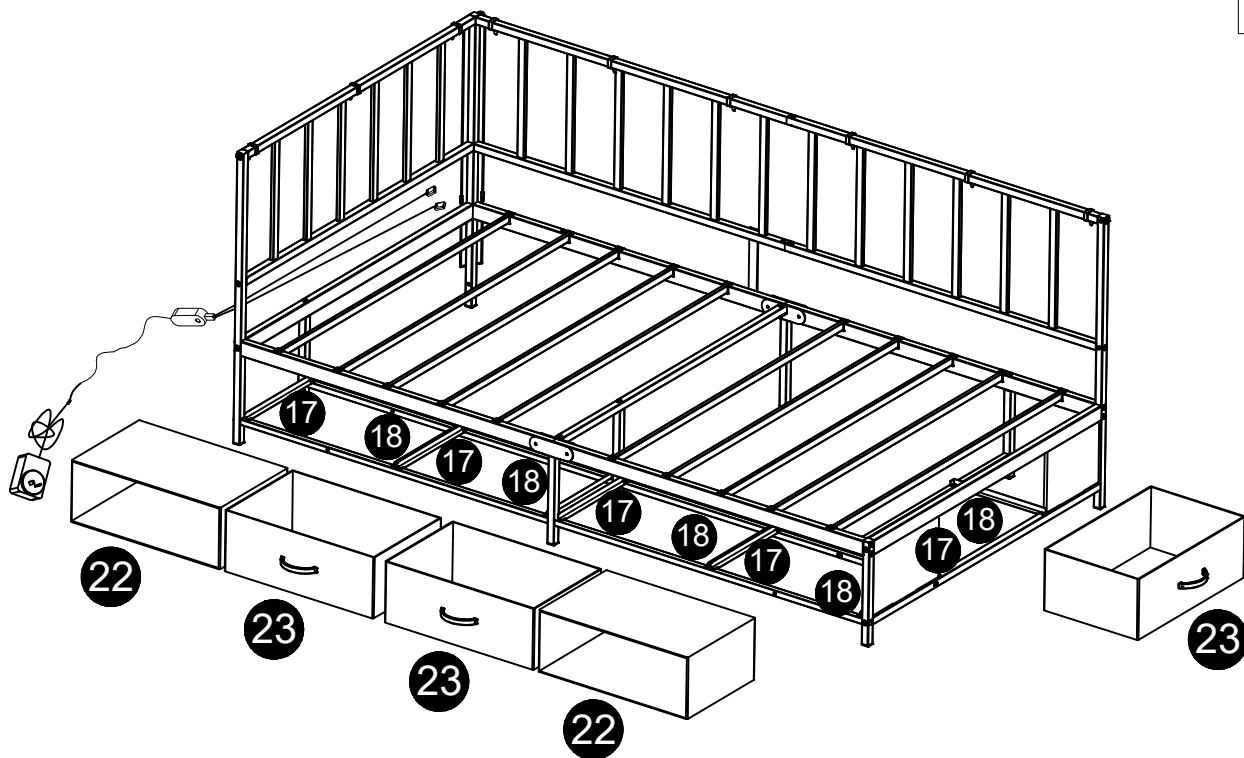
Put the inner box into the outer box



Insert the inner pad into the bottom layer of the spread.

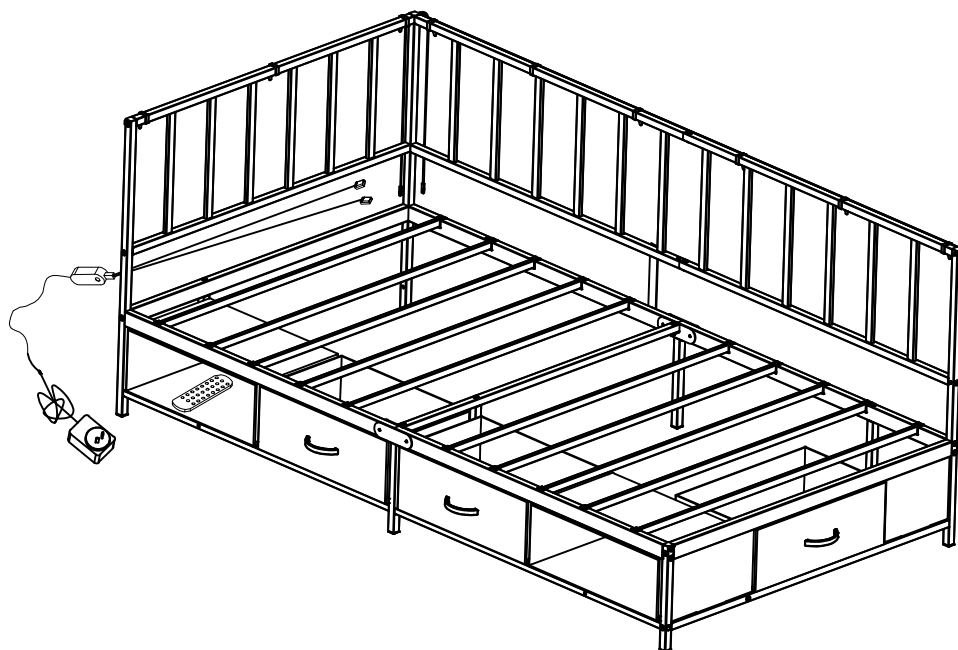
H	☐	ST4.2*12mm	6PCS
---	---	------------	------

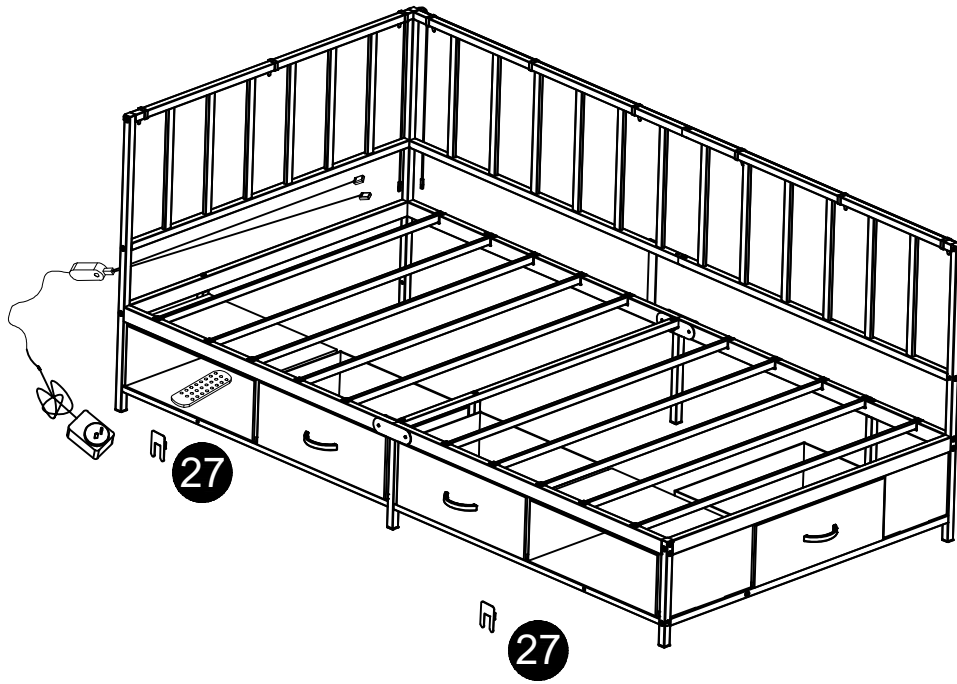
17



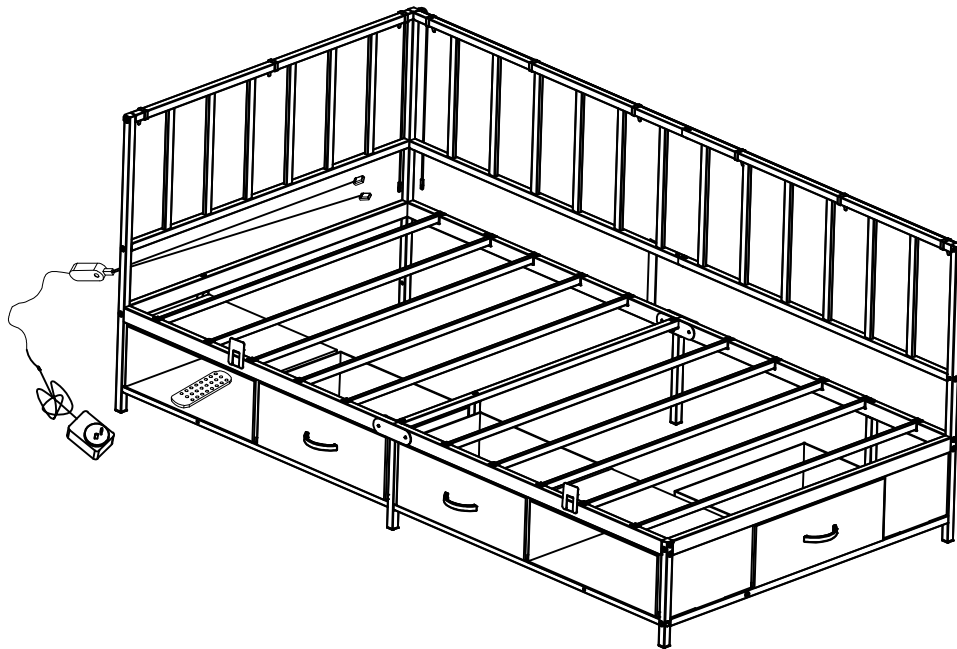
Put 22 and 23 into 17 and 18 respectively ,and it's finne as it's in place at the back.

18

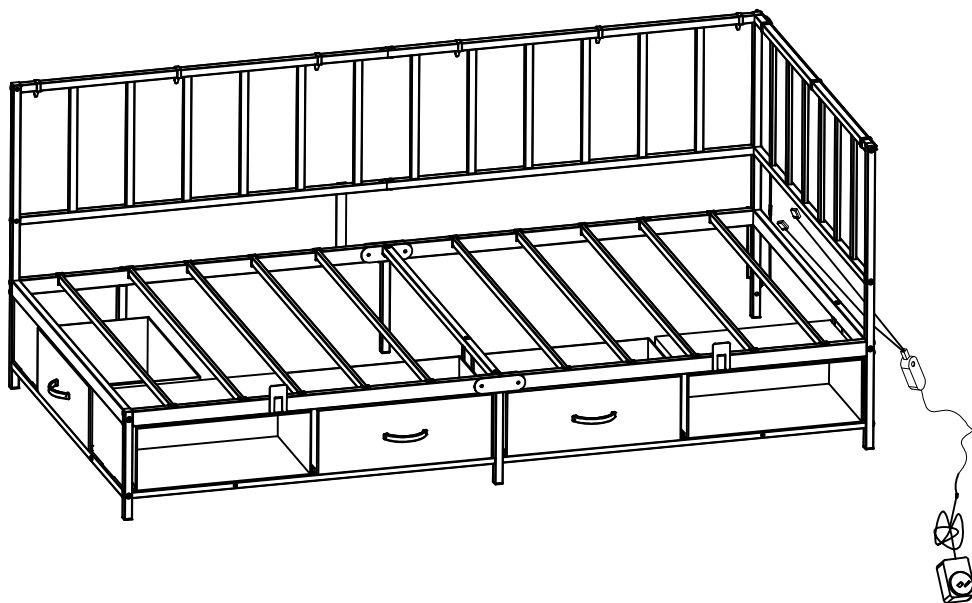




Assemble 27



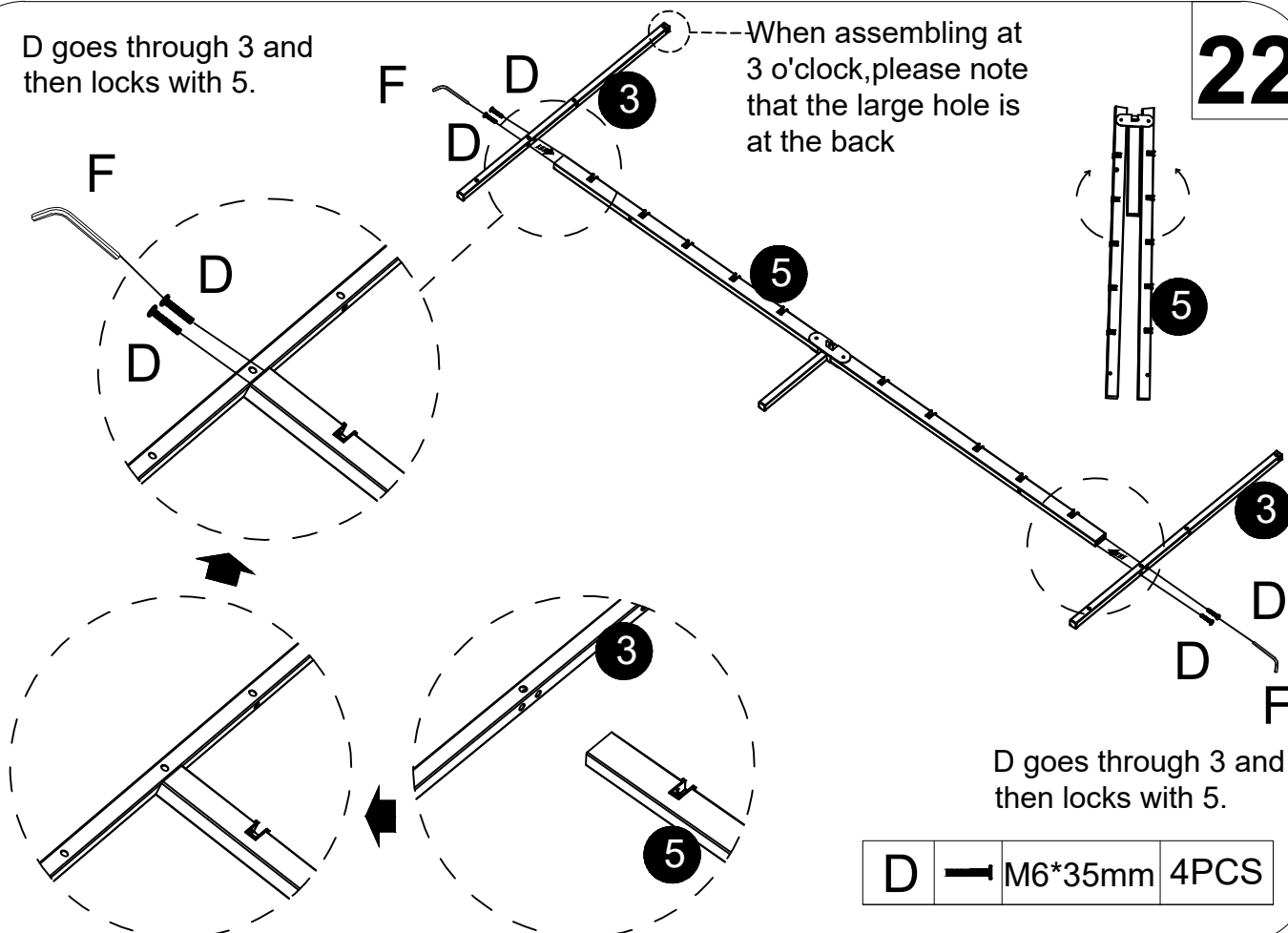
Assembled, tighten all the screws



This step begins the installation steps for style two.

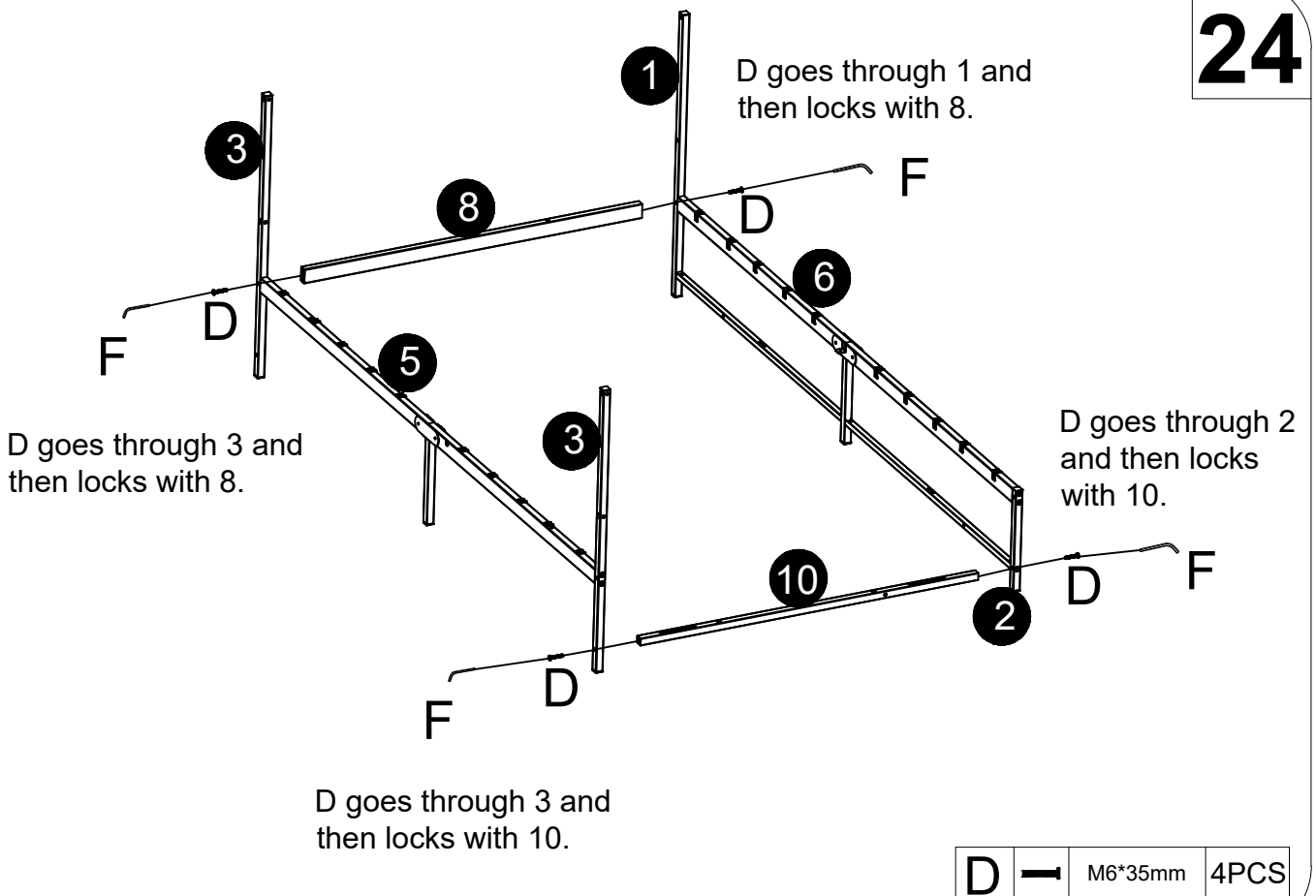
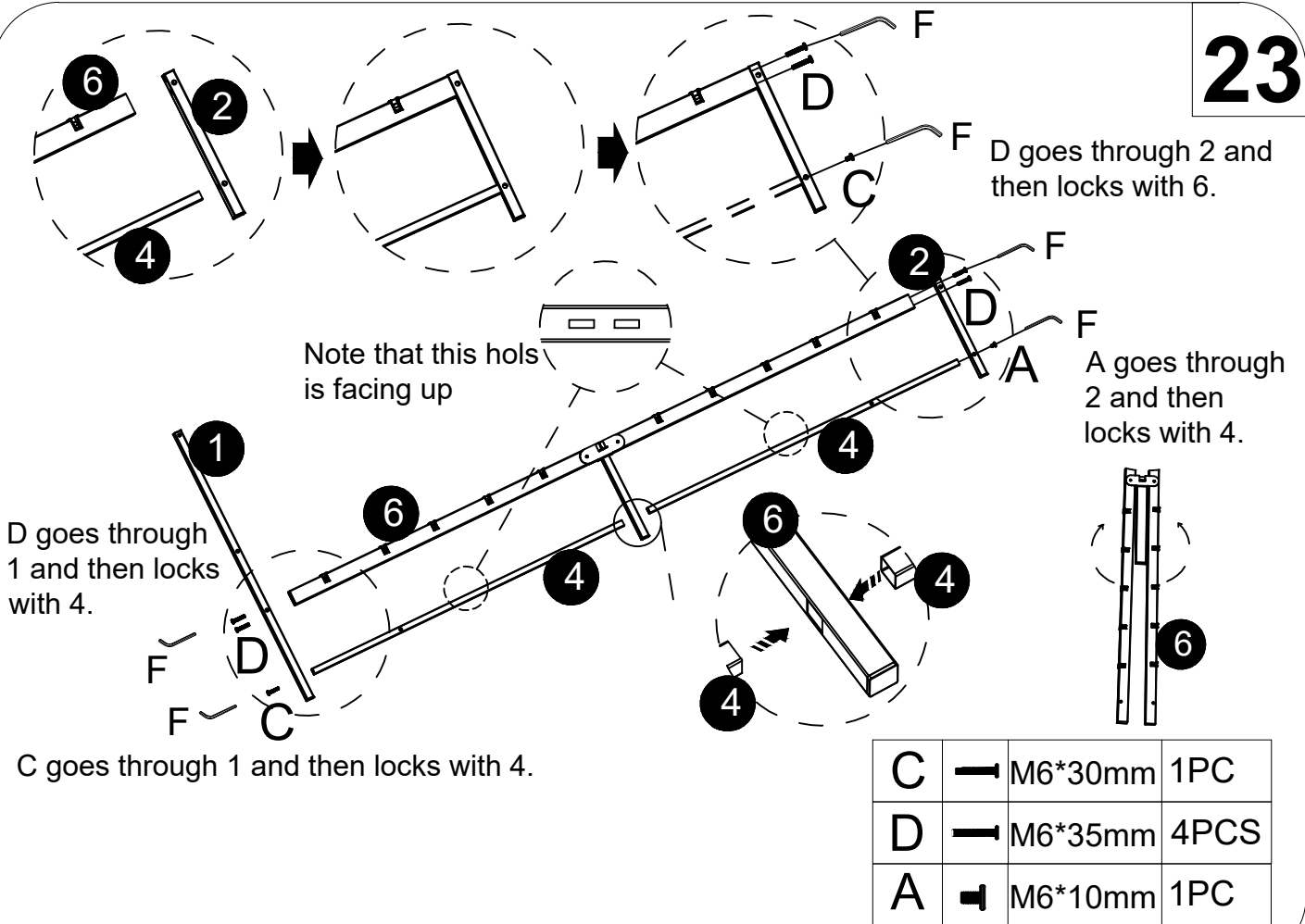
D goes through 3 and then locks with 5.

When assembling at 3 o'clock, please note that the large hole is at the back

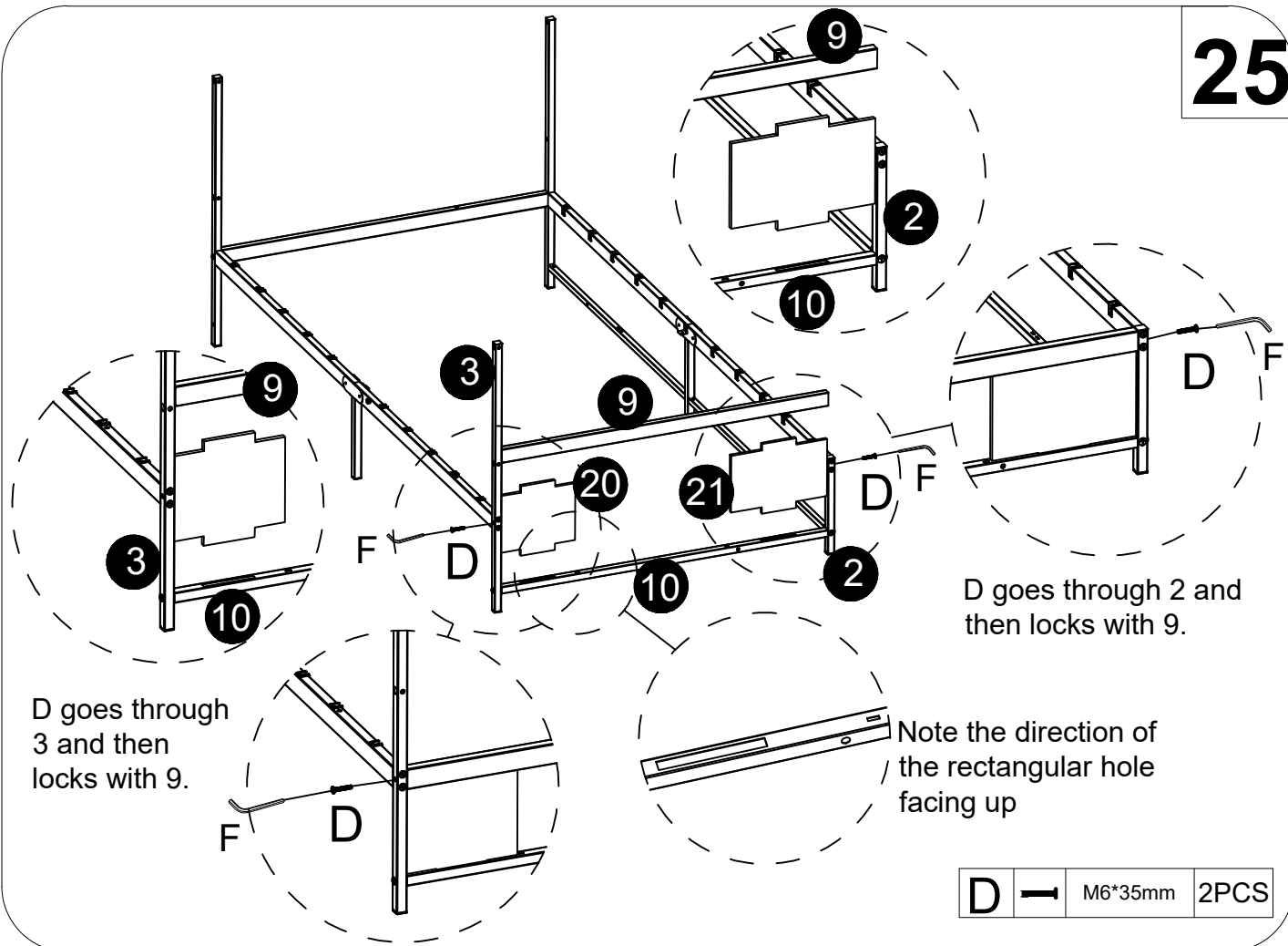


D goes through 3 and then locks with 5.

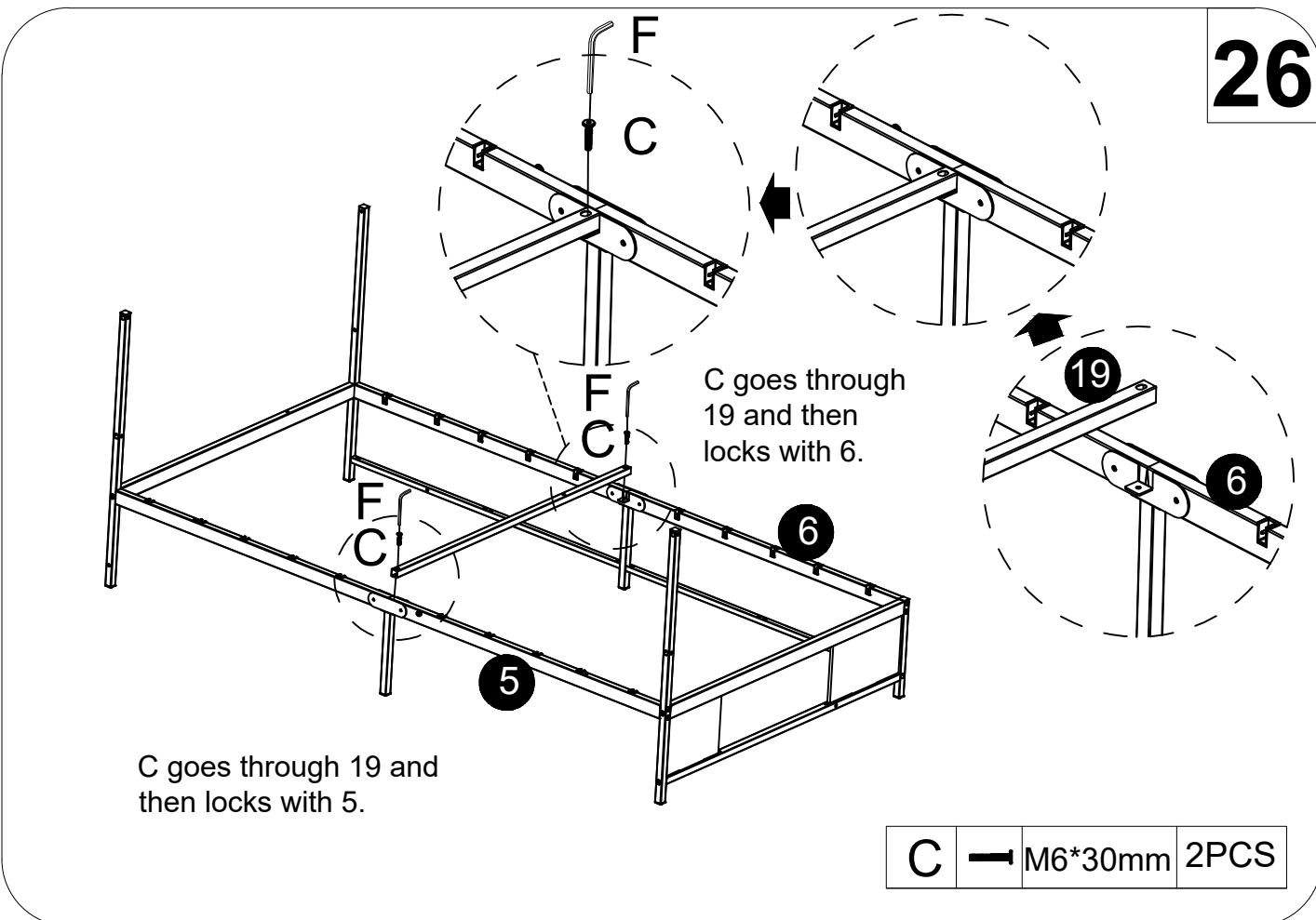
D — M6\*35mm 4PCS



25

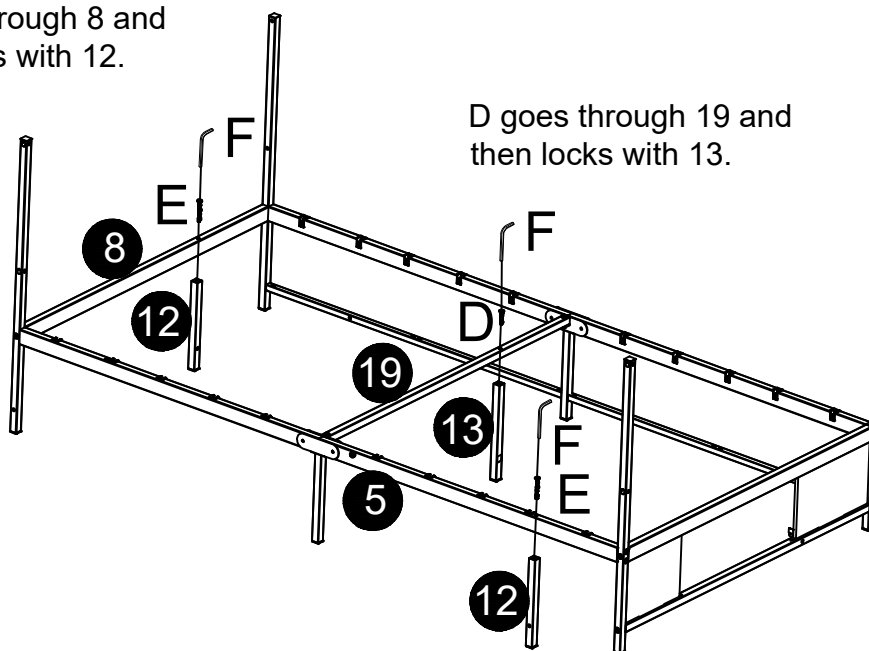


26



E goes through 8 and then locks with 12.

D goes through 19 and then locks with 13.

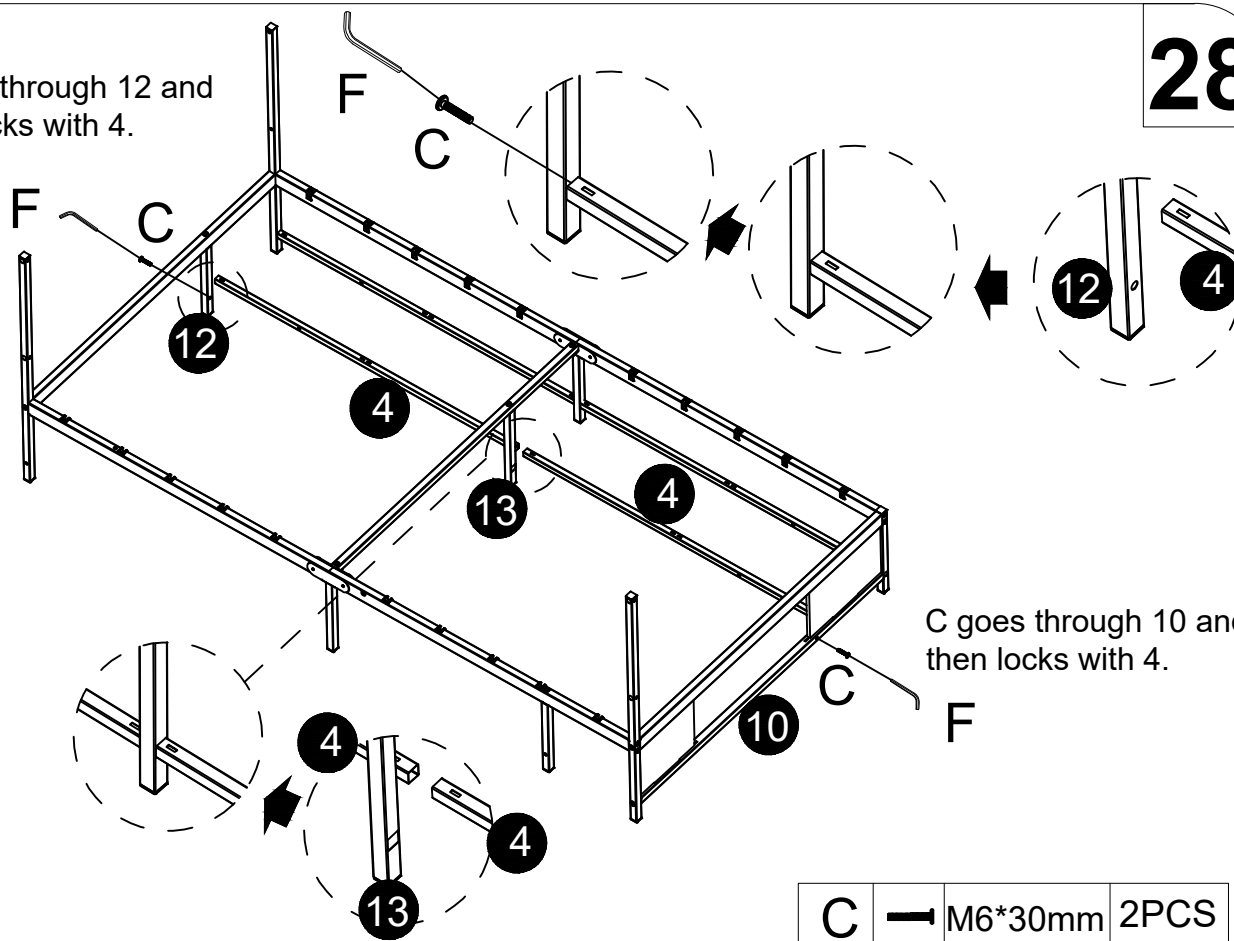


E goes through 5 and then locks with 12.

E	→	M6*55mm	2PCS
D	→	M6*35mm	1PC

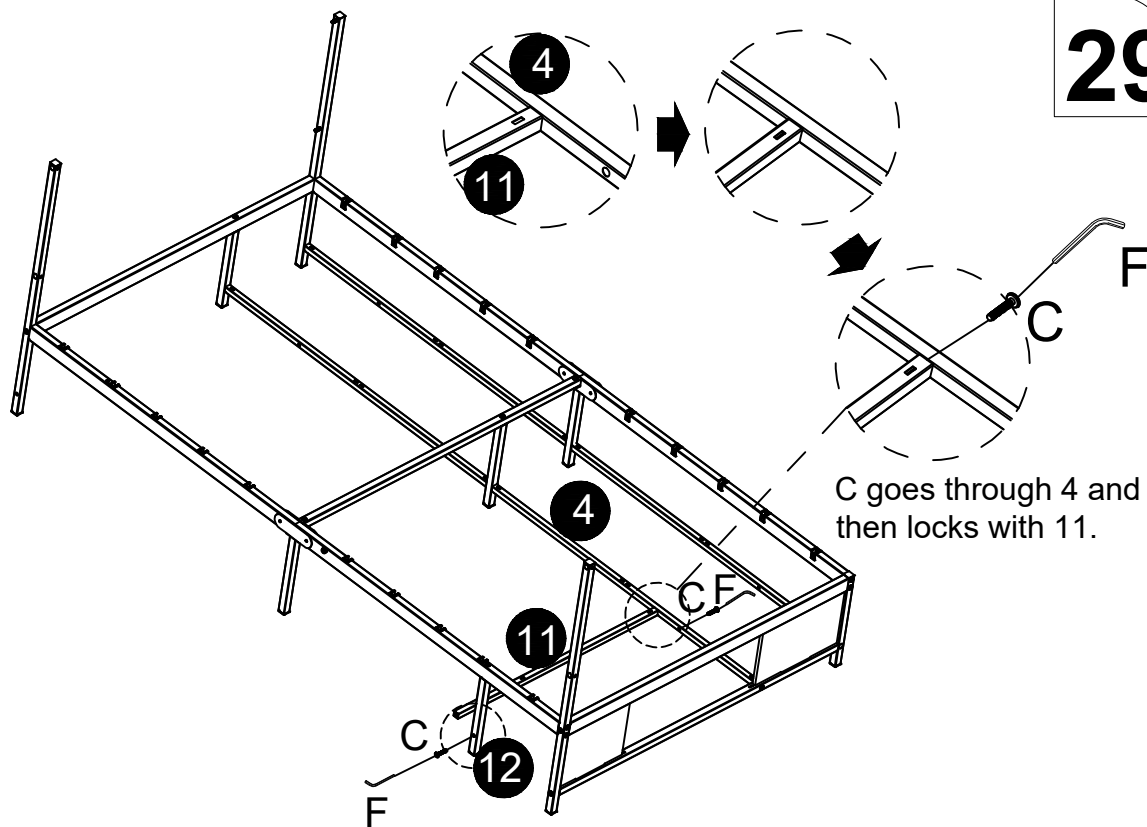
C goes through 12 and then locks with 4.

C goes through 10 and then locks with 4.



C	→	M6*30mm	2PCS
---	---	---------	------

29

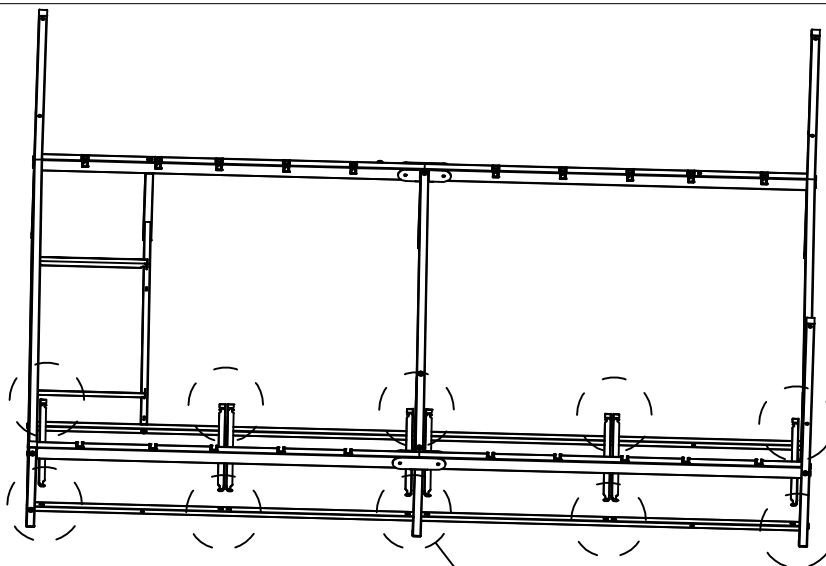


C goes through 4 and then locks with 11.

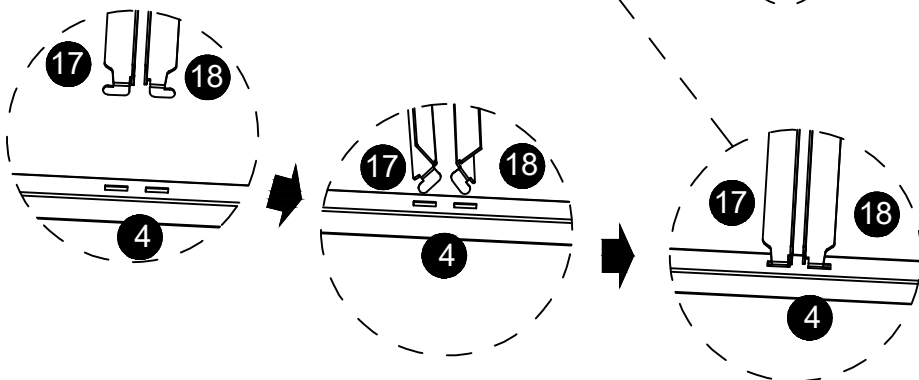
C goes through 12 and then locks with 11.

C	→	M6*30mm	2PCS
---	---	---------	------

30

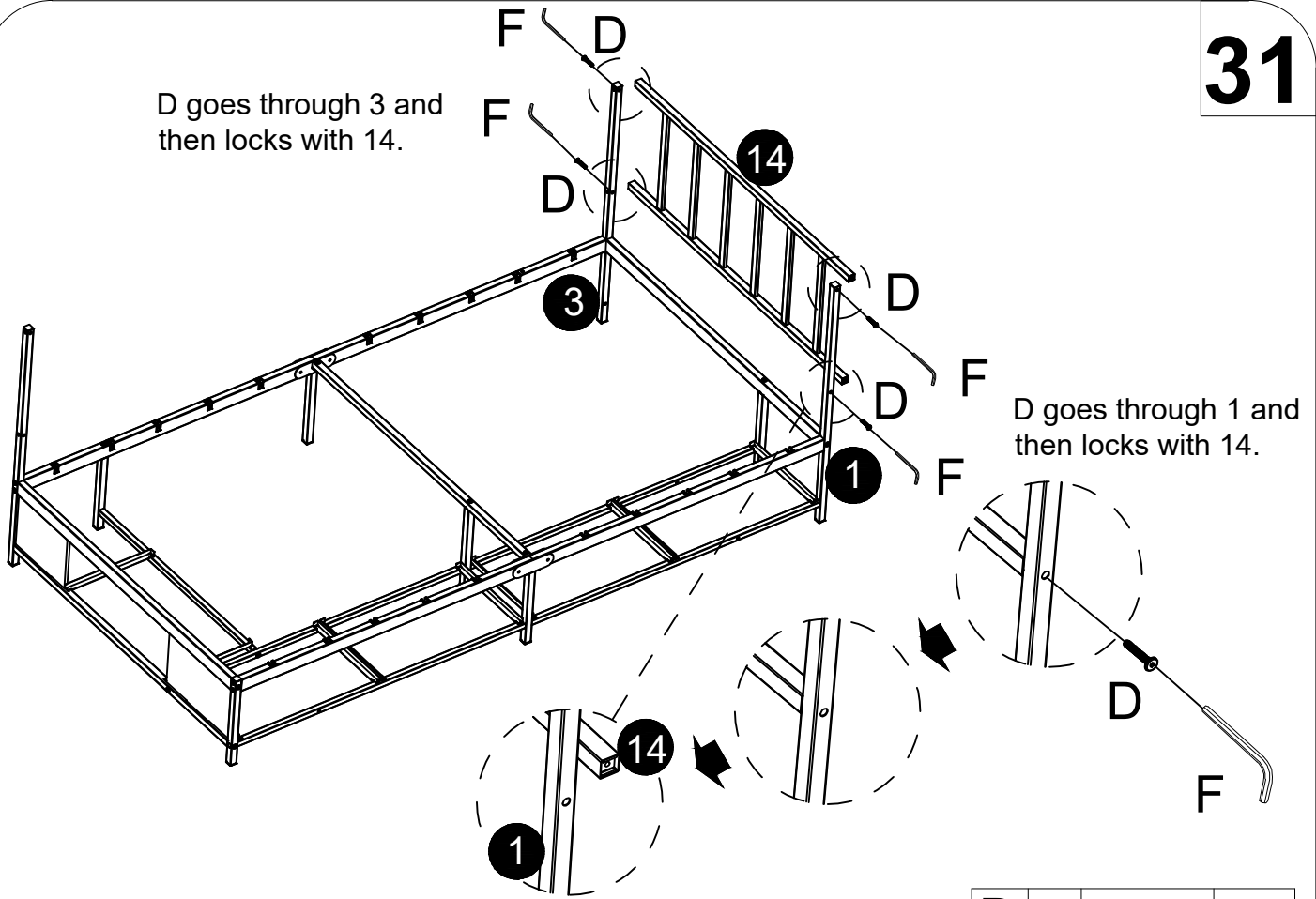


When assembling 17 and 18, pay attention to the direction.



# 31

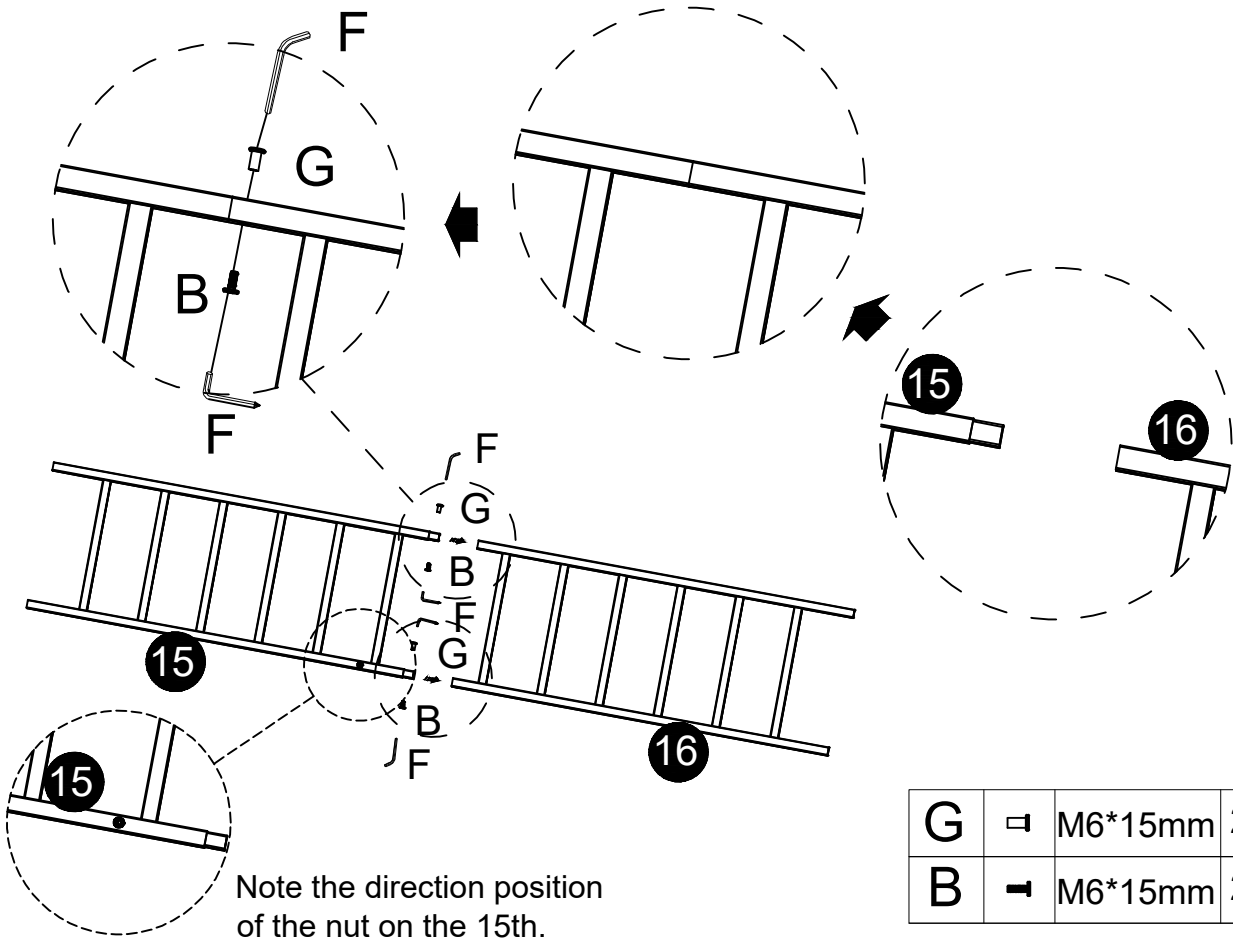
D goes through 3 and then locks with 14.



D goes through 1 and then locks with 14.

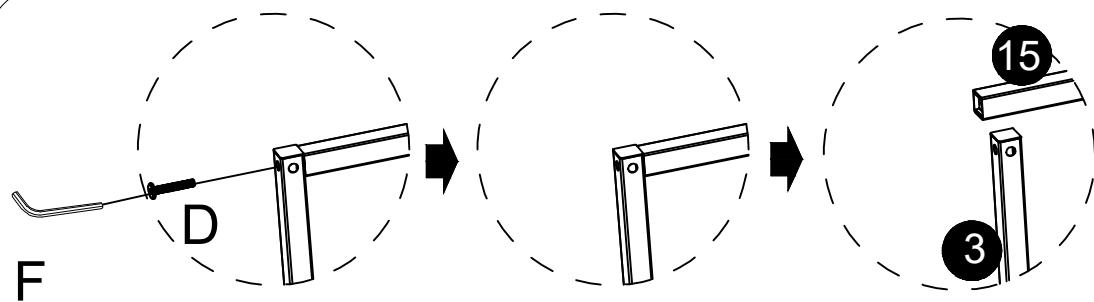
D	→	M6*35mm	4PCS
---	---	---------	------

# 32



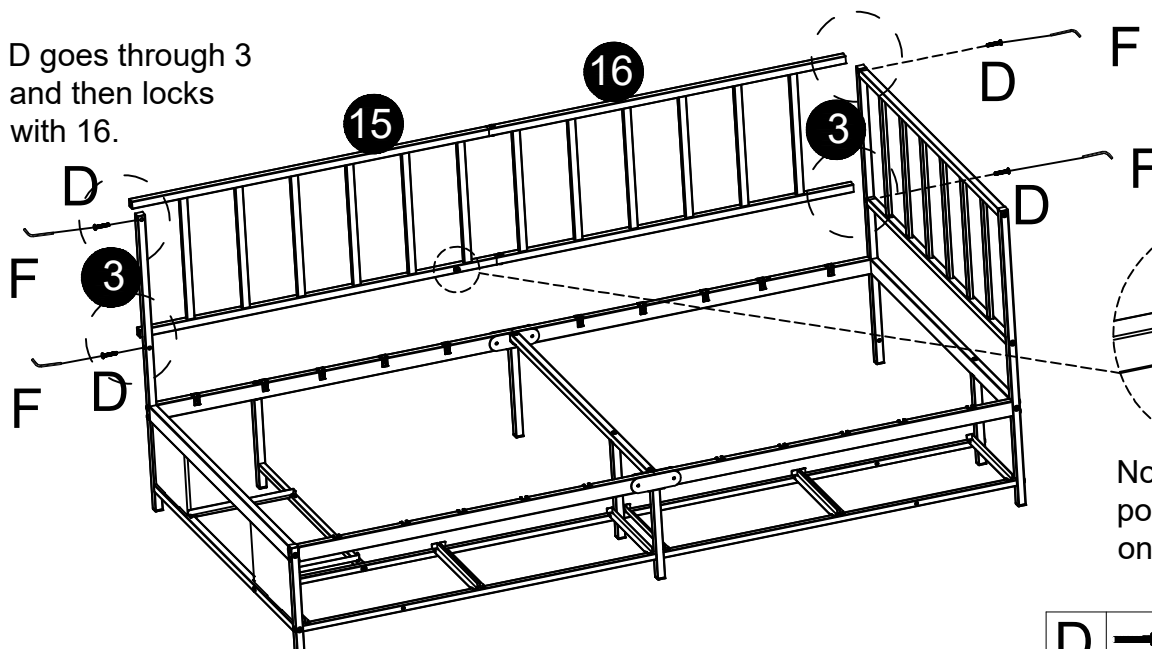
Note the direction position of the nut on the 15th.

G	□	M6*15mm	2PCS
B	→	M6*15mm	2PCS



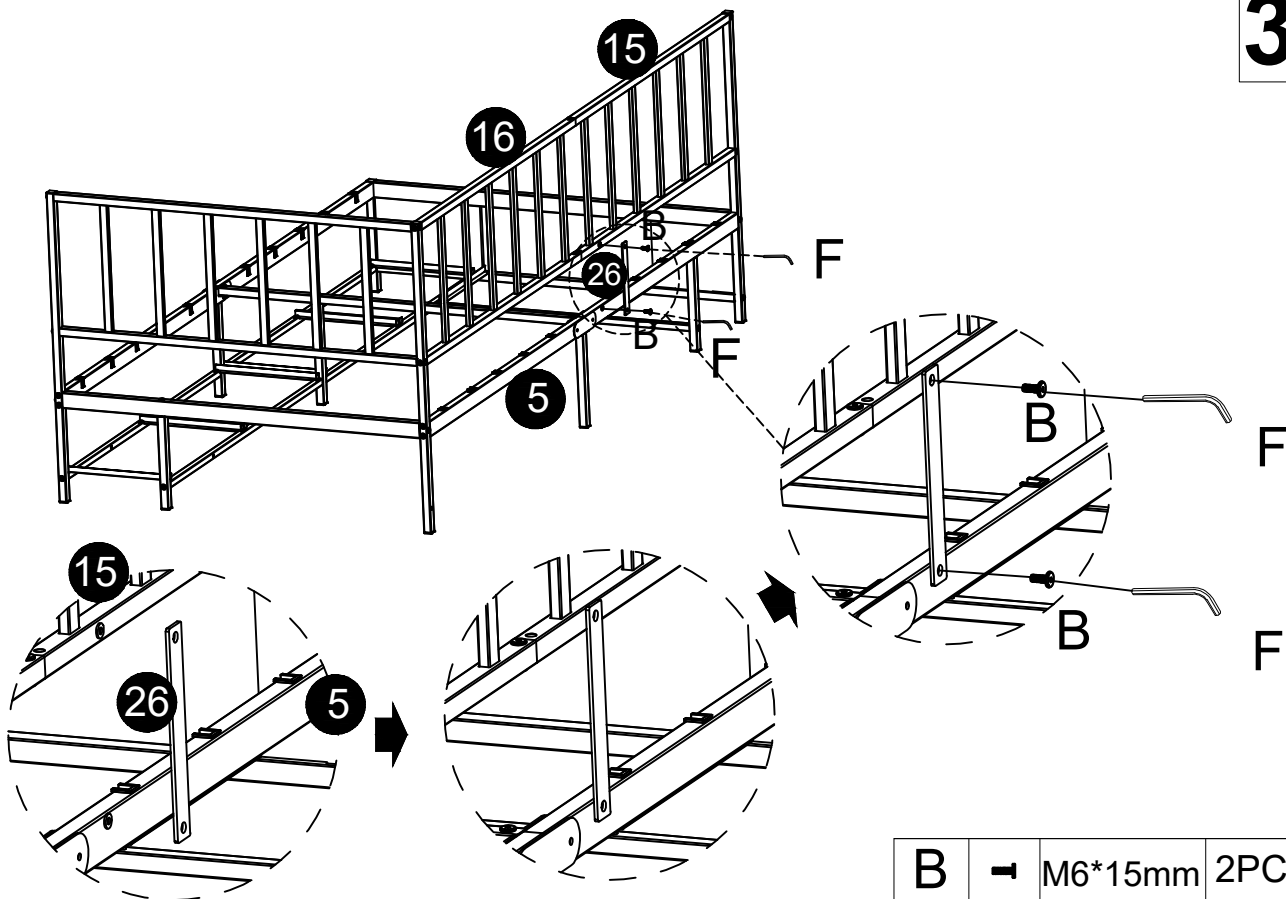
D goes through 3 and then locks with 16.

D goes through 3 and then locks with 16.

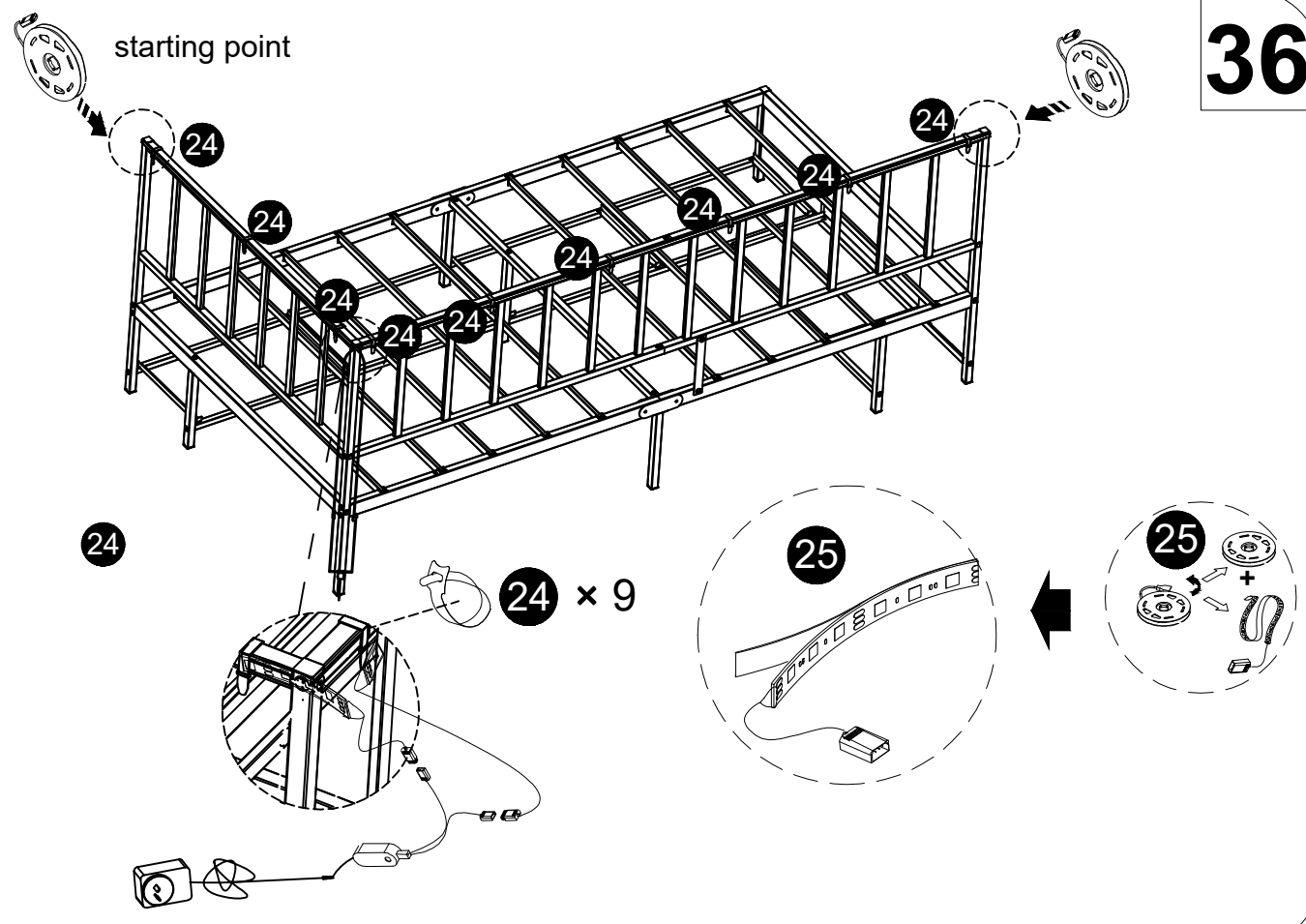
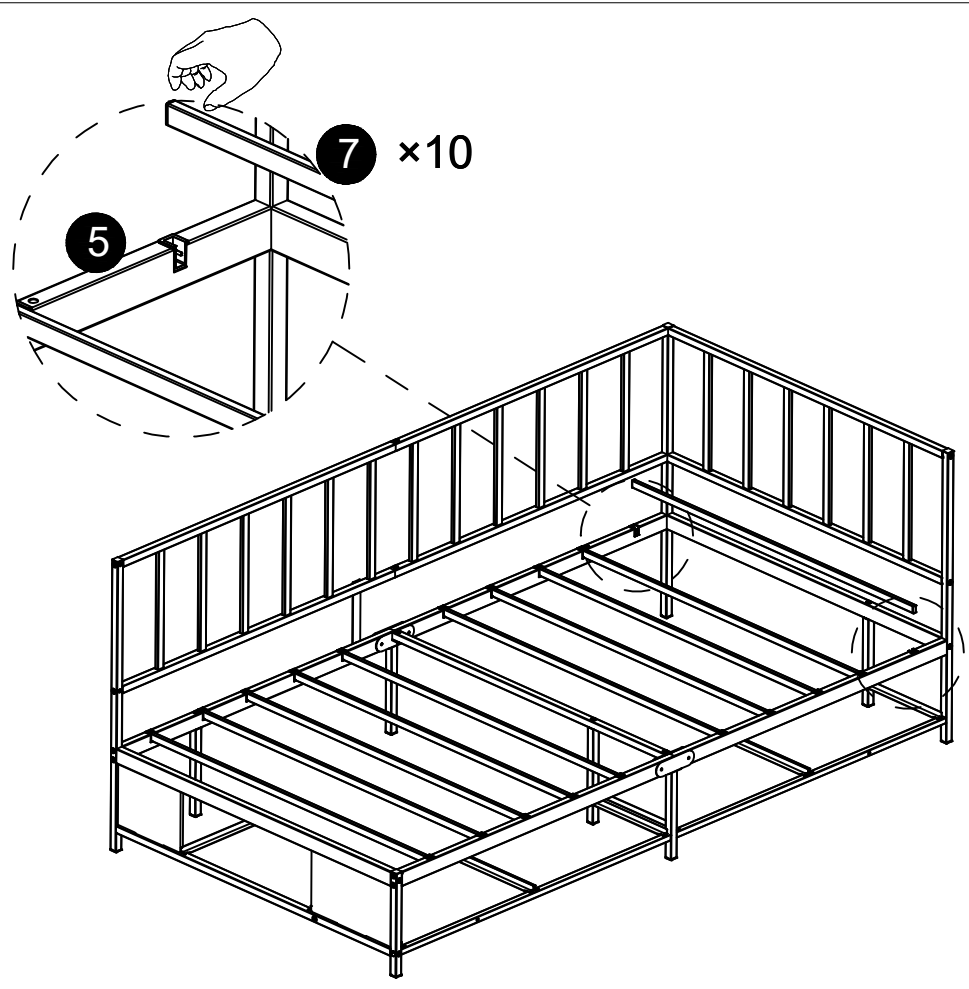


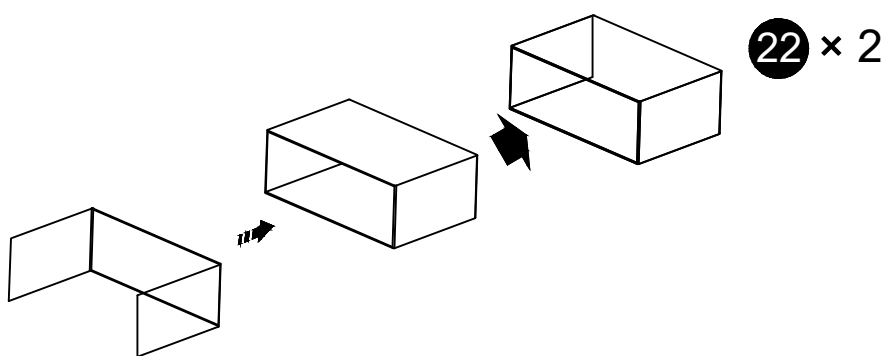
Note the direction position of the nut on the 15th.

D	→	M6*35mm	4PCS
---	---	---------	------

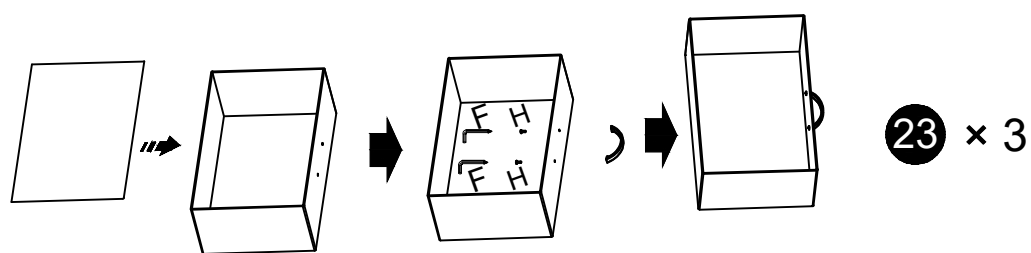


B	→	M6*15mm	2PCS
---	---	---------	------



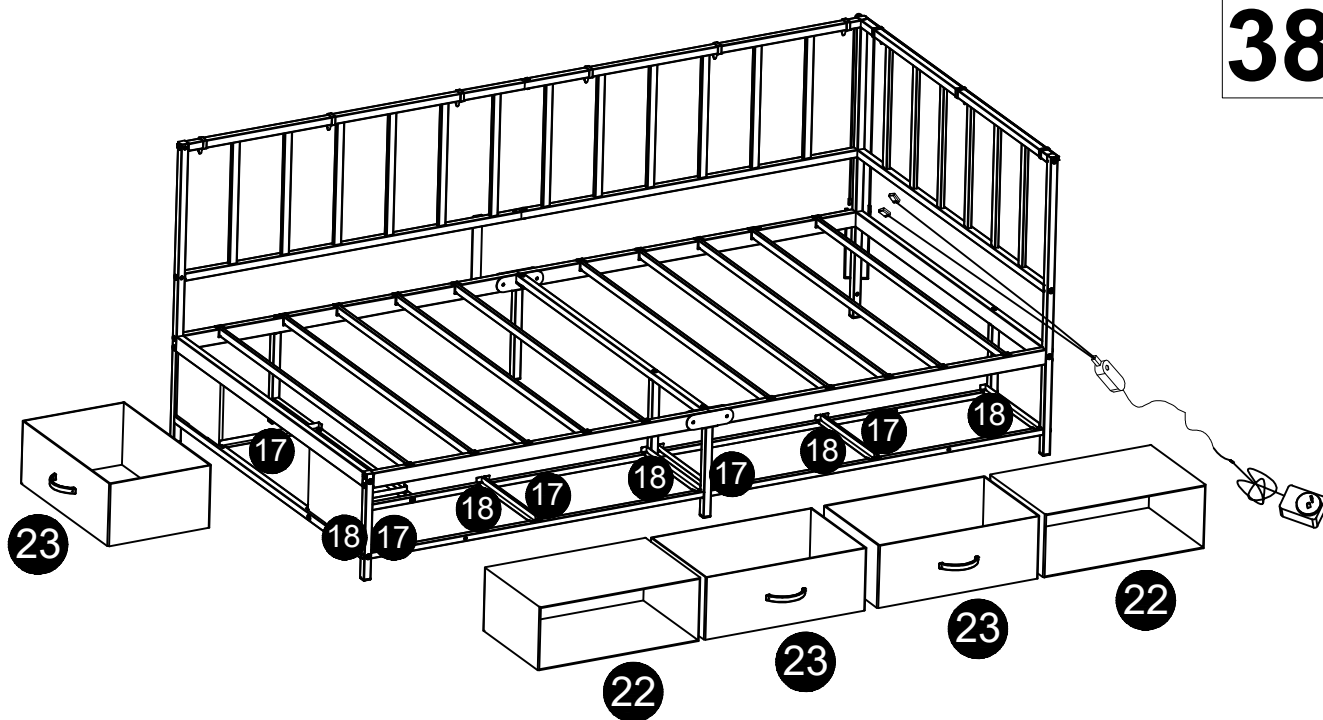


Put the inner box into the outer box



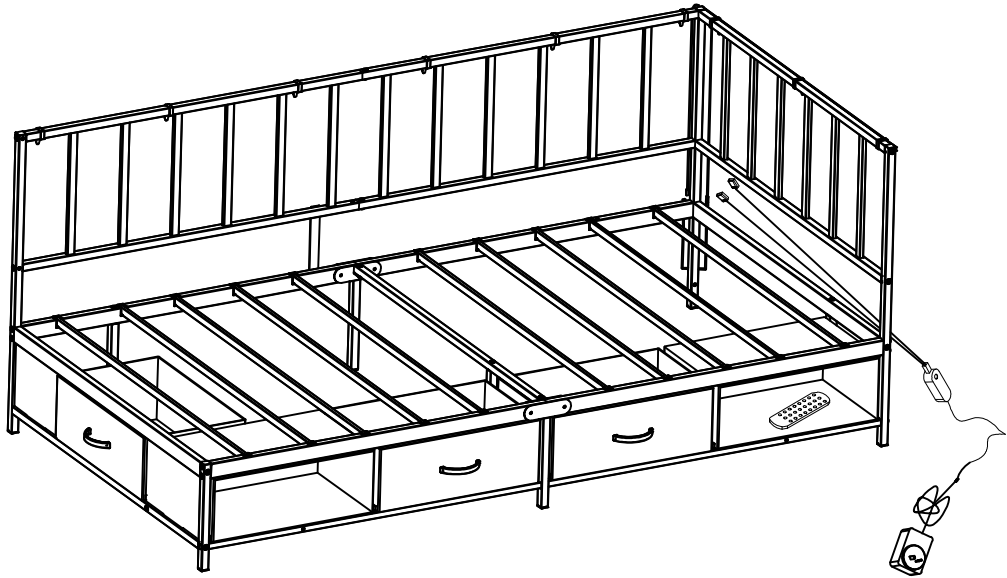
Insert the inner pad into the bottom layer of the spread.

H		ST4.2*12mm	6PCS
---	--	------------	------

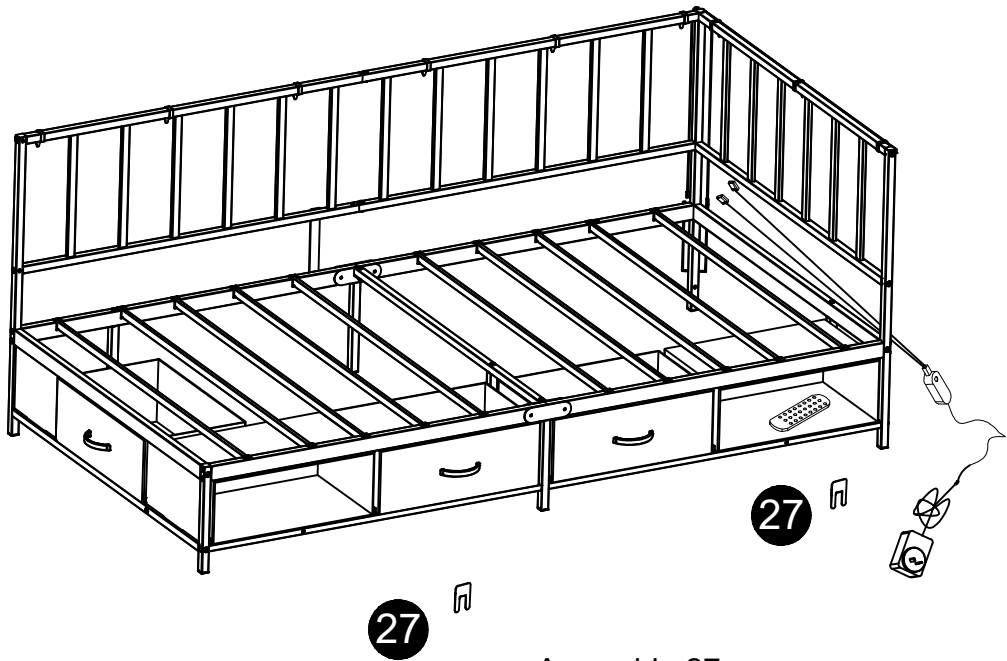


Put 22 and 23 into 17 and 18 respectively ,and it's finne as it's in place at the back.

39

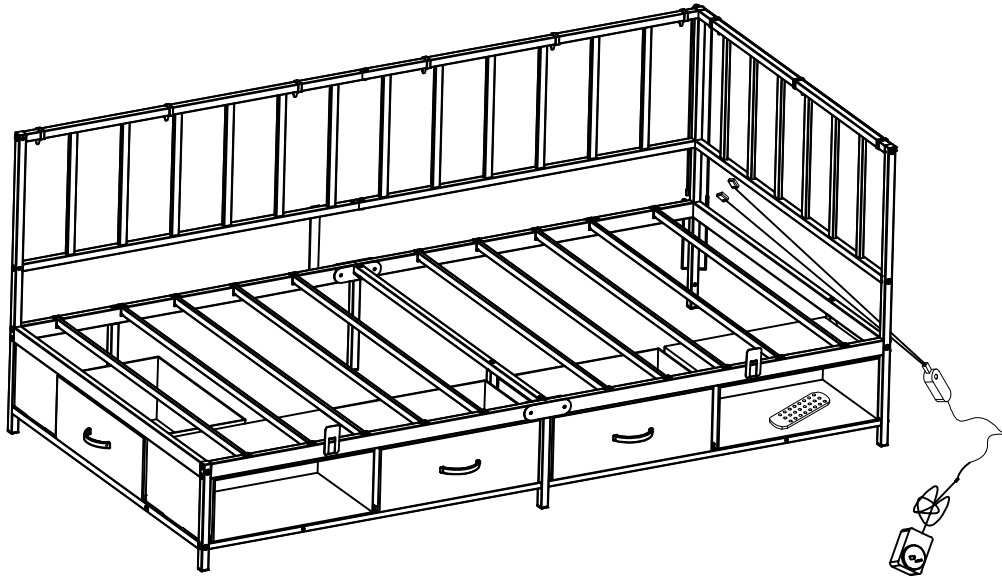


40



27

Assemble 27



Assembled, tighten all the screws

Our products have two assembly steps, friends can choose according to the placement location, thank you again for your trust and support for us.