

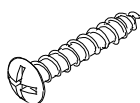
READ AND SAVE THESE INSTRUCTIONS FOR FUTURE USE

ASSEMBLY INSTRUCTION

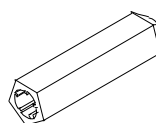
A x 1



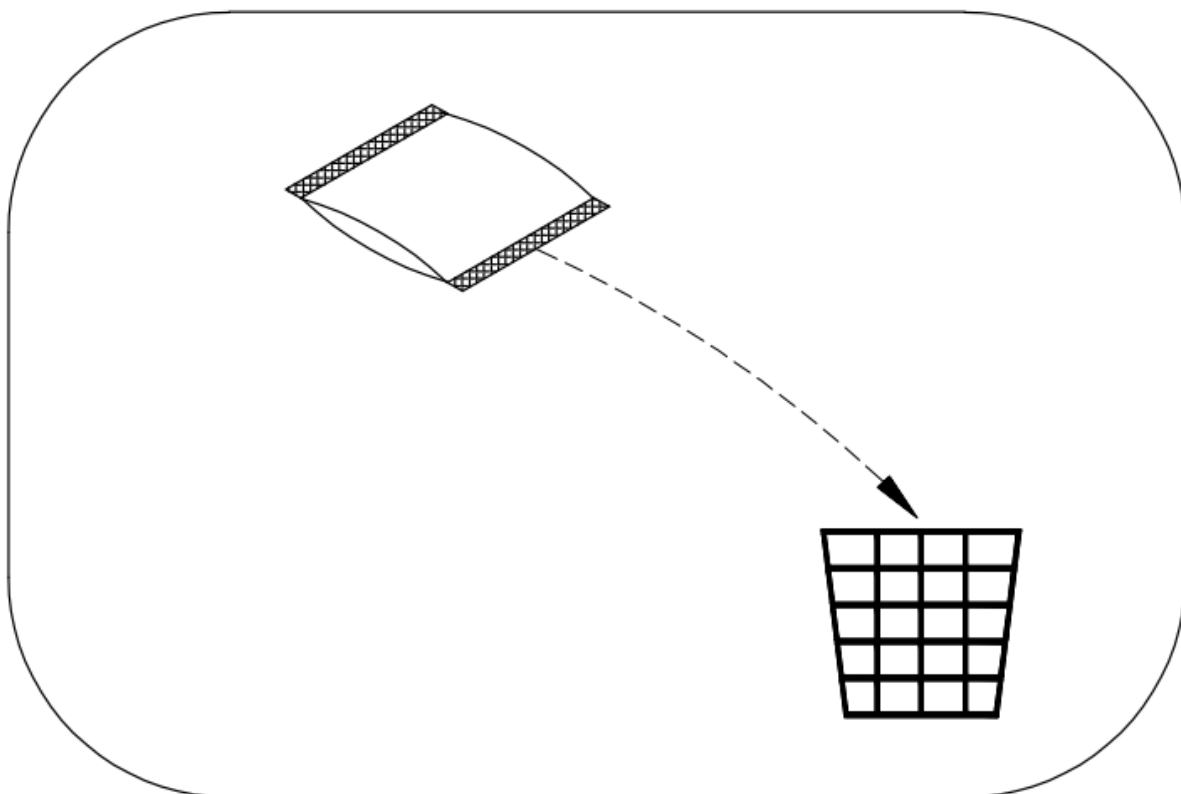
① x 4

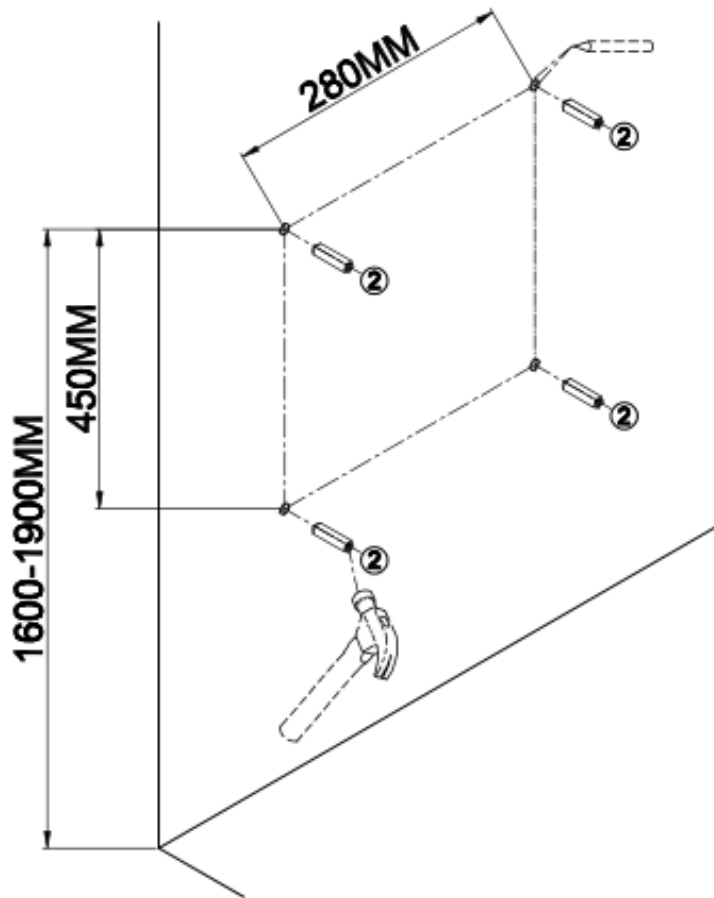
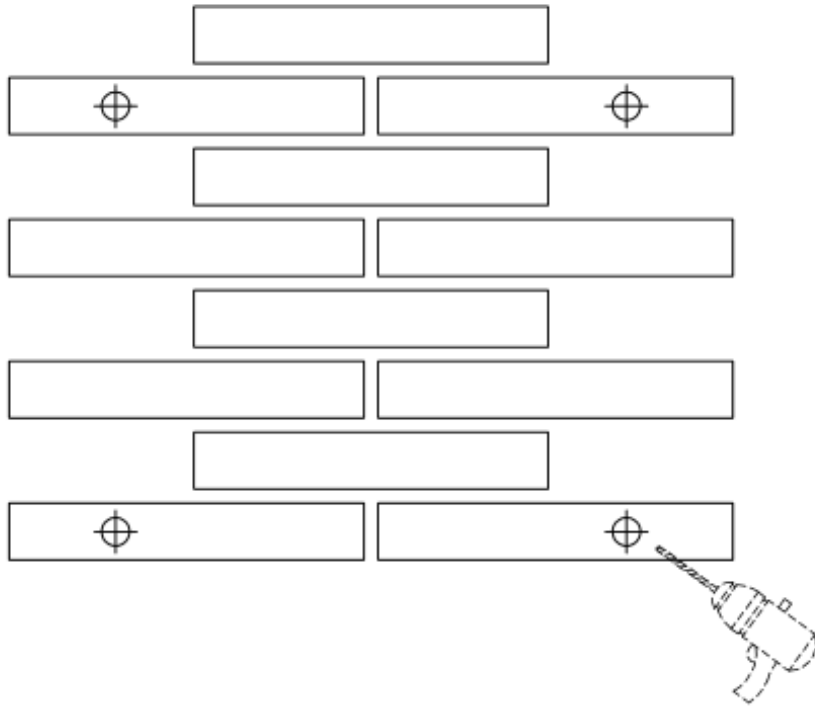
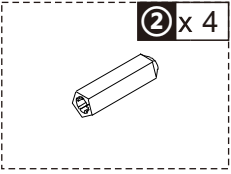


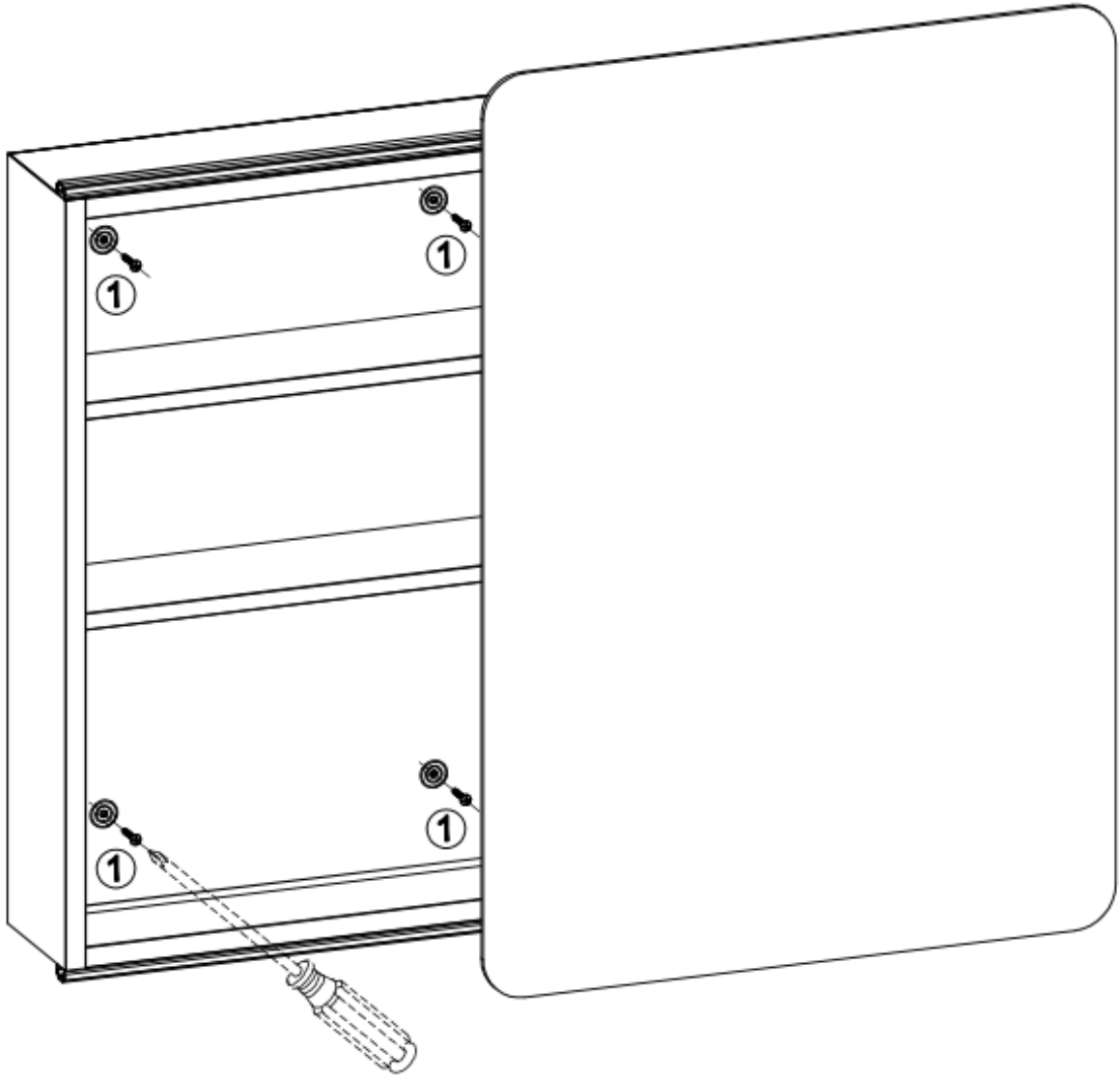
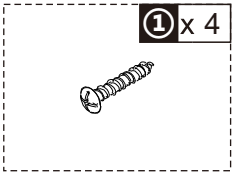
② x 4



TOOLS RECOMMENDED









OR

