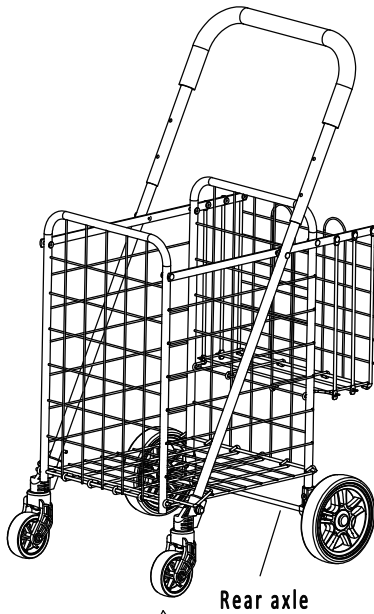
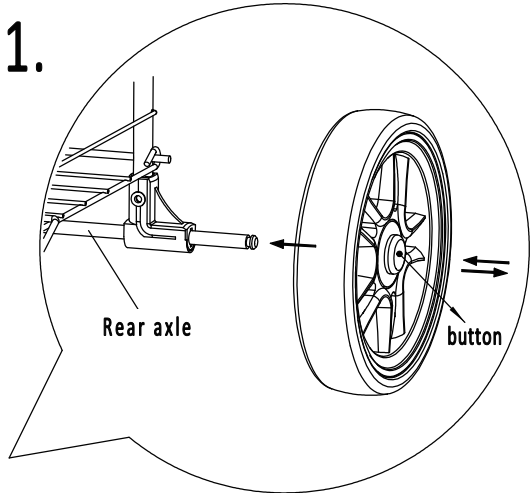


USER'S MANUAL

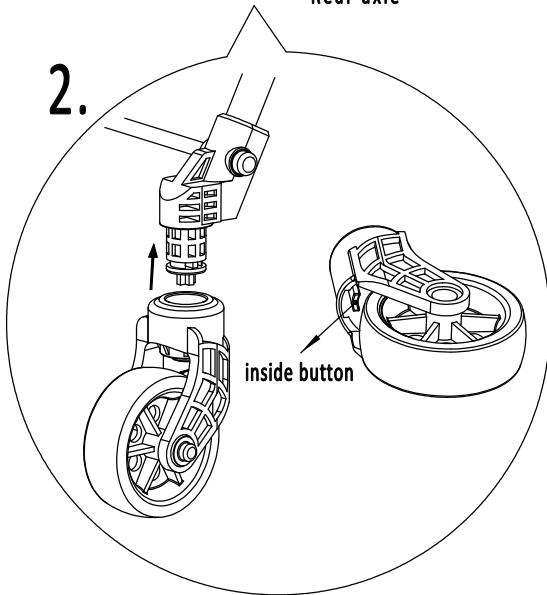
Shopping Cart



1.



2.



1. Once the back wheel is attached to axle, push the button in while gently pushing down then release the button and push up ensuring it snaps on.

2. Push the wheel into the front leg of cart until it "clicks" into place.

To remove the back wheels: simply push the button and slide wheels off.

To remove the front swivel wheels: make sure push the inside button and slide wheels off.