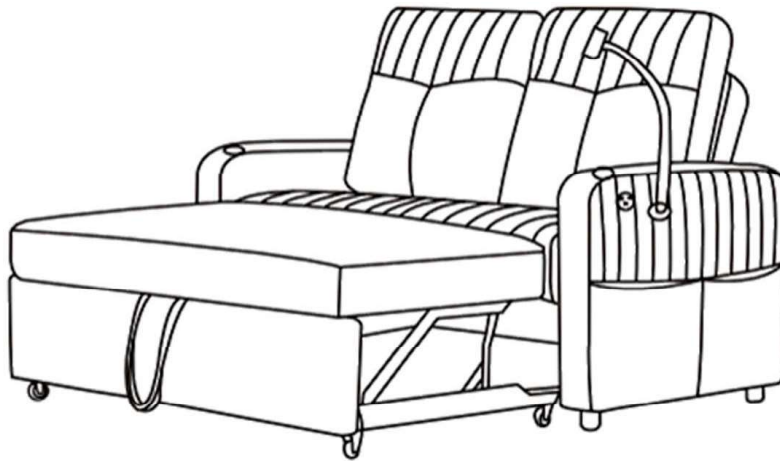
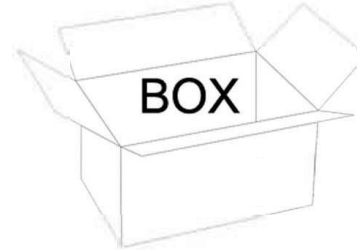
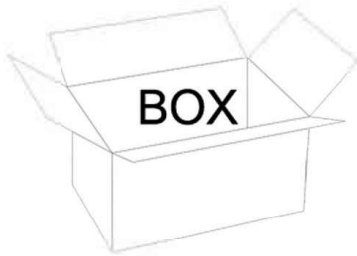














Assembly Instruction

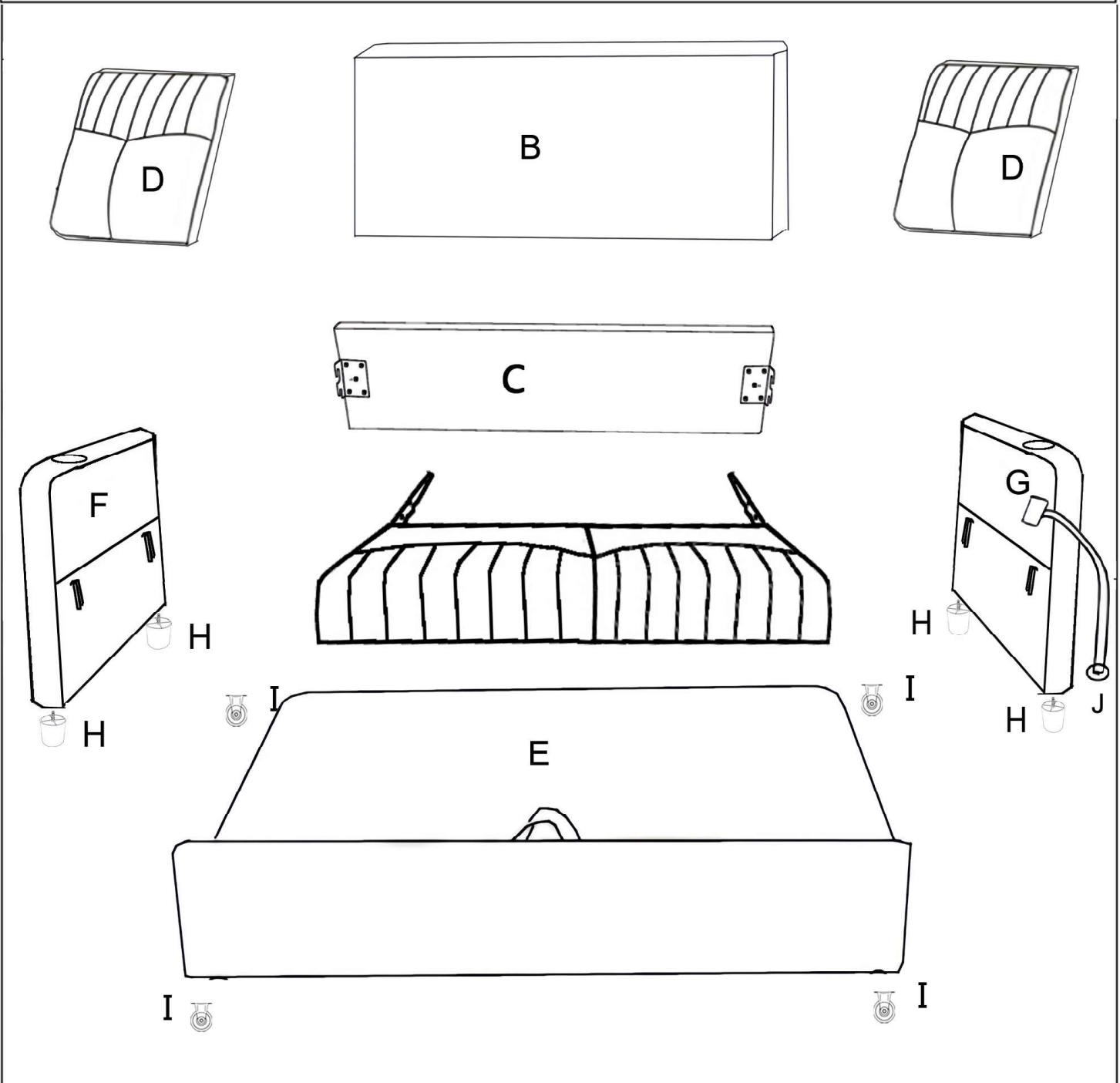


PARTS LIST

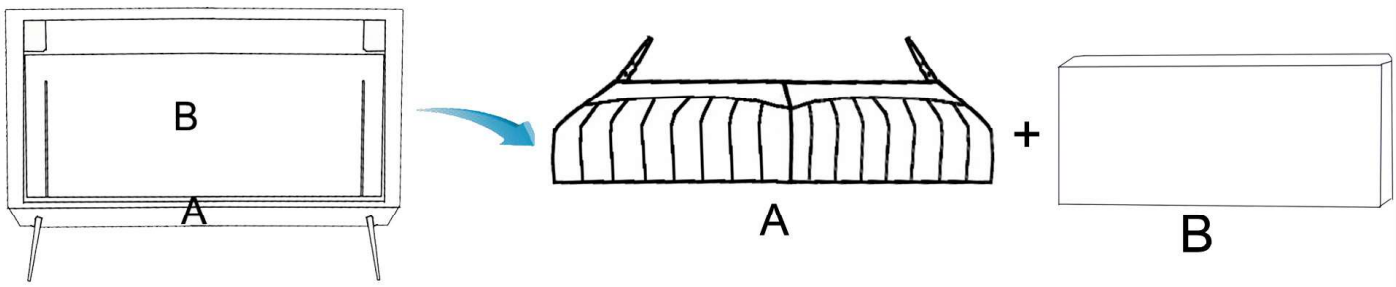


A		Seat Cushion	1 PC
B		Back Cushion	1 PC
C		Back Board	1 PC
D		Pillow	2 PCS

E		Trundle Bed	1 PC
F		Left Armrest	1 PC
G		Right Armrest	1 PC
H		Plastic Leg	4 PCS
I		Guide-Rail Wheel	4 PCS
J		Mobile Phone Holder	1 PC
K		USB Power	1 PC
L		Allen Key	1 PC

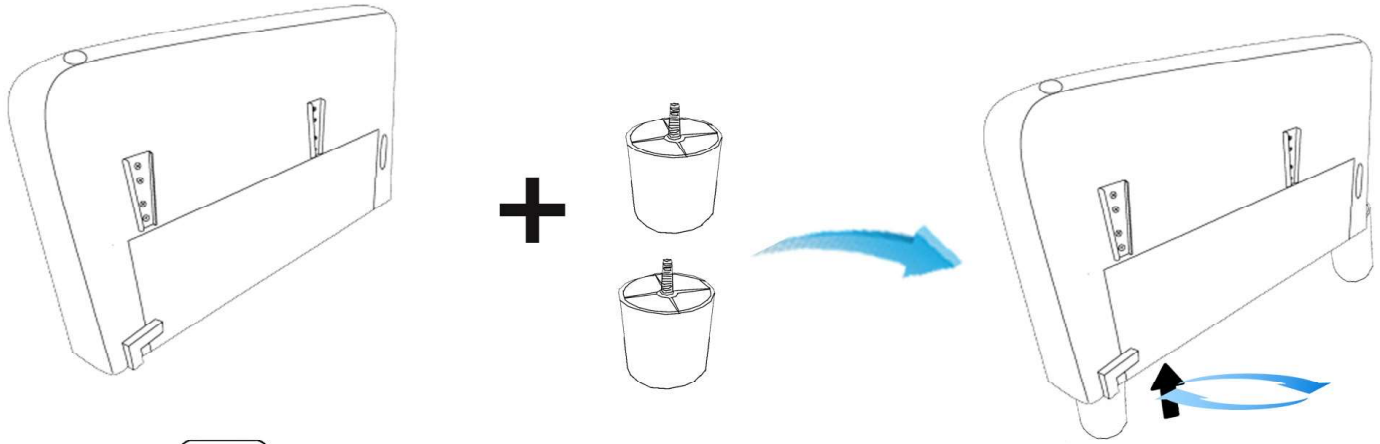


Step: 1 Take out the backrest B from the wooden frame of the seat cushion A.

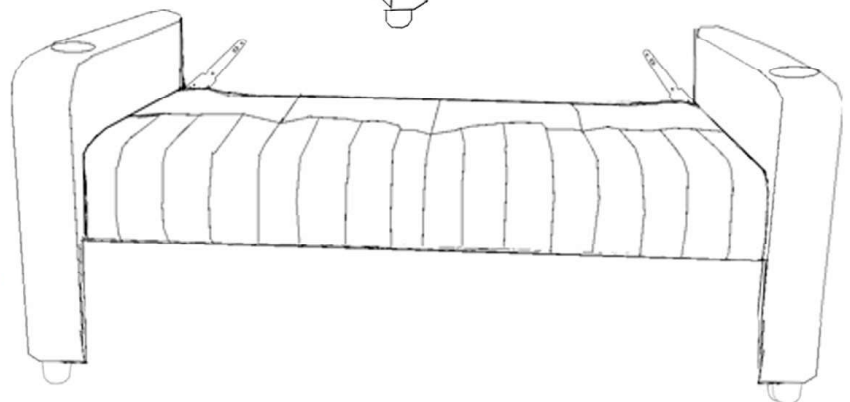
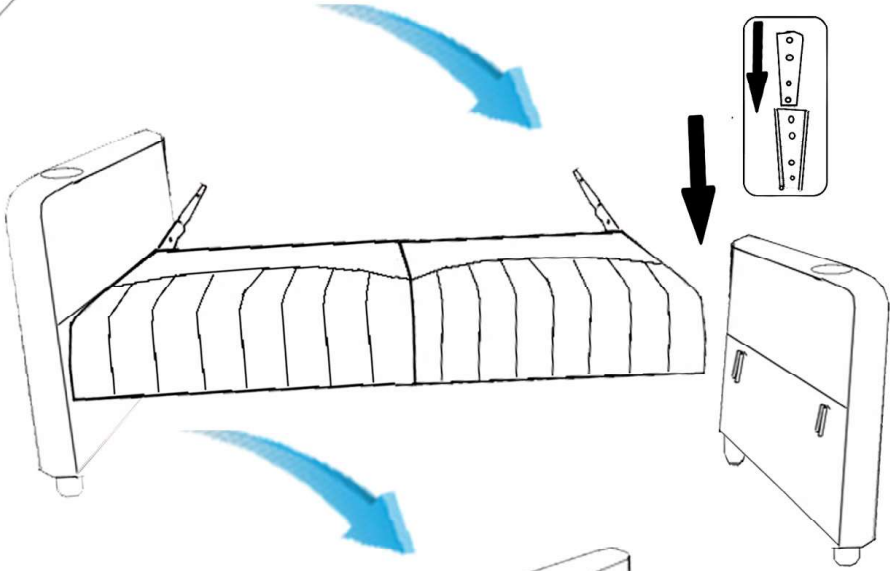
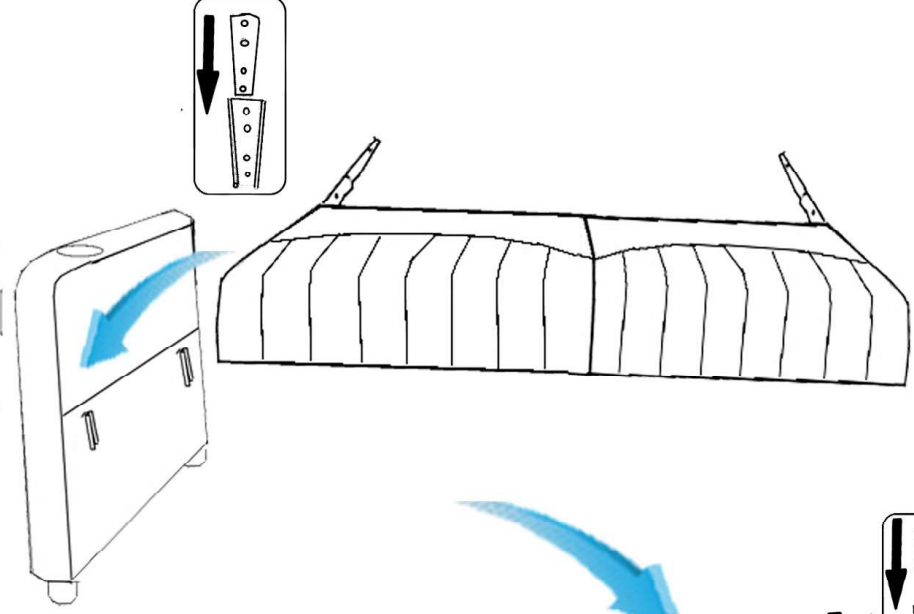


Step 2:

Connect the armrests to the seat cushion latch after the 4 plastic legs are installed under the armrests

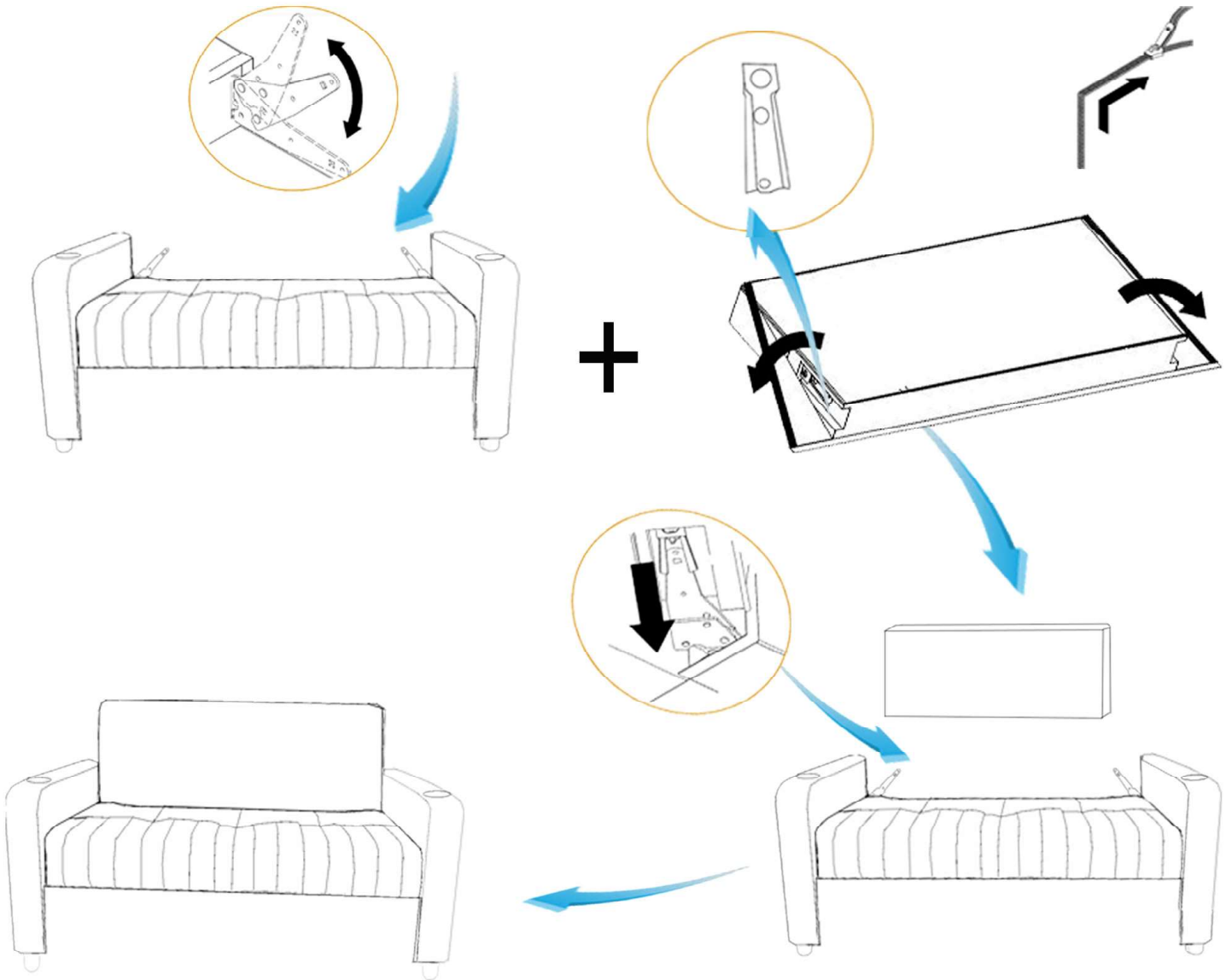


Please elevate the seat cushion and securely fasten its latch to the armrest.

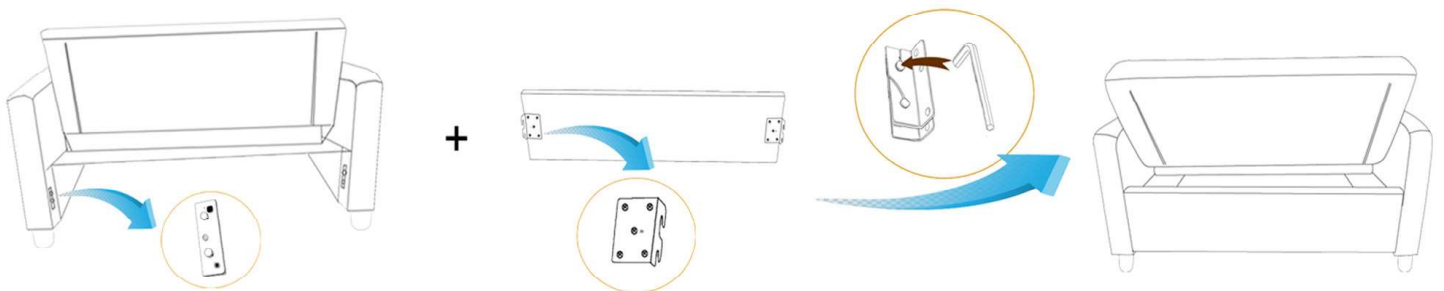


Step 3:

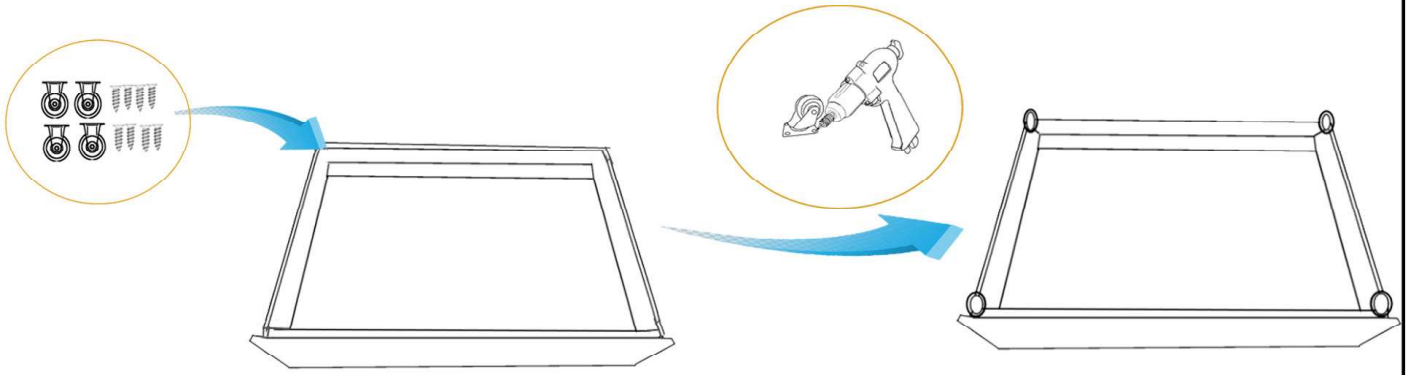
Attach the seat cushion to the back cushion.



Step 4: Use a wrench to fix the back board to the rear nut of the armrests.



Step 5: Install 4 wheels on bottom of trundle bed, please use tools to set screws.



Step 6: Place the trundle bed under the seat cushion, Please meticulously avoid the positioning components in the armrests, and install the mobile phone holder.

