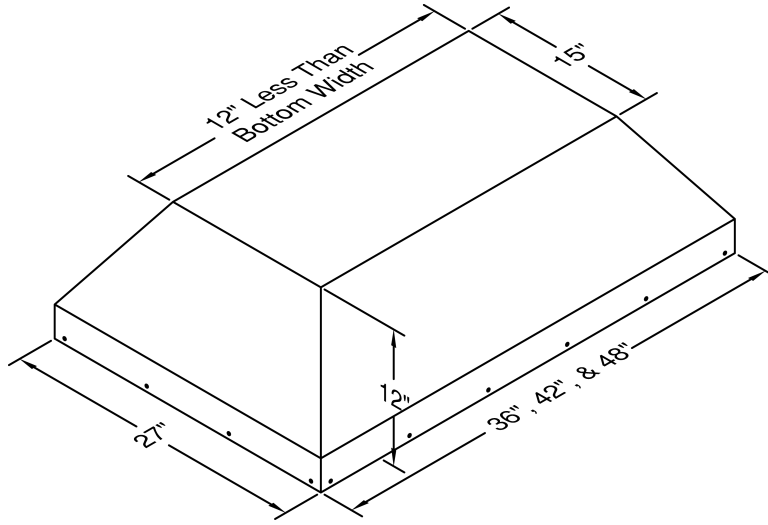


TH242SLE

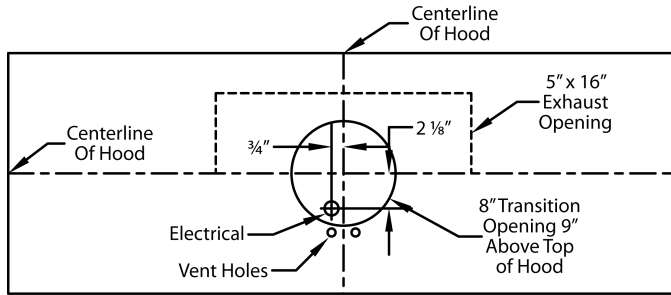
Halogen lights. This model is not available with heat lamps.

Dimensional Information

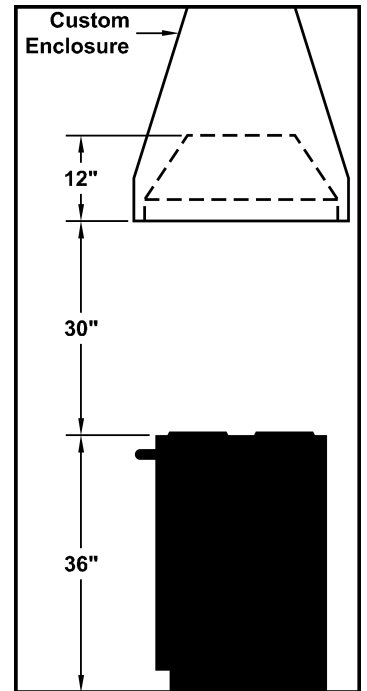
Width	42.0
Depth	27.0
Height	12.0
CFM @ 0.0" SP	550.0
Sones	6.0
Amps	4.9
# Lights	4.0



Connection Diagram

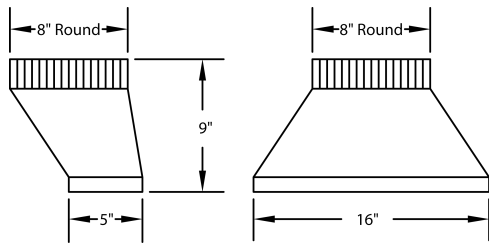


Recommended Mounting Height*

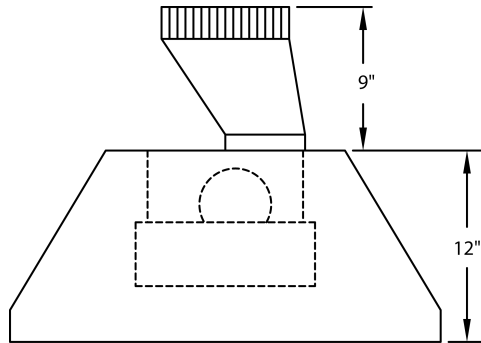


*Exceeding recommended mounting height may compromise performance.

550 CFM T200 Dual Blower (Top View)



VP565 Standard Transition (Included)



Transition Installed (Side View)

Electrical/Mechanical Specifications For Blower Unit

Model	Volts	Amps*	Hz	RPM	CFM SP@0.0"	Equivalent CFM	CFM SP@0.1"	CFM SP@0.2"	CFM SP@0.3"	Minimum Round Duct Size	Sones [#]
T200 Island Dual	115.0	2.9	60.0	1550.0	550.0	900.0	507.0	471.0	431.0	8" (50 sq. in.)	6.0

+ This model is equipped with halogen lighting (one in each corner).

\$ Because the Magic Lung® blower uses centrifugal filtration rather than conventional baffle or mesh filters, the Magic Lung® blower can handle cooking equipment with higher cubic feet per minute (CFM) requirements and can deliver equivalent CFM much more efficiently than other filtration systems. When comparing the Magic Lung® with other blower units made by other manufacturers, use the "Equivalent CFM".

Ratings in accordance with the Standard Test Code by the Energy Systems Laboratory of the Texas Engineering Experiment Station.