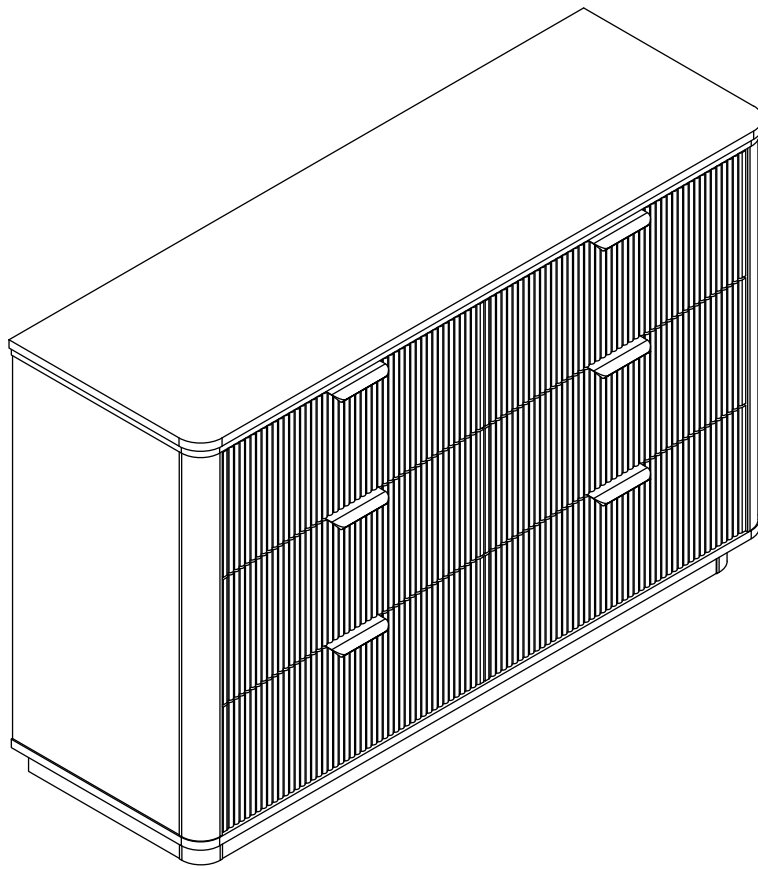


Instruction



REMARK

We kindly recommend that you check the quantity and condition of the panels and accessories upon receiving the product, as outlined in the instruction manual. If you find any missing parts, damages or encounter assembly issues, please feel free to contact us, and we will be happy to assist you within 24 hours.



IMPORTANT INFORMATION

READ CAREFULLY.

KEEP THIS INFORMATION FOR FURTHER REFERENCE.

GENERAL GUIDELINES

- Please read the following instruction carefully and use the product accordingly.
- Please keep this manual and hand it over when you transfer the product.
- This summary may not include every detail of all variations and considered steps. Please **contact us** when further information and help are needed.

NOTES

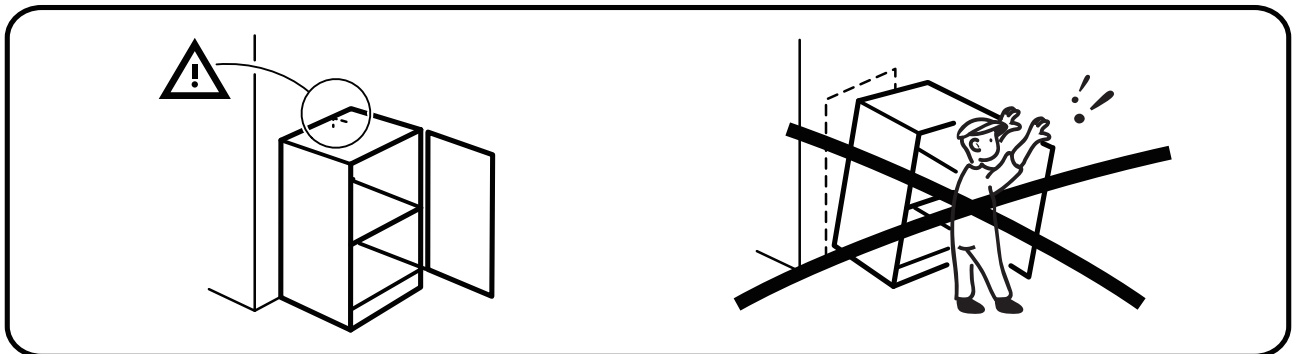
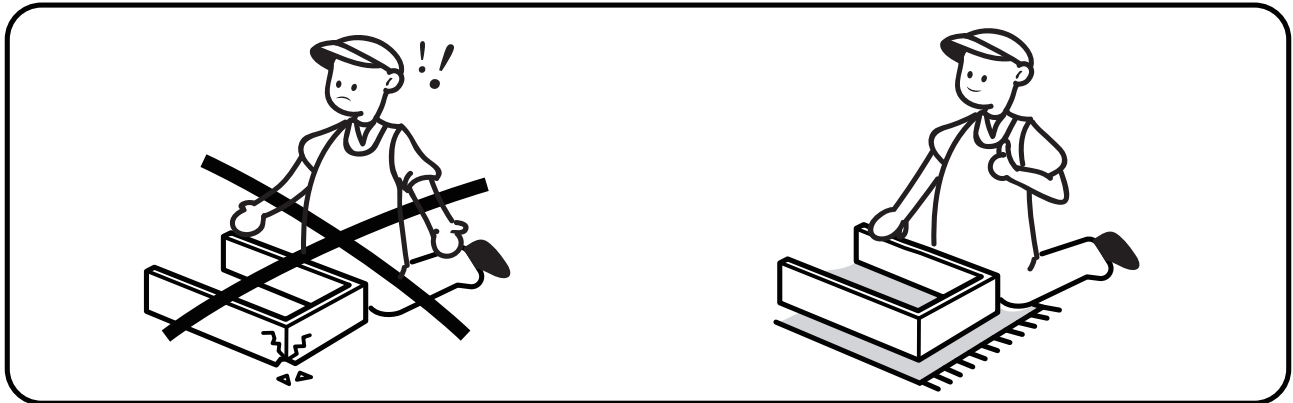
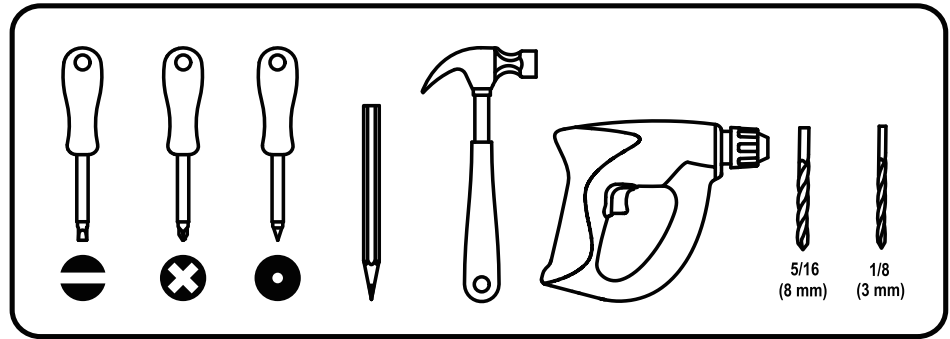
- Please follow the assembly instructions precisely and only use the product as intended.
- If an odor is present when first opening the package, please leave the unwrapped product in a shaded and ventilated area for a few days to air out.
- Prior to assembly, please check the product for defects or missing accessories. If any defects are found or accessories are missing, do not use product as damage or injury may occur;
Please **contact us** for assistance and replacement.
- It is suggested you regularly check the products bolts and connections to ensure safe use.
- Assemble the item on a soft flat and clean surface to avoid scratches and damage.
- It is recommended that two people assemble this product.

WARNINGS

- During assembly, keep parts and packaging materials away from children and pets as there could cause injury and are a potential choking hazard.
- Avoid sharp objects or corrosive chemicals to prevent damage to the product.
- Please open the item slowly and cautiously to avoid pinching your hands by metal joints, especially children.

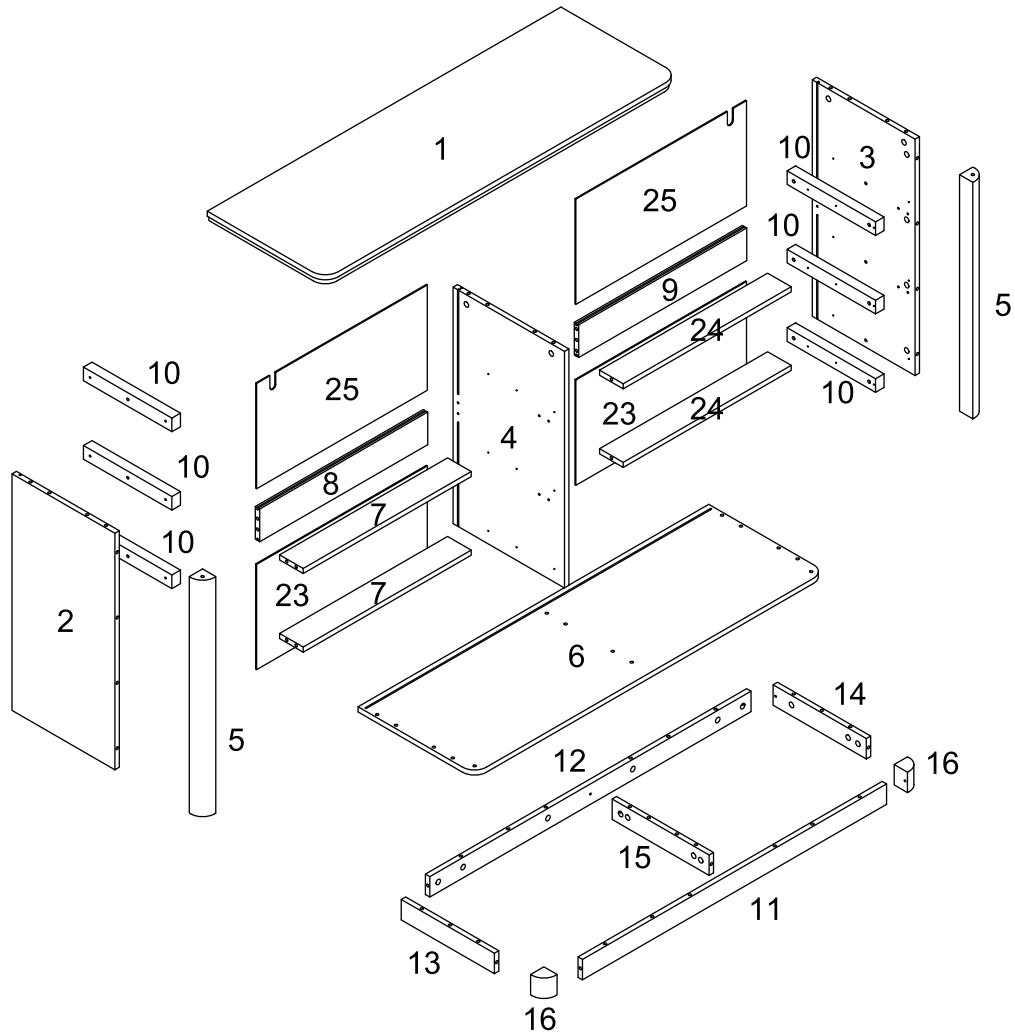
ANTI-TIP WARNING

- Serious or fatal crushing injuries can occur from furniture tip-over. To prevent this furniture from tipping over it must be permanently fixed to the wall.
- Since different wall materials require different types of fixing device, for advice on suitable fixing systems, contact your local specialized dealer.



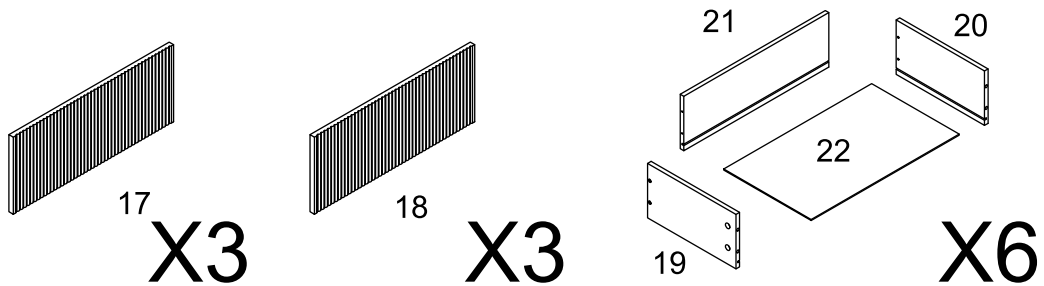
- Before installation, please make sure you have all the hardware, the serial numbers are properly labeled corresponding to the list, and the quantity is correct.
- If there are missing accessories or any quality problems or installation problems, please contact our professional customer service first, and we will reply ASAP. Please do not return the product without authorization. If you return it by yourself, you should bear the corresponding labeling fee.
- Enjoy your new purchase!

EXPLODED DRAWING




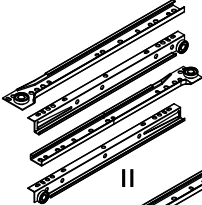
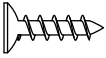


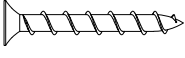
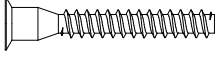

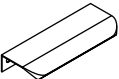


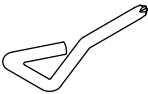
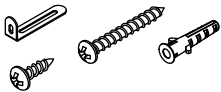


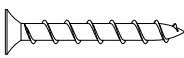


REMARK

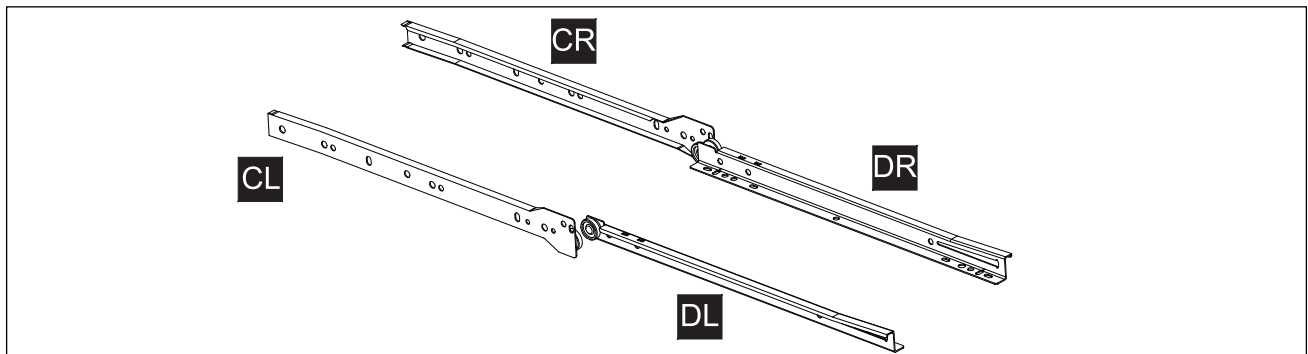
Please do not install the No. 19 and No. 20 boards backward. The No. 19 board is on the left side of the drawer and the No. 20 board is on the right side.



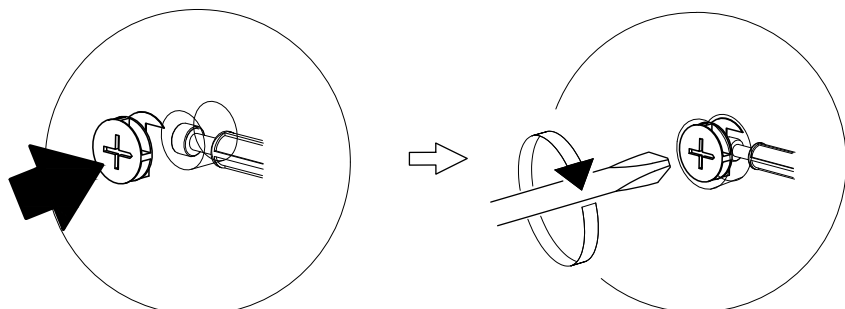
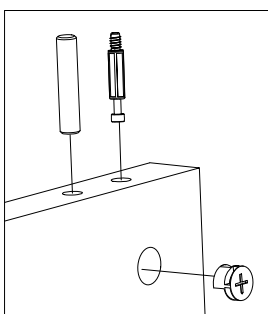
PARTS

	A X81+3		B X81+3 Ø15X9.5		C X32+2 Ø8X30
	D X6 300		E X72+3 Ø3.5X14		F X12+1 Ø3.5X12
	CL		G X24+2 Ø4X35		H X6+1 Ø6.3X50
	DL		I X6 120X38X17		J X16+2
	CR		K X1		L X2set
	DR		M X81+3 Ø21		N X12+1 Ø4X35

REMARK



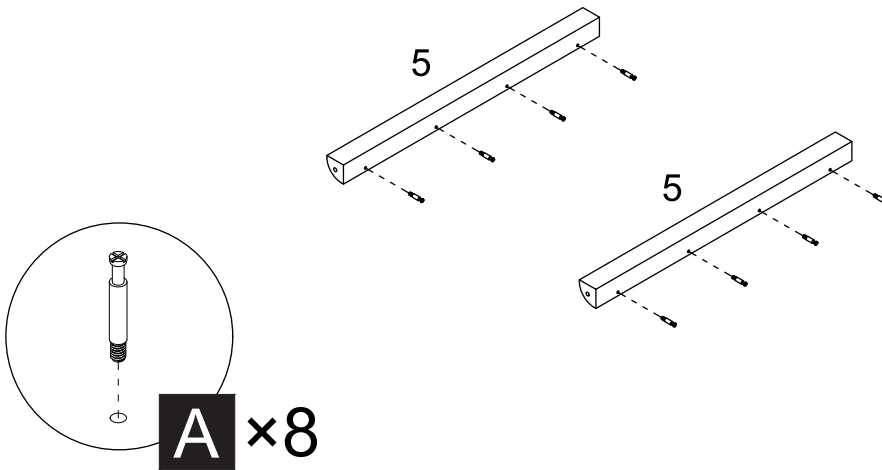
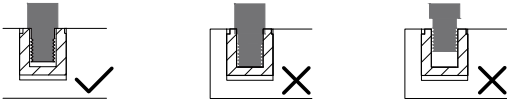
MINIFIX POSITION



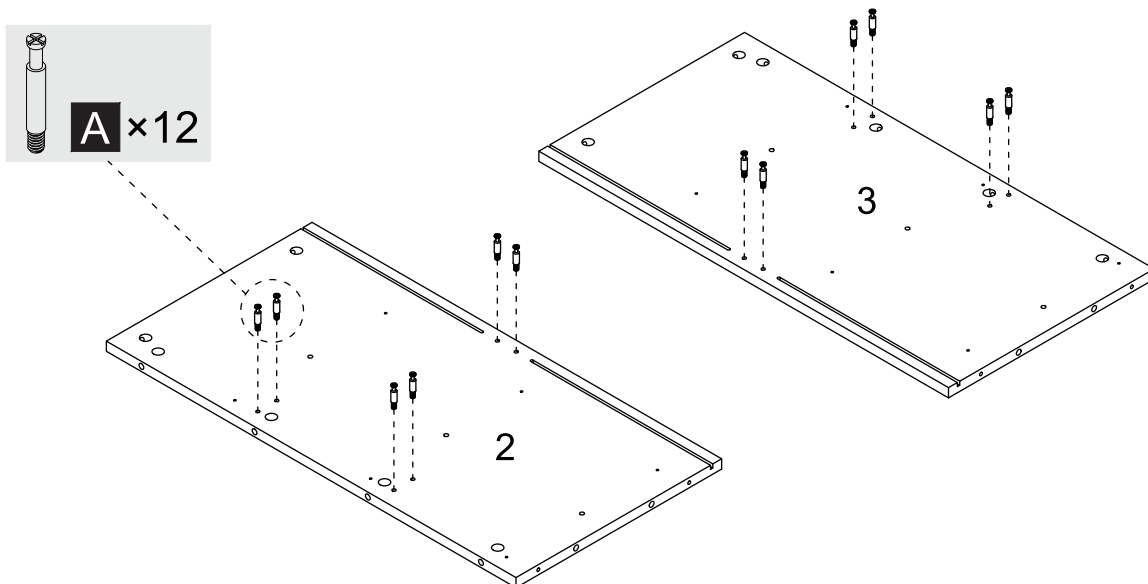
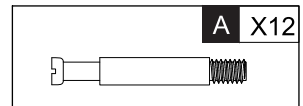
1



We kindly recommend that you check the quantity and condition of the panels and accessories upon receiving the product, as outlined in the instruction manual. If you find any missing parts, damages or encounter assembly issues, please feel free to contact us, and we will be happy to assist you within 24 hours.

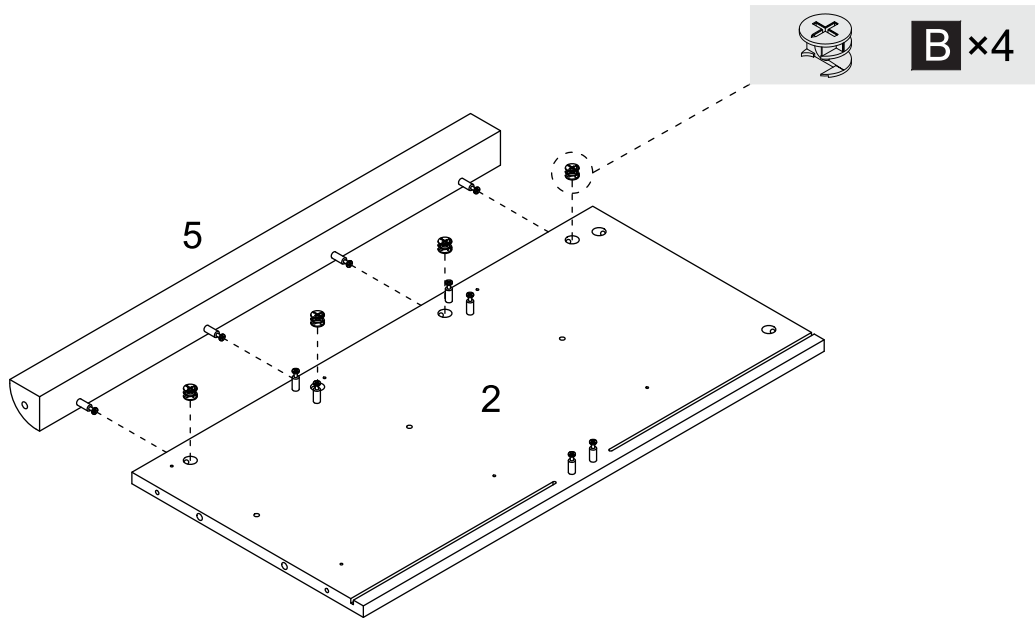
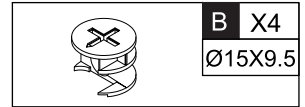


2

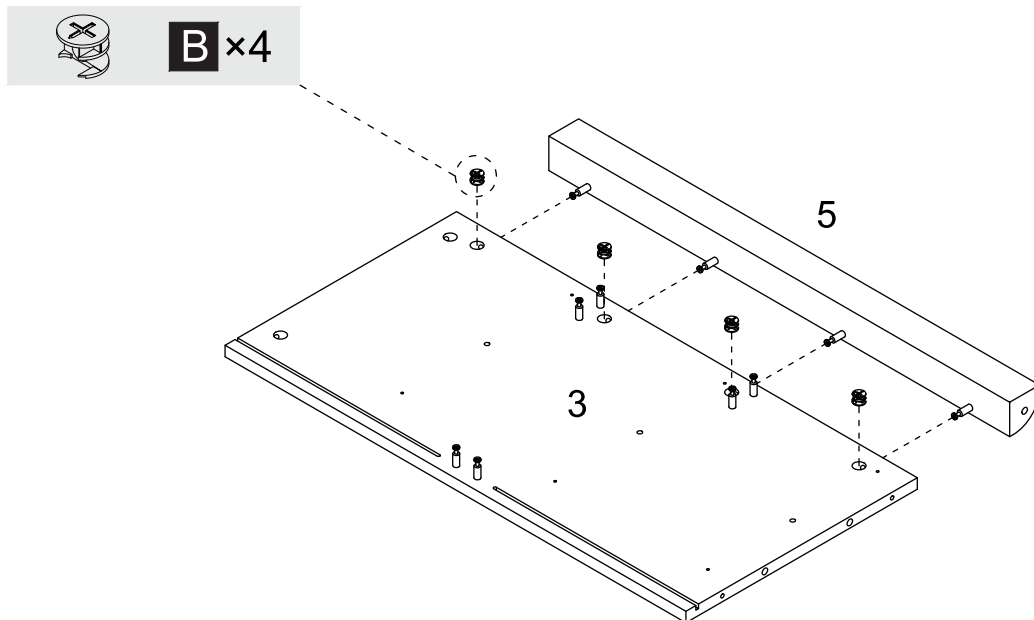
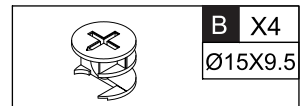


3


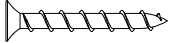
3



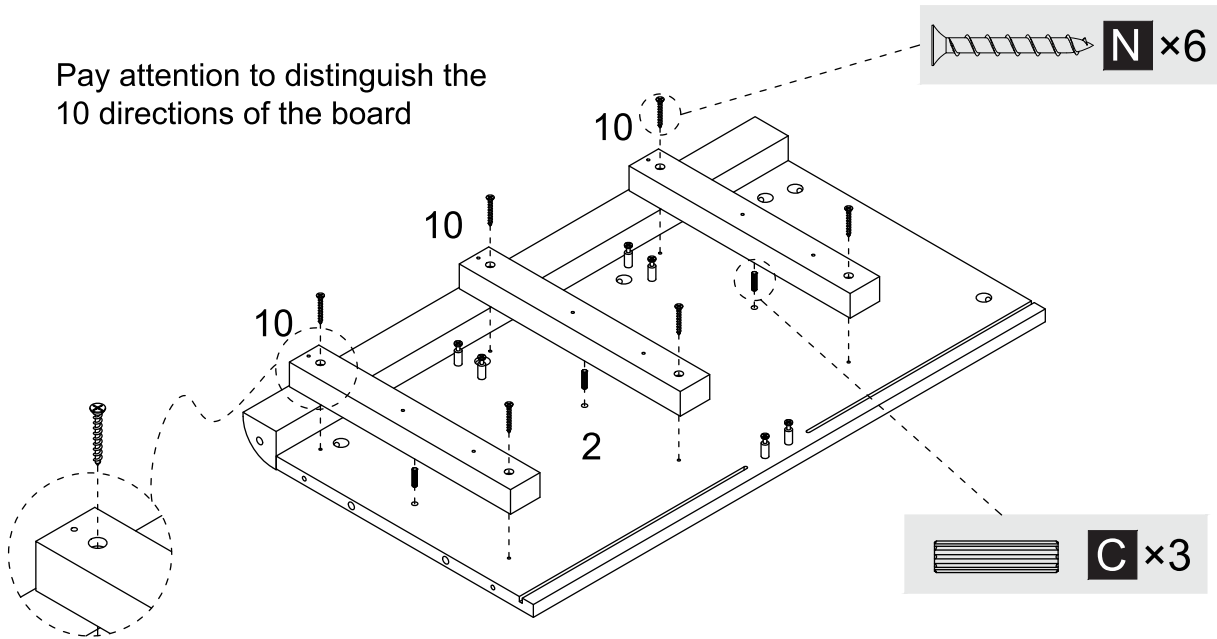
4




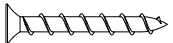
5

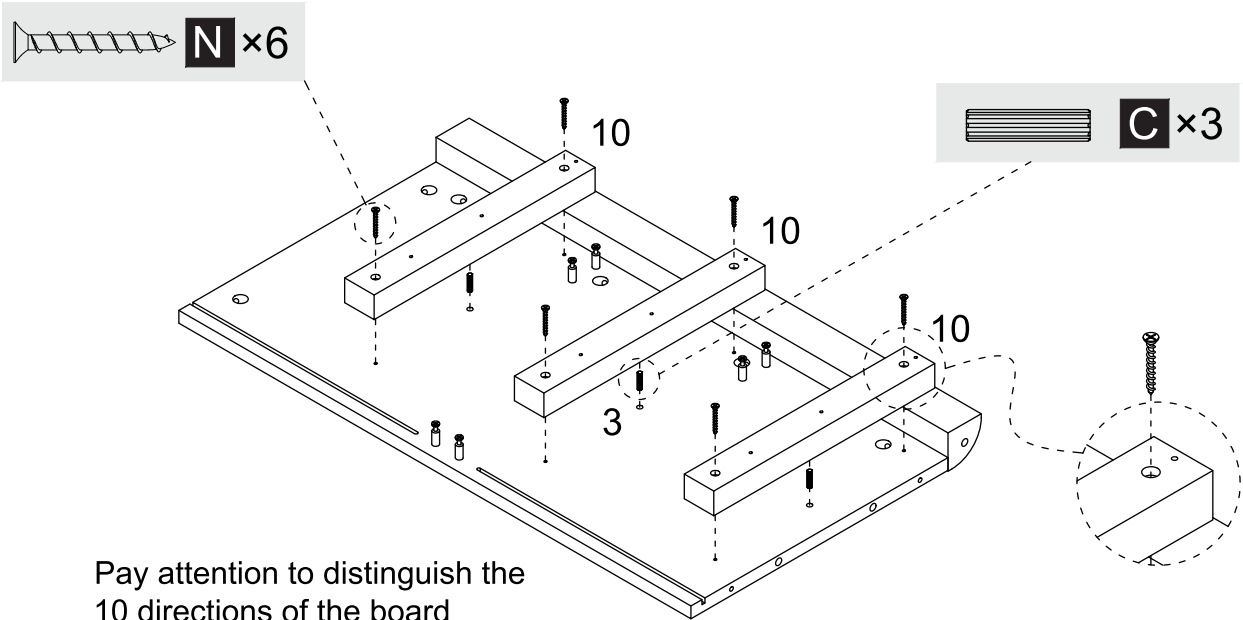
	C X3		N X6
	Ø8X30		Ø4X35

Pay attention to distinguish the 10 directions of the board



6

	C X3		N X6
	Ø8X30		Ø4X35

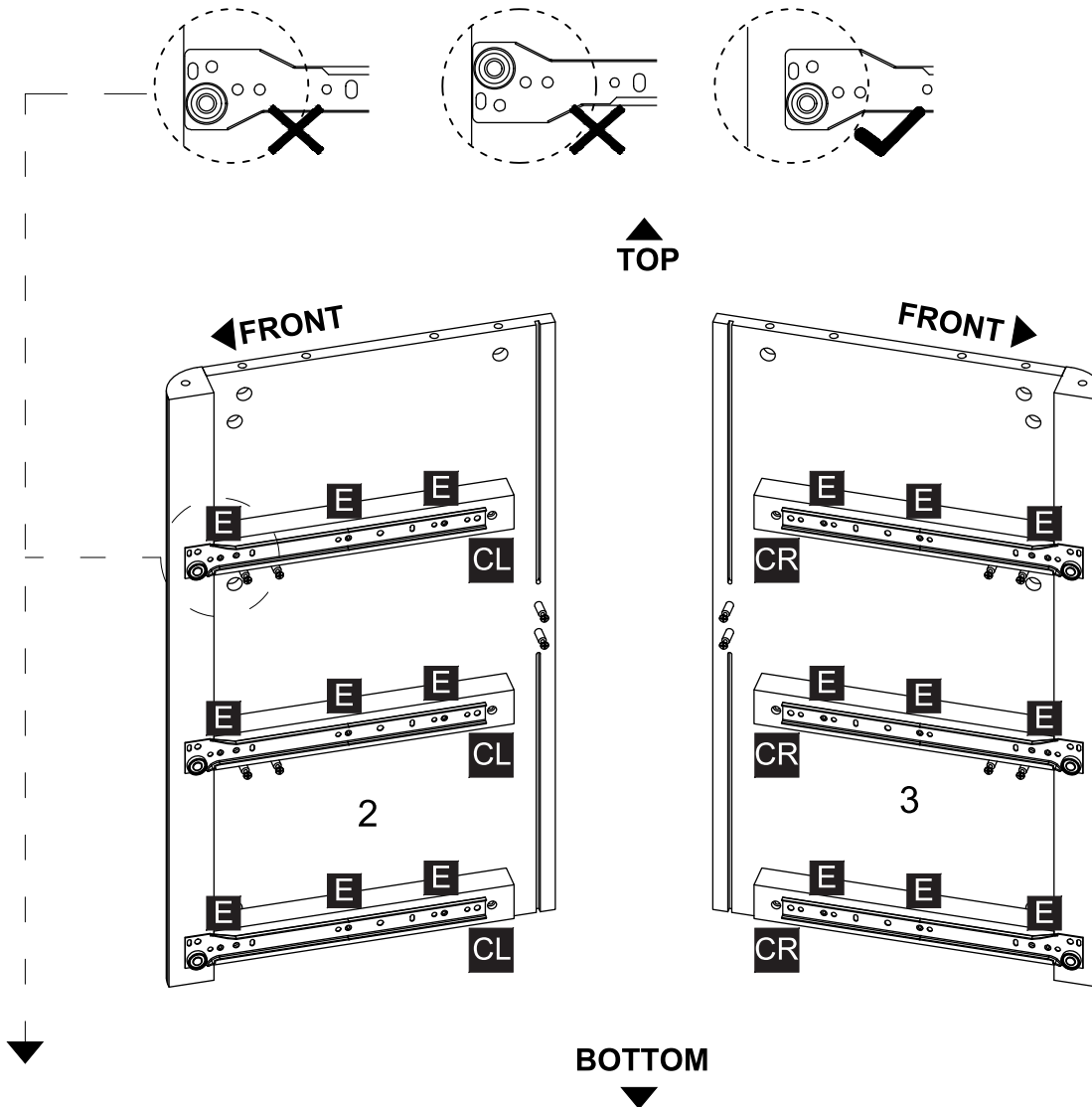


7

	E X18 Ø3.5X14		CL X3		CR X3
---	-------------------------	--	--------------	---	--------------

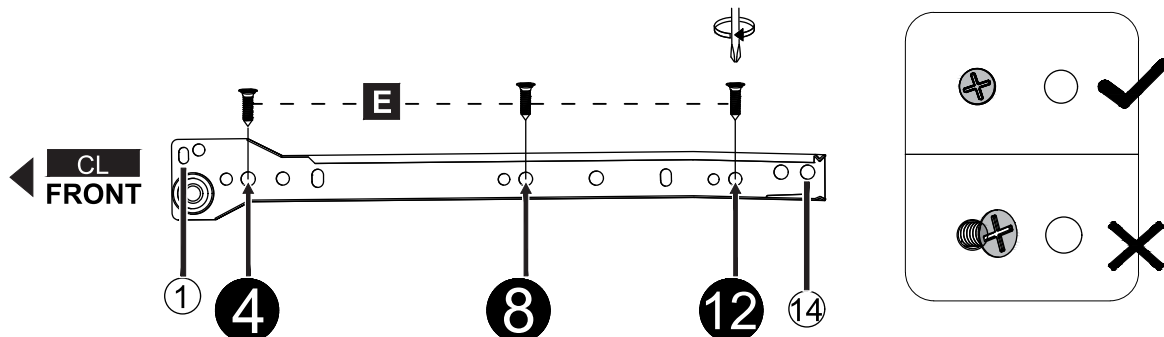
REMARK

Please do not install the No. 2 and No. 3 boards backward. The No. 2 board is on the left side of the dresser and the No. 3 board is on the right side. Also, please do not reverse the slide rails.

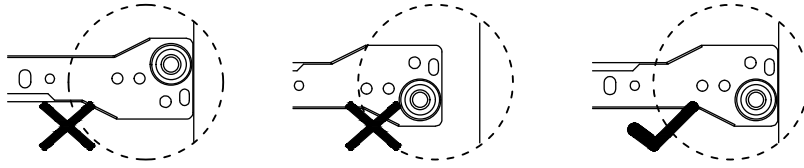
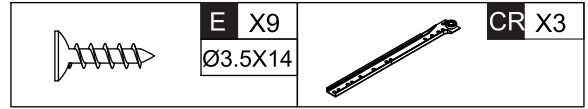


REMARK

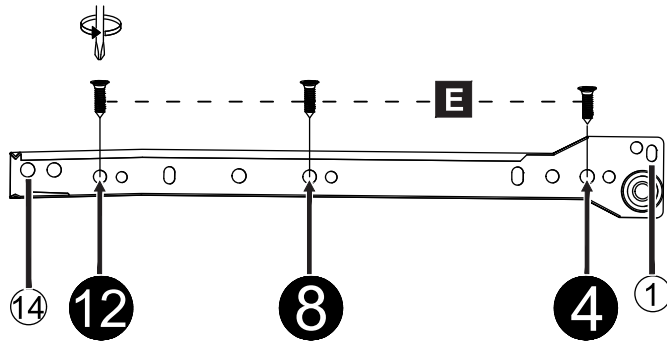
When installing, please make sure the screws are flattened, Not crooked; Otherwise the drawers will not be installed perfectly.



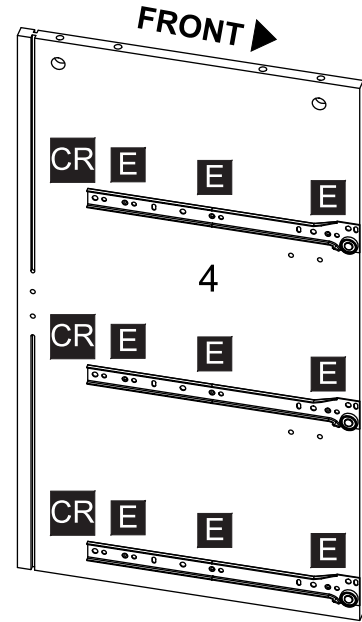
8 Right



TOP ▲

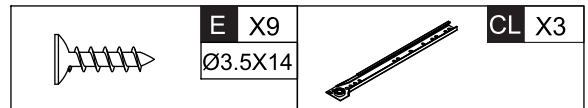


CR FRONT ▶

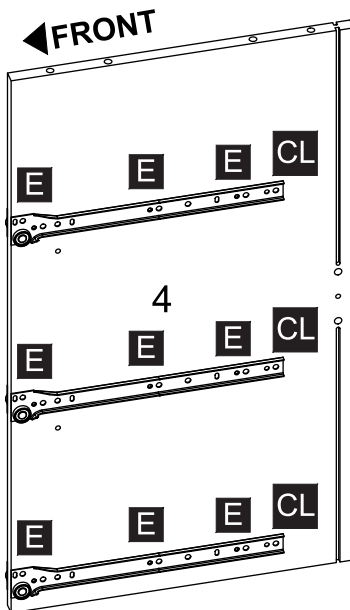
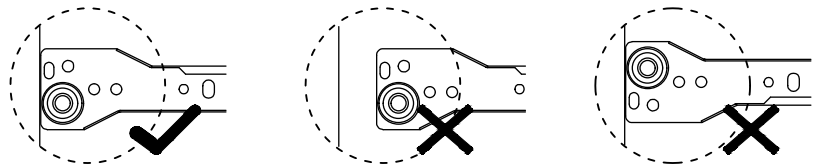


BOTTOM ▼

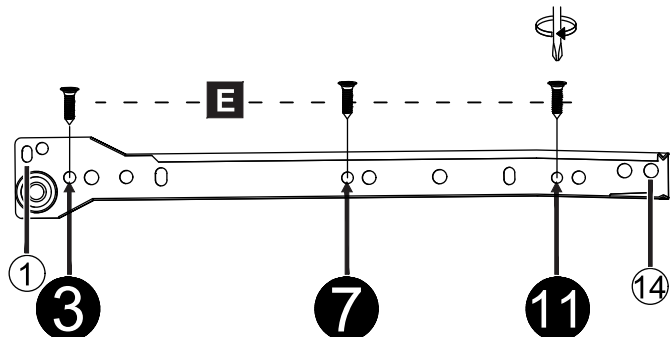
9 Left



TOP ▲

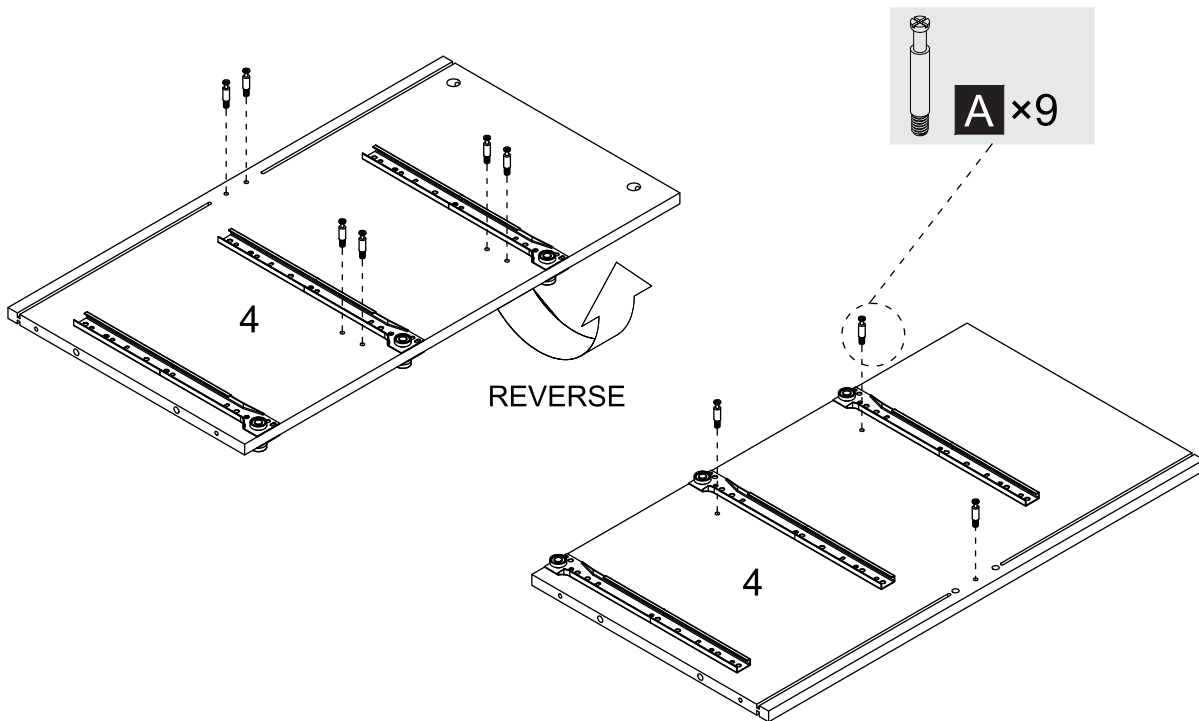
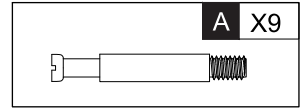


CL FRONT ◀

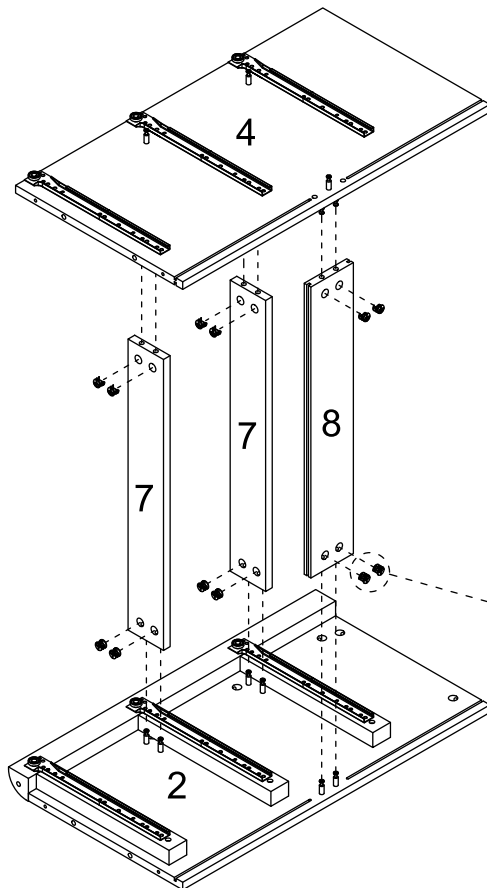
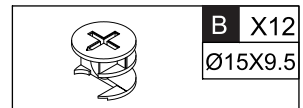


BOTTOM ▼

10



11





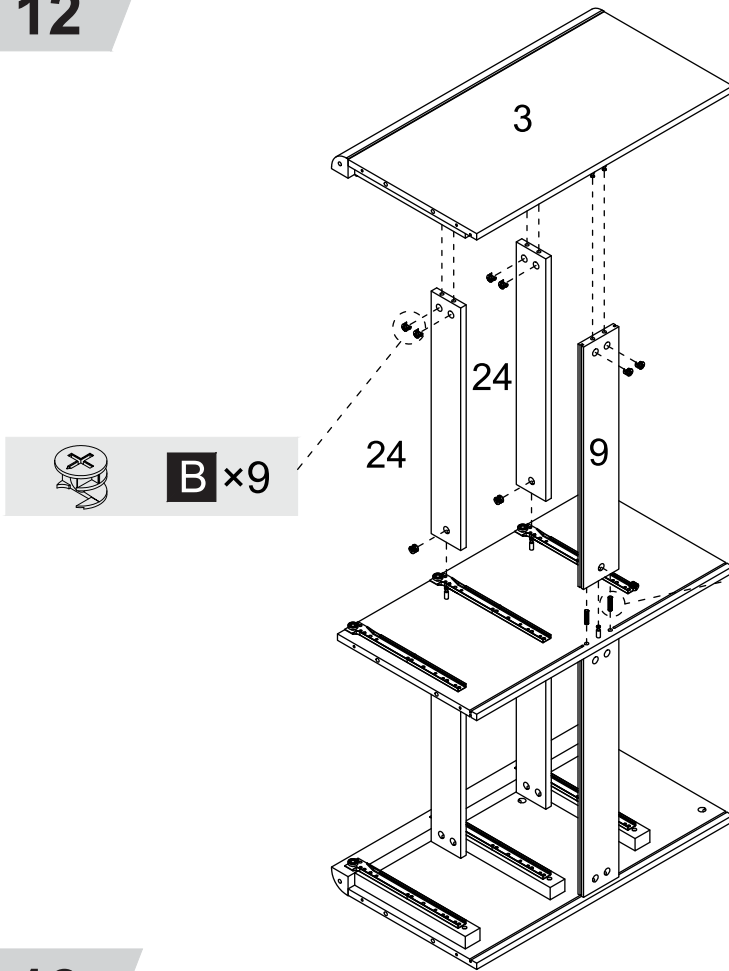
NOTES:

Two people are needed to collaborate on this assembly step.



12

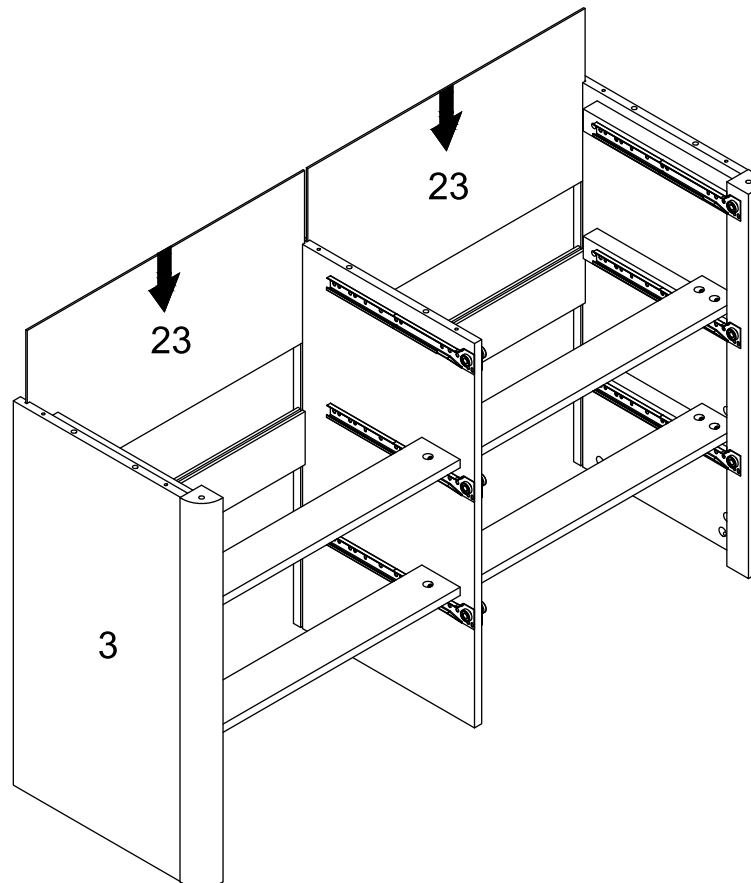
	B X9
	Ø15X9.5
	C X2
	Ø8X30



 **B** x9

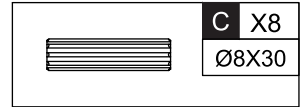
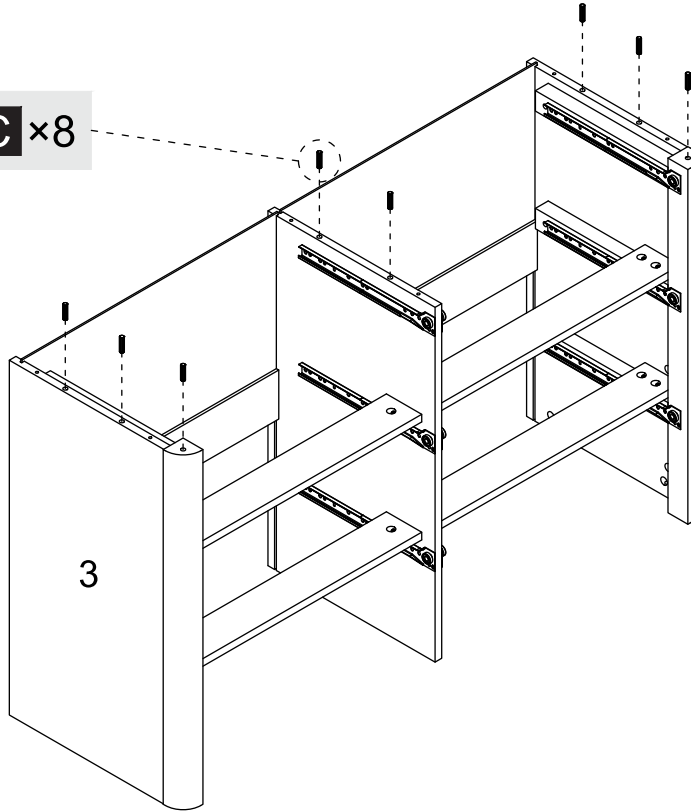
 **C** x2

13



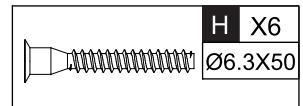
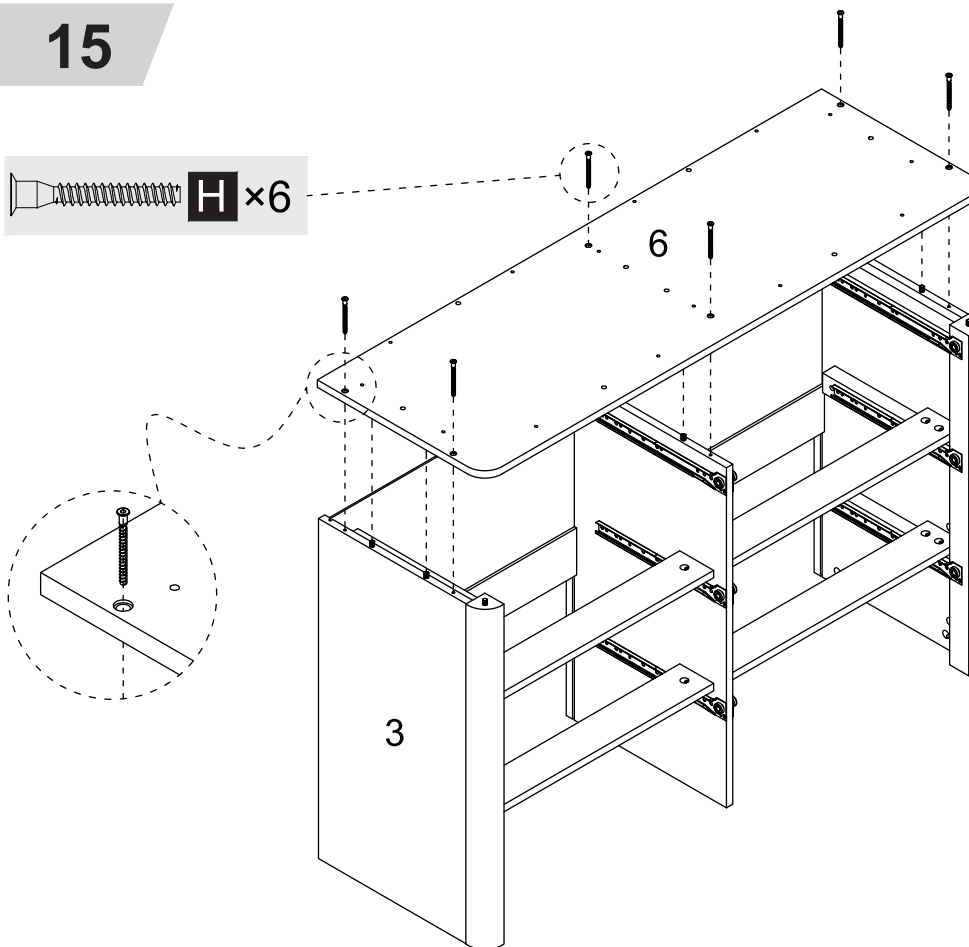
14

 **C** x8

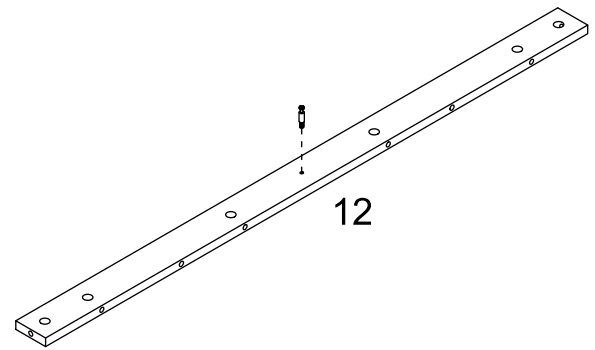
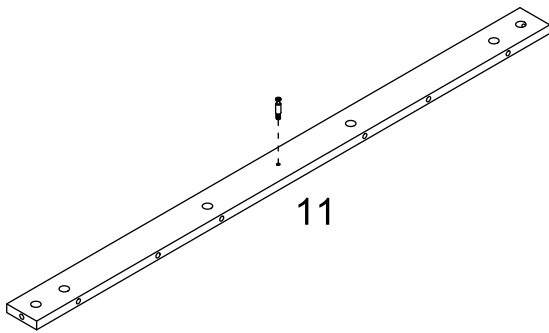
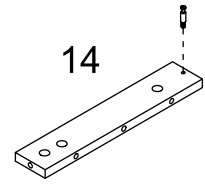
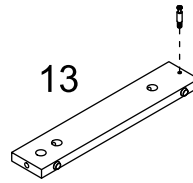
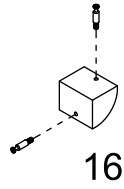
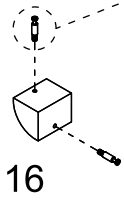
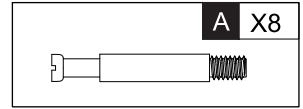
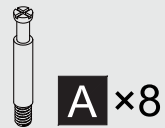


15

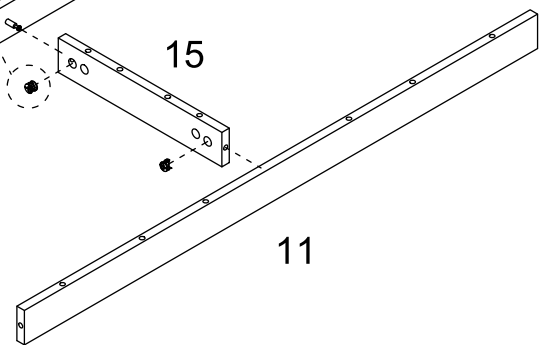
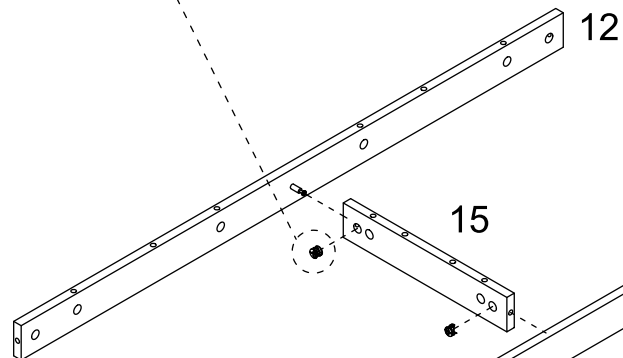
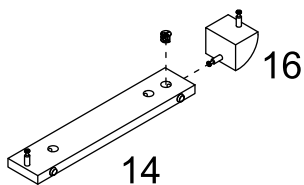
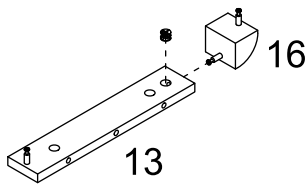
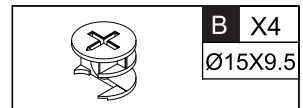
 **H** x6



16

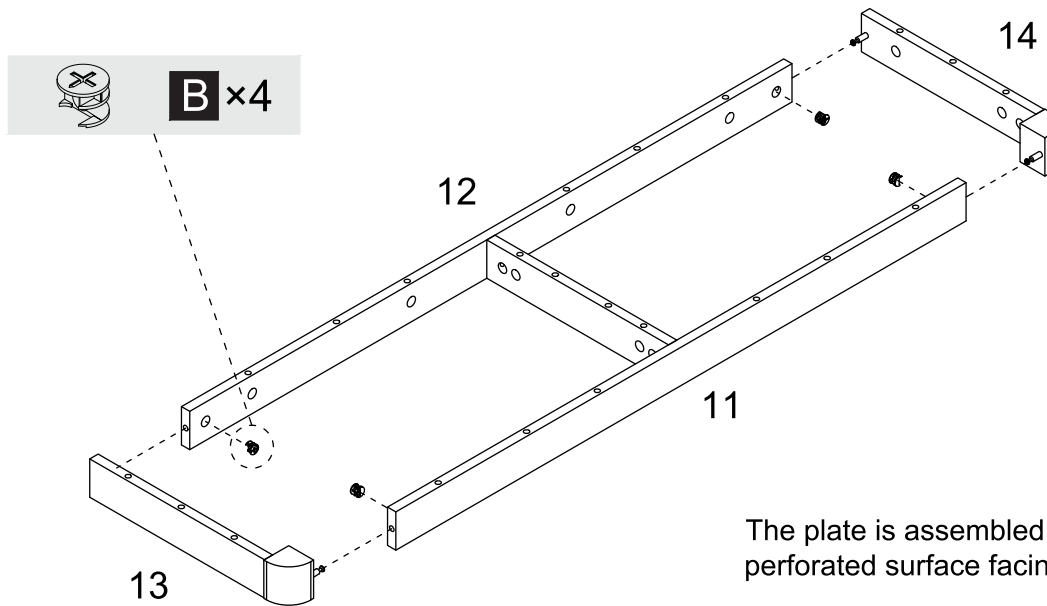
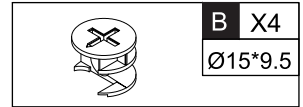


17



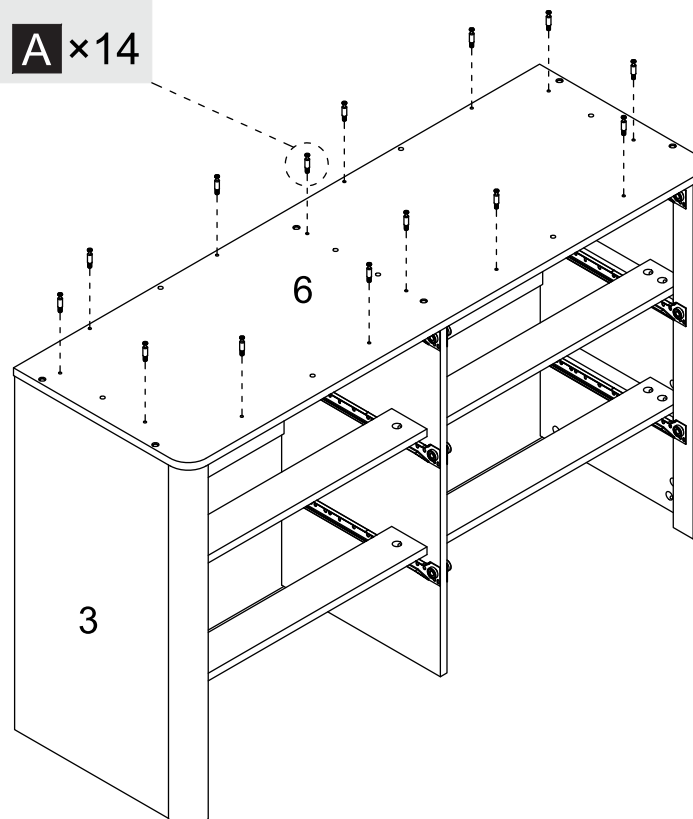
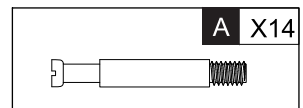
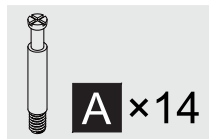
The plate is assembled with a perforated surface facing up.

18





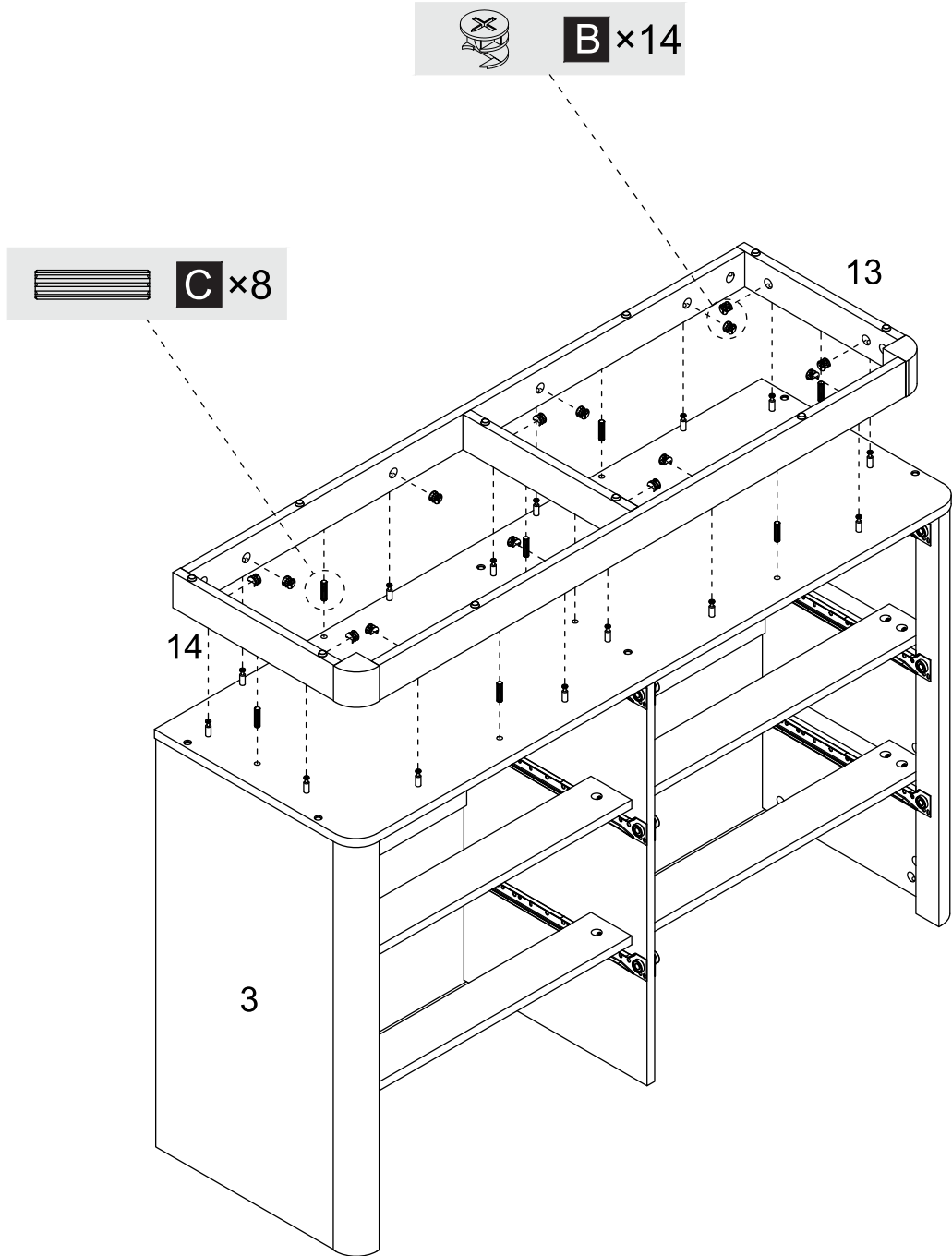
The plate is assembled with a perforated surface facing up.

19

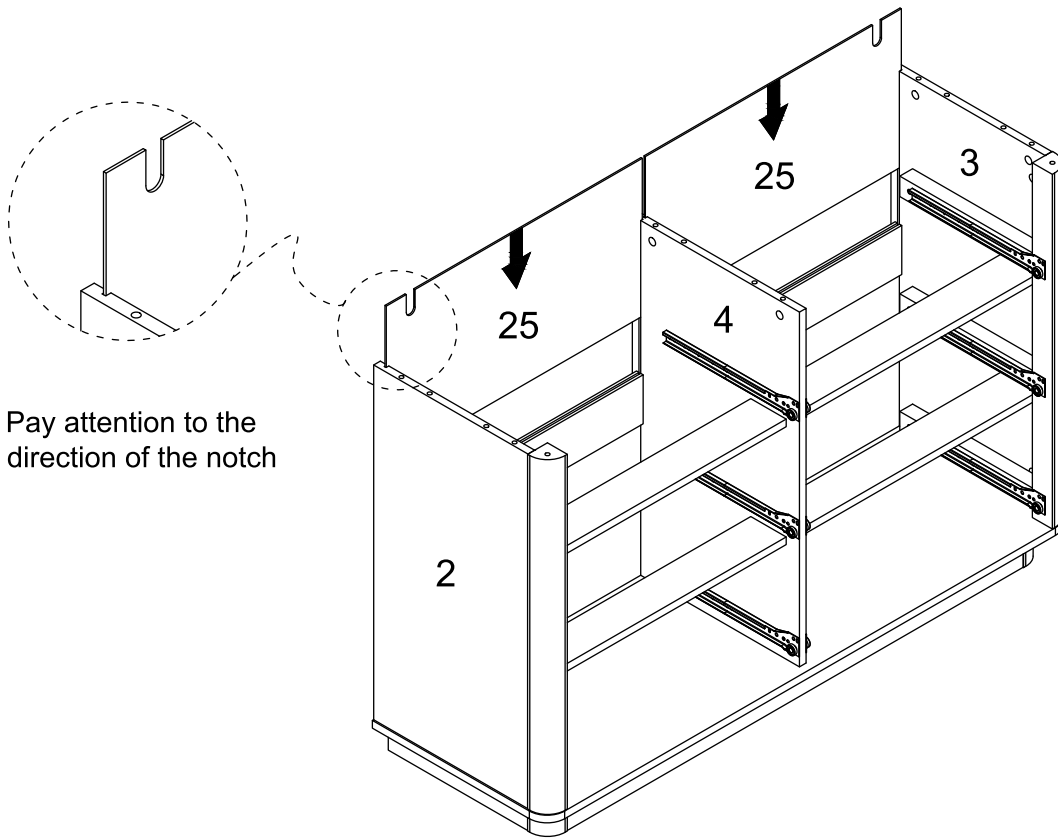


20

	B X14		C X8
	Ø15X9.5		Ø8X30

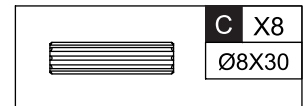
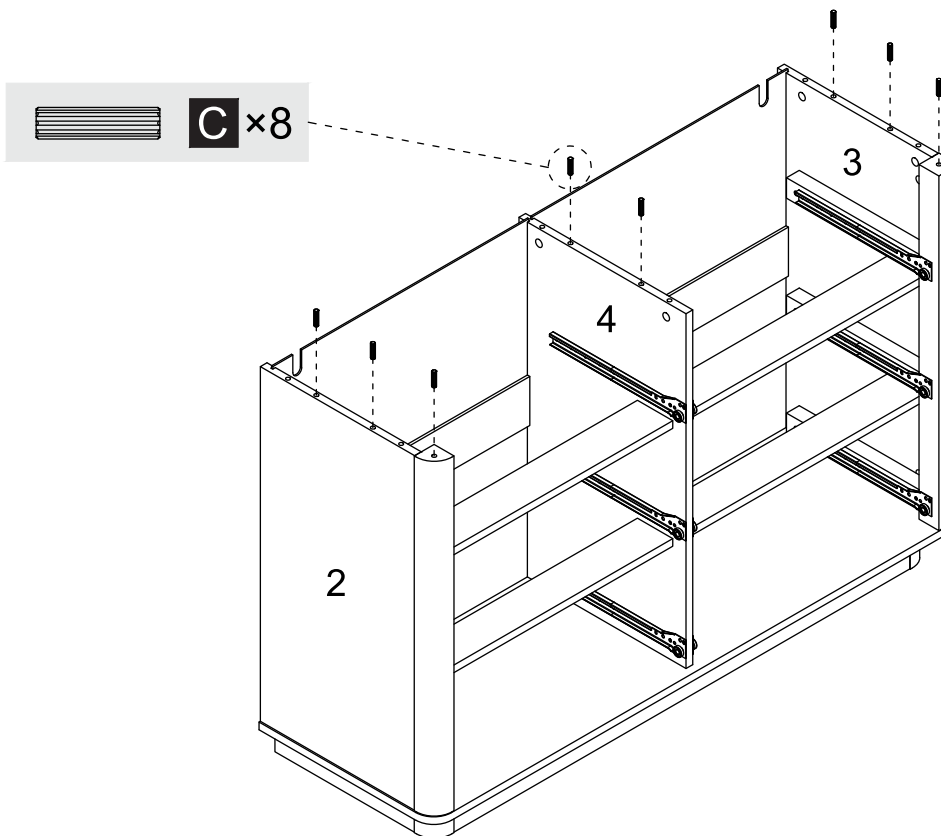


21

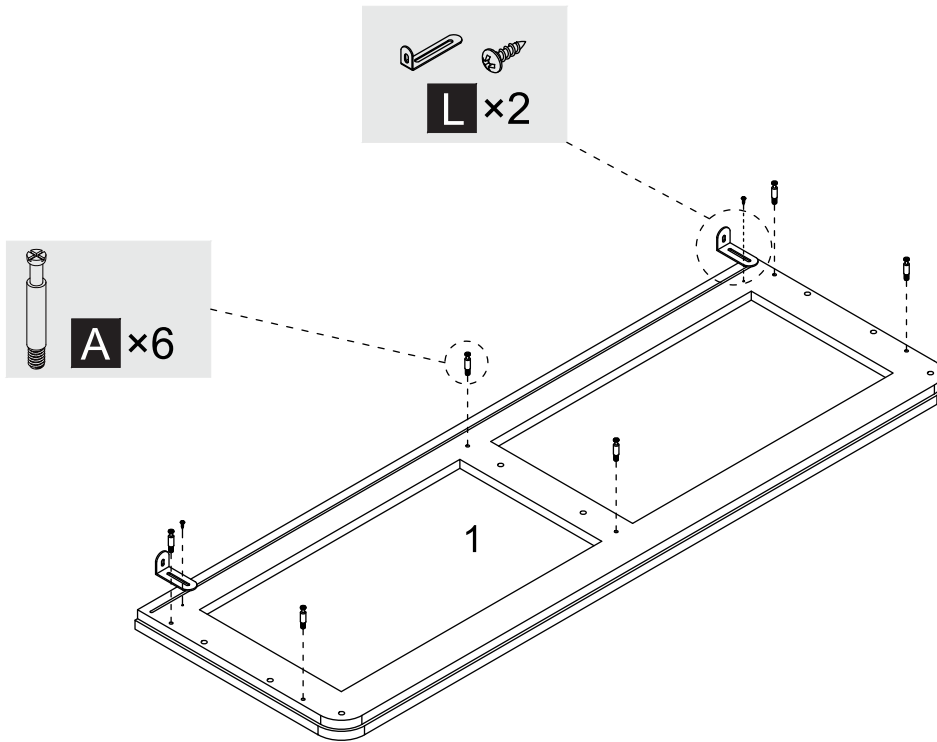
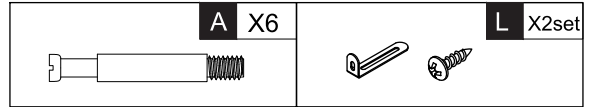


Pay attention to the direction of the notch

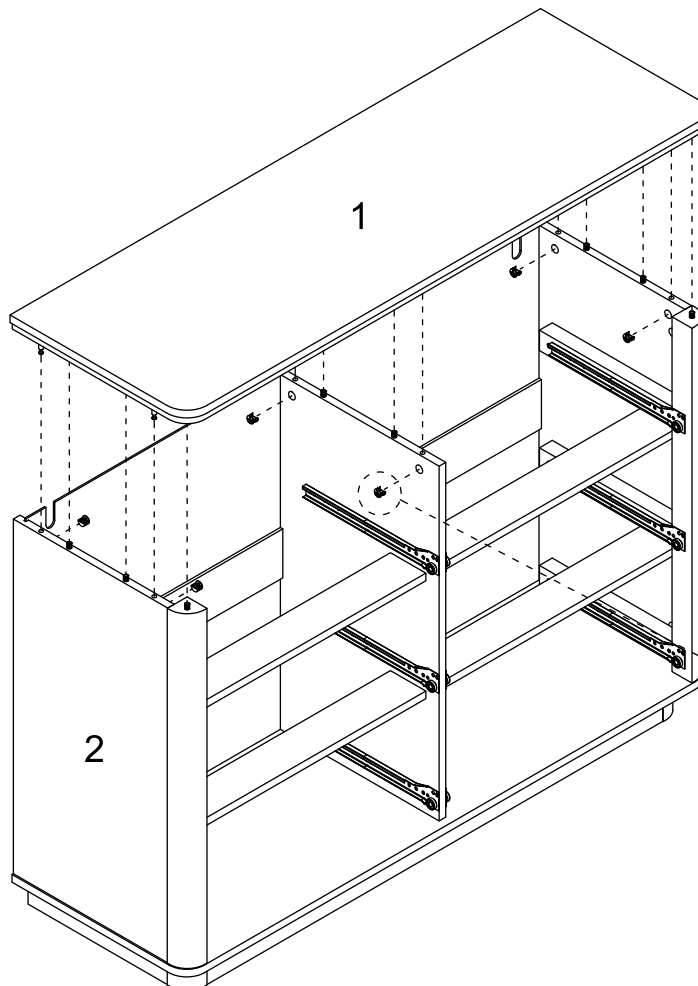
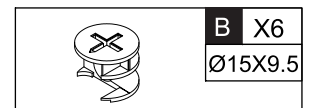
22



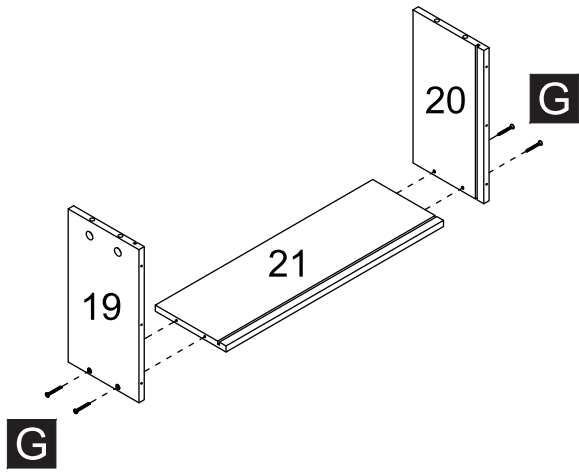
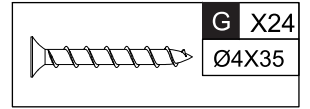
23



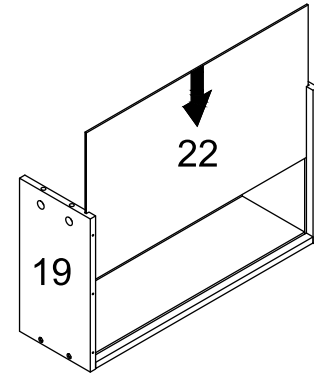
24



25

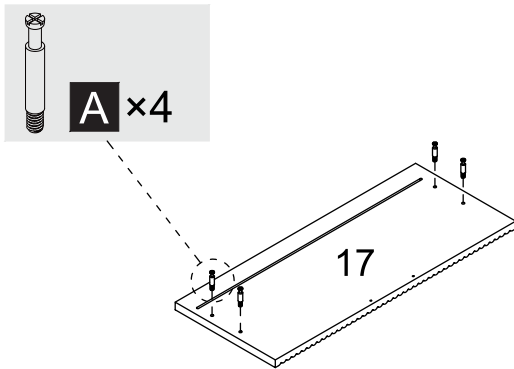
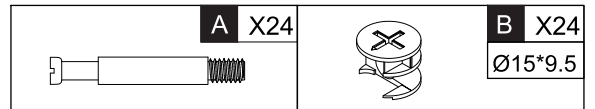


X6

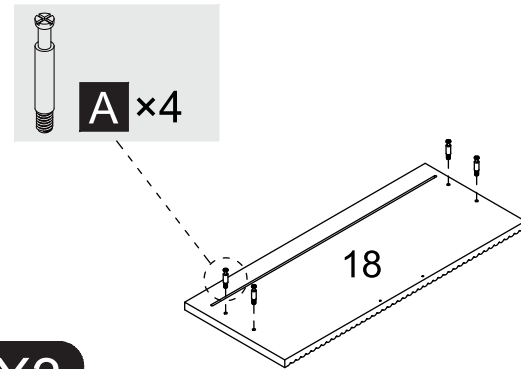


X6

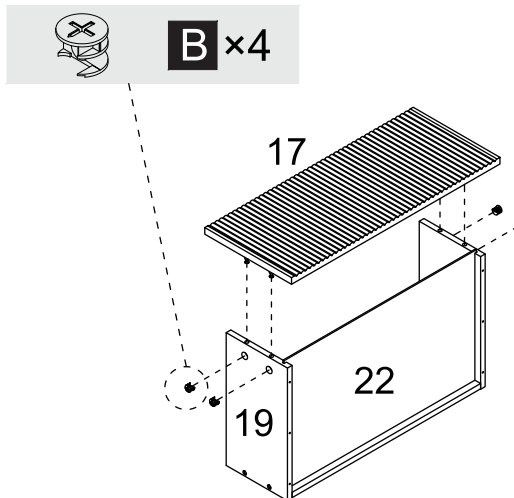
26



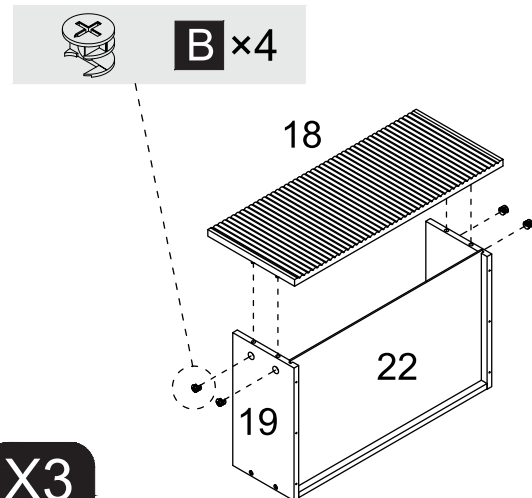
X3



X3

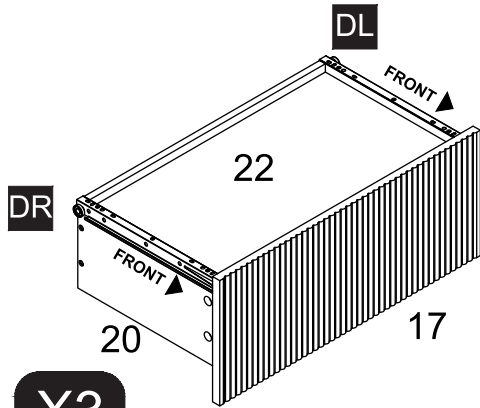
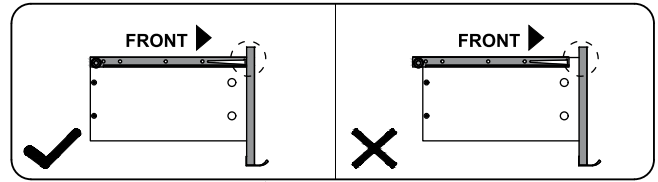
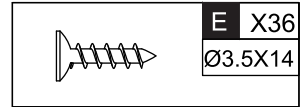


X3

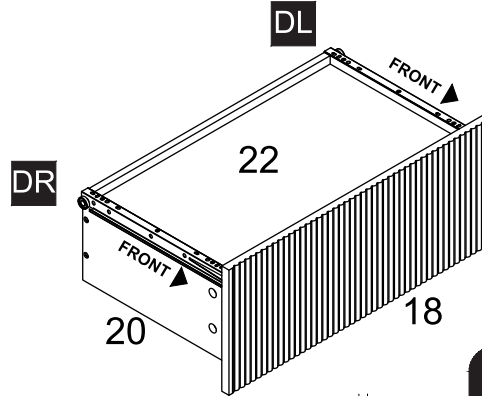


X3

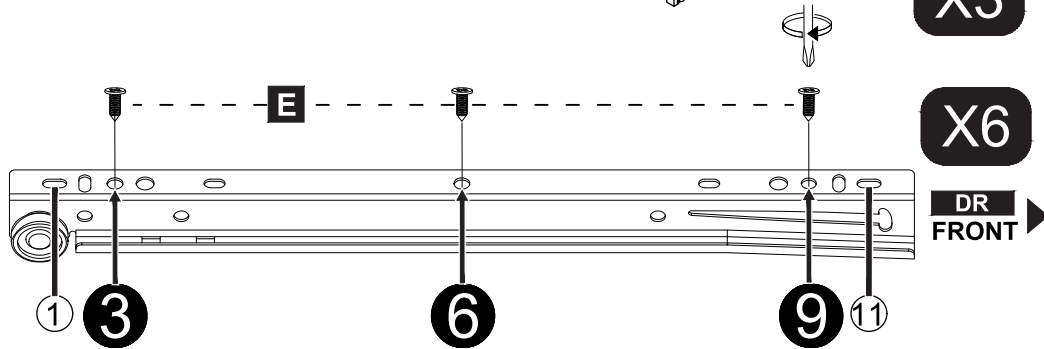
27



X3

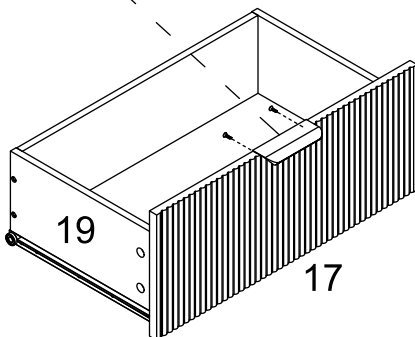
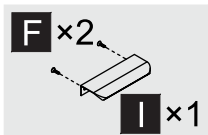
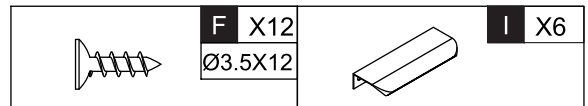


X3

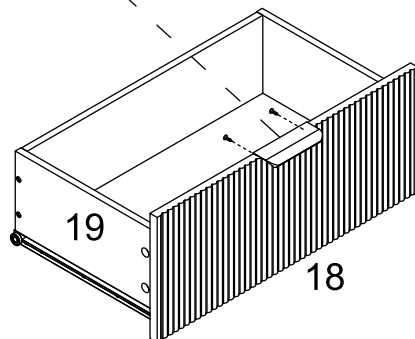
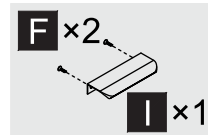


X6

28

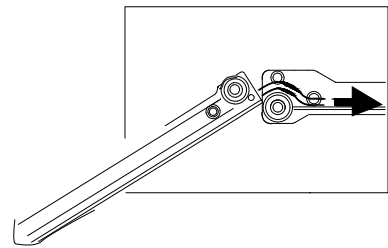
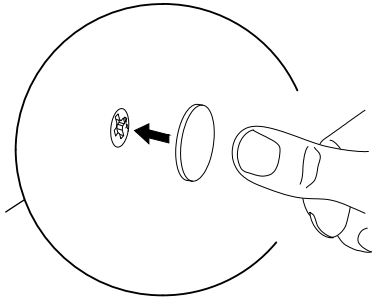
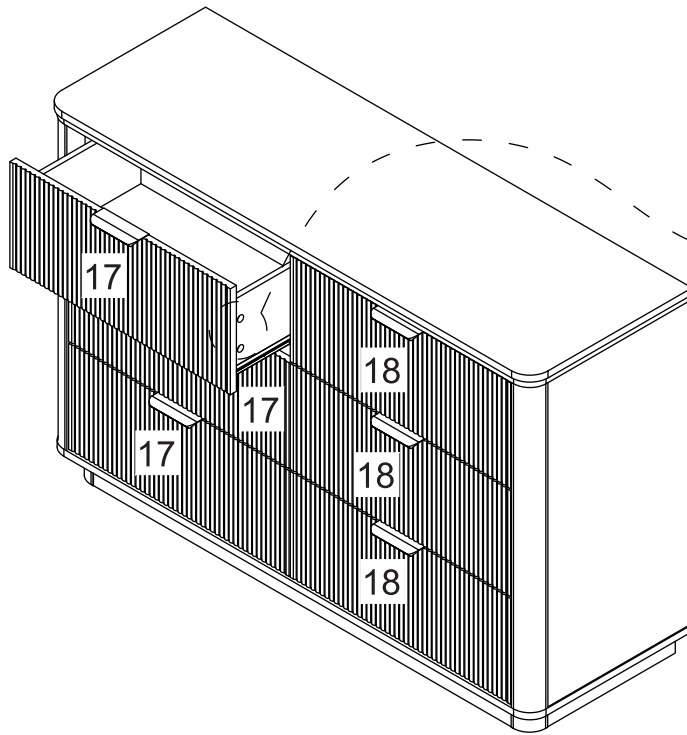
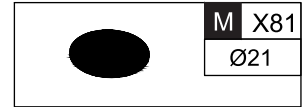


X3

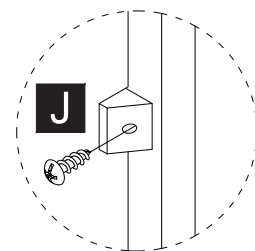
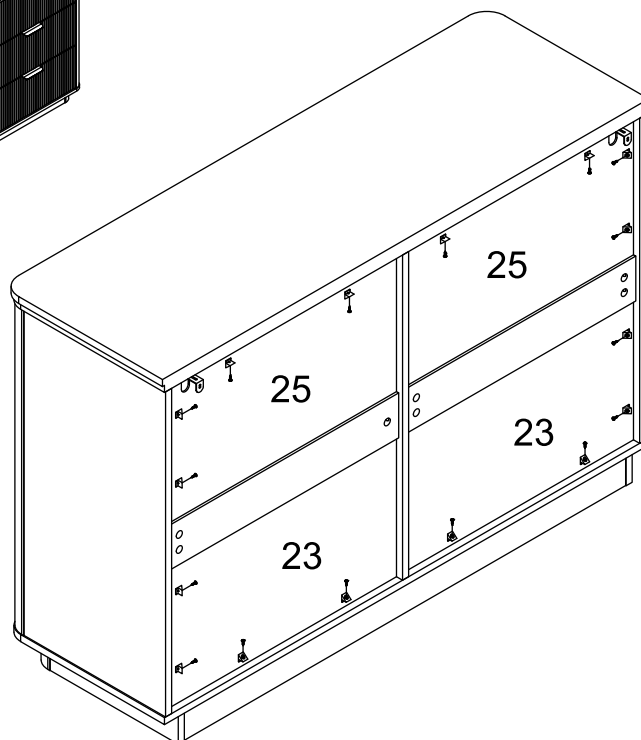
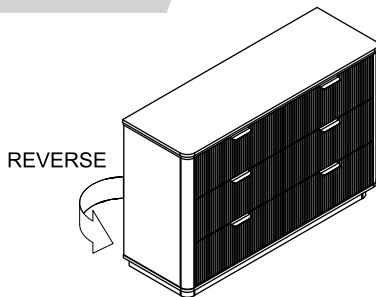
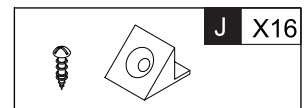


X3

29

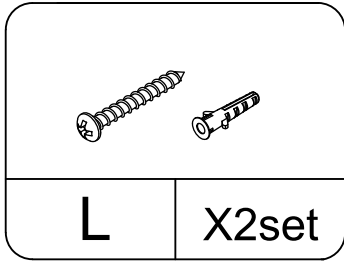


30



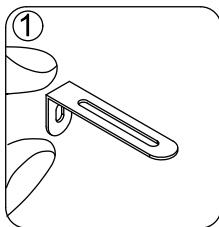
! WARNING

ANTI-TIPPING DEVICE

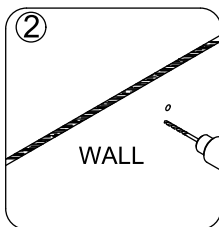


Note: Toppling preventer must be installed otherwise there is a risk of tipping

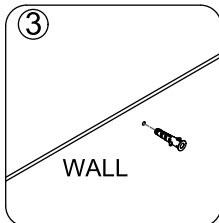
Install the tipping restraint hardware



1. make mark on the wall



2. drill one Ø6 holes on the wall



3. put one anchors in the holes

