

Instruction Manual



INFORMATION AND PACKAGE

Specification	
Voltage	110-120V
Bulb Socket	E26
Wattage	40W
Bulb Type	Incandescent, Halogen Bulb
Warranty	2 Years

Package List	
ceiling tray and hanging chain	1
paper rattan shade	1
cloth cover	1
lamp holder	1
Soft light plate	1
Instructions and accessories	1

A LETTER TO MY PRECIOUS CUSTOMER

Dear Customer,

Thanks for choosing this light! If you have any issue when you receive it, please contact us directly . We will offer a proper solution ASAP once receive your message.

Basically, we provide online customer service during PDT 6:00pm~9:00pm (EDT 9:00pm~00:00am) from Monday to Friday.

So, do not hesitate to contact us during this time frame, we will reply to you in 30 mins!

- Customer Support Team -

QUESTION & ANSWER

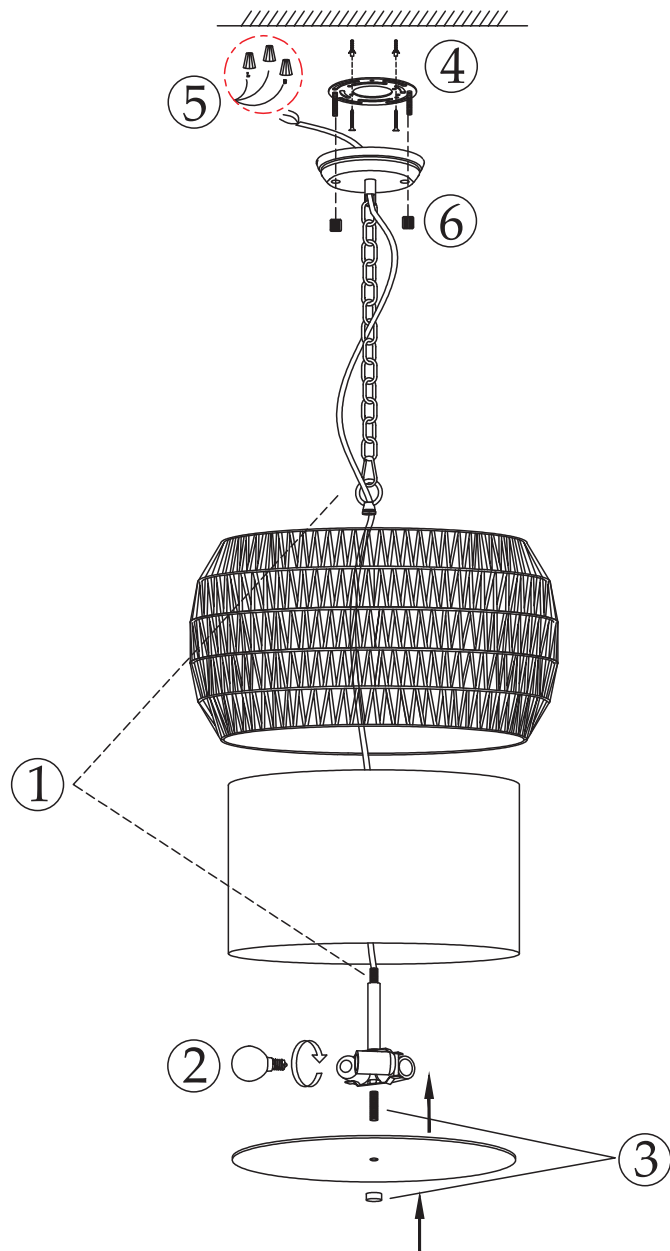
Q: After powering on, my lamp doesn't work . What should I do?

A: Please check whether the lamp is really powered on and the switch is on. Please make sure the light bulb you are using is the good one.

Please check whether the copper pieces inside the bulb socket contacts well with your bulb.

None of these 3 worked? Just feel free to contact us for a replacement.

Display of Installation



1. Use the wire on the lamp holder to pass through the cloth cover, the paper rattan cover in turn, Use the iron ring to fix the cloth cover, the paper rattan cover and lamp holder, and then fasten the hanging chain back to the iron rings after fixing.



2. Install 5 E26 bulbs



3. Remove the nut from the screw, Install the threaded rod under the lamp holder, tear off the films on both sides of the acrylic plate, and then install it at the lower end of the lamp cap with nuts.



4. Use the screws to mount the bracket on the junction box. (If you don't have a junction box, you can drill two holes in the wall and put in two expansion pellets, and finally fix the bracket with self-tapping screws)



5. Connect the "L" wire to your "live" wire through the orange terminal caps and the "N" wire to your "neutral" wire, the copper wire needs to be wrapped around the green screw on the iron plate.



6. Use the matching nut to fix the ceiling tray on the junction box.