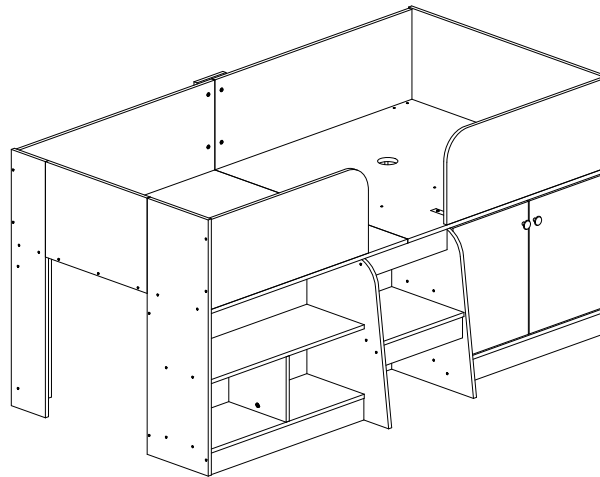


Assembly Instruction

3' BUNK BED

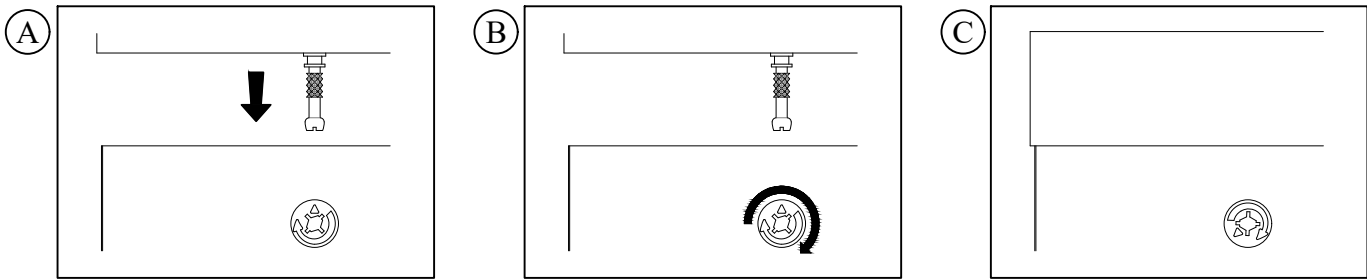


IMPORTANT

PLEASE READ BEFORE YOU CONTINUE FURTHER WARNING, CARE AND MAINTENANCE

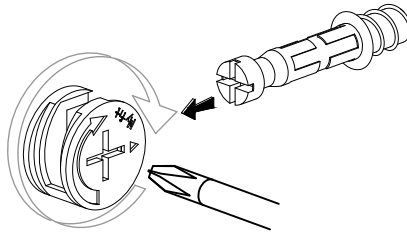
- Please ensure all fittings and parts are present before commencing with assembly.
- Never drag or push products as this could cause damage to the joints making it inferior.
- We strongly recommend that you keep children away from your work area.
- We recommend that you lay a blanket or sheet on the floor to avoid damage to both your floor and the product.
- Assemble this product as close to its final position as possible.
- Do not place this product next to a radiator or in direct sunlight.
- Do not drag or push items across this product as this may cause the surface to be scratched.
- Wood is a natural product and may expand if subjected to moisture and may shrink or crack if subjected to heat. Therefore, it is recommended that room temperature is maintained, with no sudden temperature fluctuations.
- Make sure any spillage is wiped off immediately.
- Do not place hot or chilled items directly on the surface, or product surface will be damaged.
- For general cleaning, use a dry, soft cotton or micro fibre cloth, and do not use detergents of any kind.
- From time to time, it may be necessary to tighten fittings. Regular inspections should be carried out.
- Do not place on a wet floor, it may result in stains on your floor.

Assembly Instruction



**Use a screwdriver to tighten the cam nuts as the sequence above.
A quarter turn clockwise is all that is needed.**

This is how a cam nut works:

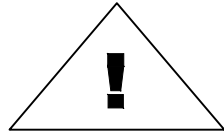


The head of the cam bolt goes into the open mouth of the cam nut.
You then turn the cam nut so it tightens over the bolt.

TWO PERSONS REQUIRED TO ASSEMBLE THIS PRODUCT

1. Please check that you have all parts listed before you start assembling. If you do find that something is missing, do not continue assembly. Please contact your supplier immediately.
2. Lay out all of the components on a soft surface as if you were preparing to do jigsaw puzzle.
3. Separate and identify each component from the hardware pack and rest each one in its proper location before fastening.

Assembly Instruction



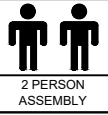
WARNING



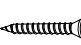




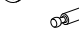
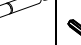



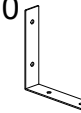

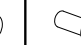
TO HELP PREVENT SERIOUS OR FATAL INJURIES FROM ENTRAPMENT OR FALLS: Safety Warnings:



1. Always use the recommended size mattress or Mattress support, or both, to prevent the likelihood of entrapment or falls. The size mattress to be used with this child bed is 920 x 1910 x160mm.
2. Ensure thickness of mattress does not exceed 6" (160mm).
3. Surface of mattress must be at least (160mm) below the upper edge of guardrails.
4. **WARNING** : This bed is not suitable for children under six years due to the risk of injury from falls.
5. **WARNING** : Bunk beds / high beds can present a serious of injury from strangulation if not used correctly. Never attach or hang items to any part of the bunk bed / high bed that are not designed to be used with the bed, for example, but not limited to ropes, strings, cords, hooks, belts and bags.
6. **WARNING** : Children can become trapped between the bed and the wall, a roof pitch, the ceiling, adjoining pieces of furniture (e.g.cupboards) and the like. To avoid risk of serious injury the distance between the top safety barrier and the adjoining structure must not exceed 75mm or must be more than 230mm.
7. **WARNING** : Do not use this bunk bed / high bed if any structural part is broken or missing. Contact manufacturer or dealers for replacement parts.
8. The ventilation of the room is necessary in order to keep the humidity low and to prevent mould in and around the bed.
9. Prohibit more than one person on upper bunk.
10. Always use the ladder for entering and leaving the upper bunk.
11. Always use guardrails on both long sides of the upper bunk. If the bunk bed will be placed next to the wall, the guardrail that runs the full length of the bed should be placed against the wall to prevent entrapment between the bed and wall.
12. The use of water or sleep floatation mattress is prohibited.
13. Keep these instructions for future references.

Assembly Instruction

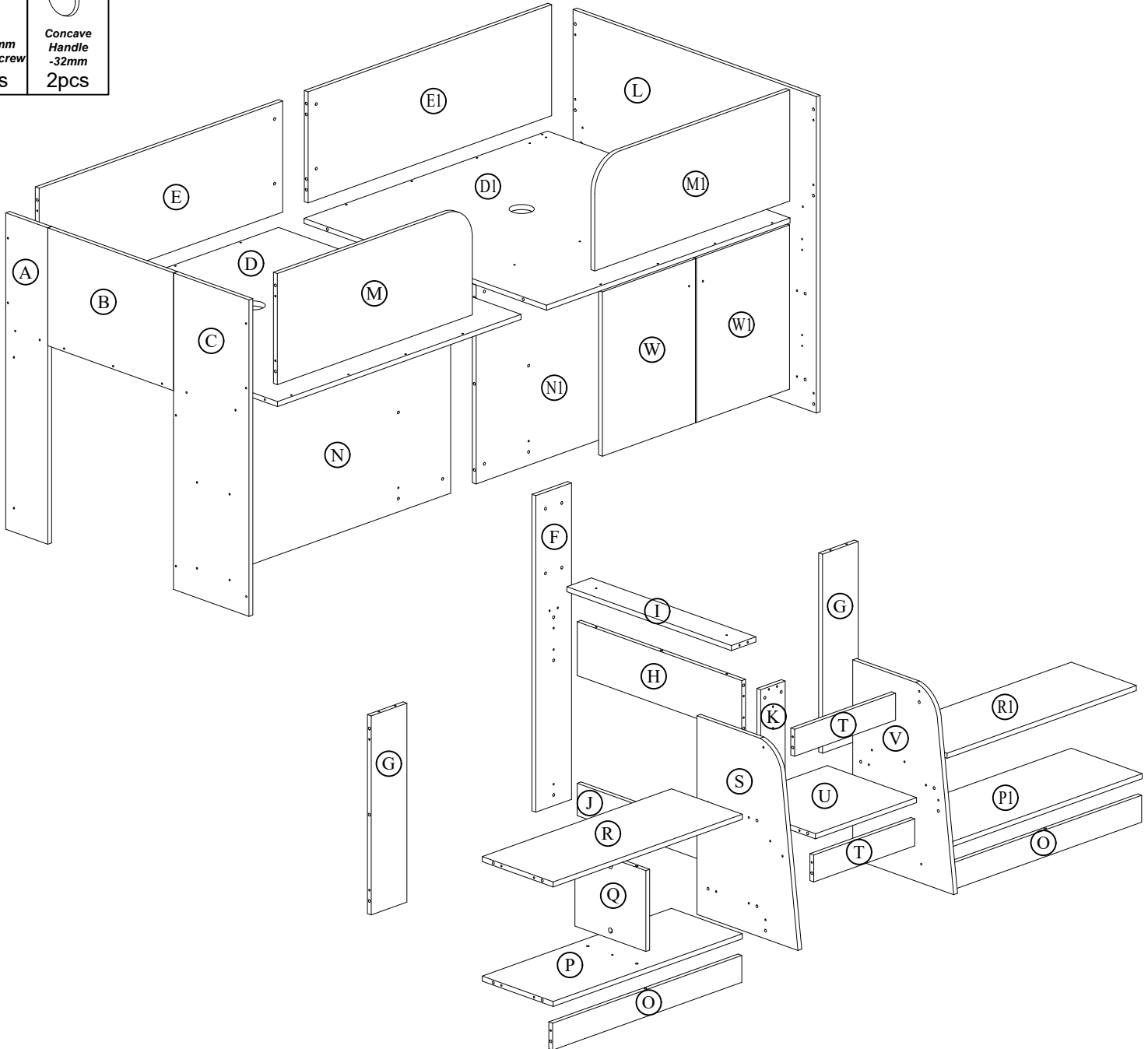
3' BUNK BED



1  8 x 30mm 80pcs	2  3.5 x 14mm 8pcs	3  M6 x 40mm 100pcs	4  TP 10#x1/2" Screw 16pcs	5  Seal Sticker Ø18mm 114pcs	6   6a 6b 10MM x Ø15MM Minifix 2 Sets	7   7a 7b 10MM x Ø15MM Minifix Cam Minifix Stick 6 Sets	8  Allen Key M4 1pc	9   9a 9b 7/8" (In) 4 Sets	10  L-Bracket 26x120x120mm 2 pcs	11  JCBC - Bolt M6x25mm 8pcs	12  M6x20mm JCN Nut 8pcs
--	--	---	---	---	---	--	--	---	---	---	---

13  M4x25mm Handle Screw 2pcs	14  Concave Handle -32mm 2pcs
---	---

PART LIST



Manufactured for :

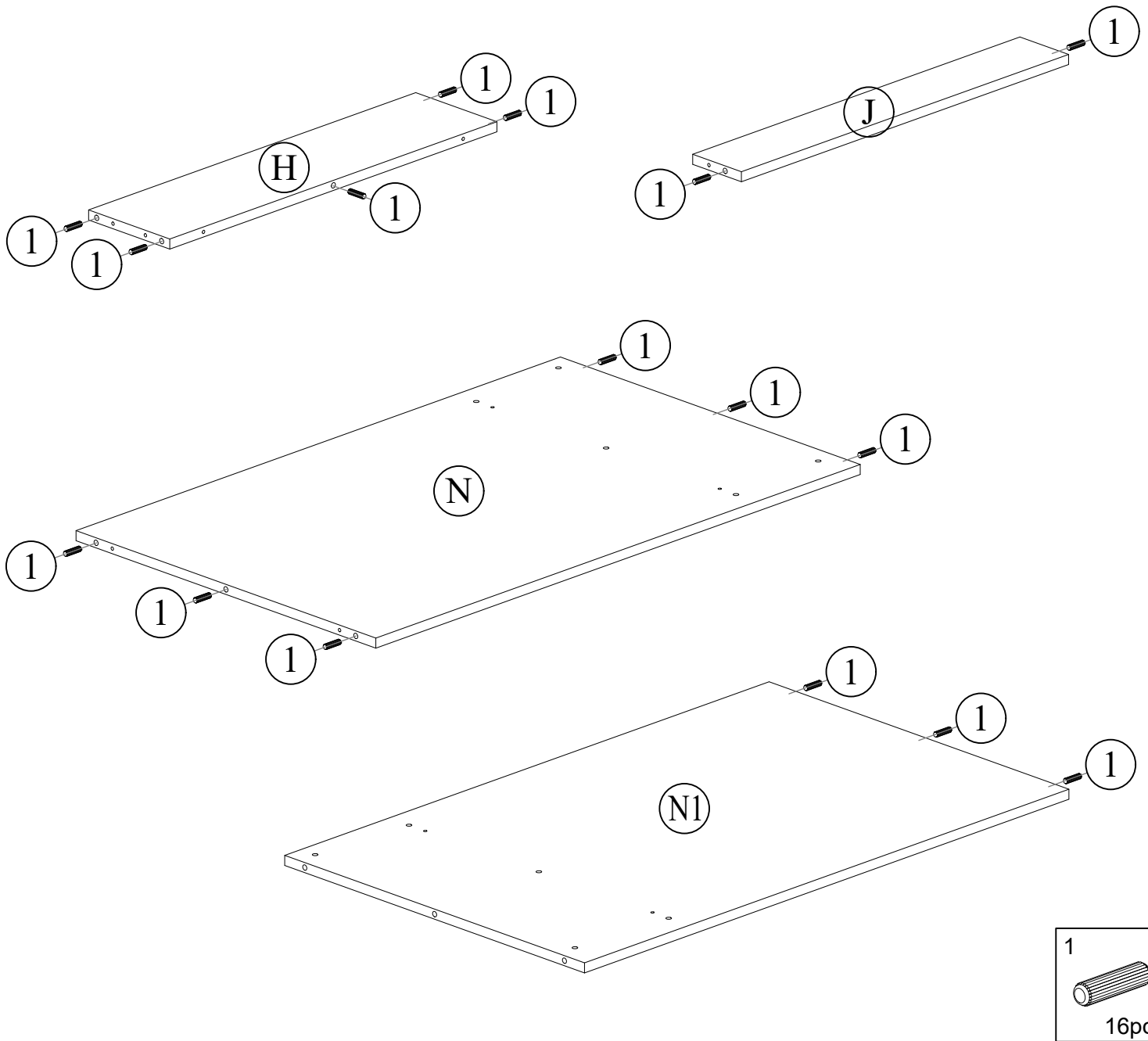
Trade Beds Direct LTD

Unit 1A, Rookery Business Park Besthorpe, NR17 2LD, United Kingdom

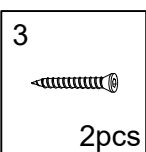
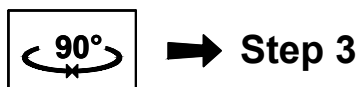
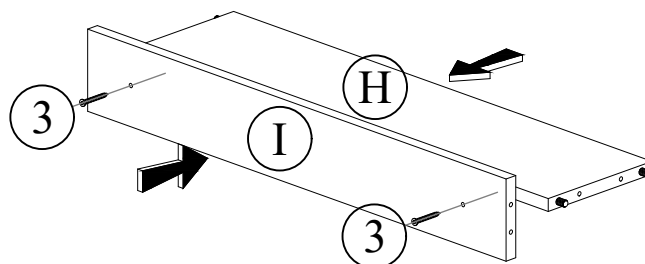
THIS BUNK'S CONFORMS TO BS EN 747-1:2024

Assembly Instruction

Step 1

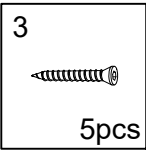
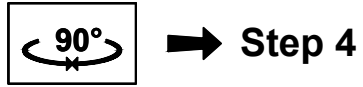
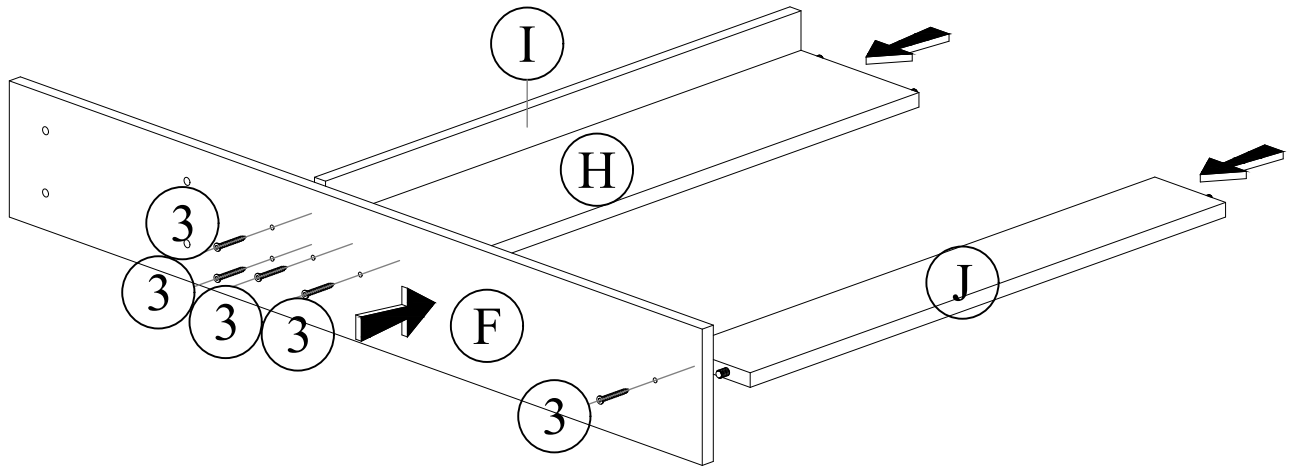


Step 2

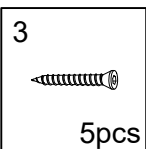
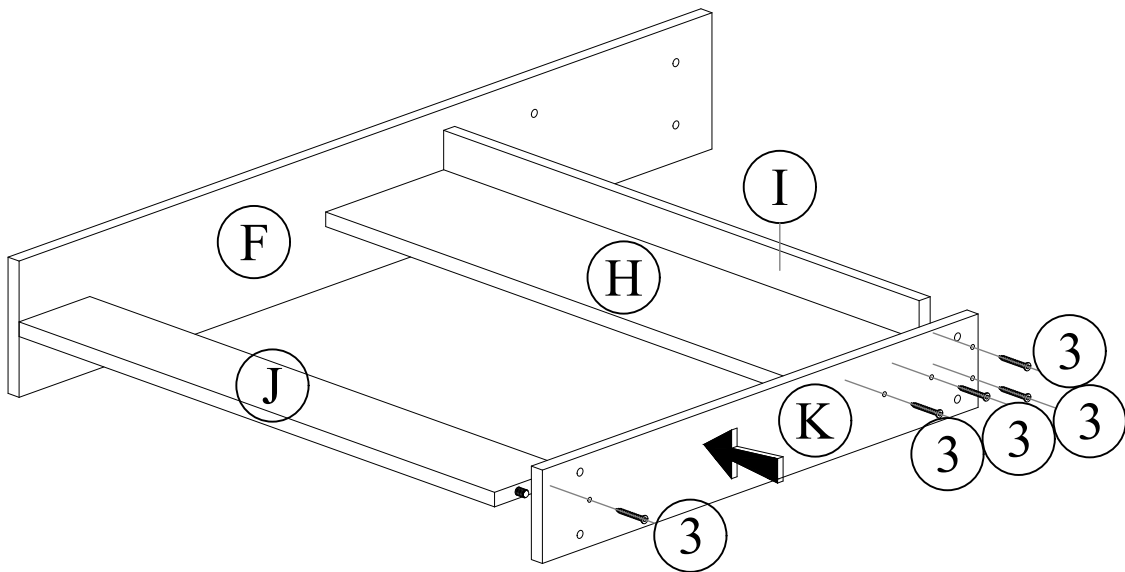


Assembly Instruction

Step 3

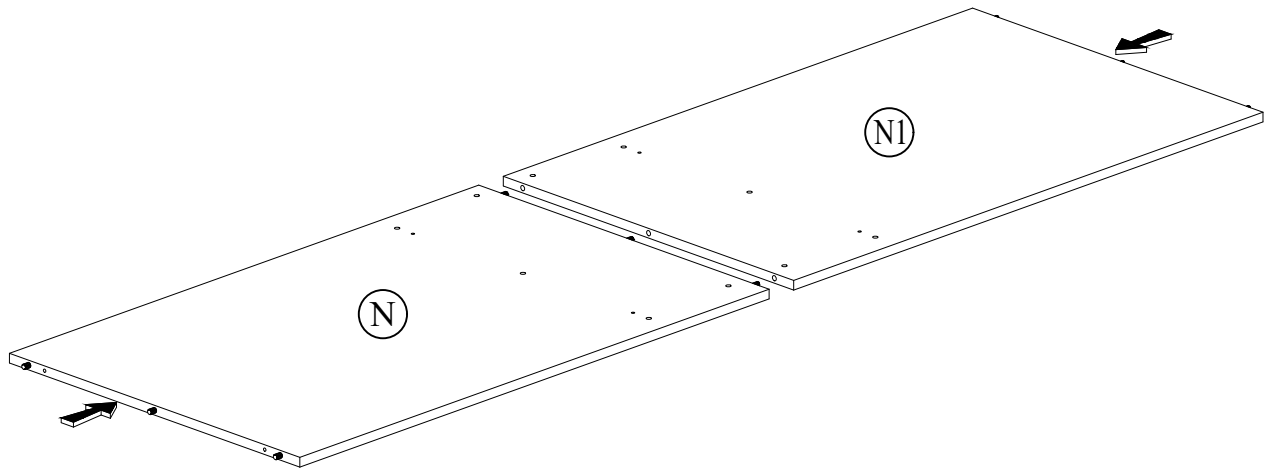


Step 4

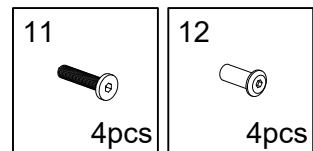
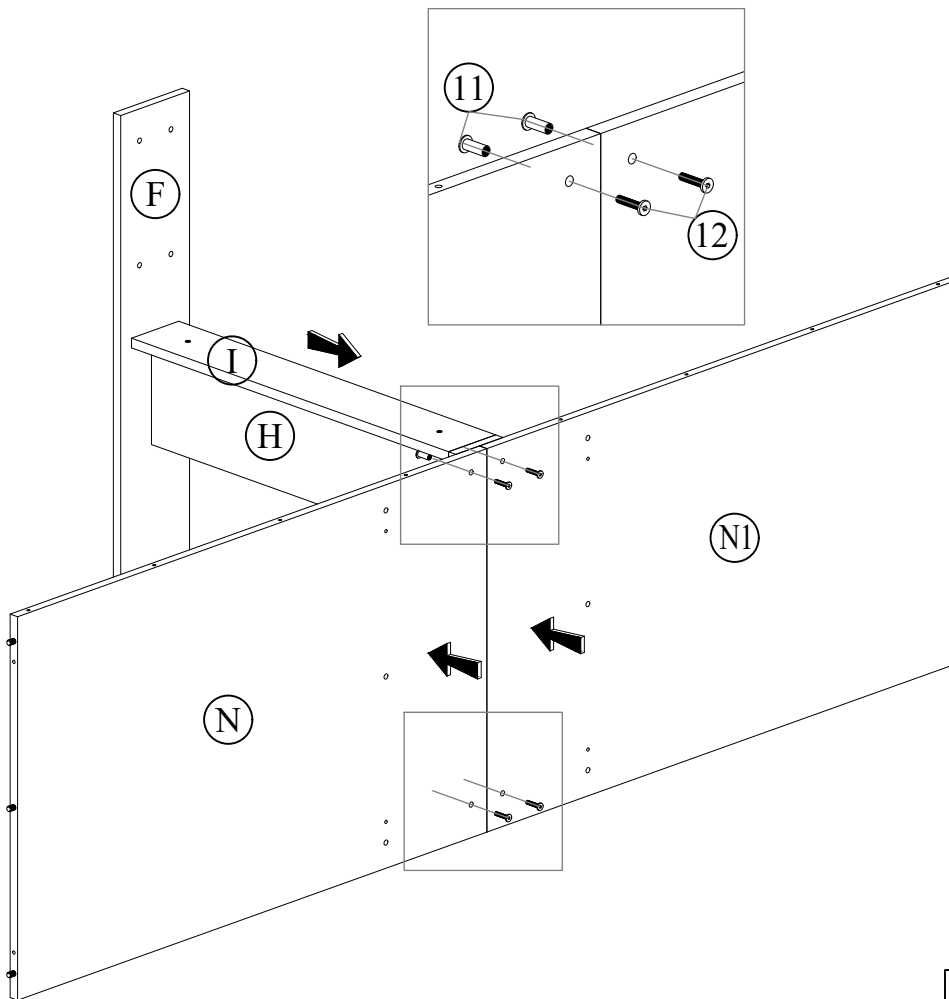


Assembly Instruction

Step 5

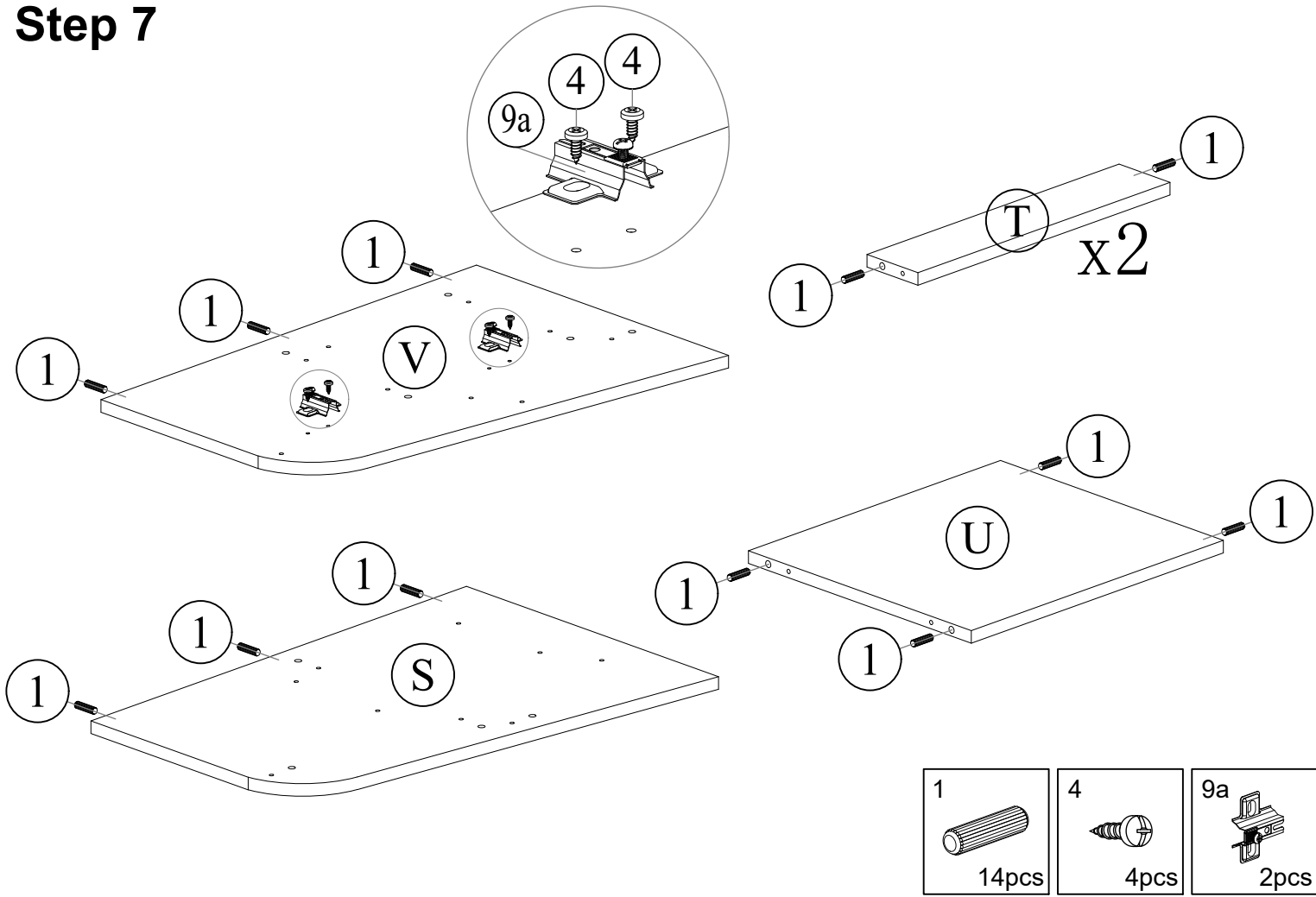


Step 6

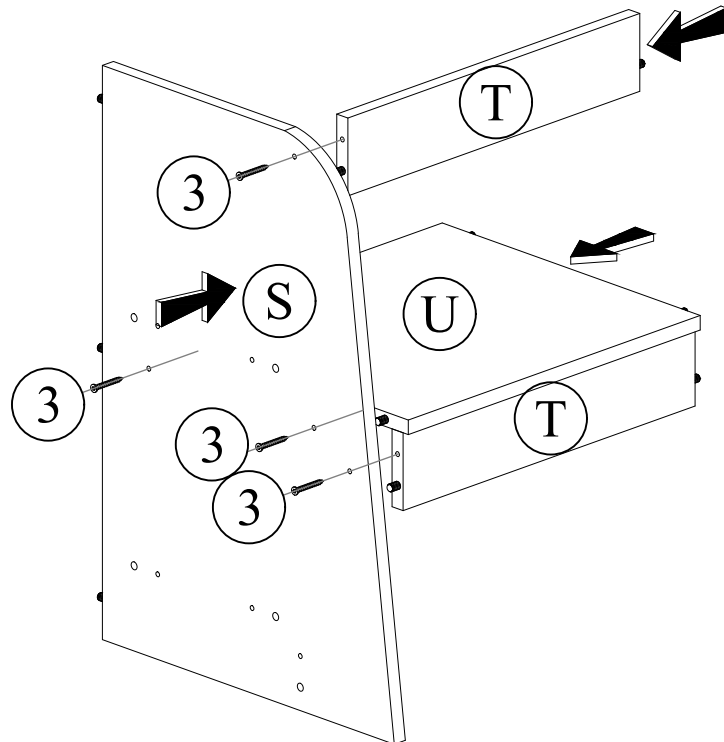



Assembly Instruction

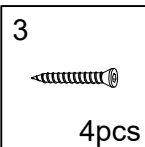
Step 7



Step 8

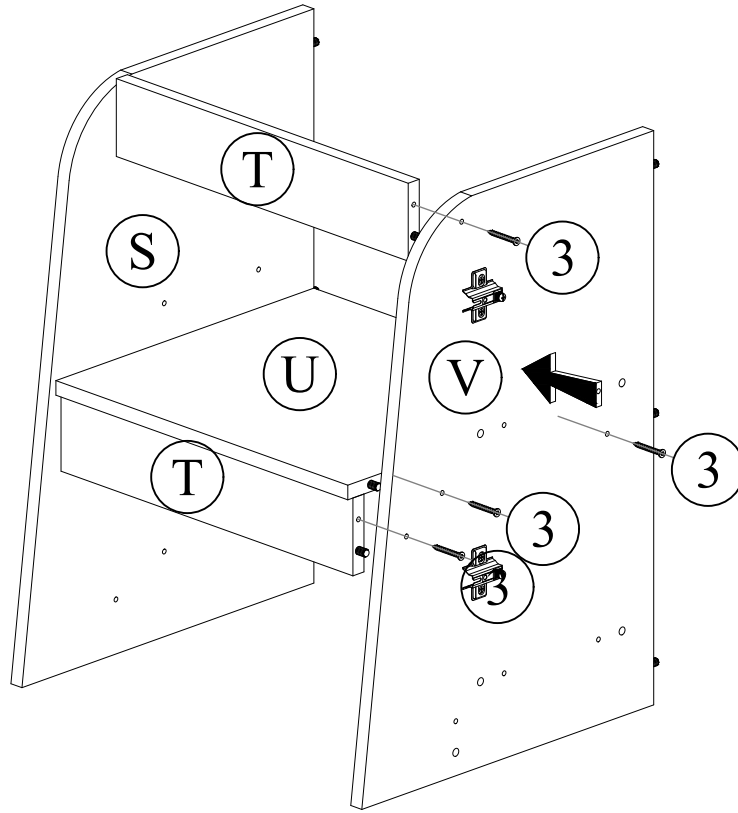


 **Step 9**

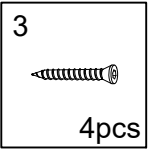


Assembly Instruction

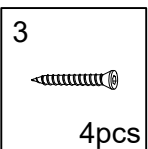
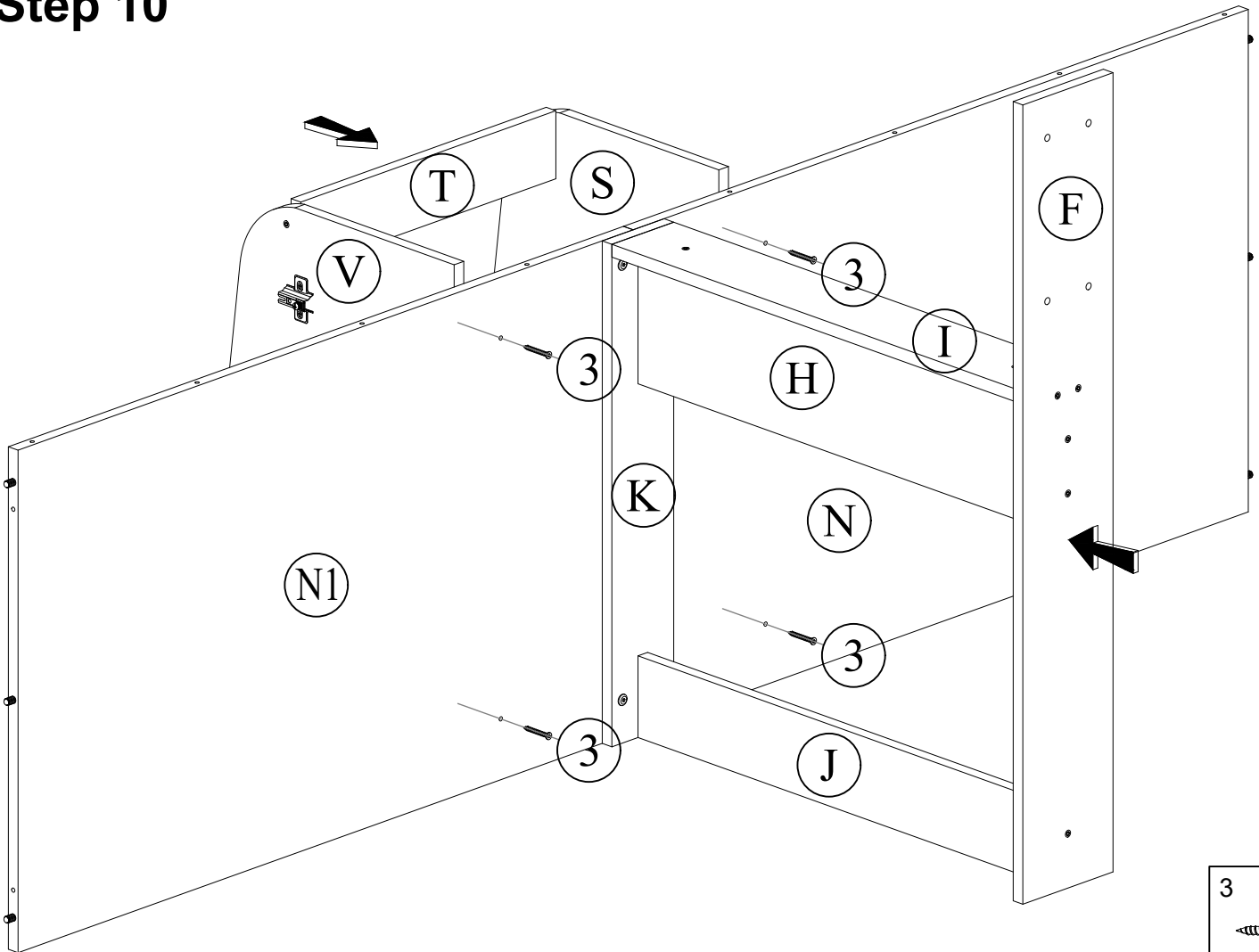
Step 9



90° → Step 10

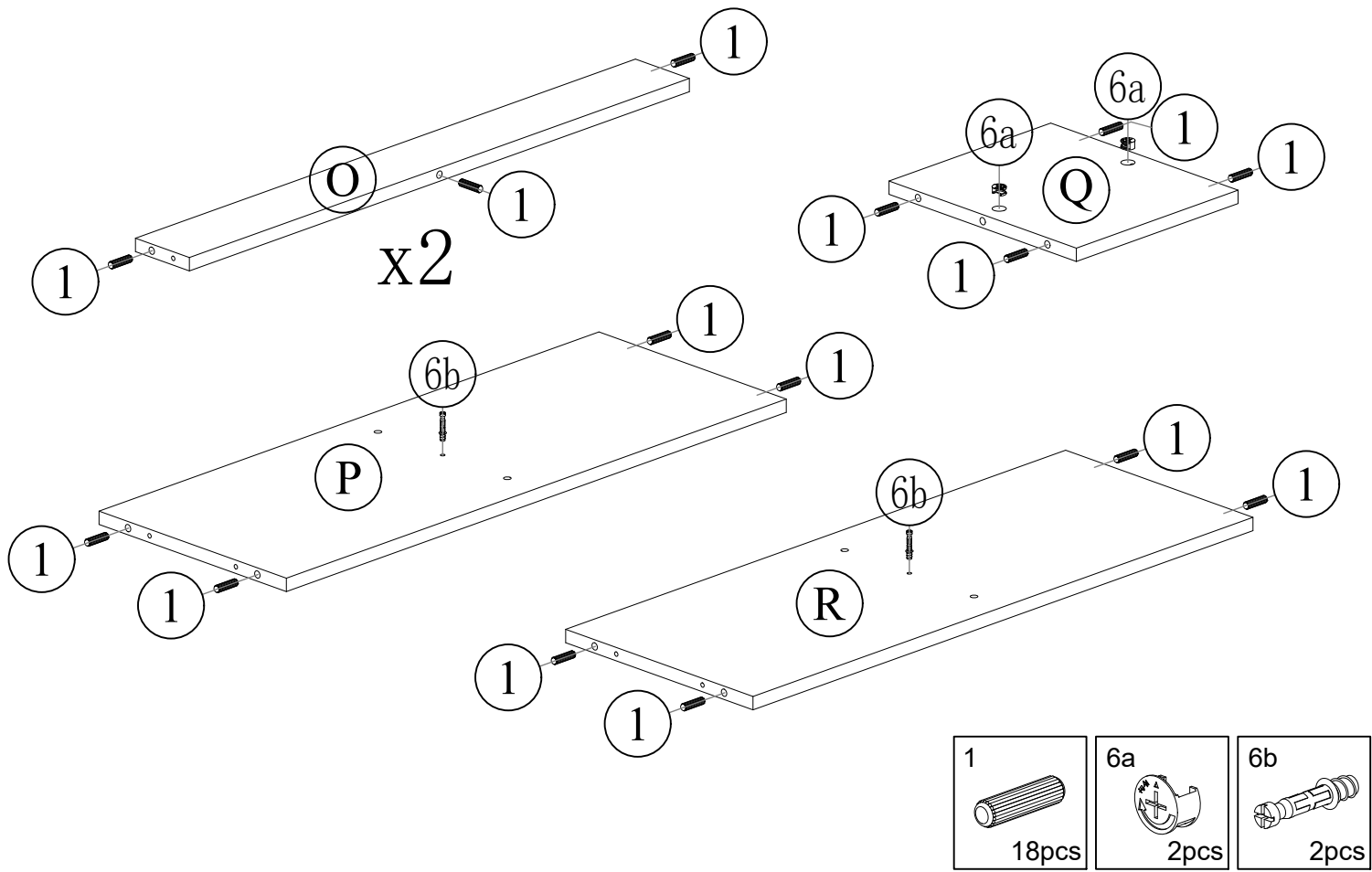


Step 10

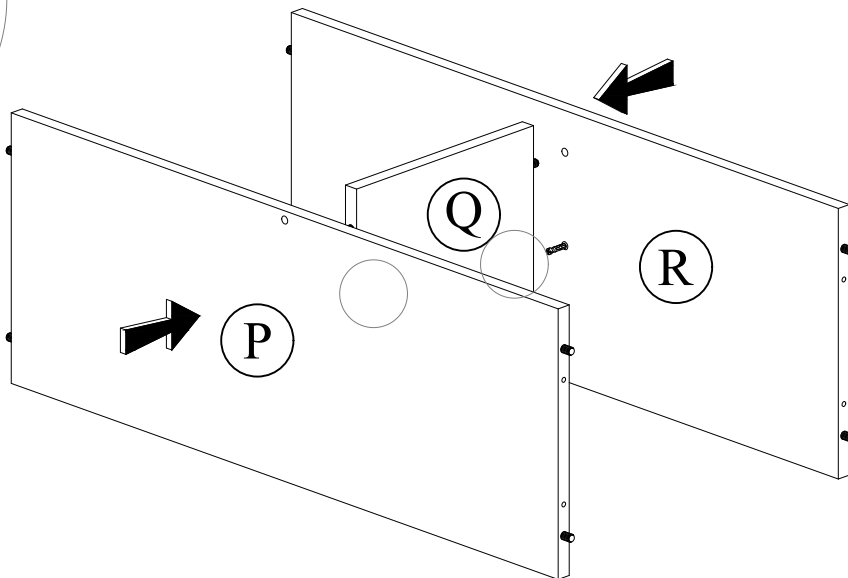
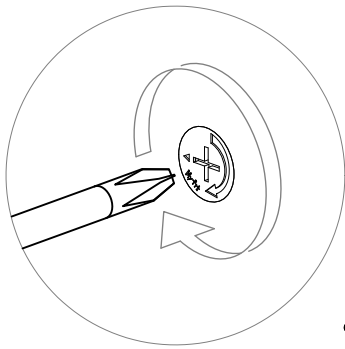


Assembly Instruction

Step 11

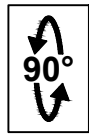
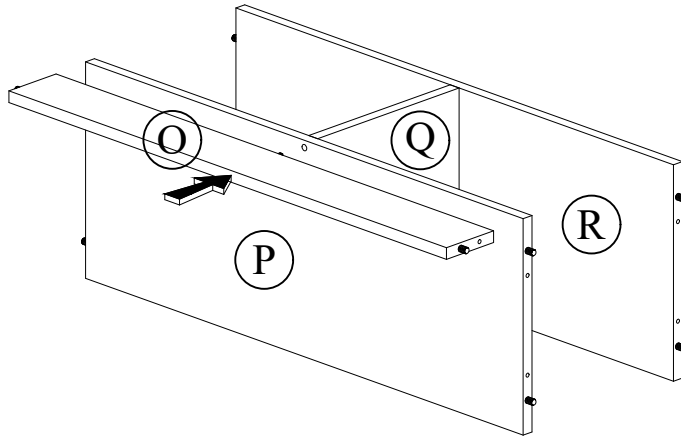


Step 12



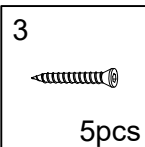
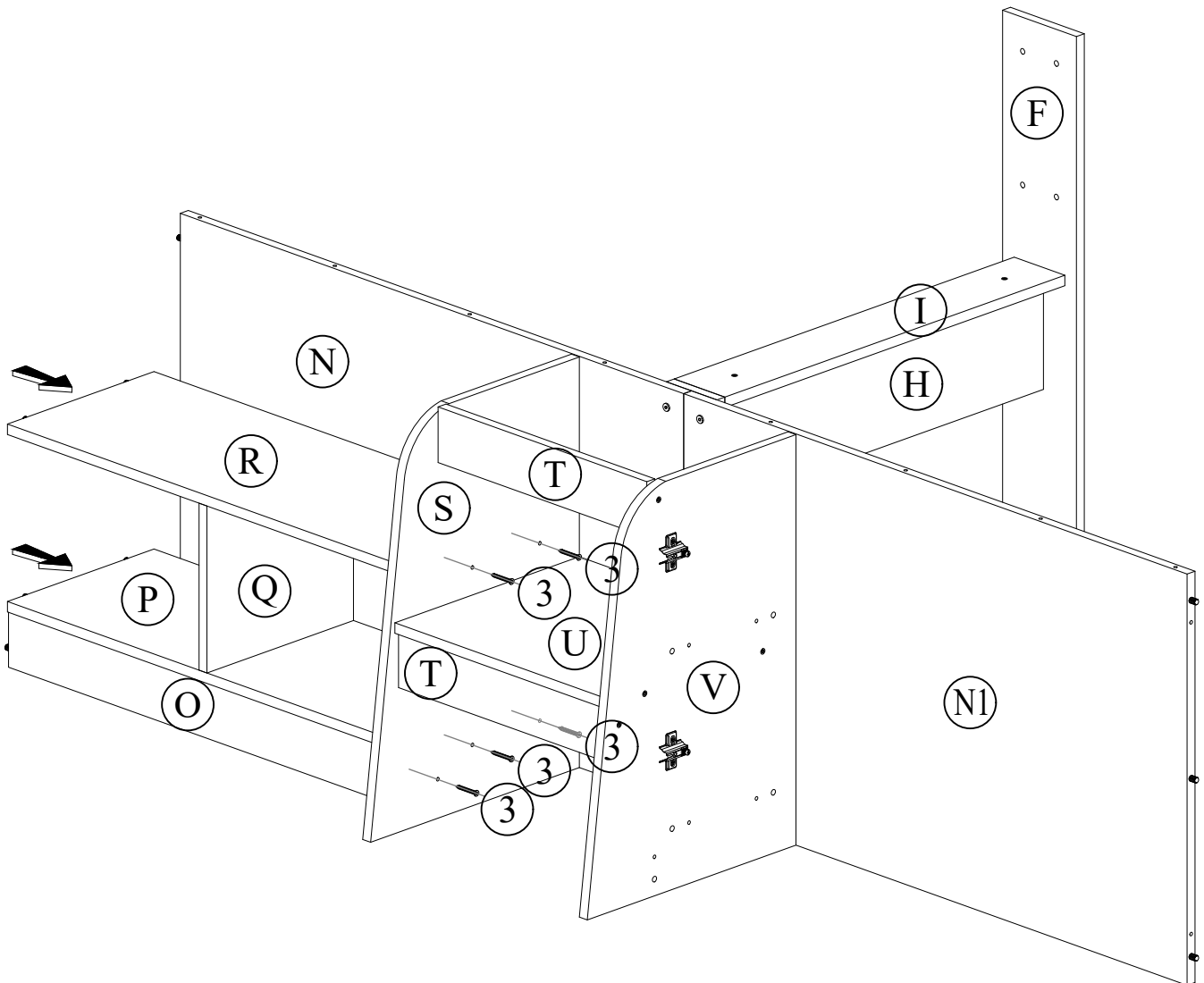
Assembly Instruction

Step 13



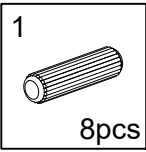
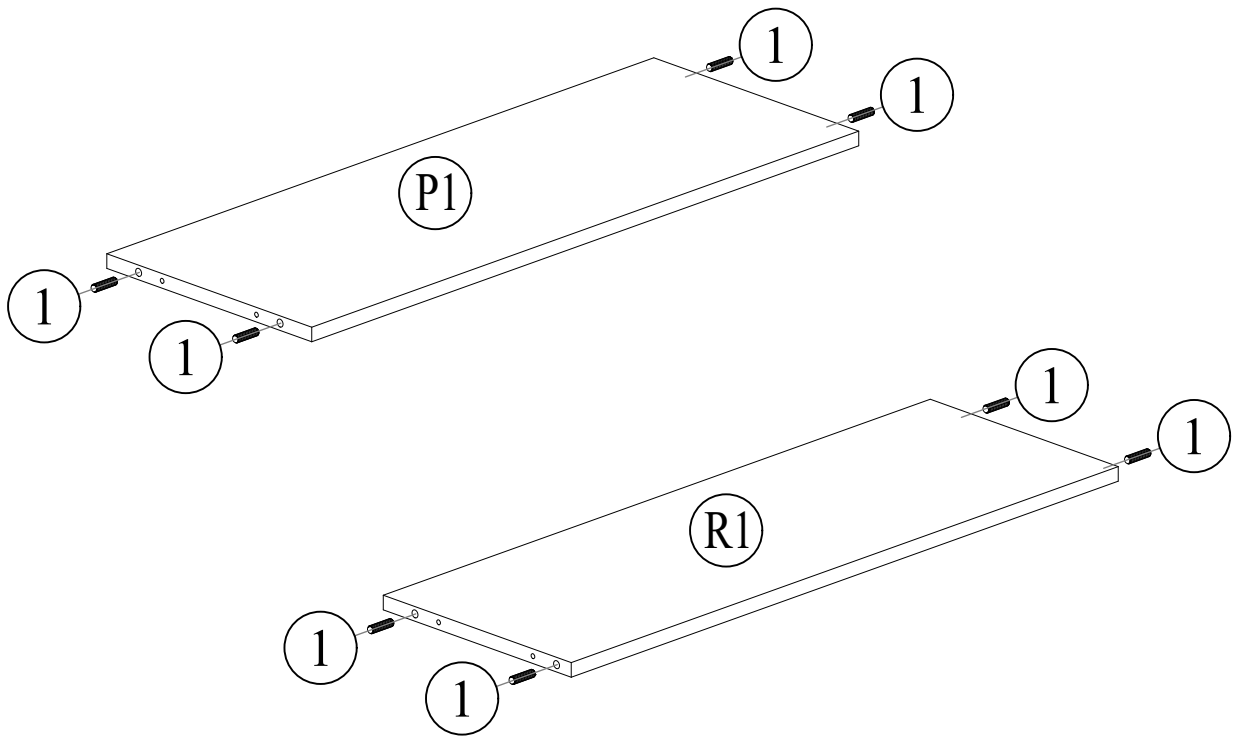
→ Step 14

Step 14

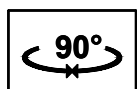
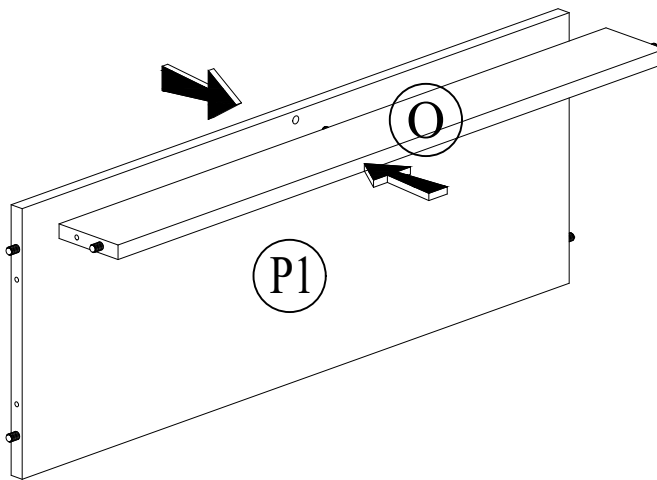


Assembly Instruction

Step 15



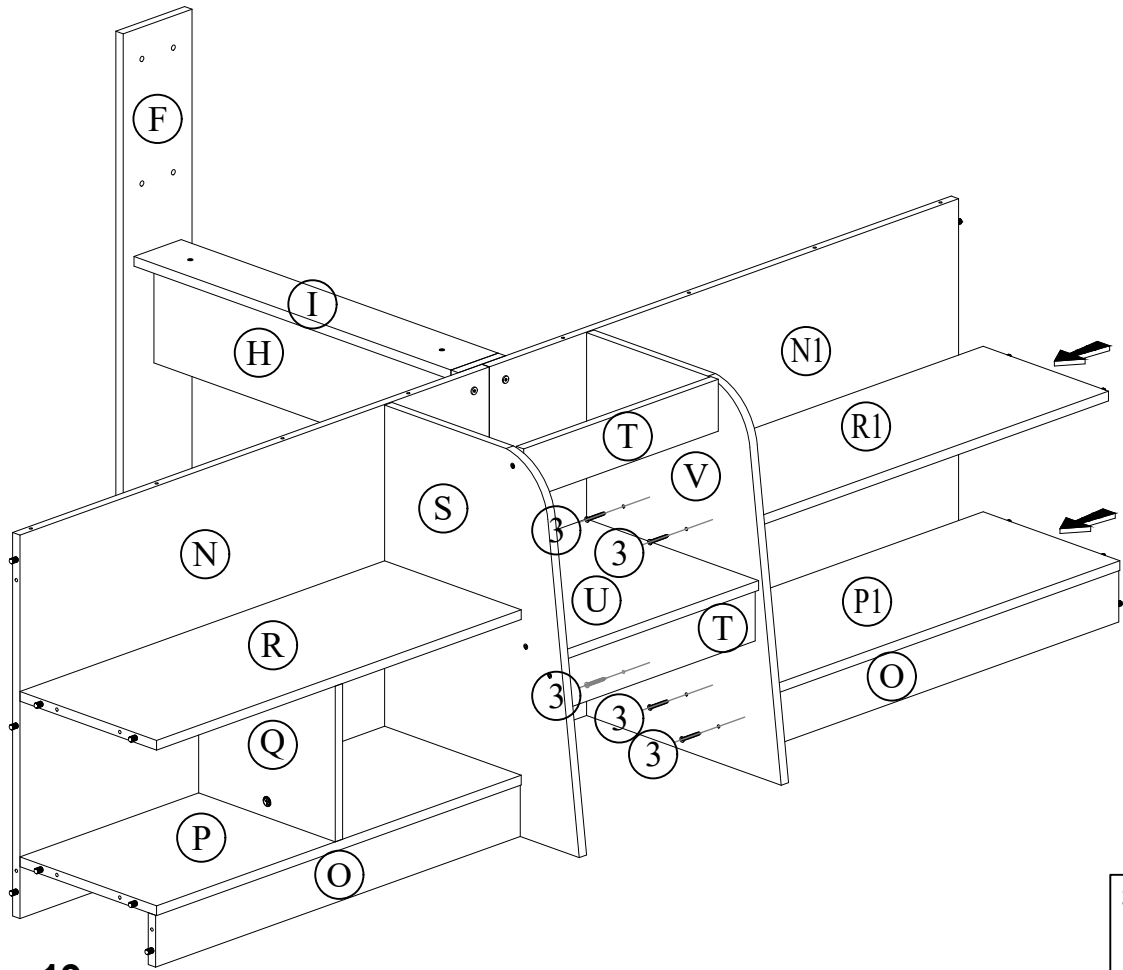
Step 16



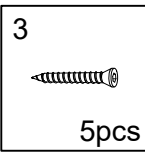
➔ Step 17

Assembly Instruction

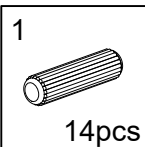
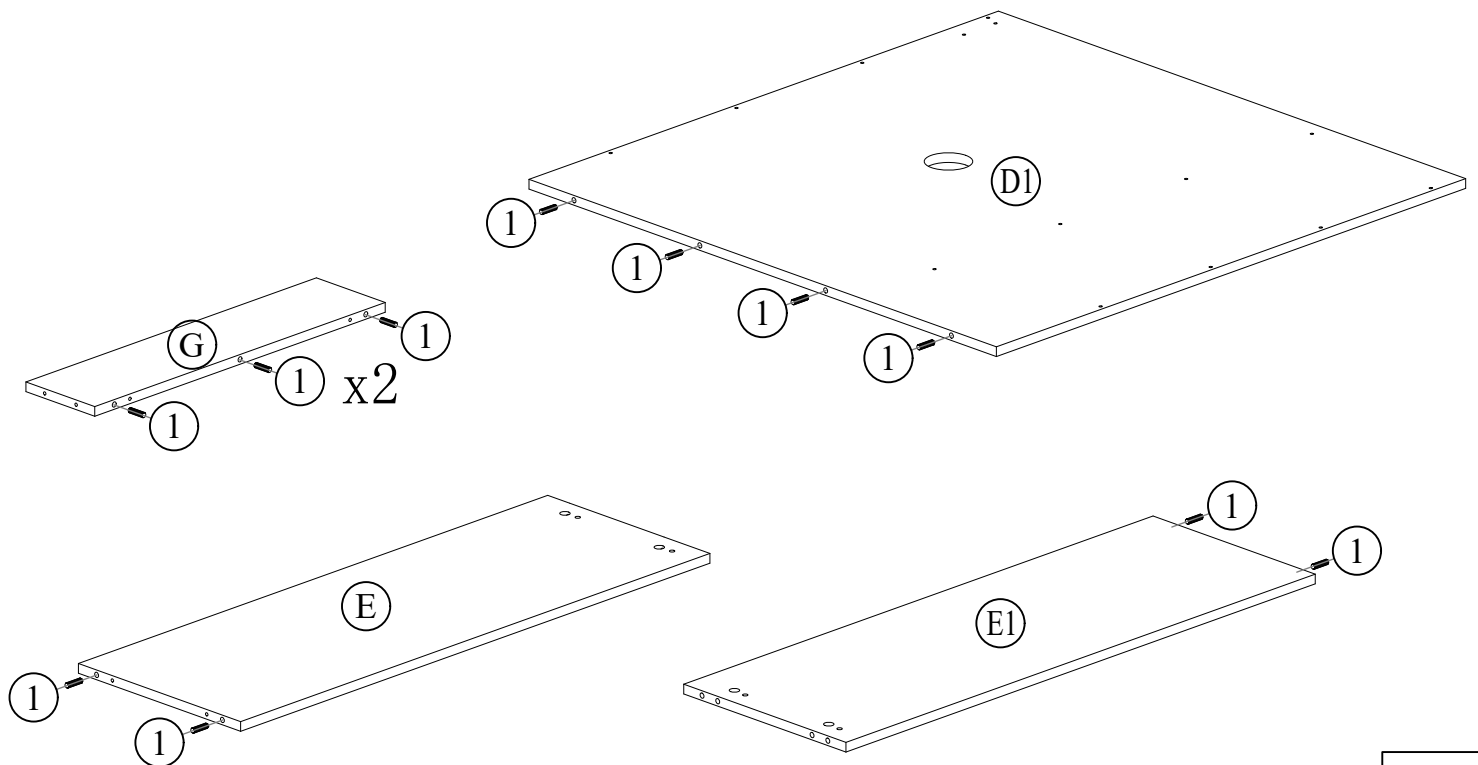
Step 17



90° → Step 19

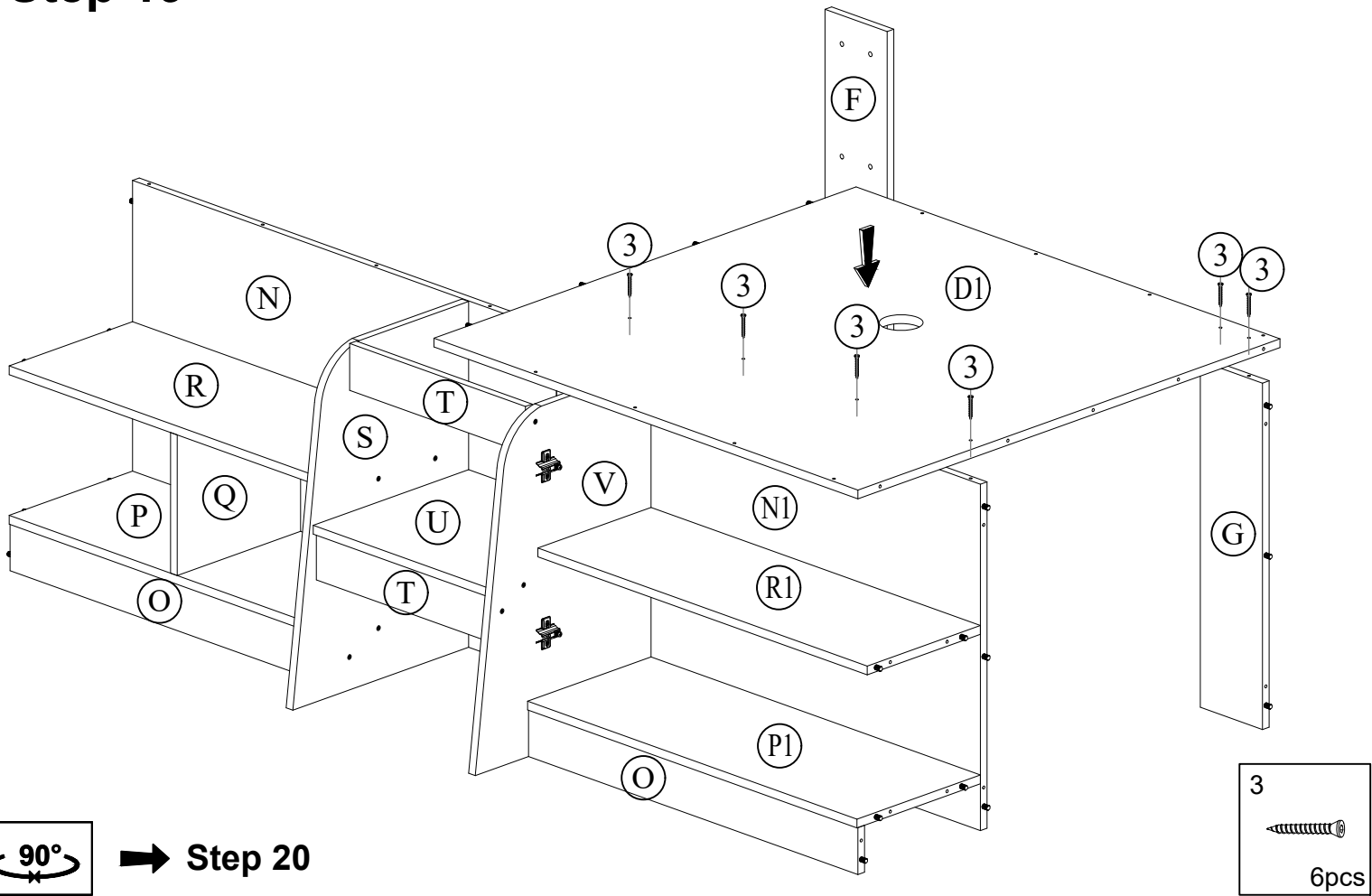


Step 18

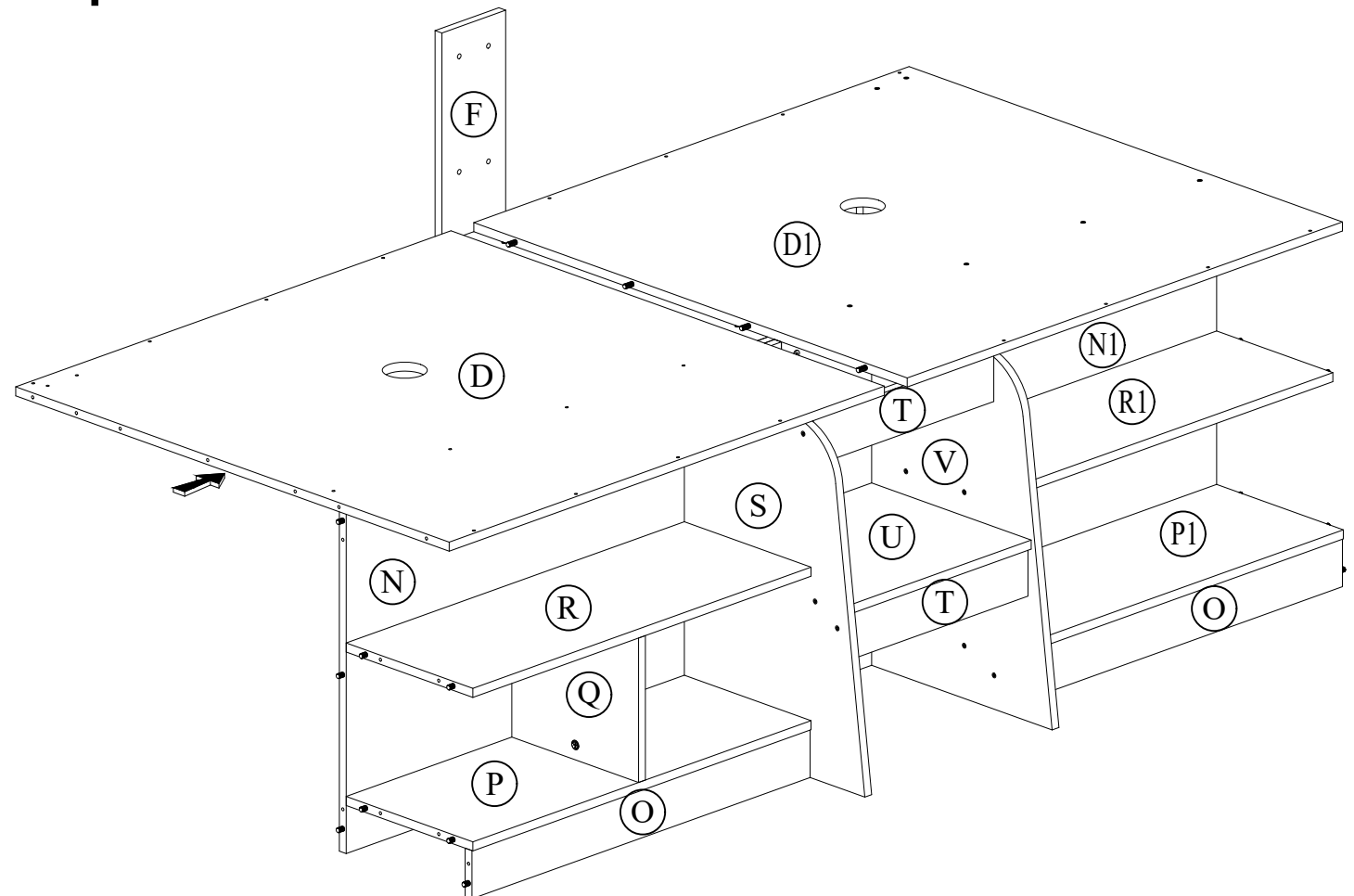


Assembly Instruction

Step 19

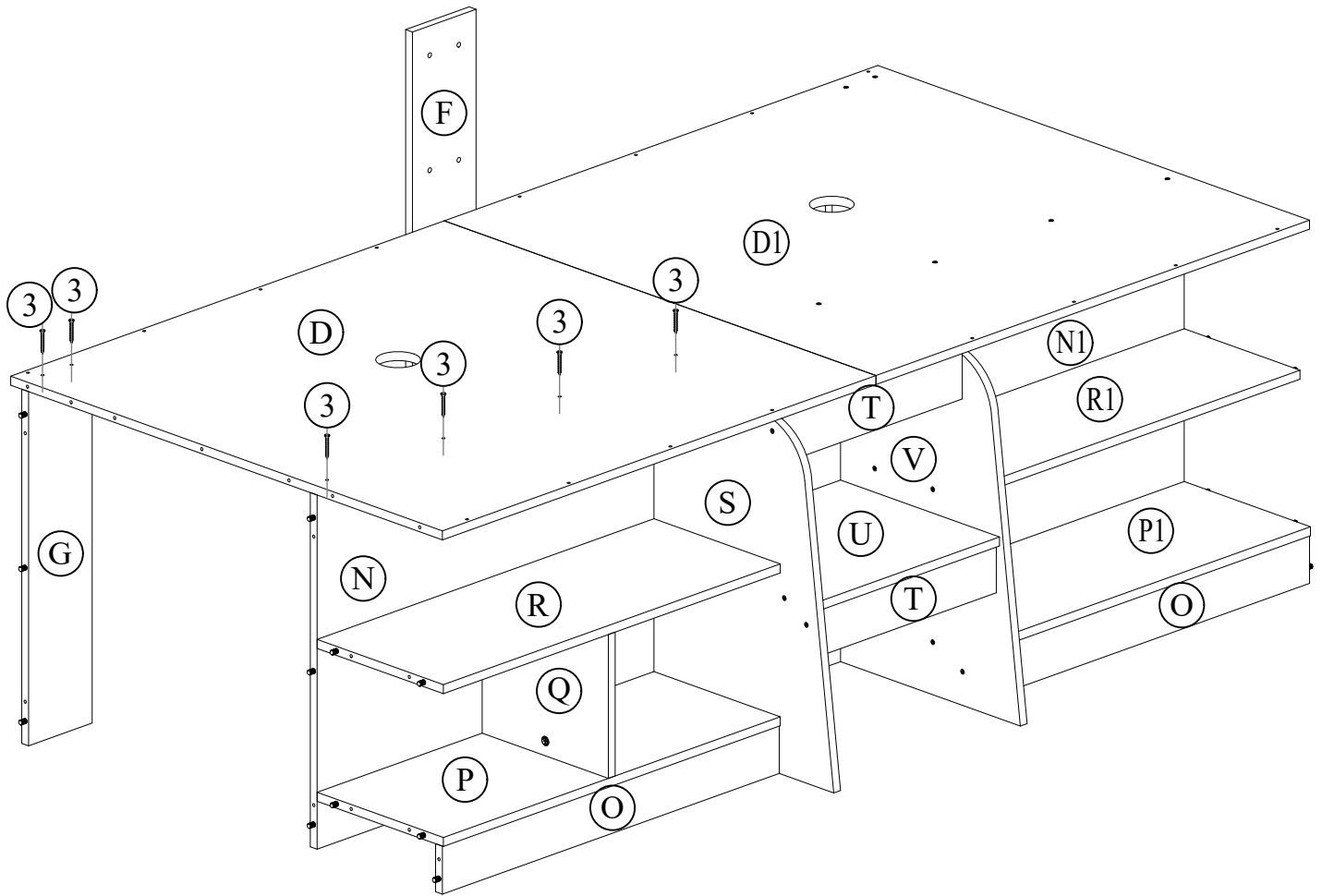


Step 20

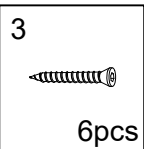


Assembly Instruction

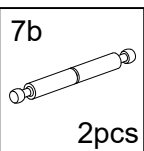
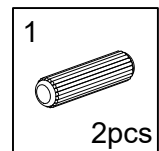
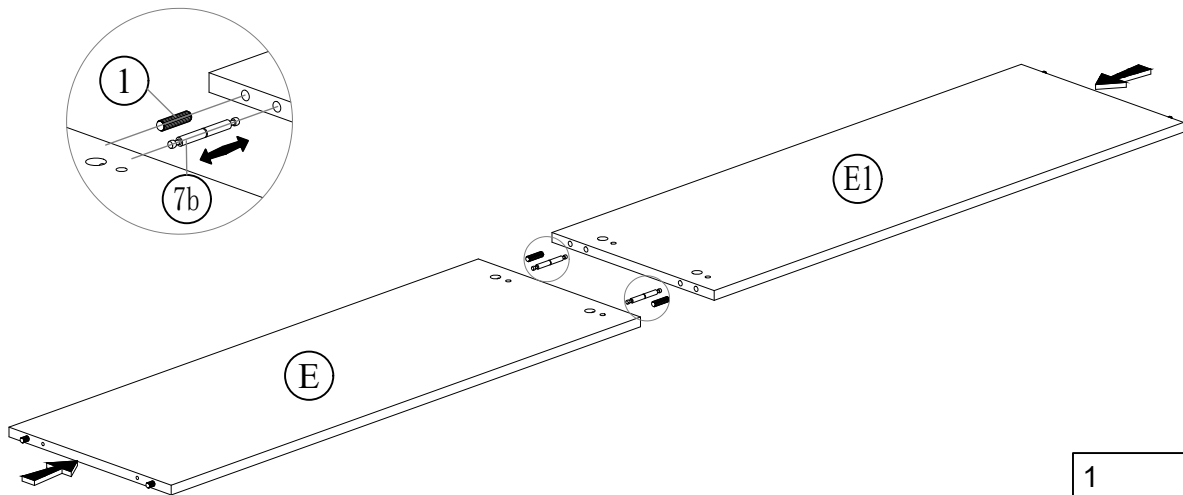
Step 21



90° → Step 24

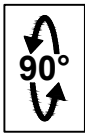
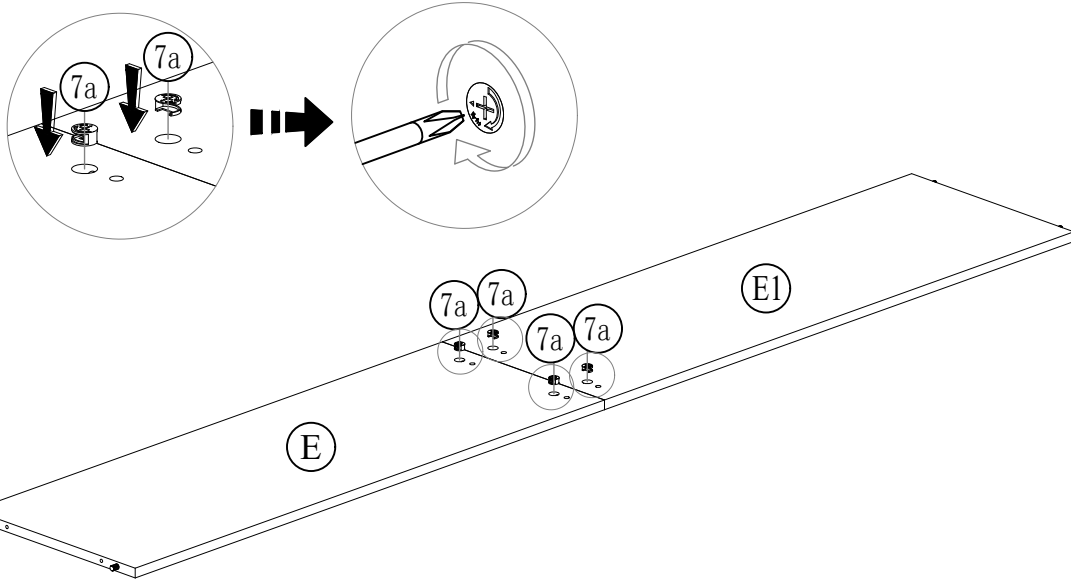


Step 22

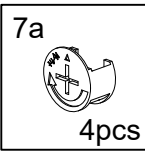


Assembly Instruction

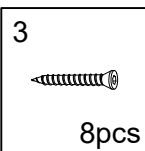
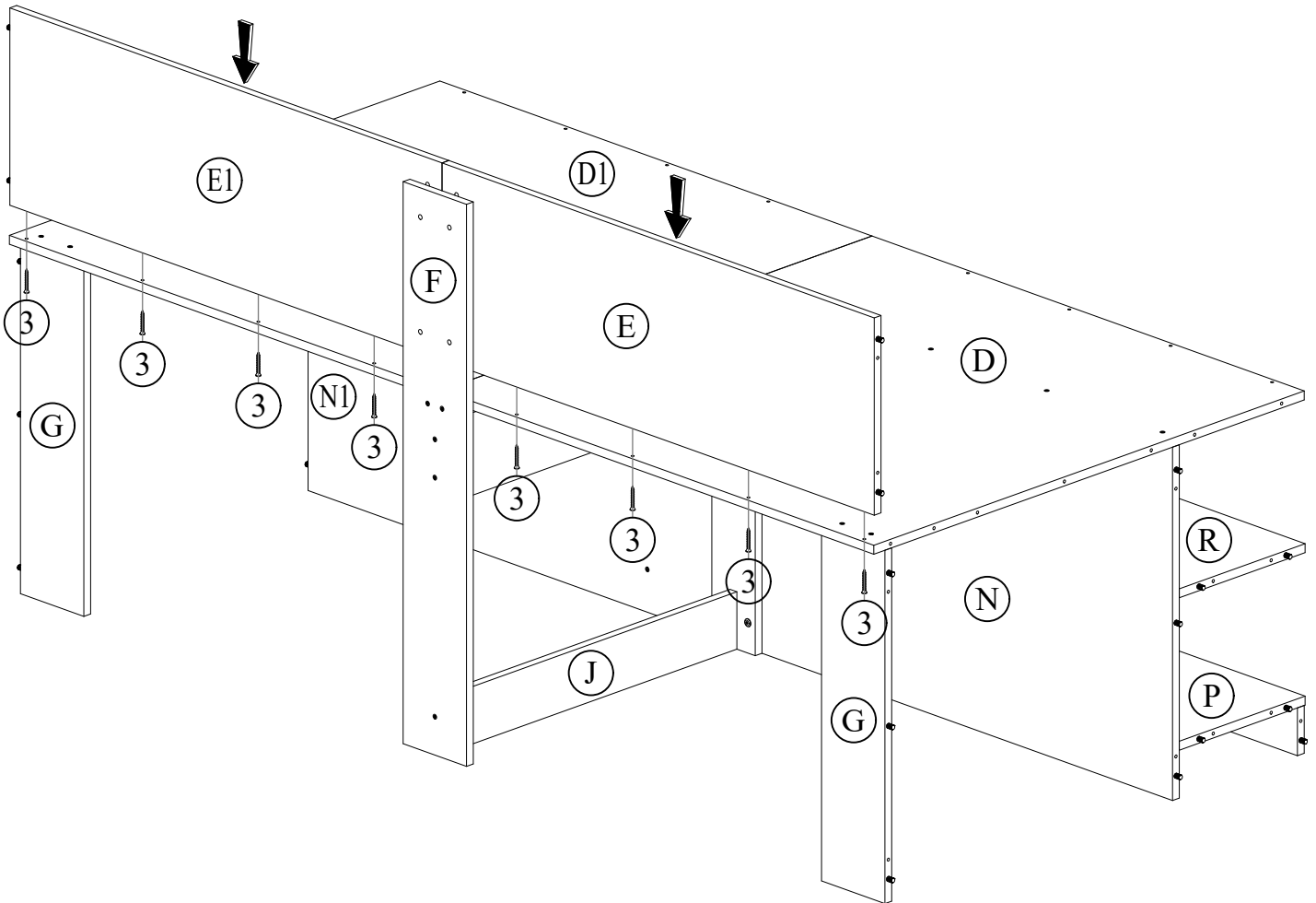
Step 23



→ Step 24

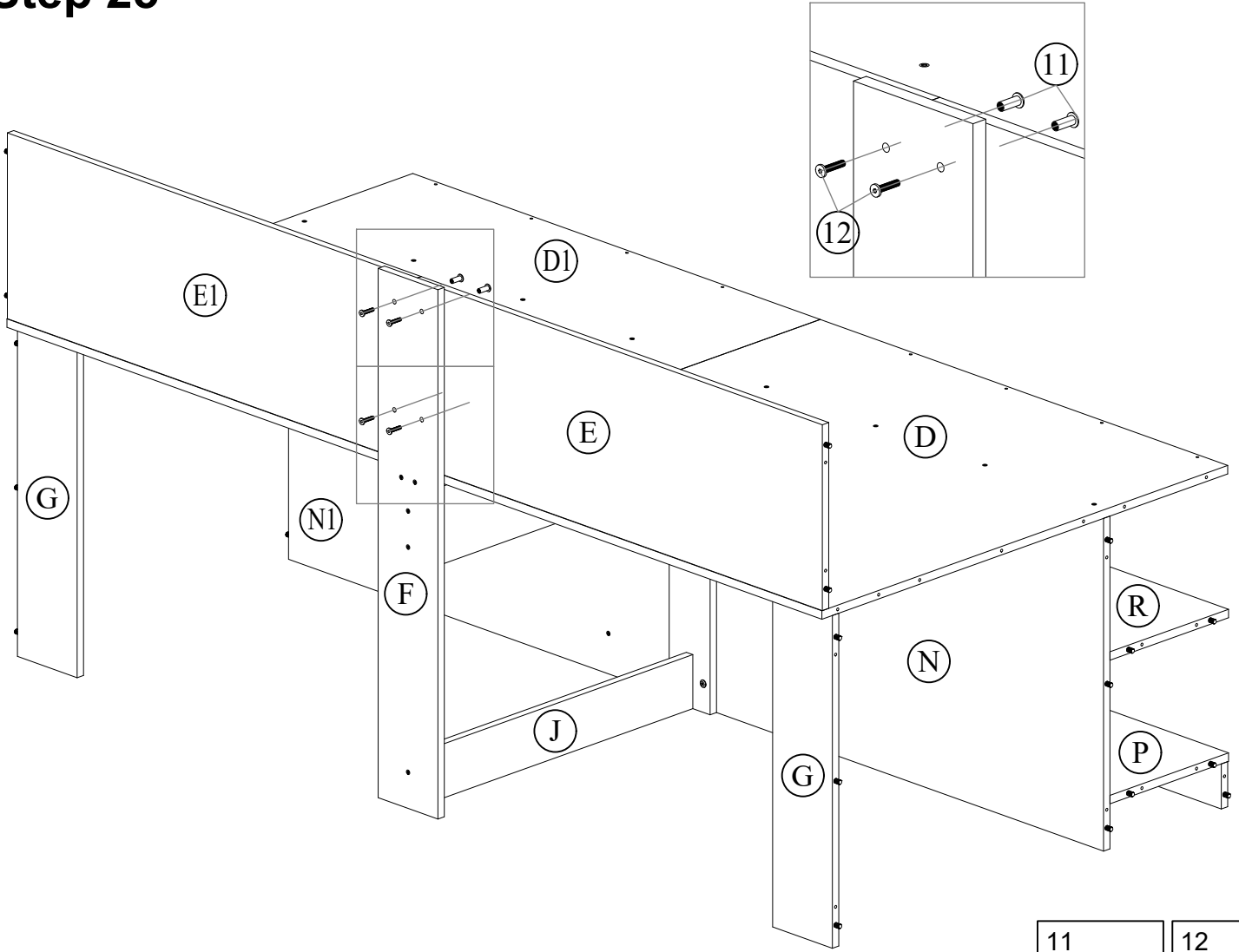


Step 24

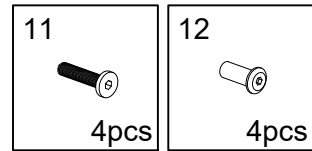


Assembly Instruction

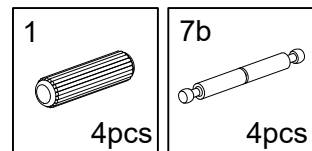
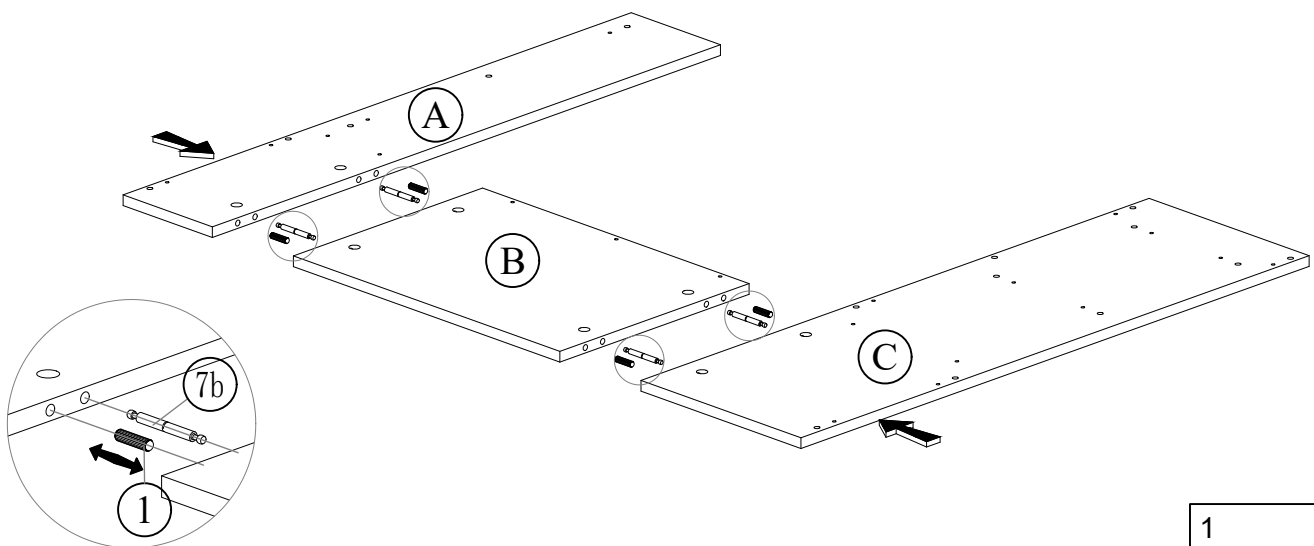
Step 25



90° → Step 28

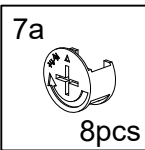
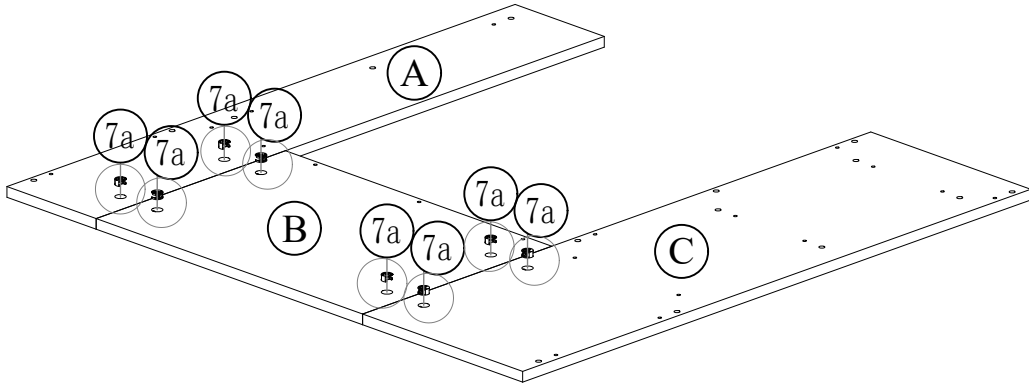
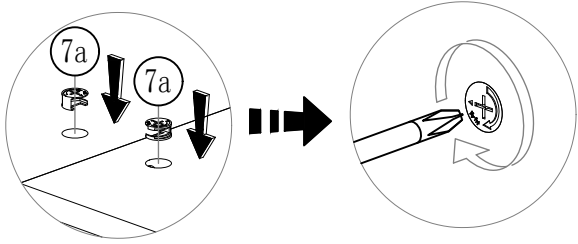


Step 26

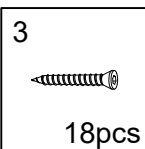
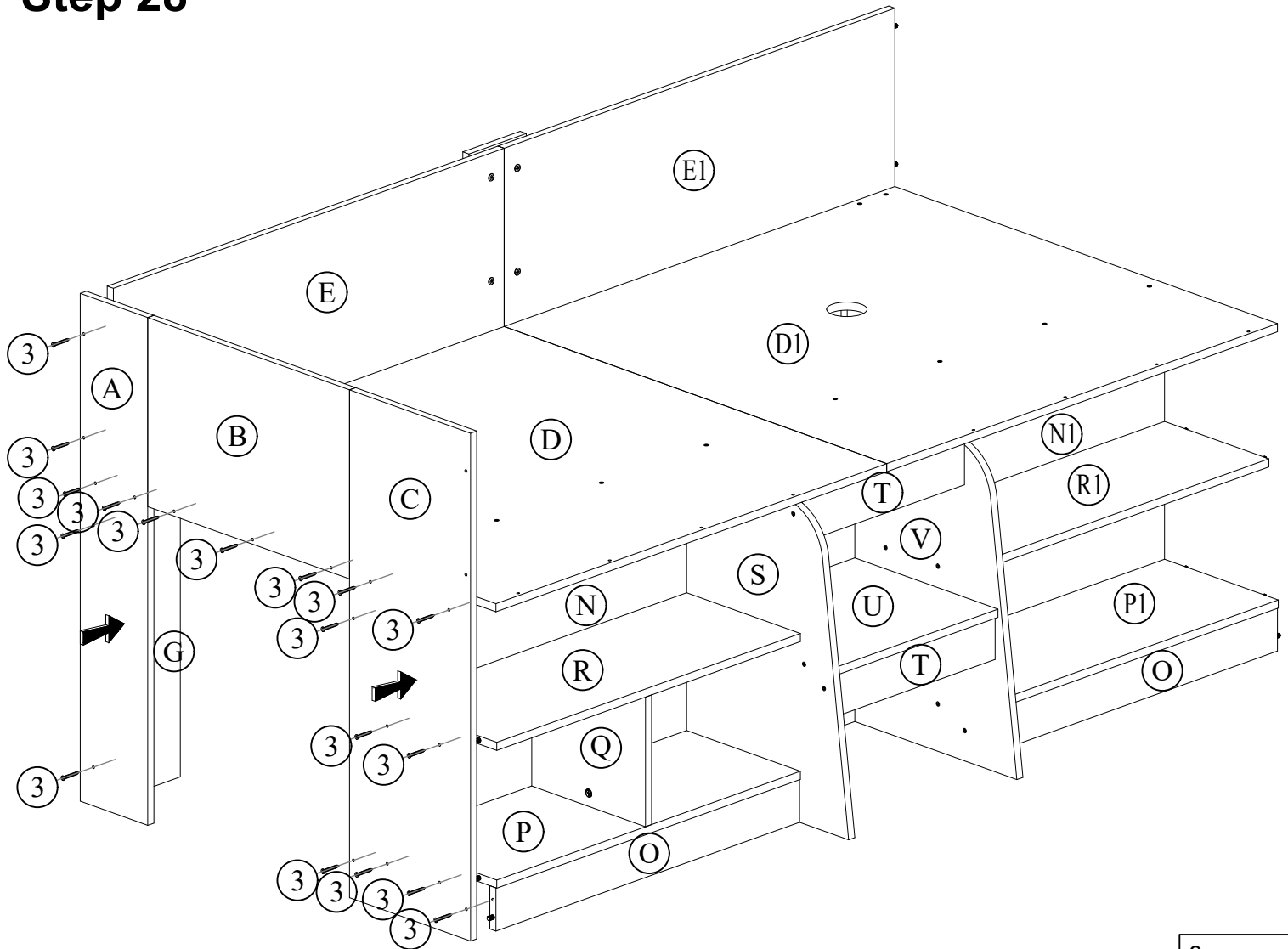


Assembly Instruction

Step 27

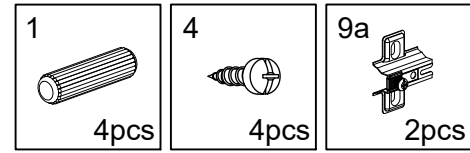
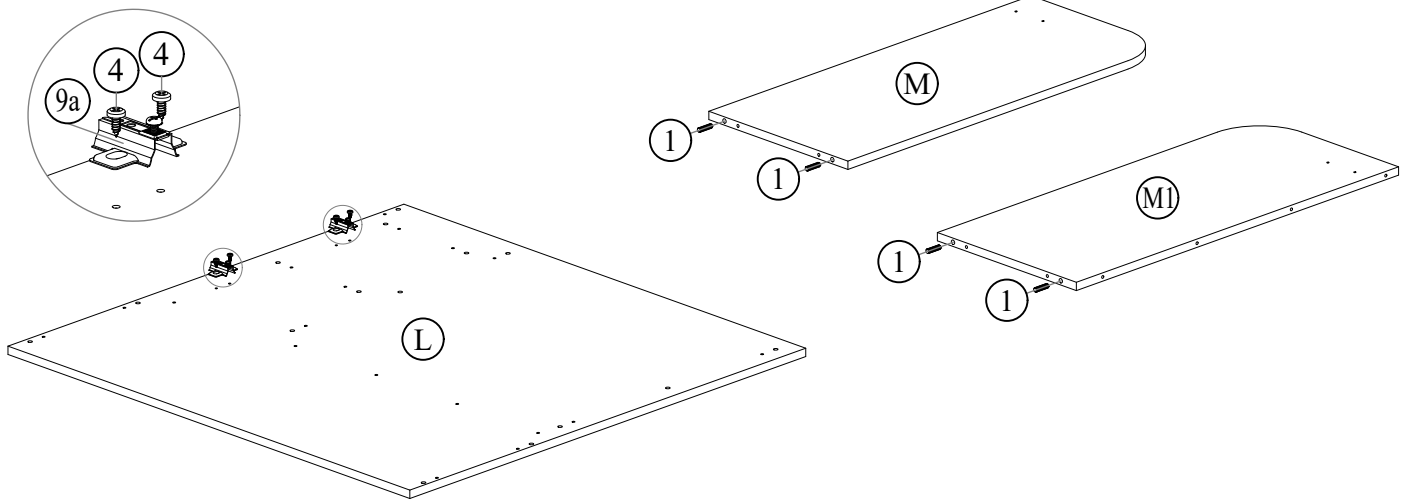


Step 28

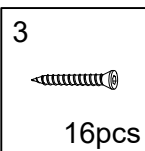
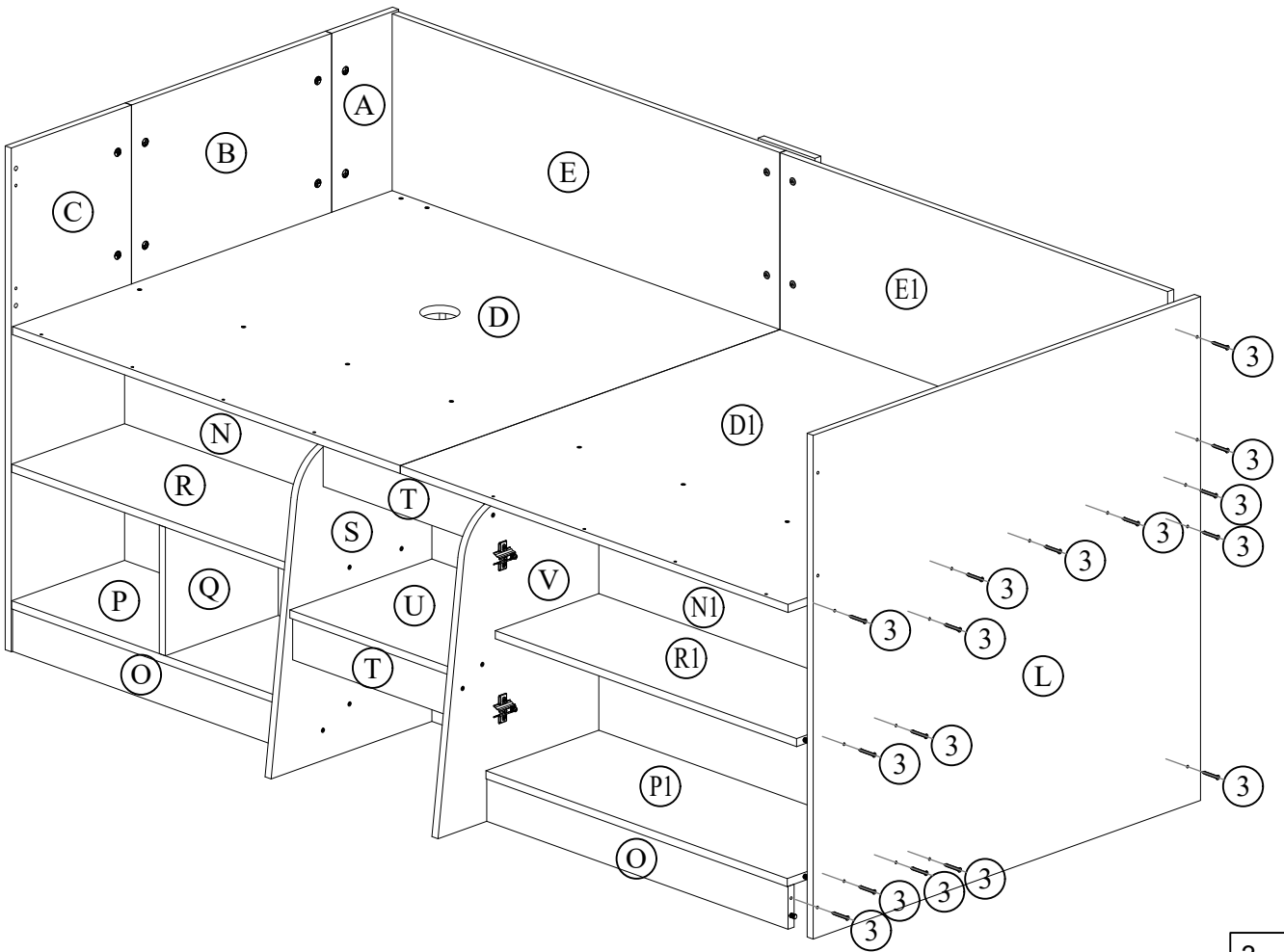


Assembly Instruction

Step 29

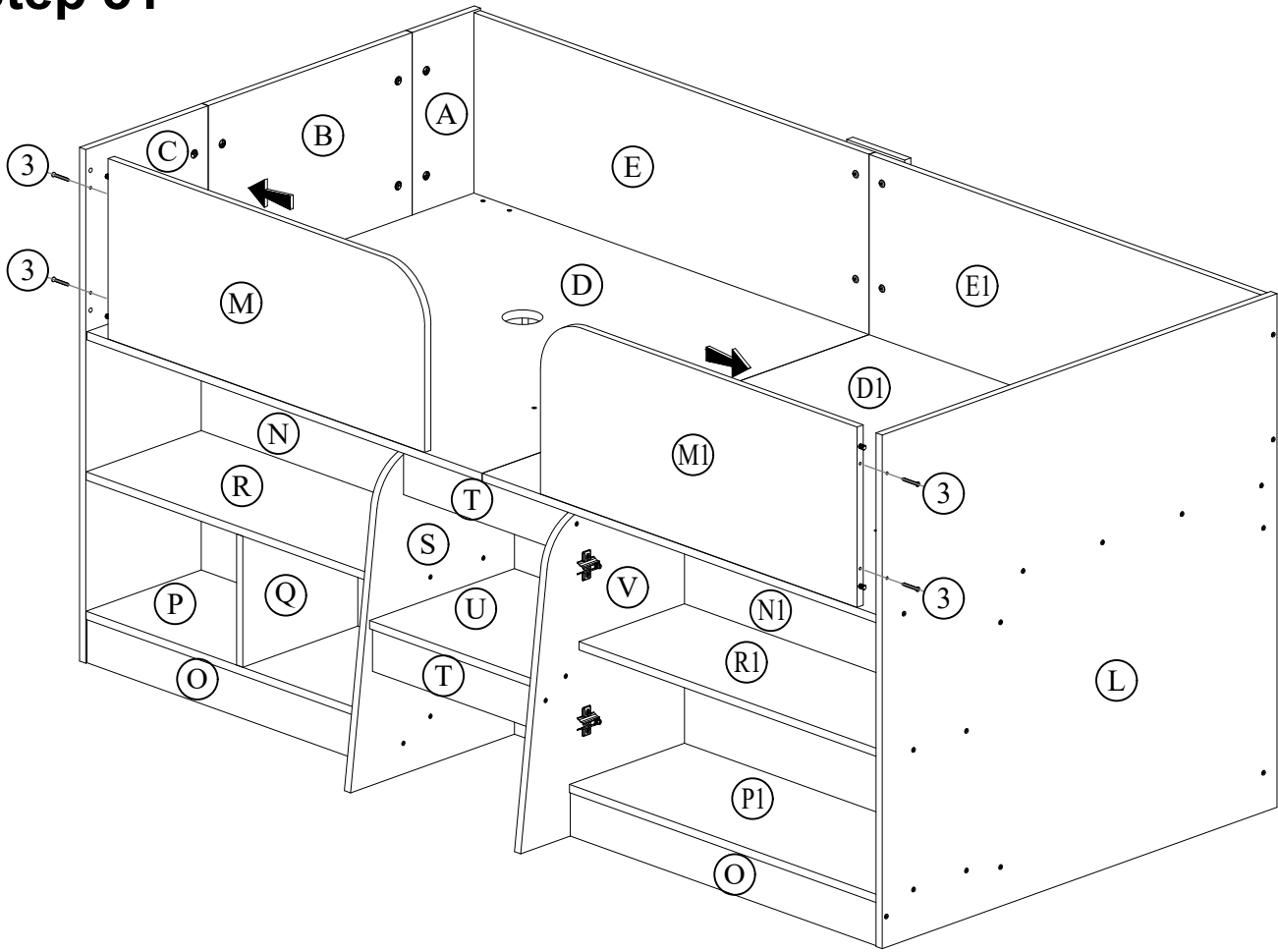


Step 30

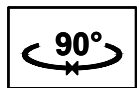
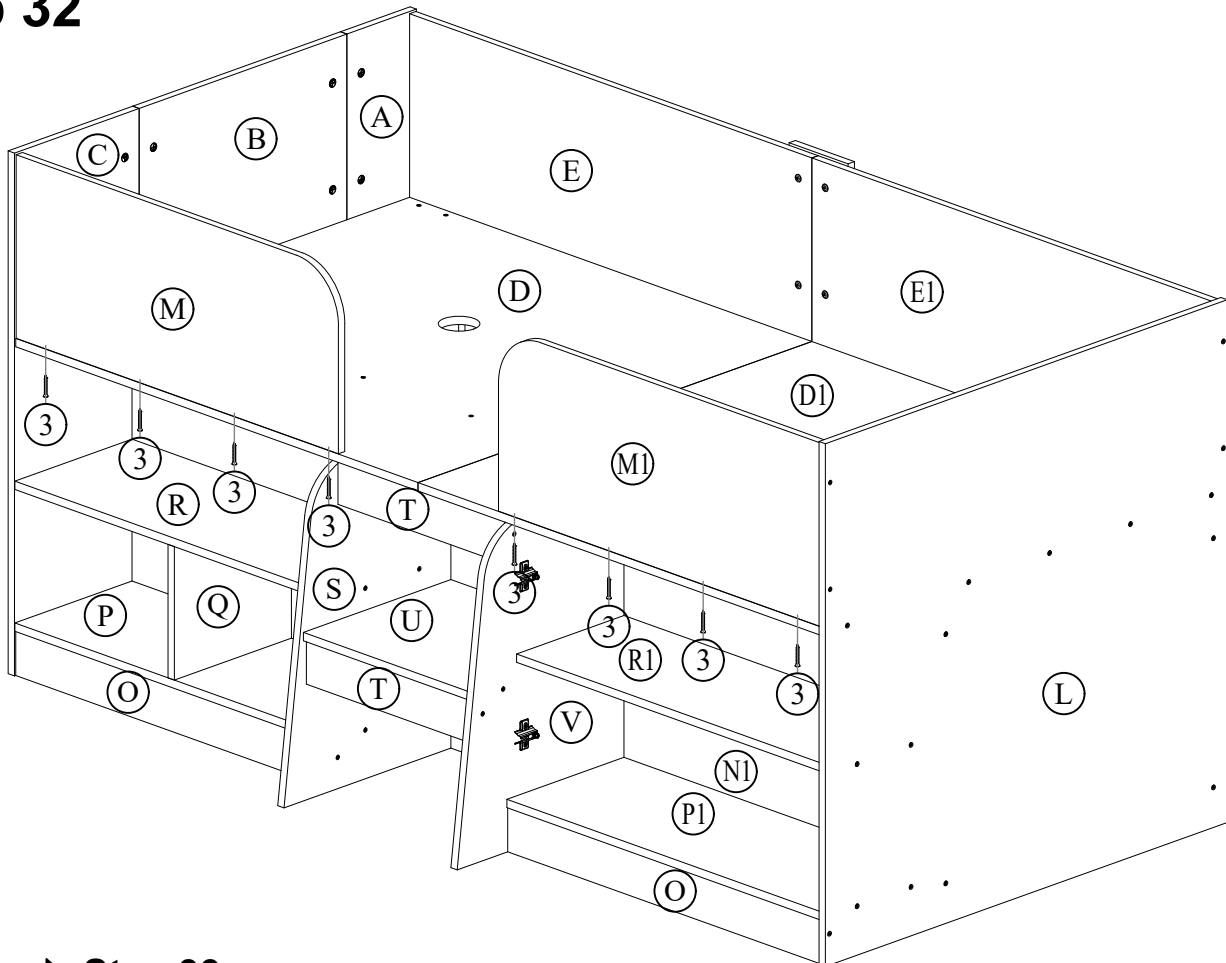


Assembly Instruction

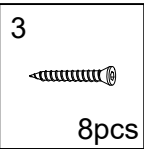
Step 31



Step 32

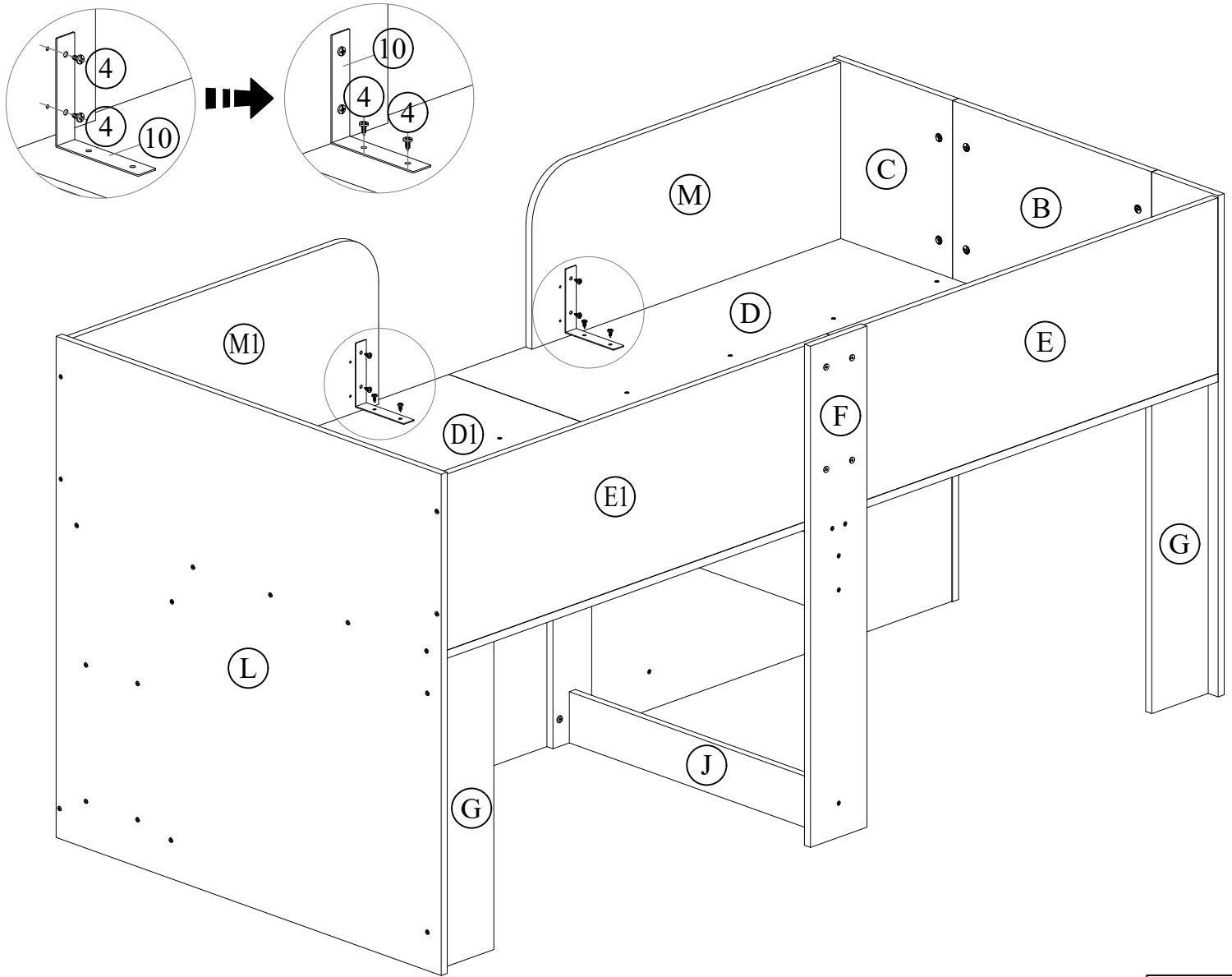


➔ Step 33

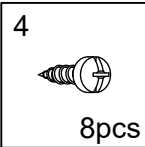


Assembly Instruction

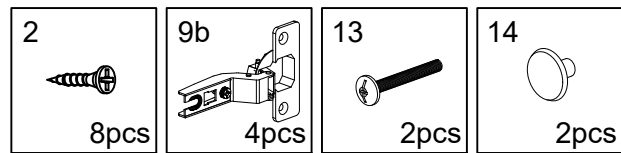
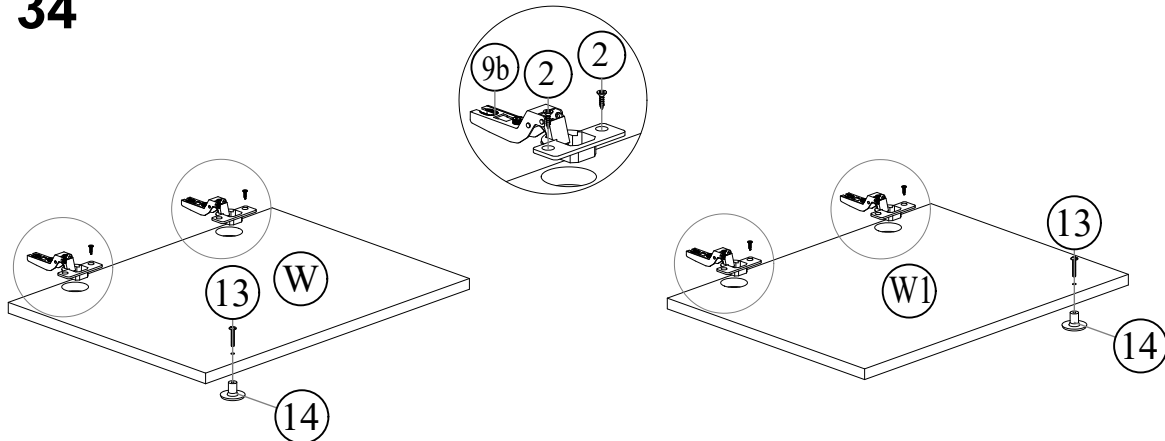
Step 33



180° → Step 34

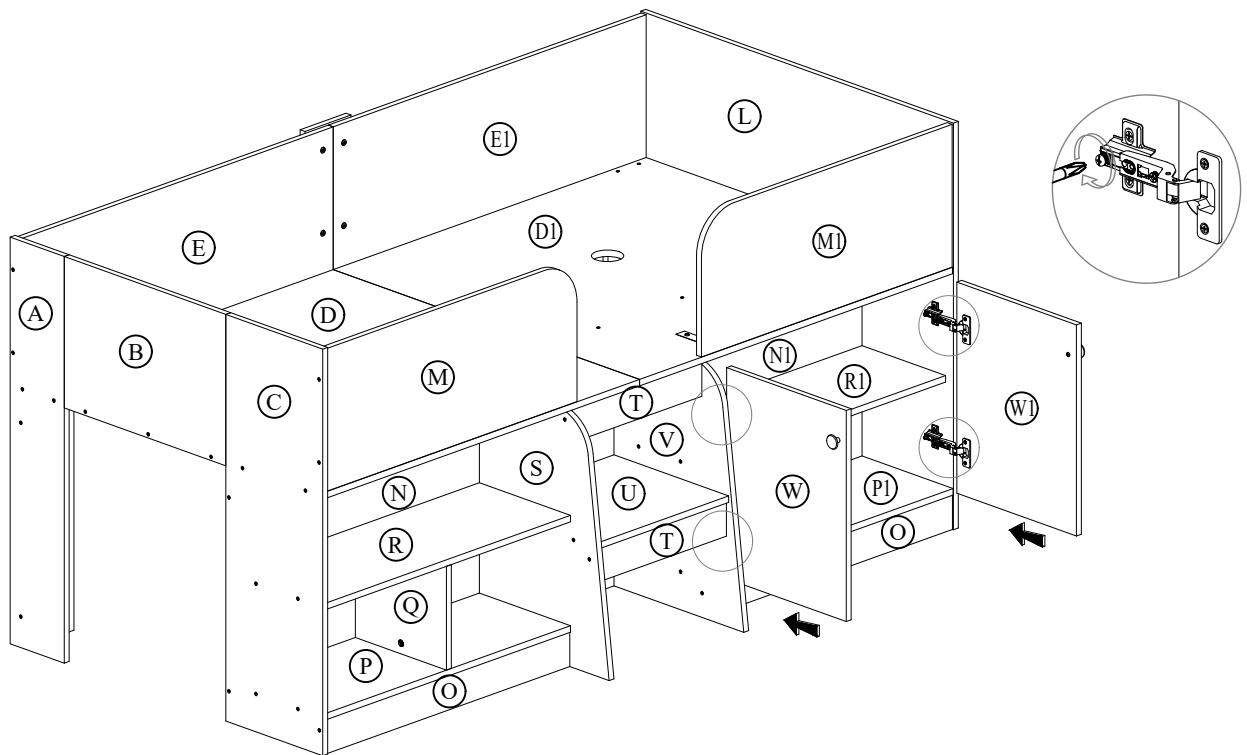


Step 34

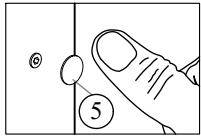


Assembly Instruction

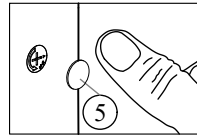
Step 35



Step 36



* Cover all the screw (3)'s head with the seal sticker provided by sticking the sticker on the screw head.



* Cover all the mini fix (nuts) (6a) (7a)'s head with the seal sticker provided by sticking the sticker on the head of mini fix (nuts).

Complete

