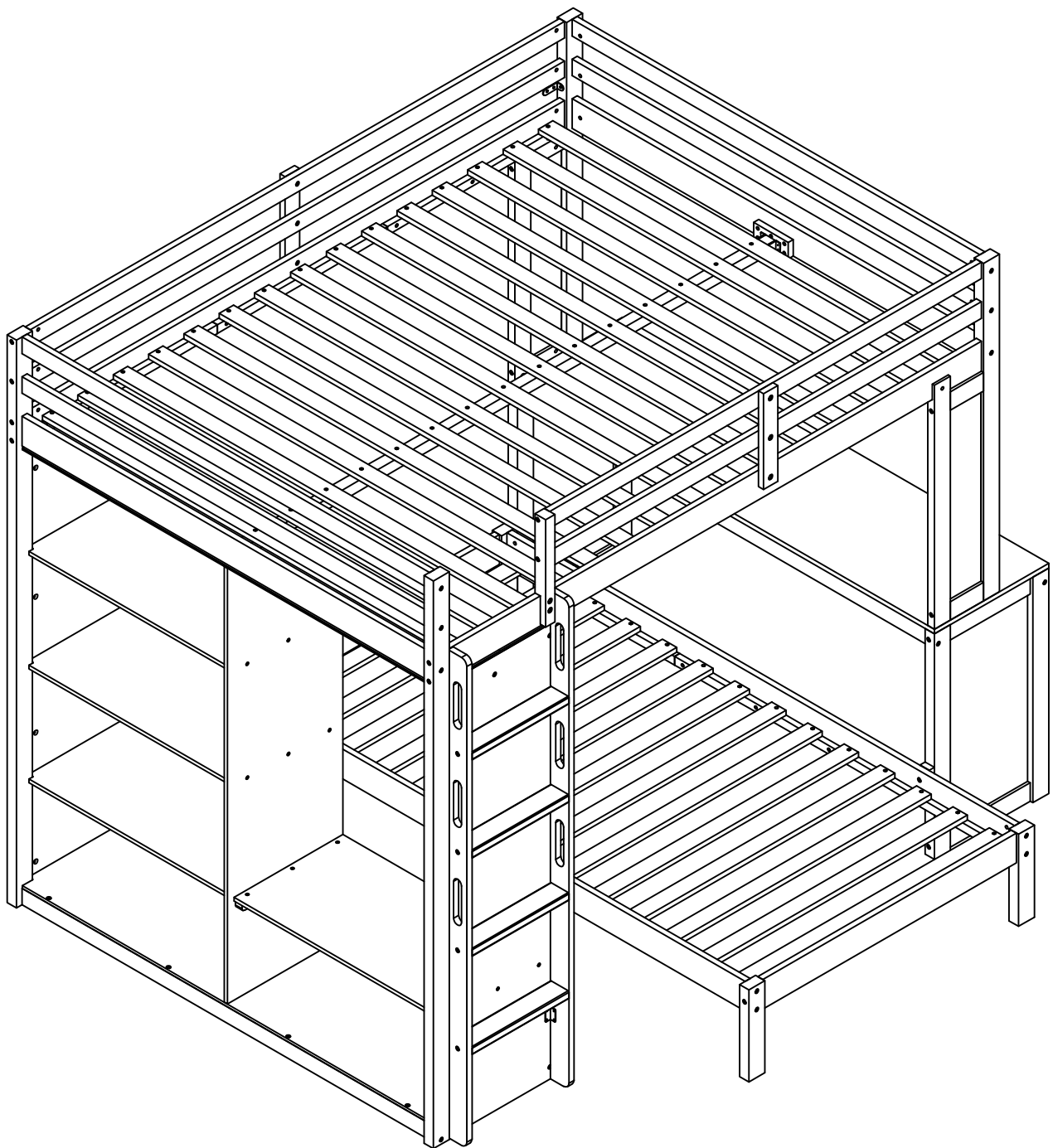


ASSEMBLY INSTRUCTION





SAFETY WARNINGS



1. This bed is designed for use only mattress(es) meeting the following specifications on the upper bunk and lower bunk :

Upper bed

<i>Bed Type</i>	<i>Length</i>	<i>Width</i>	<i>Thickness</i>
<i>Queen Standard</i>	<i>80"</i>	<i>60 1/2"</i>	<i>6" max</i>

Lower bed

<i>Bed Type</i>	<i>Length</i>	<i>Width</i>	<i>Thickness</i>
<i>Twin Standard</i>	<i>74"-75"</i>	<i>38 1/2"</i>	<i>6" max</i>

2. Replacement parts, including additional guardrails, maybe obtained from any of our dealers.
3. Follow the information on the warnings appearing on the upper bunk bed end structure and on the carton. Do not remove warning label from bed.
4. Always use the recommended size mattresses or mattress supports, or both, to help prevent the likelihood of entrapment or falls.
5. Surface of the mattress must be at least 5". (127 mm) below the upper edge of guardrails.
6. Do not allow children under 6 years of age to use the upper bunk.
7. Periodically check and ensure that the guardrail, ladder, and other components are in their proper position, free from damage, and that all connectors are tight.
8. Do not allow horseplay on or under the bed and prohibit jumping on the bed
9. Always use the ladder for entering and leaving the upper bunk.
10. Do not use substitute parts. Contact the manufacturer or dealer for replacement parts.
11. Use of a night light may provided added safety precaution for a child using the upper bunk.
12. Always use guardrails on both long sides of the upper bunk. If the bunk bed will be placed next to the wall, the guardrail that runs the full length of the bed should be placed against the wall to prevent entrapment between the bed and wall.
13. The use of water or sleep flotation mattresses is prohibited.
14. STRANGULATION HAZARD - Never attach or hang items to any part of the bunk bed that are not designed for use with the bed; for example, but not limited to, hook, belts and jump ropes.
15. Keep these instructions for future reference
16. Prohibit more than one person on upper bunk.
17. We recommend assembling your bunk bed on the shipping carton to protect your floor or carpet.
18. Be certain all staples are out of the box before beginning assembly on the shipping carton.



SAFETY WARNINGS



1. At the beginning :

Tighten all hardware.

Check metal parts for rust. If found, sand and repaint using a non-lead-based paint meeting the requirements of 16 CFR 1303.

Check all wood members for deterioration and splinters. Sand down splinters and replace deteriorating wood members.

Rake and check depth of loose fill protective surfacing materials to prevent compaction and to maintain appropriate depth.

Replace as necessary.

2. Twice a month

Tighten all hardware.

Rake and check depth of loose fill protective surfacing materials to prevent compaction and to maintain appropriate depth.

Replace as necessary.

3. Owners shall be responsible for maintaining the legibility of the warning labels.

4. Disposal Instructions-

There shall be instructions advising the owner to disassemble and dispose of the playground equipment in such a way that no unreasonable hazards will exist at the time the playground equipment is discarded.

5. The instructions shall also include the information found in Section 4 of the United States Consumer Product Safety Commission's (USCPSC) Outdoor Home Playground Safety Handbook or specific surfacing guidelines for the product consistent with the USCPSC Handbook. A copy of this section may be found in Appendix X2.

6. Observing the following statements and warnings reduces the likelihood of serious or fatal injury.

7. Specifying the number and weight of occupants that may safely use the equipment singly or simultaneously,

8. Recommending on-site adult supervision for children of all ages,

9. Warning the owner to instruct children not to use the equipment in a manner other than intended,

10. Warning the owner to instruct children not to get off equipment while it is in motion,

11. Warning the owner not to allow children to wear inappropriate items, such as but not limited to, loose fitting clothing, hood and neck drawstrings, scarves, cord-connected items, capes and ponchos. These items can cause death by strangulation.

12. Warning the owner to instruct children not to climb when the equipment is wet.

13. Warning the owner to instruct children not to attach items to the playground equipment that are not specifically designed for use with the equipment, such as, but not limited to, jump ropes, clothesline, pet leashes, cables and chain as they may cause a strangulation hazard

14. Warning the owner to instruct children to remove their bike or other sports helmet before playing on the playground equipment.

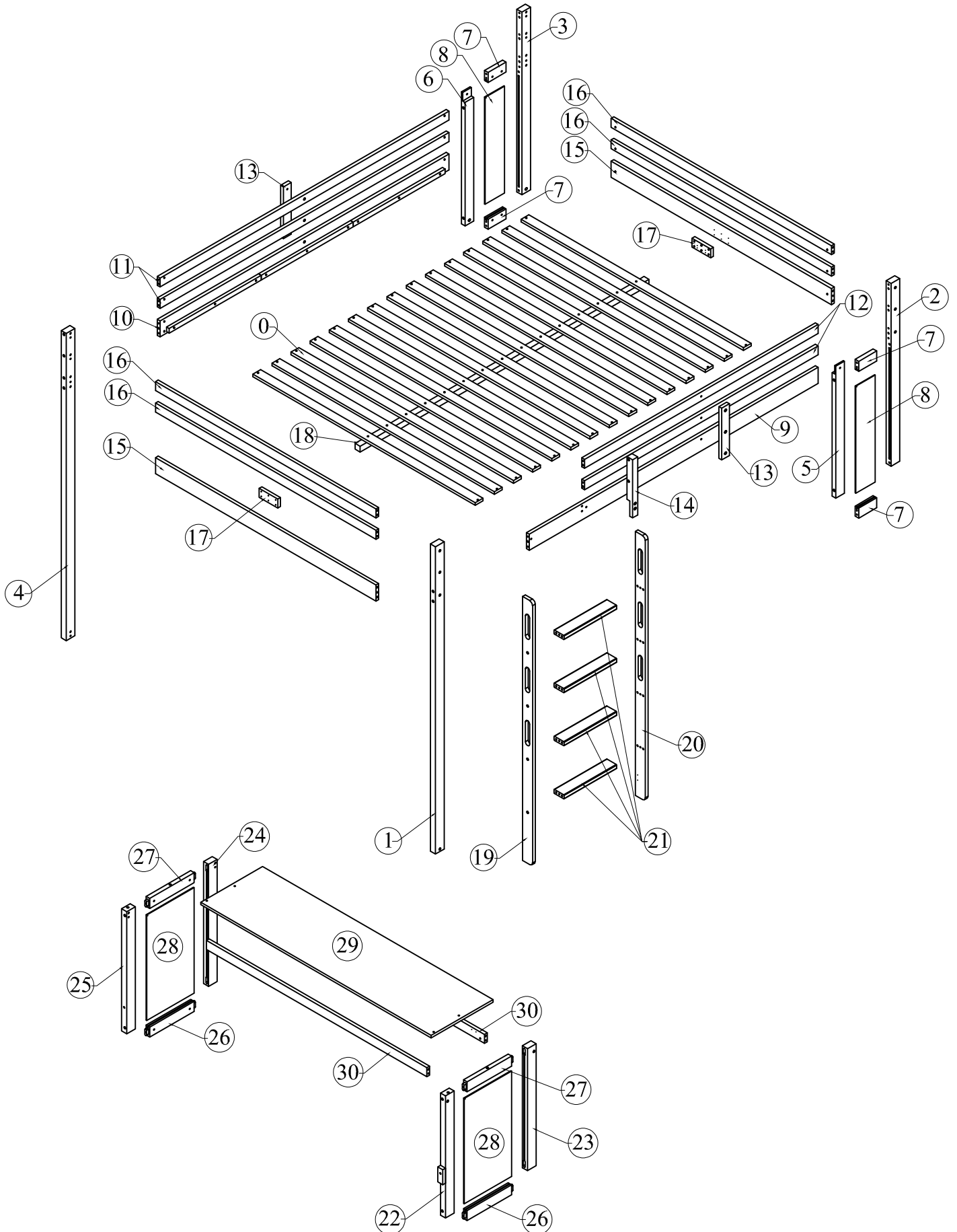
15. Warning the owner to dress children with well-fitting and full foot enclosing footwear. Examples of inappropriate footwear are clogs, flip flops, and sandals.

16. Place the equipment on level ground, not less than 6 ft (1.8 m) from any structure or obstruction such as a fence, garage, house, overhanging branches, laundry lines, or electrical wires

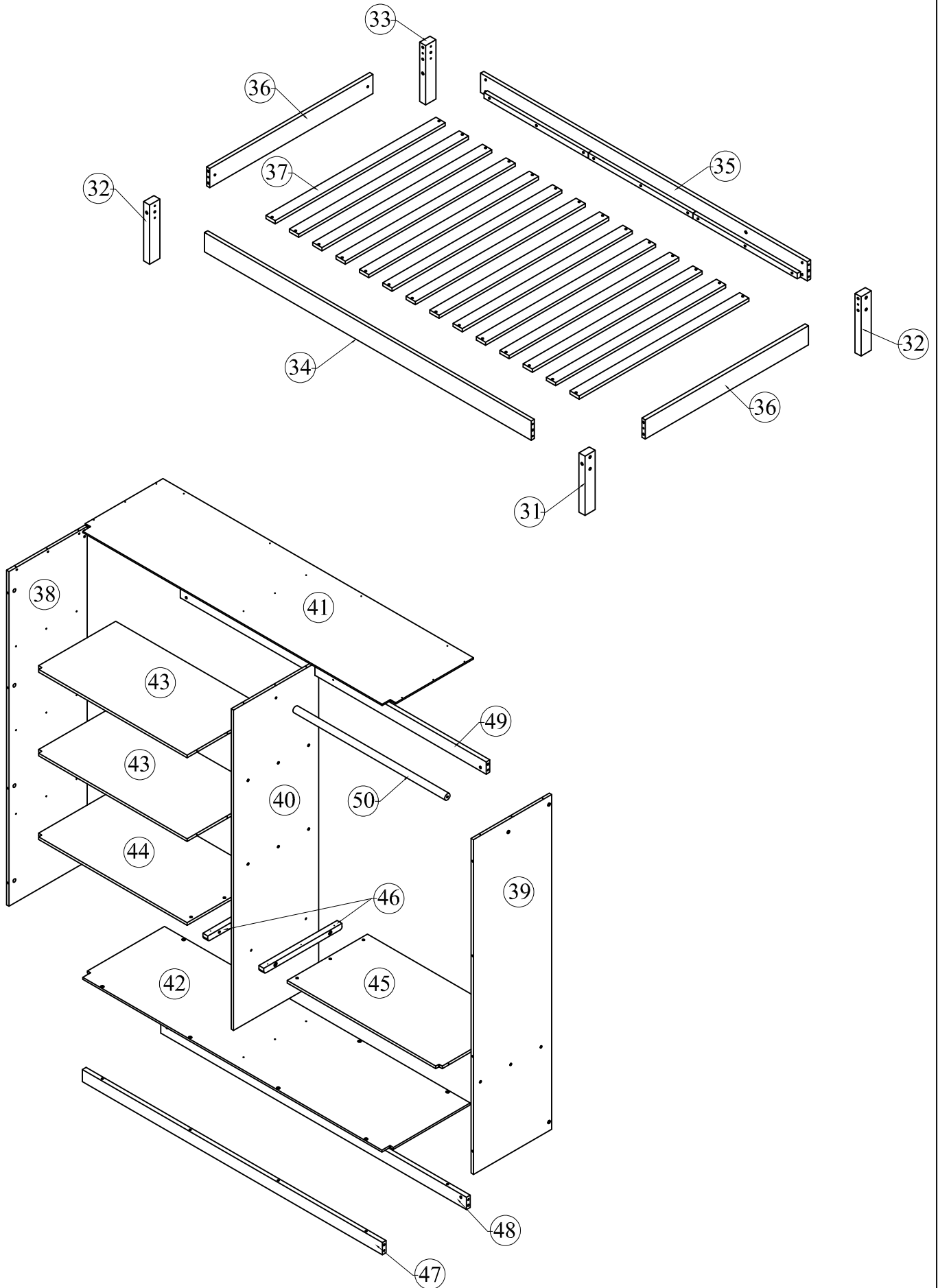
17. Do not install home playground equipment over concrete, asphalt, packed earth, grass, carpet, or any other hard surface. A fall onto a hard surface can result in serious injury or death to the equipment user

18. To prevent serious injury, cautionary statements shall be included which warn that children must not use the equipment until properly installed.

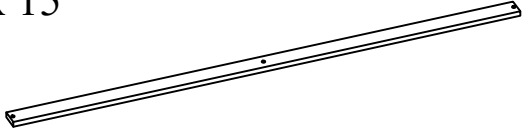
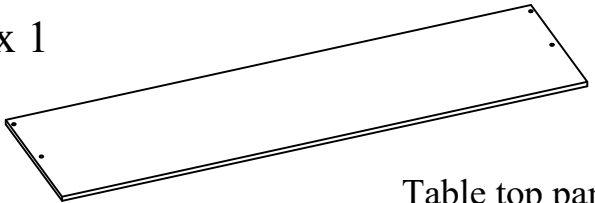
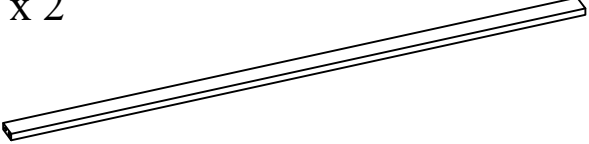
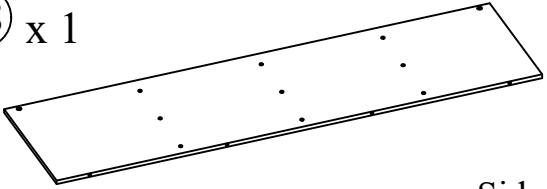
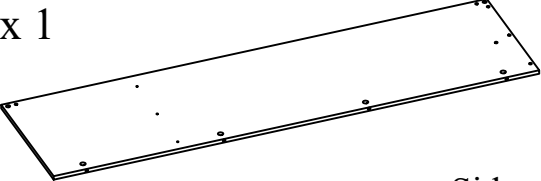
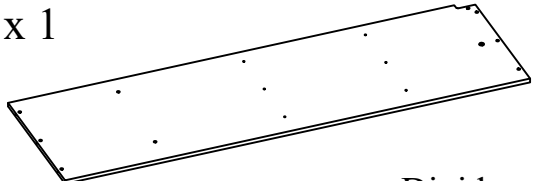
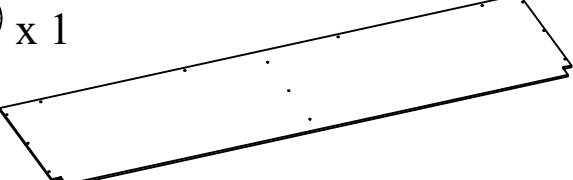
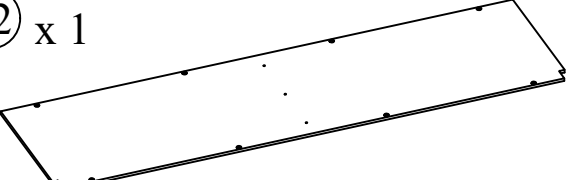
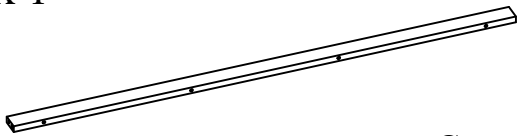
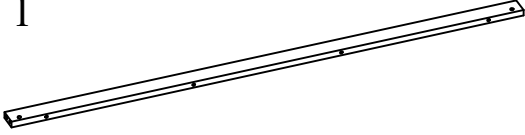
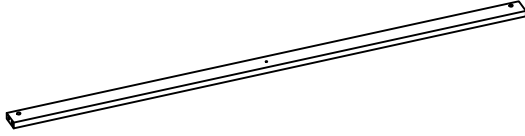
ASSEMBLY INSTRUCTION



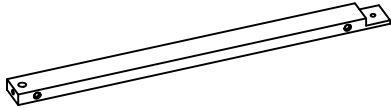
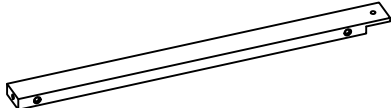
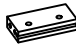

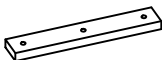
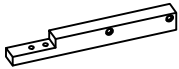


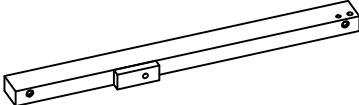


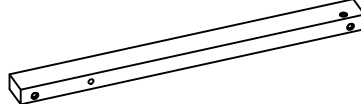

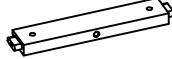
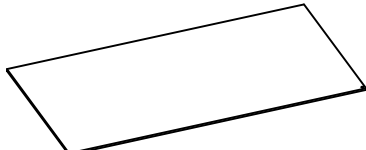
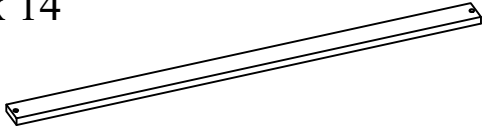
ASSEMBLY INSTRUCTION



Part List

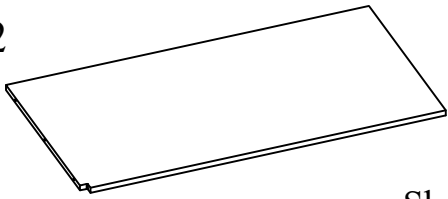
<p>① x 15</p>  <p>Slats</p>	<p>②9 x 1</p>  <p>Table top panel</p>
<p>③0 x 2</p>  <p>Crossbar</p>	<p>③8 x 1</p>  <p>Side panel</p>
<p>③9 x 1</p>  <p>Side panel</p>	<p>④0 x 1</p>  <p>Divider panel</p>
<p>④1 x 1</p>  <p>Top panel</p>	<p>④2 x 1</p>  <p>Bottom panel</p>
<p>④7 x 1</p>  <p>Crossbar</p>	<p>④8 x 1</p>  <p>Crossbar</p>
<p>④9 x 1</p>  <p>Crossbar</p>	

Part List & Hardware List

<p>⑤ x 1</p>  <p style="text-align: center;">Vertical frame</p>	<p>⑥ x 1</p>  <p style="text-align: center;">Vertical frame</p>
<p>⑦ x 4</p>  <p style="text-align: center;">Crossbar</p>	<p>⑧ x 2</p>  <p style="text-align: center;">Panel</p>
<p>⑬ x 2</p>  <p style="text-align: center;">Vertical connector</p>	<p>⑭ x 1</p>  <p style="text-align: center;">Vertical guard rail</p>
<p>⑰ x 2</p>  <p style="text-align: center;">Connector</p>	<p>⑳ x 4</p>  <p style="text-align: center;">Stair</p>
<p>㉒ x 1</p>  <p style="text-align: center;">Vertical connector</p>	<p>㉓ x 1</p>  <p style="text-align: center;">Vertical connector</p>
<p>㉔ x 1</p>  <p style="text-align: center;">Vertical connector</p>	<p>㉕ x 1</p>  <p style="text-align: center;">Vertical connector</p>
<p>㉖ x 2</p>  <p style="text-align: center;">Horizontal connector</p>	<p>㉗ x 2</p>  <p style="text-align: center;">Horizontal connector</p>
<p>㉘ x 2</p>  <p style="text-align: center;">Panel</p>	<p>㉟ x 14</p>  <p style="text-align: center;">Slats</p>

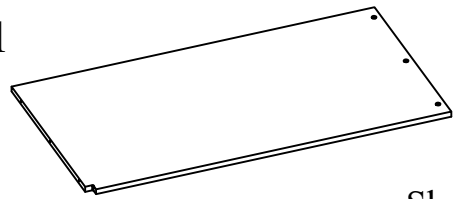
Part List & Hardware List

④③ x 2



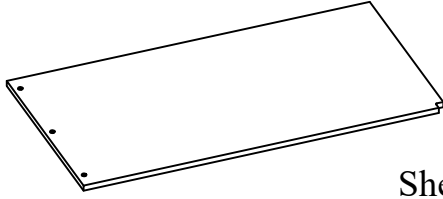
Shelf panel

④④ x 1



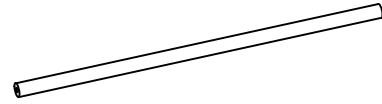
Shelf panel

④⑤ x 1



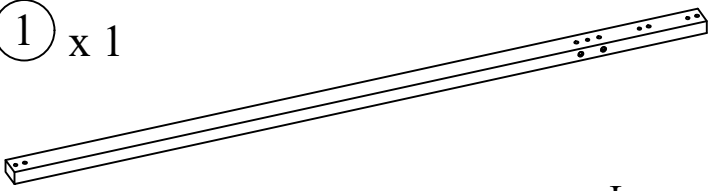
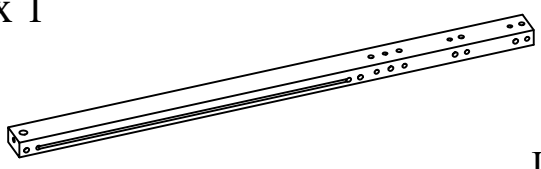
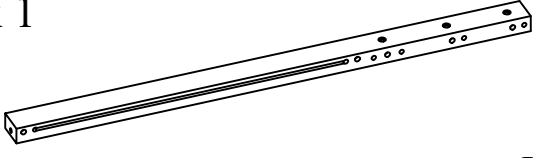
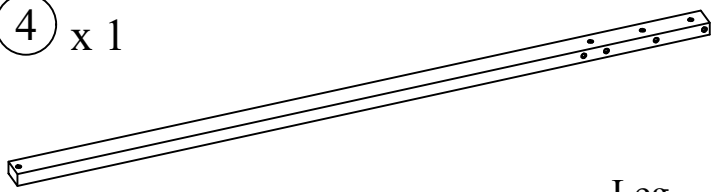
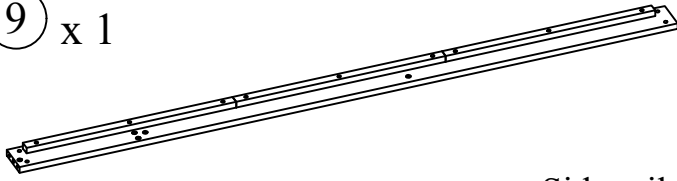
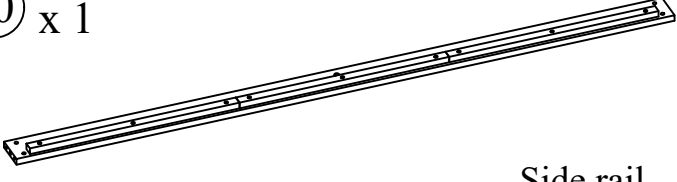
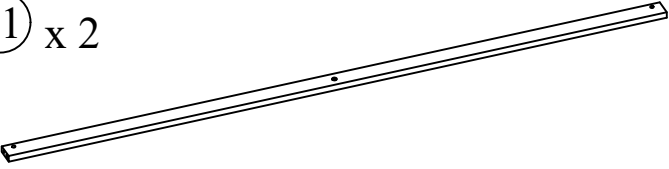
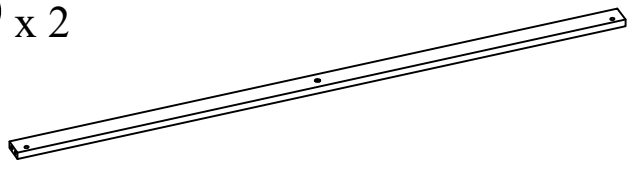
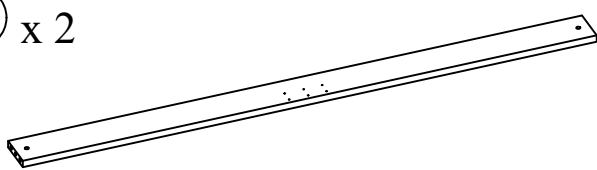
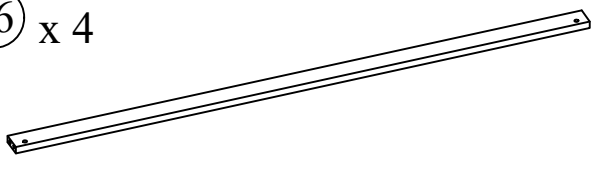
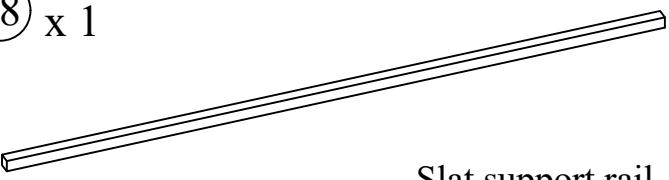
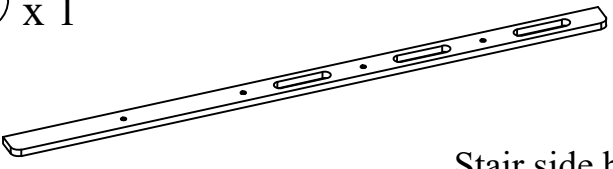
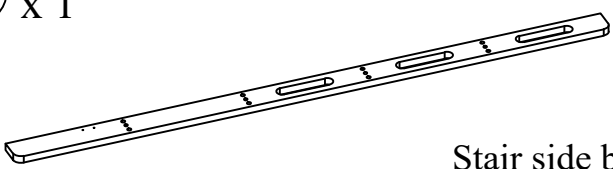
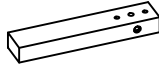
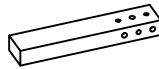
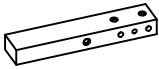
Shelf panel

⑤① x 1



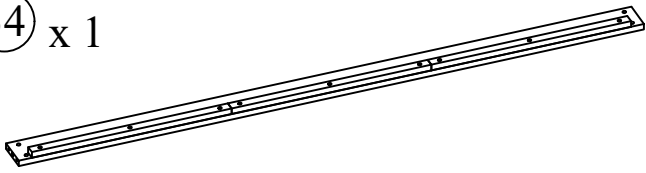
Hanging rail

Part List

<p>① x 1</p>  <p style="text-align: right;">Leg</p>	<p>② x 1</p>  <p style="text-align: right;">Leg</p>
<p>③ x 1</p>  <p style="text-align: right;">Leg</p>	<p>④ x 1</p>  <p style="text-align: right;">Leg</p>
<p>⑨ x 1</p>  <p style="text-align: right;">Side rail</p>	<p>⑩ x 1</p>  <p style="text-align: right;">Side rail</p>
<p>⑪ x 2</p>  <p style="text-align: right;">Guard rail</p>	<p>⑫ x 2</p>  <p style="text-align: right;">Guard rail</p>
<p>⑮ x 2</p>  <p style="text-align: right;">Crossbar</p>	<p>⑯ x 4</p>  <p style="text-align: right;">Guard rail</p>
<p>⑱ x 1</p>  <p style="text-align: right;">Slat support rail</p>	<p>⑲ x 1</p>  <p style="text-align: right;">Stair side bar</p>
<p>⑳ x 1</p>  <p style="text-align: right;">Stair side bar</p>	<p>⑳ x 1</p>  <p style="text-align: right;">Leg</p>
<p>㉓ x 2</p>  <p style="text-align: right;">Leg</p>	<p>㉓ x 1</p>  <p style="text-align: right;">Leg</p>

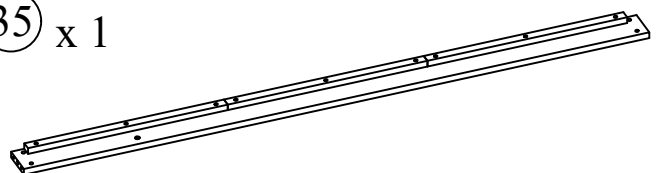
Part List

34 x 1



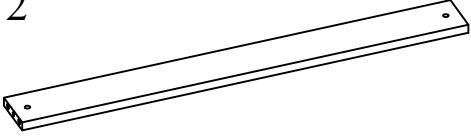
Side rail

35 x 1



Side rail

36 x 2



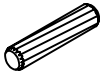

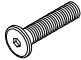
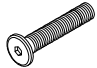















Crossbar

46 x 2



Support bar




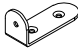

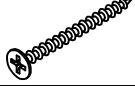
Hardware List

No.	OUTLOOK	DESC	QTY
(A)		Dowel Ø10*40mm	74
(B)		Bolts 1/4"*20mm	02
(C)		Bolts 1/4"*25mm	16
(D)		Bolts 1/4"*35mm	05
(E)		Bolts 1/4"*50mm	02
(F)		Bolts 1/4"*60mm	12
(G)		Bolts 1/4"*80mm	29
(H)		Bolts 1/4"*100mm	34
(I)		Cross dowel 1/4"*13mm	74
(J)		Hex bolts 1/4"*15mm	10
(K)		Round Head Screw #7*15mm	08
(L)		Screws #7*12mm	40
(M)		Screws #8*30mm	91
(N)		Screws #8*35mm	31
(O)		Connecting Bolt	04
(P)		Armbak - Straight Cylinder	04
(Q)		Insert	04
(R)		Patt L small	10
(S)		Patt U	02

ASSEMBLY TOOLS REQUIRED (NOT INCLUDED)



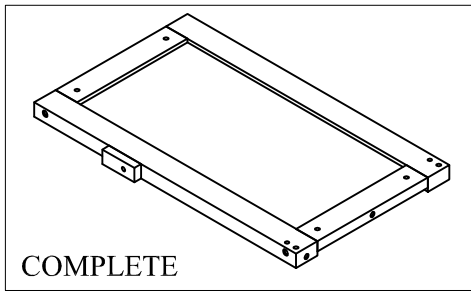
Hardware List

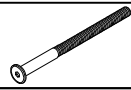

No.	OUTLOOK	DESC	QTY
T		Allen key 60*22*4mm	02
U		Connecting Bolt	08
V		Plastic stopper	04
W		Patt L	02
X		Screws #8*20mm	06
Y		Screws #8*50mm	04

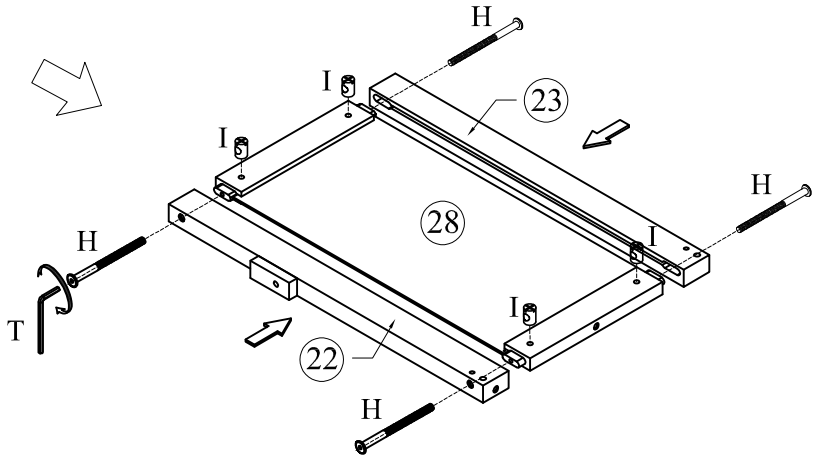
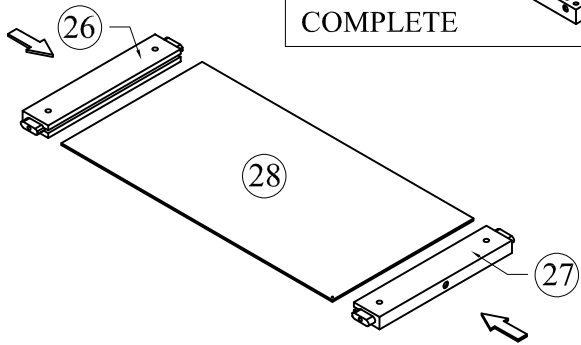
ASSEMBLY TOOLS REQUIRED (NOT INCLUDED)



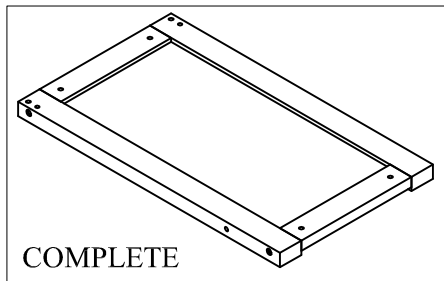
STEP 1

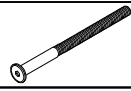



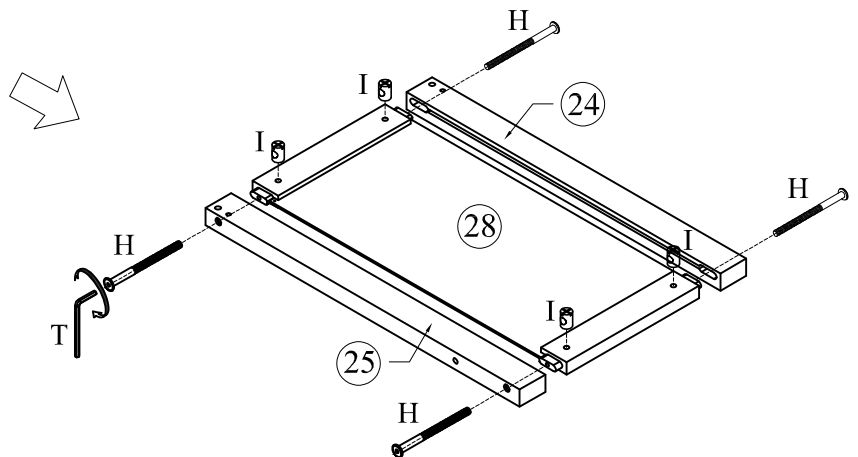
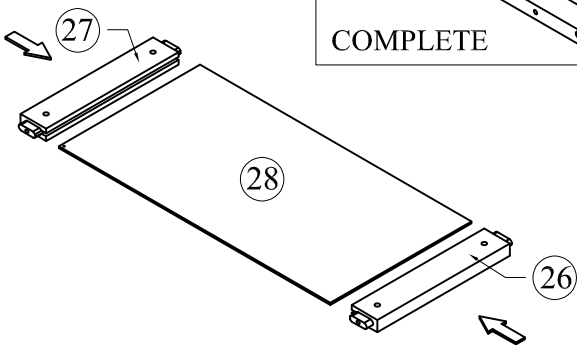
(H)		04
(I)		04



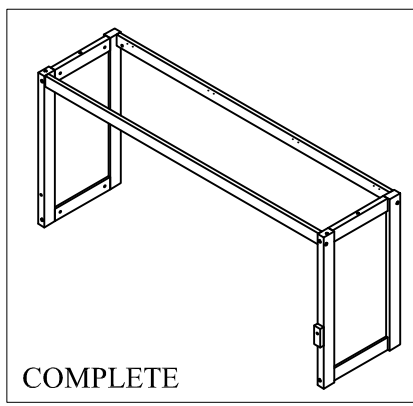
STEP 2



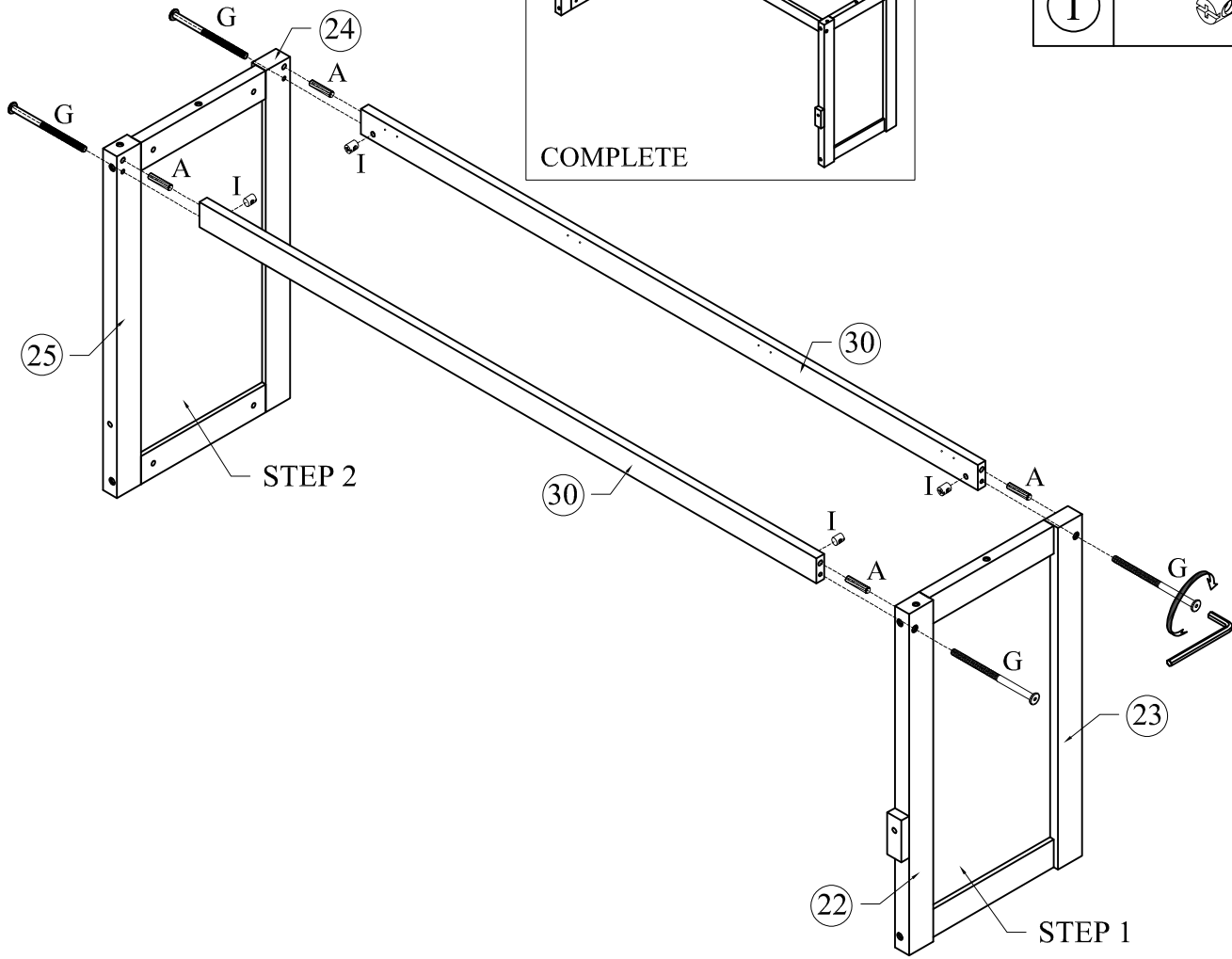
(H)		04
(I)		04



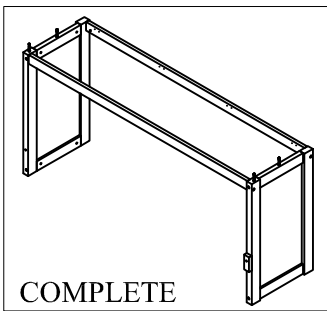
STEP 3



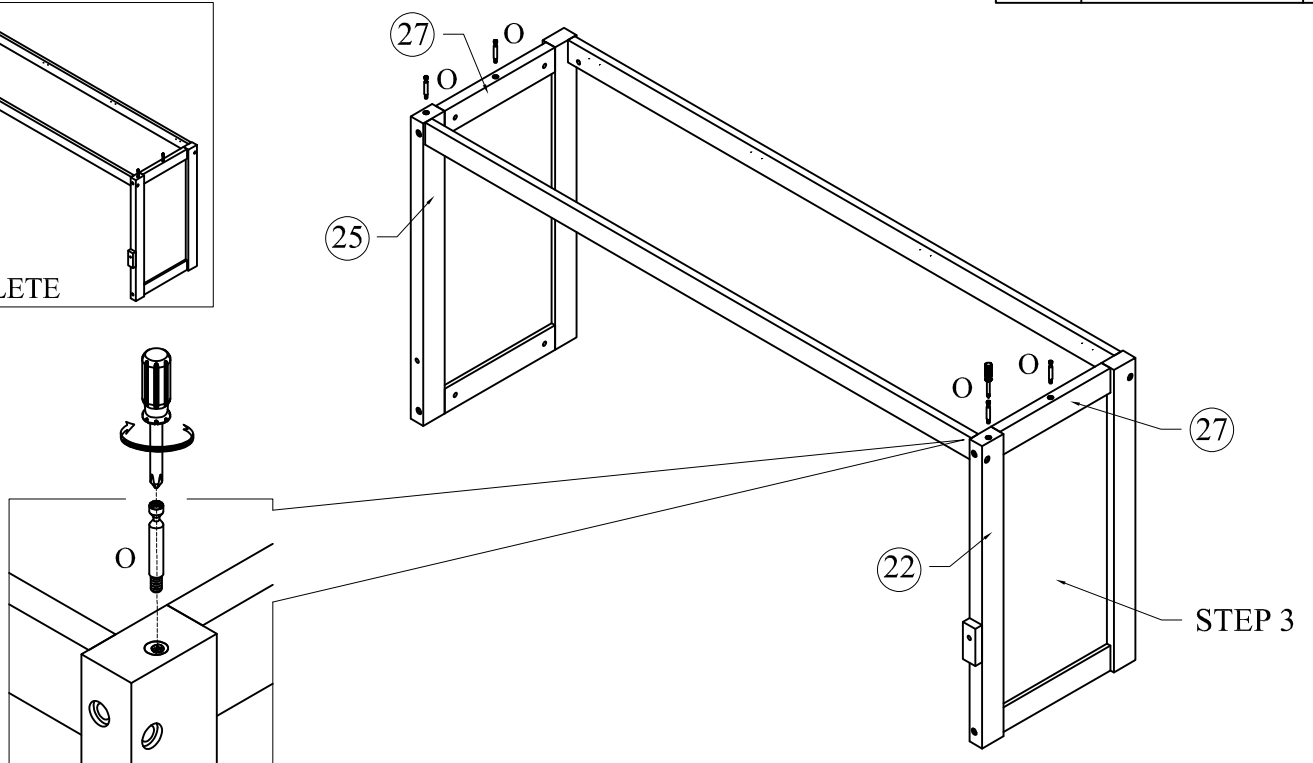
(A)		04
(G)		04
(I)		04





STEP 4

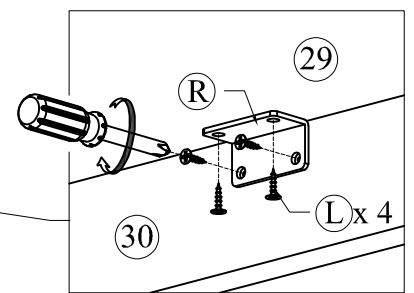
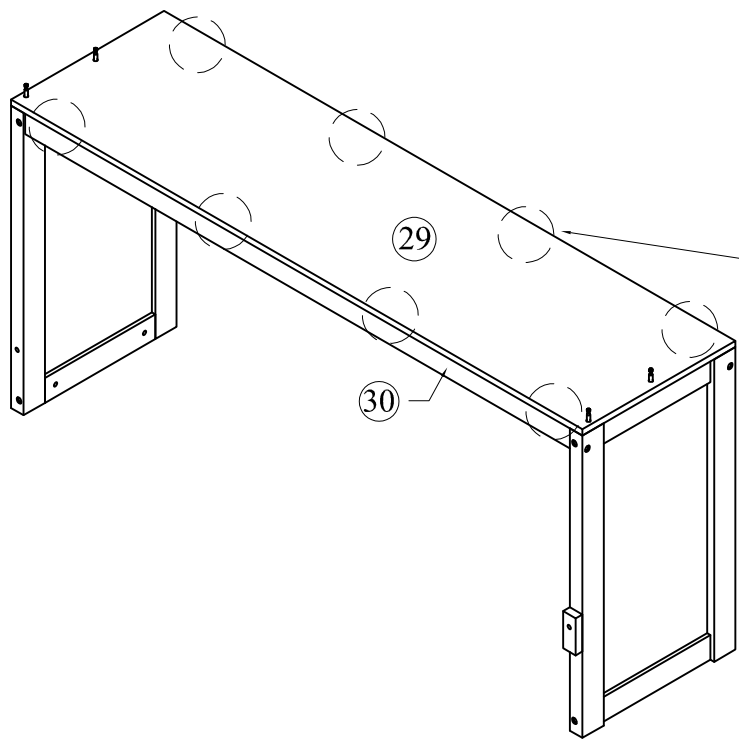
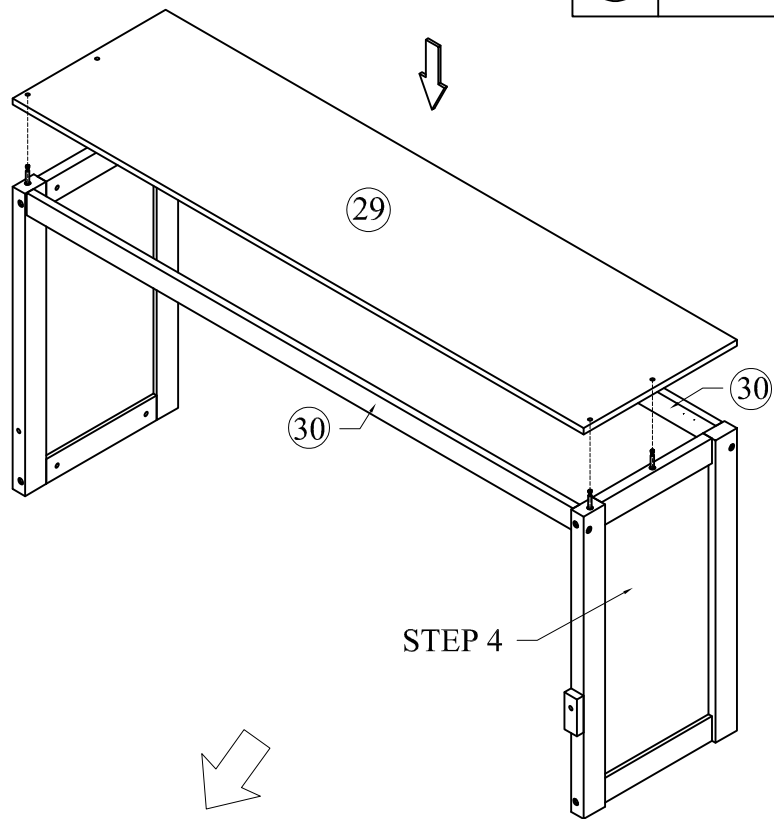
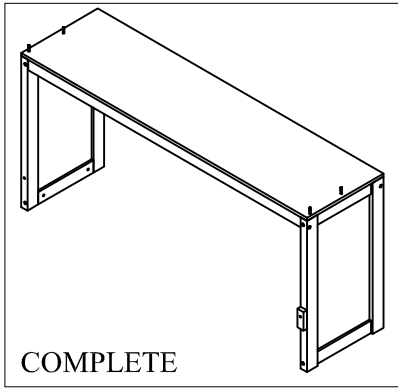


(O)		04
-----	--	----



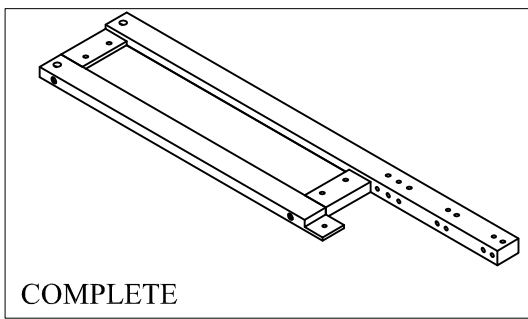
STEP 5

(R)		08
(L)		32

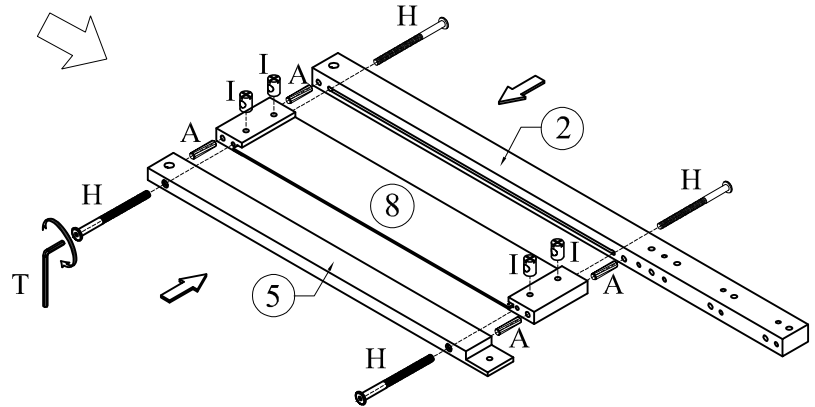
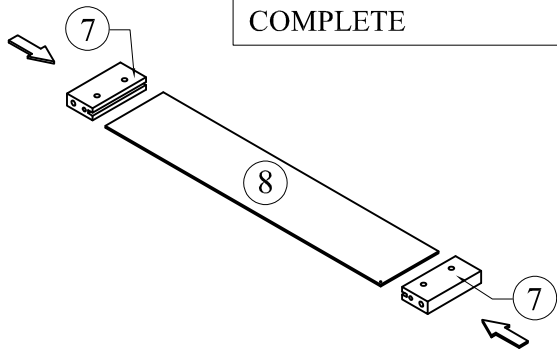


Install Patt L (R) into 8 positions with pre-drilled guide holes on the underside to connect parts 29 and 30.

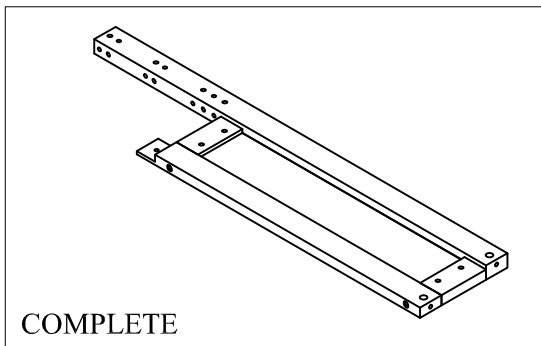
STEP 6



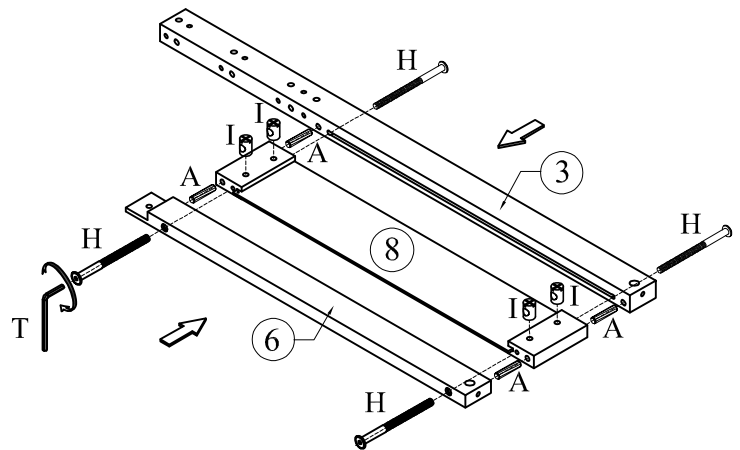
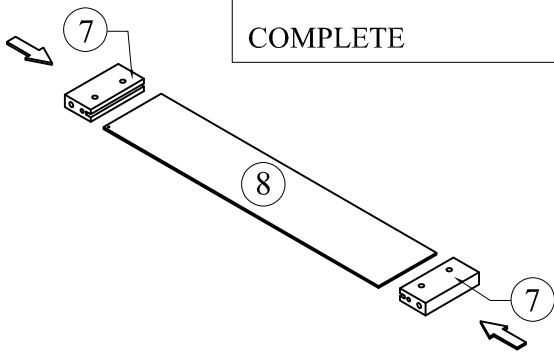
(A)		04
(H)		04
(I)		04



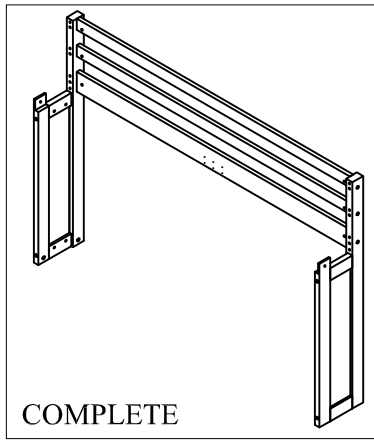
STEP 7



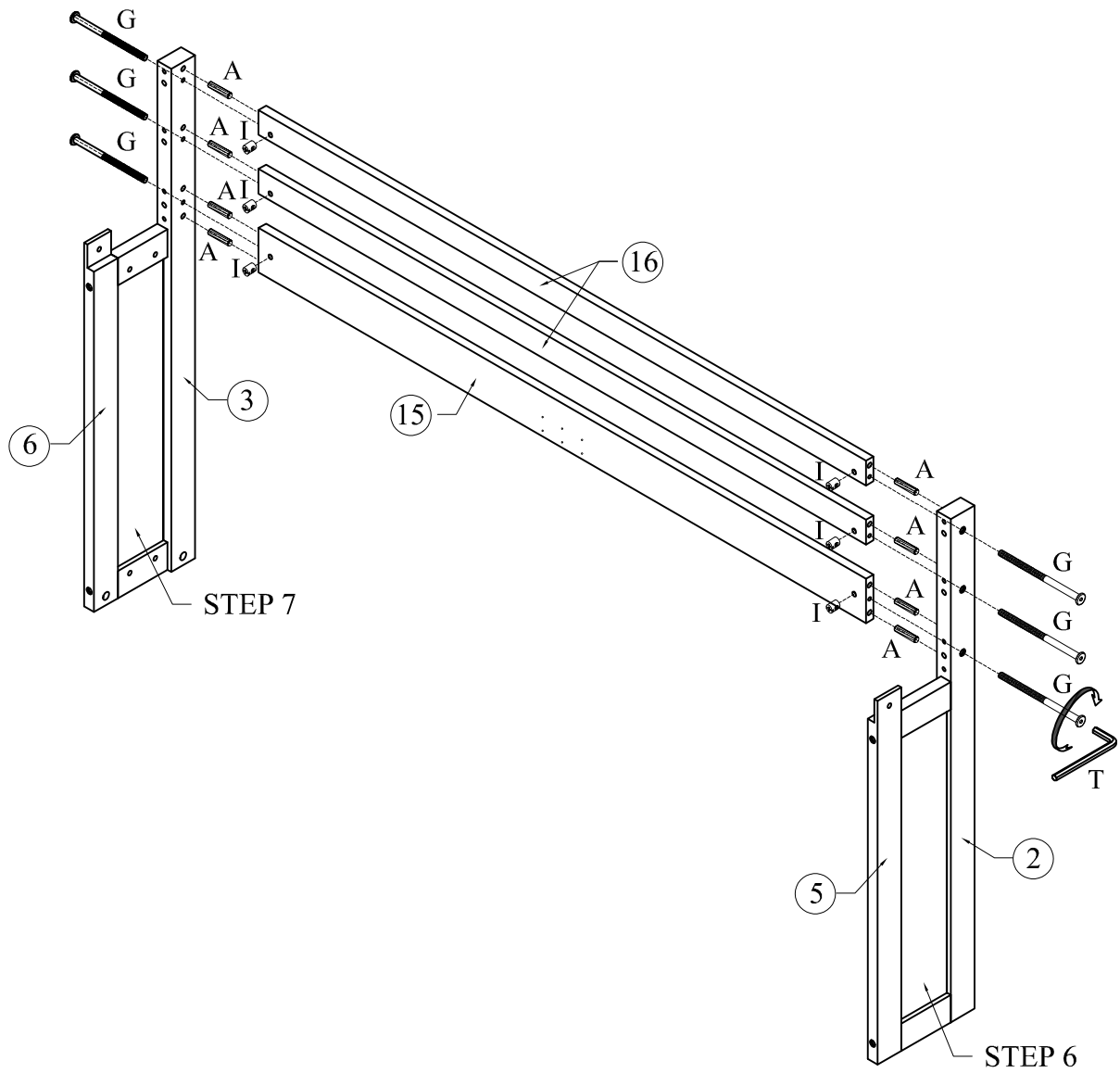
(A)		04
(H)		04
(I)		04



STEP 8

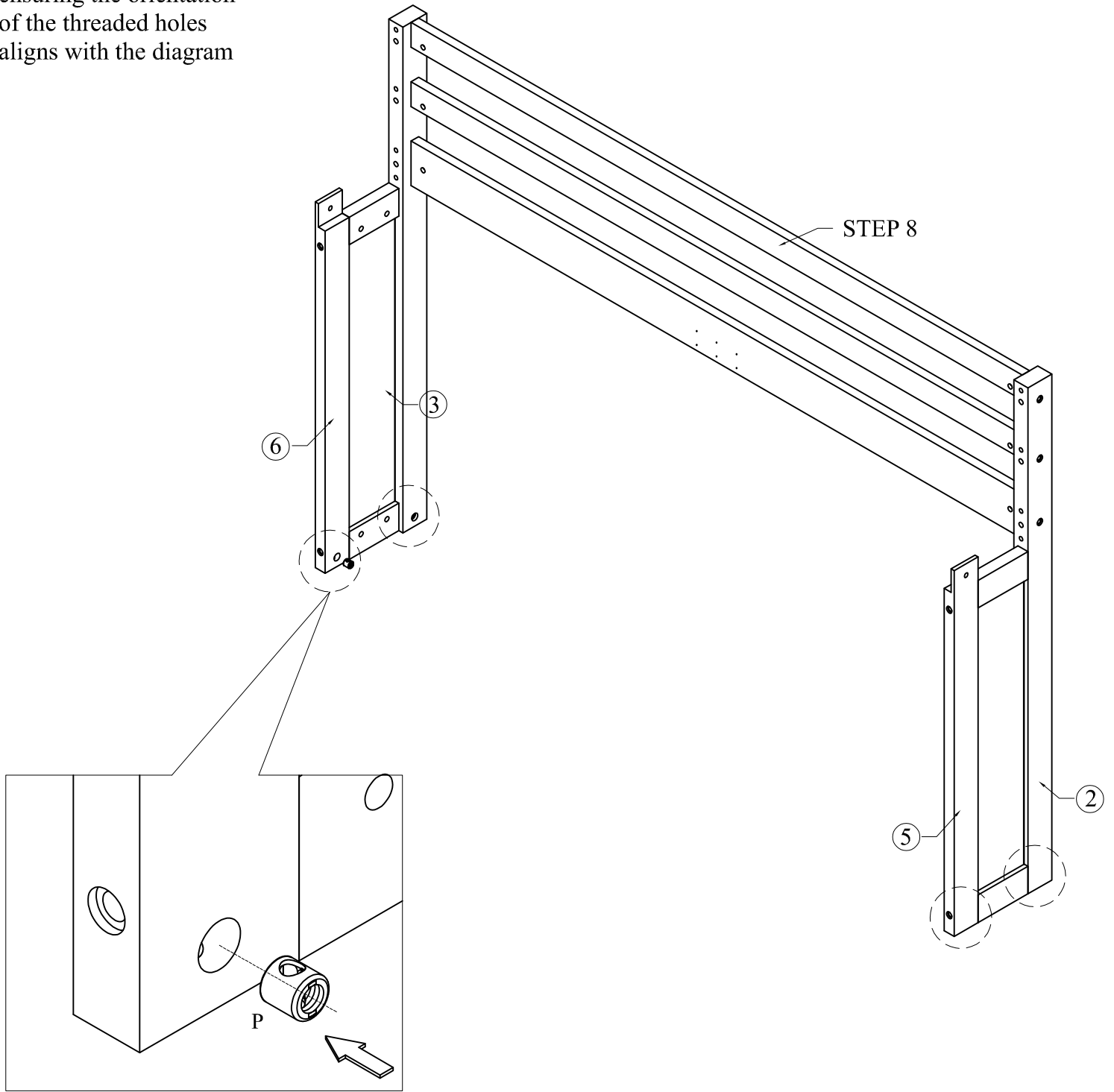


(A)		08
(G)		06
(I)		06



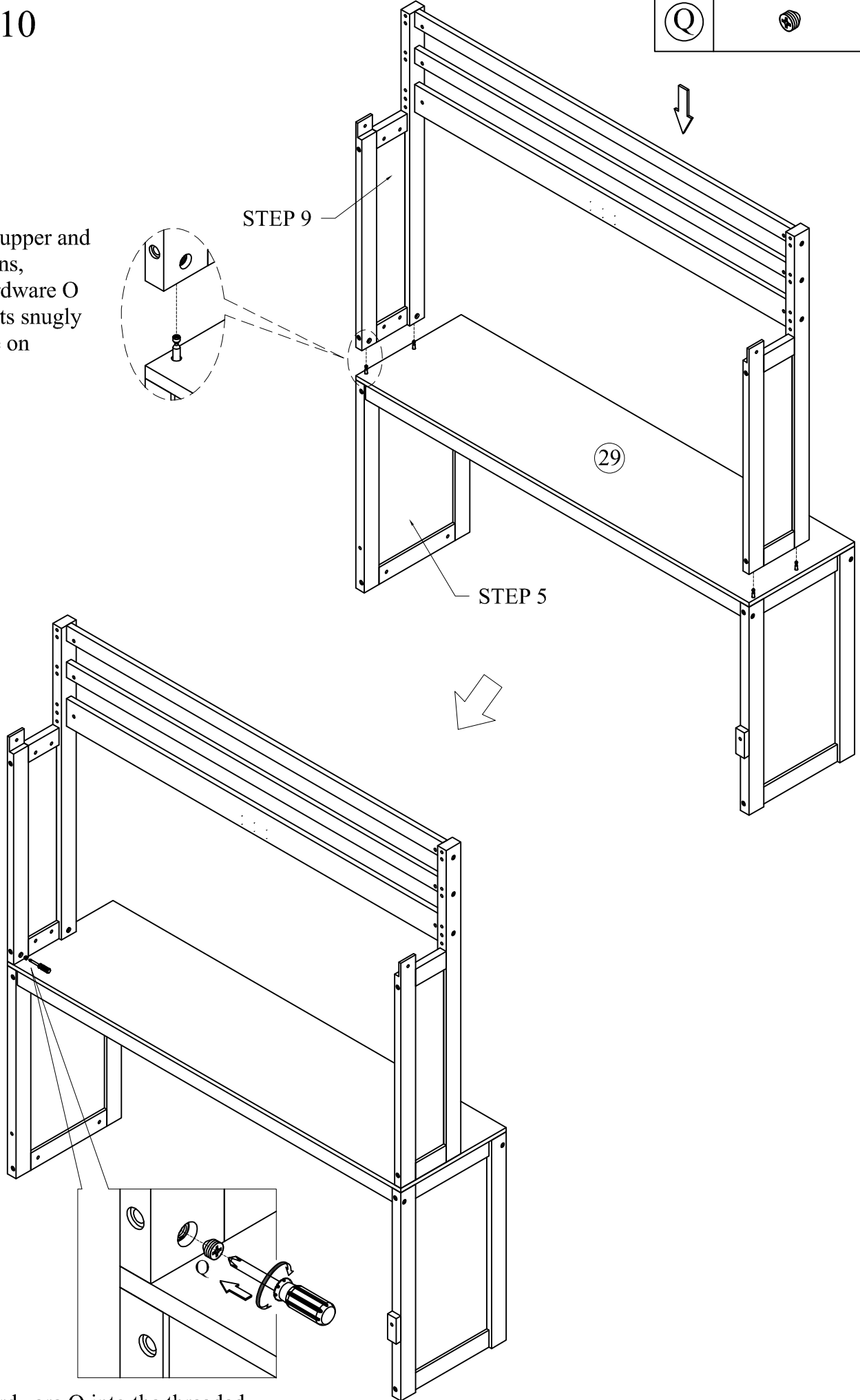
STEP 9

* Install hardware P into the holes at the four connection points, ensuring the orientation of the threaded holes aligns with the diagram



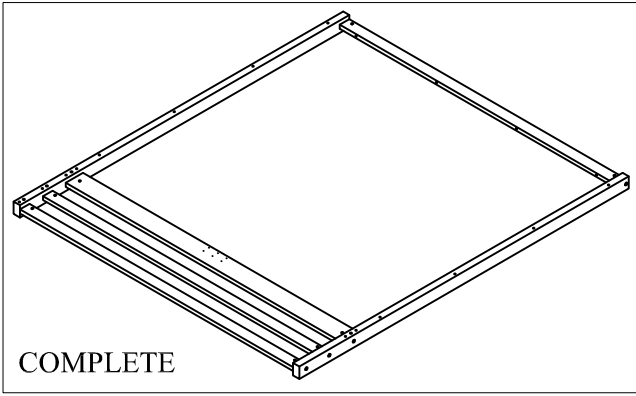
STEP 10

* Join the upper and lower sections, ensuring hardware O aligns and fits snugly into the hole on hardware P.

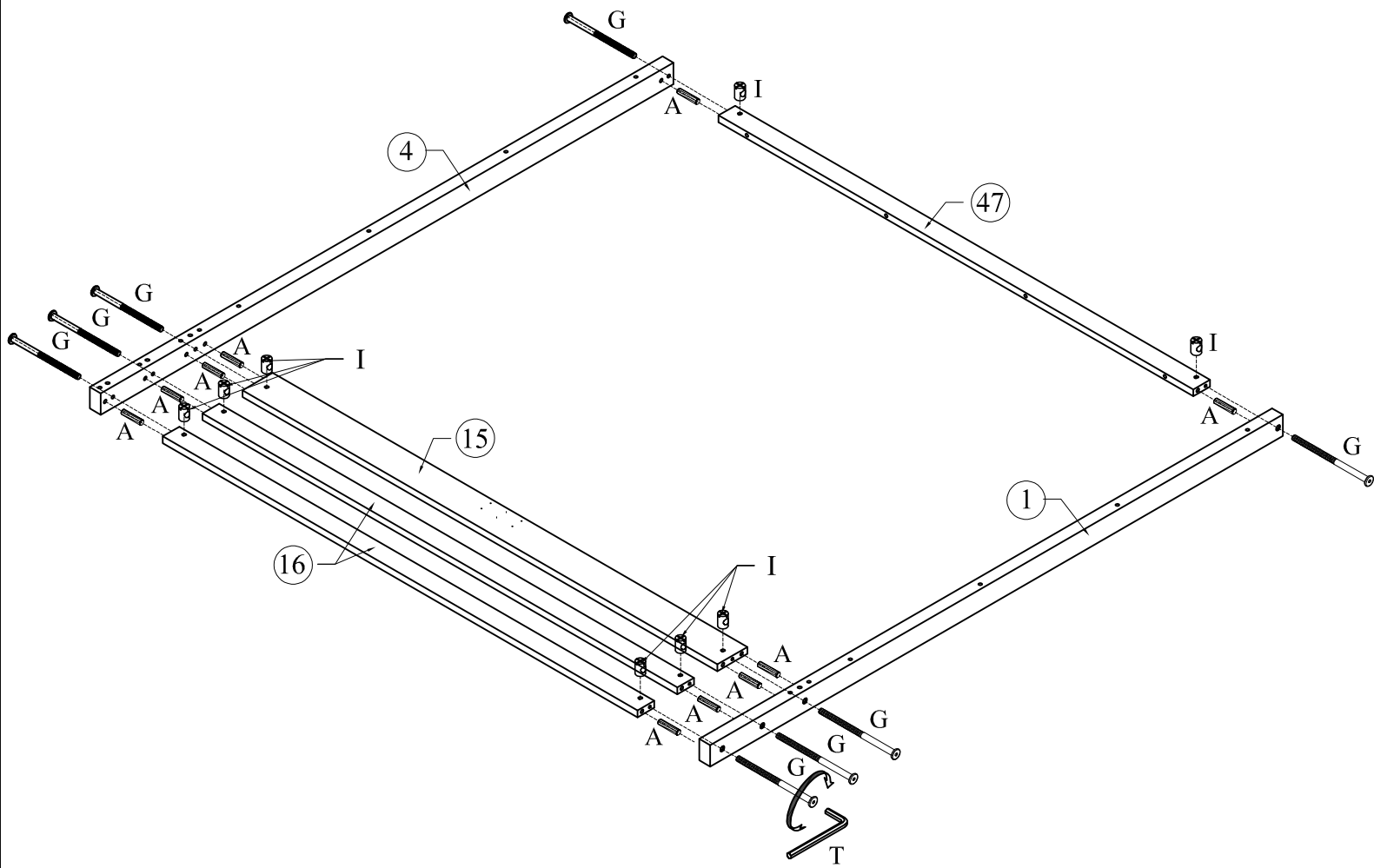


Tighten hardware Q into the threaded hole on hardware P.



STEP 11

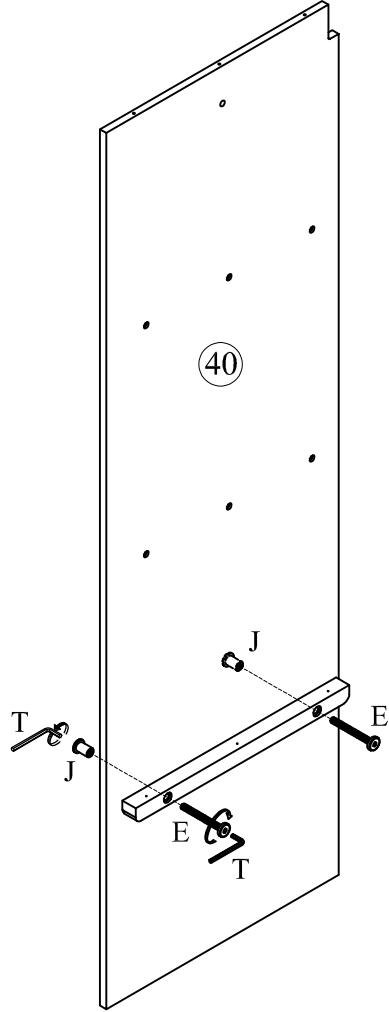
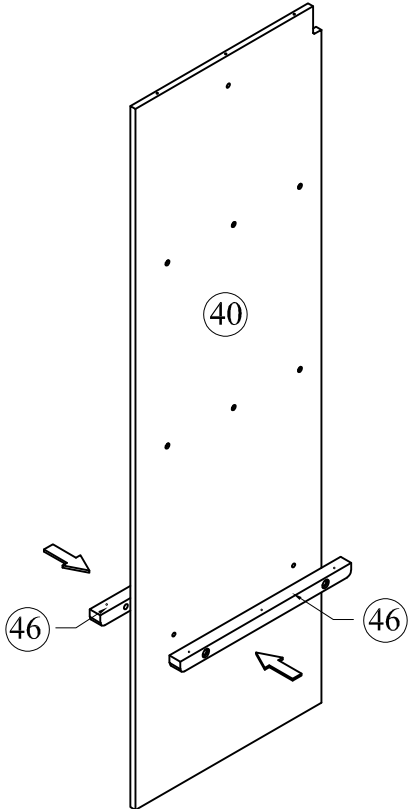
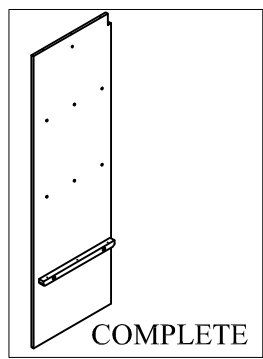


(A)		10
(G)		08
(I)		08

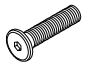


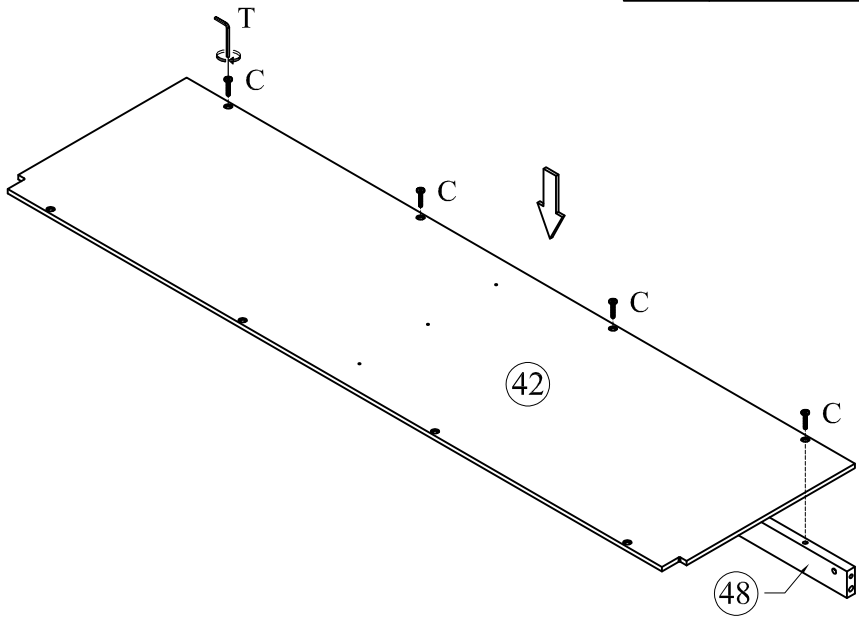
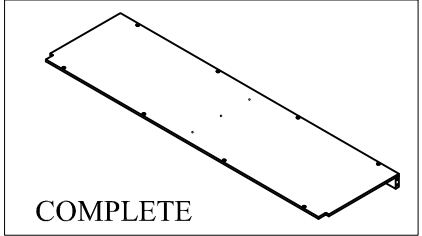
STEP 12

(E)		02
(J)		02






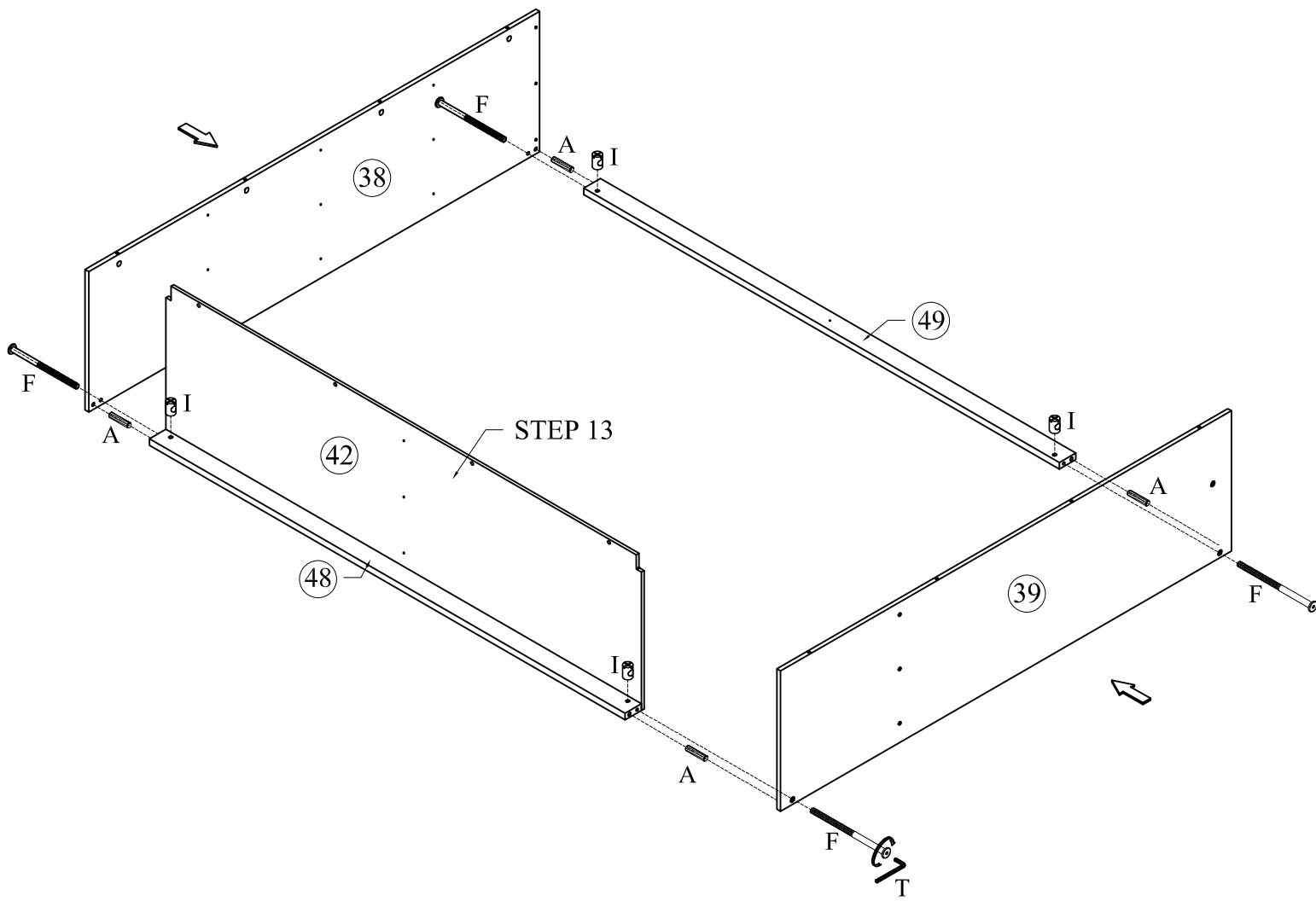
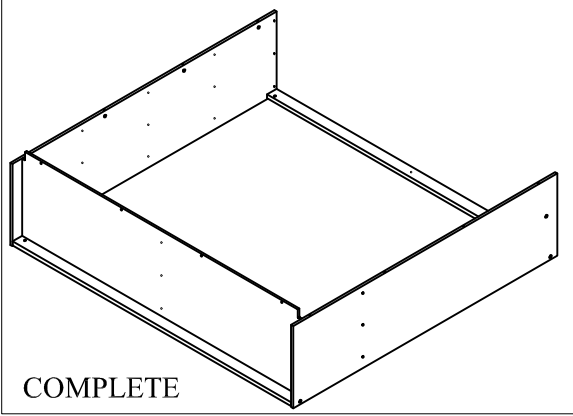
STEP 13

(C)		04
-----	---	----



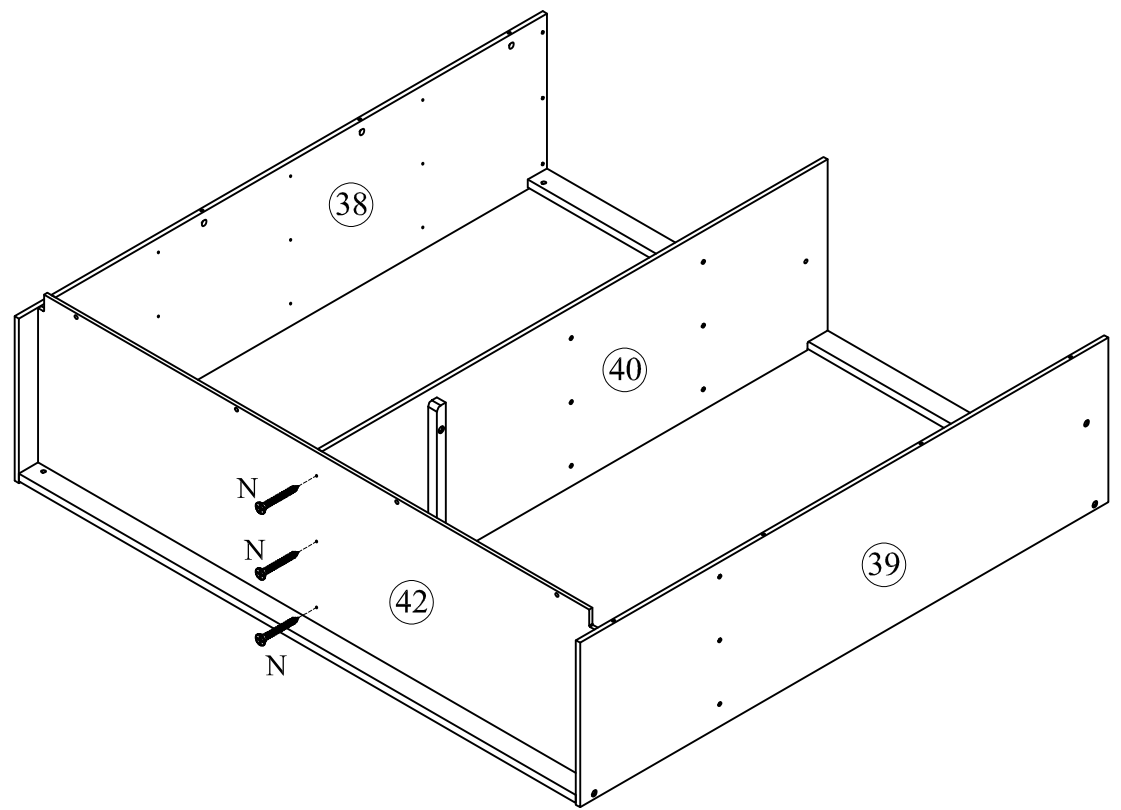
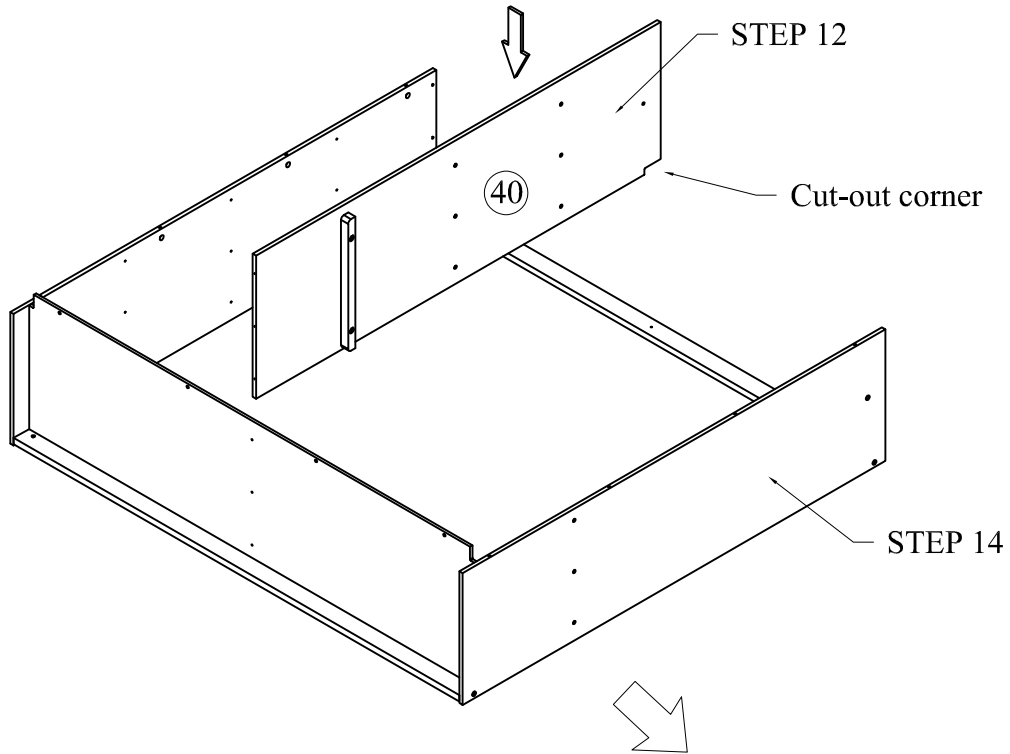
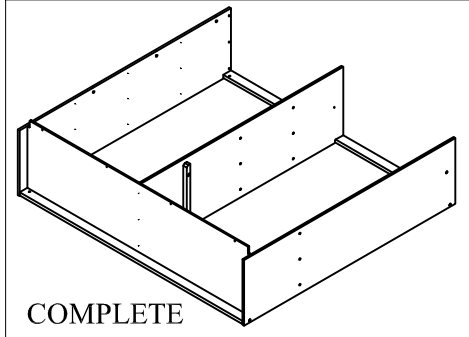
STEP 14

(A)		04
(F)		04
(I)		04



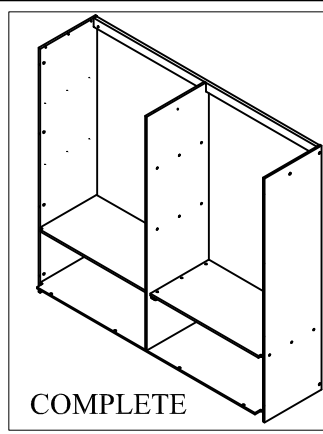
STEP 15

N		03
---	---	----

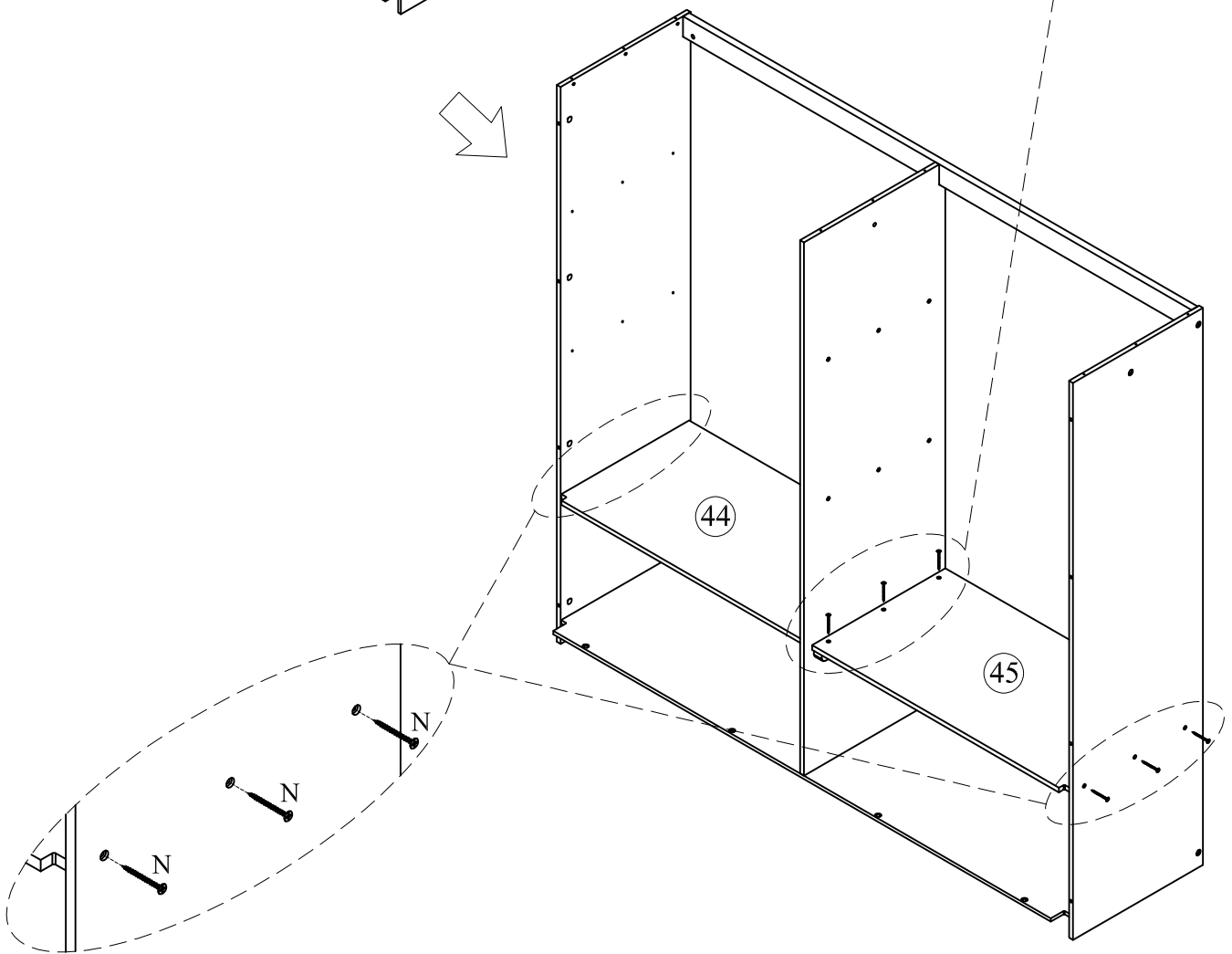
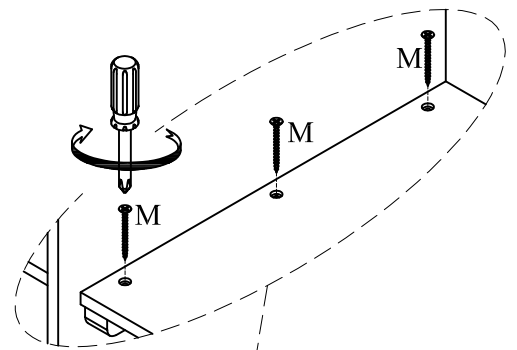
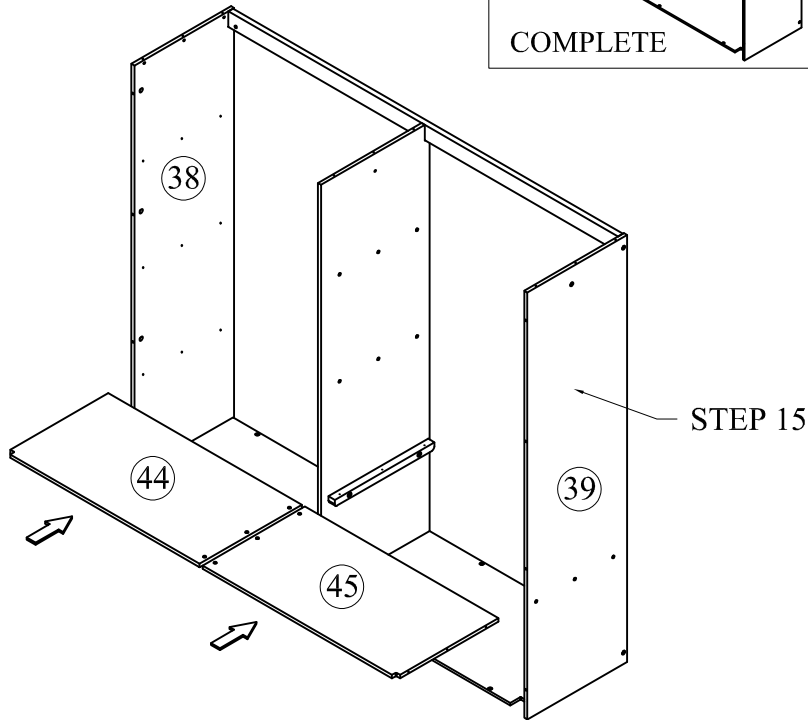


STEP 16


Stand up the parts from step 15 and continue.

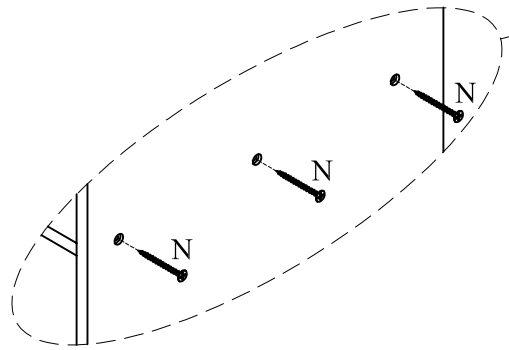
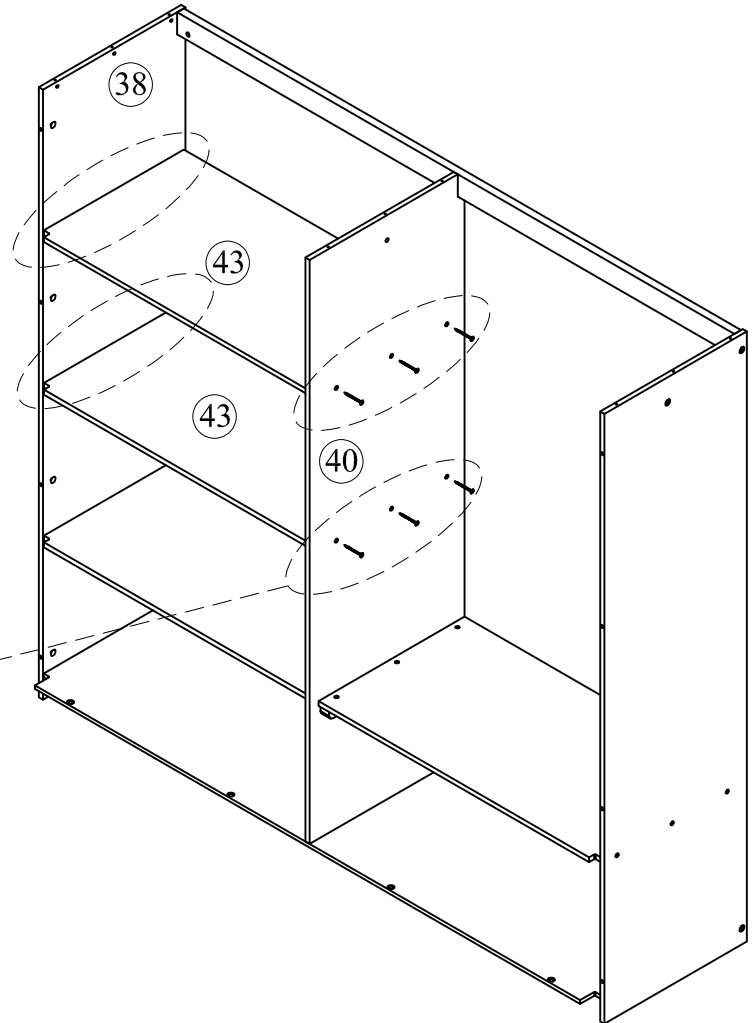
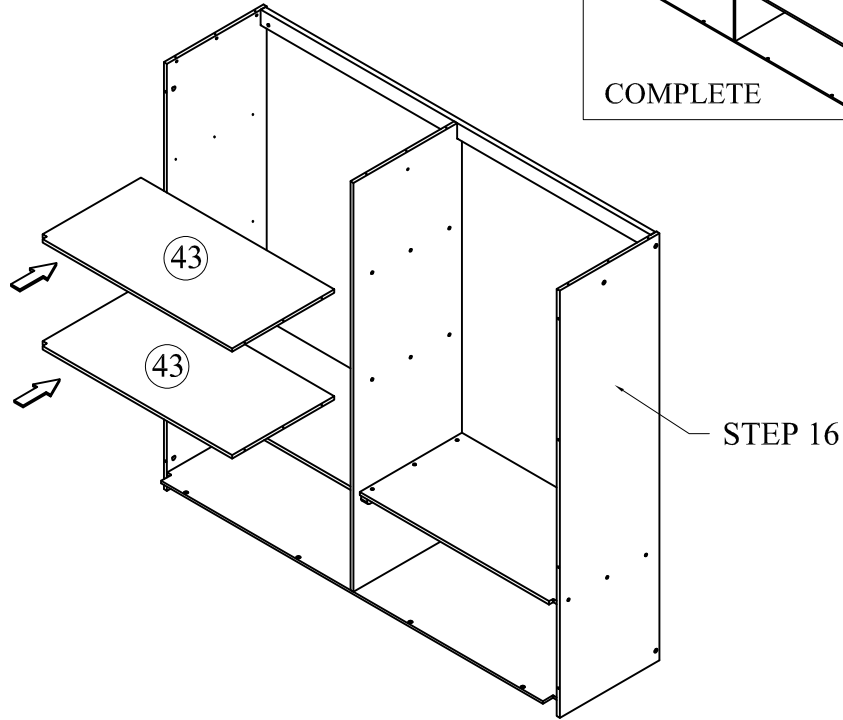
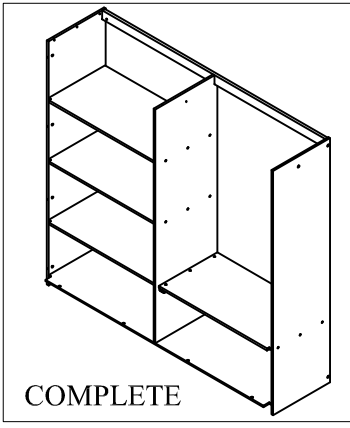


(M)		06
(N)		06

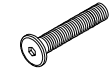


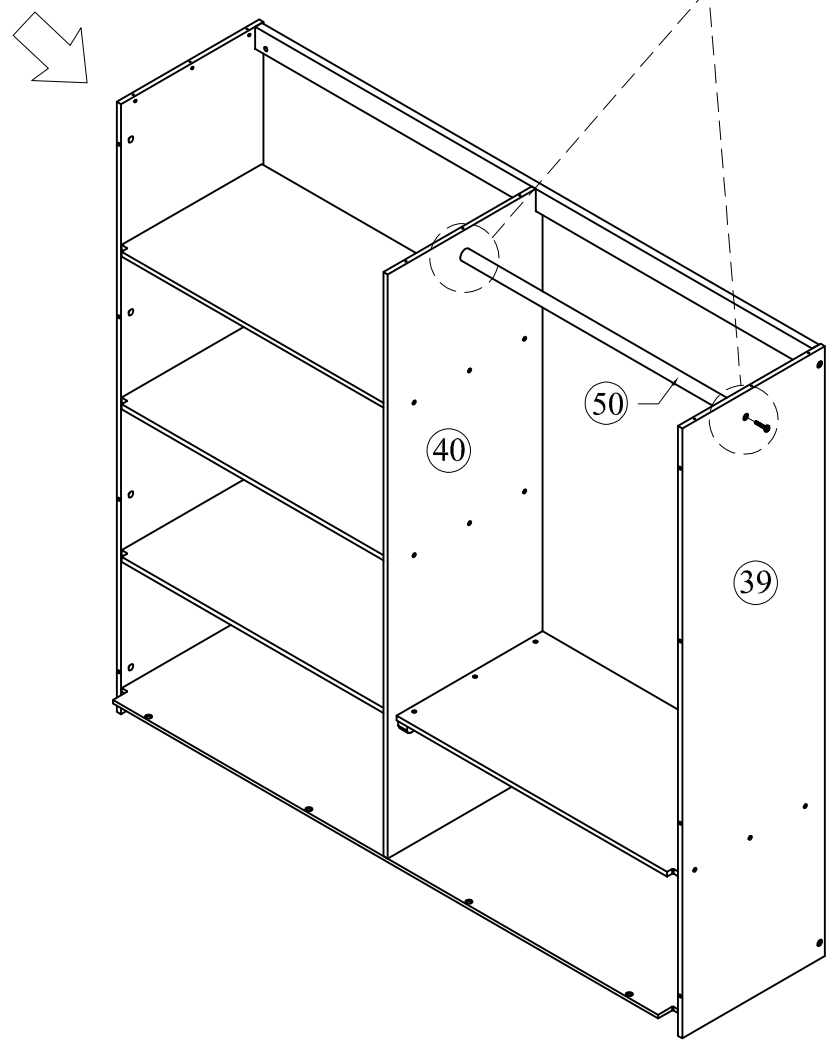
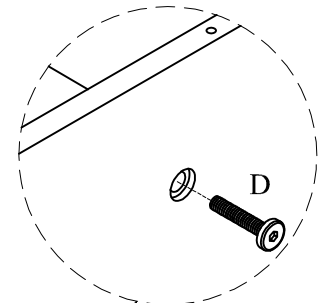
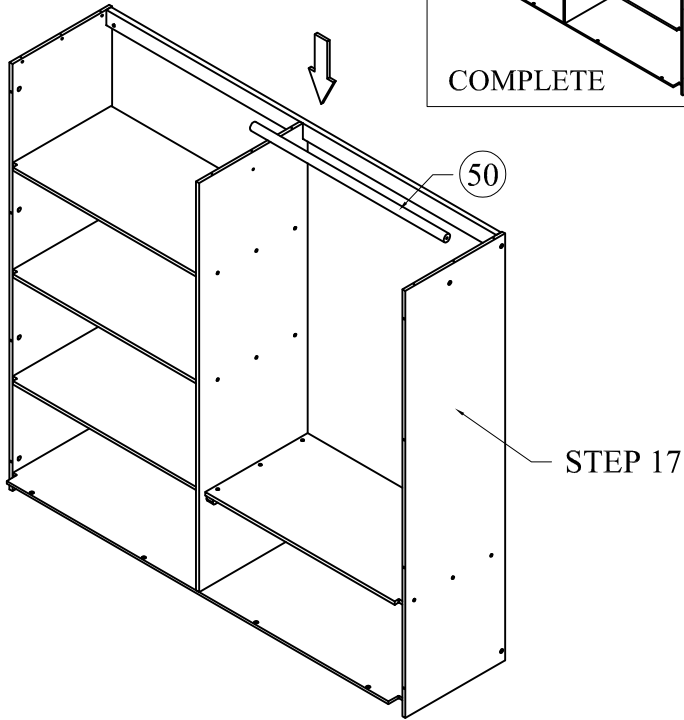
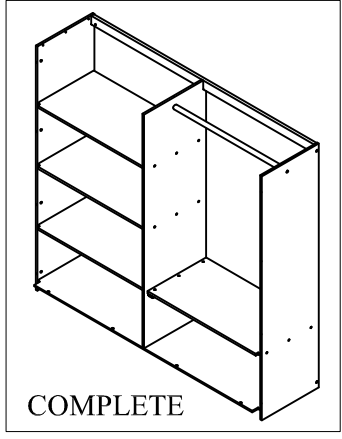
STEP 17

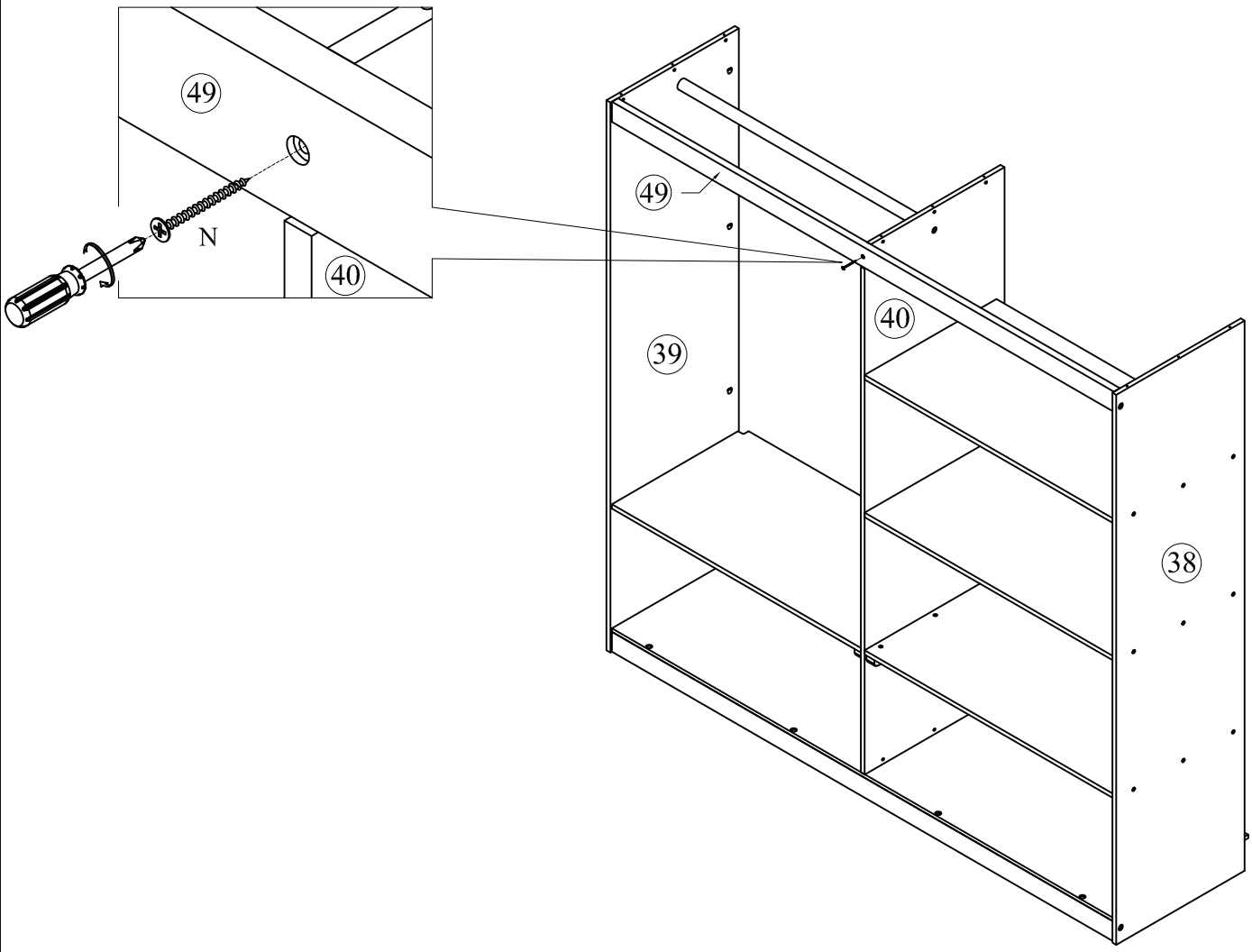
N		12
---	---	----





STEP 18

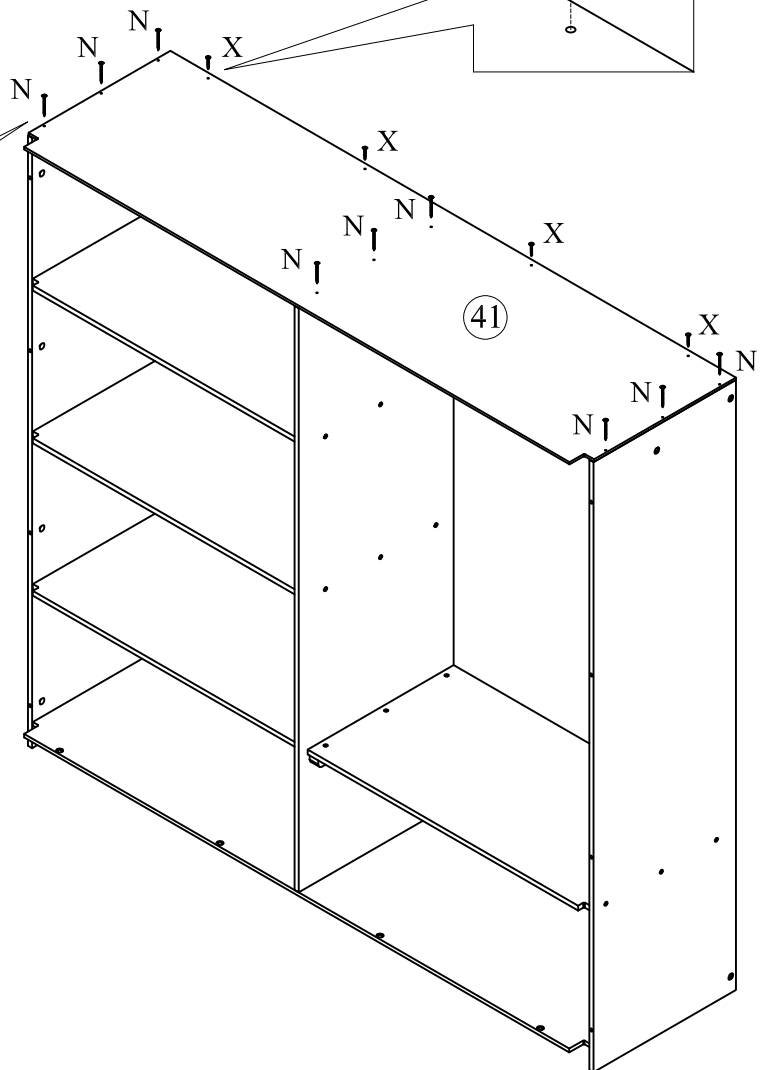
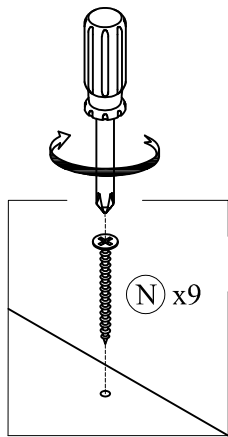
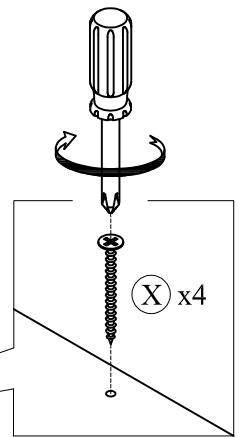
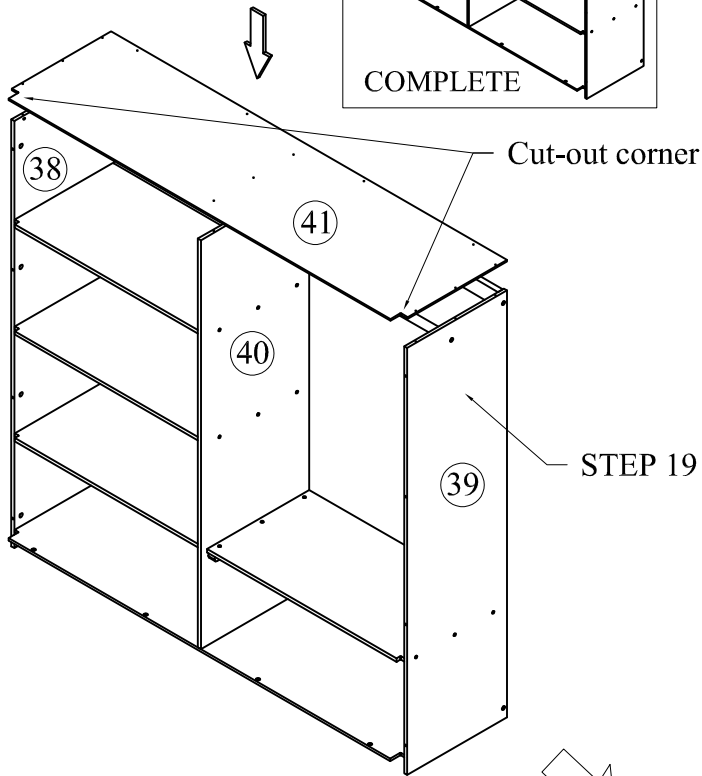
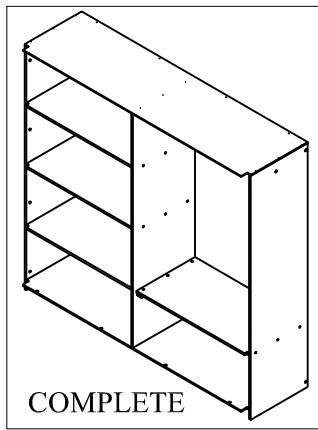
D		02
---	---	----





STEP 20

(N)		09
(X)		04

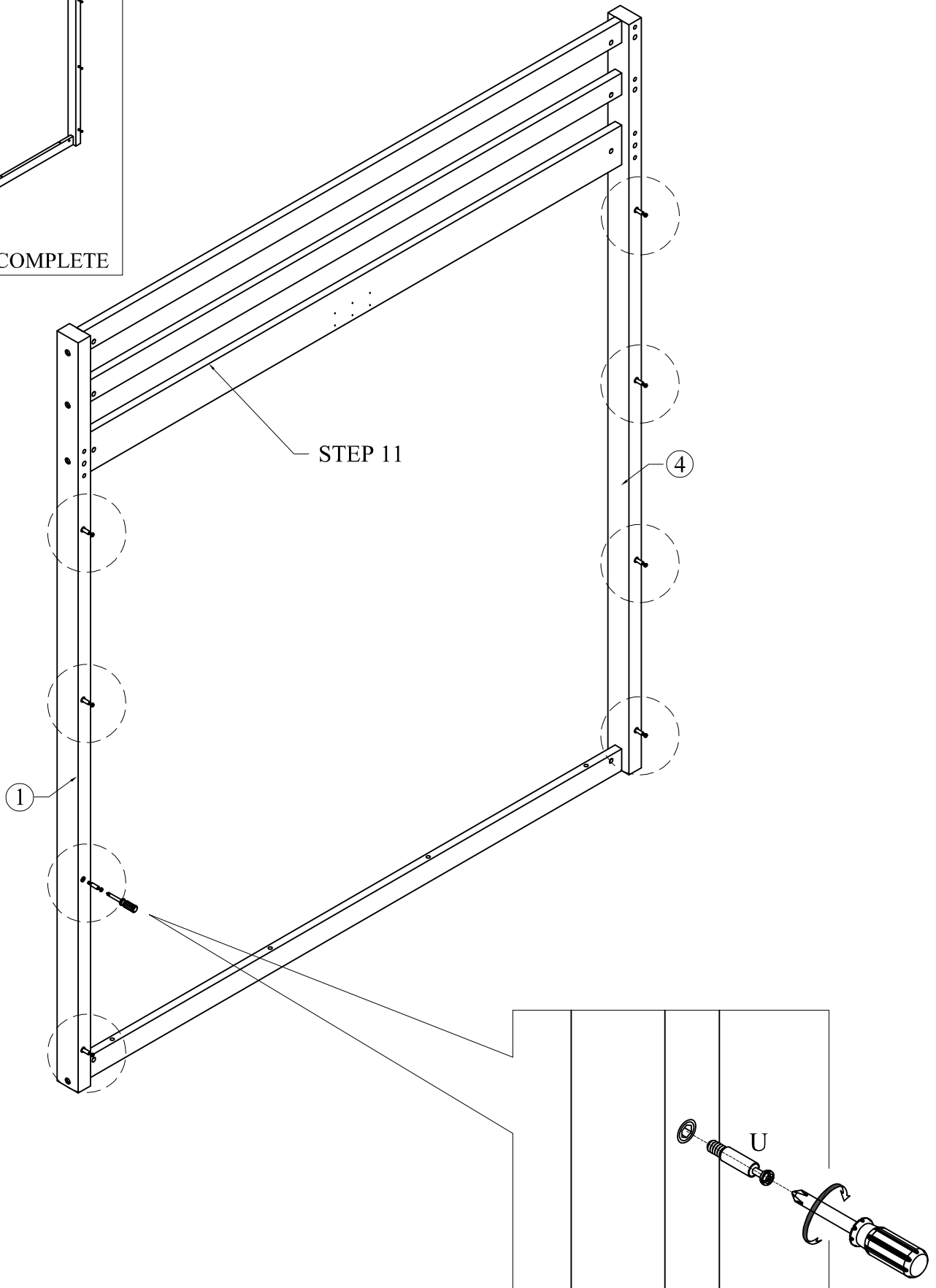
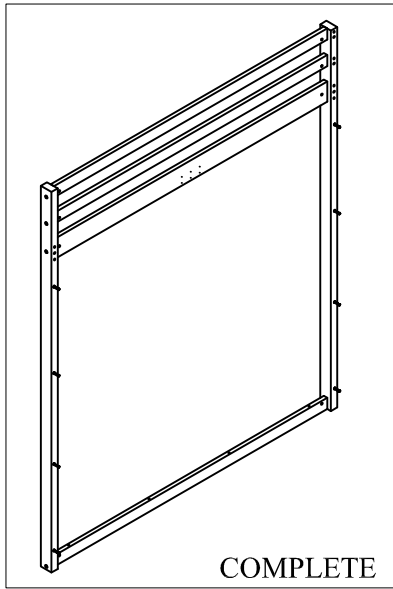


STEP 21

U



08

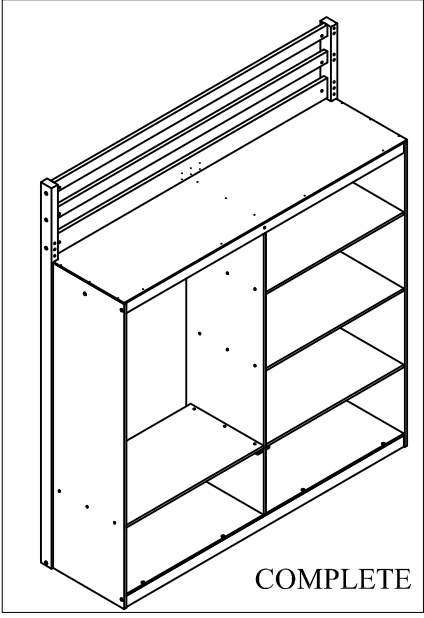


STEP 22

U

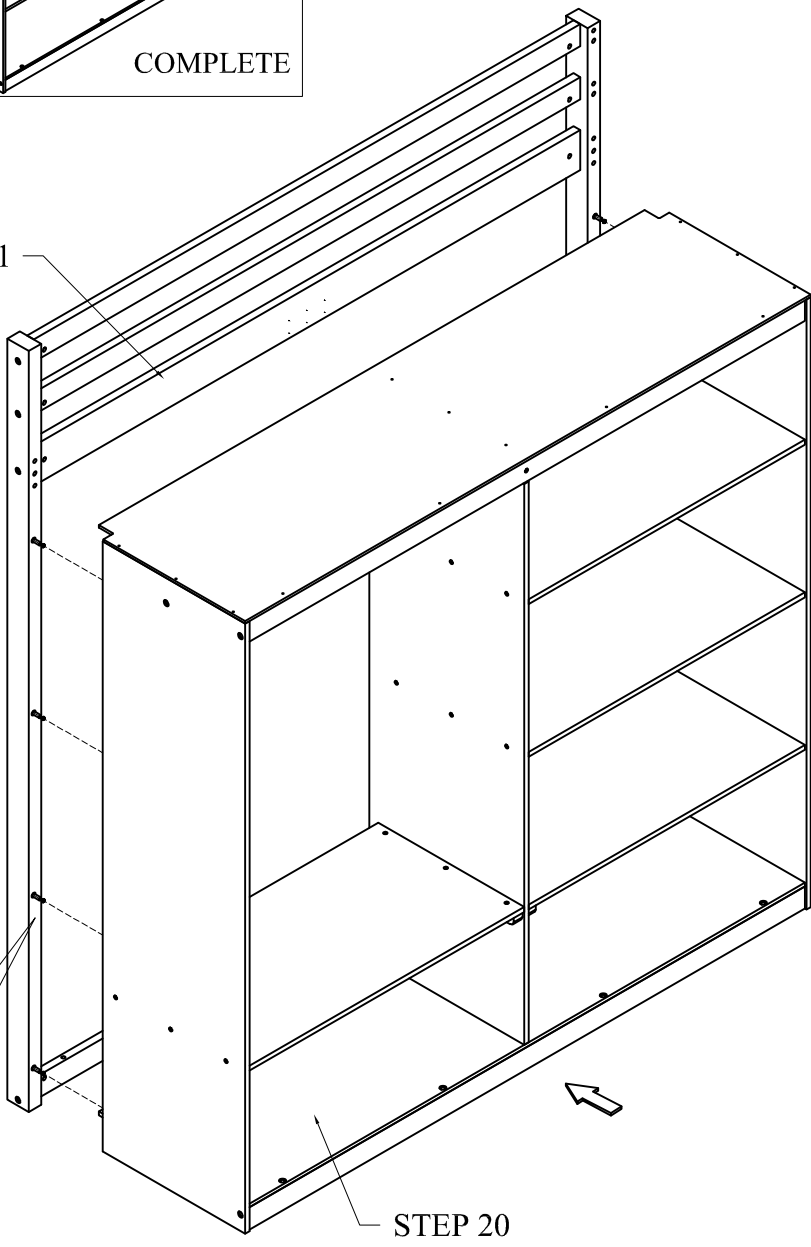


08

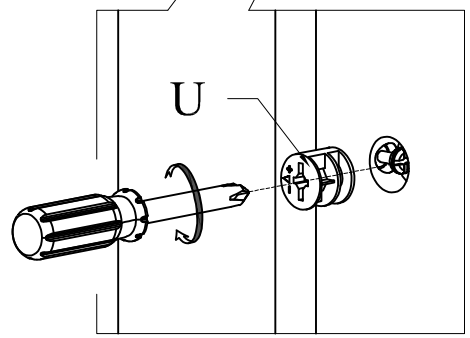


* Use hardware U to connect the assemblies from steps 20 and 21 through.

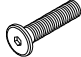
STEP 21

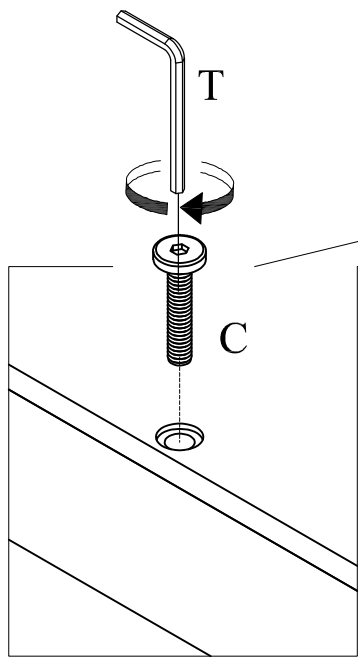
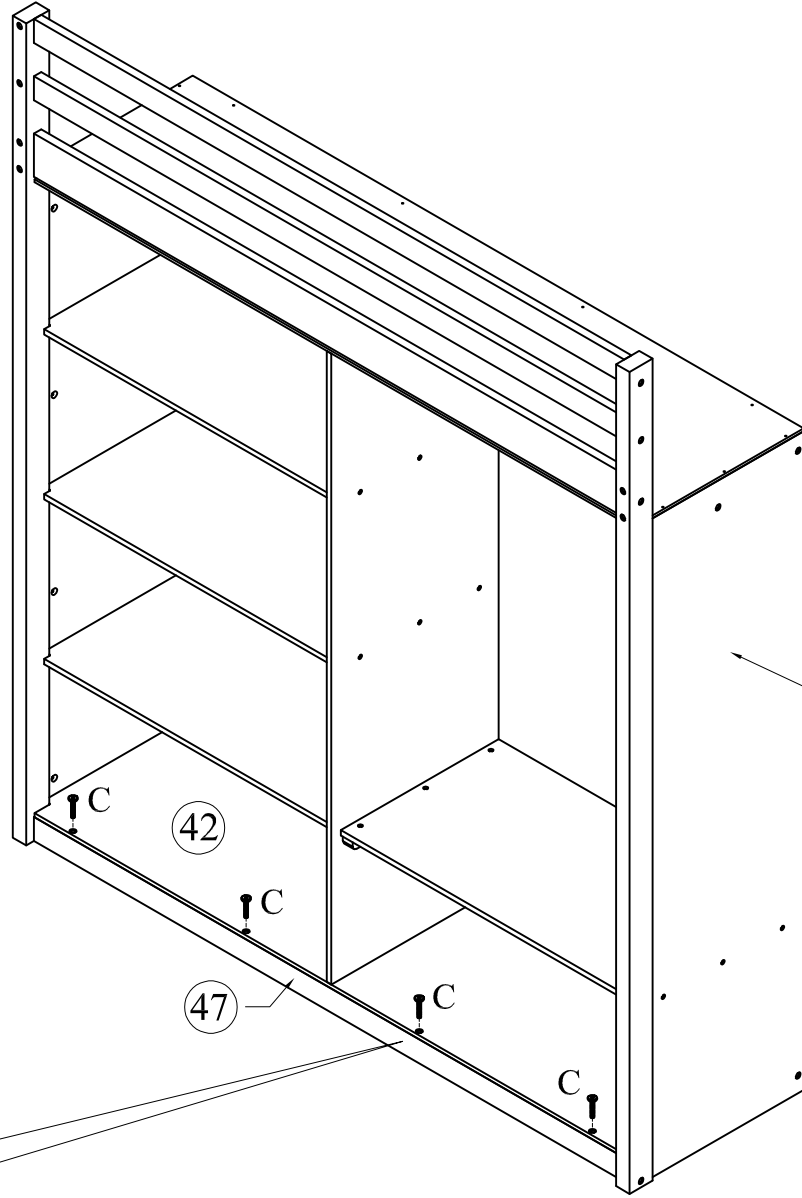
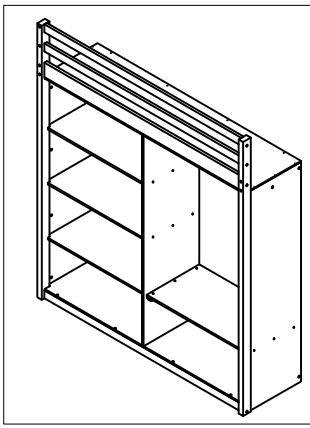


STEP 20


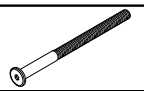



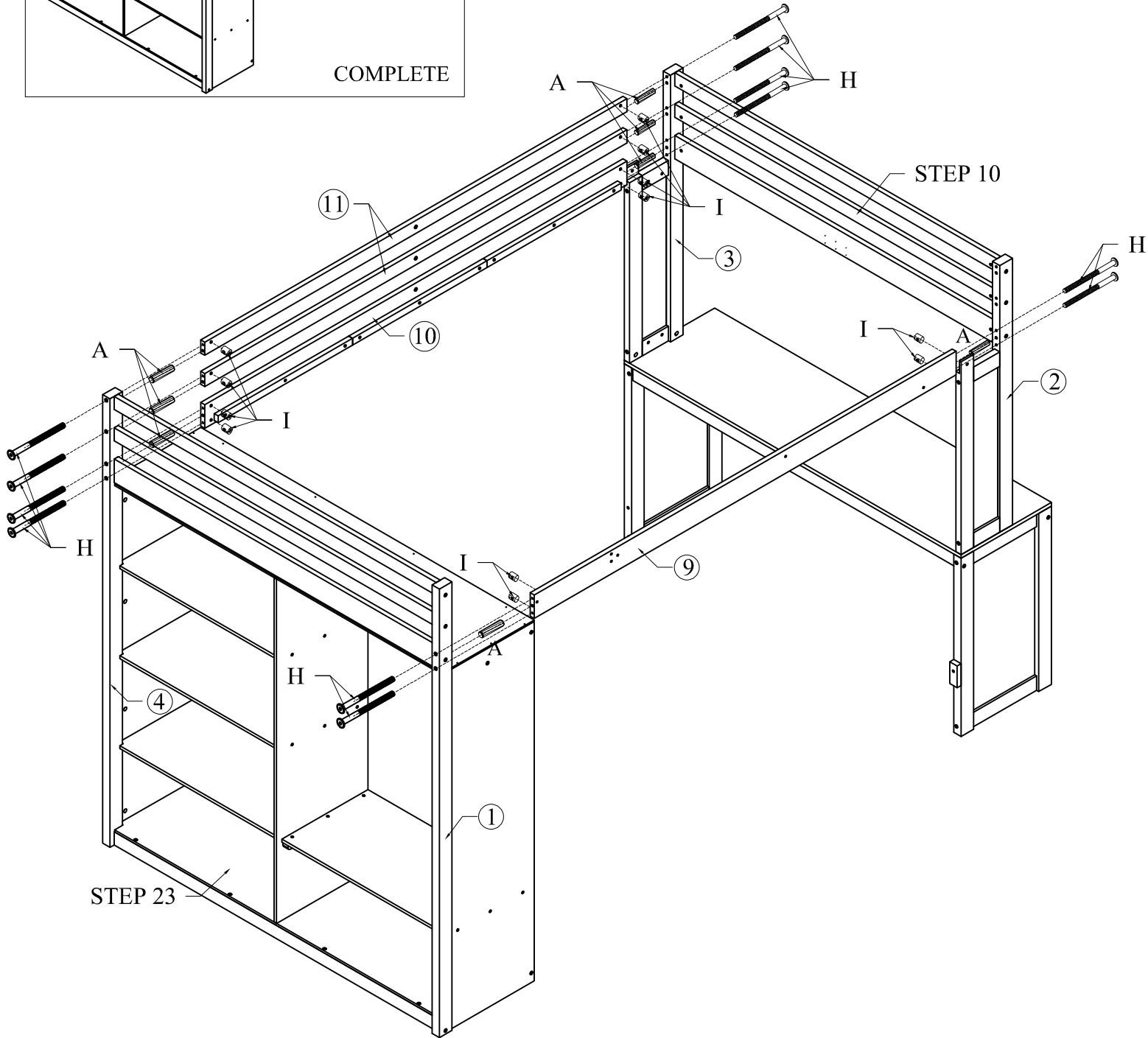
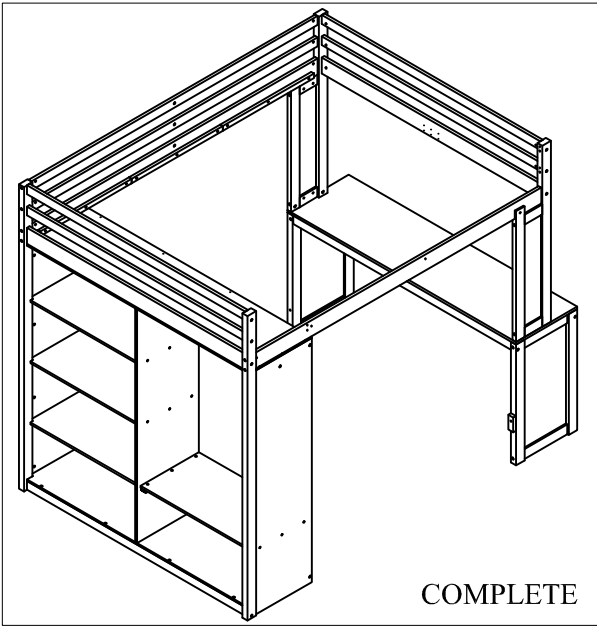
STEP 23

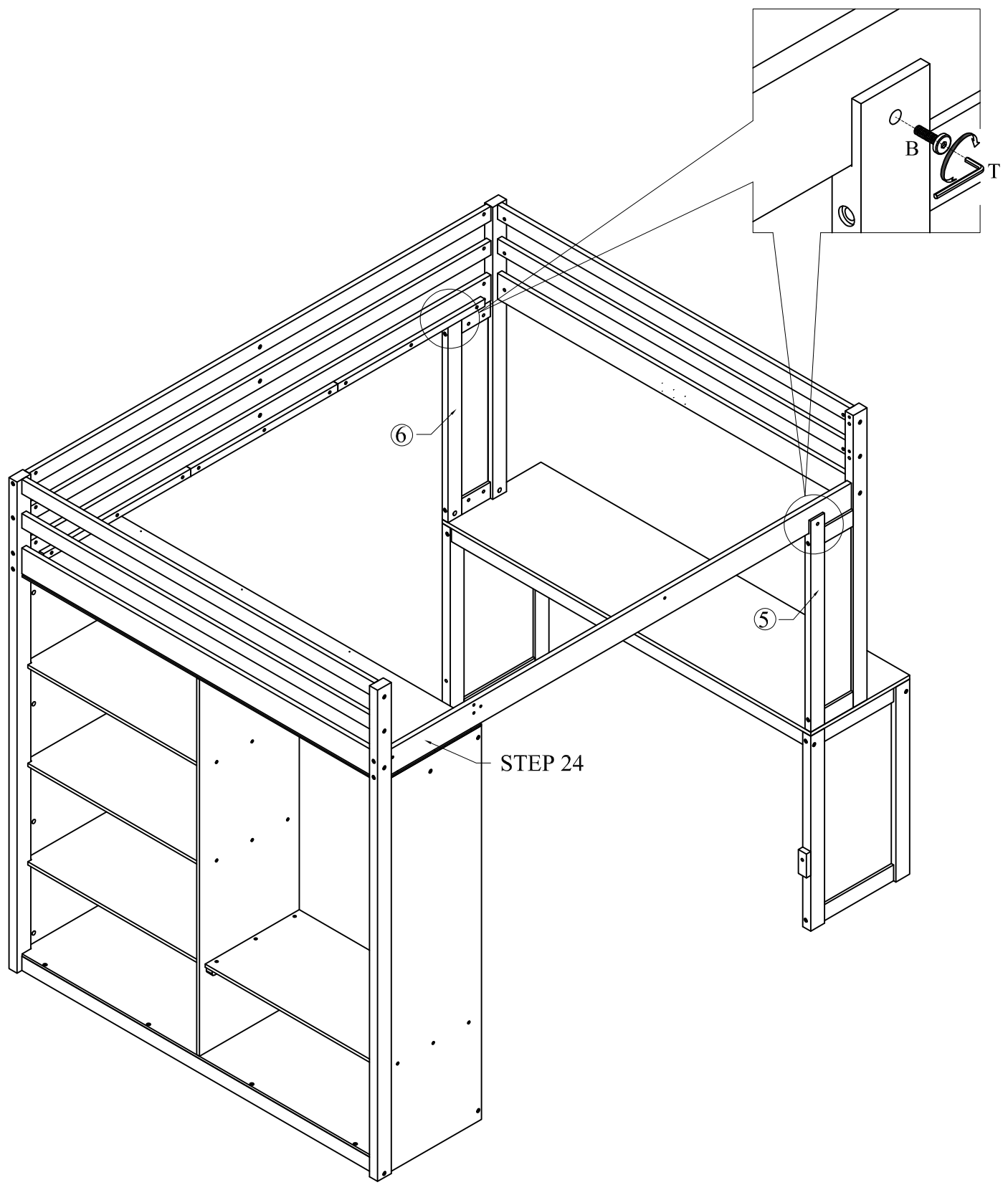
C		04
---	---	----



STEP 24

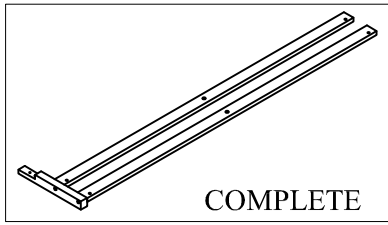
(A)		08
(H)		12
(I)		12



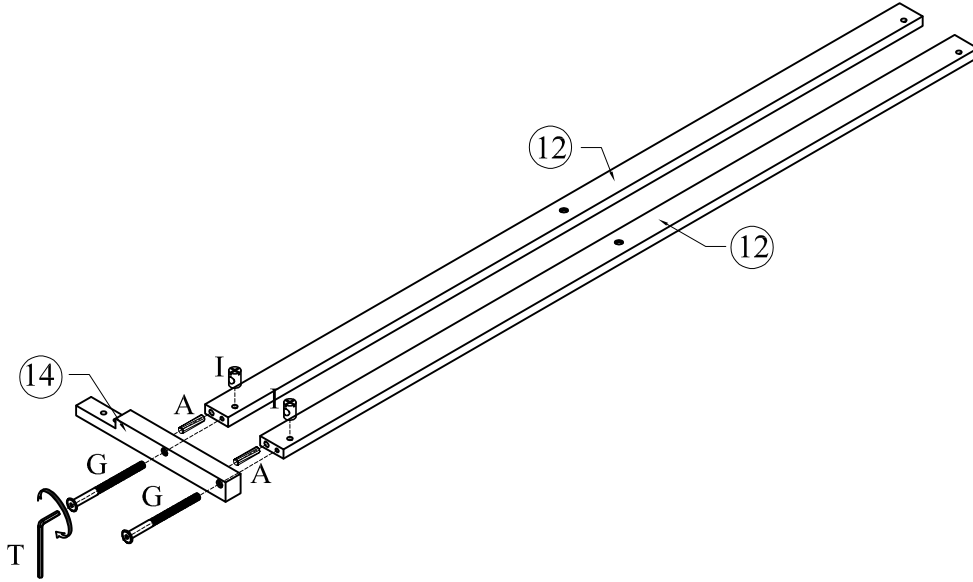


STEP 24

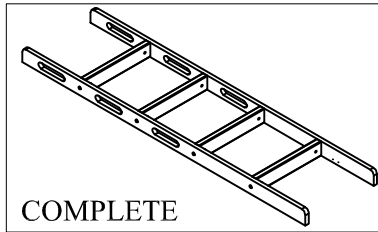
STEP 26



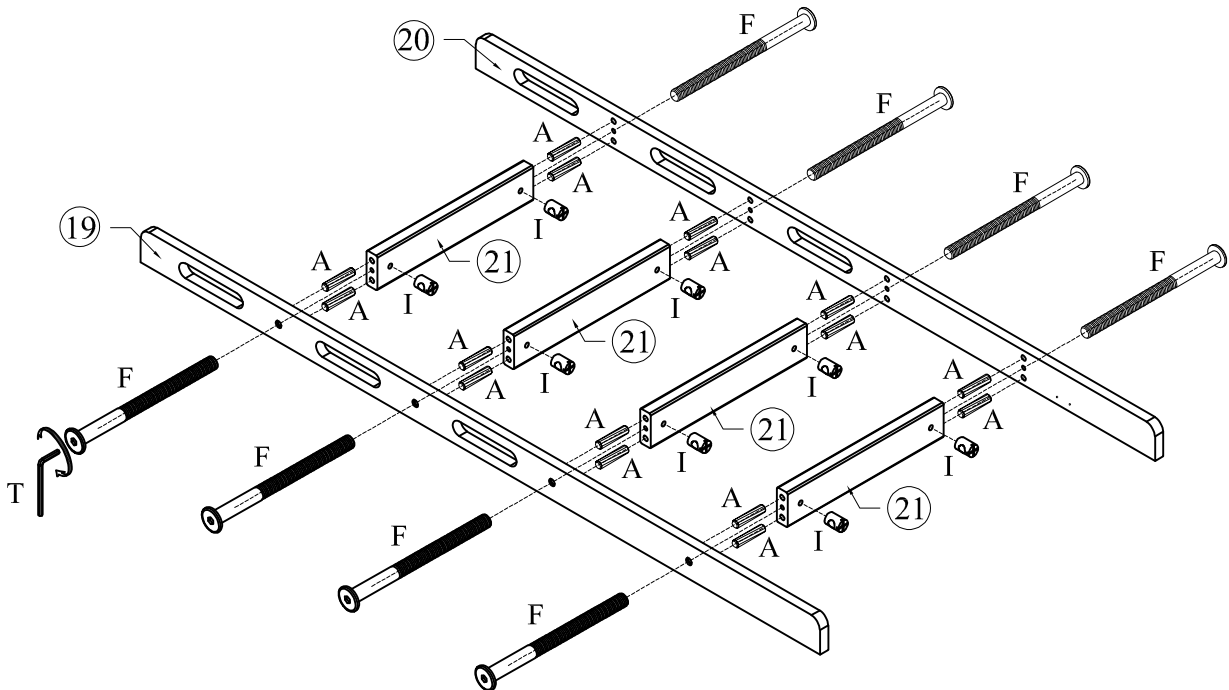
(A)		02
(G)		02
(I)		02




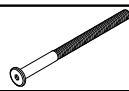

STEP 27

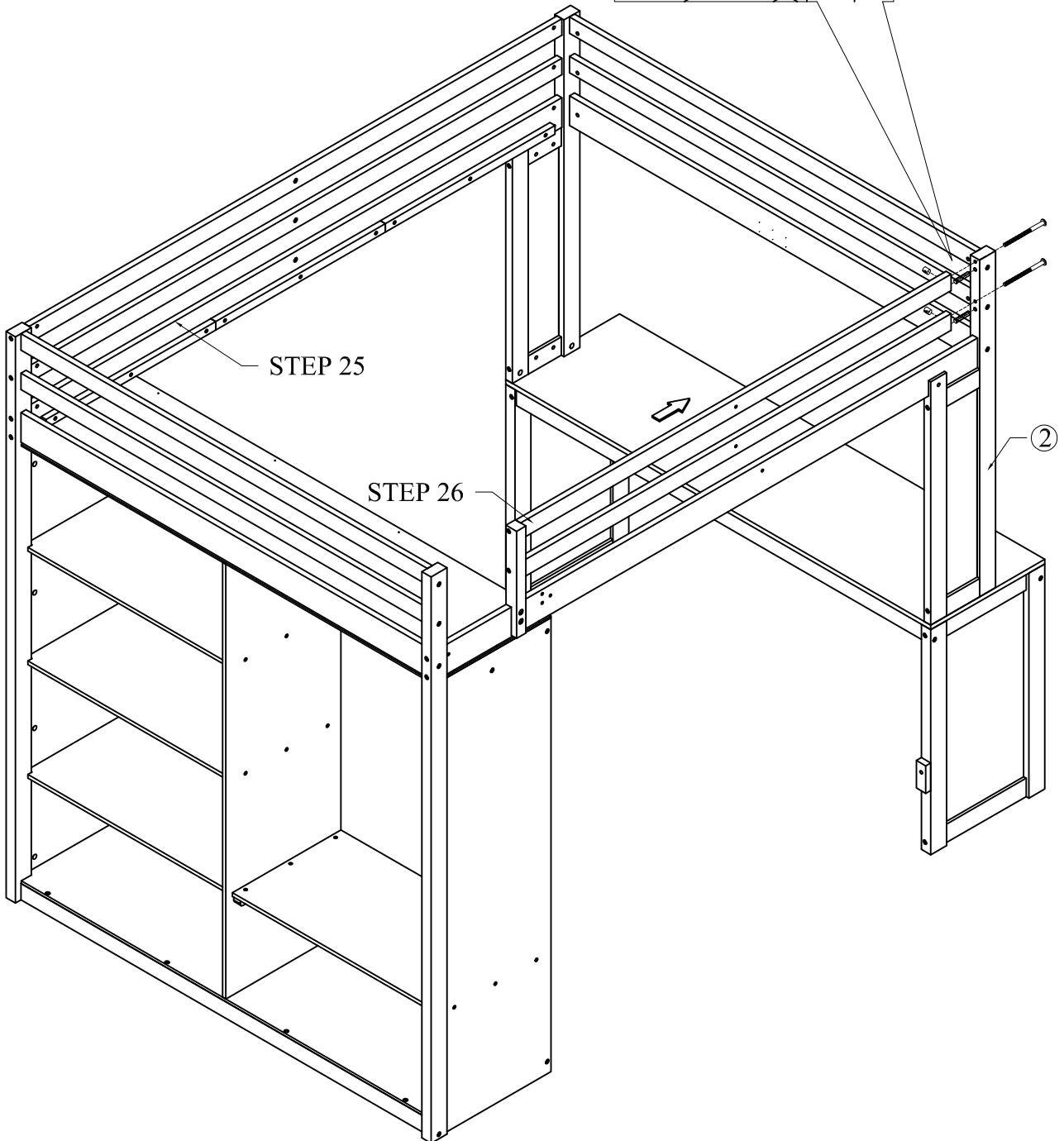
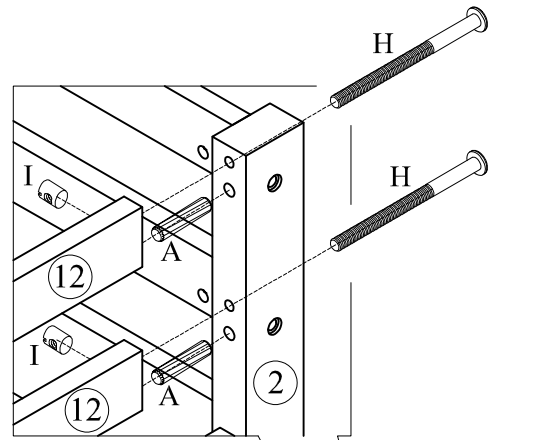
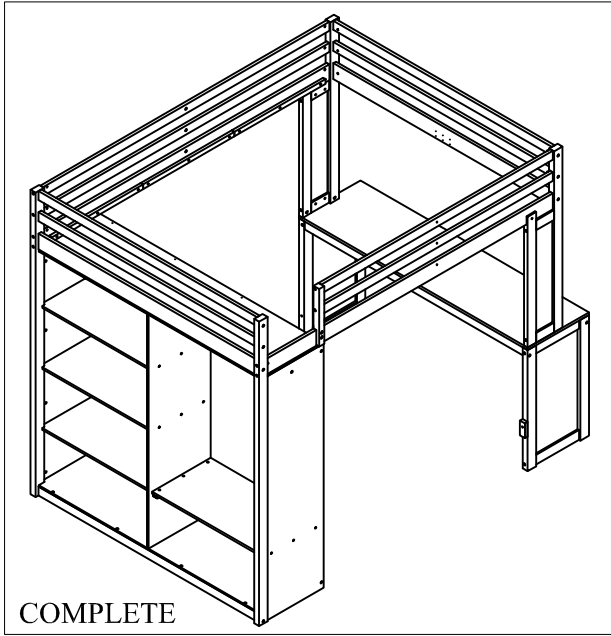


(A)		16
(F)		08
(I)		08

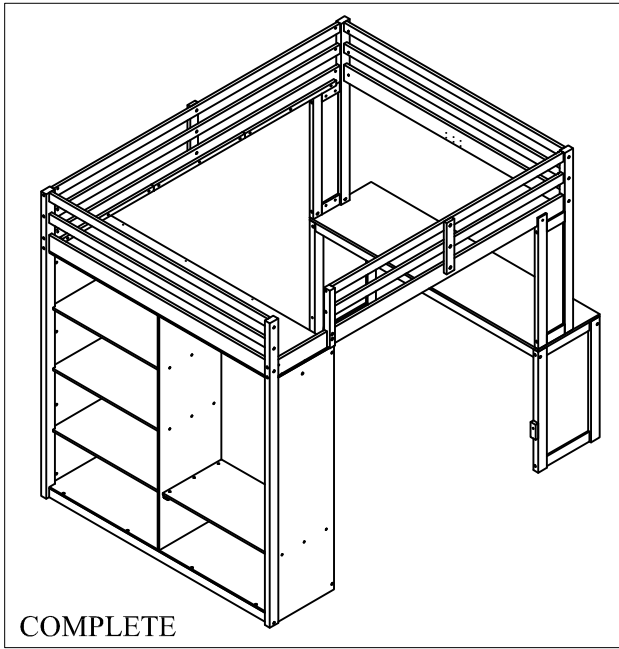


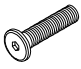

STEP 28

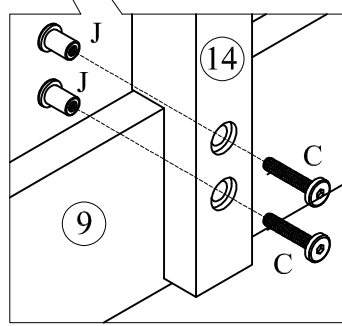
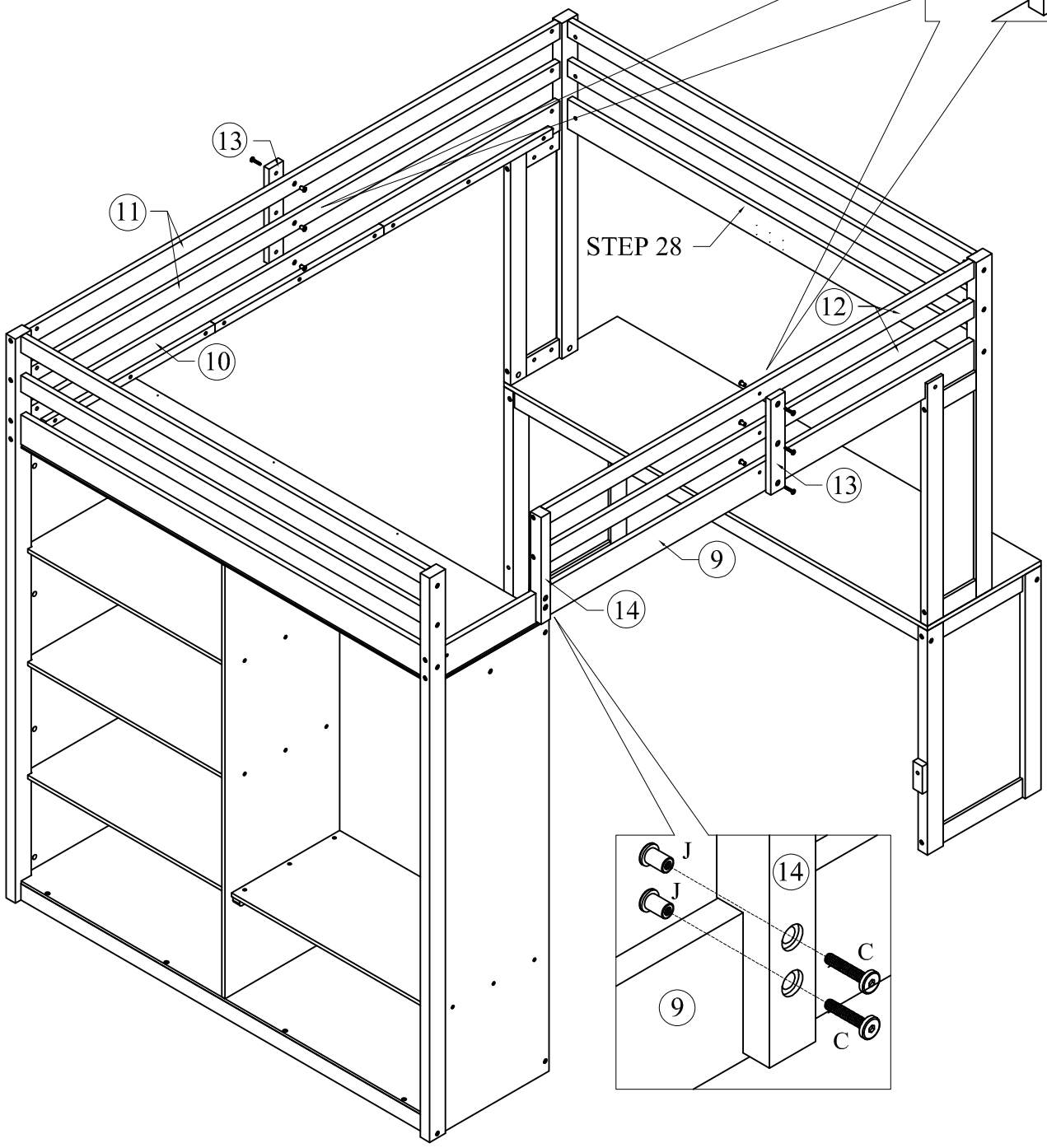
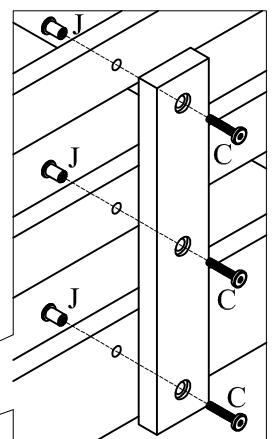
(A)		02
(H)		02
(I)		02



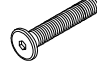
STEP 29



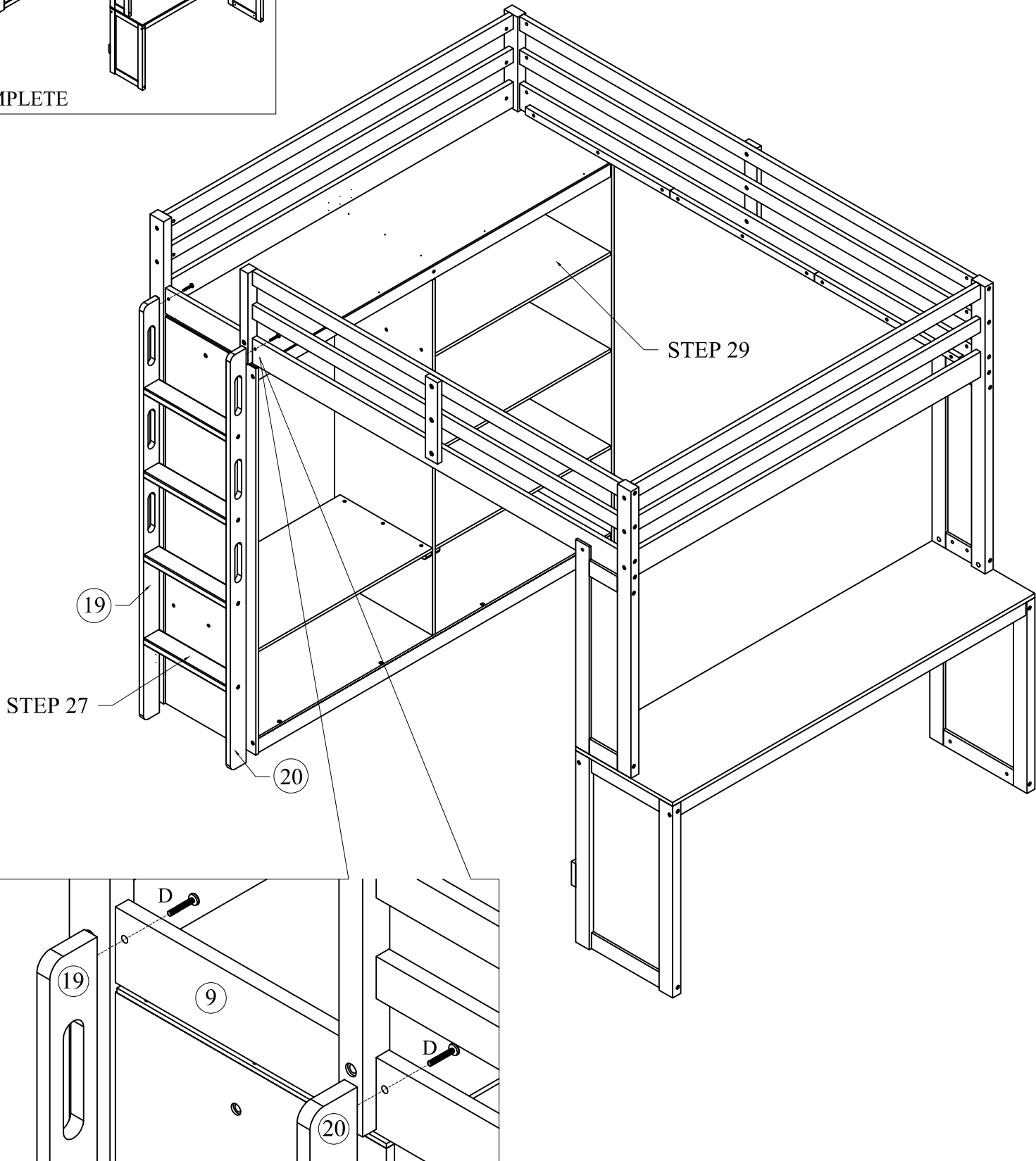
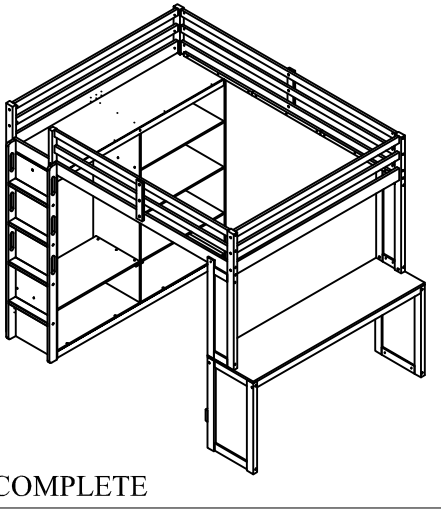
(C)		08
(J)		08





STEP 30

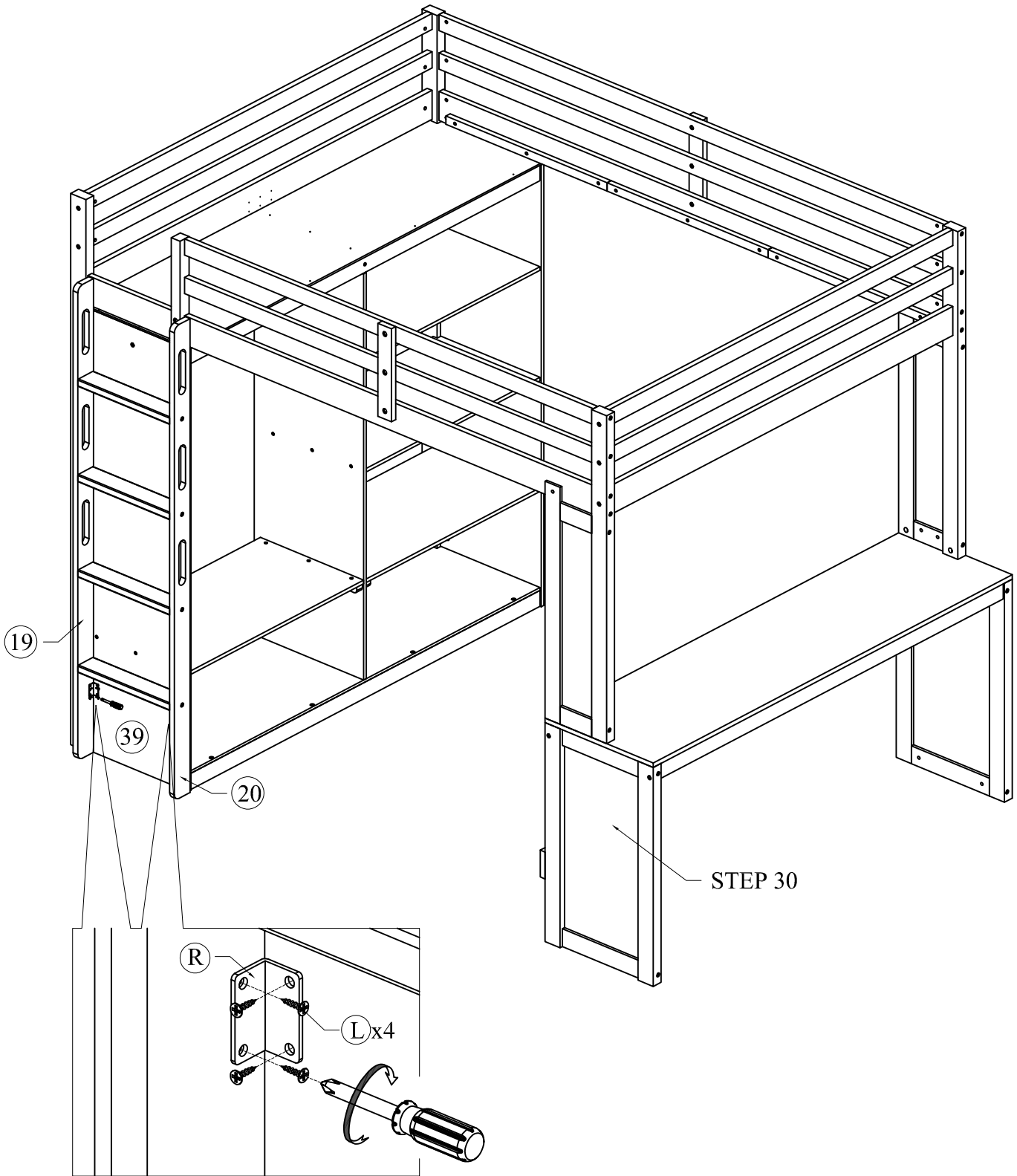
D		02
---	---	----

* Attach the staircase assembled in step 27 to the bed.



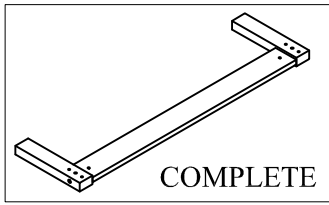
STEP 31

(R)		02
(L)		08

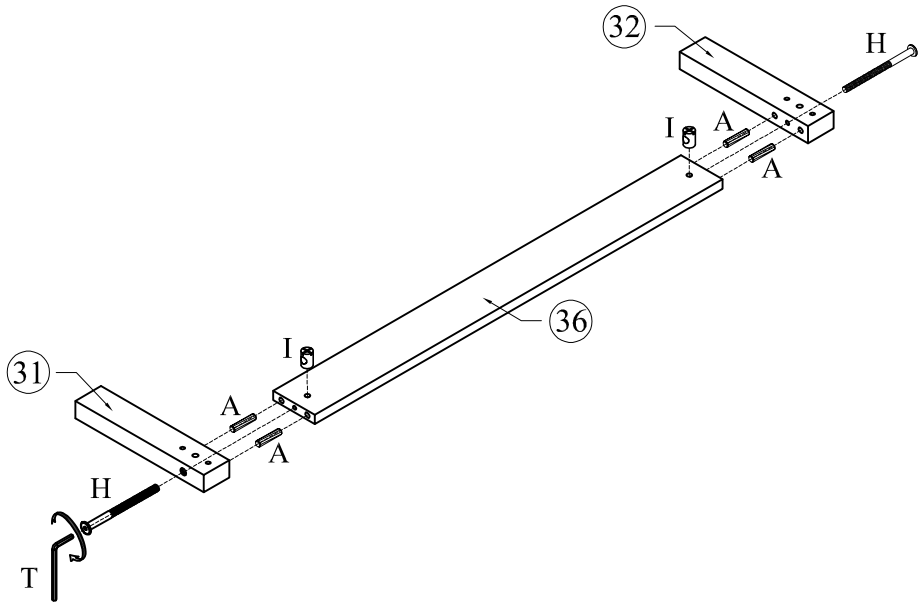


Install Patt L (R) into 2 positions with pre-drilled guide holes as shown.

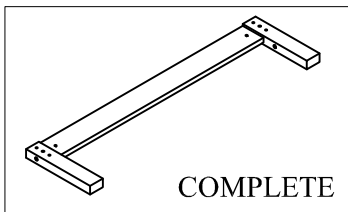
STEP 32



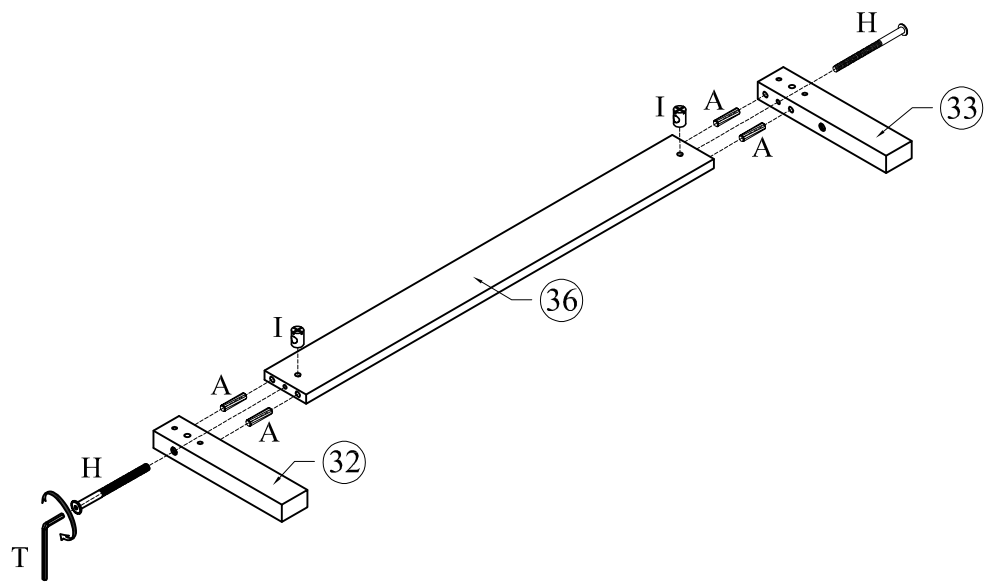
(A)		04
(H)		02
(I)		02



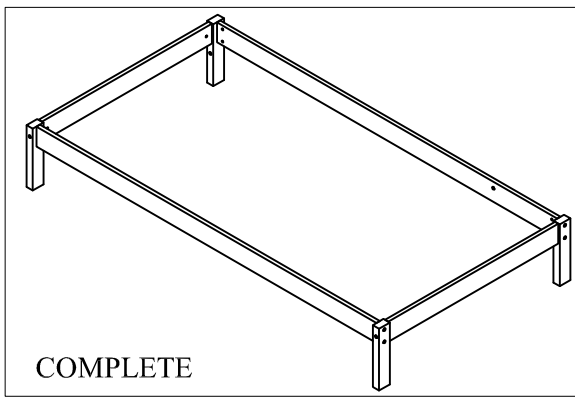
STEP 33



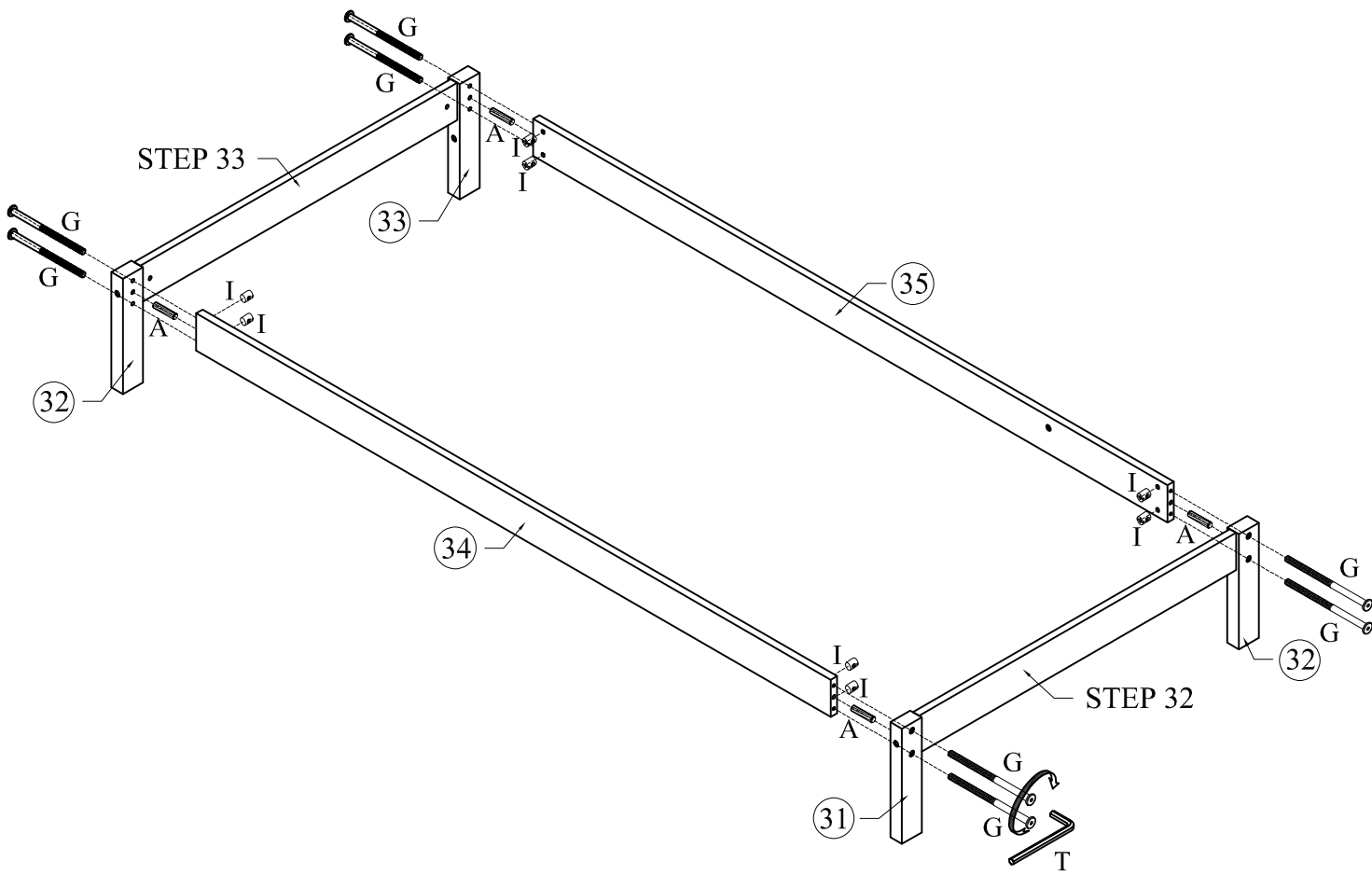
(A)		04
(H)		02
(I)		02



STEP 34



(A)		04
(G)		08
(I)		08

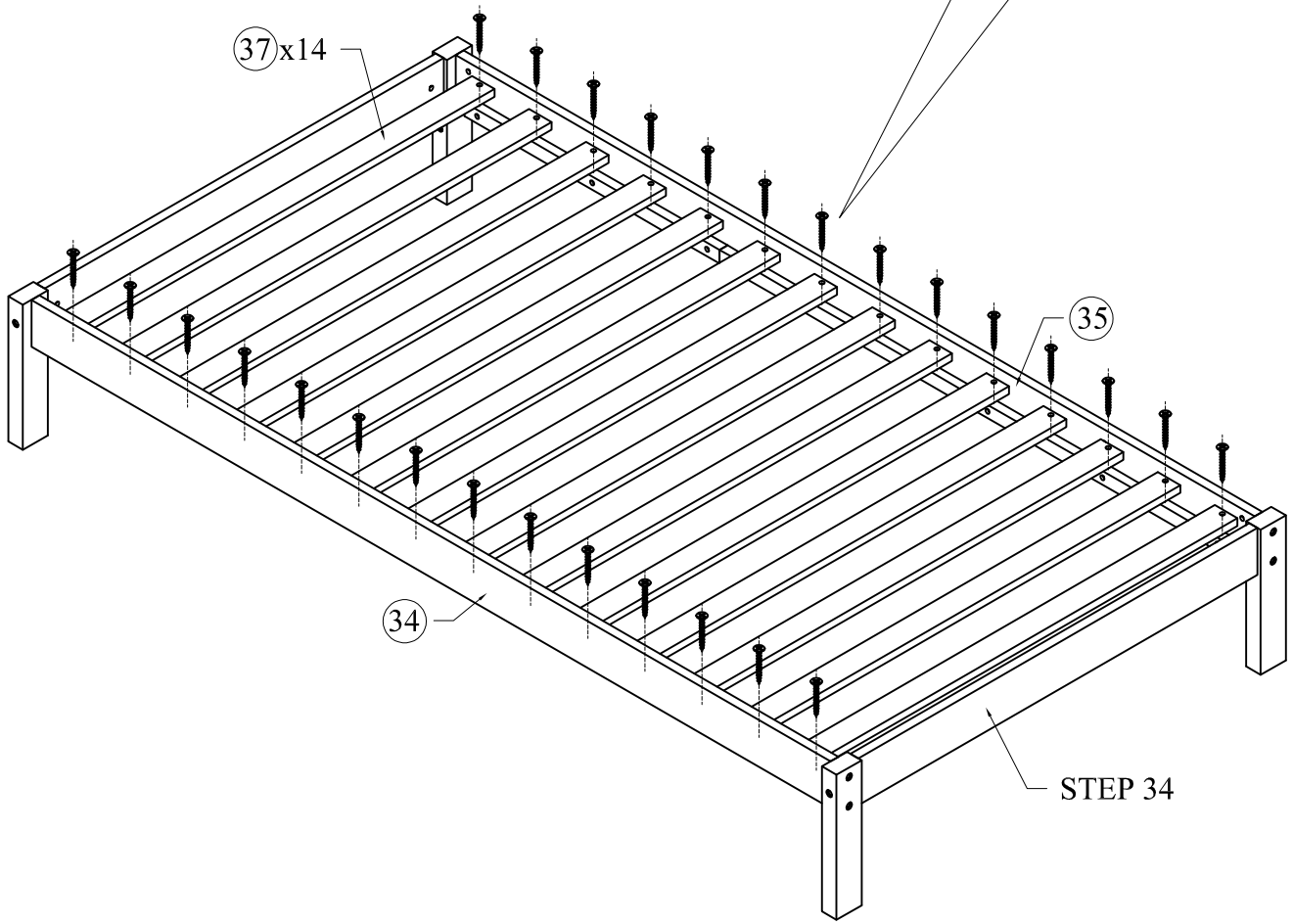
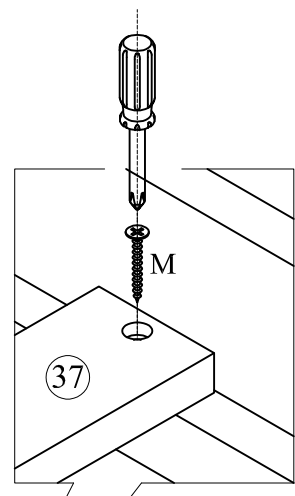
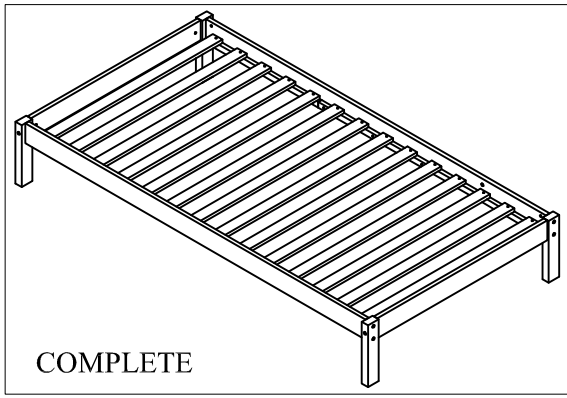


STEP 35

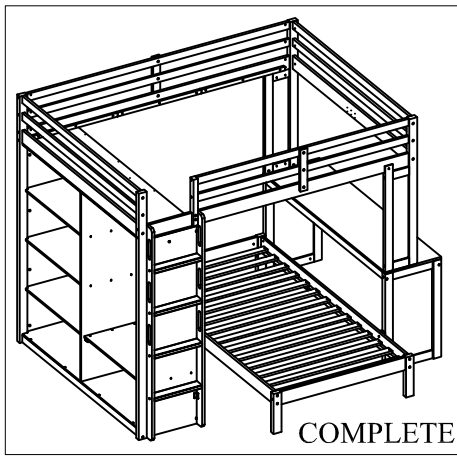
(M)





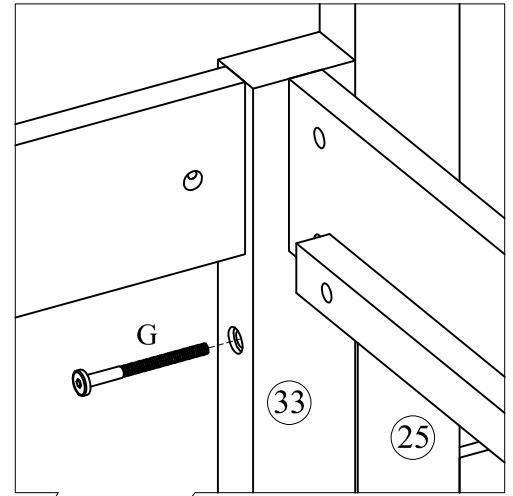
28



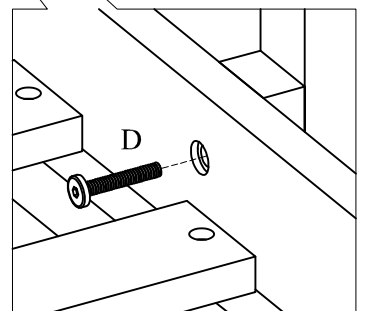
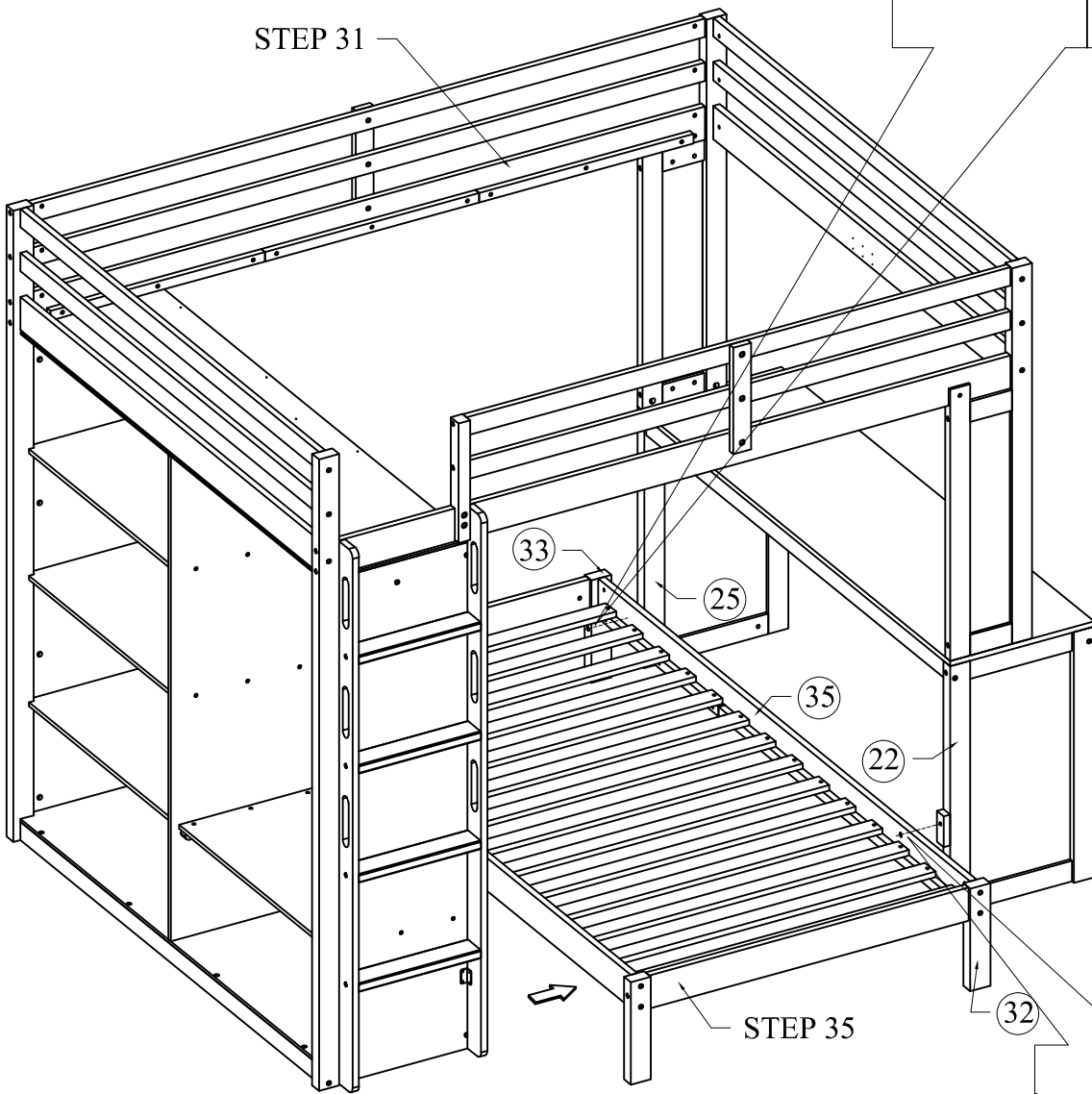
STEP 36



(D)		01
(G)		01



STEP 31

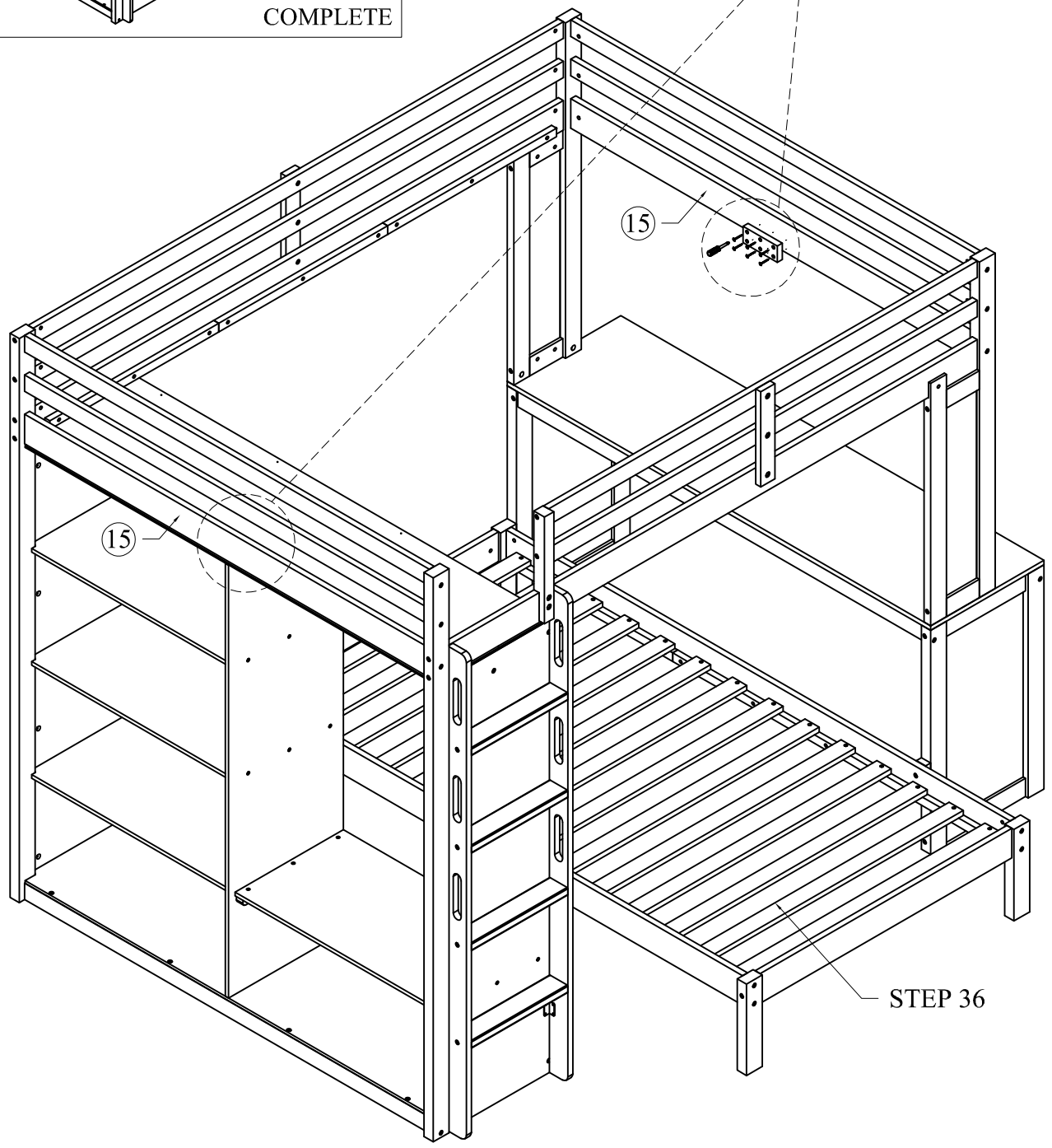
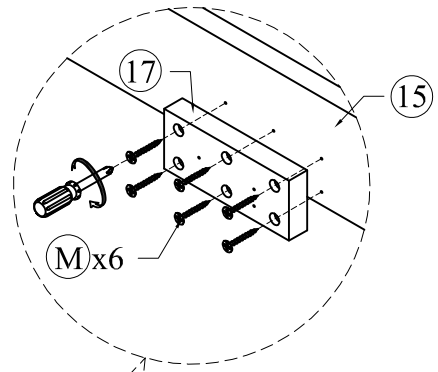
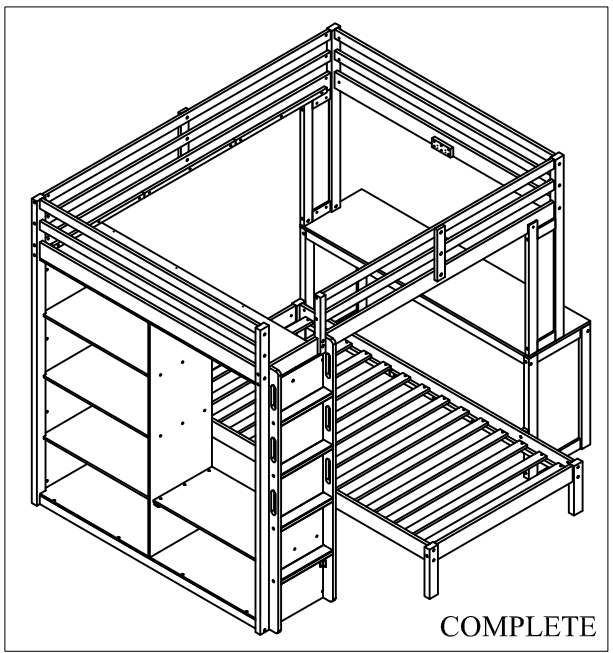


STEP 37


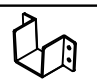
(M)

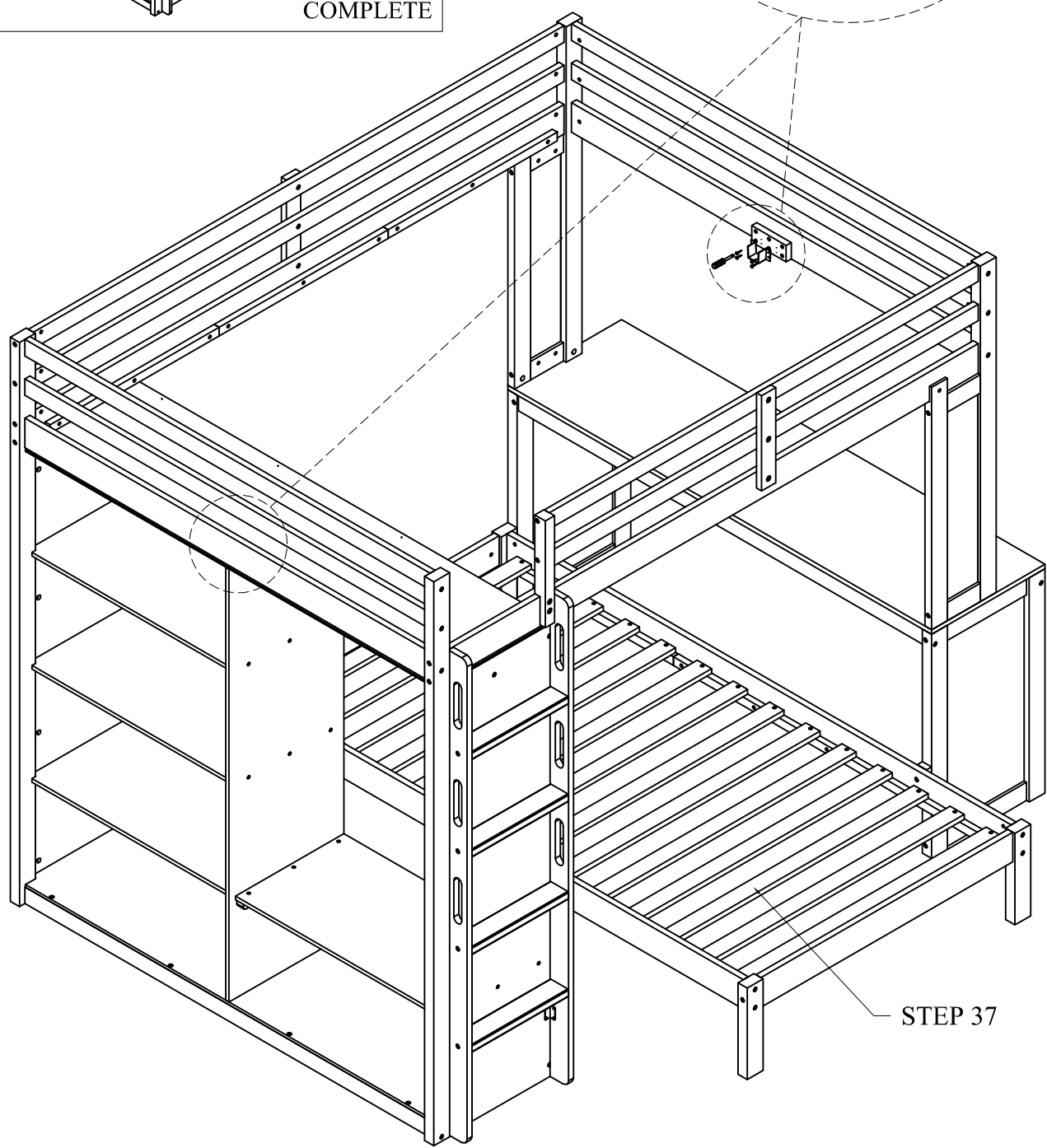
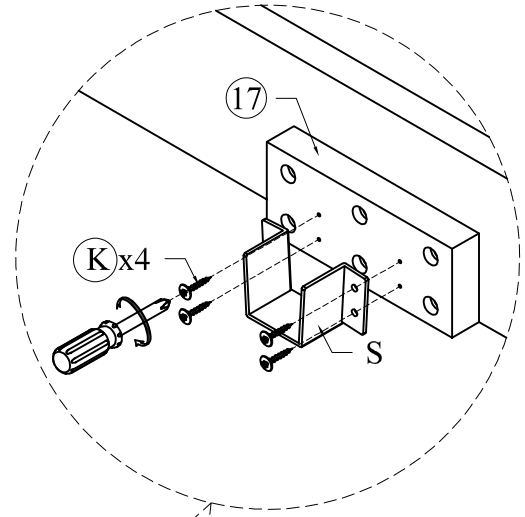
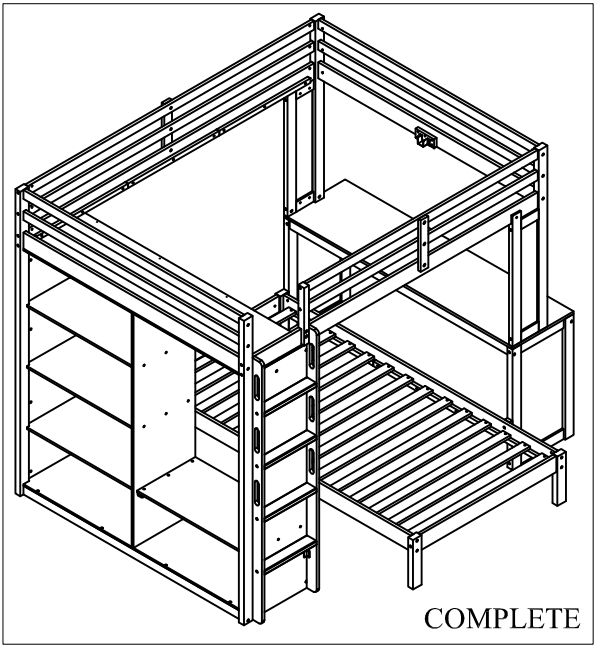


12

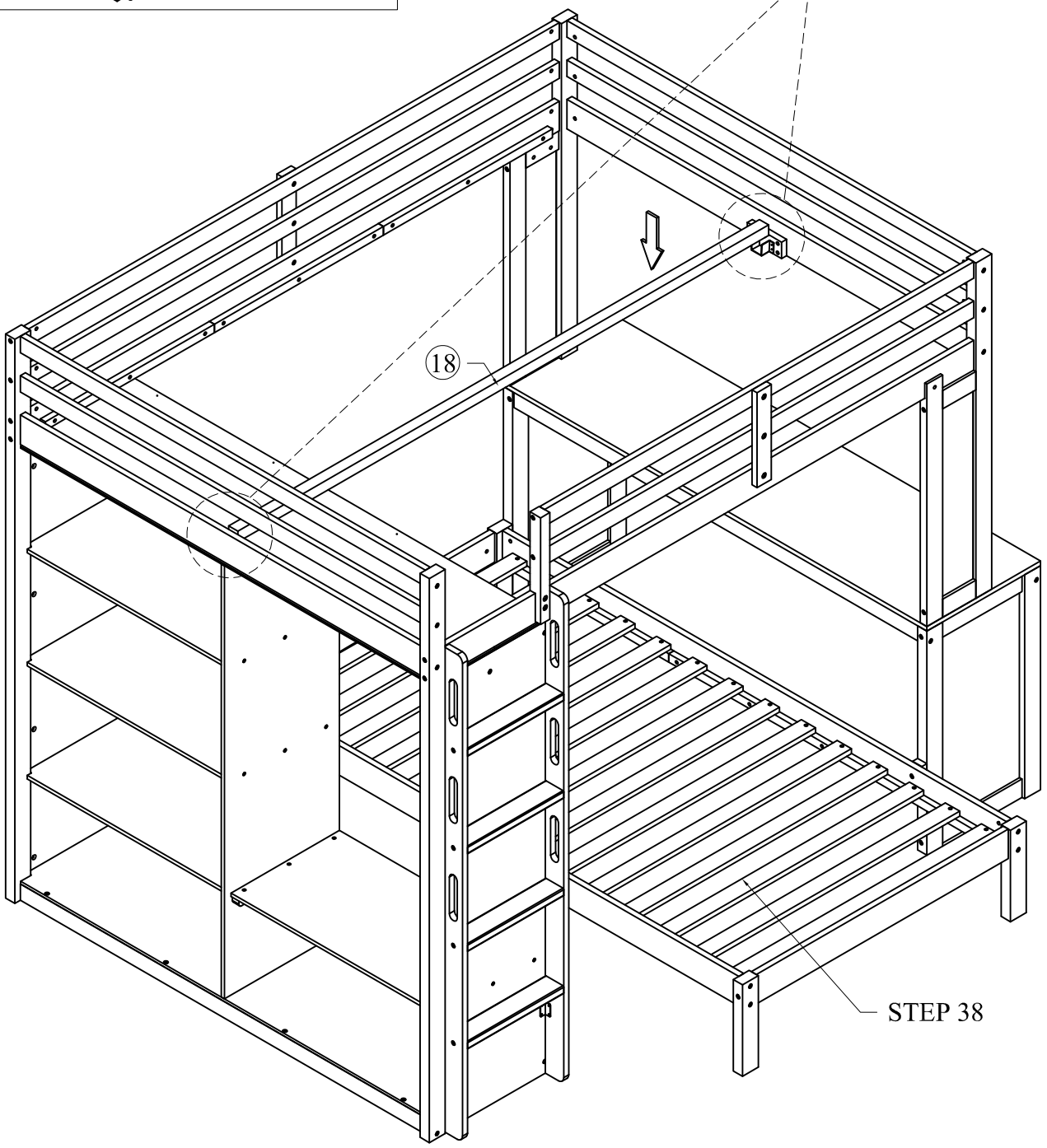
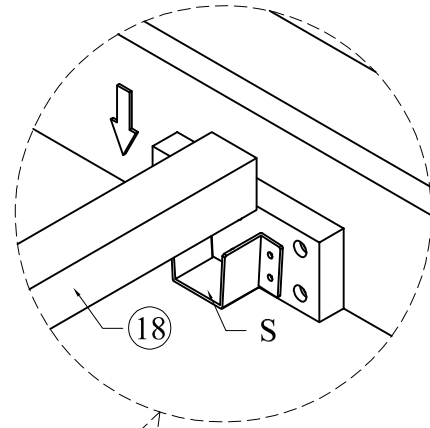
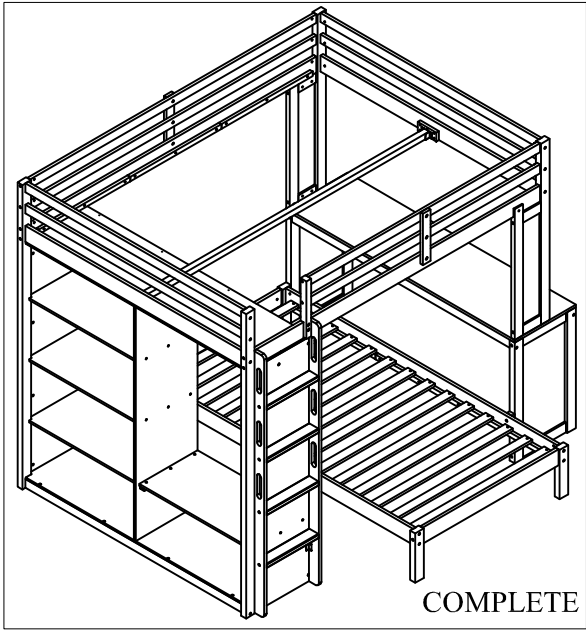


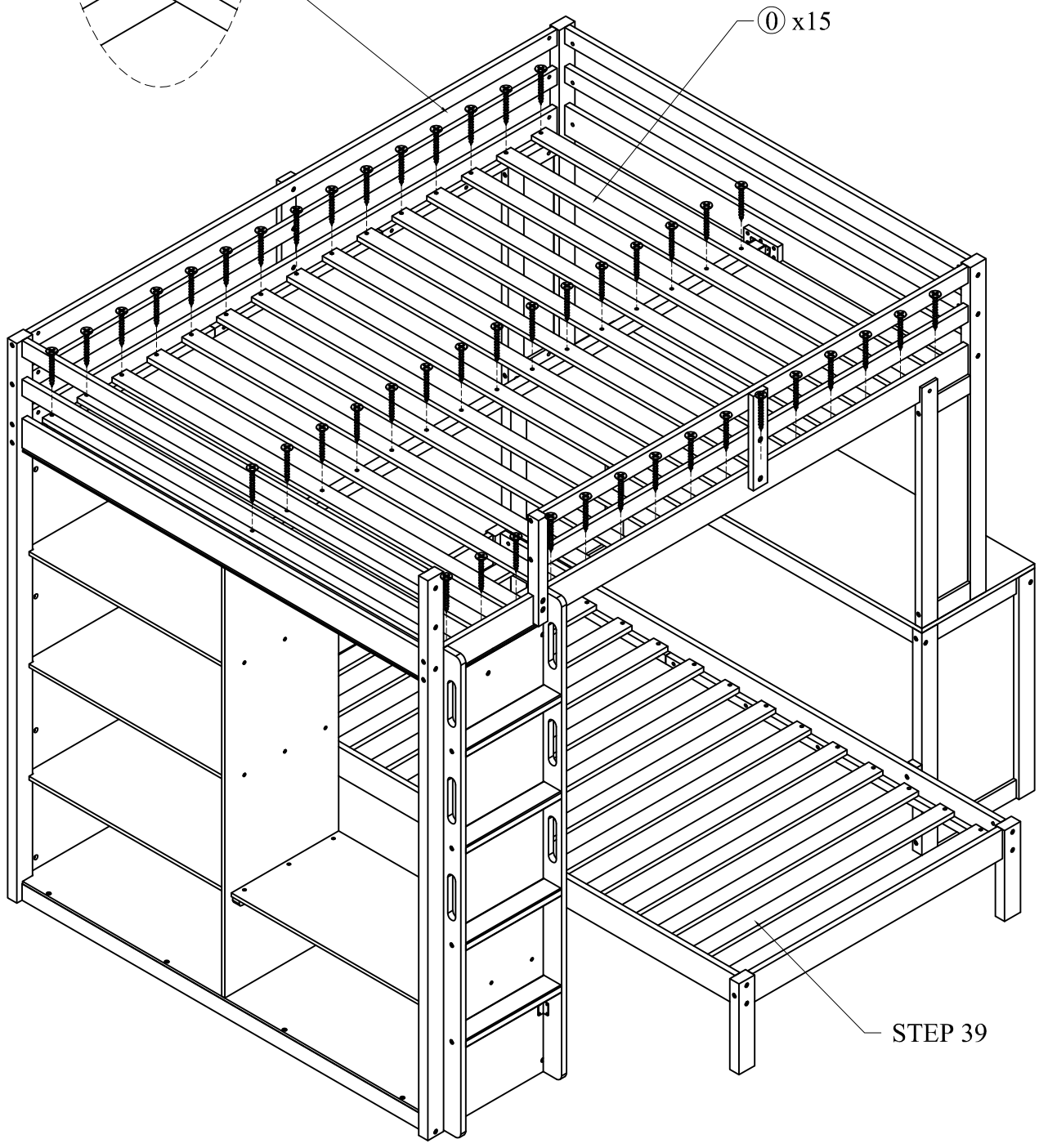
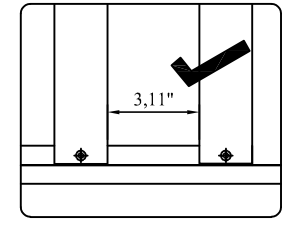
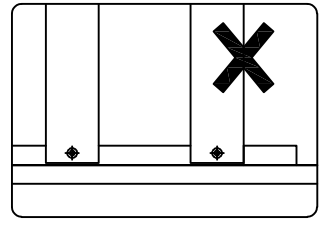
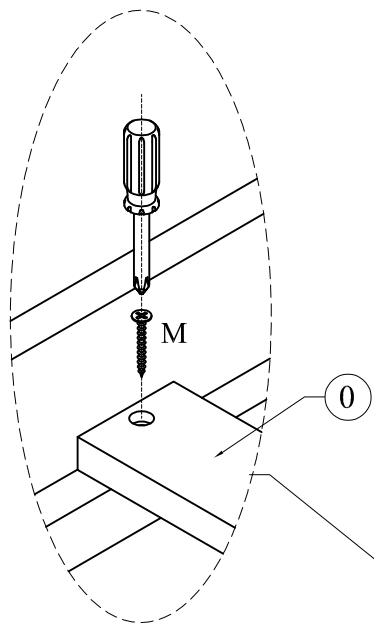
STEP 38

(K)		08
(S)		02



STEP 39





STEP 41

ATTACH THE PATT TO THE WALL TO SECURE THE BED.





-Step 1: Move and position the bed in the exact location where it will be fixed.

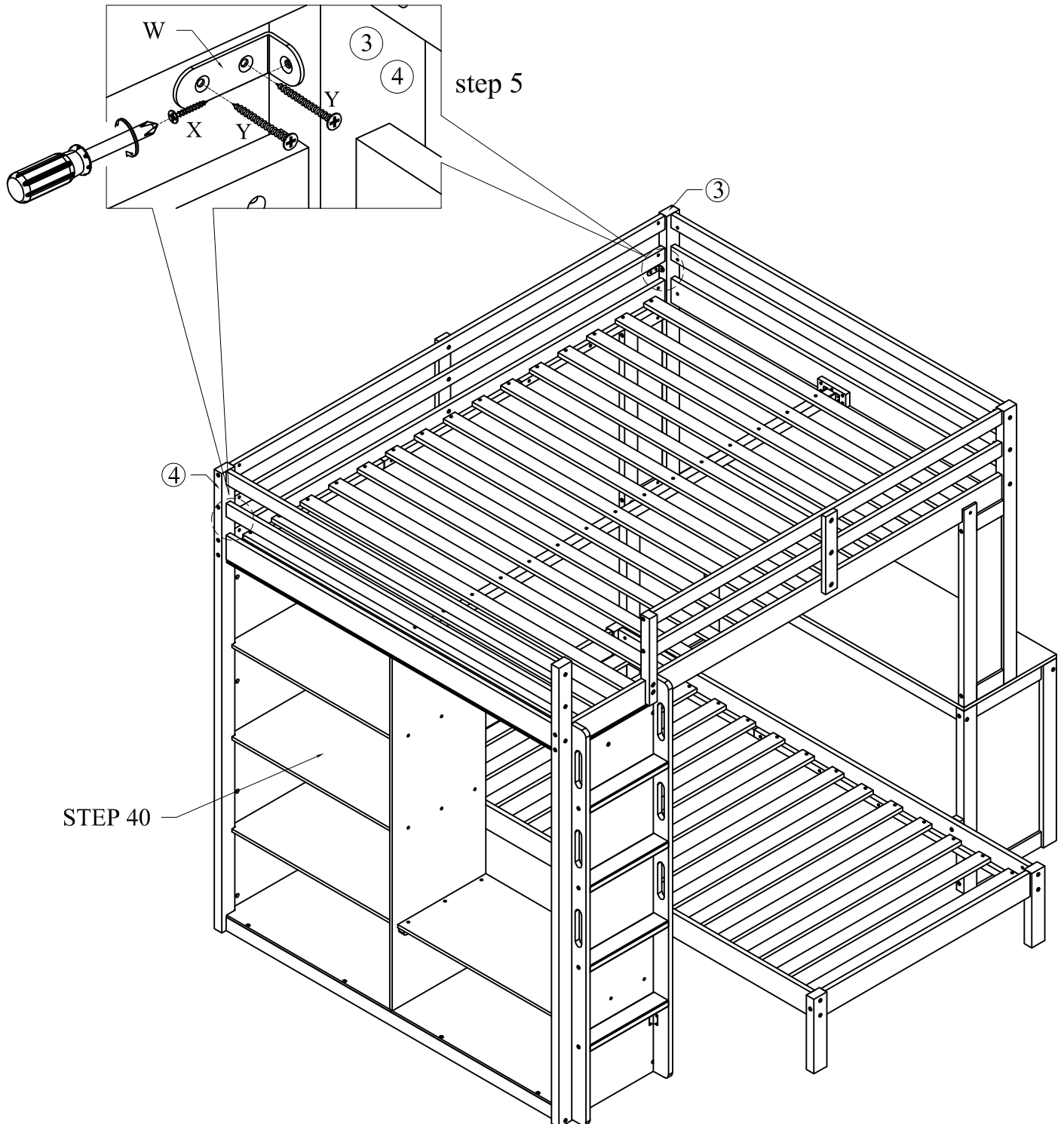
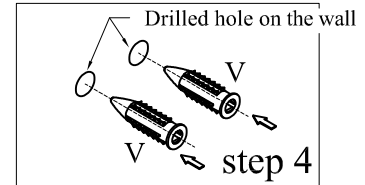
-Step 2: Place the L-shaped Patt precisely at the mounting points with pre-drilled holes on bed legs (Parts No. 3 and 4).

-Step 3: Mark 4 wall drilling points for the 2 Patt brackets. Move the bed if needed for better access. Drill 8mm holes into the wall to a depth of 50mm.

-Step 4: Install the plastic stoppers (V) into all 4 pre-drilled wall holes.

-Step 5: Move the bed back into place and fix it to the wall using the Patt brackets as shown.

(V)		04
(W)		02
(X)		02
(Y)		04



COMPLETE

