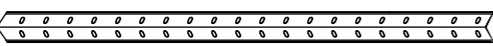

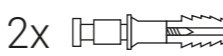
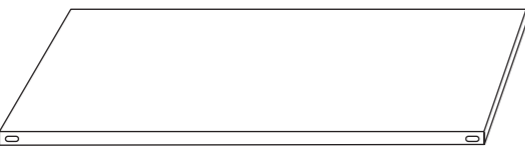
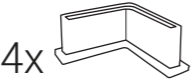






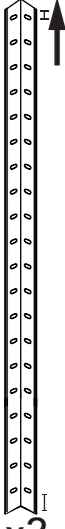
8x  1x  2x 

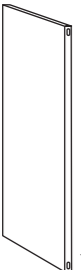
5x  4x  48x  24x 


Whenever possible, assemble the product on top of a surface with a height greater than 30 in. and a length greater than 50 in.


 

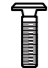
01

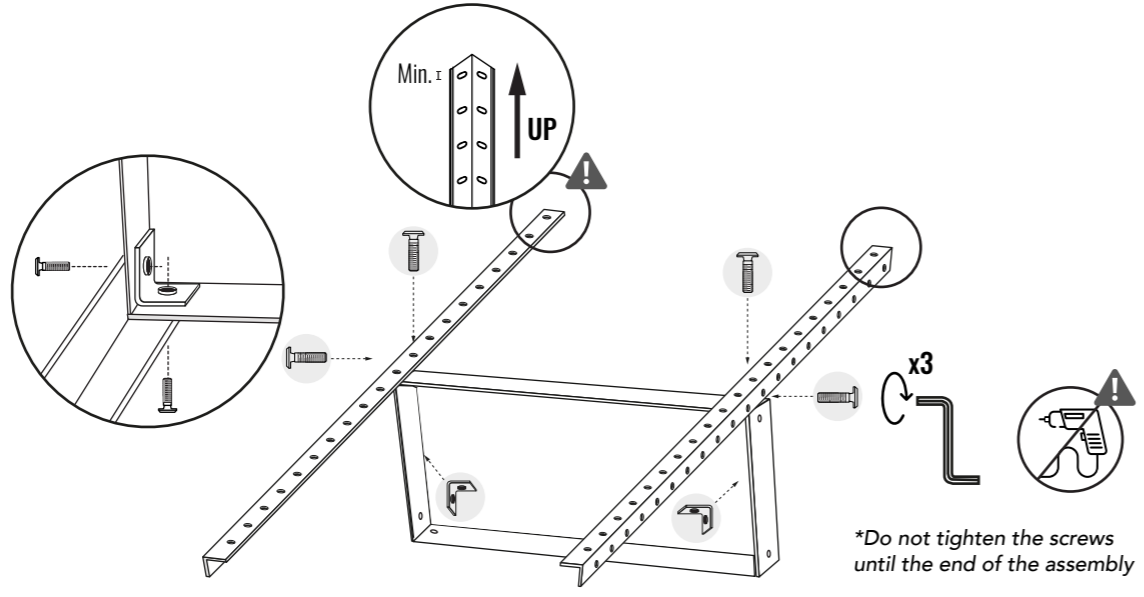
 x2

 x1

 x1

 x2

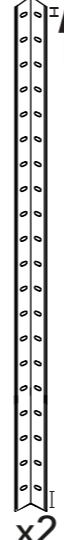
 x4





Min. ↑ UP

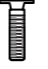
\*Do not tighten the screws until the end of the assembly

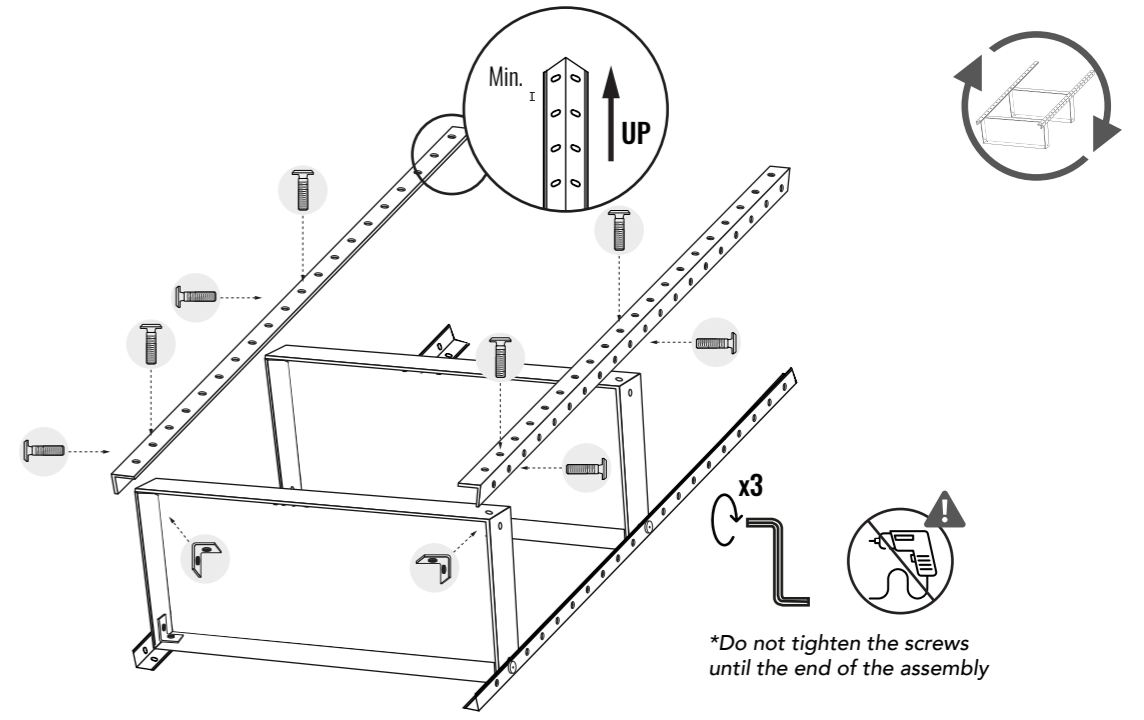
03

 x2

 x1

 x4

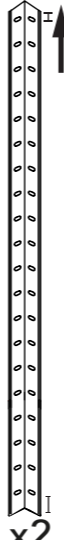
 x8





Min. ↑ UP


\*Do not tighten the screws until the end of the assembly

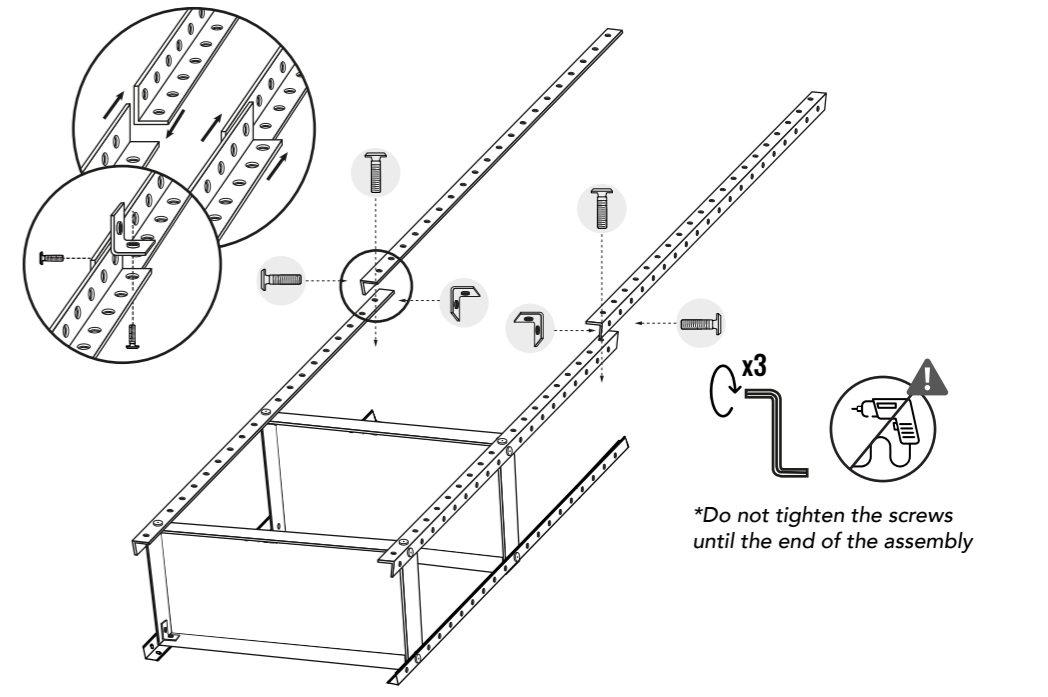
04

 x2

 x1

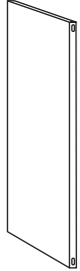
 x2


 x4





\*Do not tighten the screws until the end of the assembly

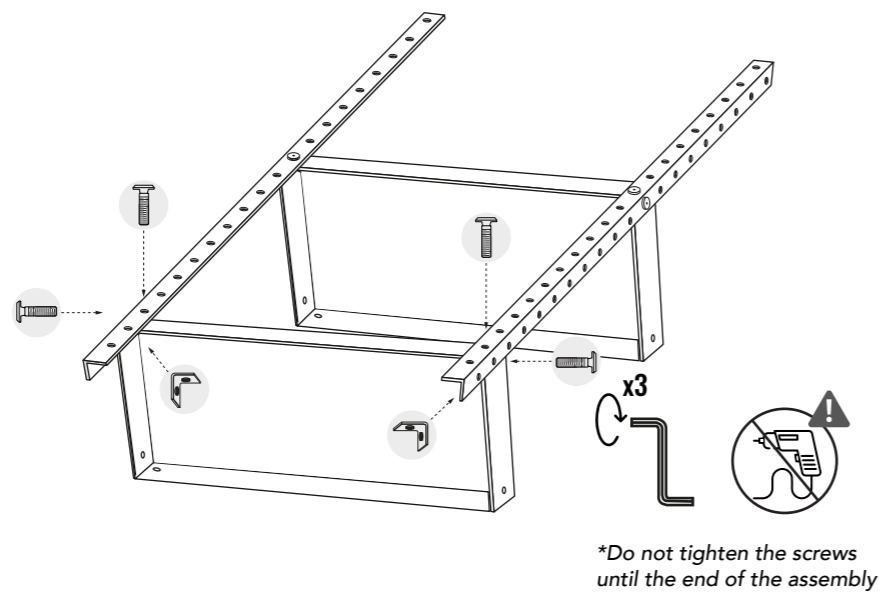
02

 x1

 x1


 x2


 x4





\*Do not tighten the screws until the end of the assembly

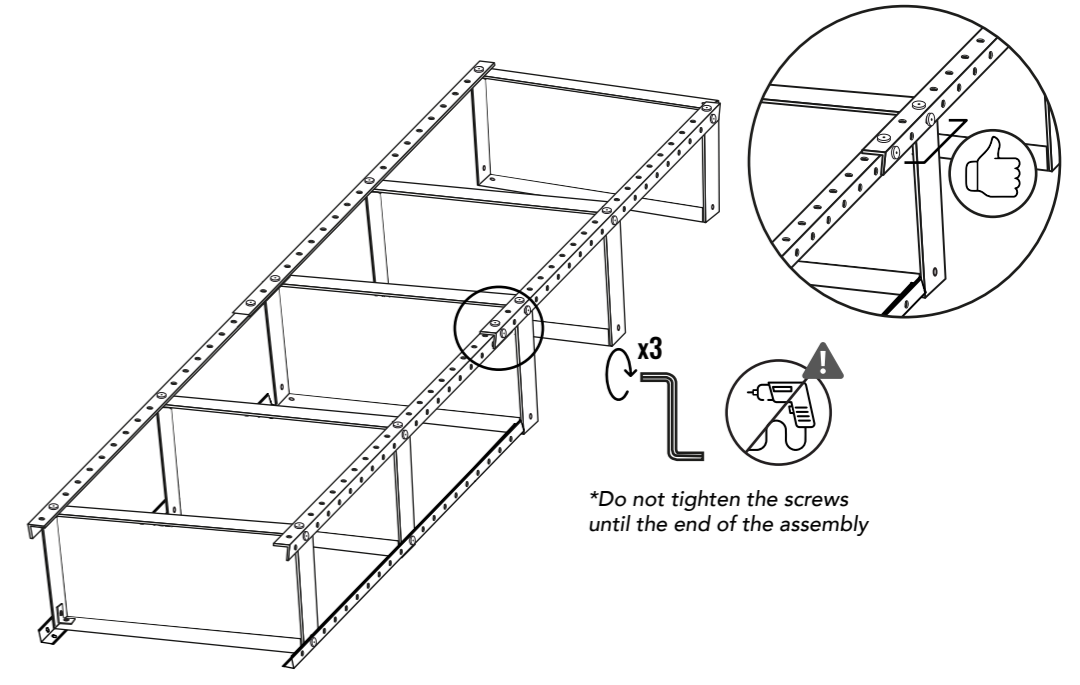
05

 x3

 x1

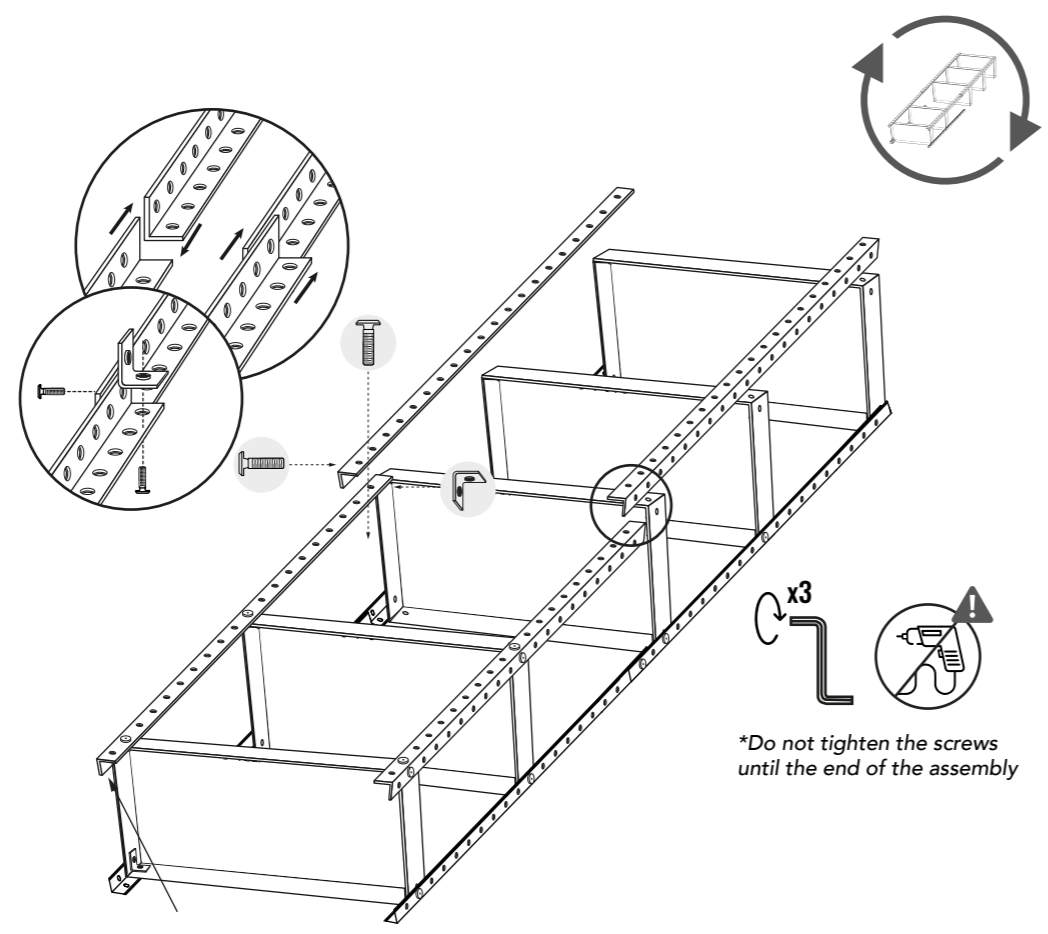
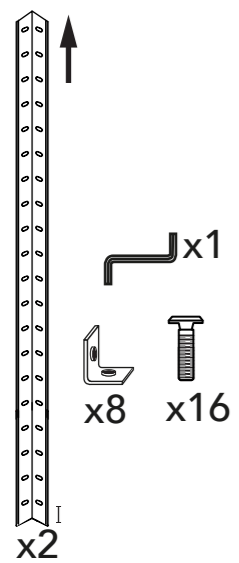
 x6

 x12



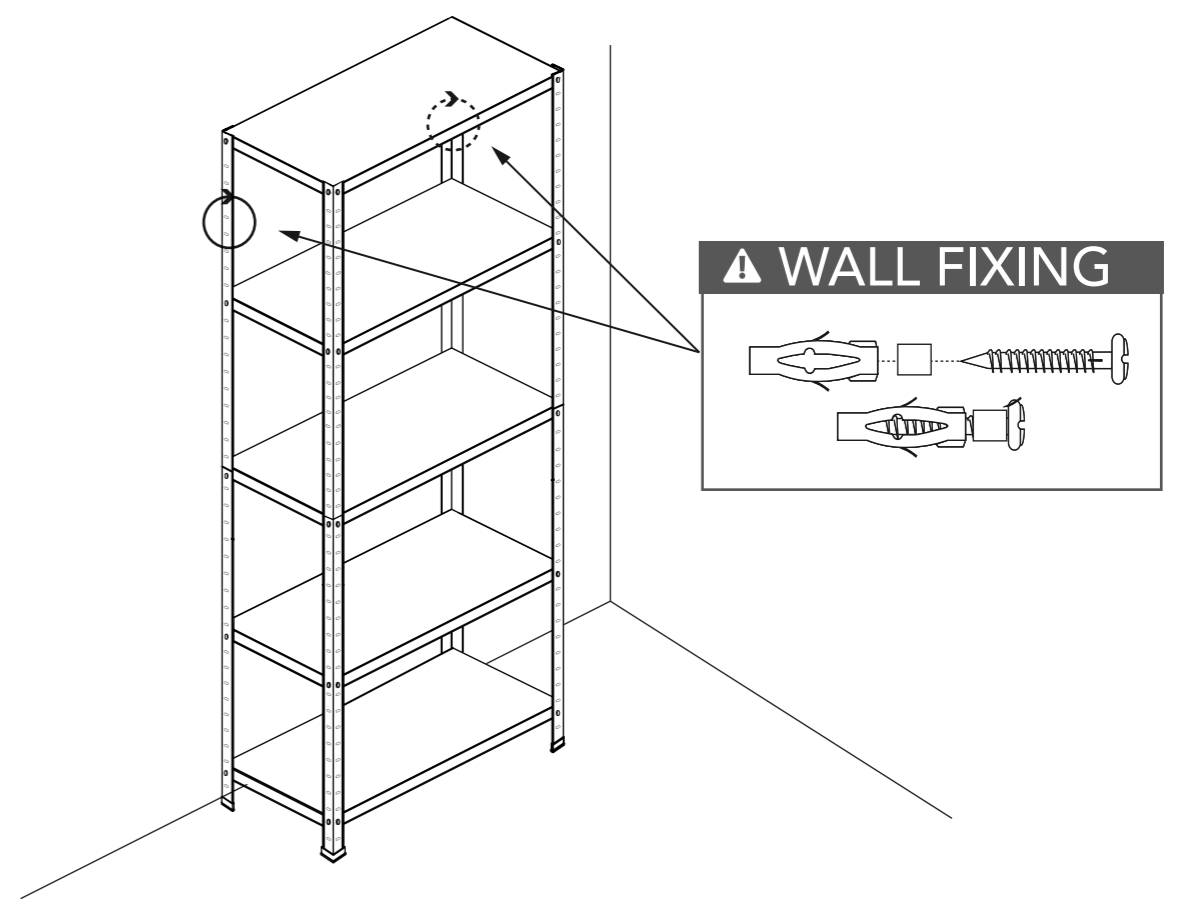
\*Do not tighten the screws until the end of the assembly

06



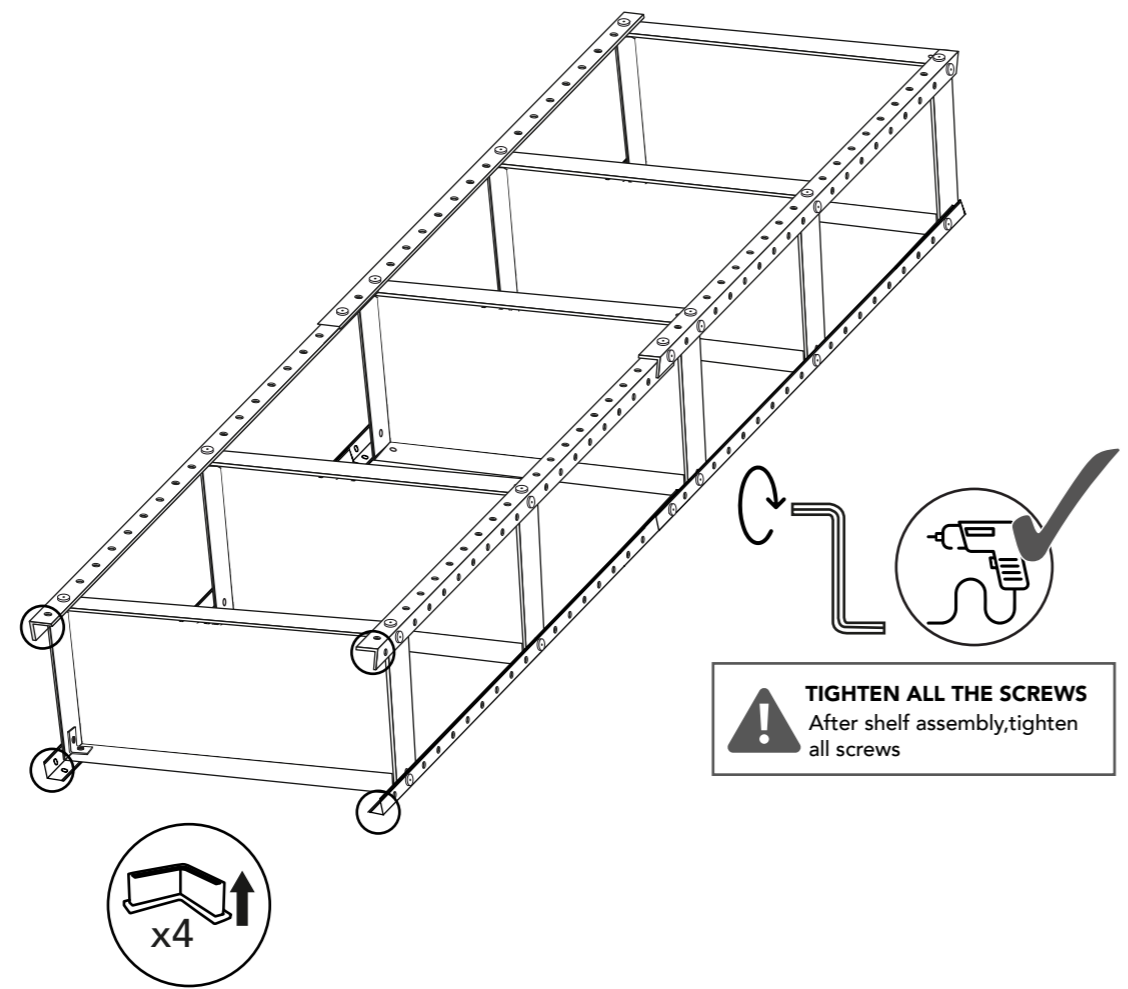
x3  
 \*Do not tighten the screws until the end of the assembly

08



**WALL FIXING**

07



**TIGHTEN ALL THE SCREWS**  
 After shelf assembly, tighten all screws

