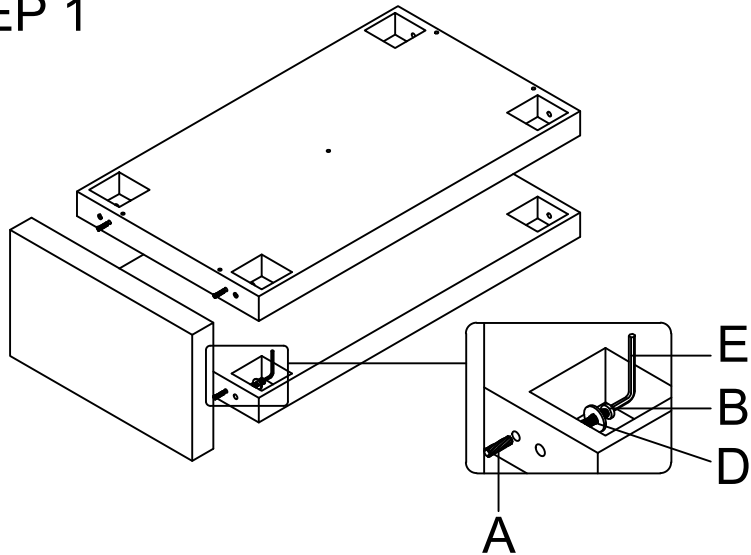
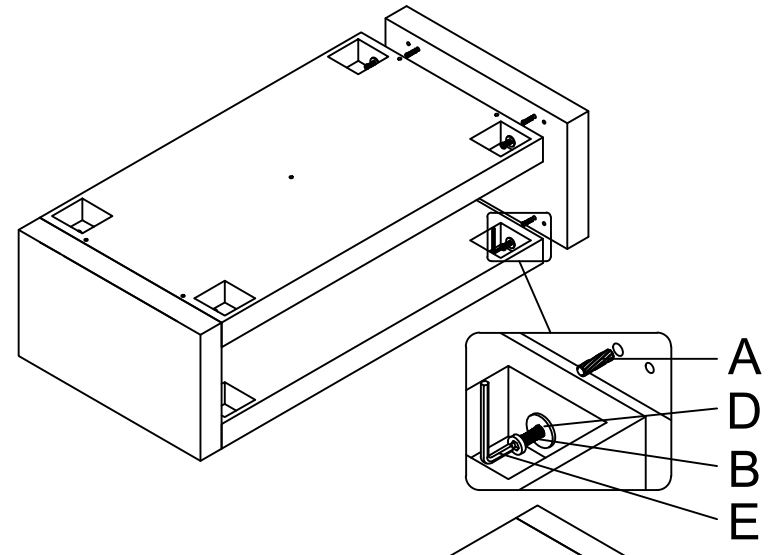


ASSEMBLY INSTRUCTION

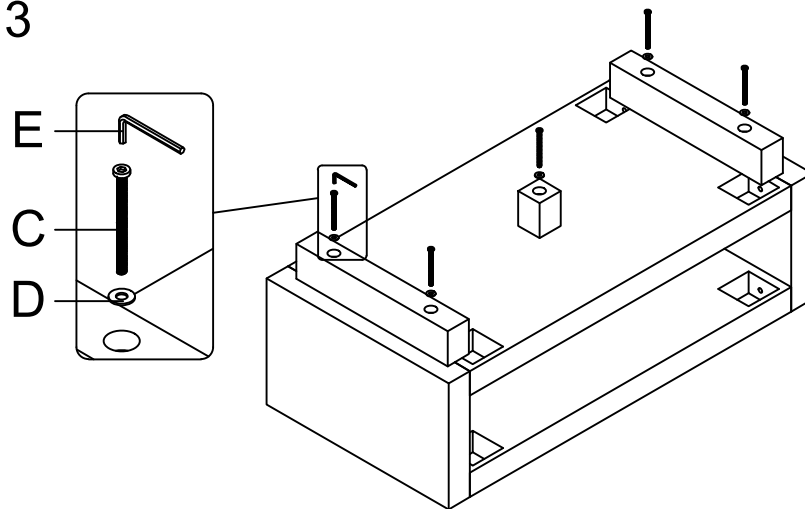
STEP 1



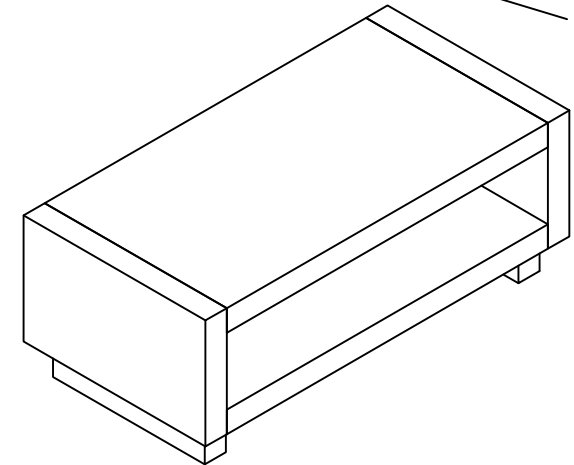
STEP 2



STEP 3

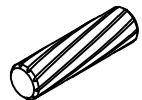


STEP 4



Please strictly follow the instructions manual for assembly. Using the wrong screws may result in damage to the product.

A



$\phi 10*30$ 8pcs

B



M8*45 8pcs

C



M8*110 5pcs

D



$\phi 22$ 13pcs

E



M5 1pc