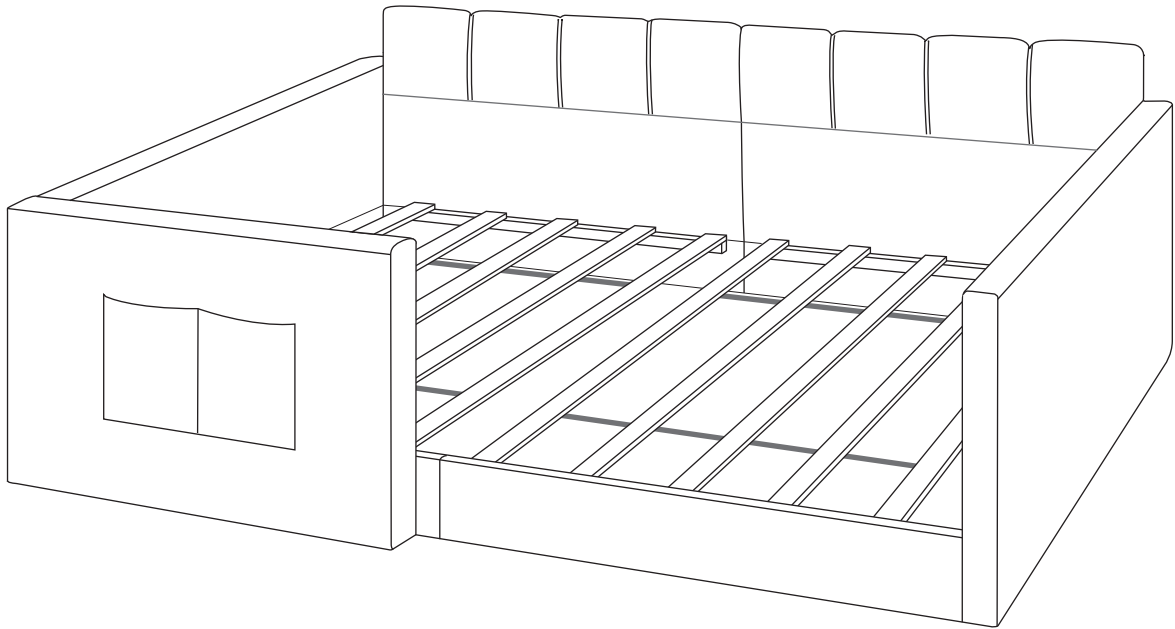


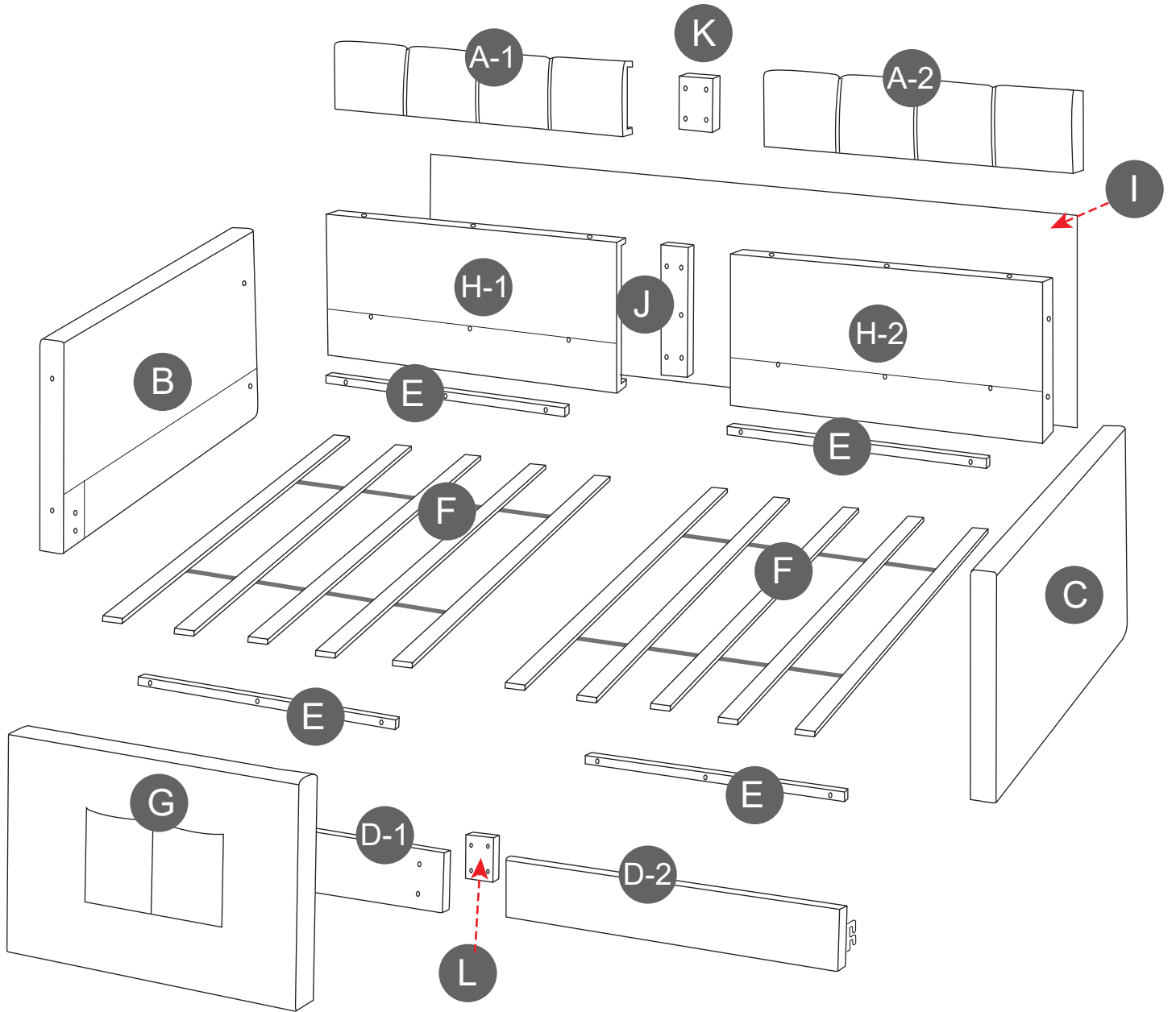
# ASSEMBLY INSTRUCTION

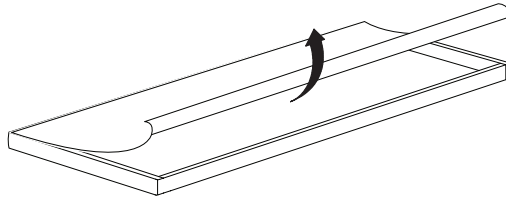
GD-LE01 (TWIN)

N708P430684 / N708P430685

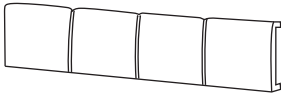
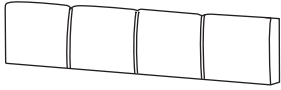
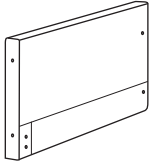
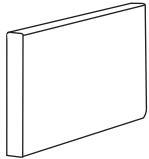
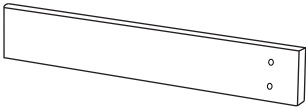
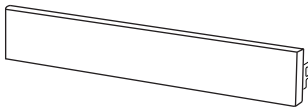
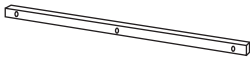
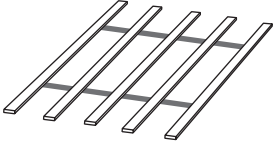


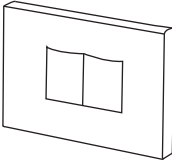
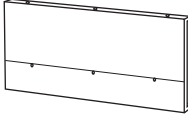
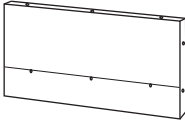
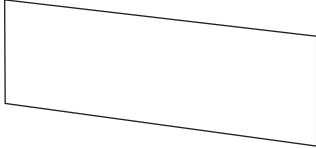
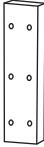


Detail View -





Bed parts are packed inside the compartment  
at the back of the Headboard  
(Parts: A-1, A-2, D-1, D-2, E, F,)

NO.	PART LIST (BOX 1 OF 2) N708P430684		QTY
A-1	Side Rail (Upper)		1 pc
A-2	Side Rail (Upper)		1 pc
B	Headboard		1 pc
C	Footboard		1 pc
D-1	Side Rail		1 pc
D-2	Side Rail		1 pc
E	Side Rail Support		4 pcs
F	Bed Slat (1 set = 10pcs)		1 set

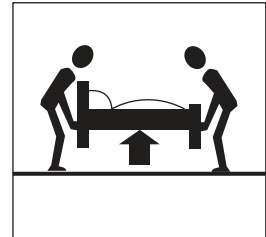
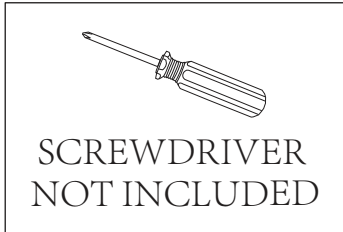
NO.	PART LIST (BOX 2 OF 2) <span style="float: right;">N708P430685</span>	QTY
G	Side Rail (Front Panel) 	1 pc
H-1	Side Rail (Lower) 	1 pc
H-2	Side Rail (Lower) 	1 pc
I	Fabric Cover (behind Side Rail) 	1 pc
J	Side Rail Support Panel (Lower) 	1 pc
K	Side Rail Support Panel (Upper) 	1 pc
L	Side Rail Support Panel 	1 pc

NO	<b>HARDWARE LIST (BOX 2 OF 2)</b> <span style="float: right;">N708P430685</span>	QTY
1	JCBB M8 x 25mm <div style="text-align: center; margin-top: 10px;">  </div>	4 pcs
2	JCBC M6 x 30mm <div style="text-align: center; margin-top: 10px;">  </div>	20 pcs
3	JCBC M6 x 35mm <div style="text-align: center; margin-top: 10px;">  </div>	12 pcs
4	JCBC M6 x 40mm <div style="text-align: center; margin-top: 10px;">  </div>	8 pcs
5	Flat Washer M6 <div style="text-align: center; margin-top: 10px;">  </div>	28 pcs
6	CSK M4 x 30mm <div style="text-align: center; margin-top: 10px;">  </div>	20 pcs
7	Allen Key M4 <div style="text-align: center; margin-top: 10px;">  </div>	1 pc
8	Allen Key M5 <div style="text-align: center; margin-top: 10px;">  </div>	1 pc

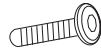

Read this instruction carefully. Remove all wrapping material, staples and straps from the carton. See hardware and furniture part list for guidance. Be sure you have all wooden furniture parts on a clean and flat surface, such as carpet or rug, to prevent from being scratched.

CAUTION :

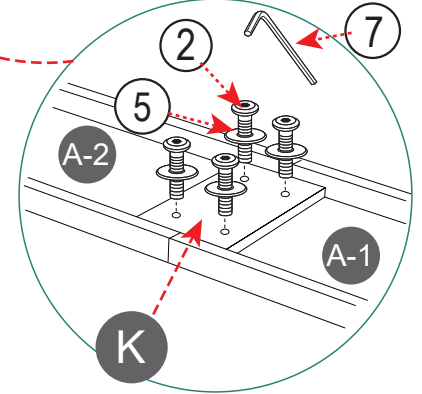
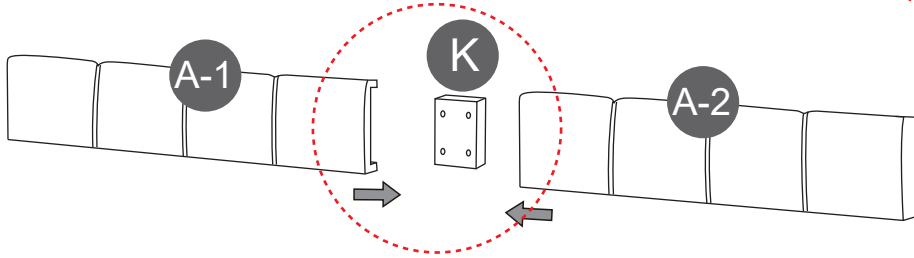
1. Do not Full Tighten the nut or screw until all ready to assemble.
2. Do not Over Tighten the nut or screw to avoid causing damages to the thread.
3. Keep all hardware part out reach of children.



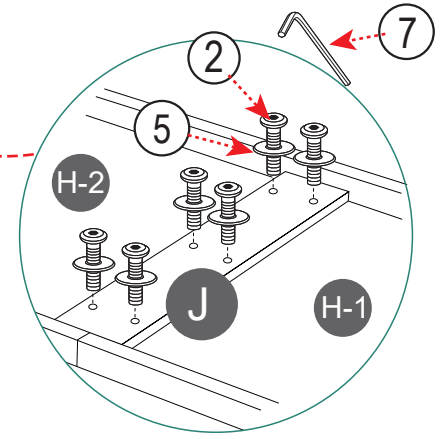
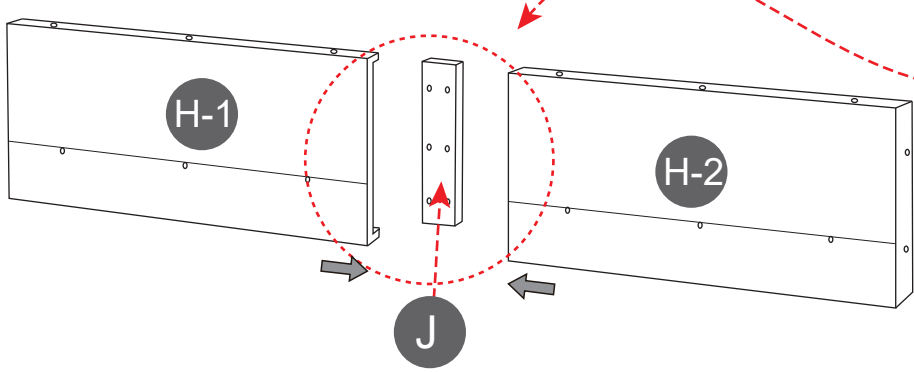
STEP 1

2	5
	
14 pcs	14 pcs

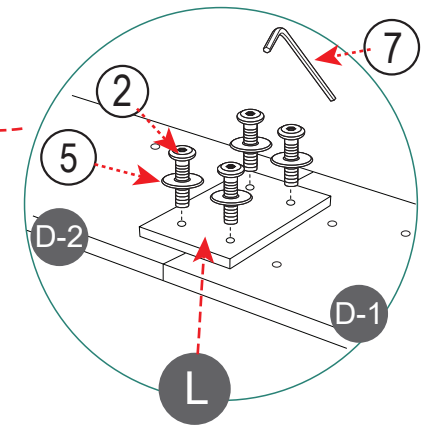
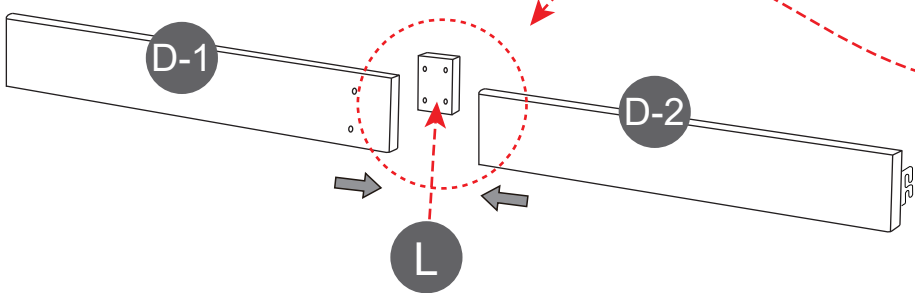
STEP 1.1



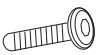

STEP 1.2

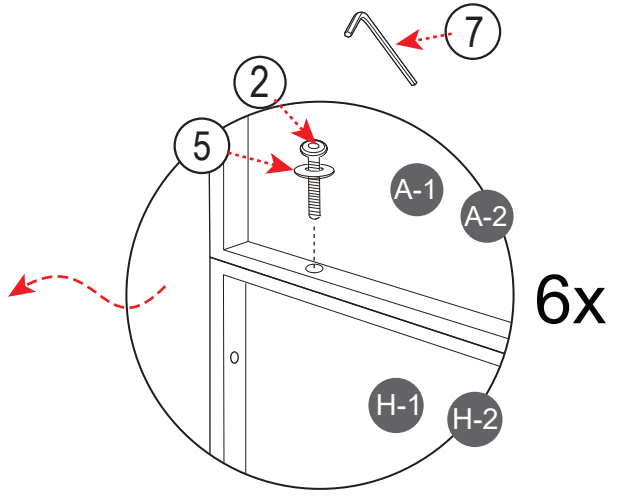
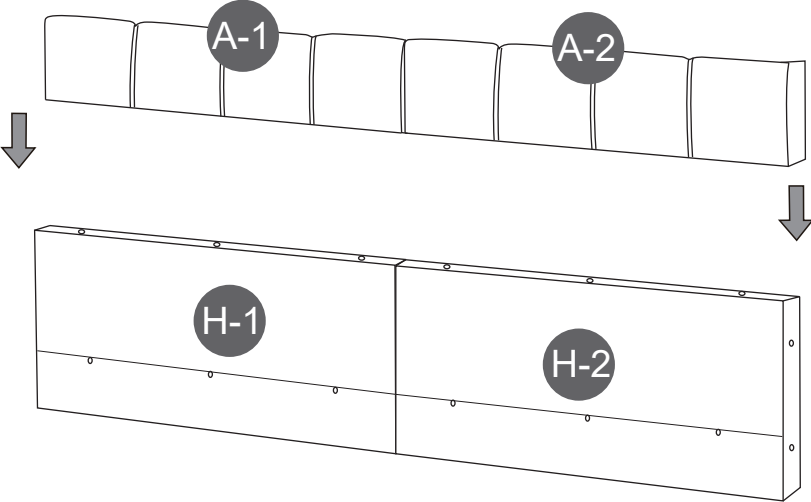


STEP 1.3

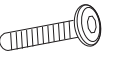


STEP 2

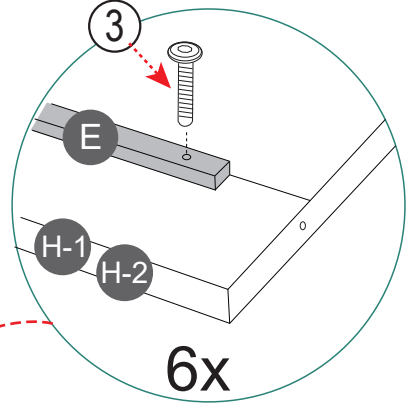
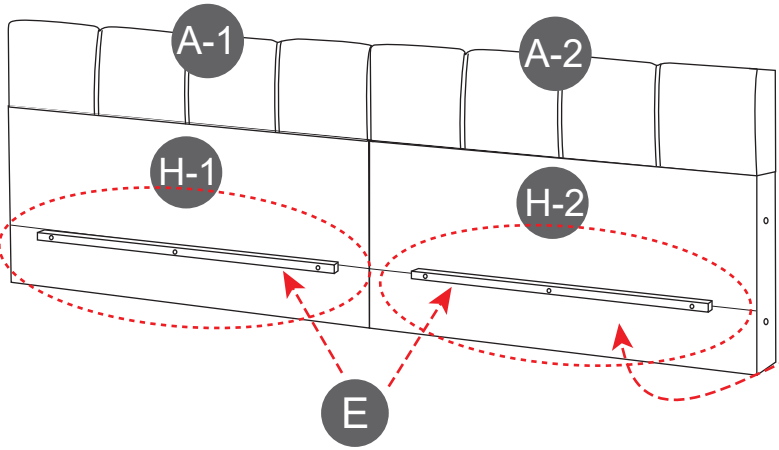
2	5
	
6 pcs	6 pcs



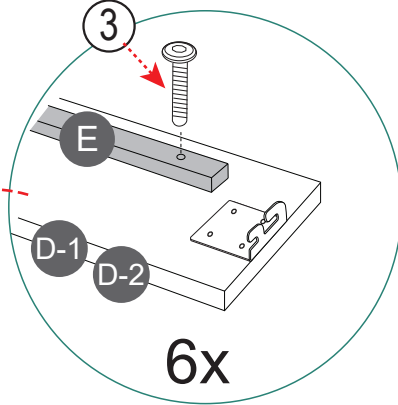
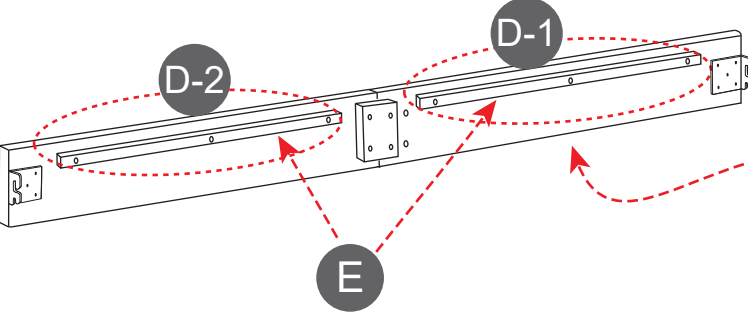
STEP 3

3

12 pcs

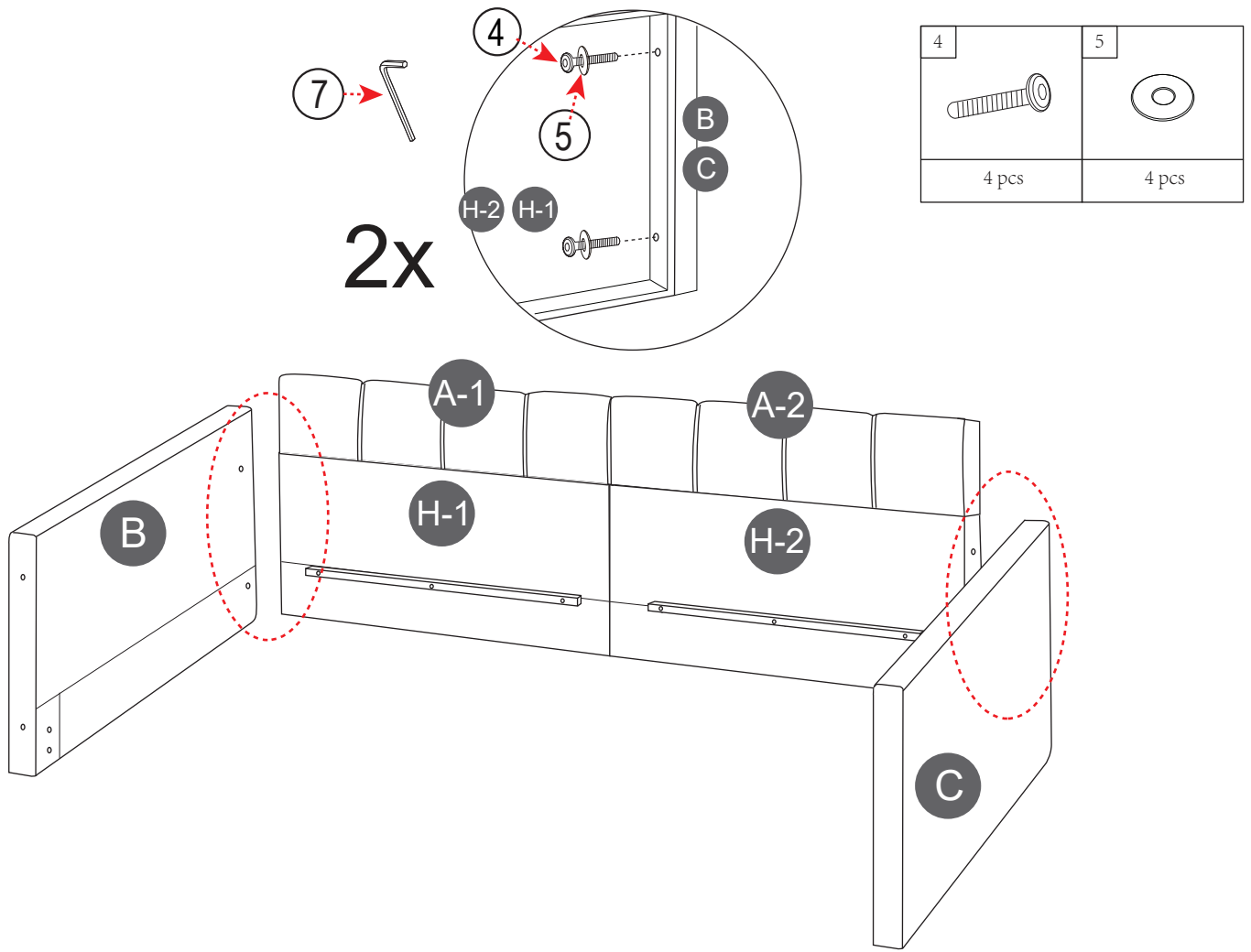
STEP 3.1



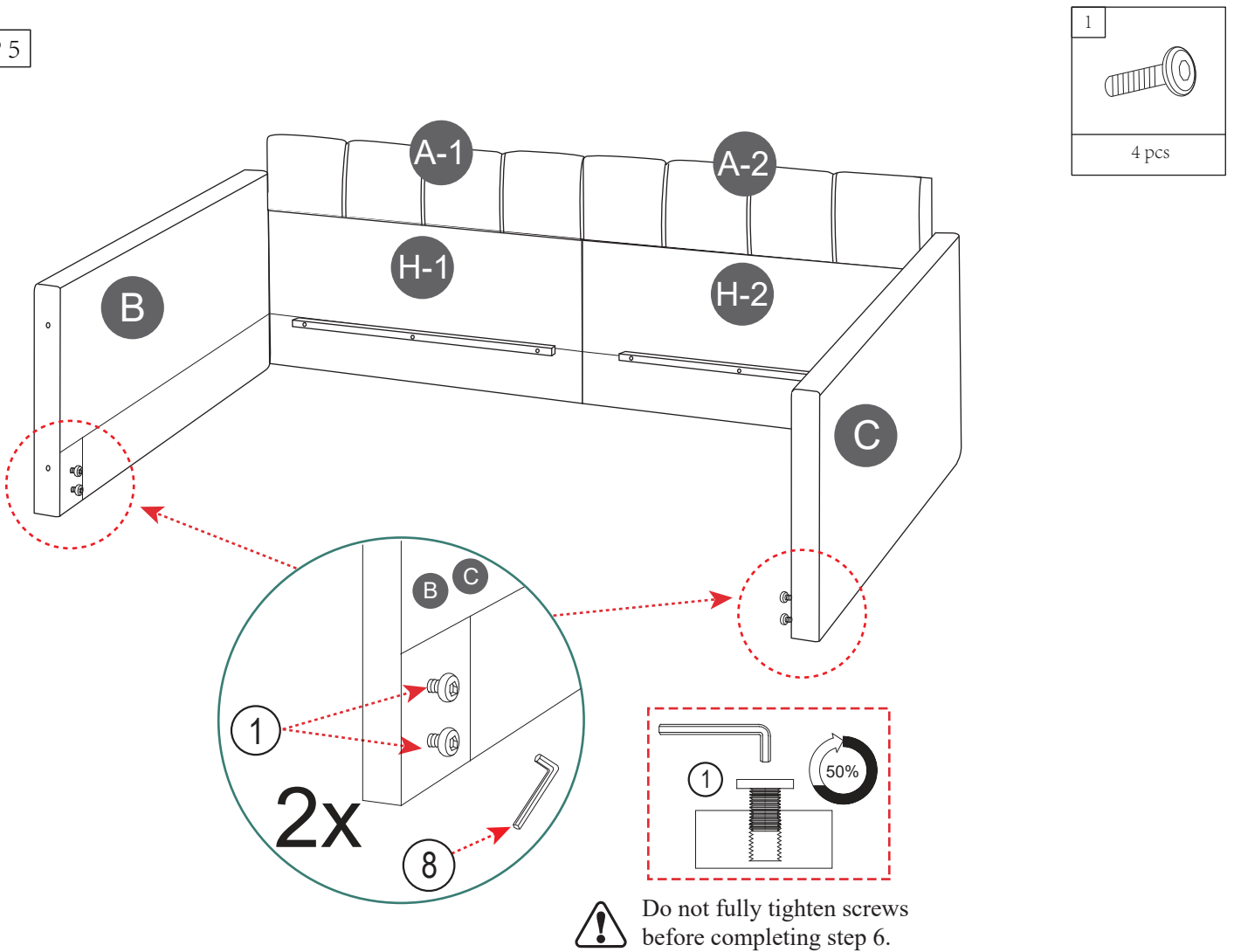
STEP 3.2



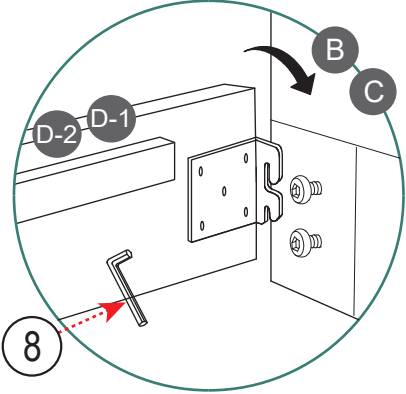
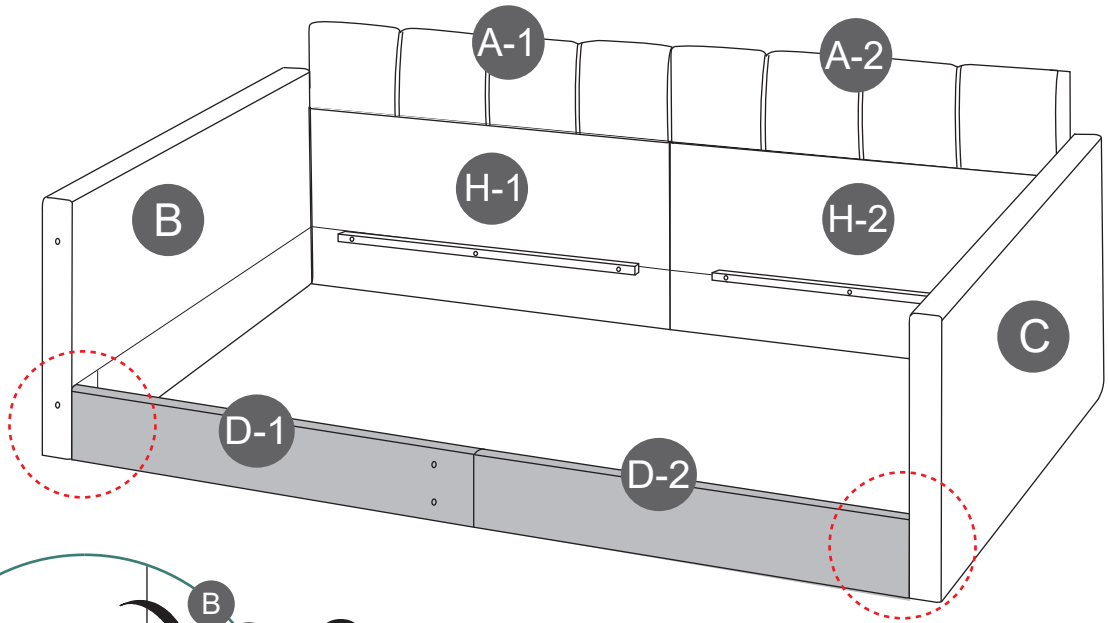
STEP 4



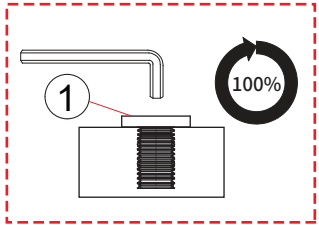
STEP 5



STEP 6

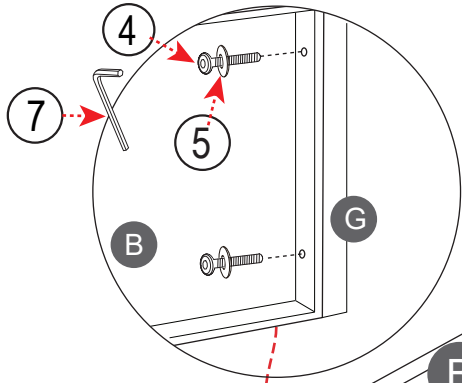


2x

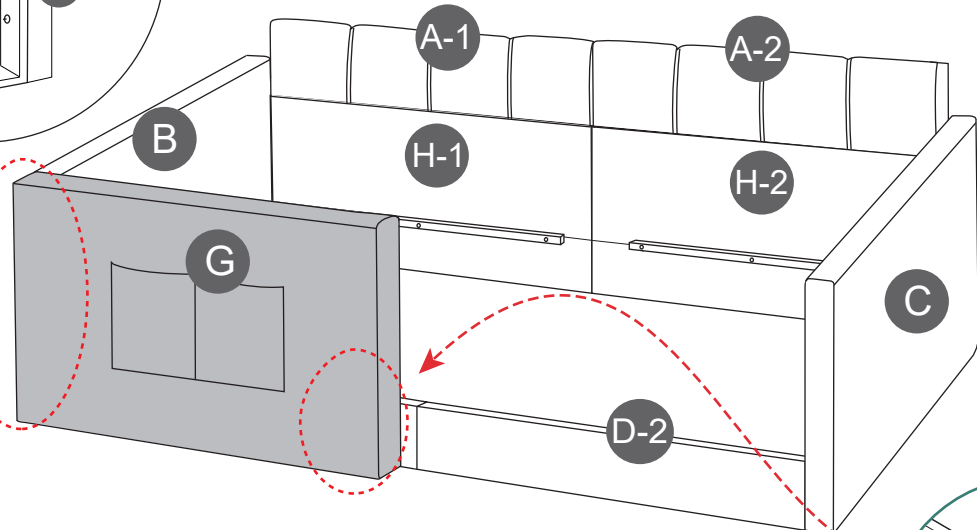


STEP 7

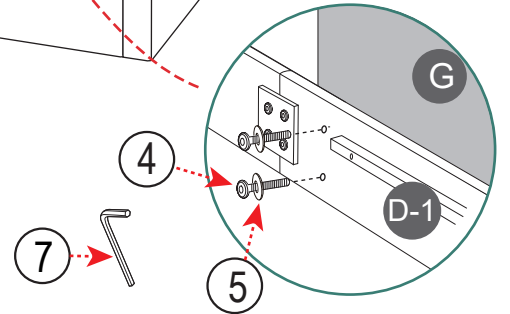
STEP 7.1



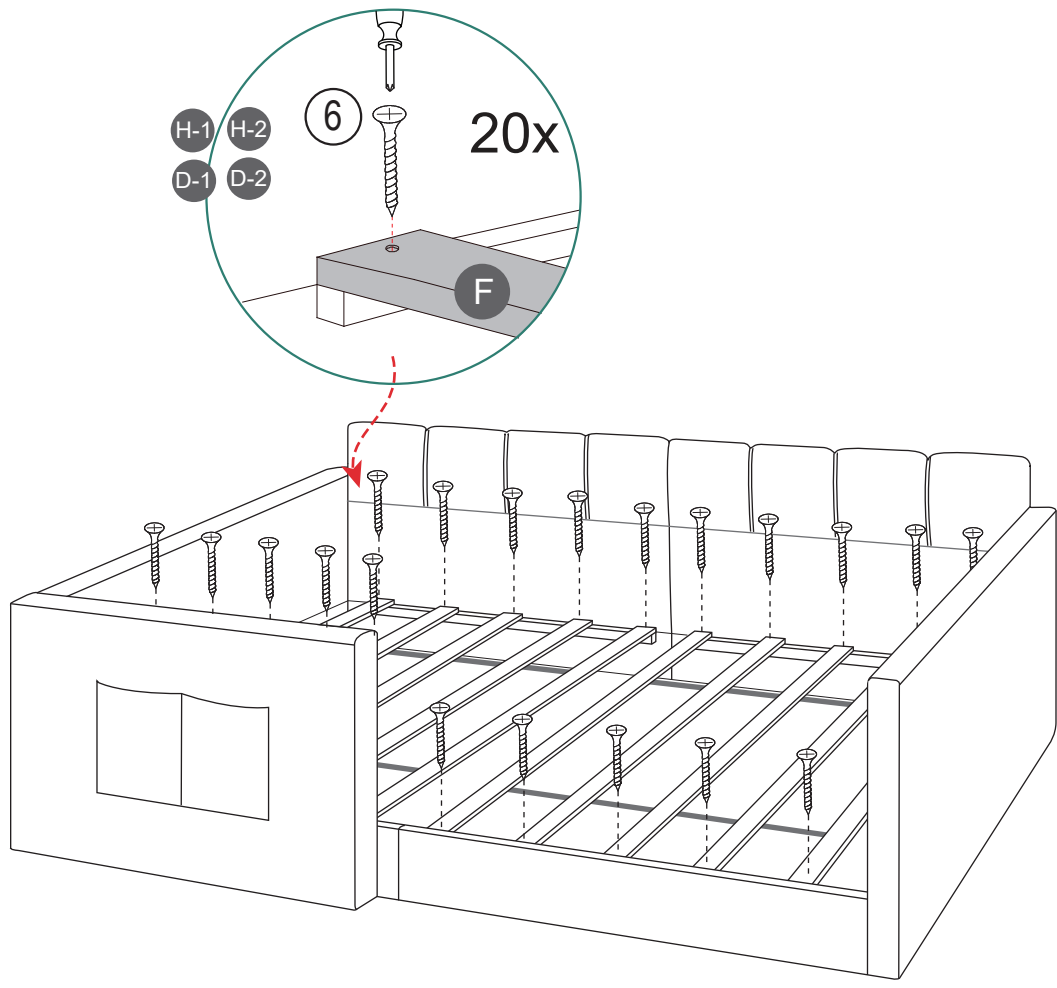
4	5
4 pcs	4 pcs




STEP 7.2



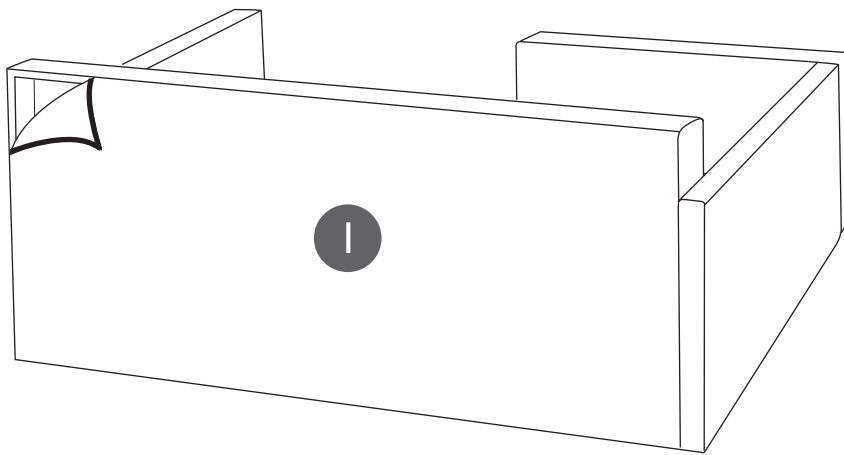
STEP 8

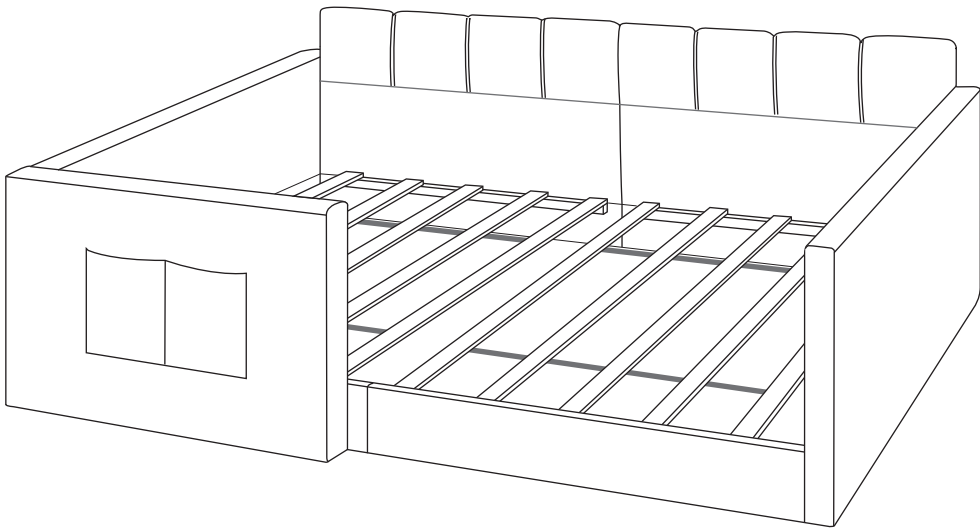


6

20 pcs

STEP 9

As a final step, attach the fabric cover behind the side rail.





COMPLETED  
ASSEMBLY