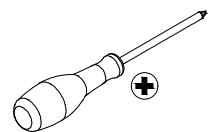
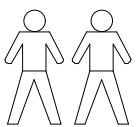
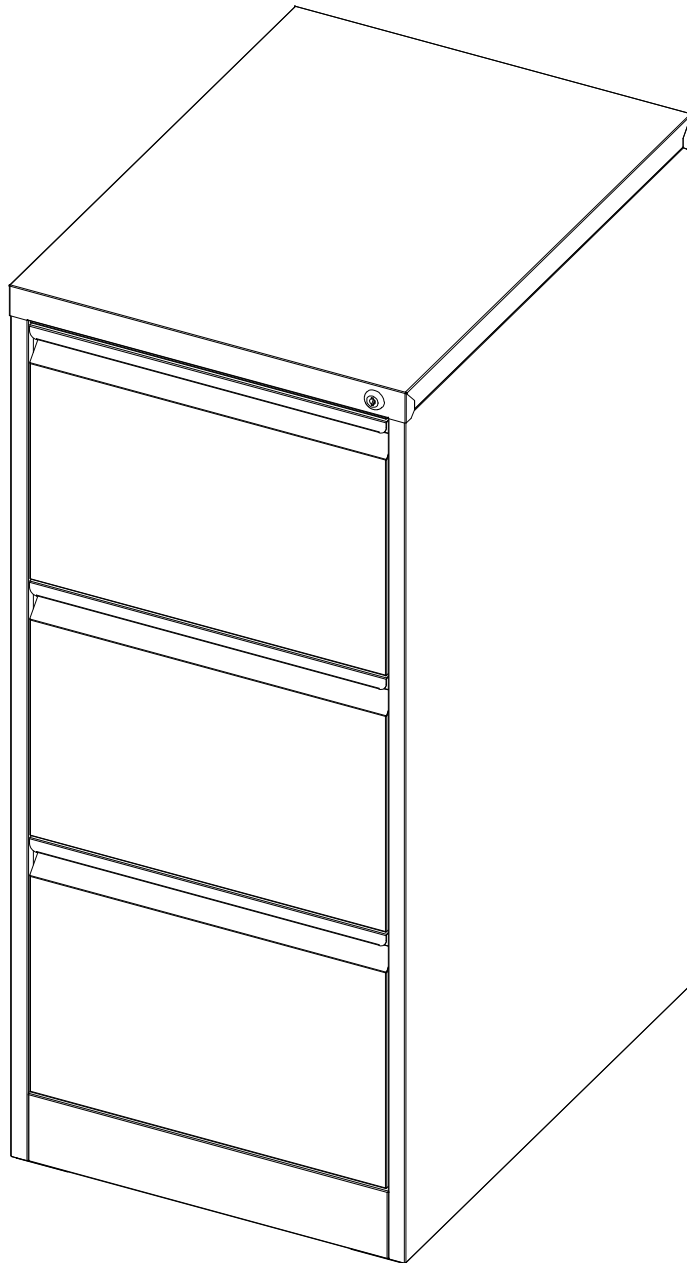
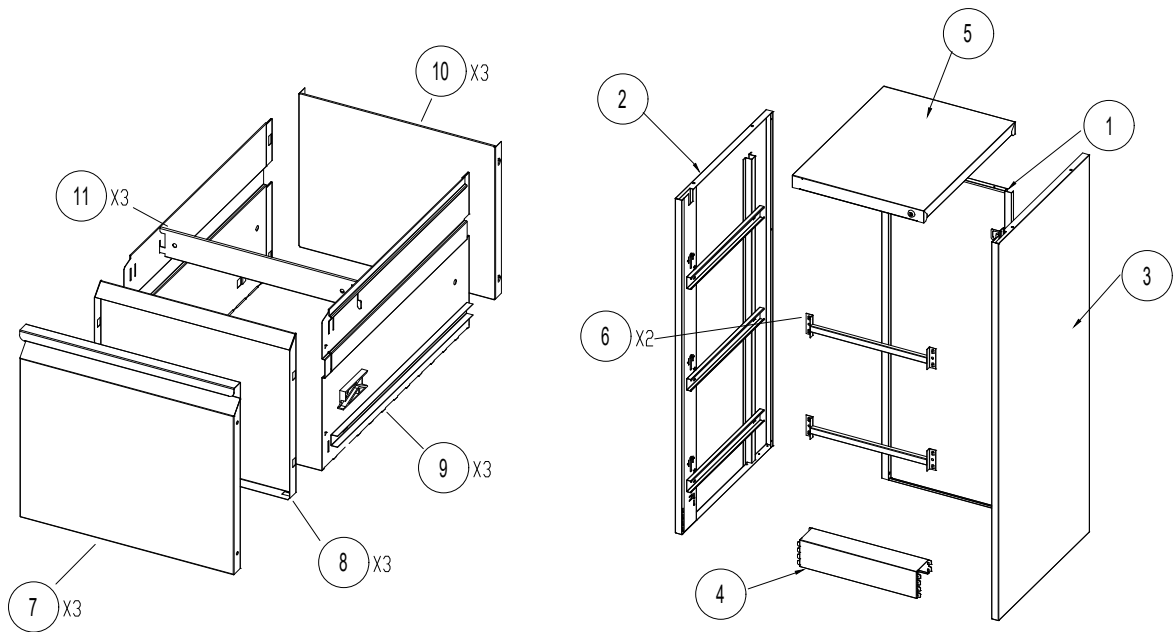


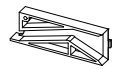

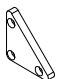
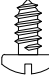


H08BN003/H08WN004



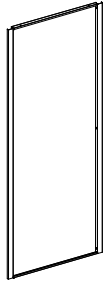
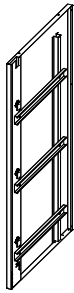
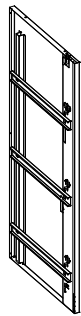
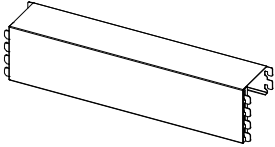
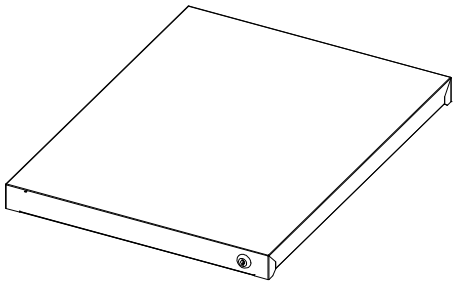
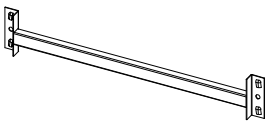


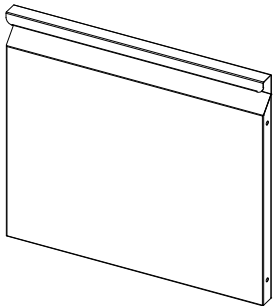
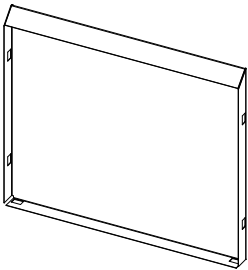
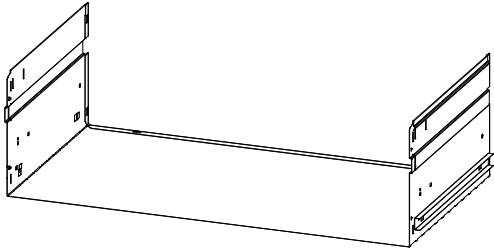
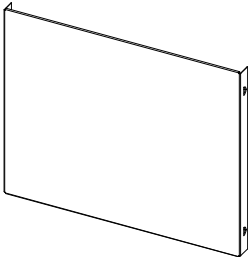
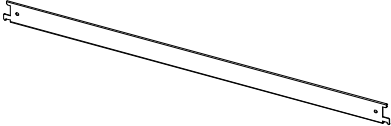
<p>A × 2</p> 	<p>B × 4</p>  <p>M4x16mm</p>	<p>C × 3</p> 	<p>D × 3</p>  <p>M4x8mm</p>
<p>E × 4</p> 	<p>F × 22</p>  <p>M5x12mm</p>		

Box 1/1:

① ② ③ ④ ⑤ ⑥ x2 ⑦ x3 ⑧ x3 ⑨ x3 ⑩ x3 ⑪ x3

PARTS DISPLAY

1- Back plate	1PCS	2-Left Panel	1PCS
			
3-Right Panel	1PCS	4-Lower frame	1PCS
			
5-Top Panel	1PCS	6-Rod	2PCS
			

7-Drawer Front Panel	3PCS	8-Front plug	3PCS
			
9-Drawer Chest	3PCS	10-Rear plug	3PCS
			
11-Long hanging rod	3PCS		
			

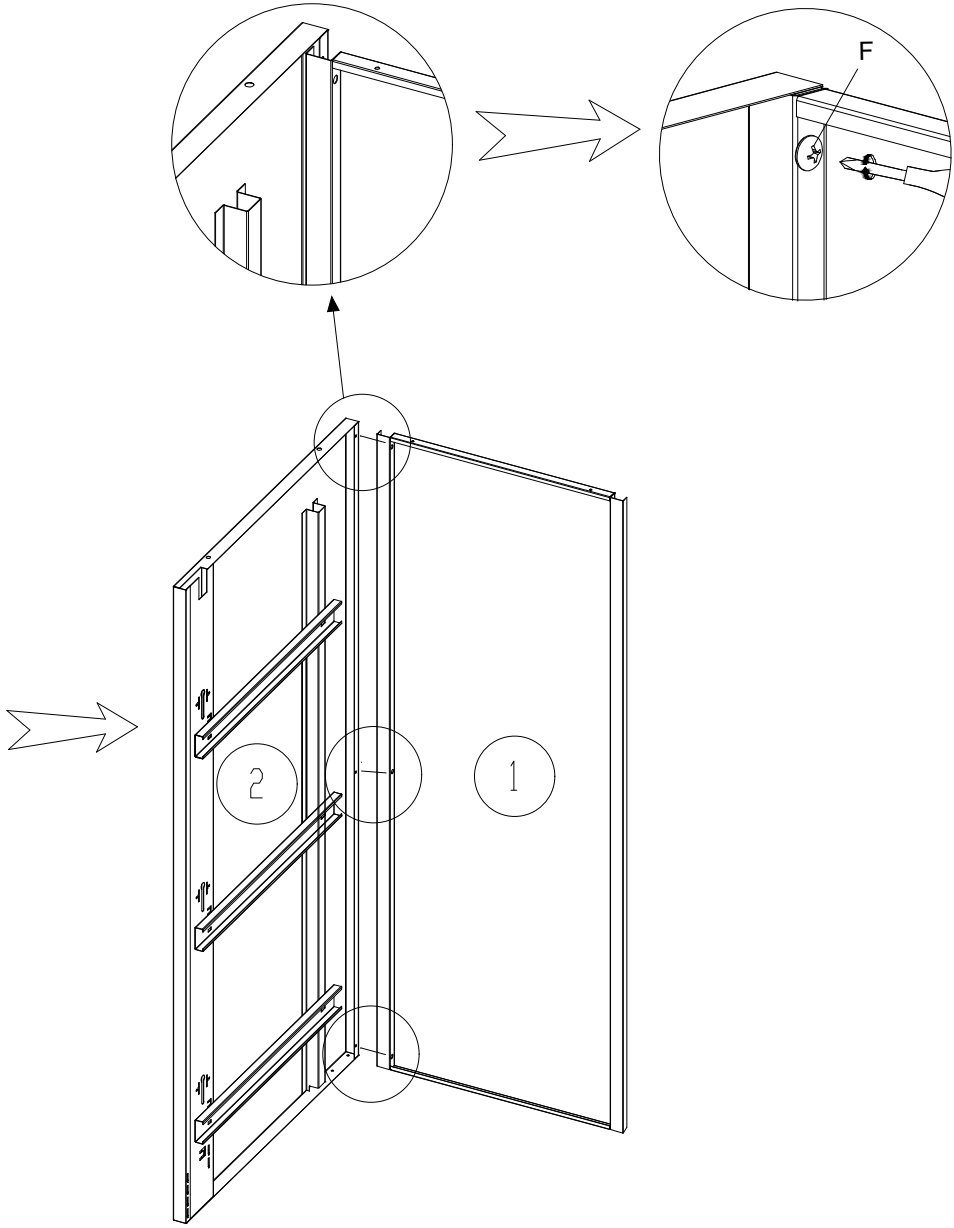
Installation step

1

F x 3	
 M5x12mm	



Press tightly, make sure hole to hole

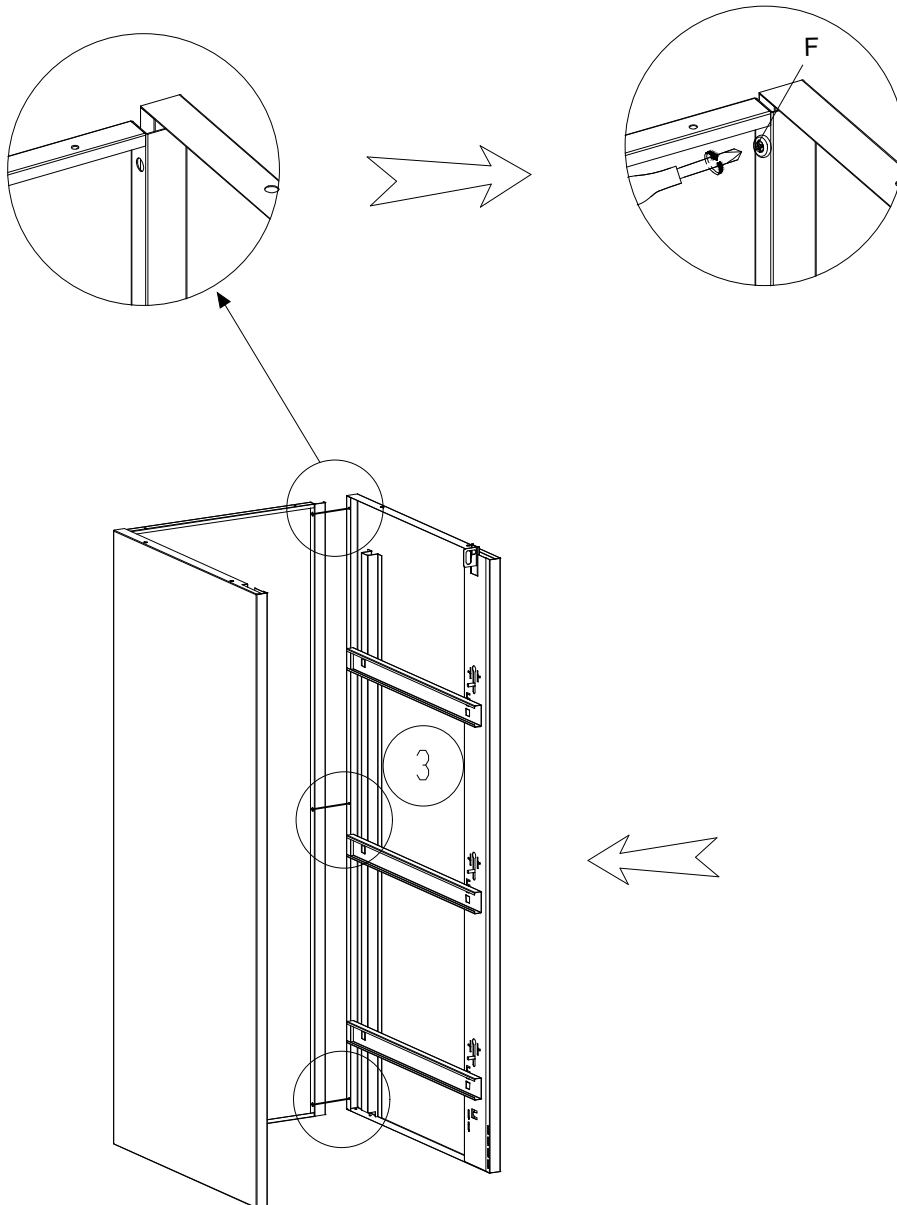


2

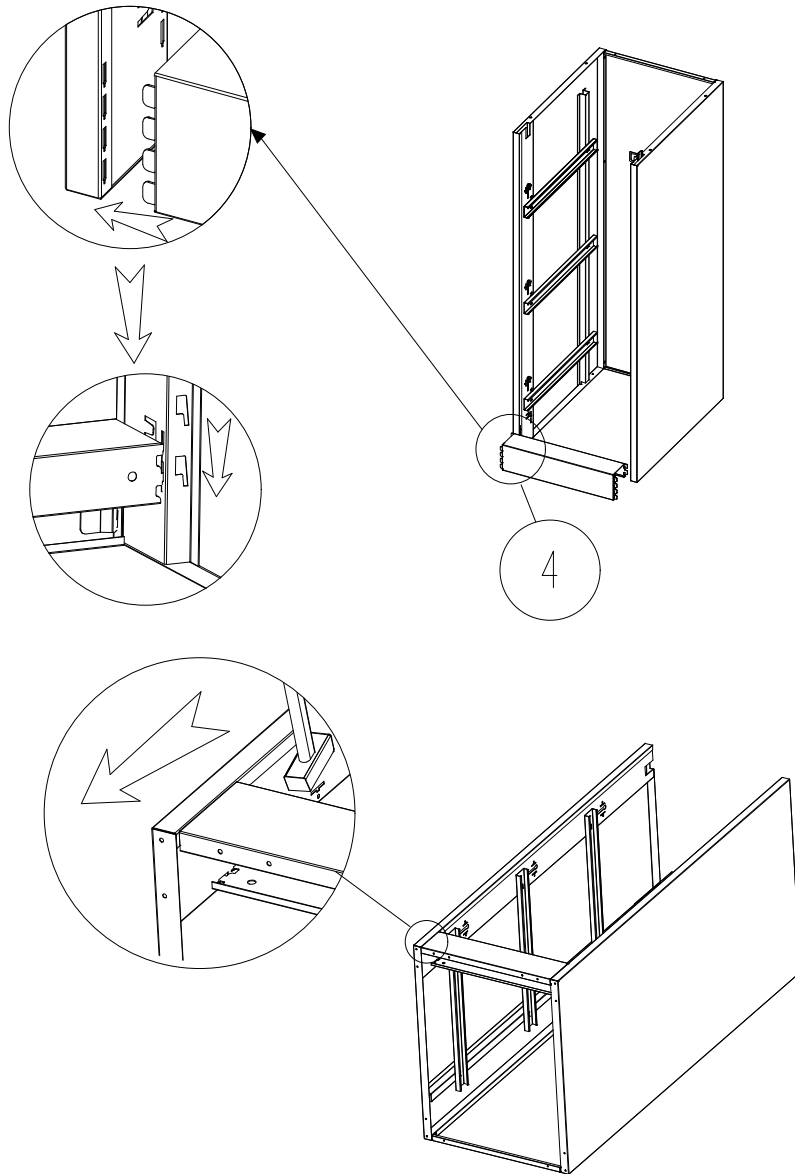
F x 3	
 M5x12mm	



Press tightly, make sure hole to hole



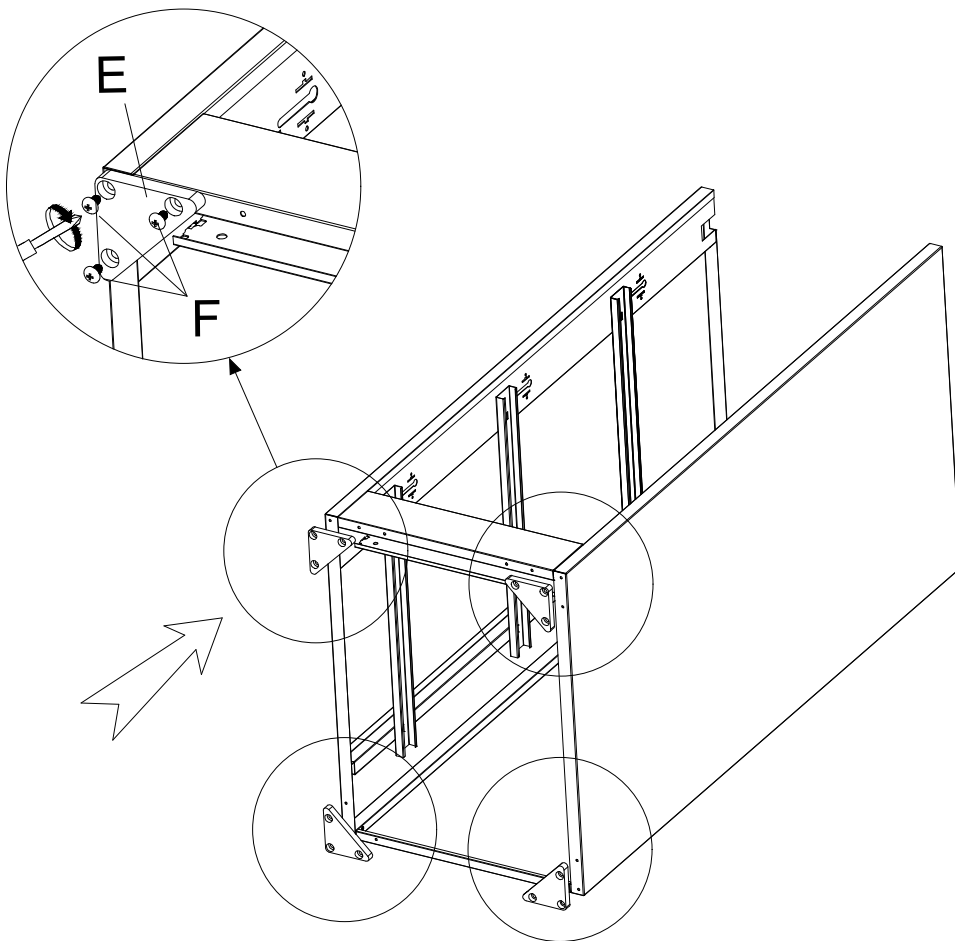
3



Top down with a soft hammer until it is flat with the bottom of the side panel

4

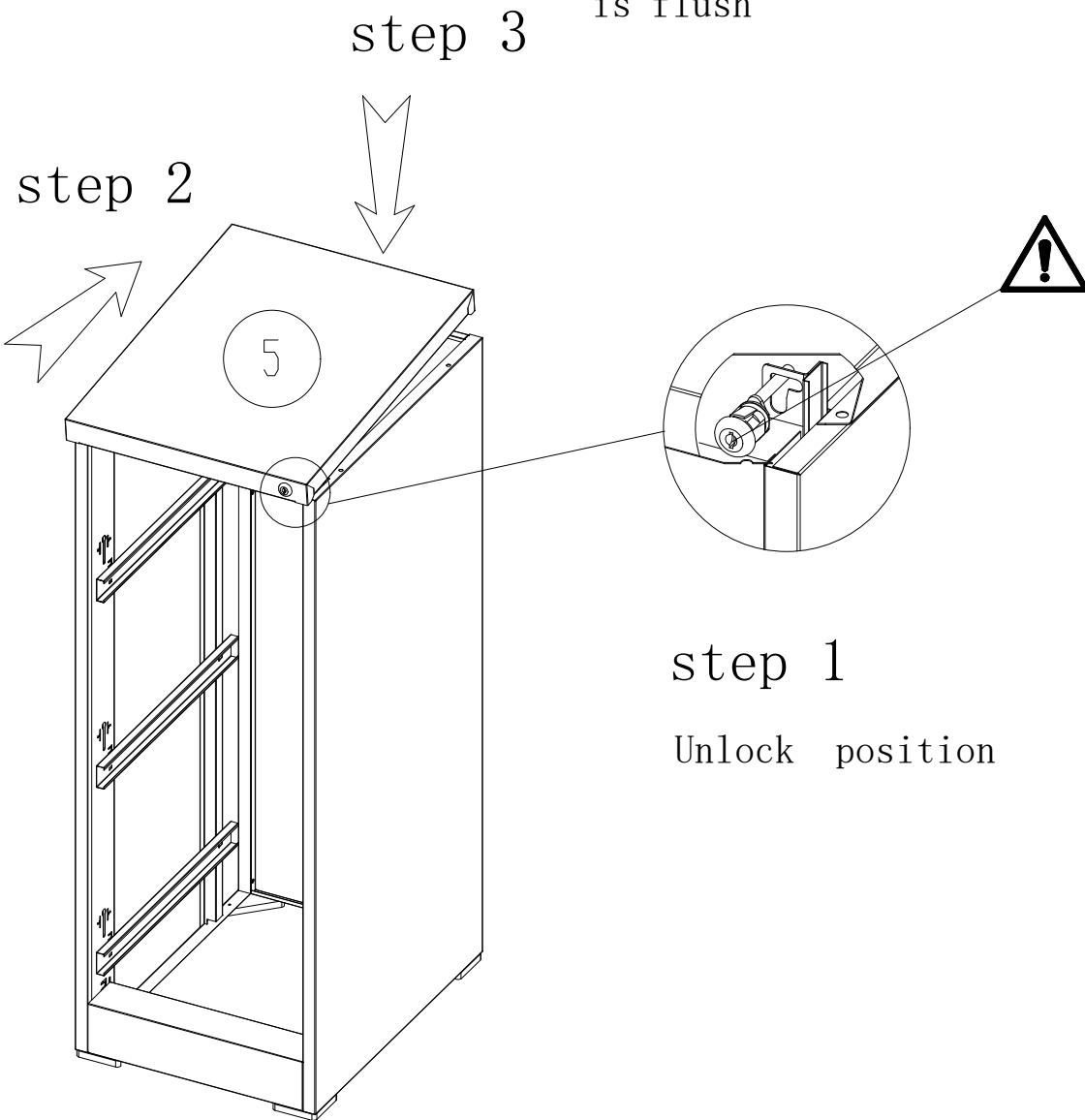
F x 12	E x 4	
 M5x12mm		



5

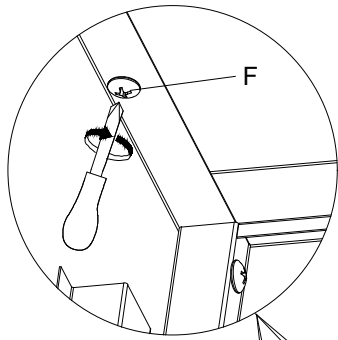


The back is squeezed forward and the top is slapped downward with hand force until the installation is flush



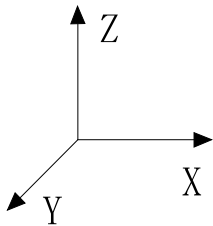
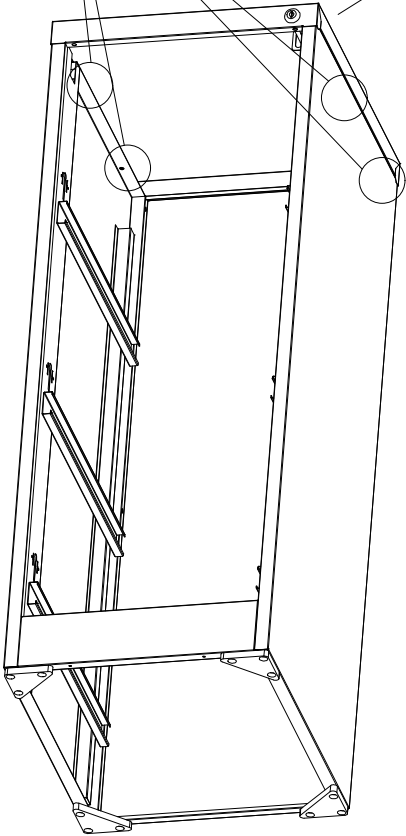
6

F x 4	
 M5x12mm	

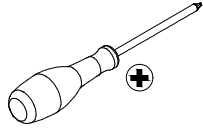



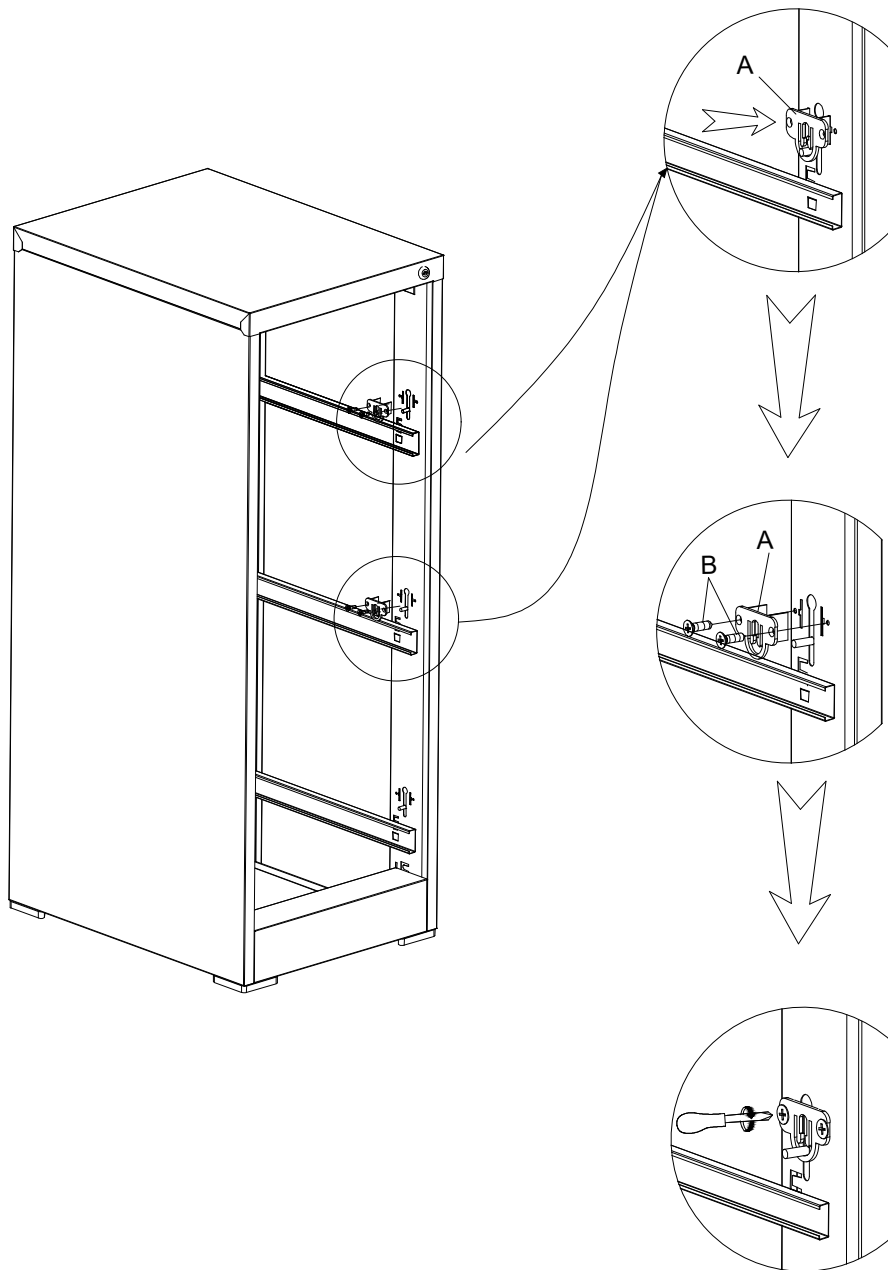
screw on the inside

TOP

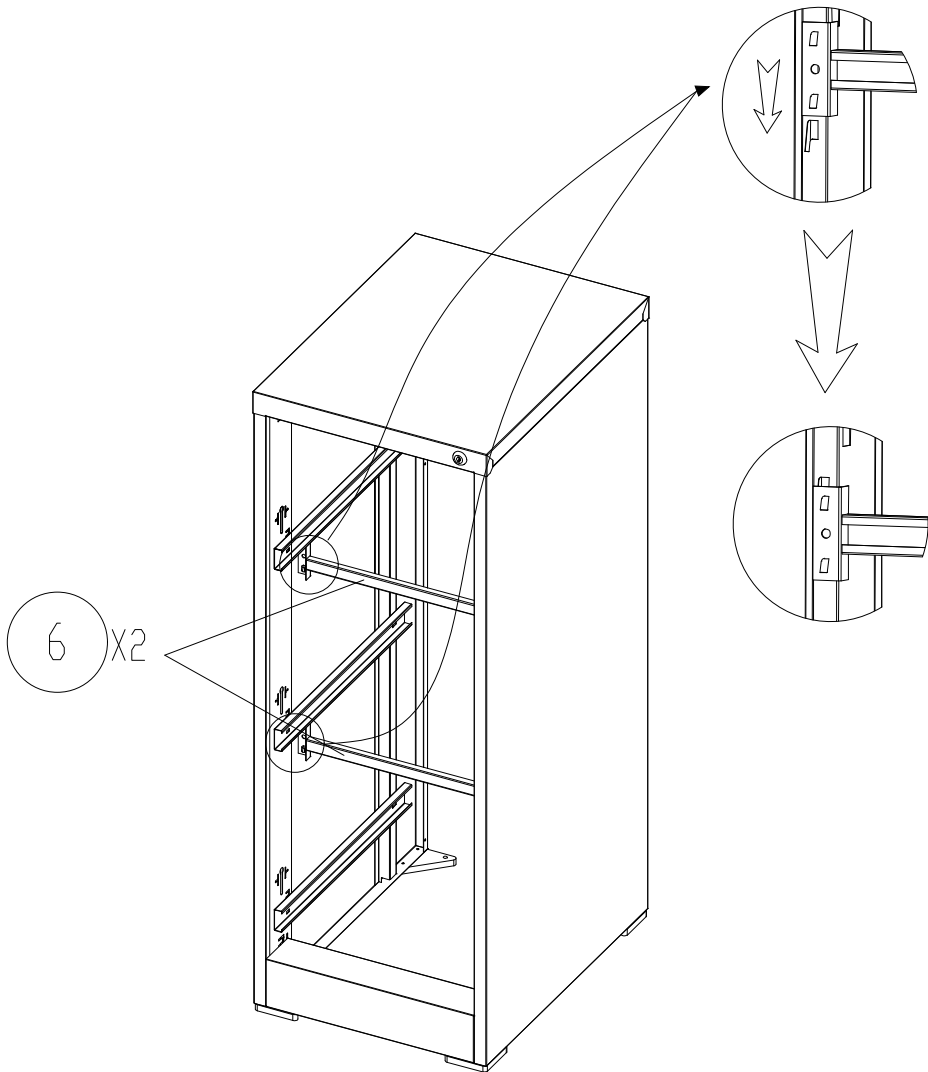


7

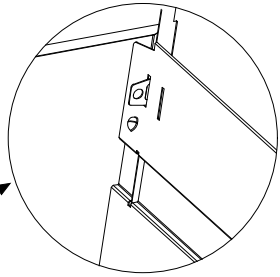
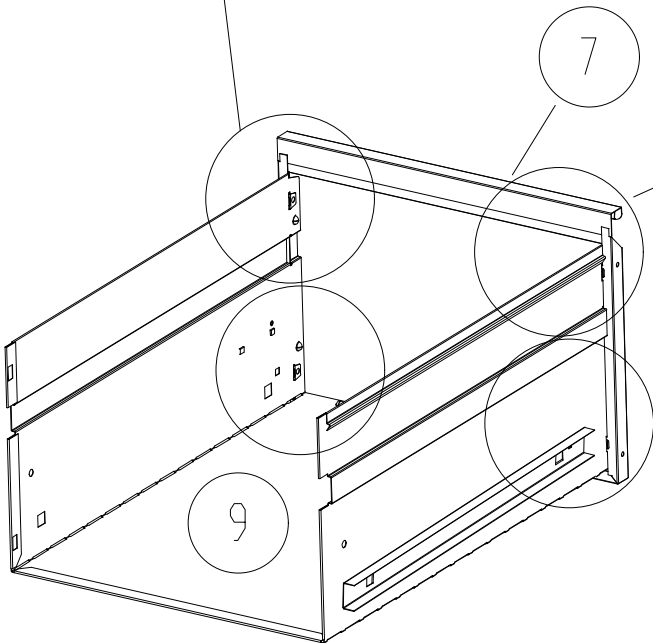
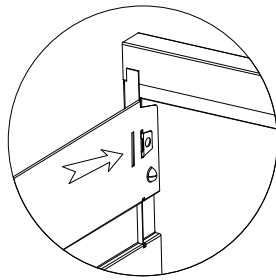
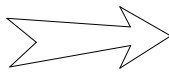
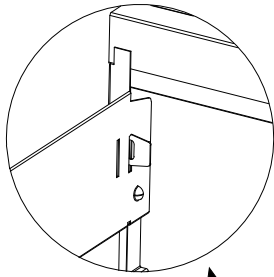
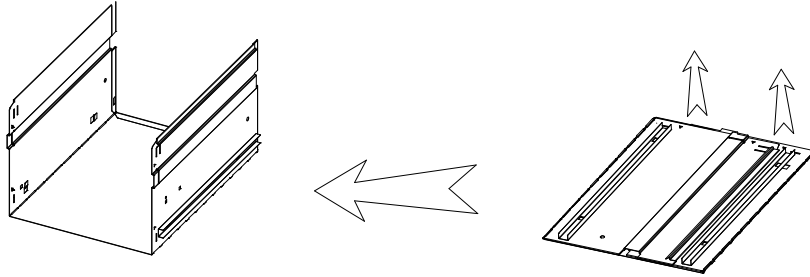
A x 2	B x 4	
	 M4x16mm	



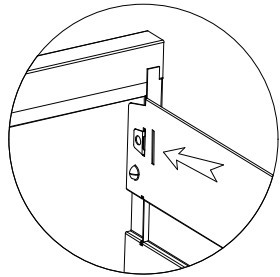
8



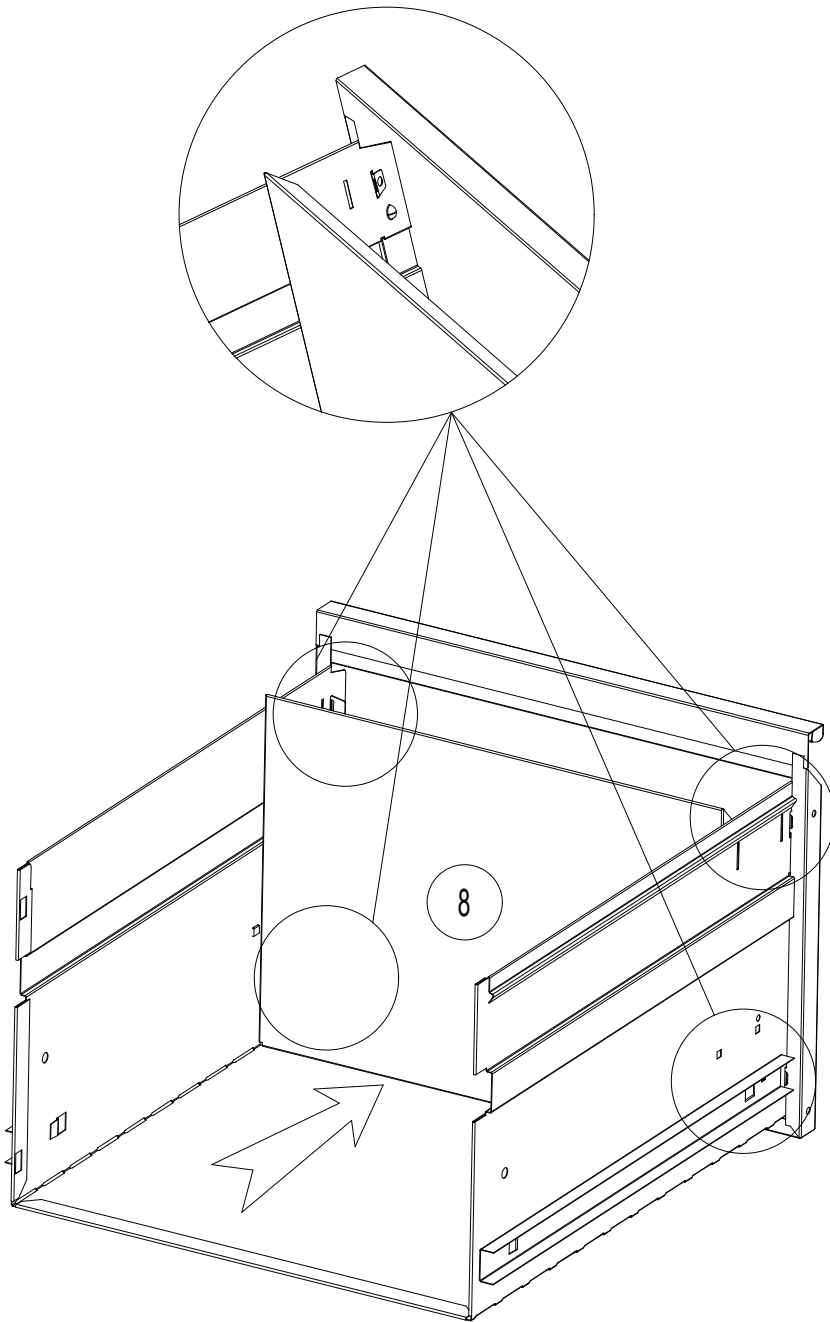
9



X3



10

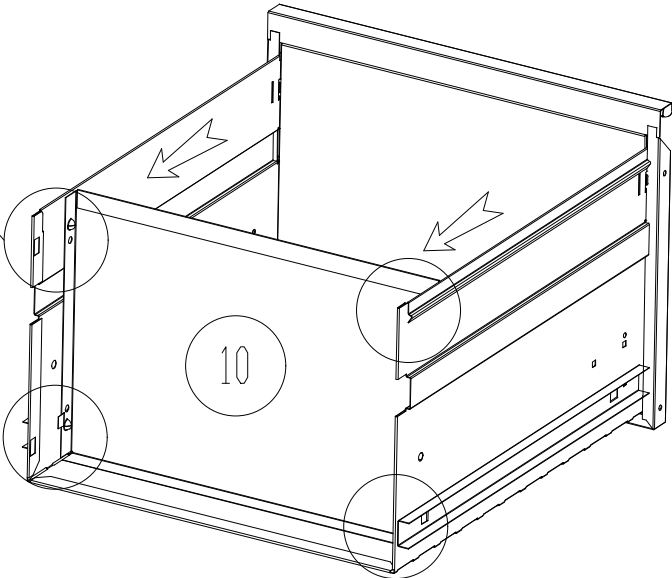
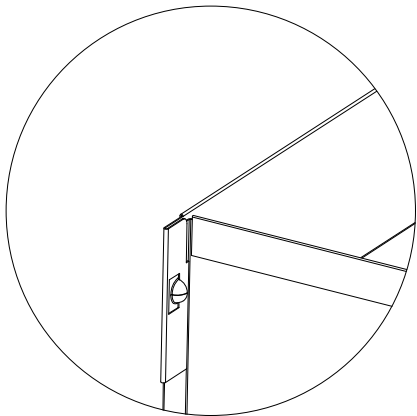
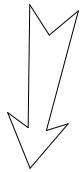
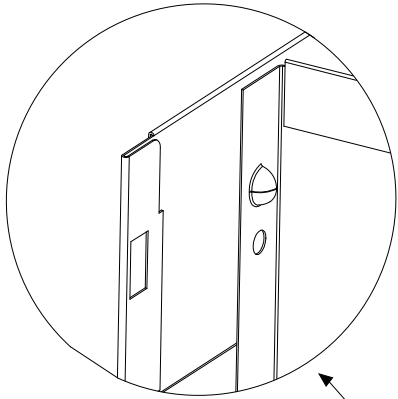


X3

11



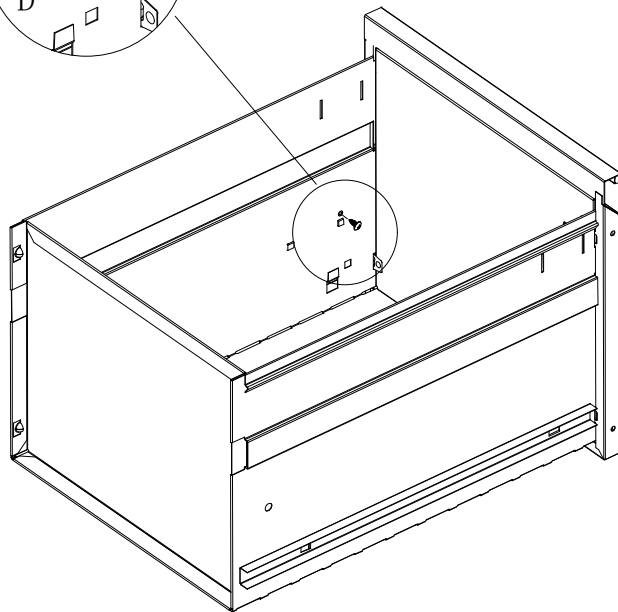
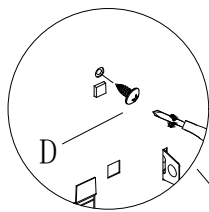
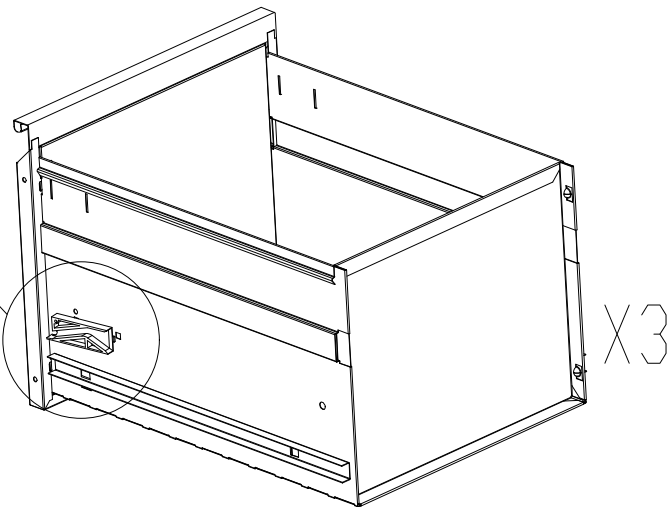
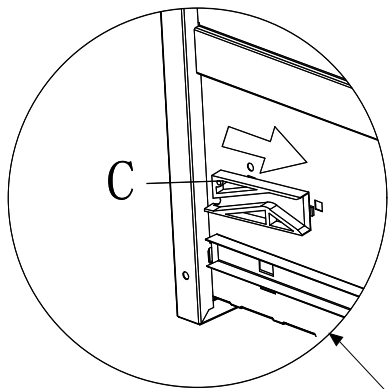
Tap lightly Rear plug



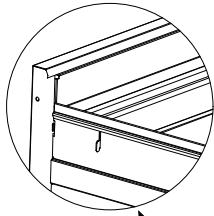
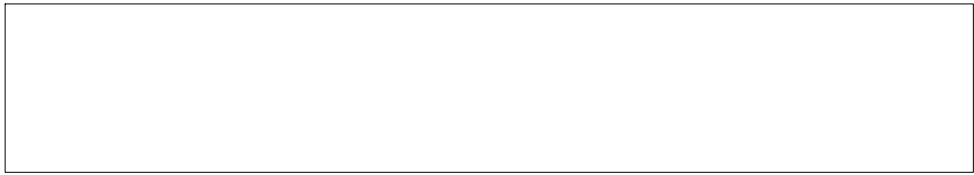
X3

12

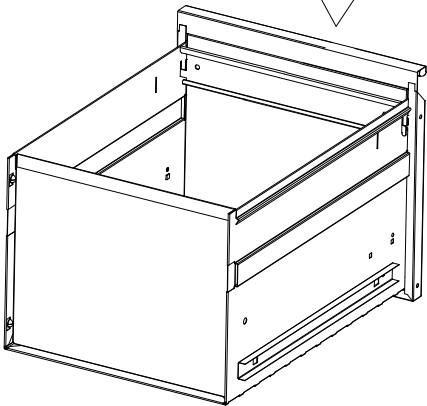
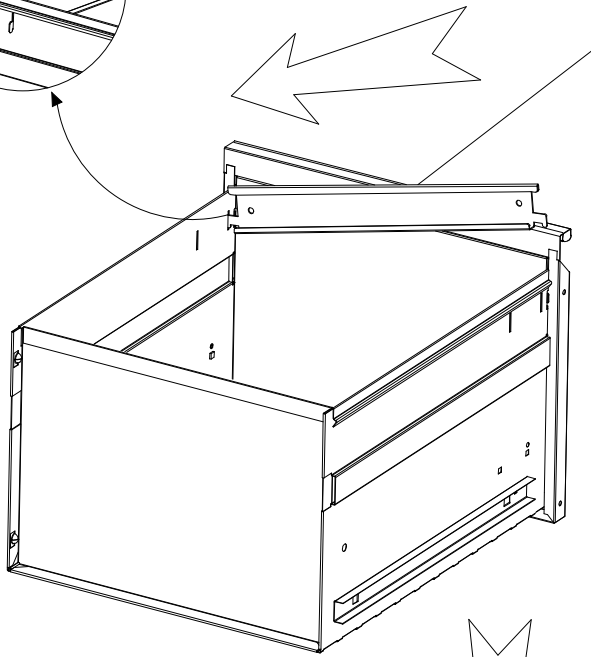
C x 3	D x 3	
	 M4x8mm	



13



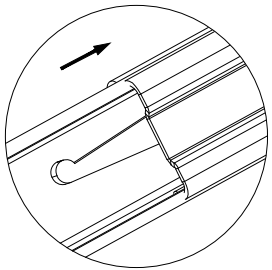
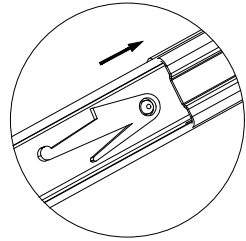
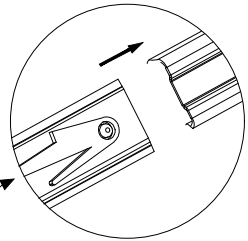
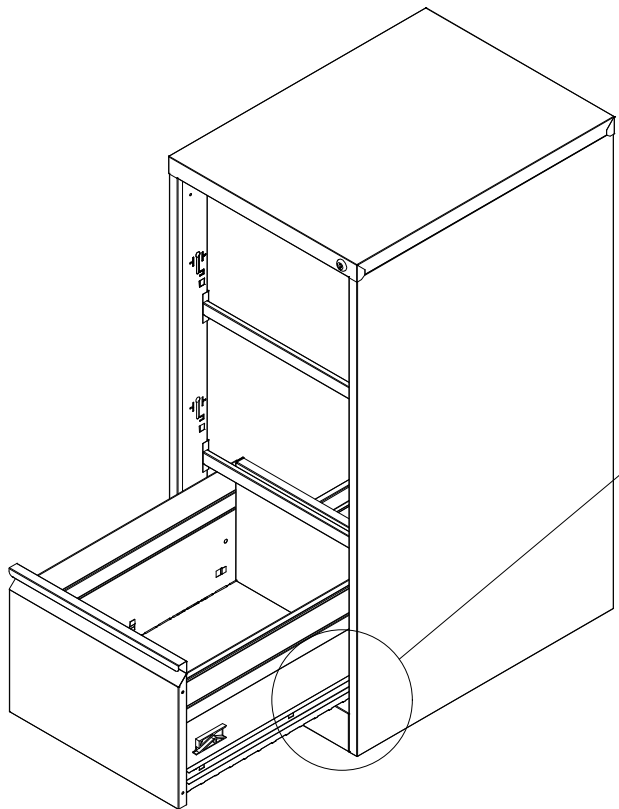
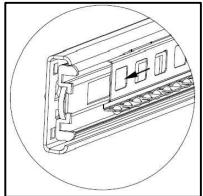
11



14



Must step:A First slide the steel ball to the front of the cabinet's outer slide.



B: Insert the inside railway course on both sides of drawer on the outside railway course of cabinet at the same time. Two people must put the drawer flat and insert it slowly and synchronously. After inserting it to the end, pull it out slowly twice, the slide track works normally. If it works fails, please follow the slide track removal instructions, open it and reinstall it.

15

