
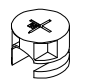
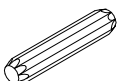

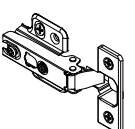
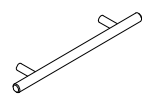

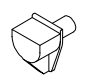
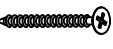

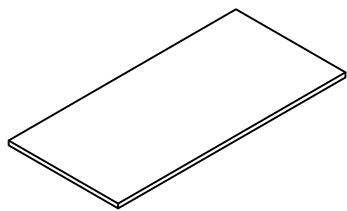


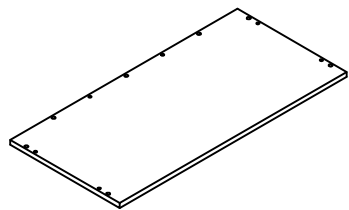
A	B	C	8*40	D	3.5*14	E	F	G	4*22	H	I	4*50	J	8*40
														
18PCS	18PCS	16PCS		24PCS	4PCS	2PCS		4PCS	4PCS	10PCS				10PCS

1



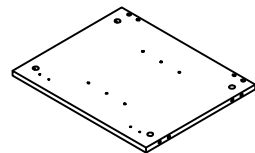
800*385 1PS

2



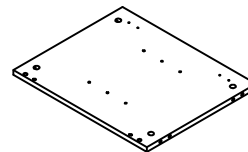
800*385 1PS

3



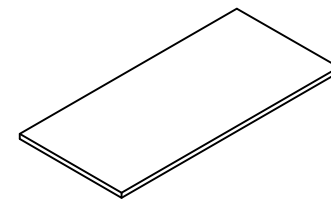
470*385 1PS

4



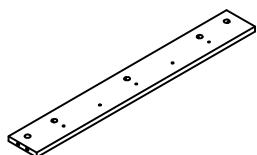
470*385 1PS

5



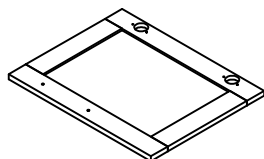
765*359 1PS

6



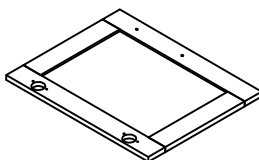
768*100 2PS

7



500*399 1PS

8



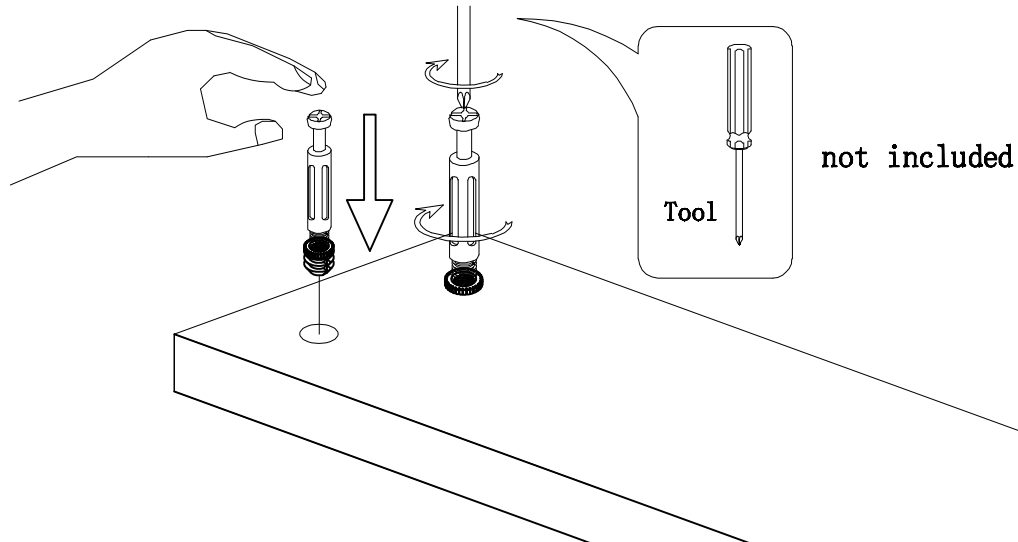
500*399 1PS



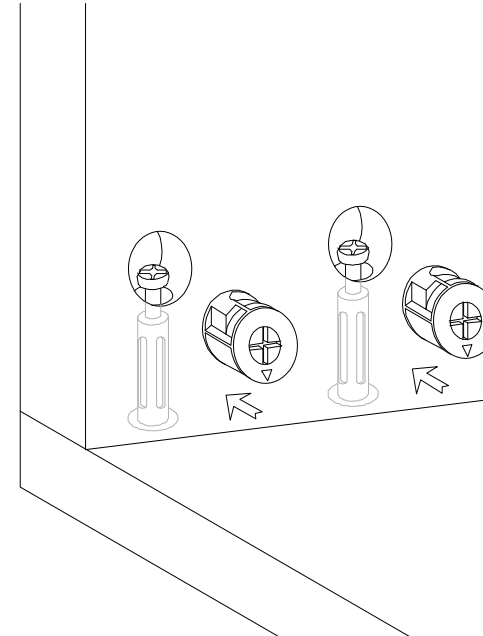
Hardware installation demonstration

NOTE: Please make sure "A" hardware tightened and can't be pulled out!

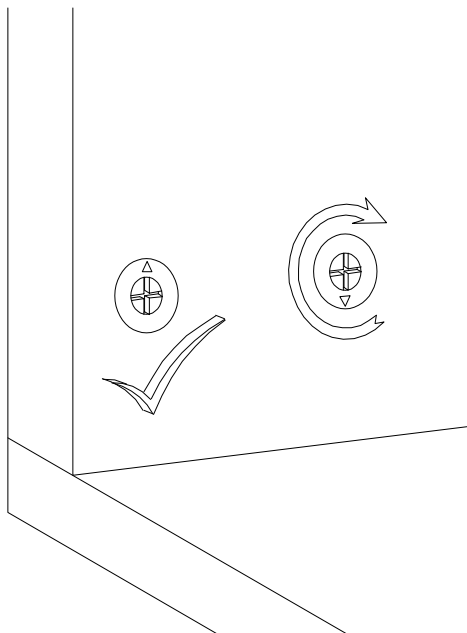
I



II



III

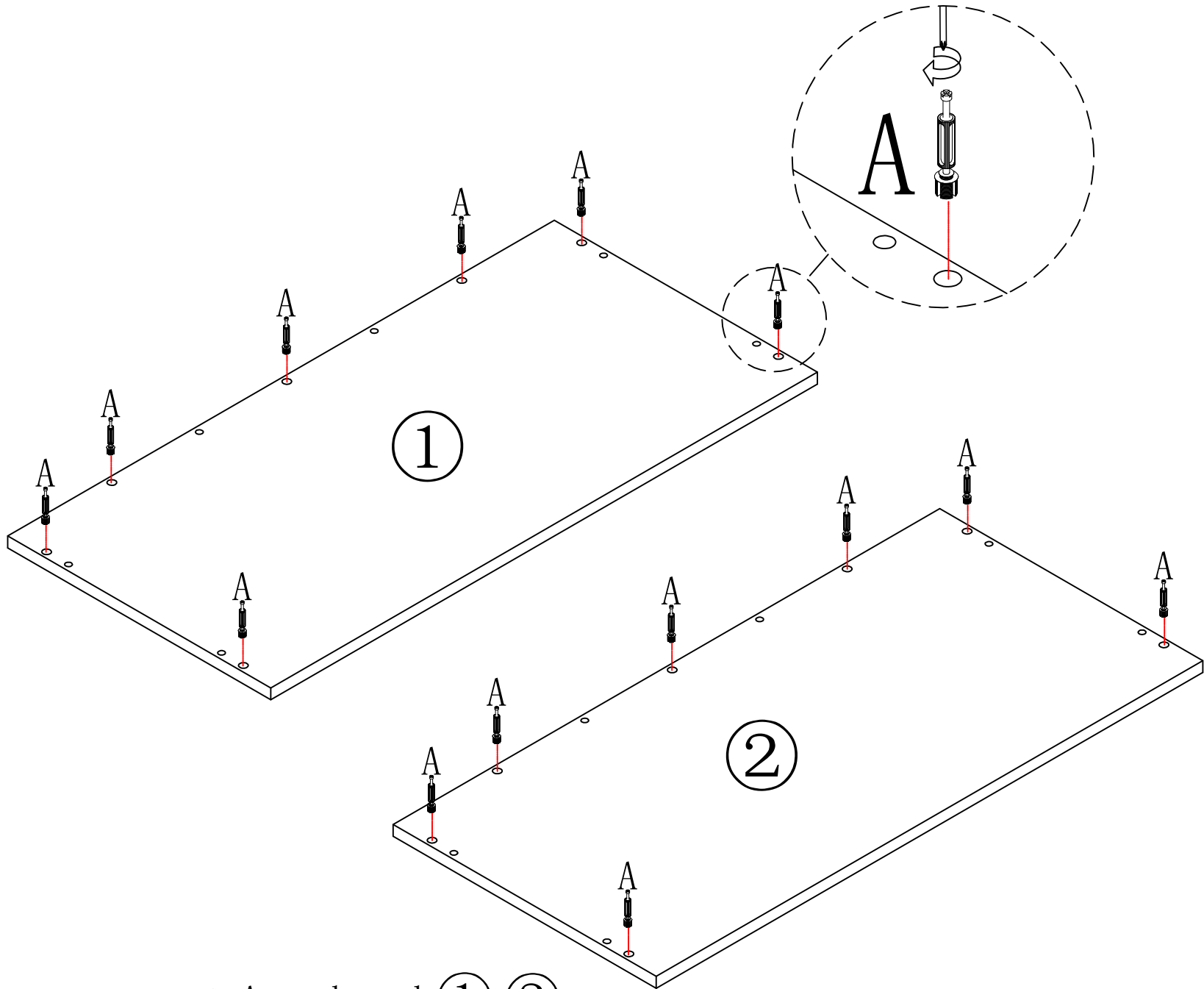


IV



Scan QR code for assembly video

1



1

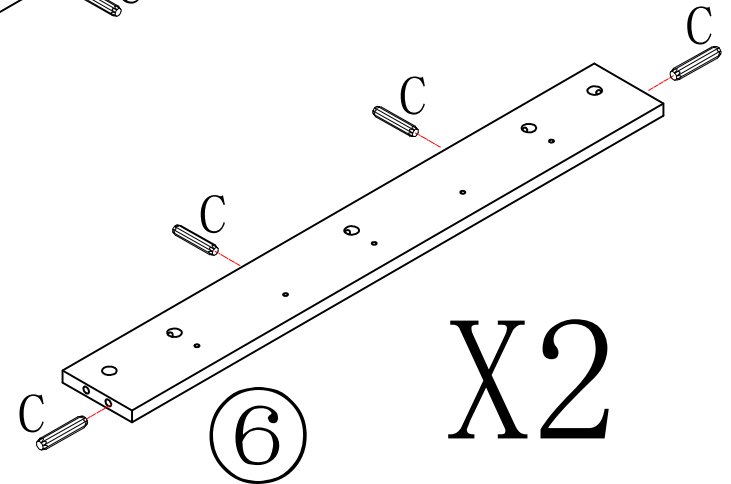
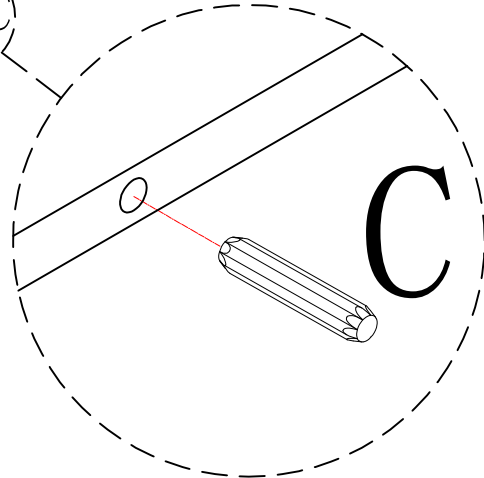
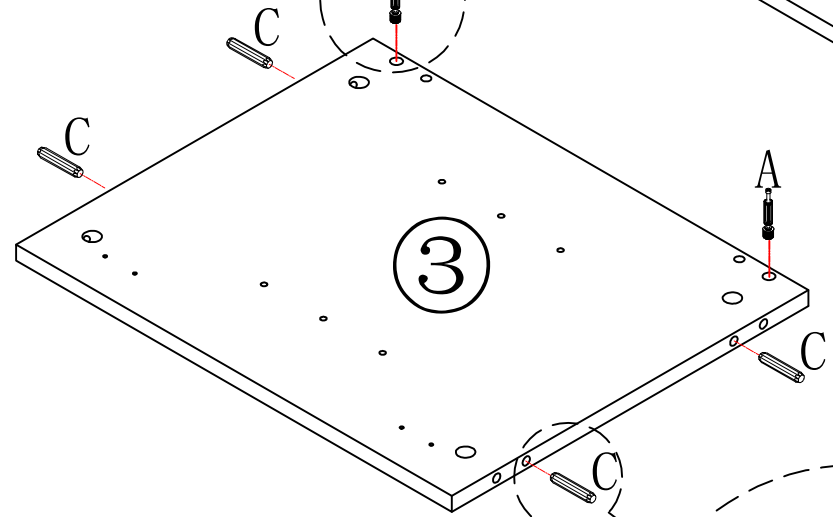
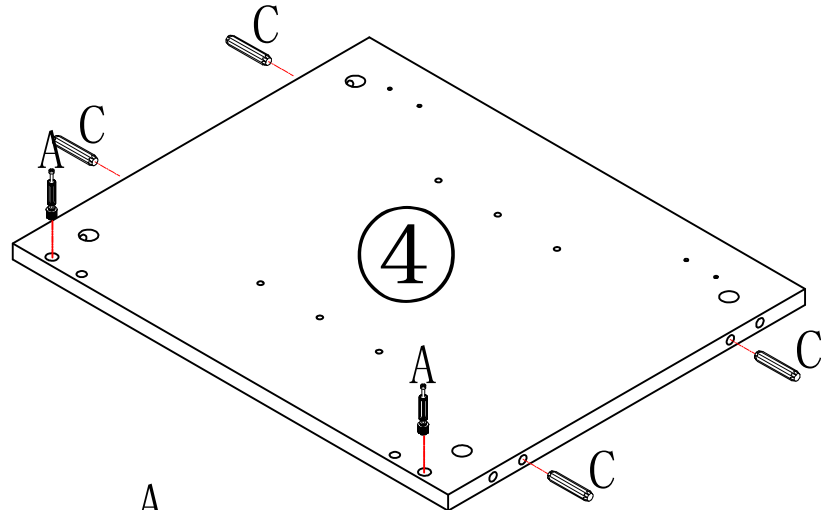
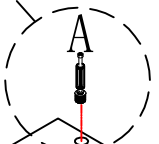
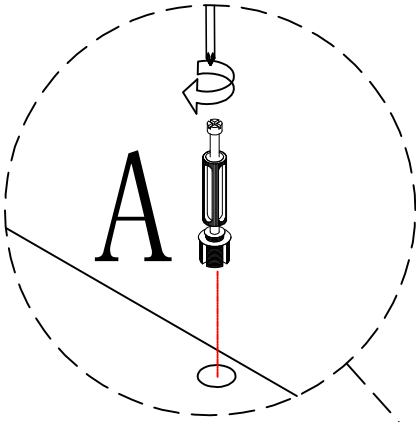
2


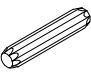
put A on board 1 2



A*14

2

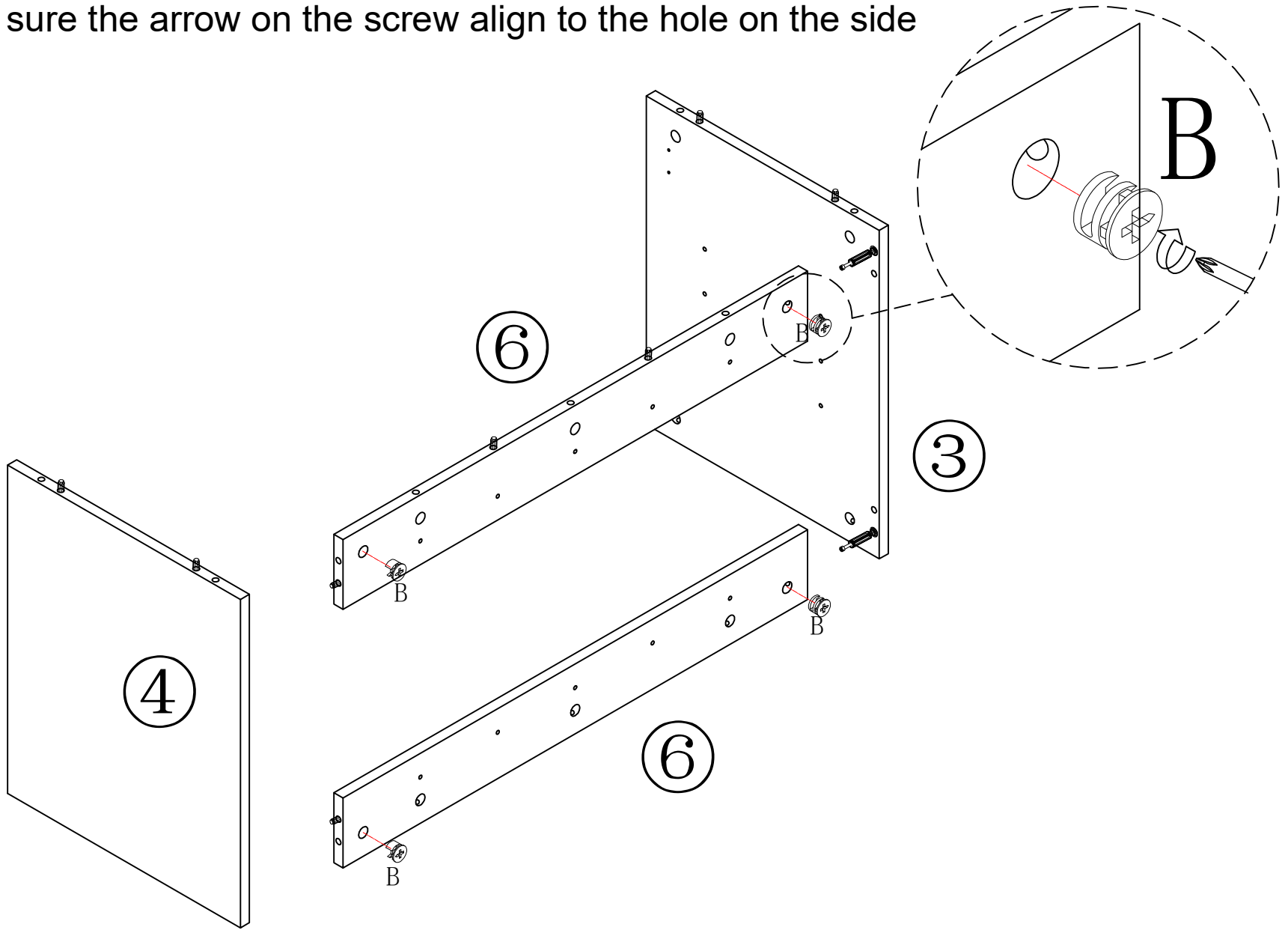


	A*4
	C*16

put A on board ③ ④
 put C on board ③ ④ ⑥

3

Make sure the arrow on the screw align to the hole on the side

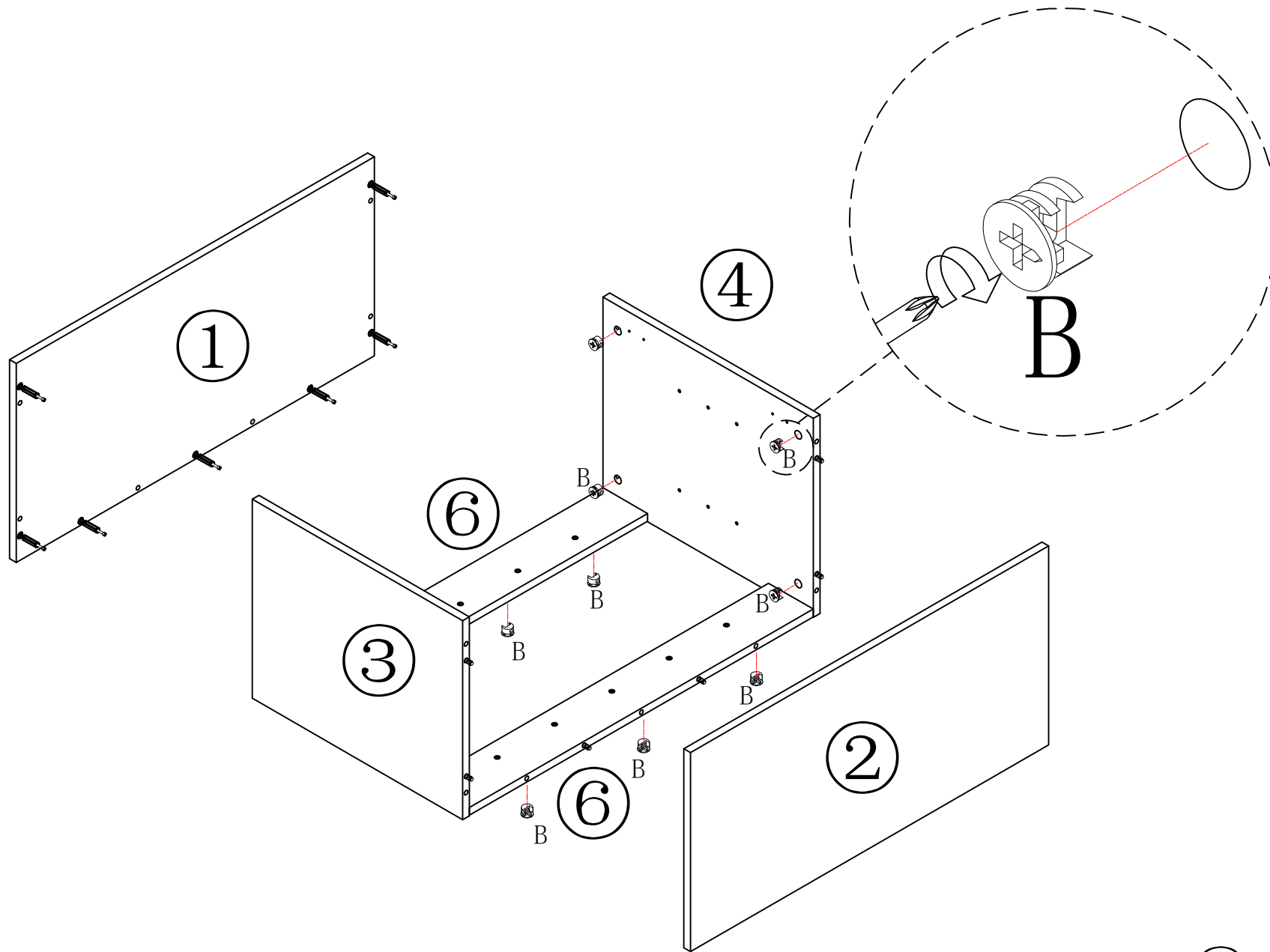


put B on board ⑥



B*4

4

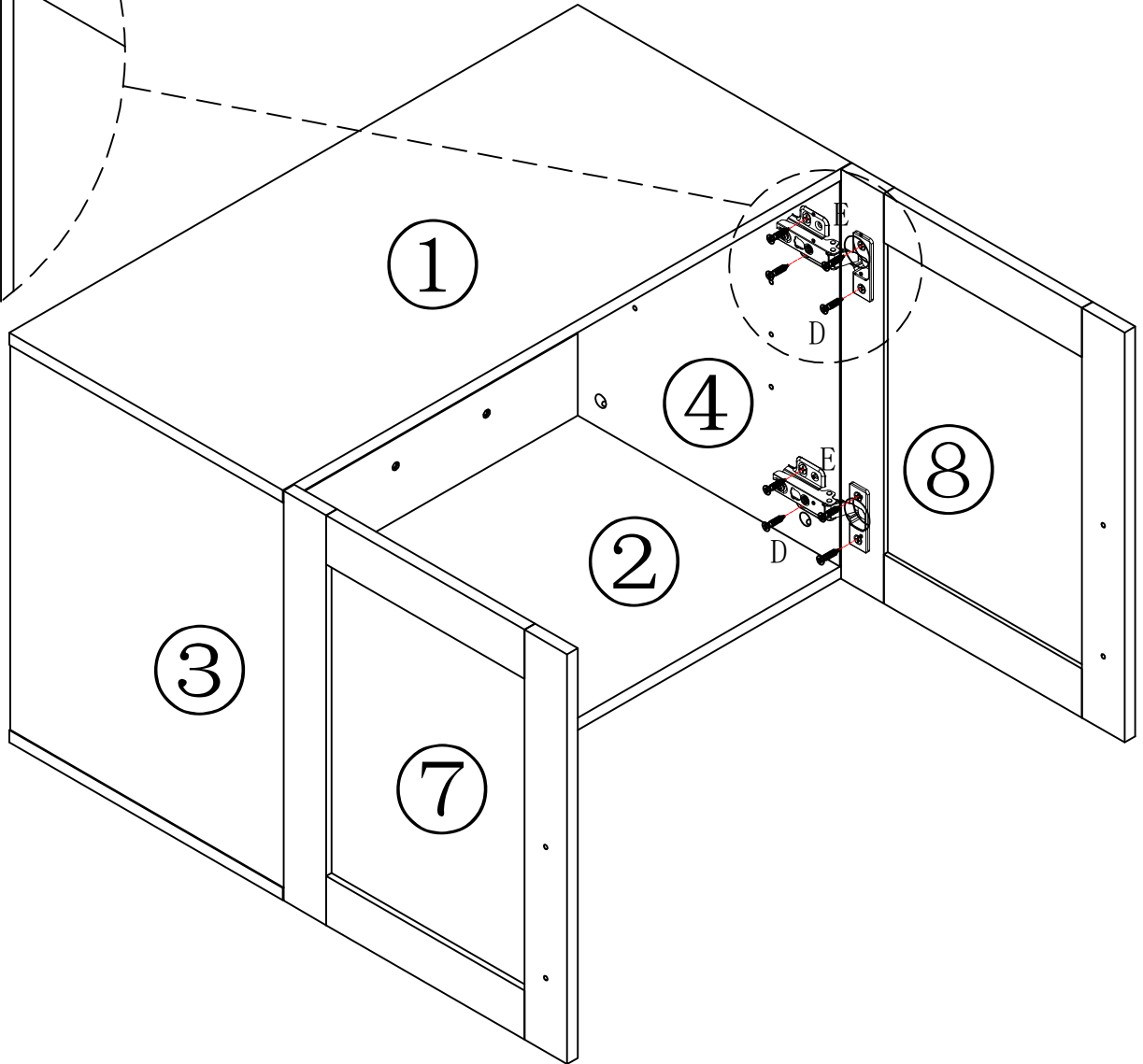
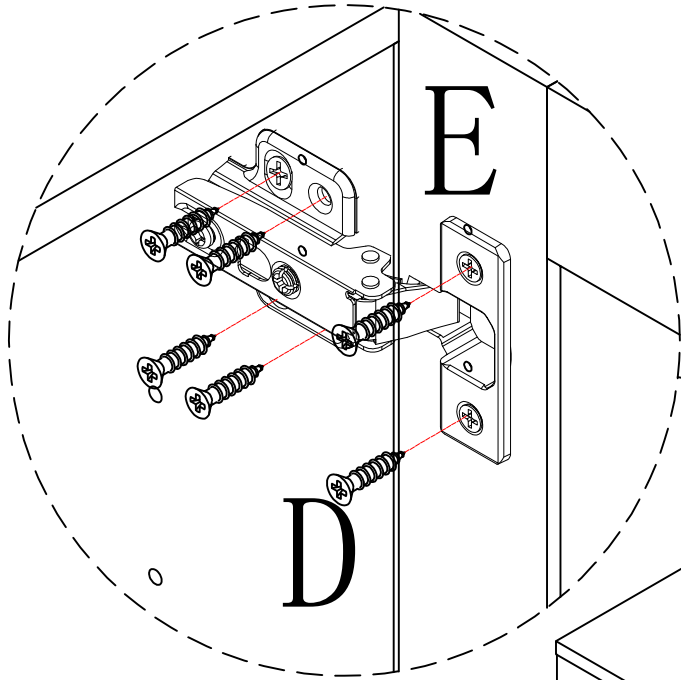


put B on board ③ ④ ⑥



B*14

5

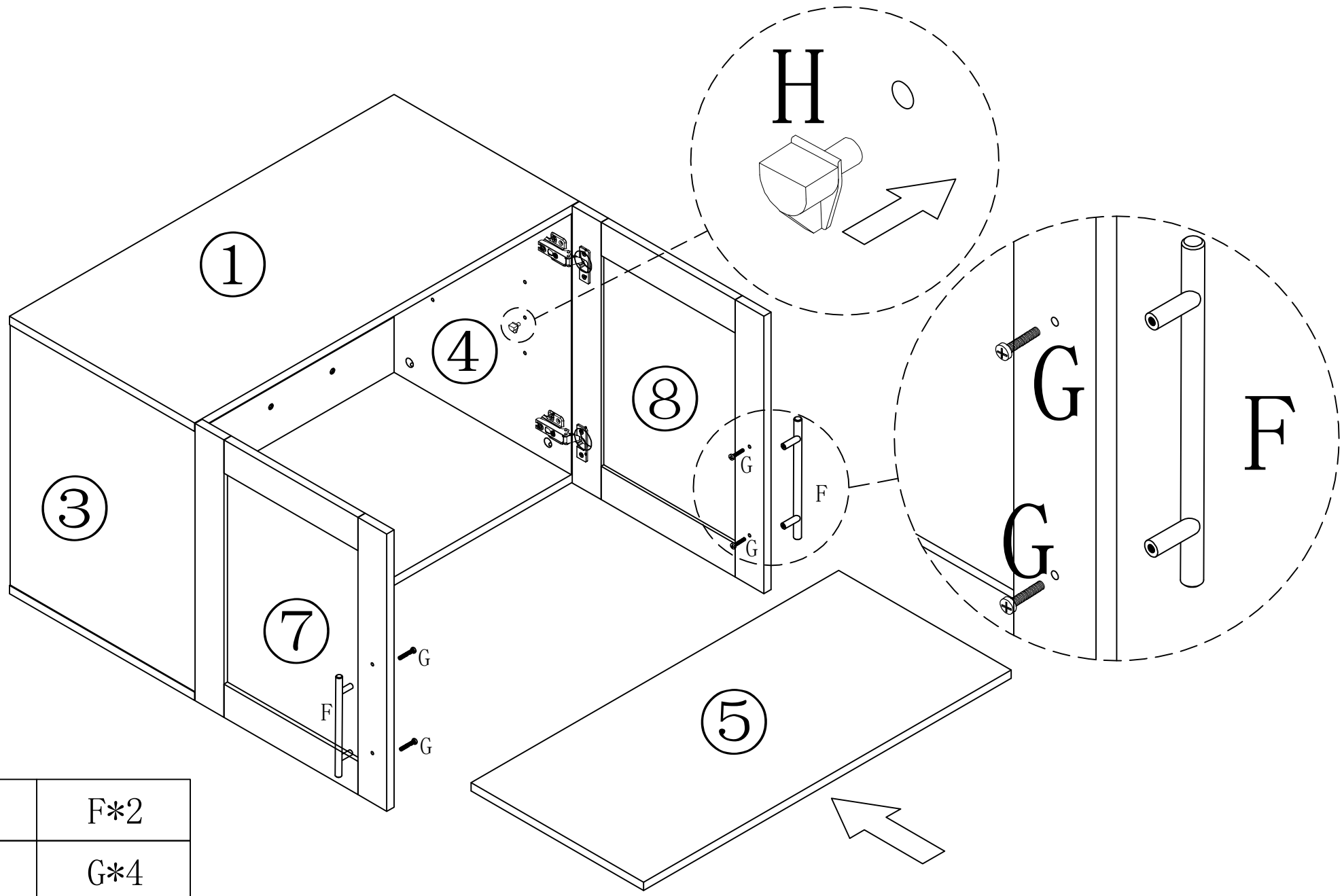


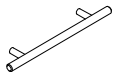

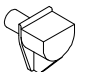
D*24



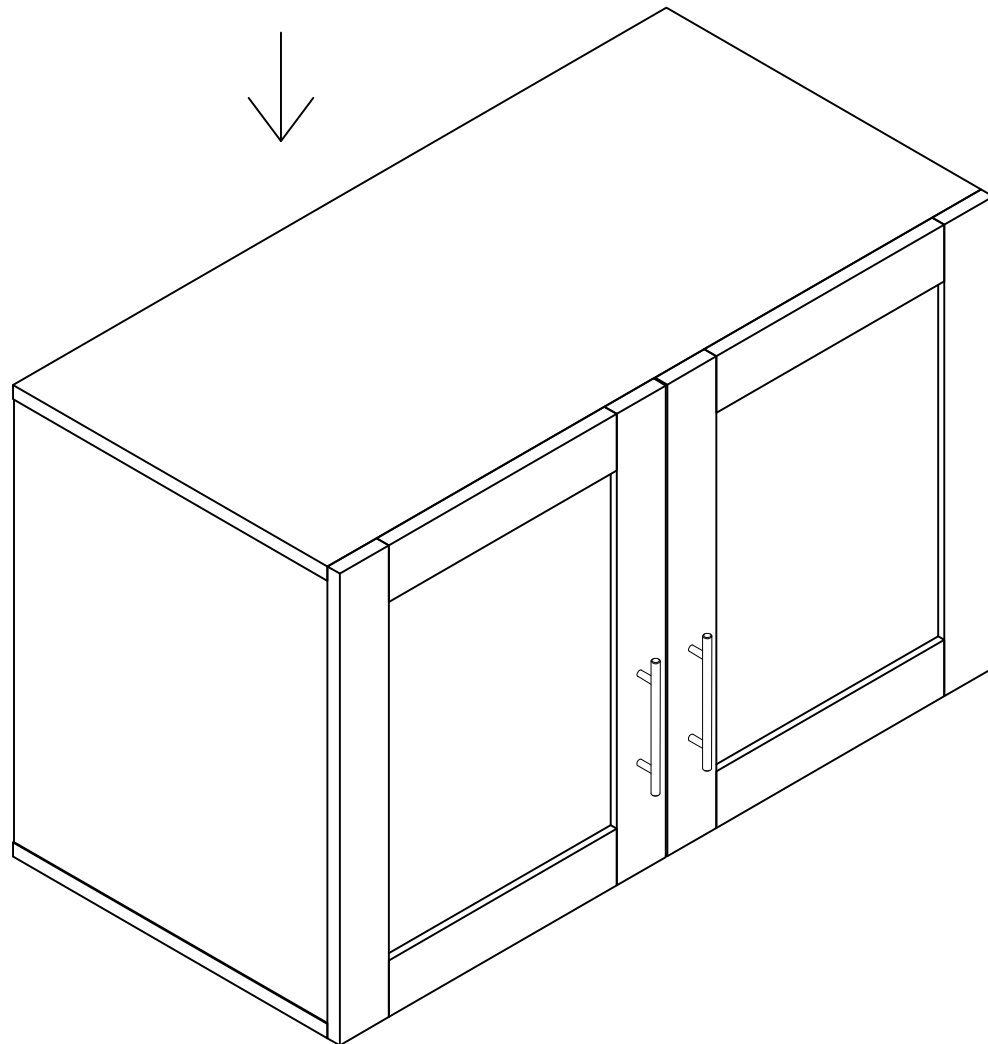
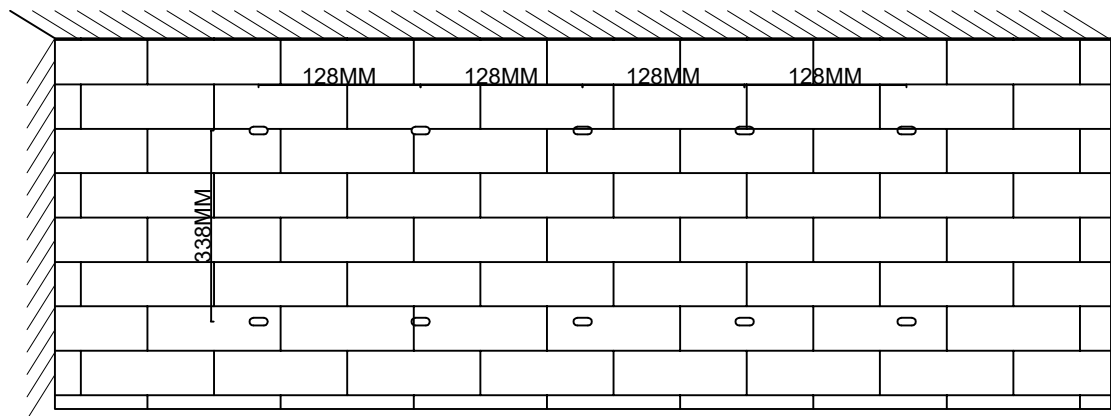
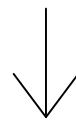
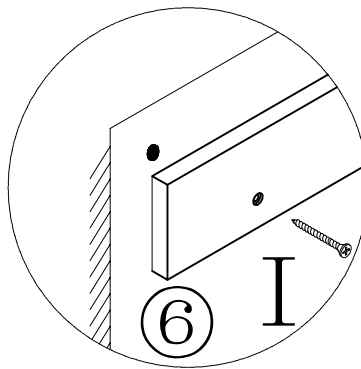
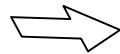
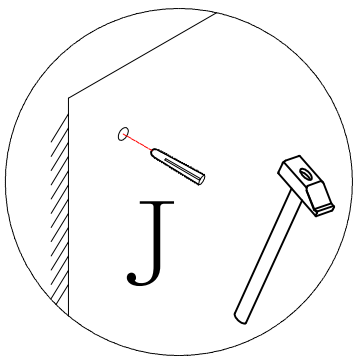
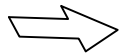
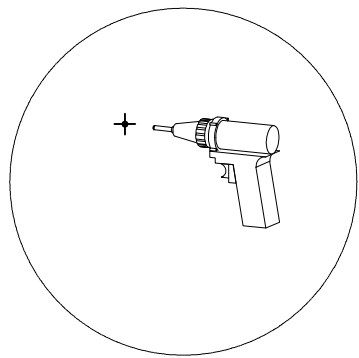
E*4

6

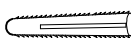


	F*2
	G*4
	H*4

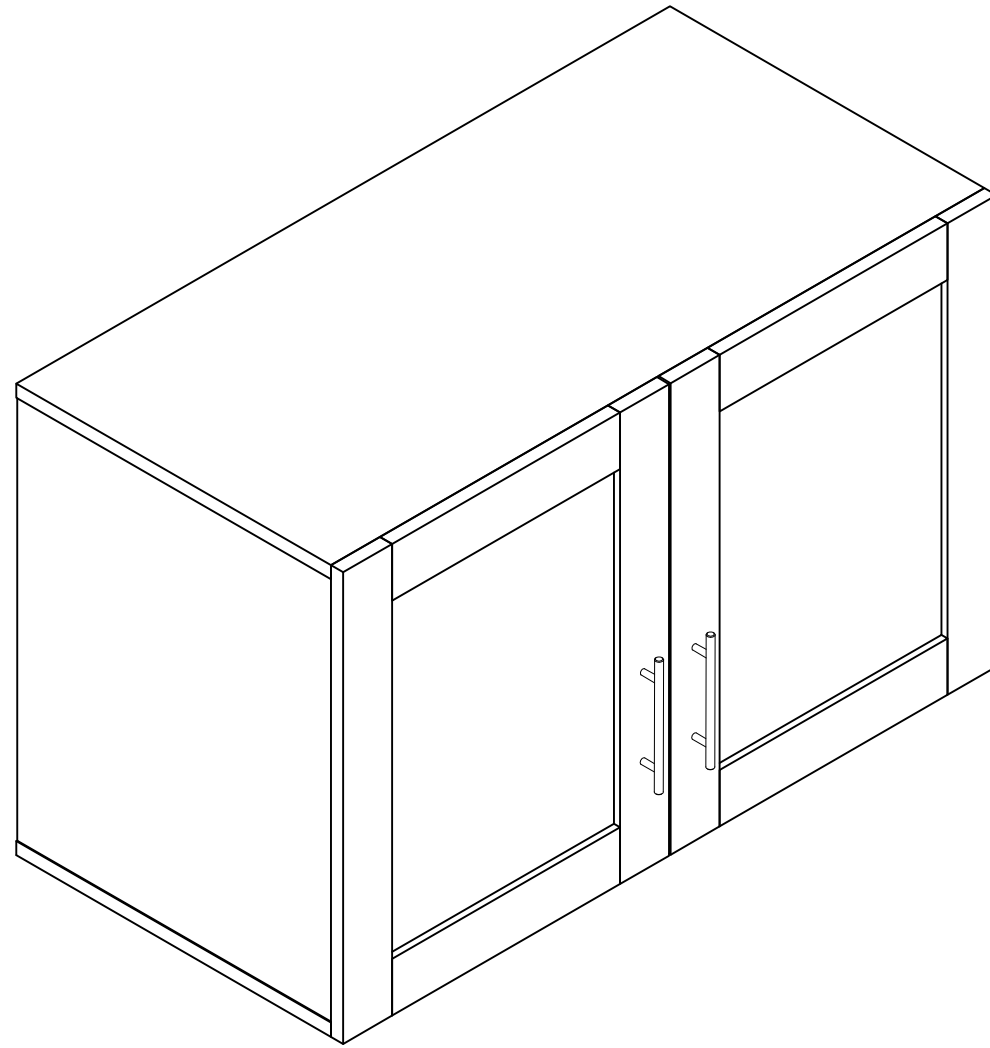
7



I*10



J*10



END