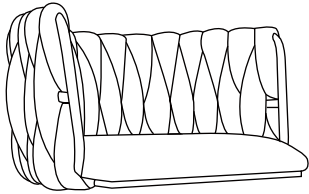
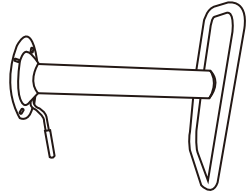


# ASSEMBLY INSTRUCTION

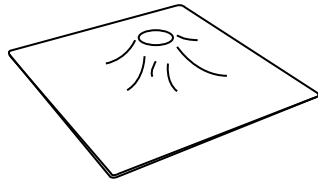
Ax1



Bx1



Cx1



Dx1



Ex4

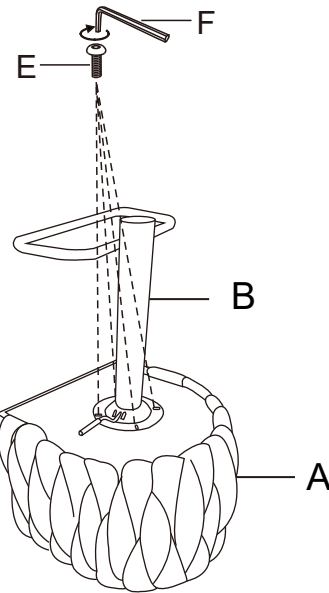


M6\*16MM

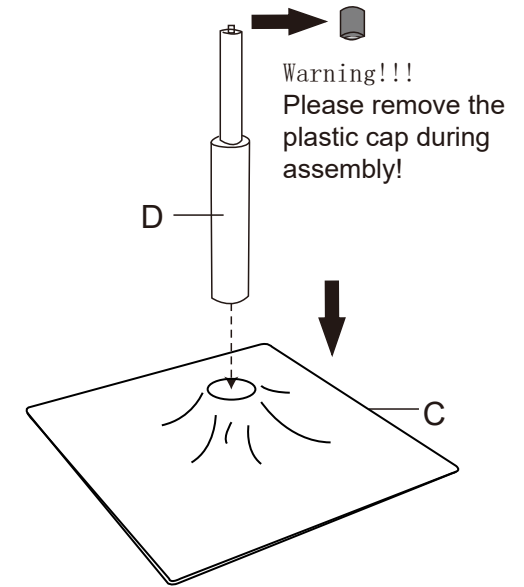
Fx1



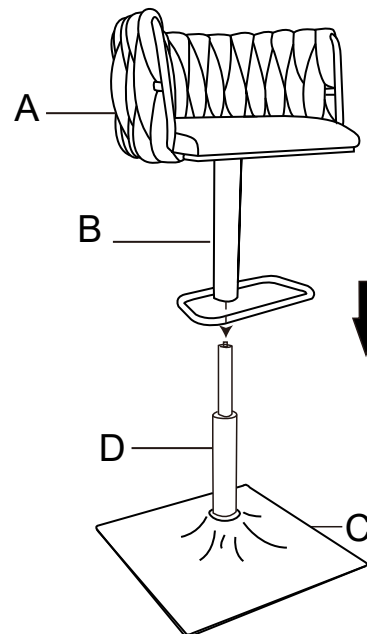
①



②



③



④

