



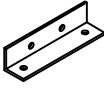



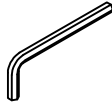
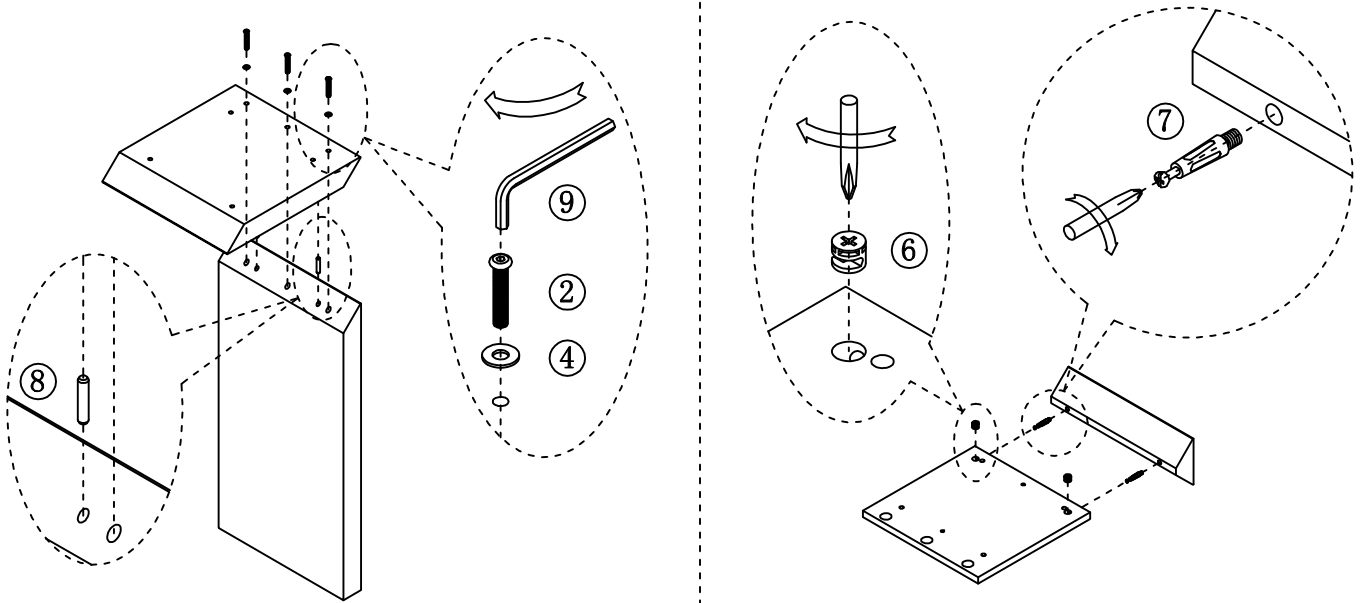


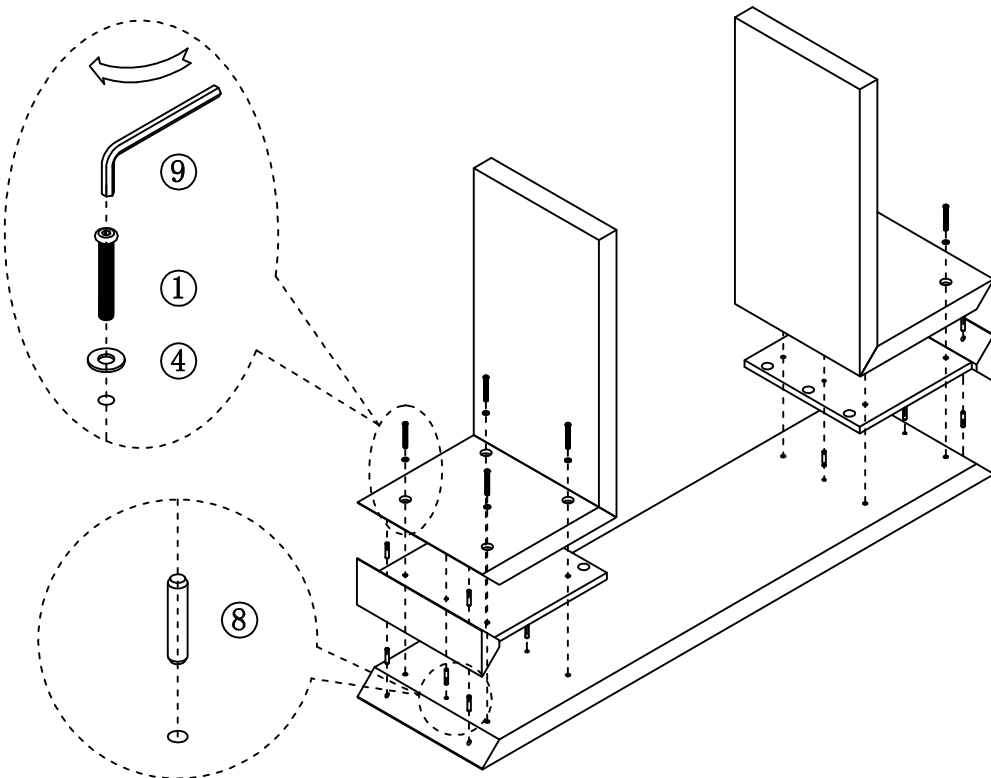
① X8  M8*90	② X6  M8*60	③ X8  M8*25	④ X22  M8	⑤ X2  168*40*40
⑥ X4  $\phi 15$	⑦ X4 	⑧ X16  $\phi 8*40$	⑨ X1  5#	

step1

step2

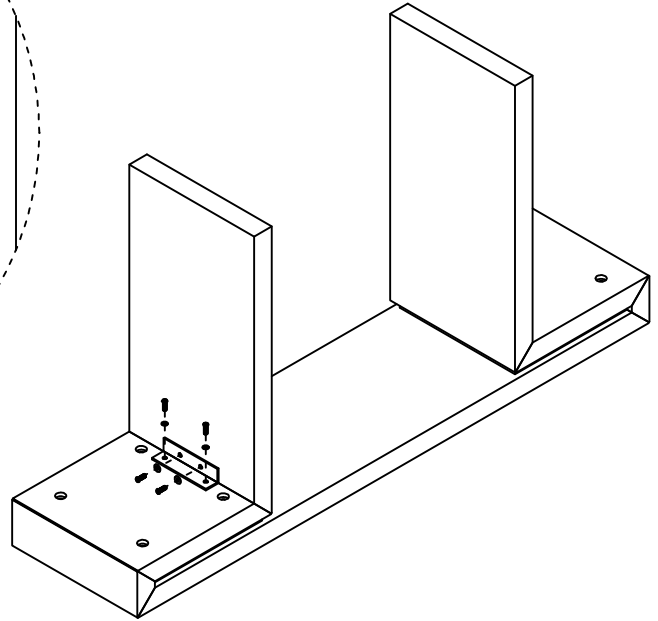
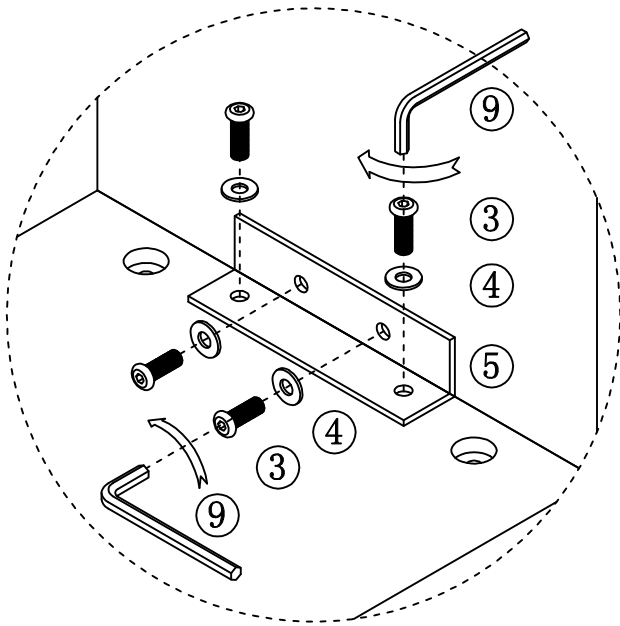


step3



C868

step4



finish

