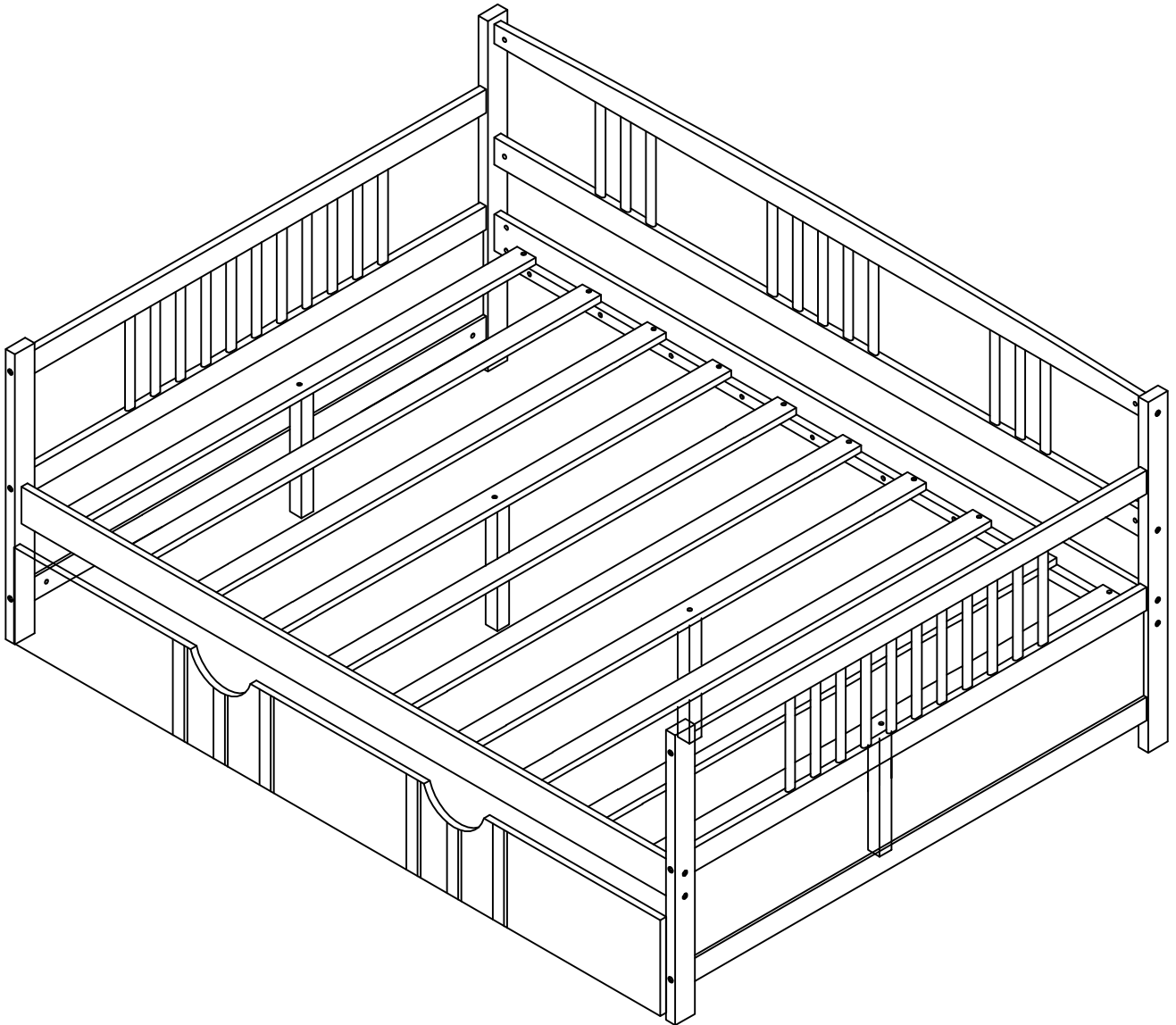
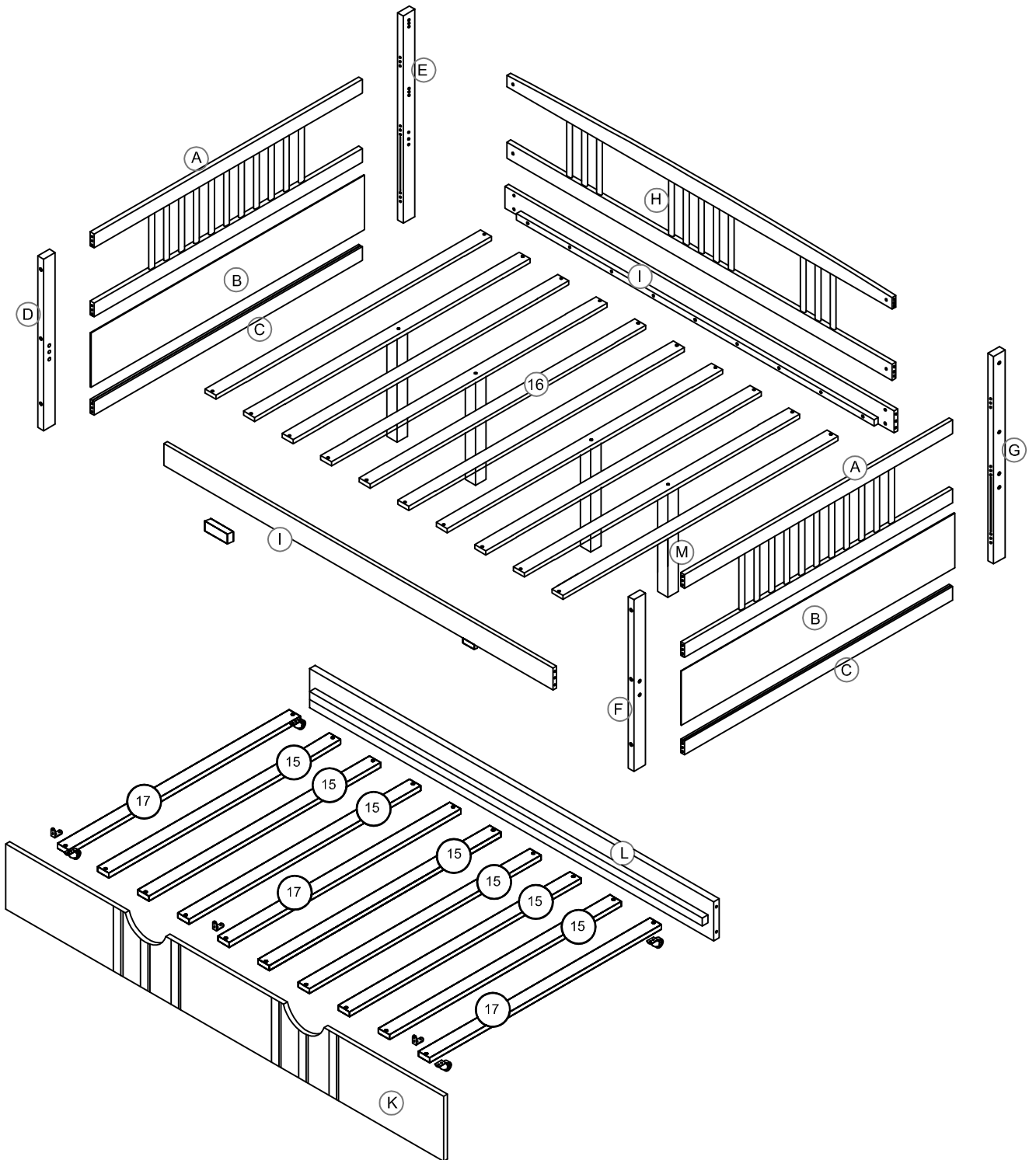


# ASSEMBLY INSTRUCTIONS

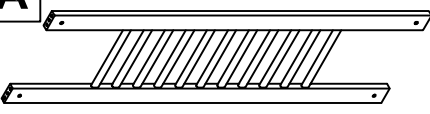



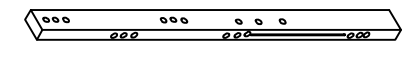
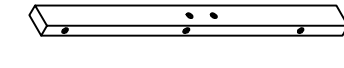
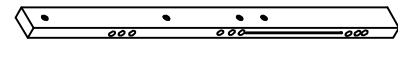
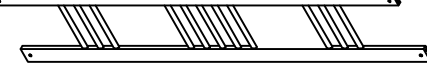

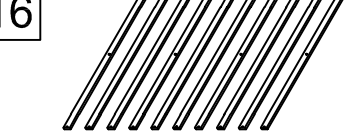

## FULL SIZE DAY BED



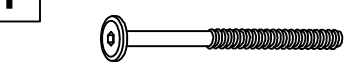
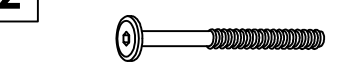










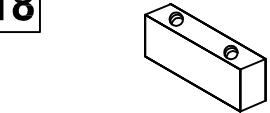
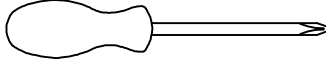
# Detail View



# Part List

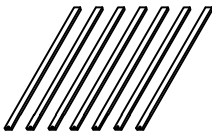


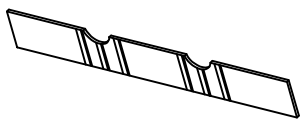
		
HB & FB - 2pcs	Side panel - 2pcs	Horizontal bar - 2pcs
		
Leg left (Front) - 1pc	Leg left (Back) - 1pc	Leg right (Front) - 1pc
		
Leg right (Back) - 1pc	Guard rail(Back)-1pc	Side rail(Back & Front)-2pcs
		
Slats - 1set (10pcs)	Support slat -4pcs	

# Hardware List

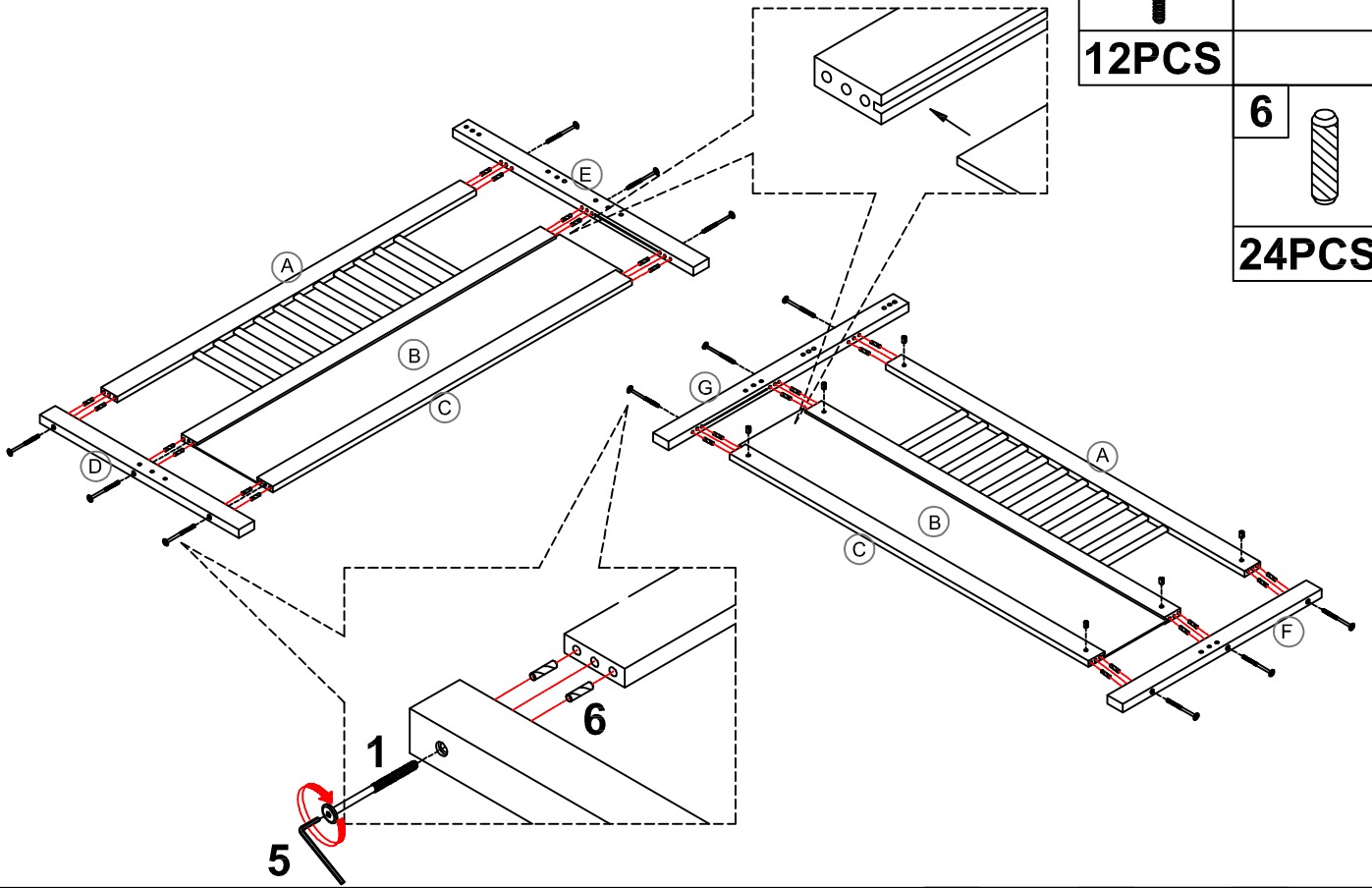
		
Hex-Head bolts (12pcs)	Hex-Head bolts (12pcs)	Horizontal-Hole bolts(12pcs)
		
Wood screws (38pcs)	Allen key (1pc)	Wood dowel (36pcs)
		
Hex-Head bolts (4pcs)	Wheels Ø32 ( 4pcs )	Wood Screws (8pcs)
		
Pass L (3pcs)	Hex-Head bolts (6pcs)	Wood Screws (12pcs)
	<p>ASSEMBLY TOOLS REQUIRED ( NOT INCLUDED )</p> 	
Wood block 2pcs		

PLEASE BE CAREFUL DO NOT DAMAGE THE HOLE POSITION WHEN YOU USE POWER TOOLS !

# Part List

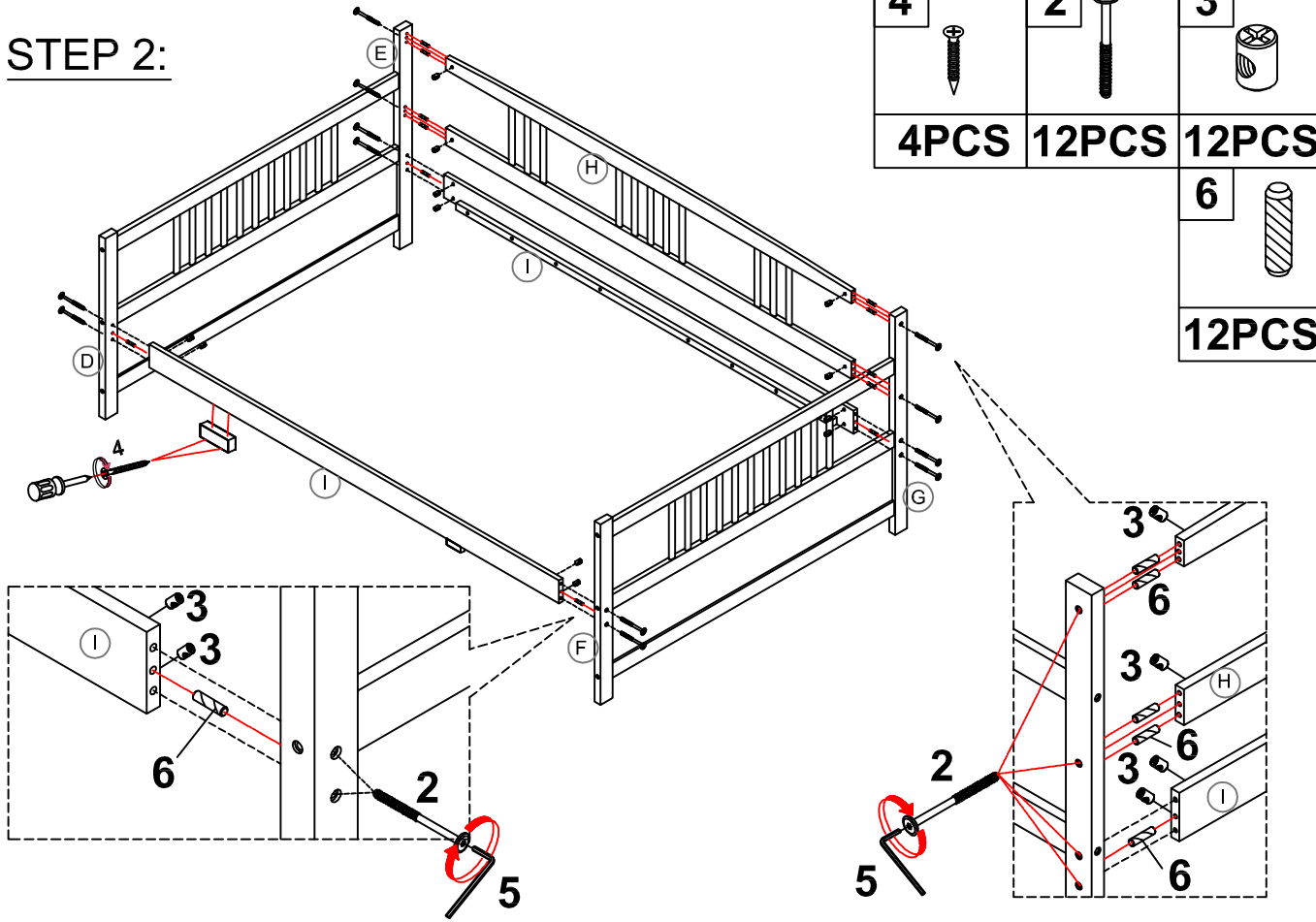
<b>15</b> 	<b>17</b> 	<b>L</b> 
Slats - 1set (7pcs)	Slats - 1set (3pcs)	Trundle back - 1pc
		<b>K</b> 
		Trundle front - 1pc

**STEP 1:**






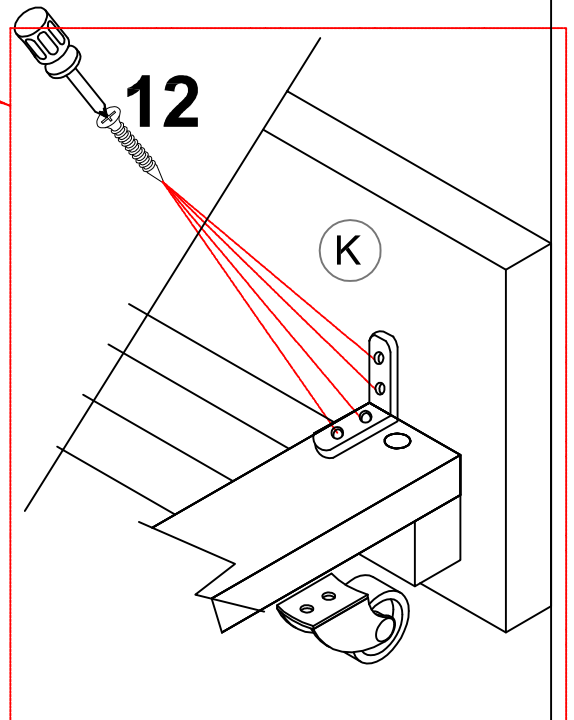
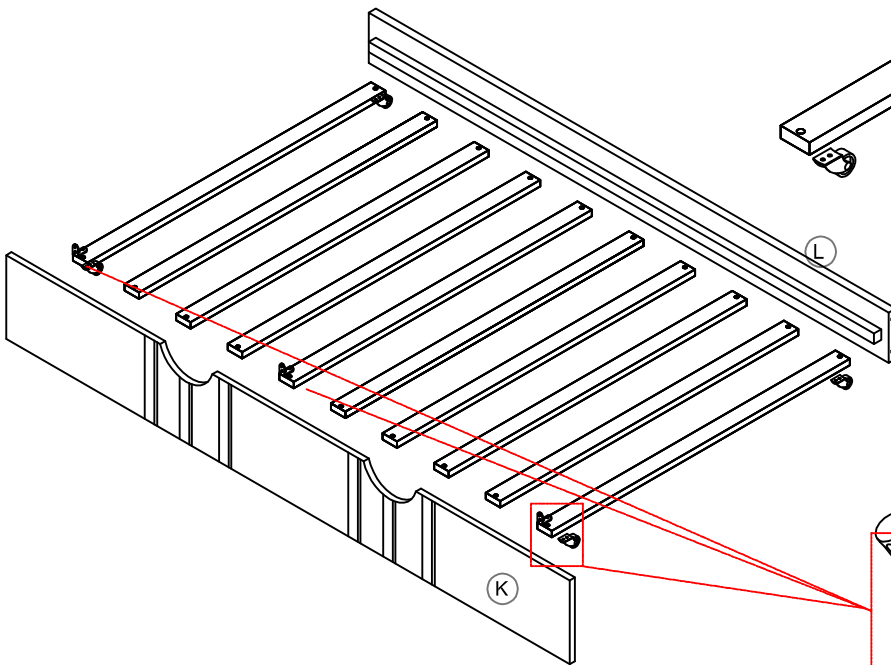
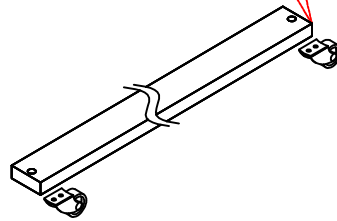
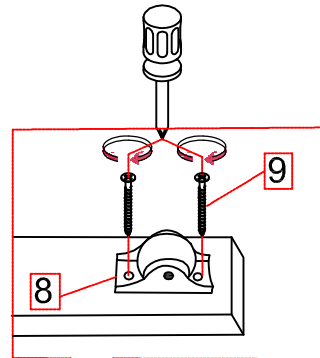
1		
12PCS		
6		
24PCS		

**STEP 2:**

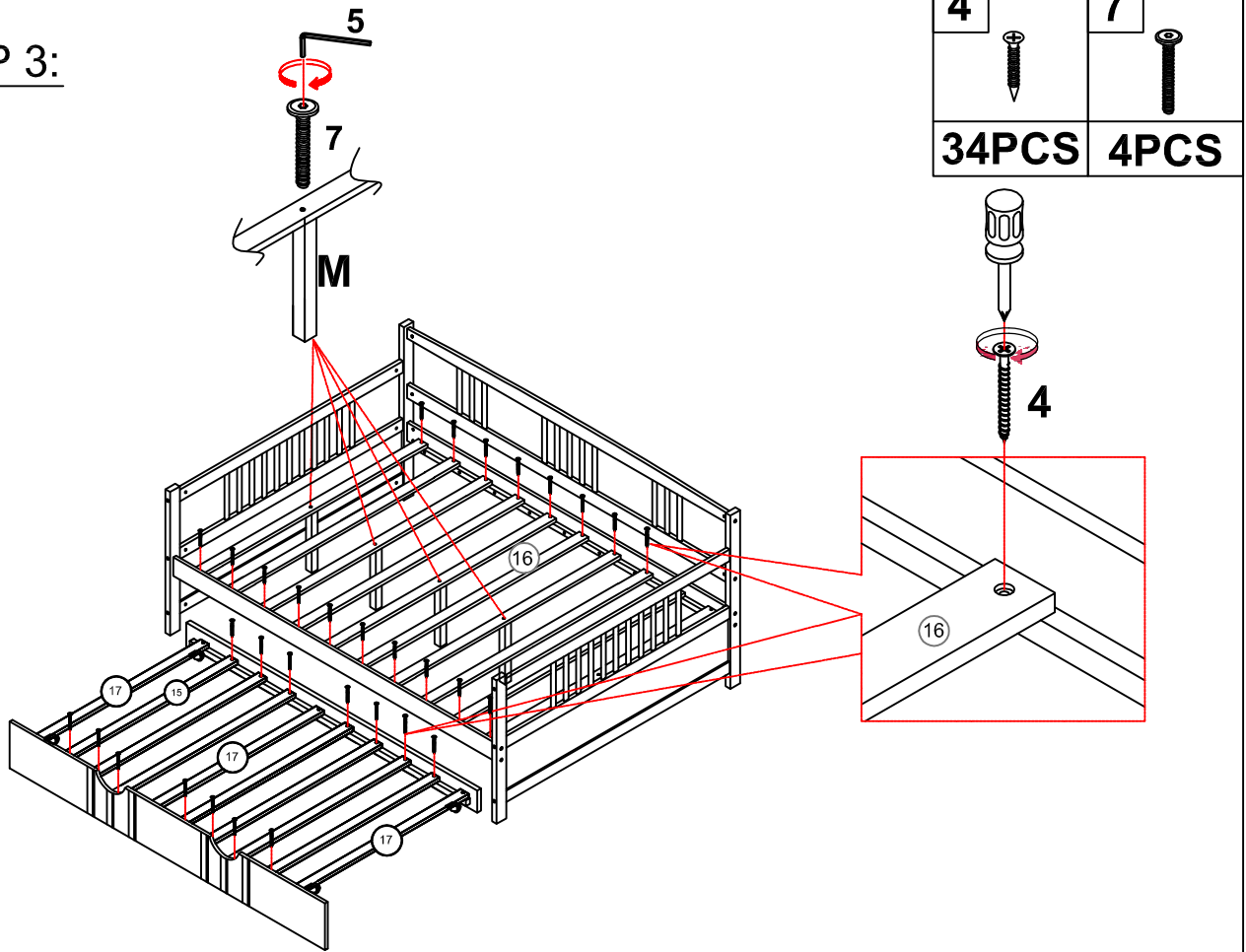


4		2		3	
4PCS		12PCS		12PCS	
				6	
				12PCS	

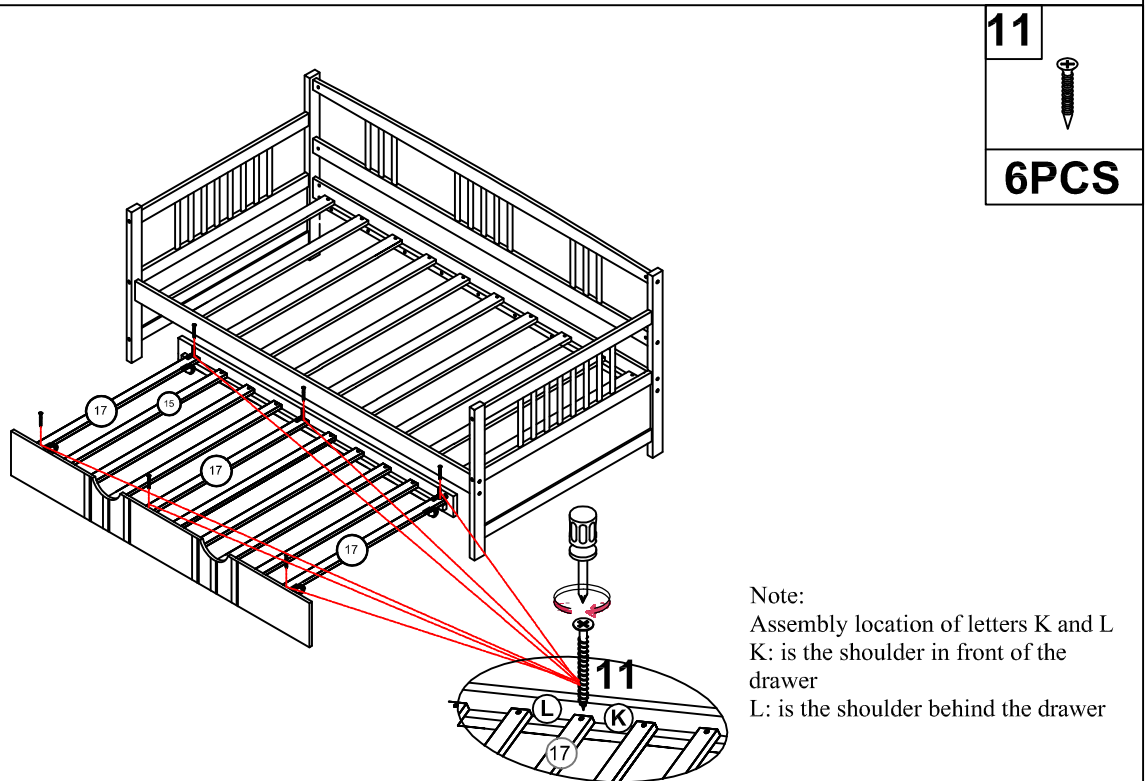
9		8		12	
<b>8PCS</b>		<b>4PCS</b>		<b>12PCS</b>	



**STEP 3:**



**STEP 4:**



Note:  
Assembly location of letters K and L  
K: is the shoulder in front of the  
drawer  
L: is the shoulder behind the drawer