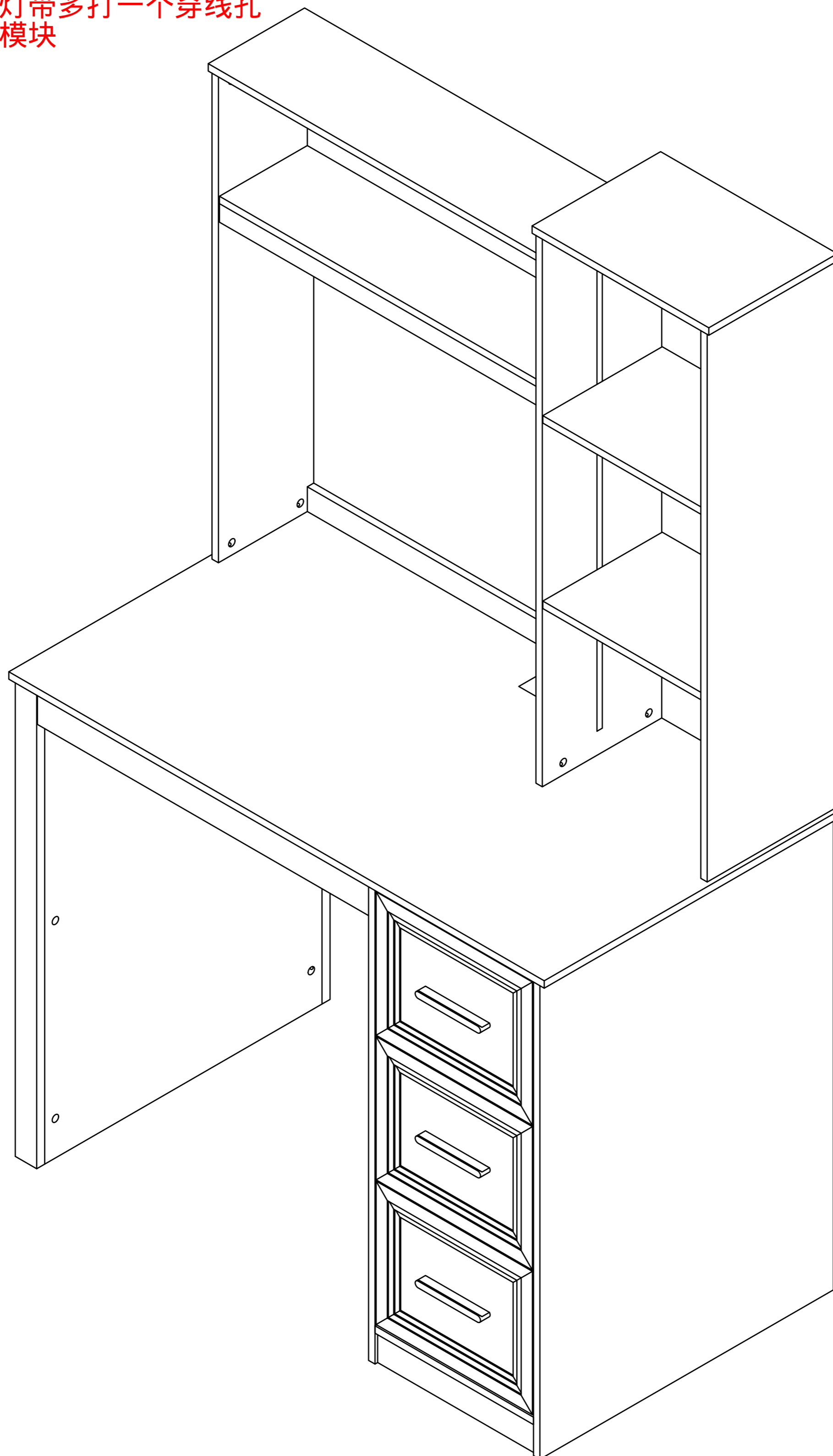
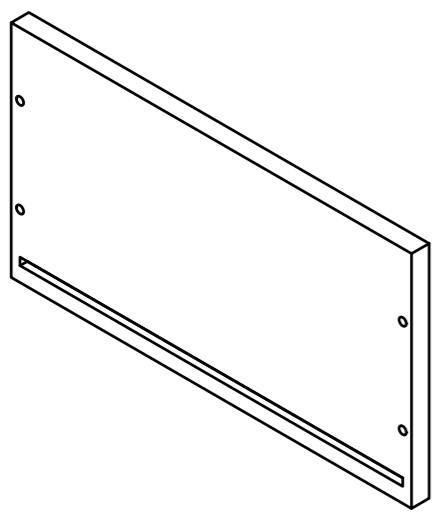


86010 Product Installation Instructions

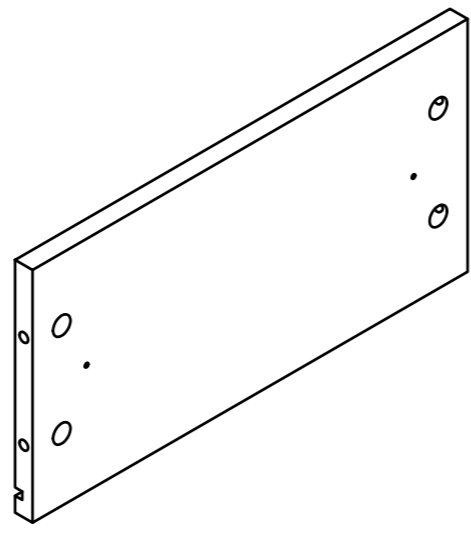
SY-442+451单 86010-YY3018+YY2990合同

1. 9+10号板 改外侧装 (之前内侧)
2. 背板27号板-灯带多打一个穿线孔
3. A21模块改27模块

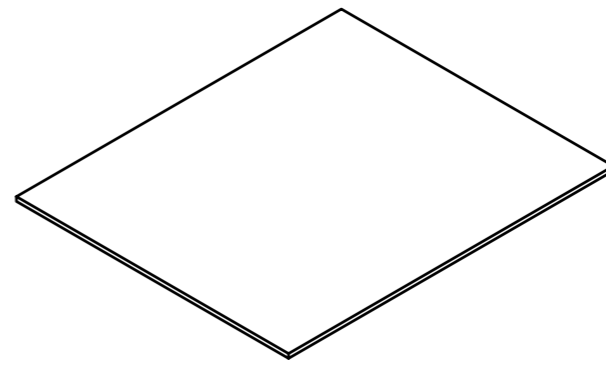




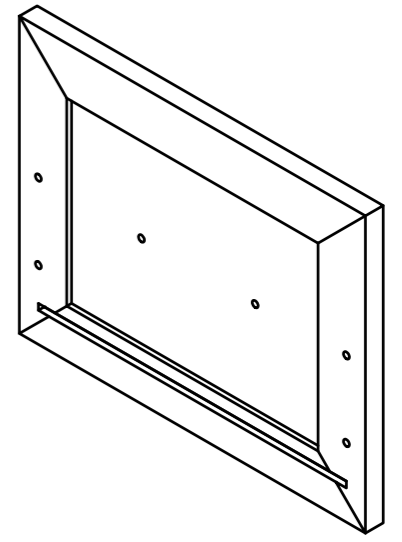
1x3



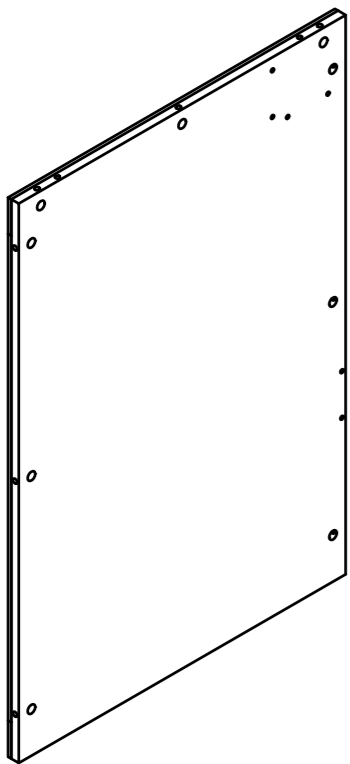
2x6



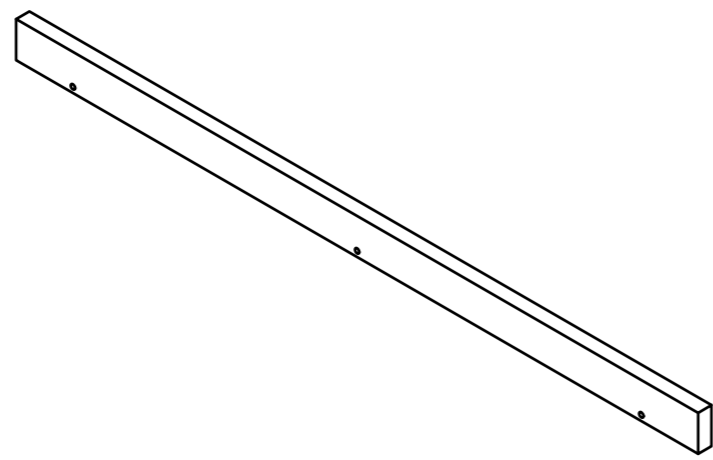
3x3



4x3



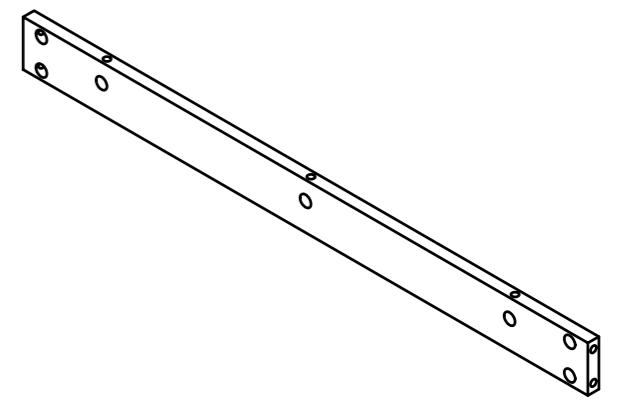
5x1



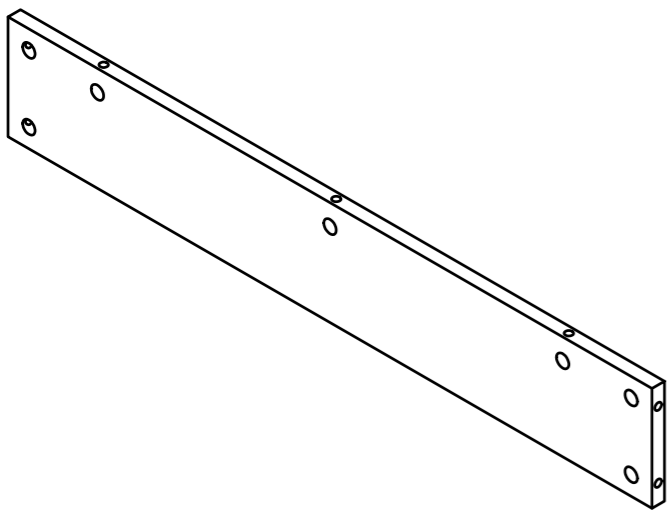
6x1



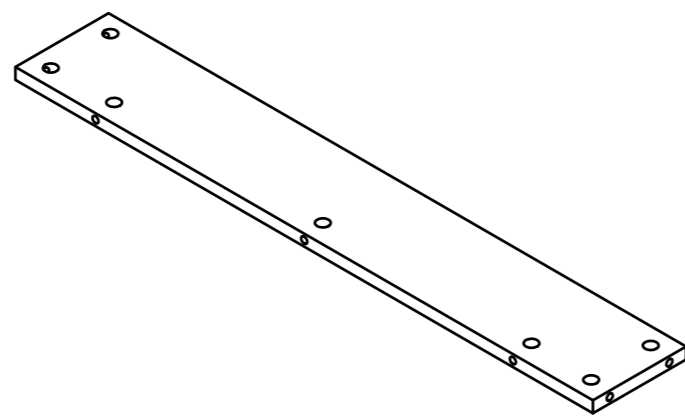
7x1



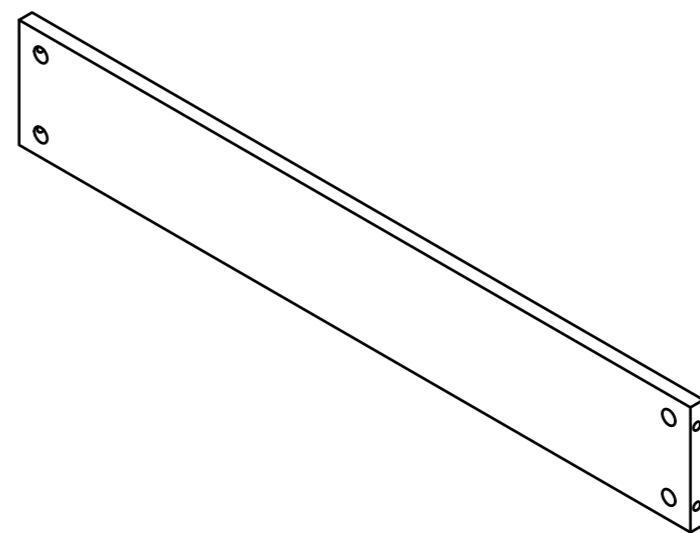
8x1



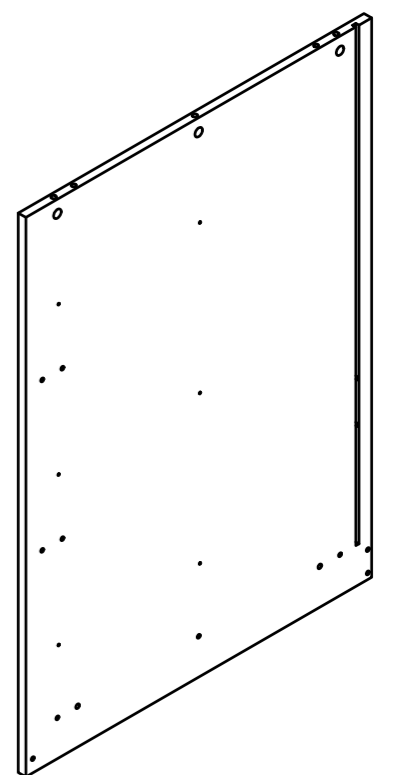
9x1



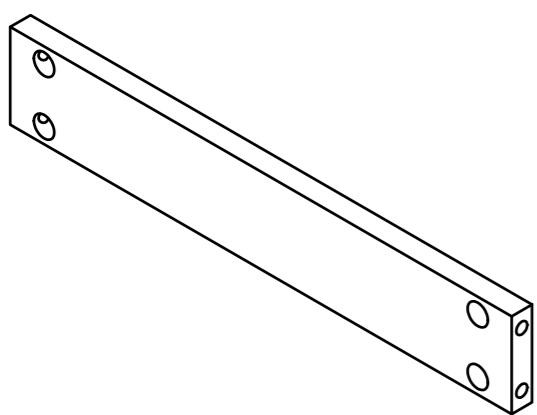
10x1



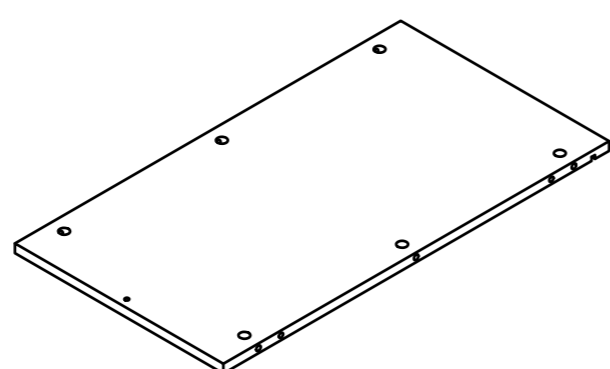
11x1



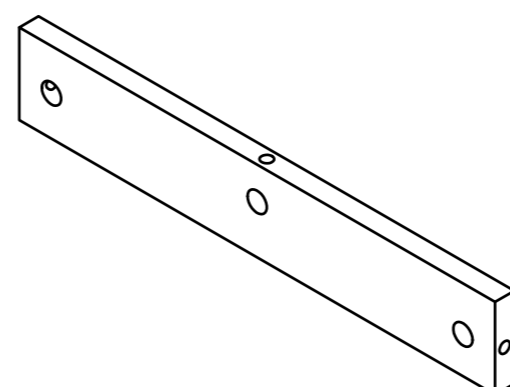
12x1



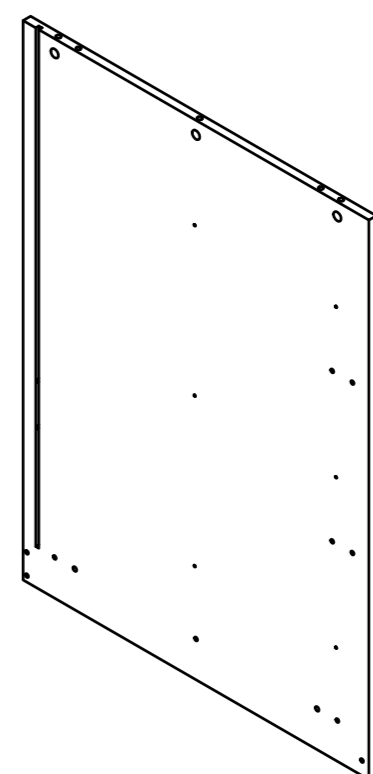
13x2



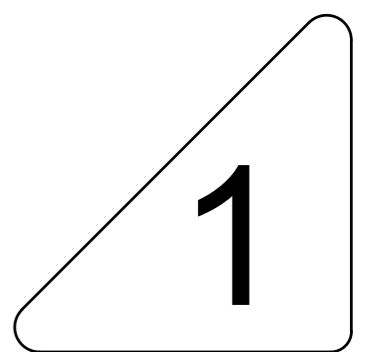
14x1



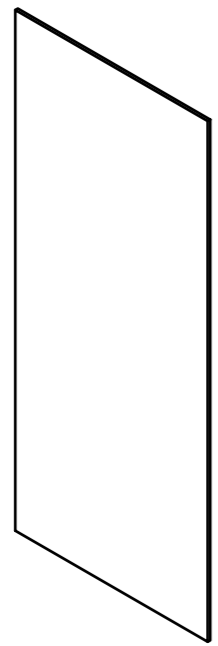
15x1



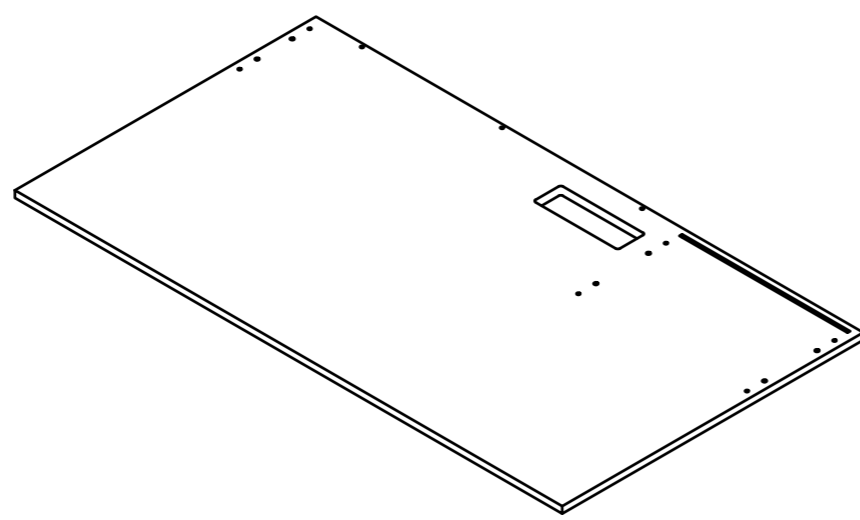
16x1



1



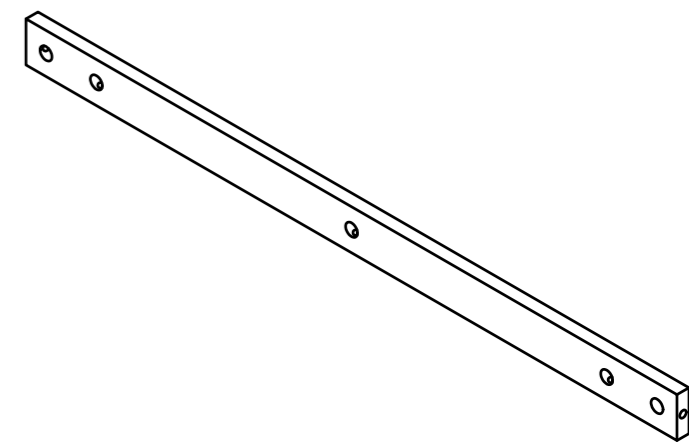
17x1



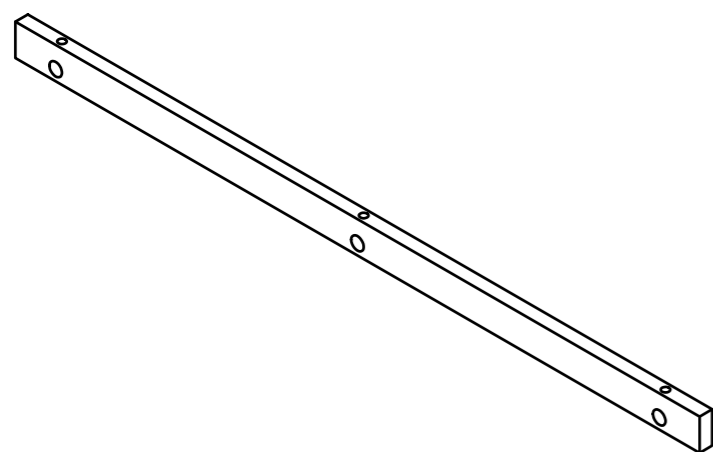
18x1



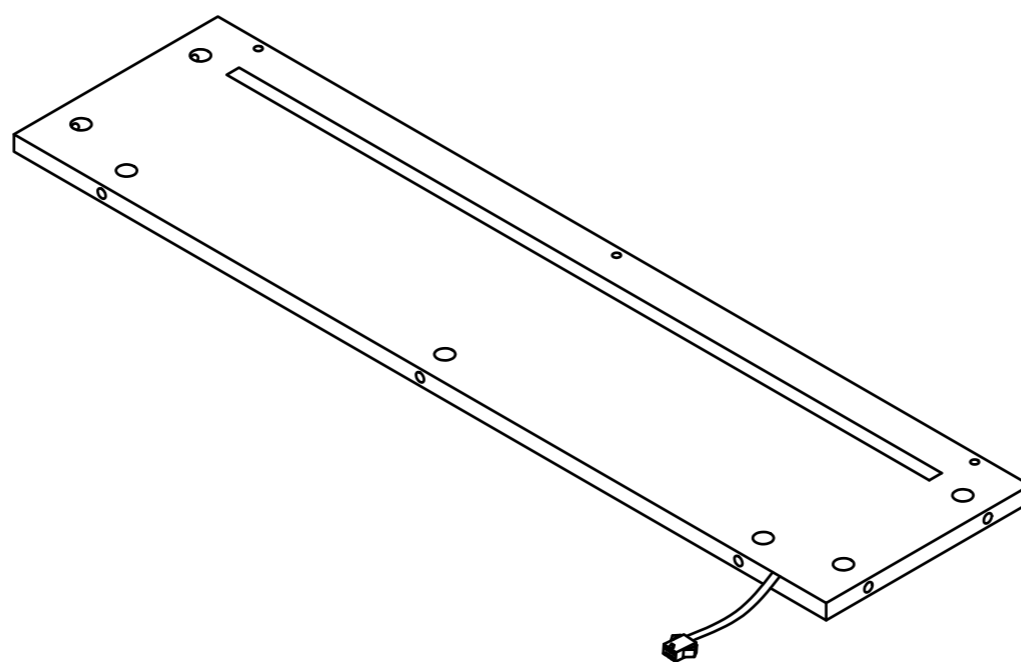
19x1



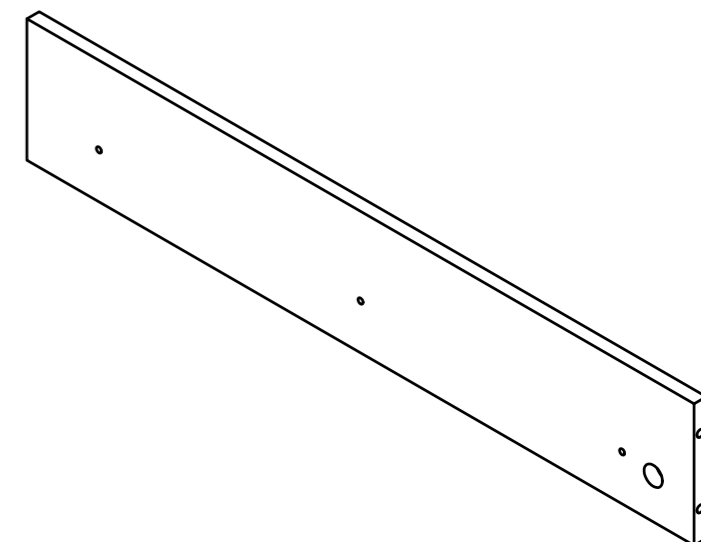
20x1



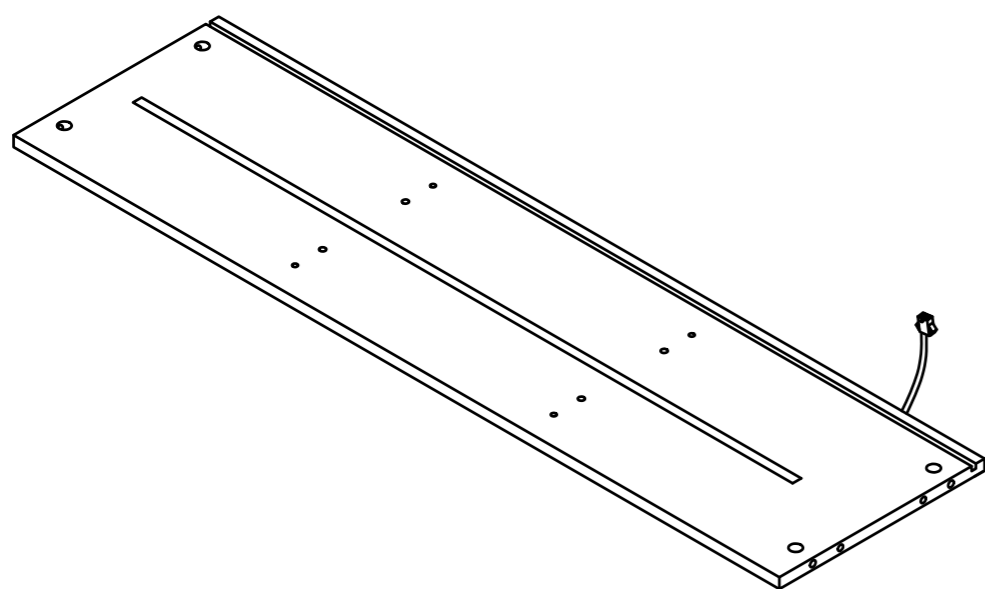
21x1



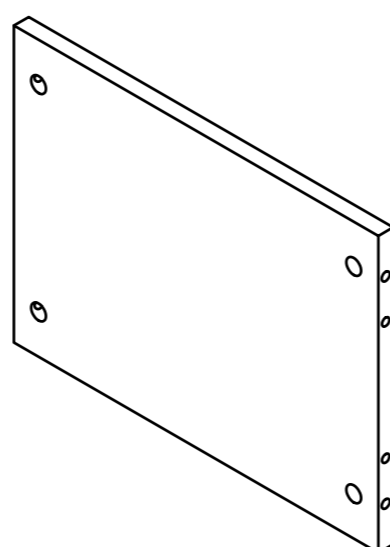
22x1



23x1



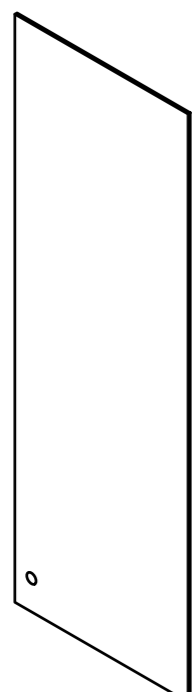
24x1



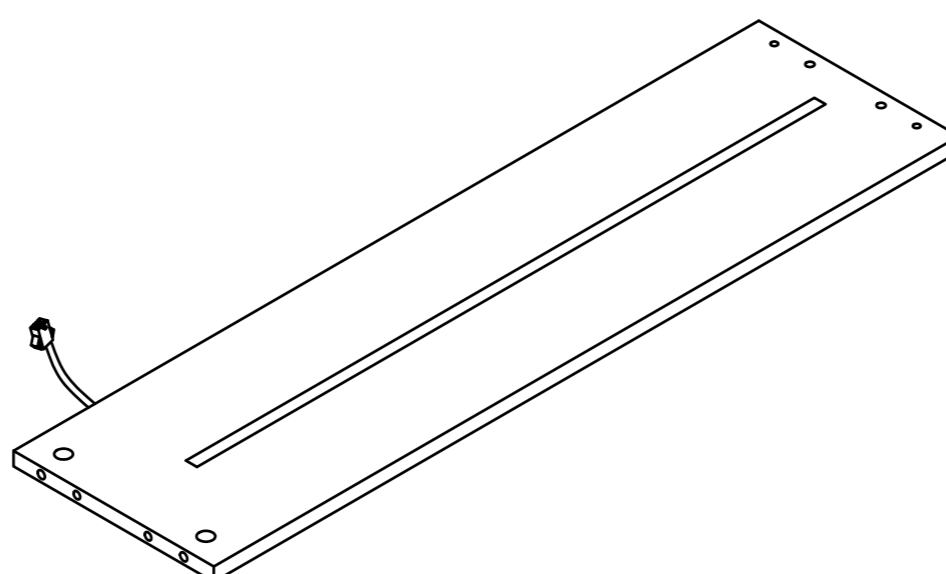
25x2



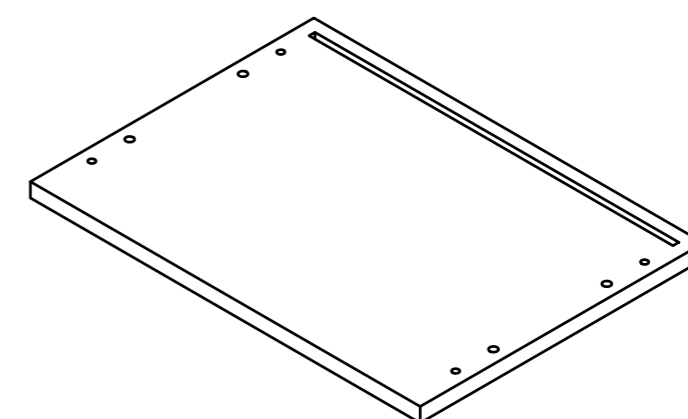
26x1



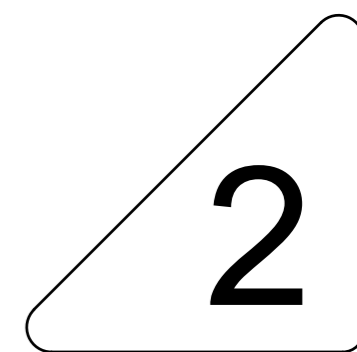
27x1



28x1



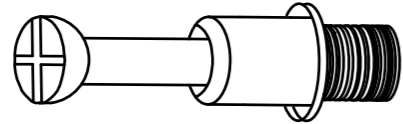


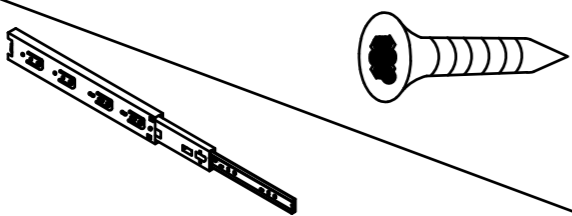

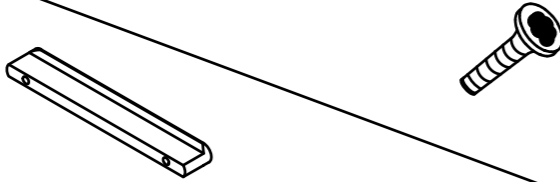
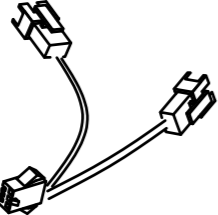
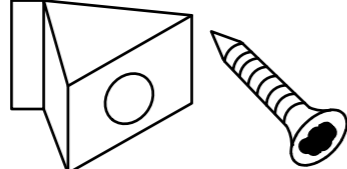

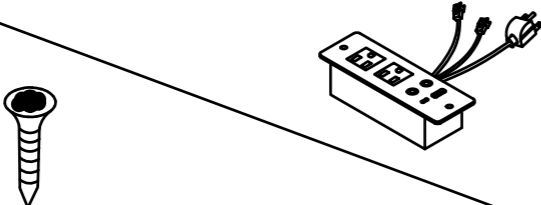
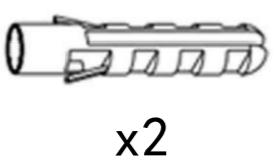

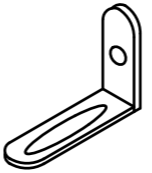


29x1



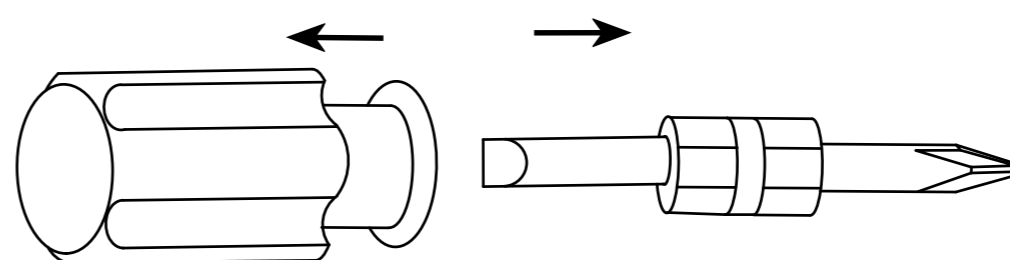
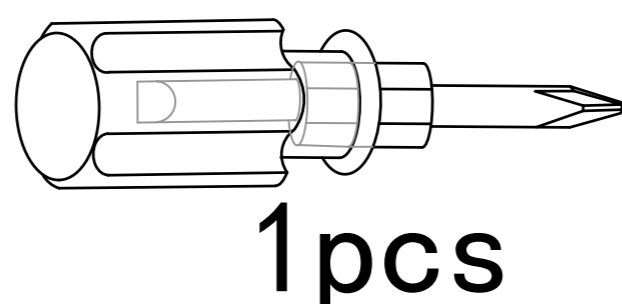
2

SY

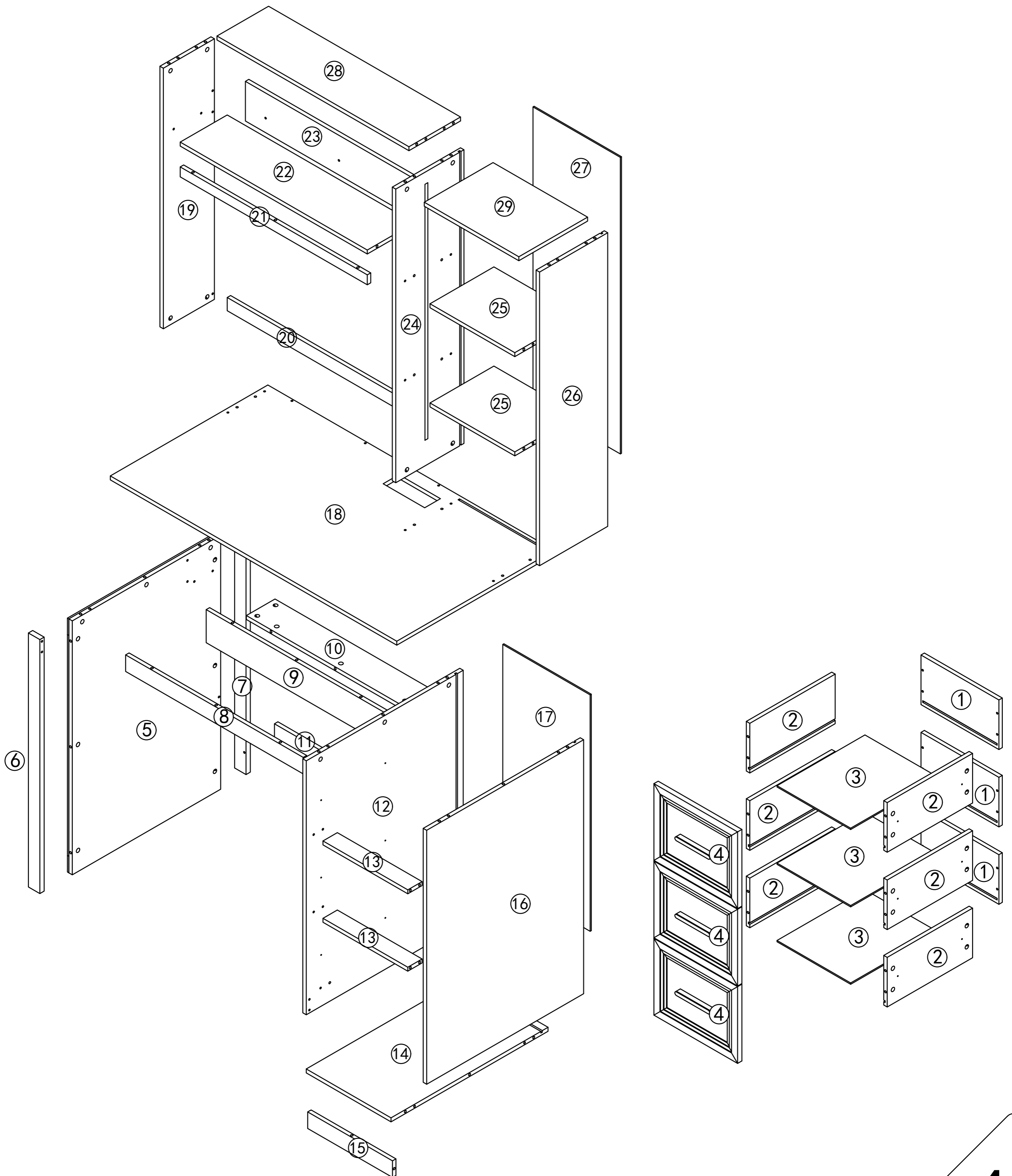
Accessories list

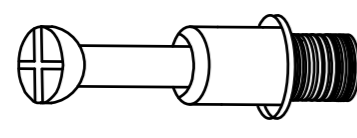

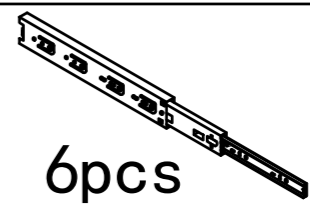
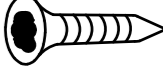
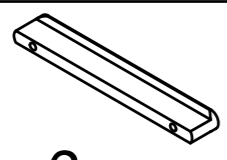

A		Two in one screw (6x28mm)	122pcs +6pcs
B		Two in one nut (10x12mm)	122pcs +6pcs
C		Wood chipping (6x30mm)	32pcs +4pcs
D		Guide & Screw(29cm) (3x12mm)	30pcs +6pcs 6pcs
E		Non-slip pads	9pcs +2pcs
F		Handle & screw (4x8mm)	6pcs +2pcs 3pcs
G		Double end connecting line	1pcs
H		Fixing clip & screw (3x16mm)	12pcs +1pcs
I		Wire Clamp	2pcs +2pcs
J		Power Socket & Screw (3x10mm)	1pcs 2pcs
K		 x4  x2  (3.5x14mm) x2  x2 (4x45mm)	

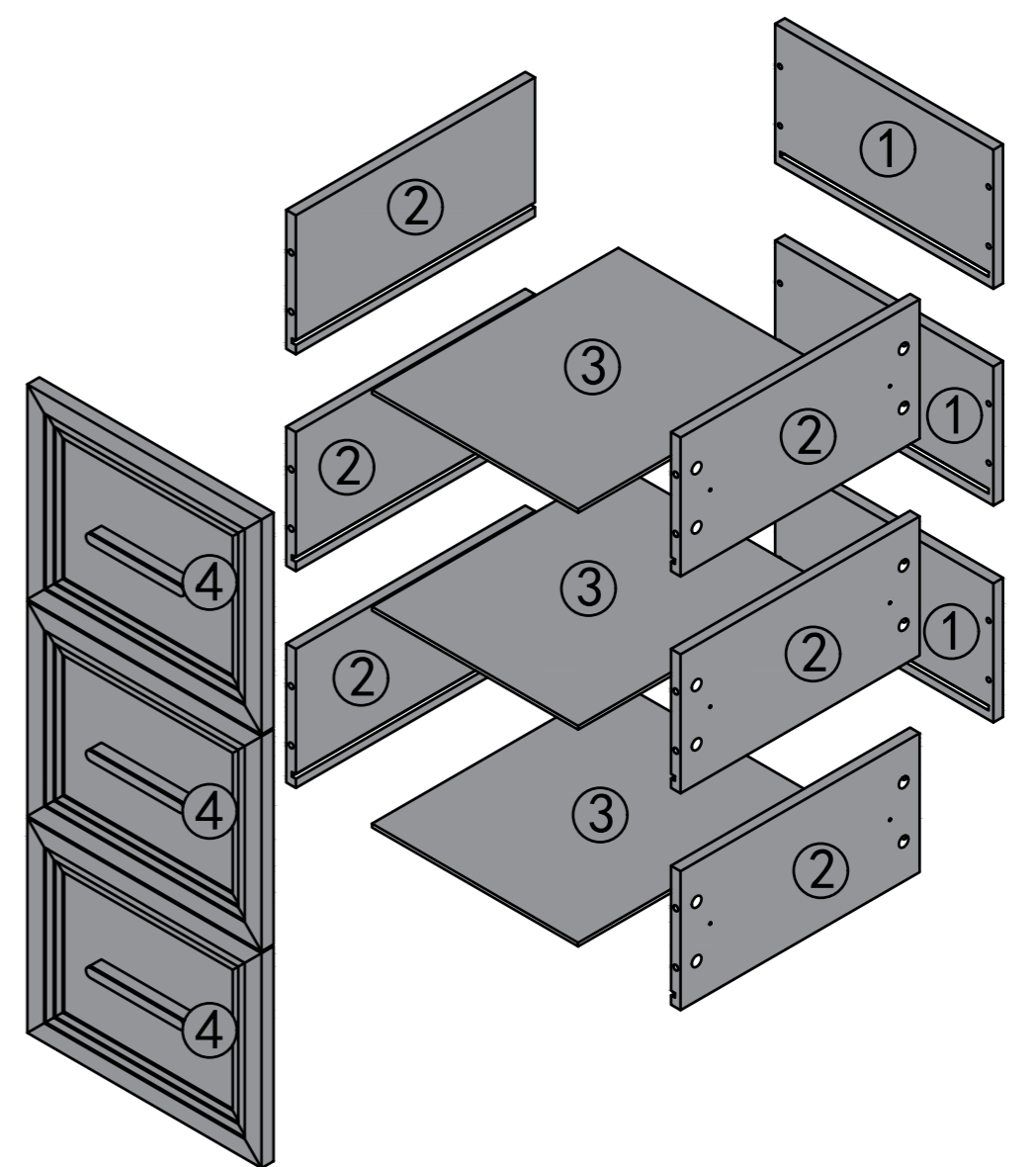
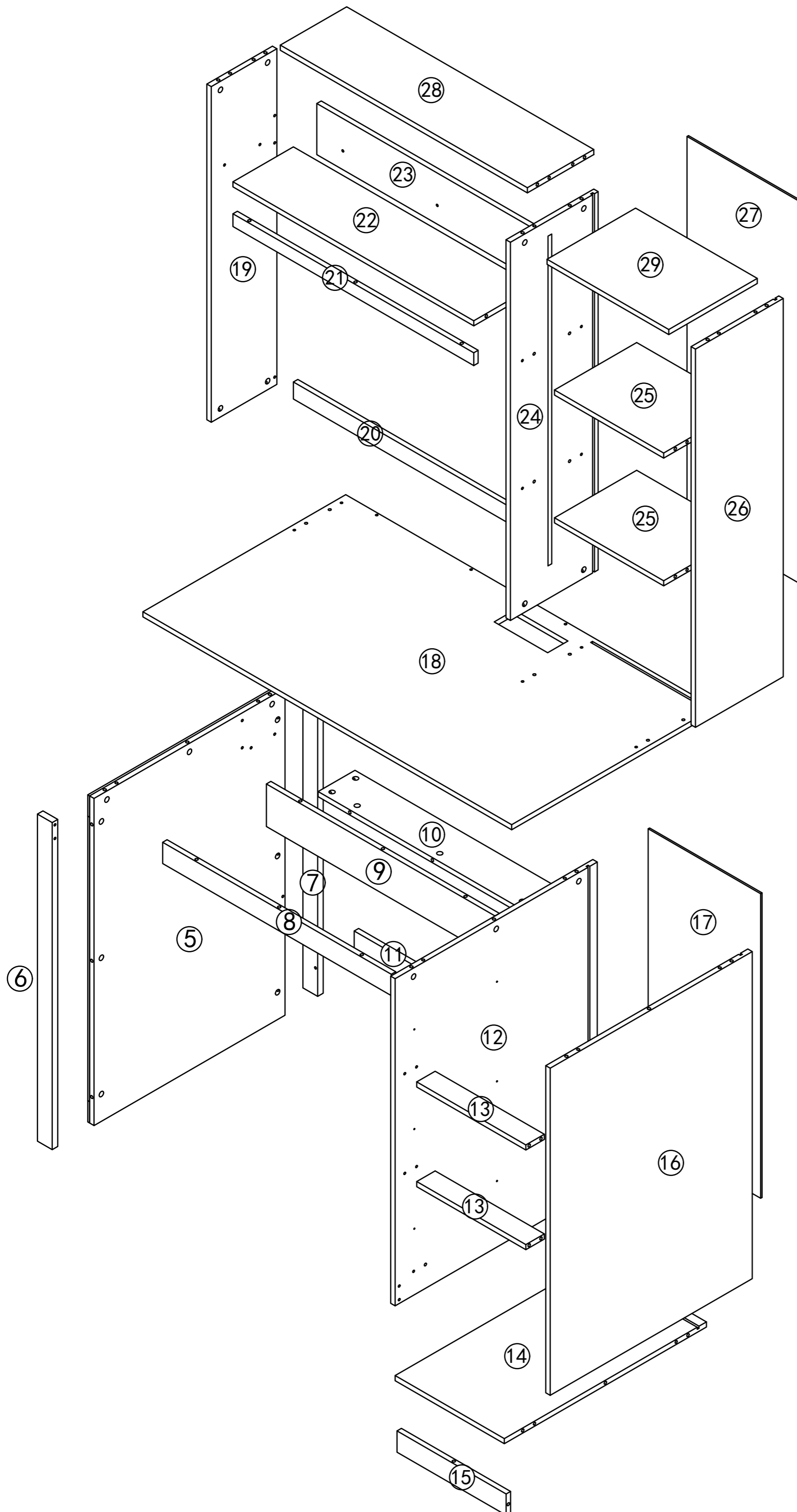
Double-head screwdriver, use as required



Product structure decomposition



A		24pcs	B		24pcs	D		6pcs		12pcs
F		3pcs		6pcs						

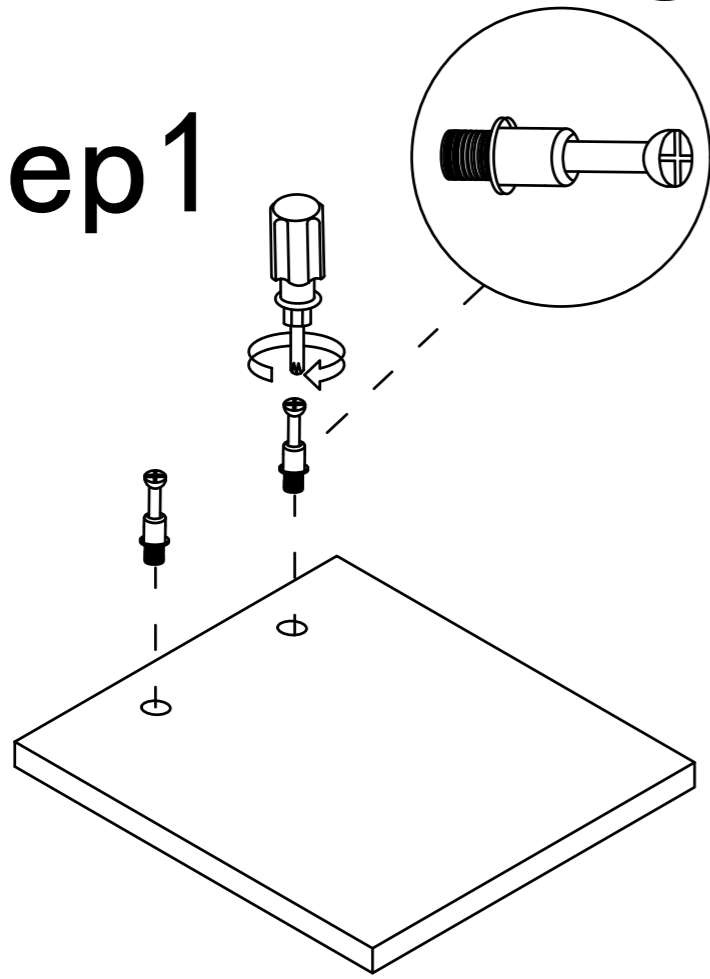


5

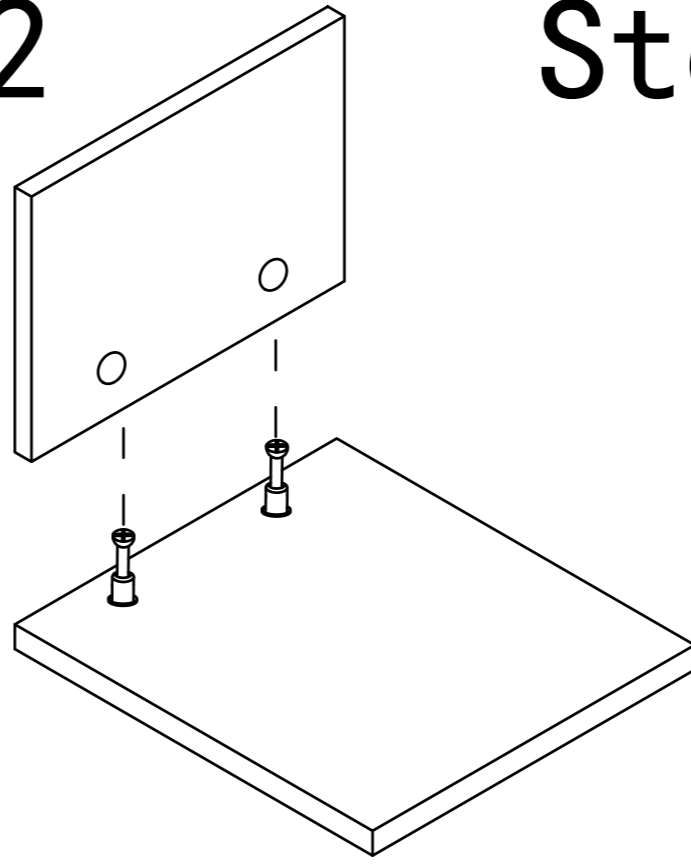
SY

Use parts ① and ②

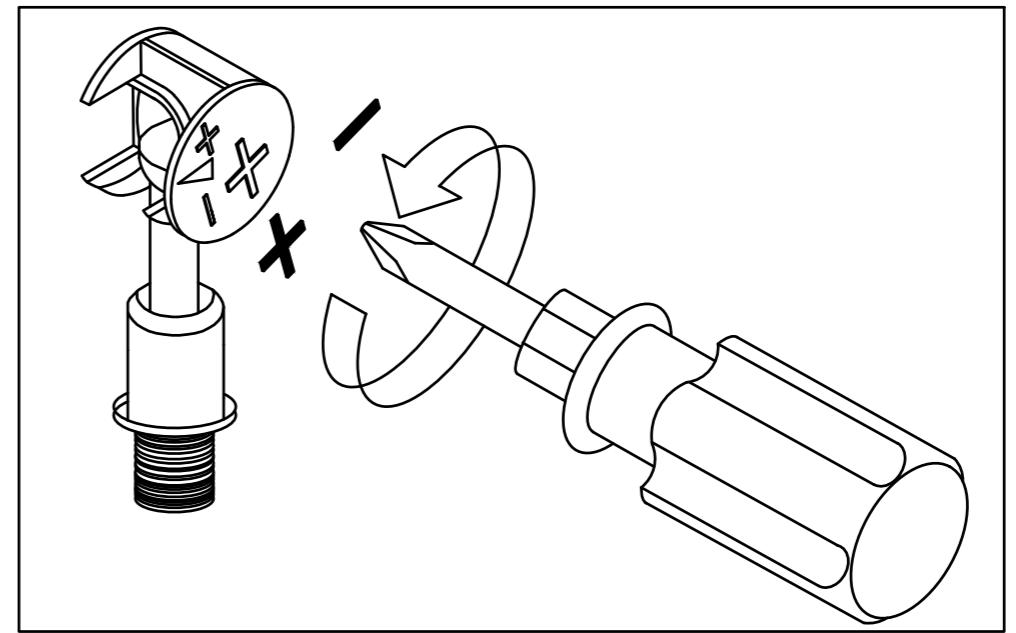
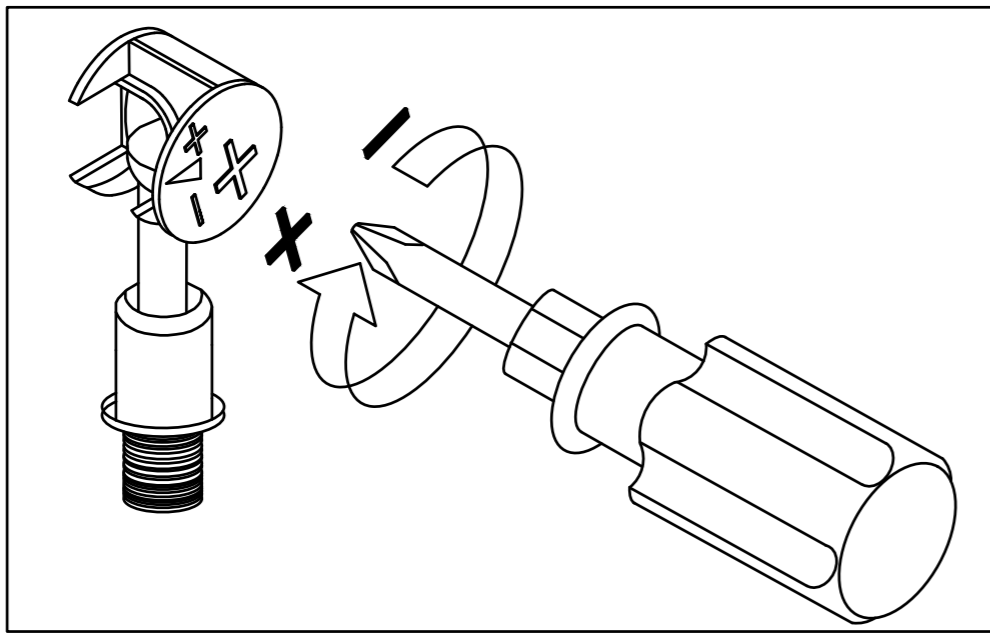
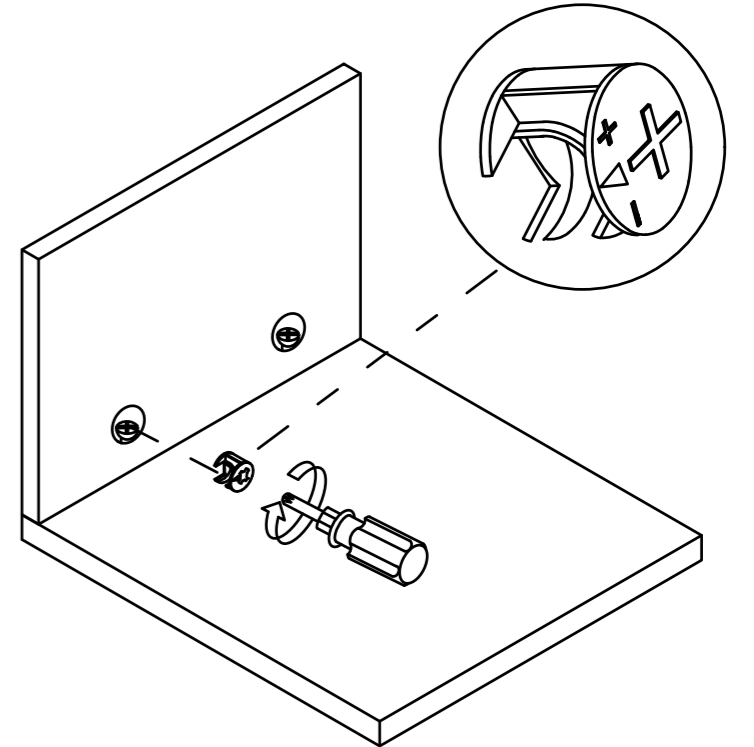
Step1



Step2



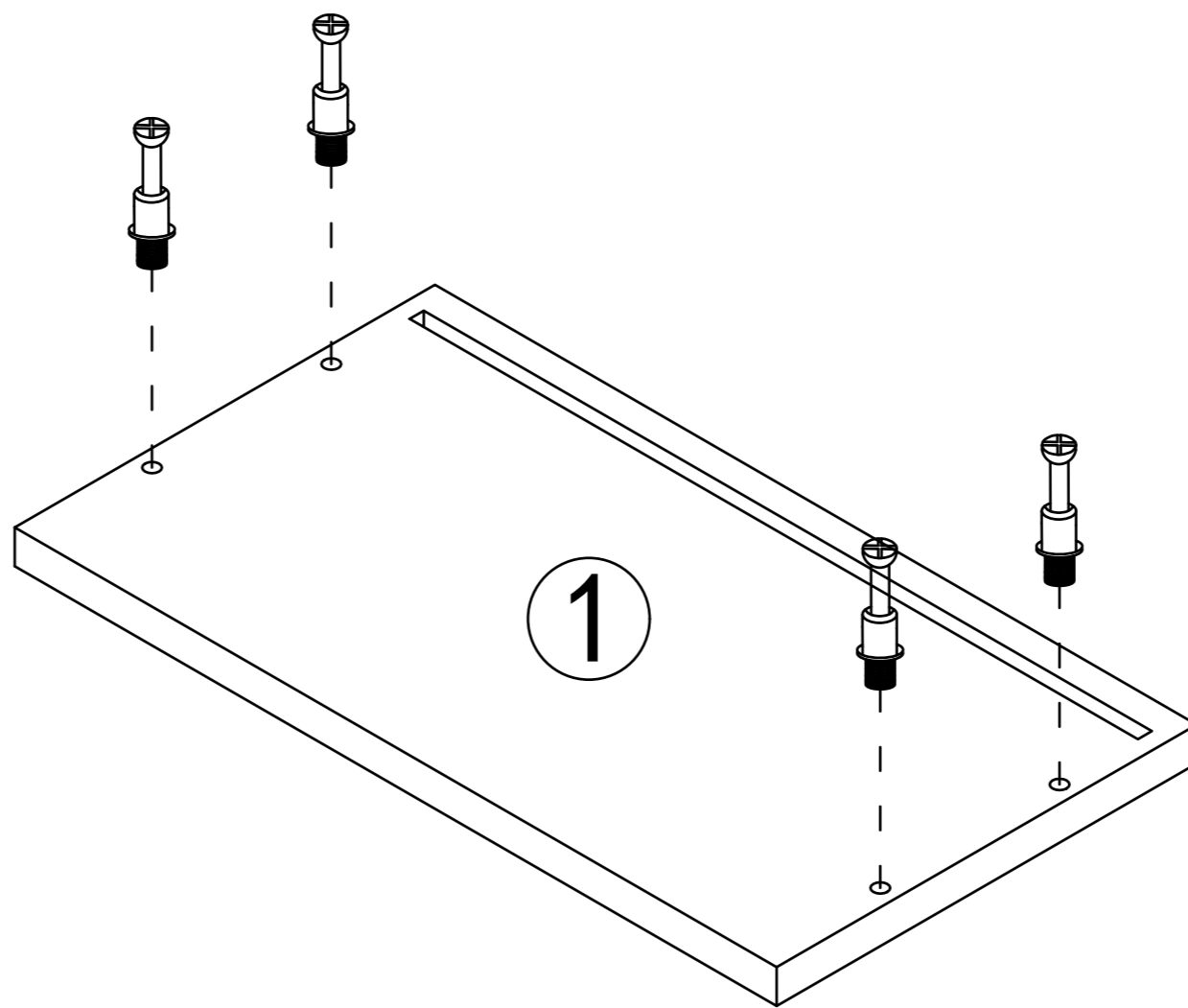
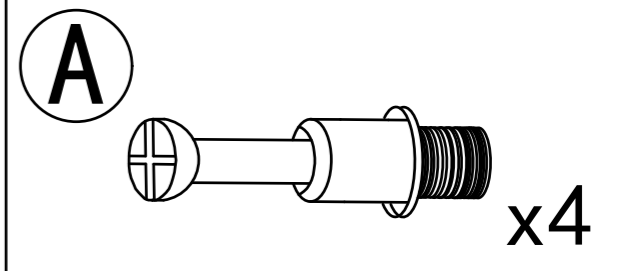
Step3



Use a screwdriver to lock in the direction of the "+" sign

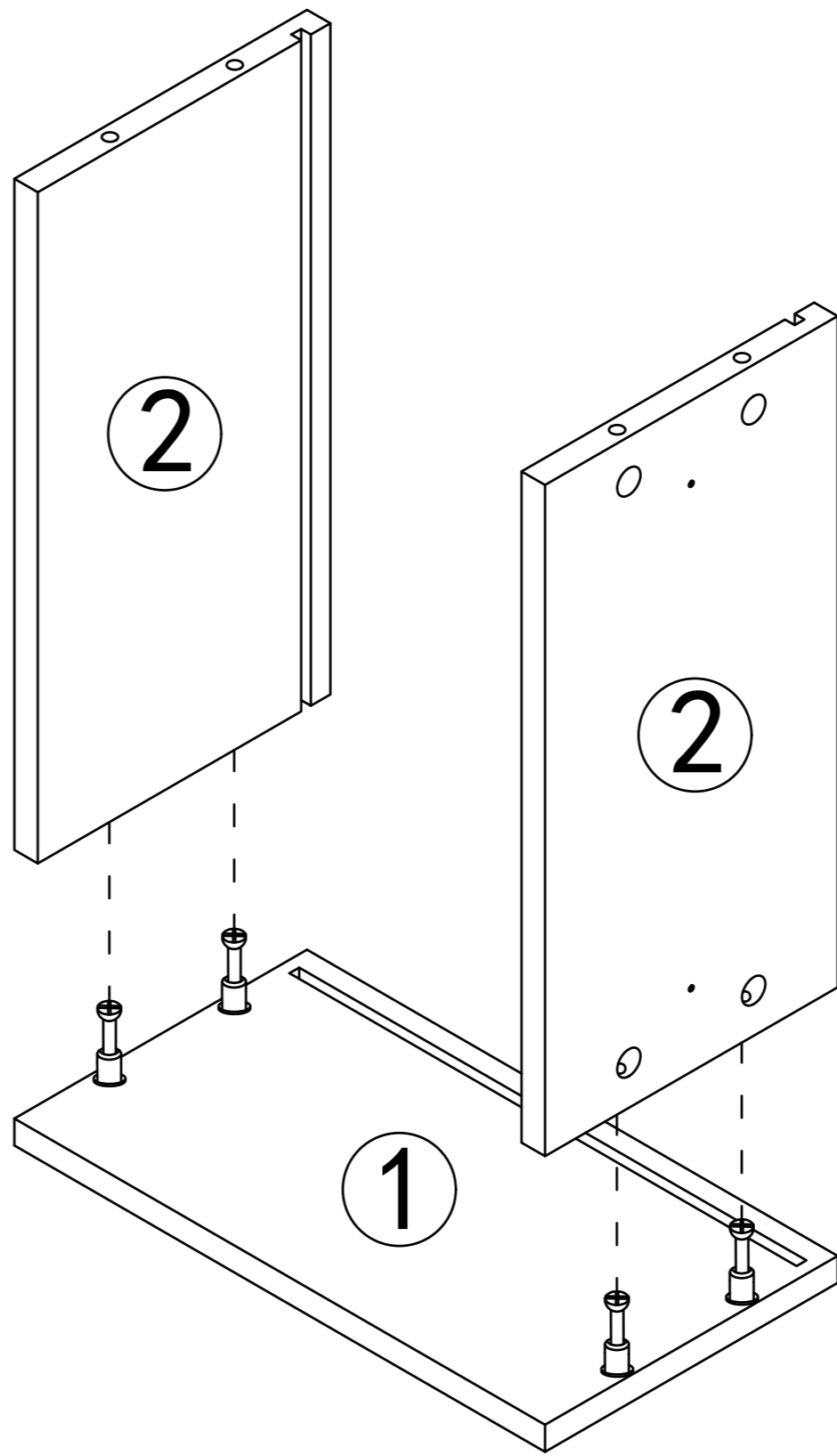
Disassemble along the direction of "-" sign

Step 1

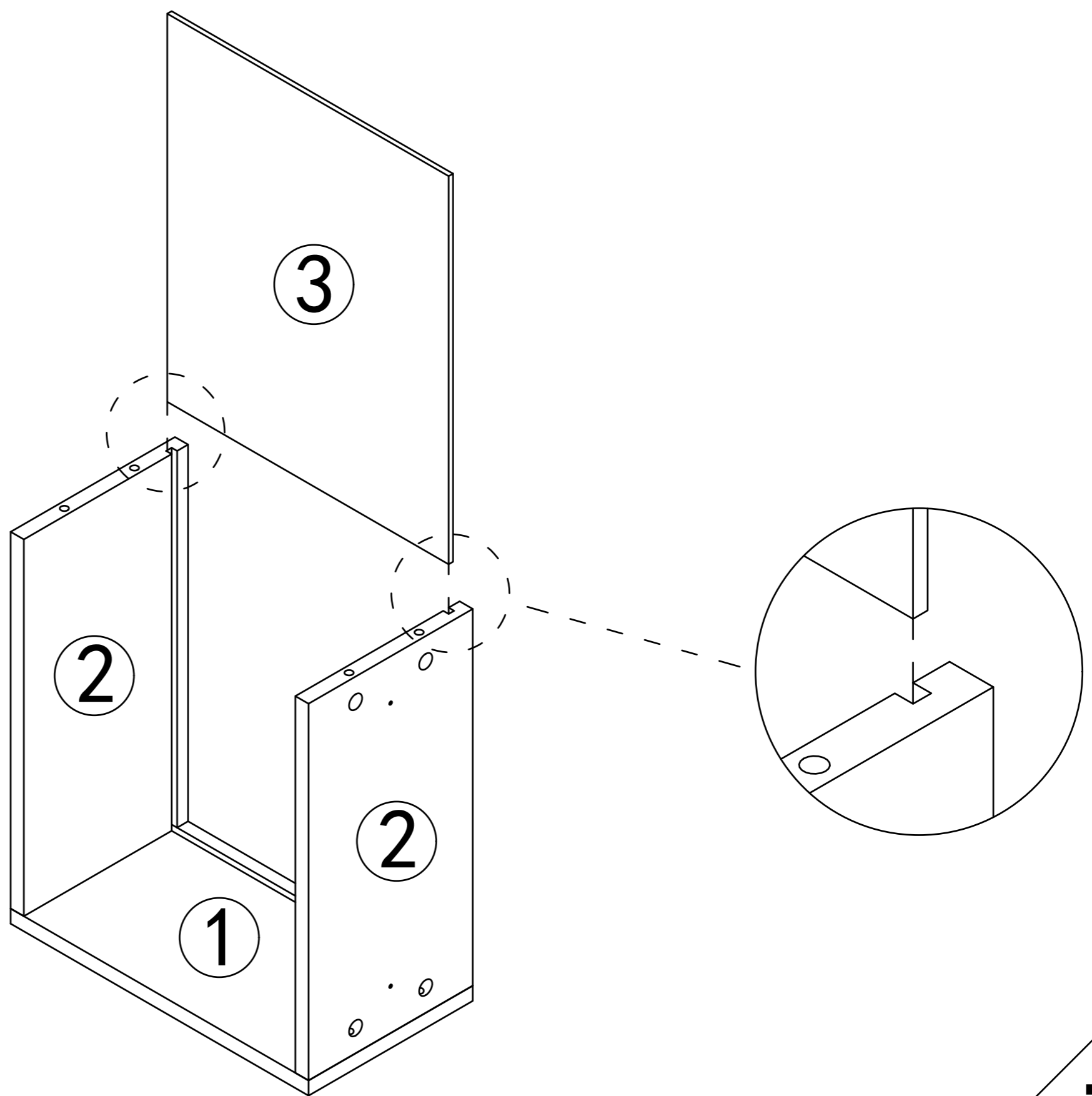


6

Step 2

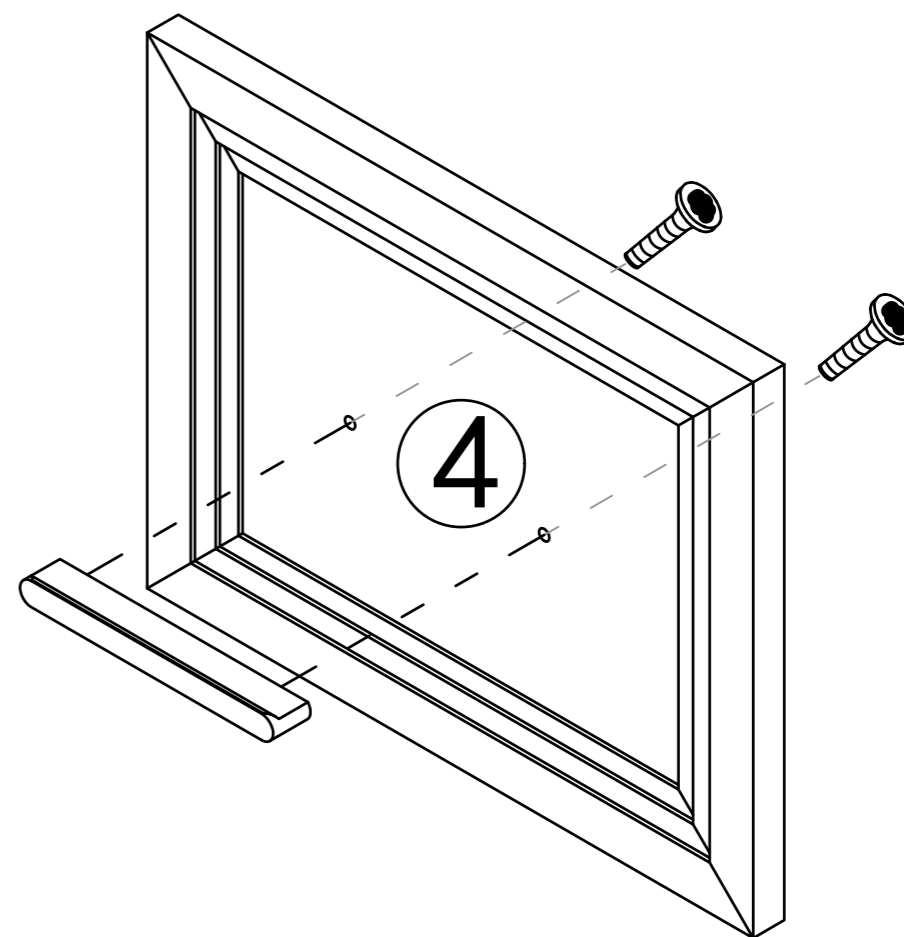
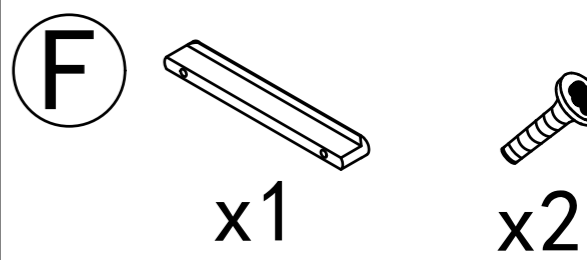
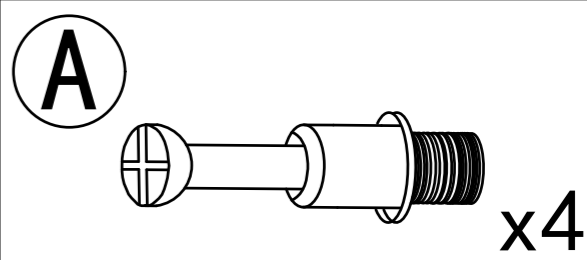
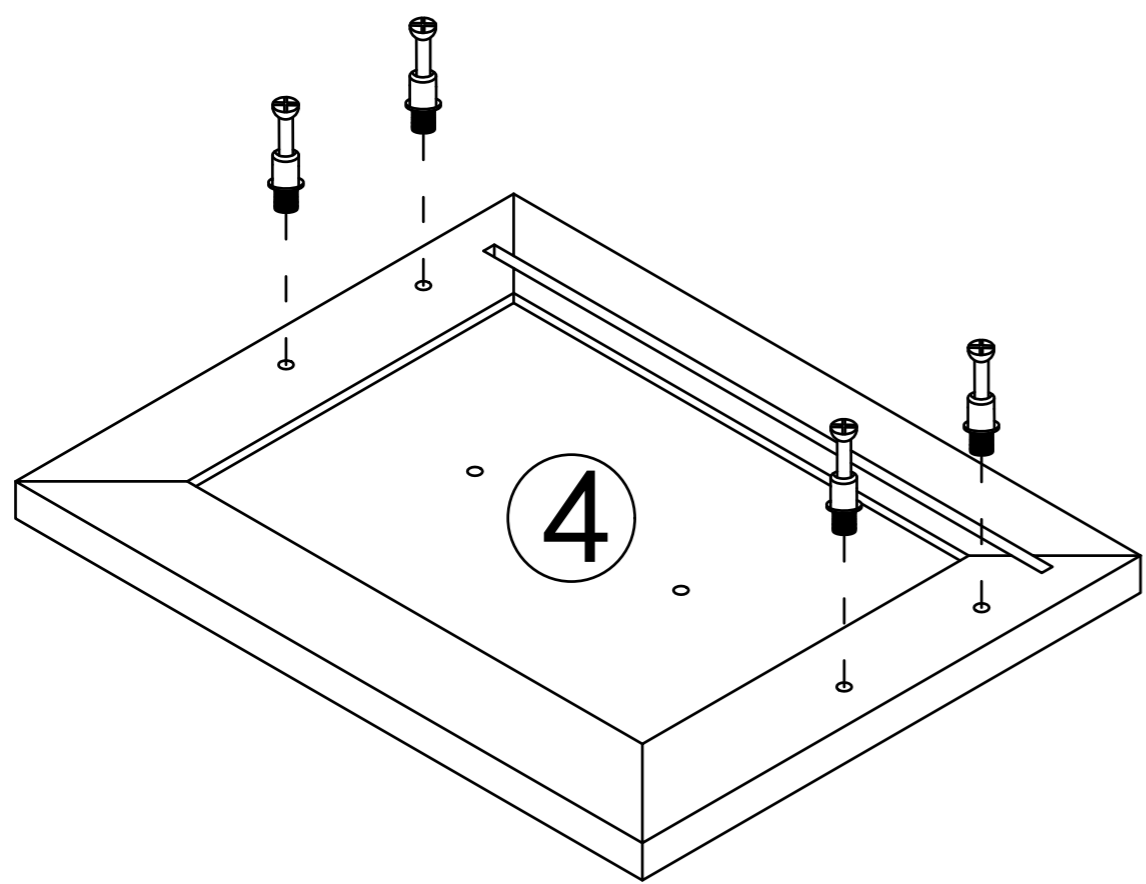


Step 3

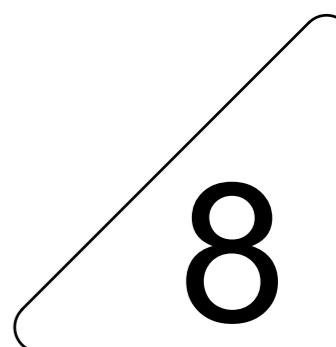
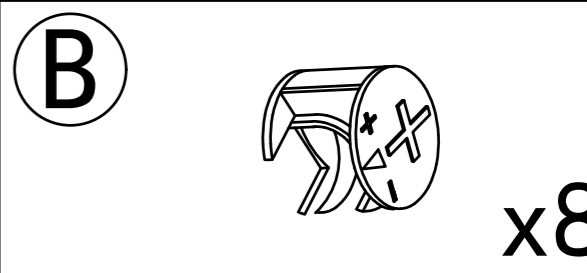
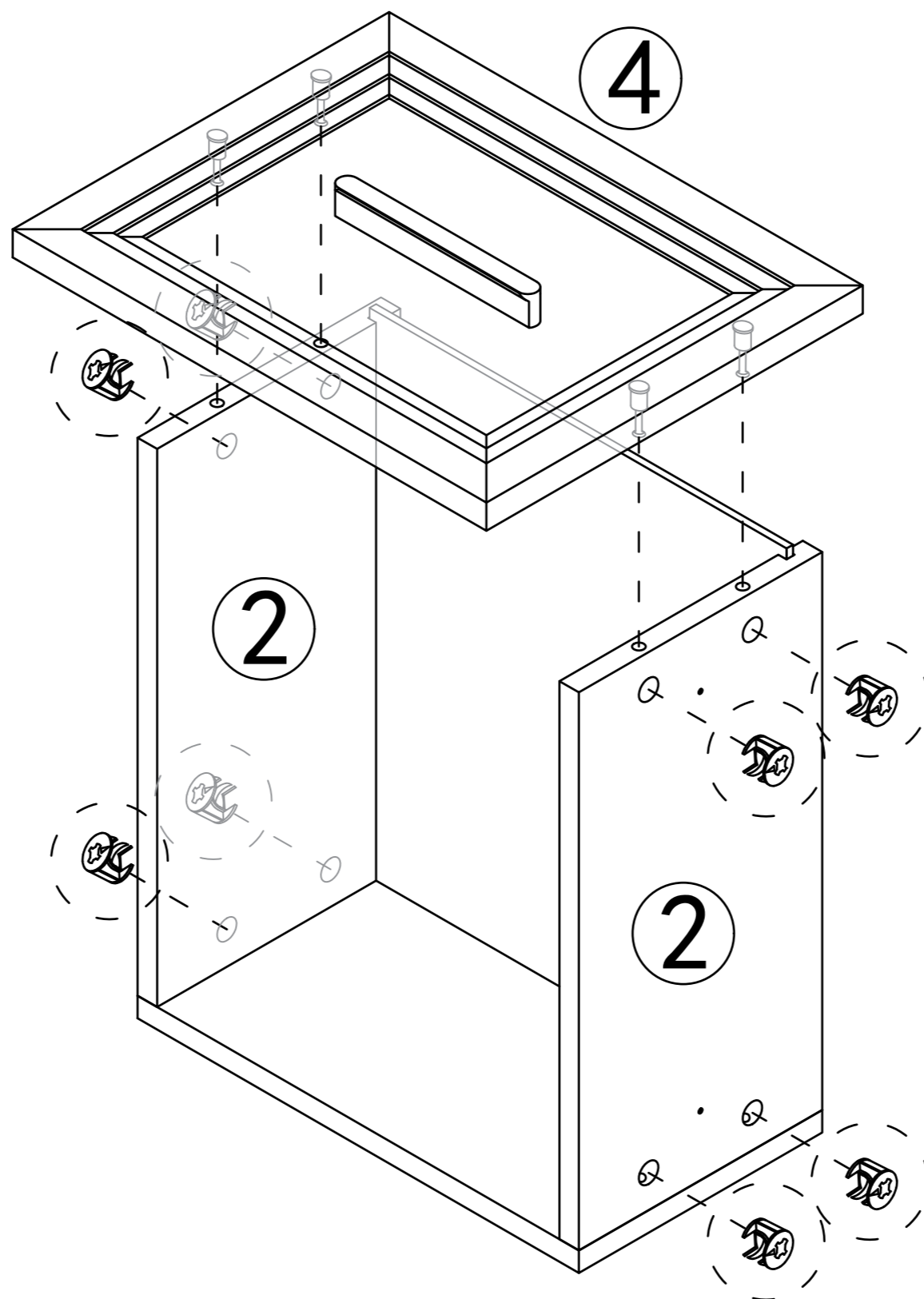


7

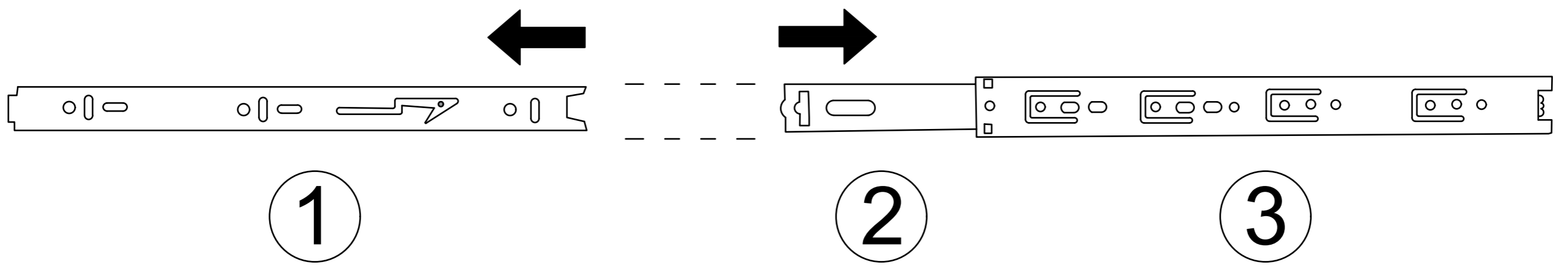
Step 4



Step 5

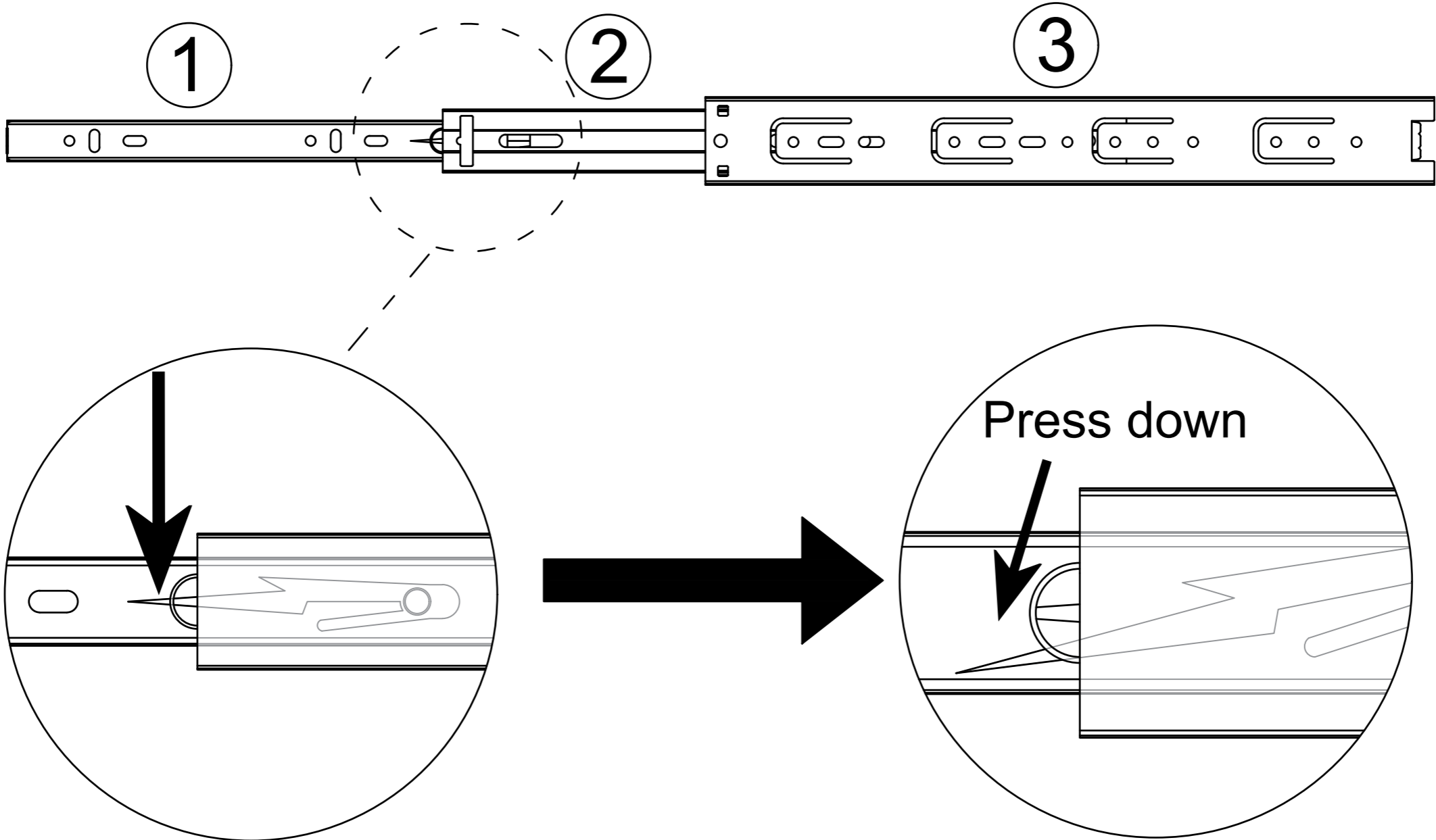


Drawer rail breakdown diagram



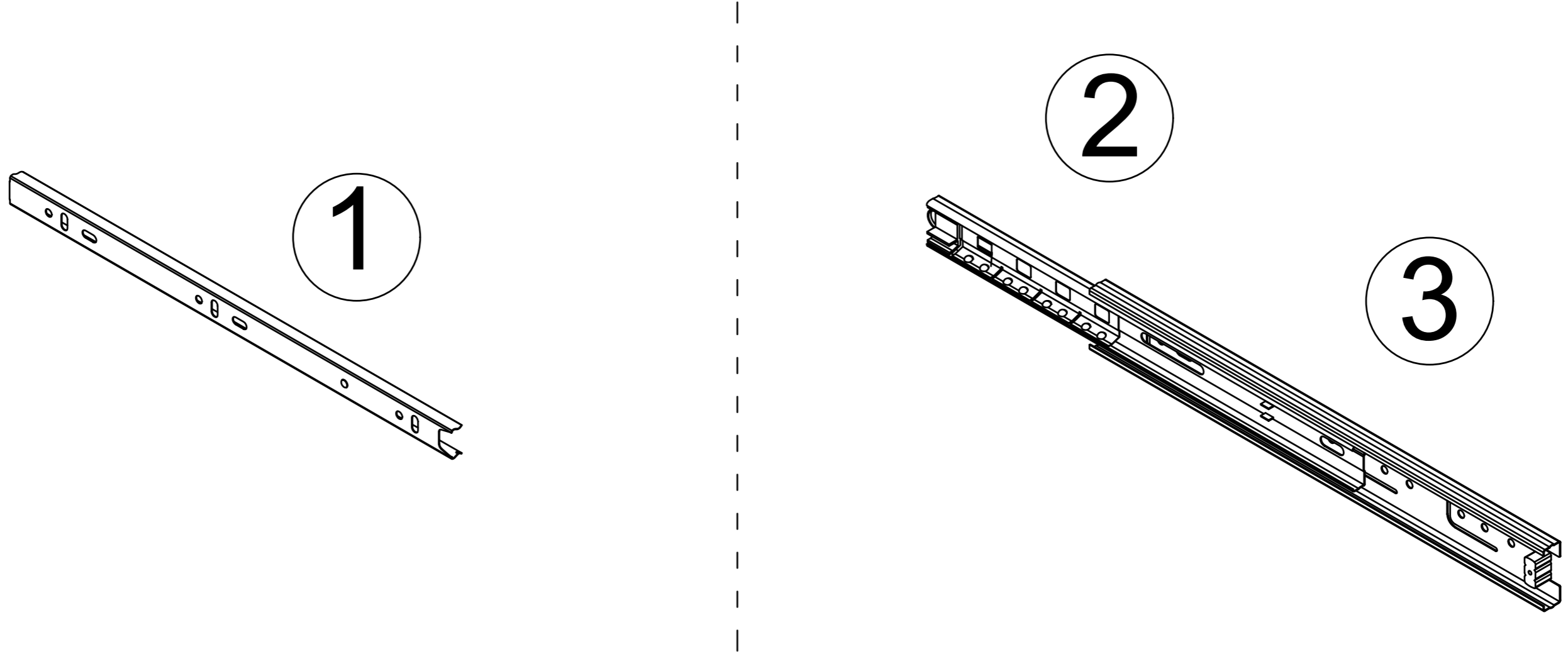
① Dismantle the schematic diagram

Step 1 : Pull the rails apart



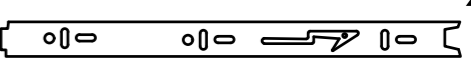
Step 2 : Press the nylon button and pull out ①.

Drawer rail decomposition completed schematic diagram

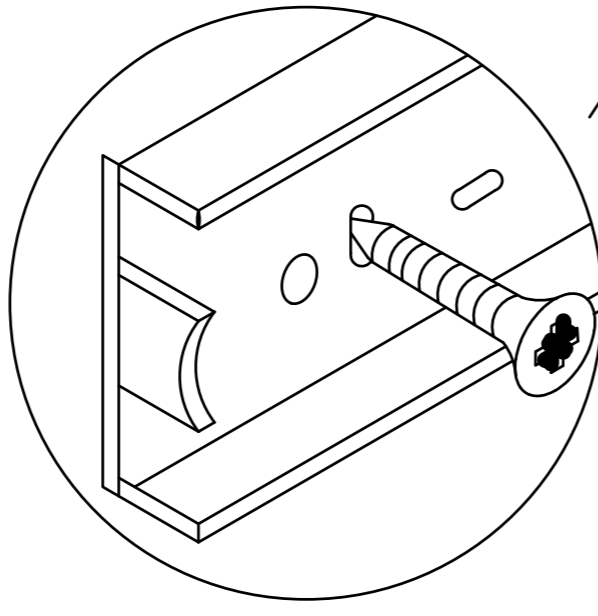
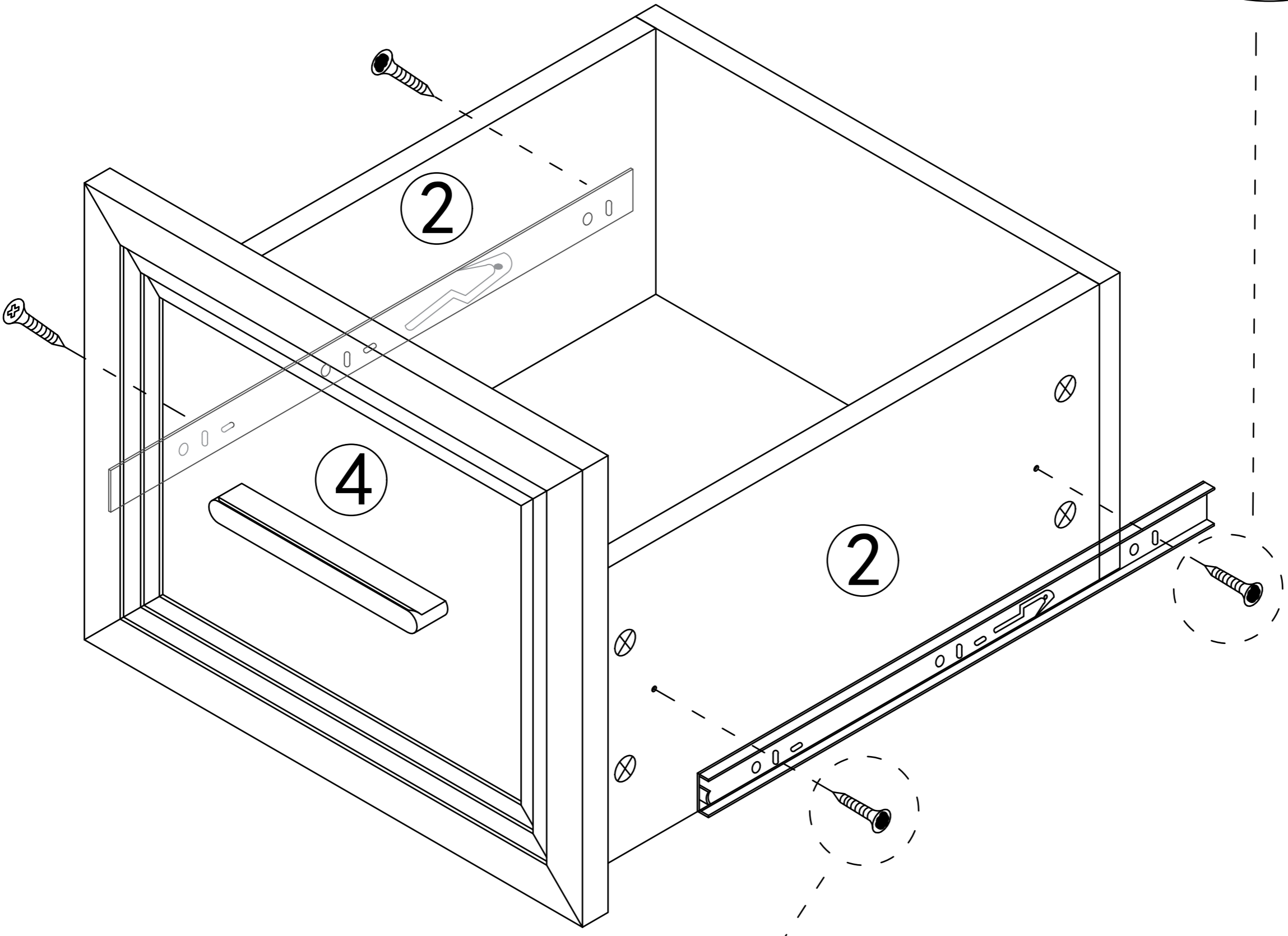
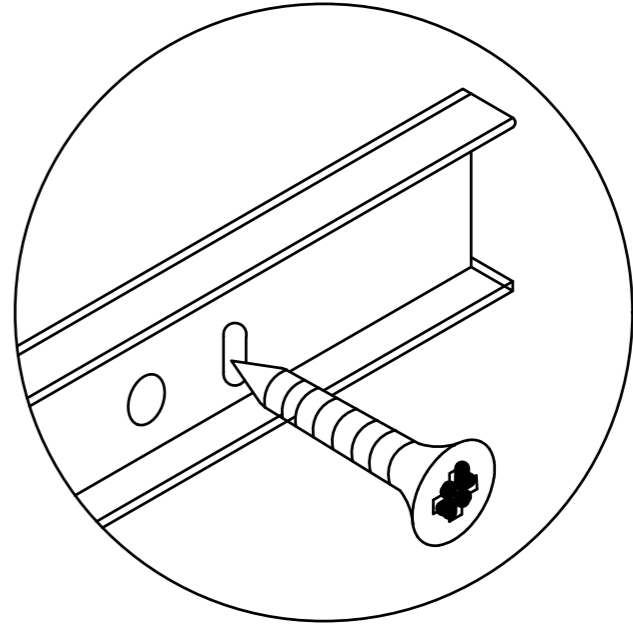
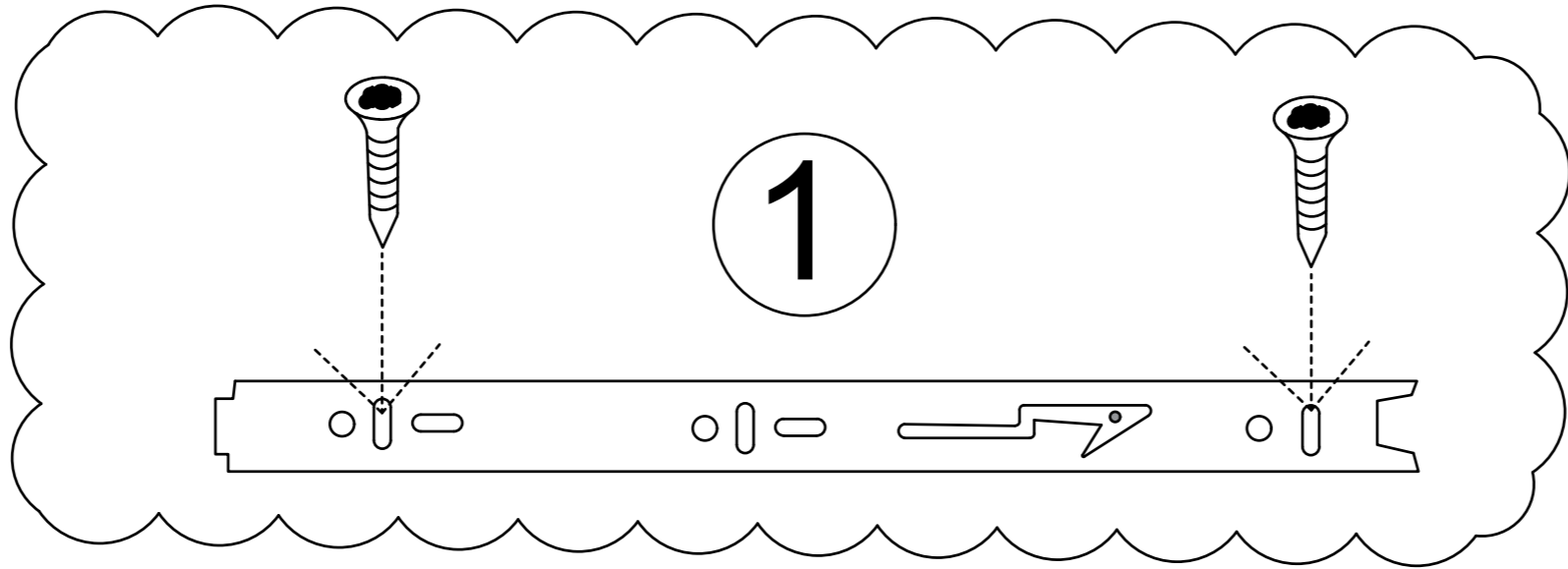
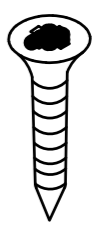


Step 6

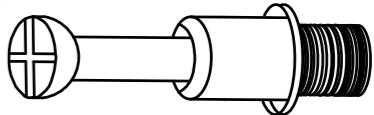
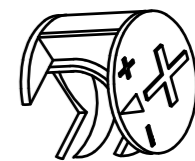
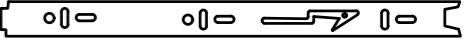
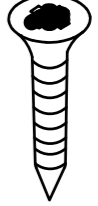
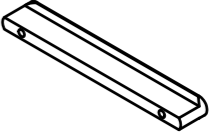

D x2

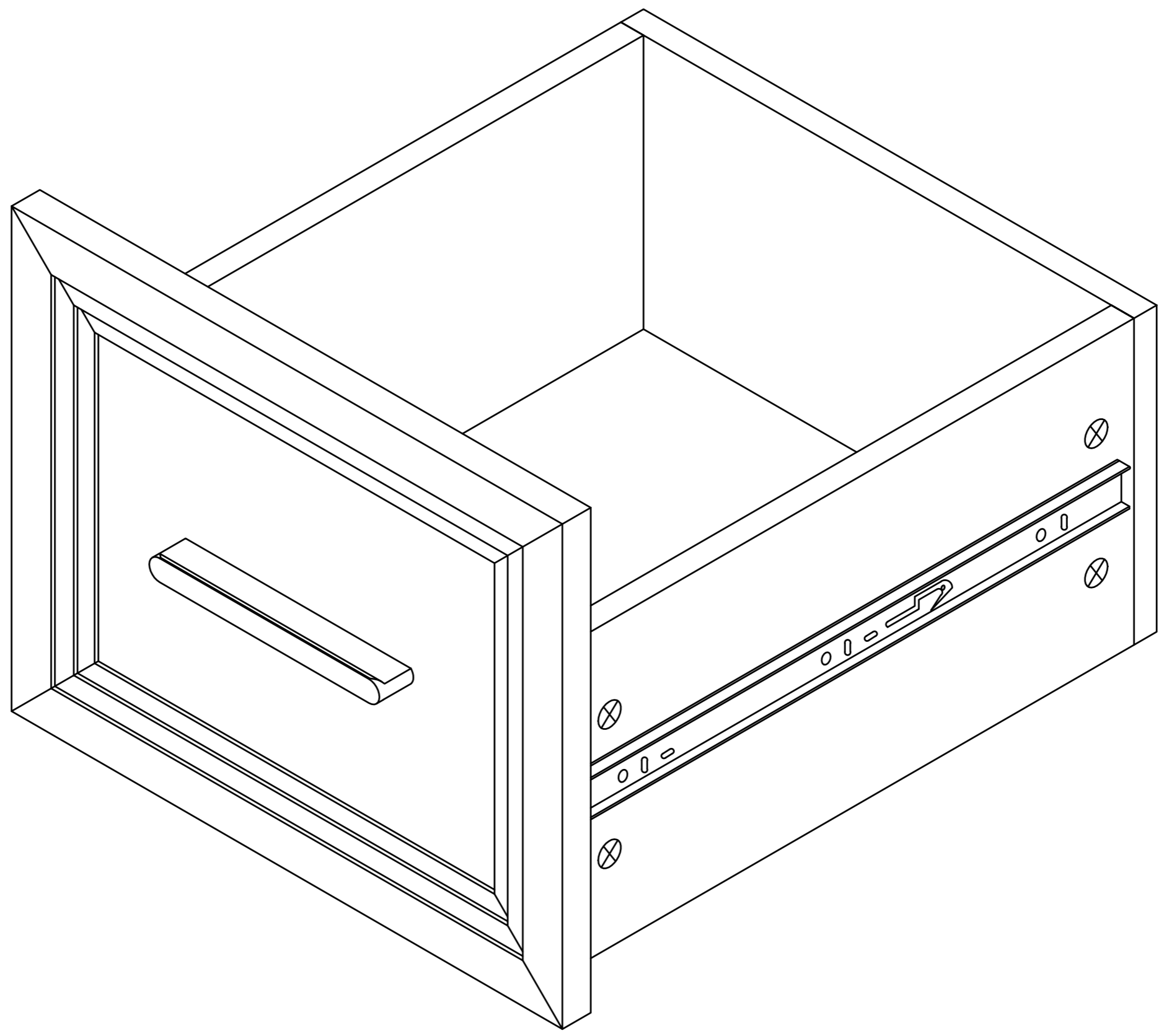


x4

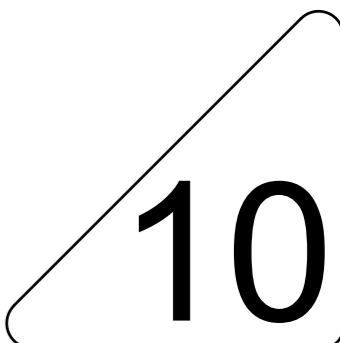


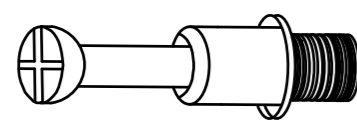


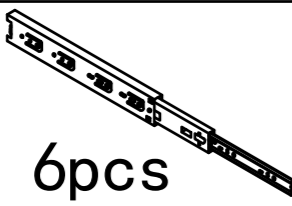


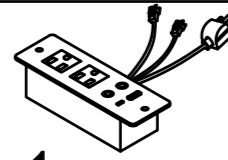
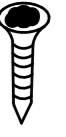
Step 7

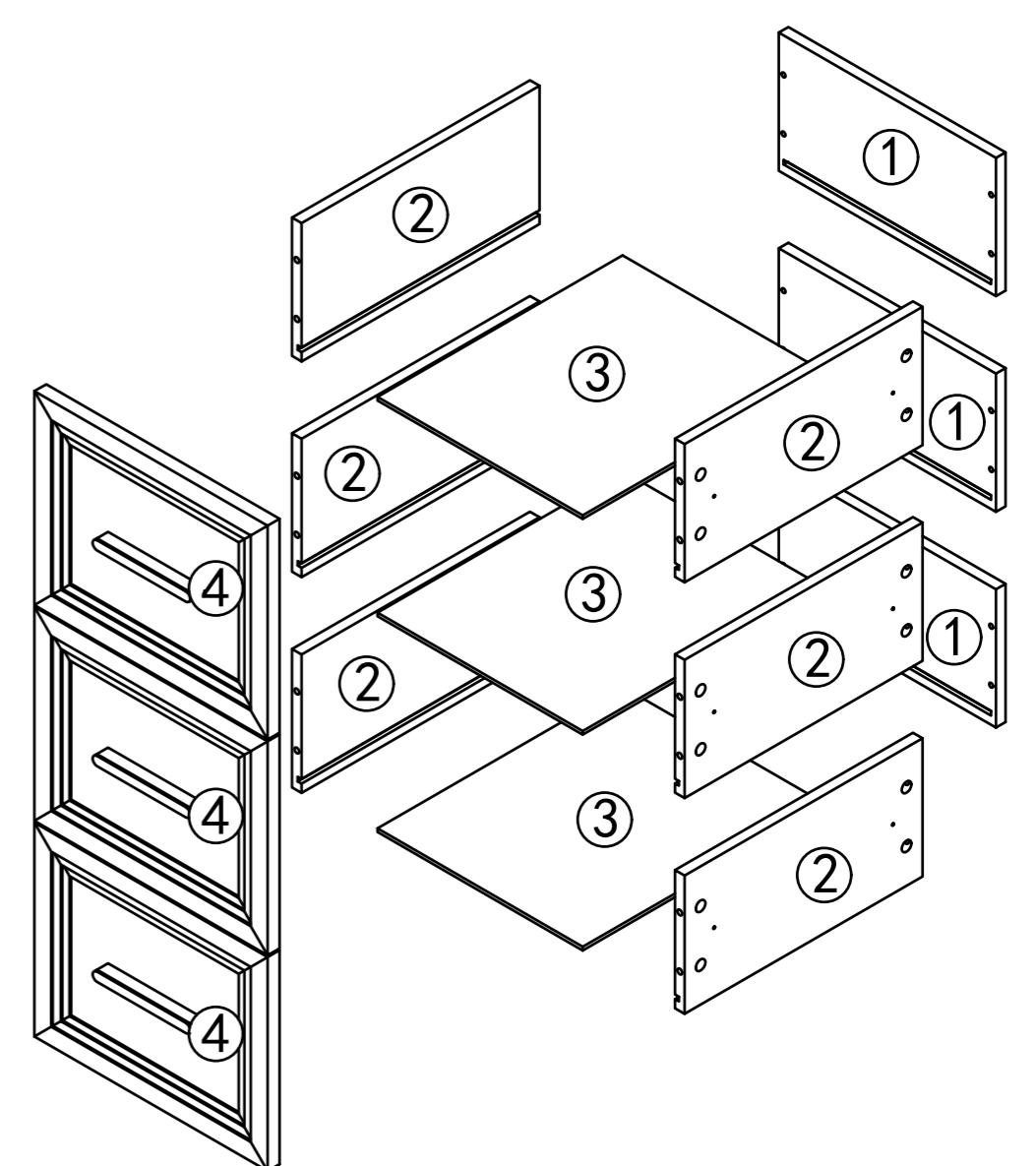
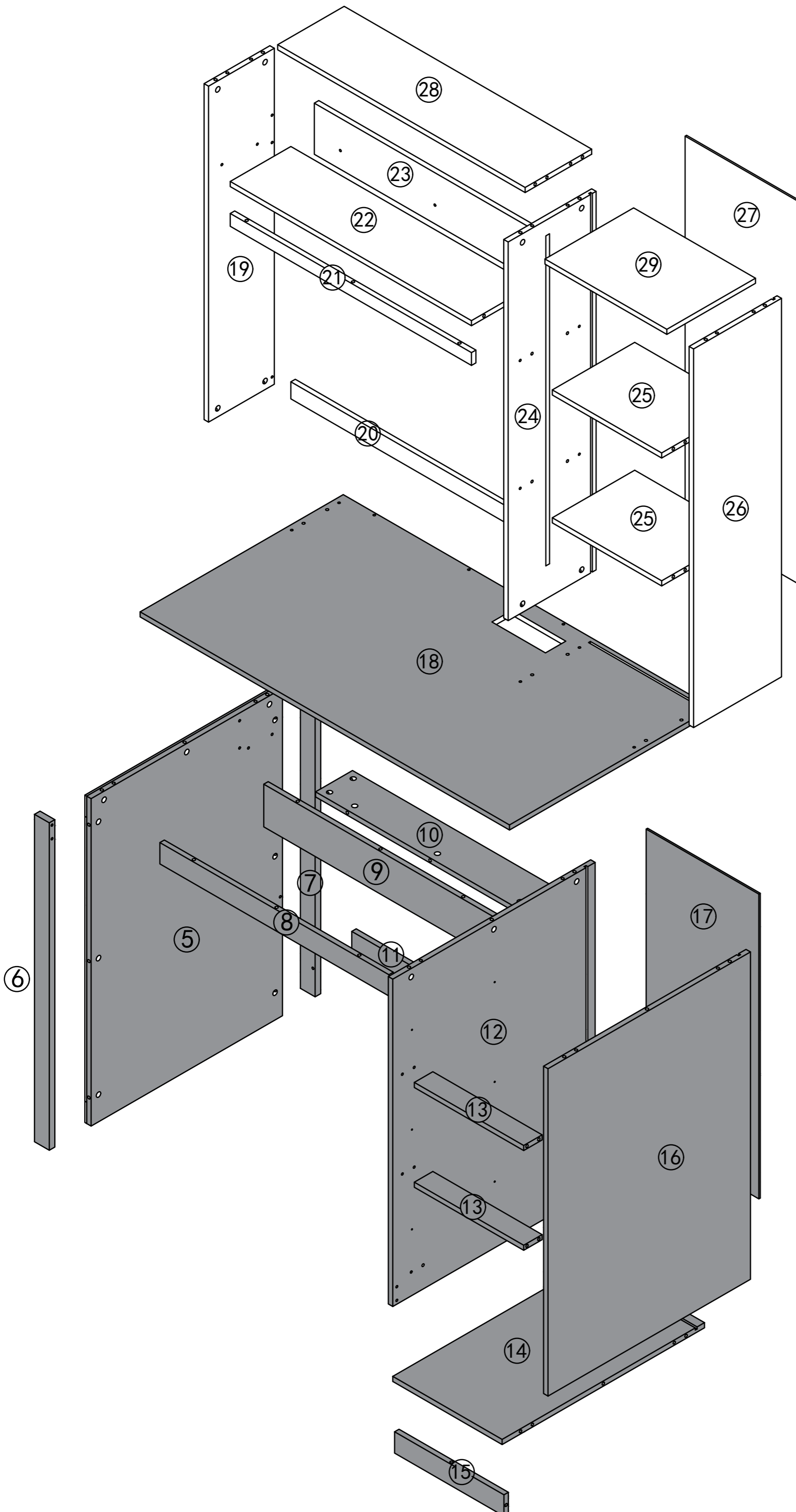
- A**  x24
- B**  x24
- D**  x6
-  x12
- F**  x3  x6



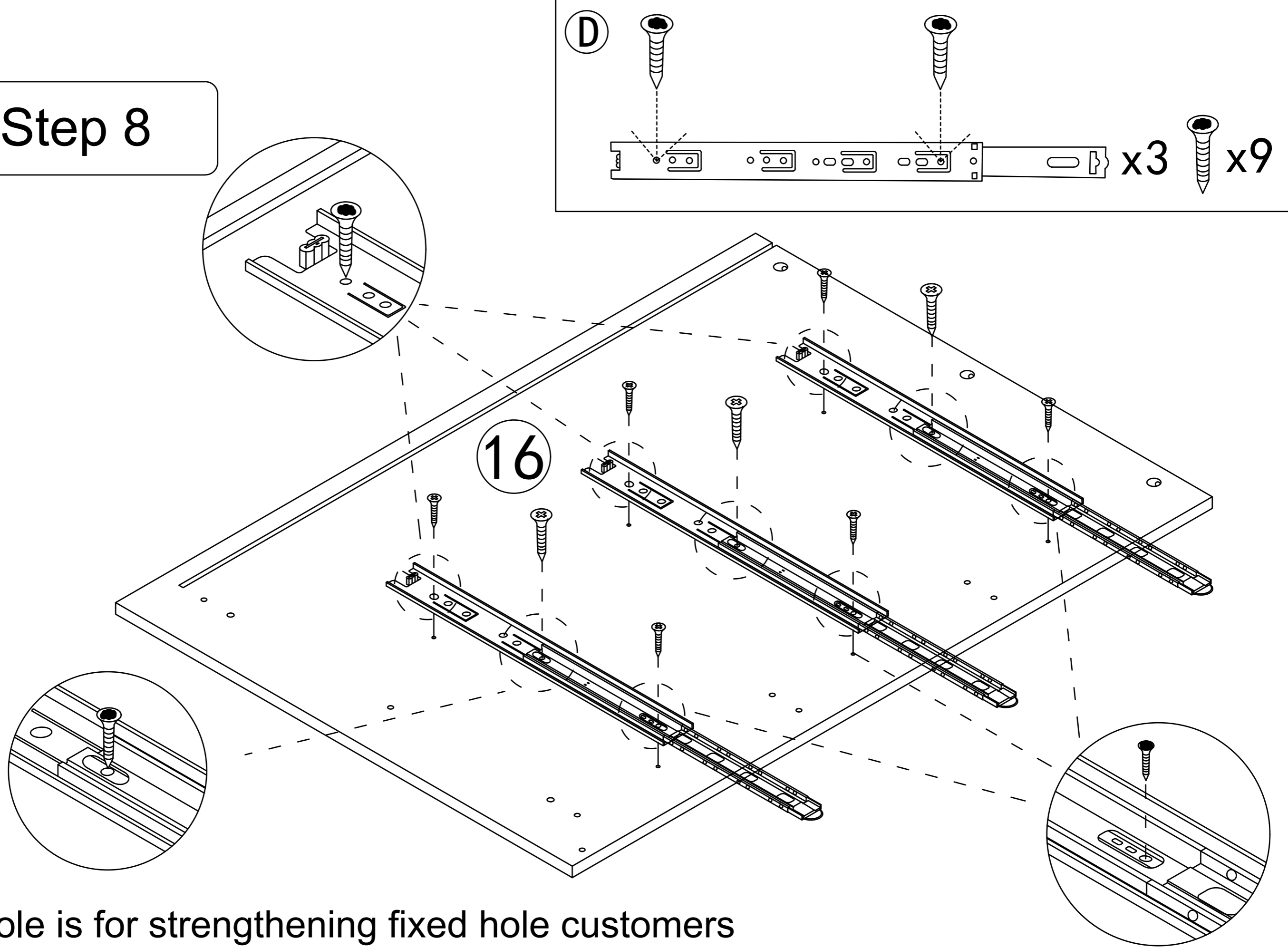
x3



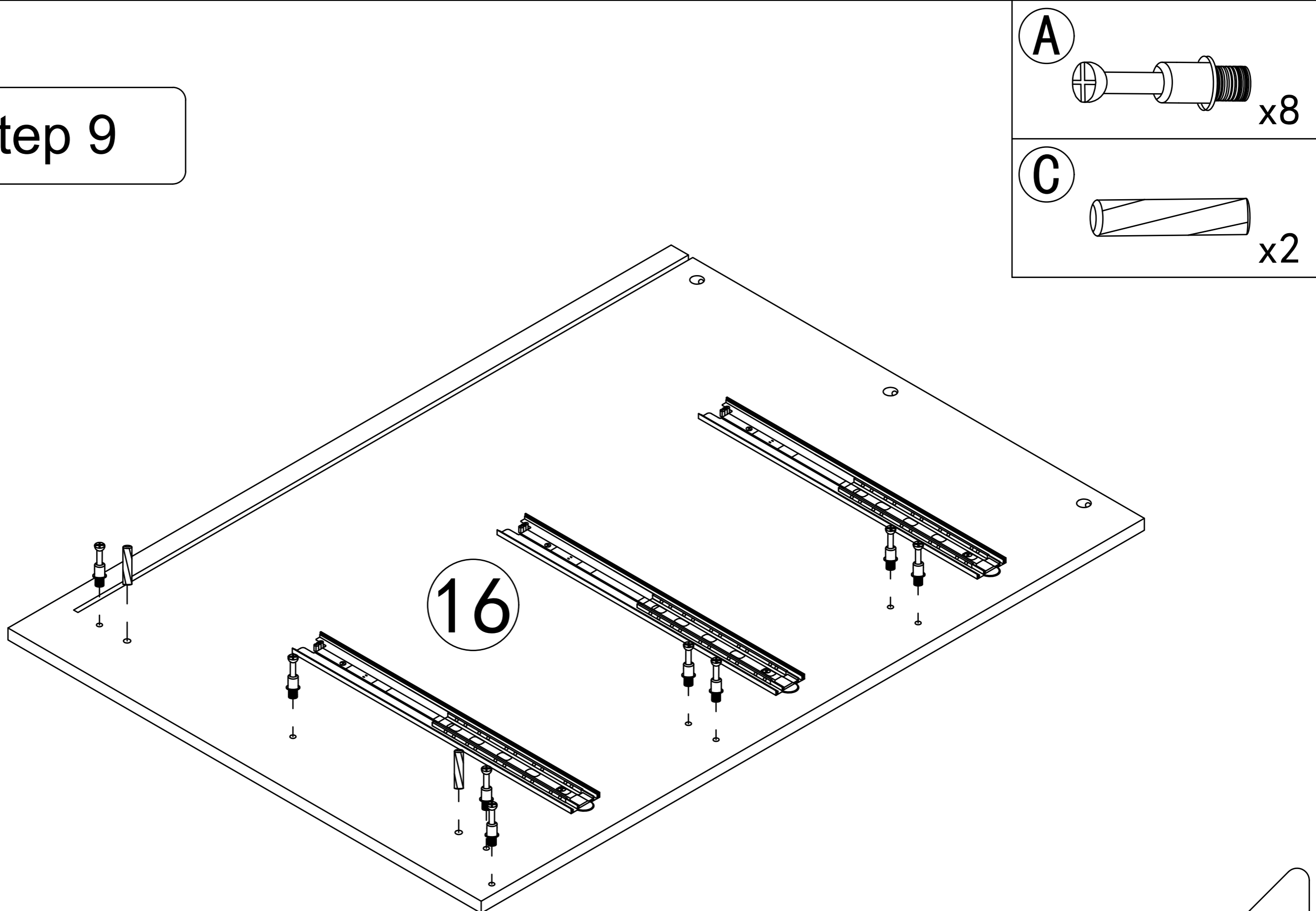
A		57pcs	B		57pcs	C		10pcs
D	 6pcs	 12pcs	E		9pcs	J	 1pcs	 2pcs



Step 8



Step 9

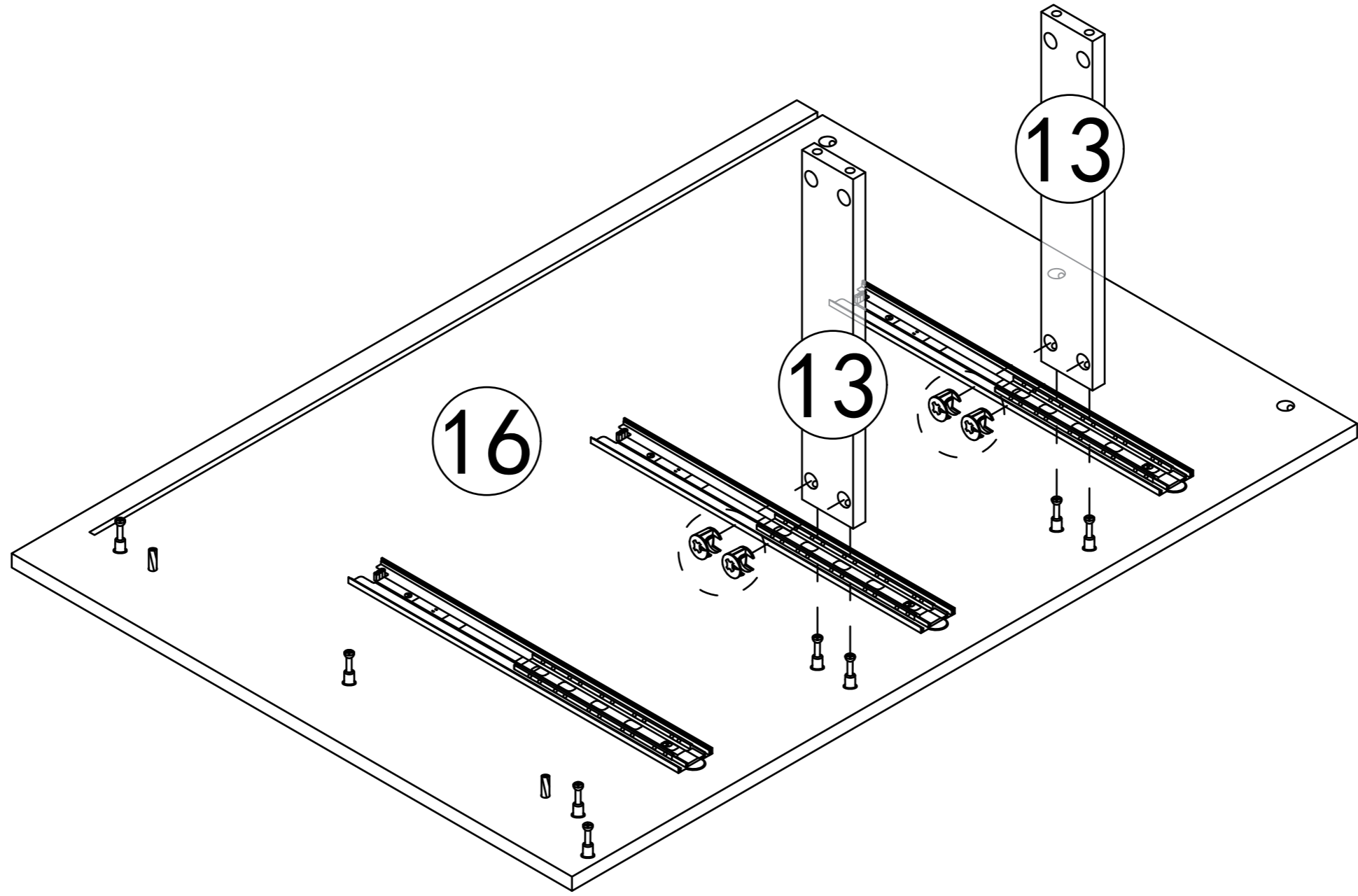


Step 10

B

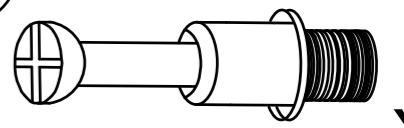


x4

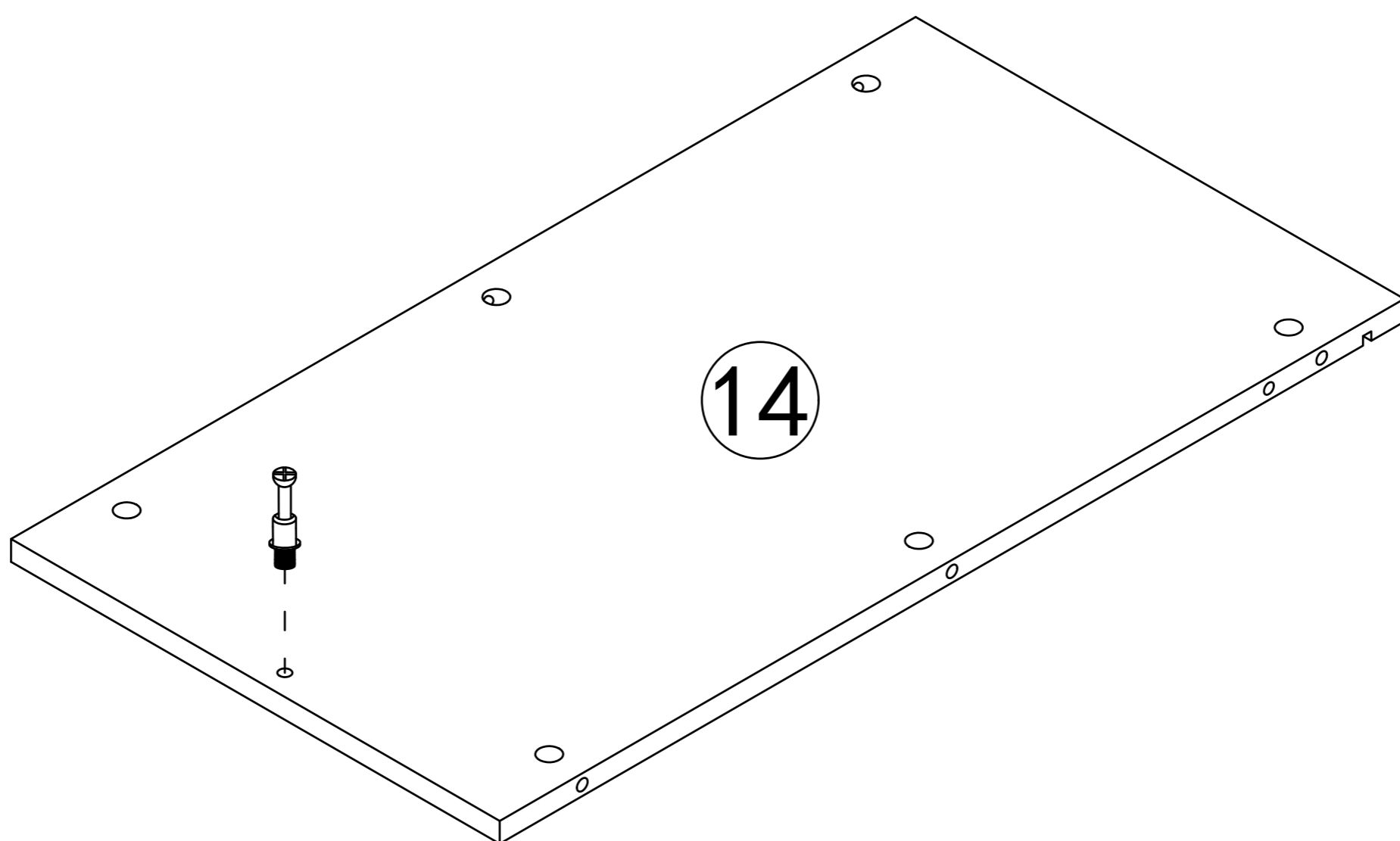


Step 11

A



x1

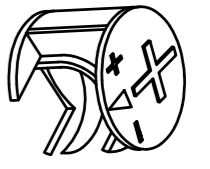


13

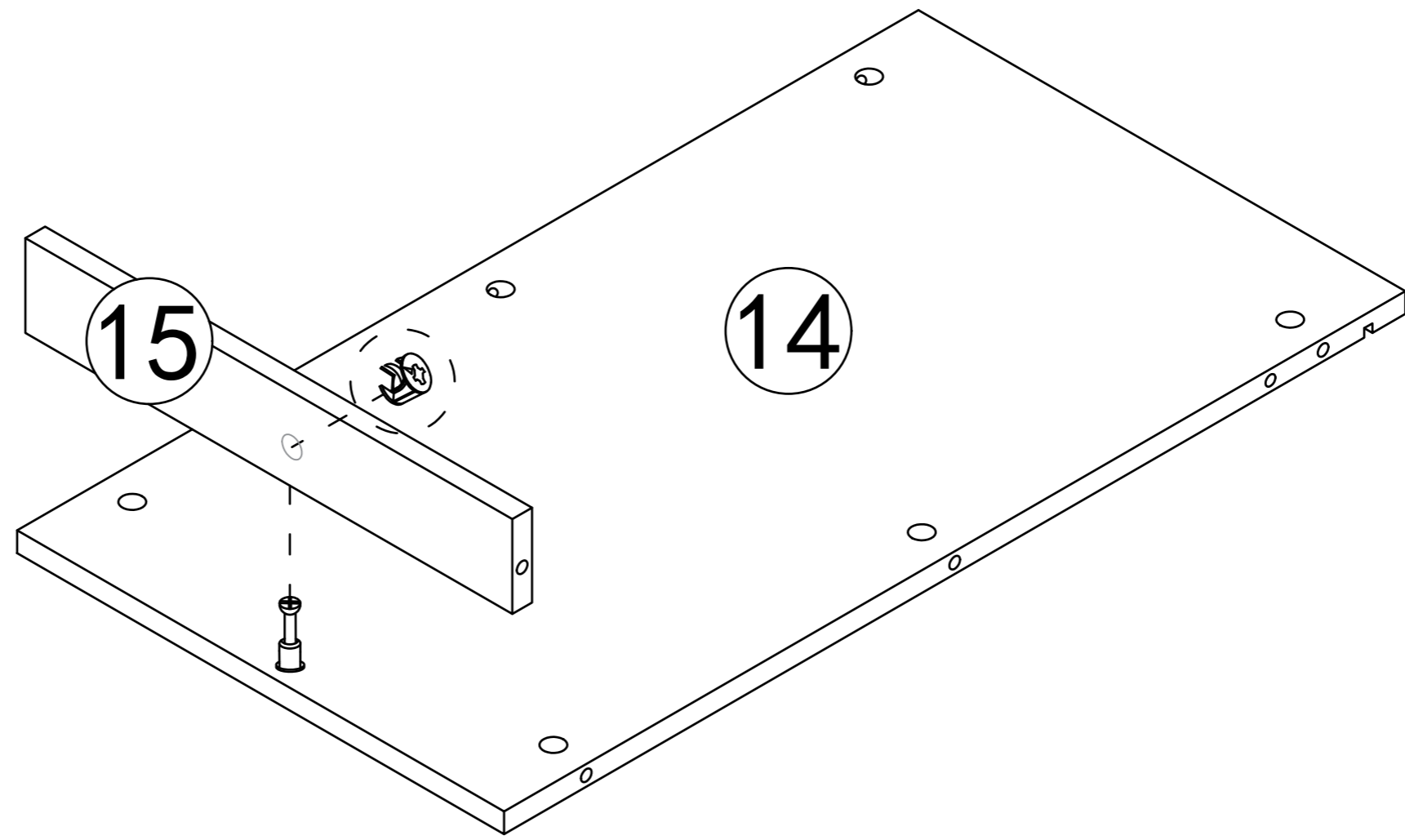
SY

Step 12

B



x1

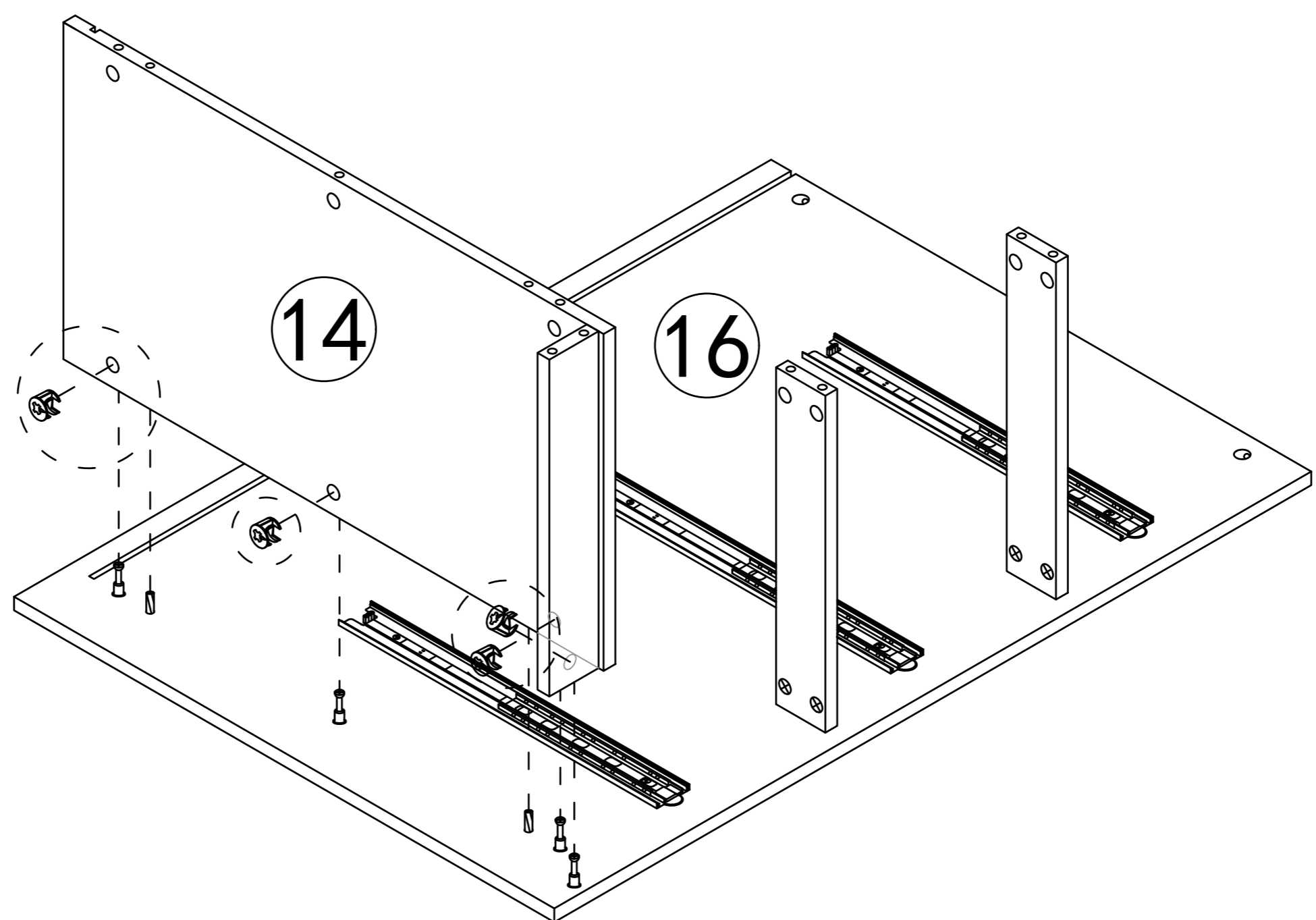


Step 13

B



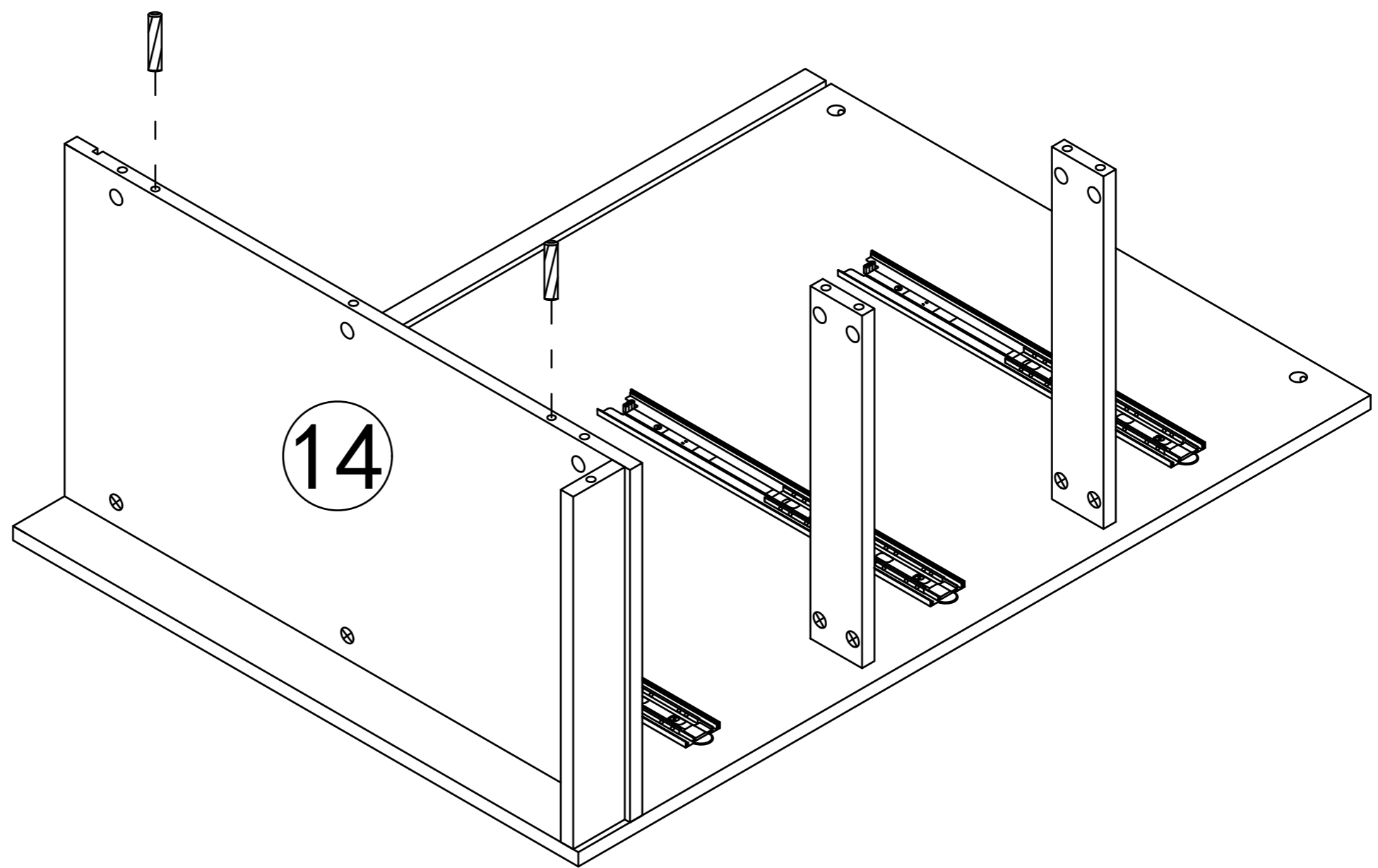
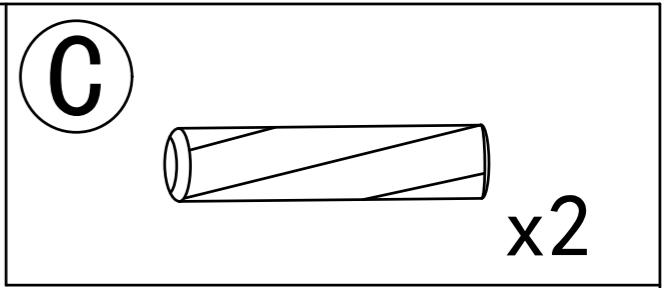
x4



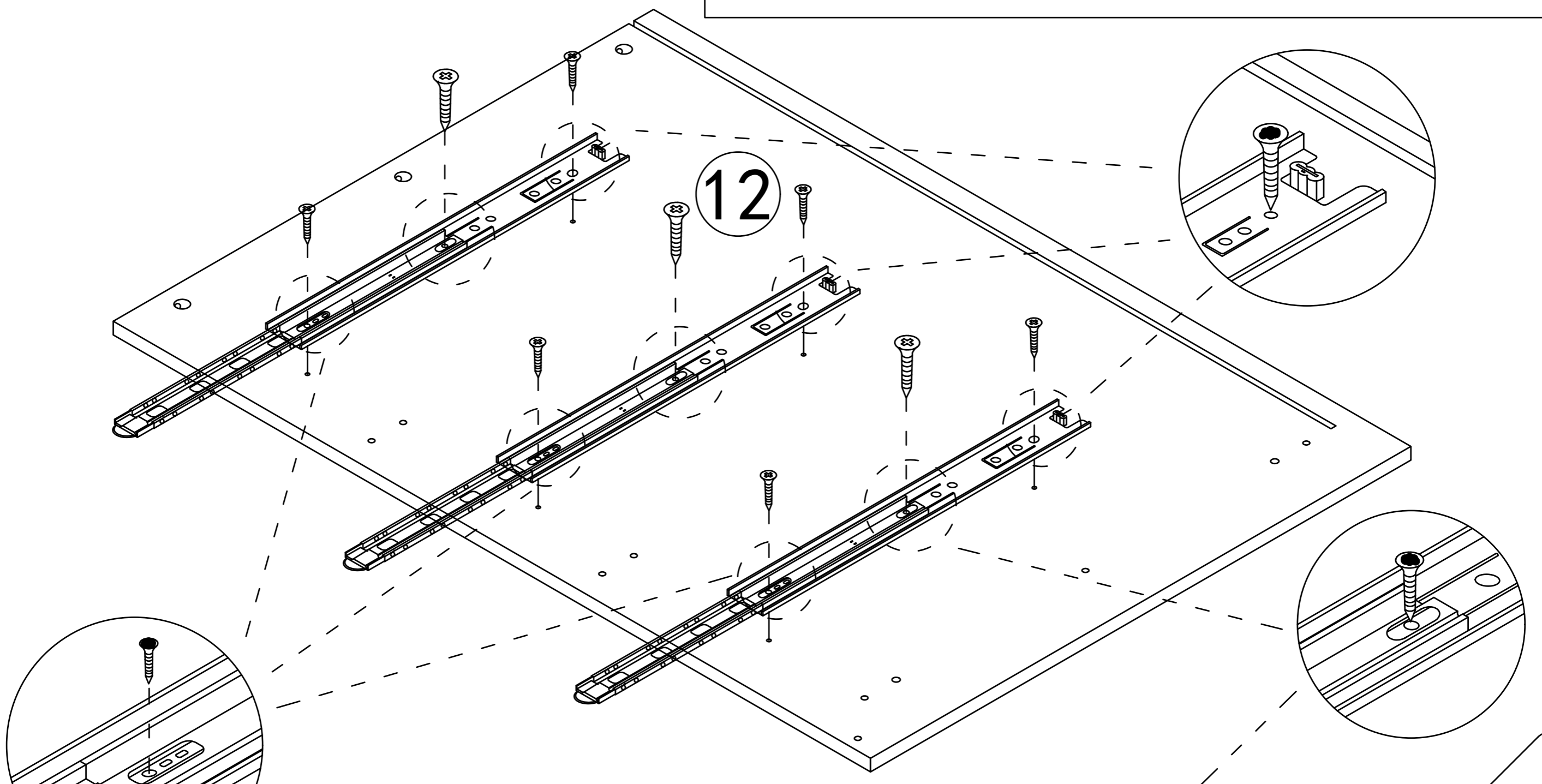
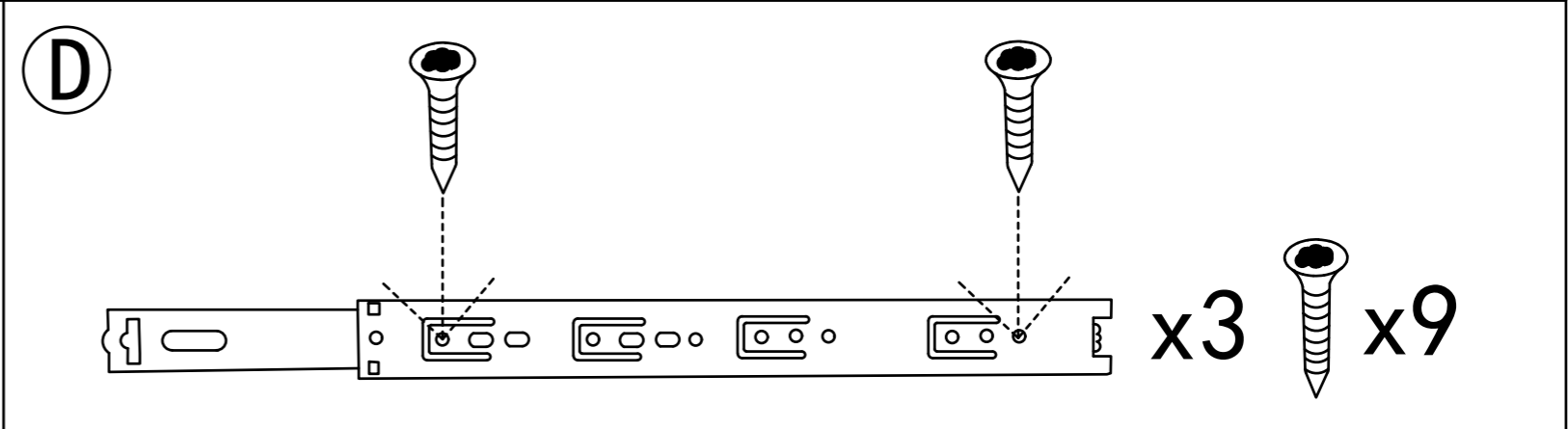
14

SY

Step 14



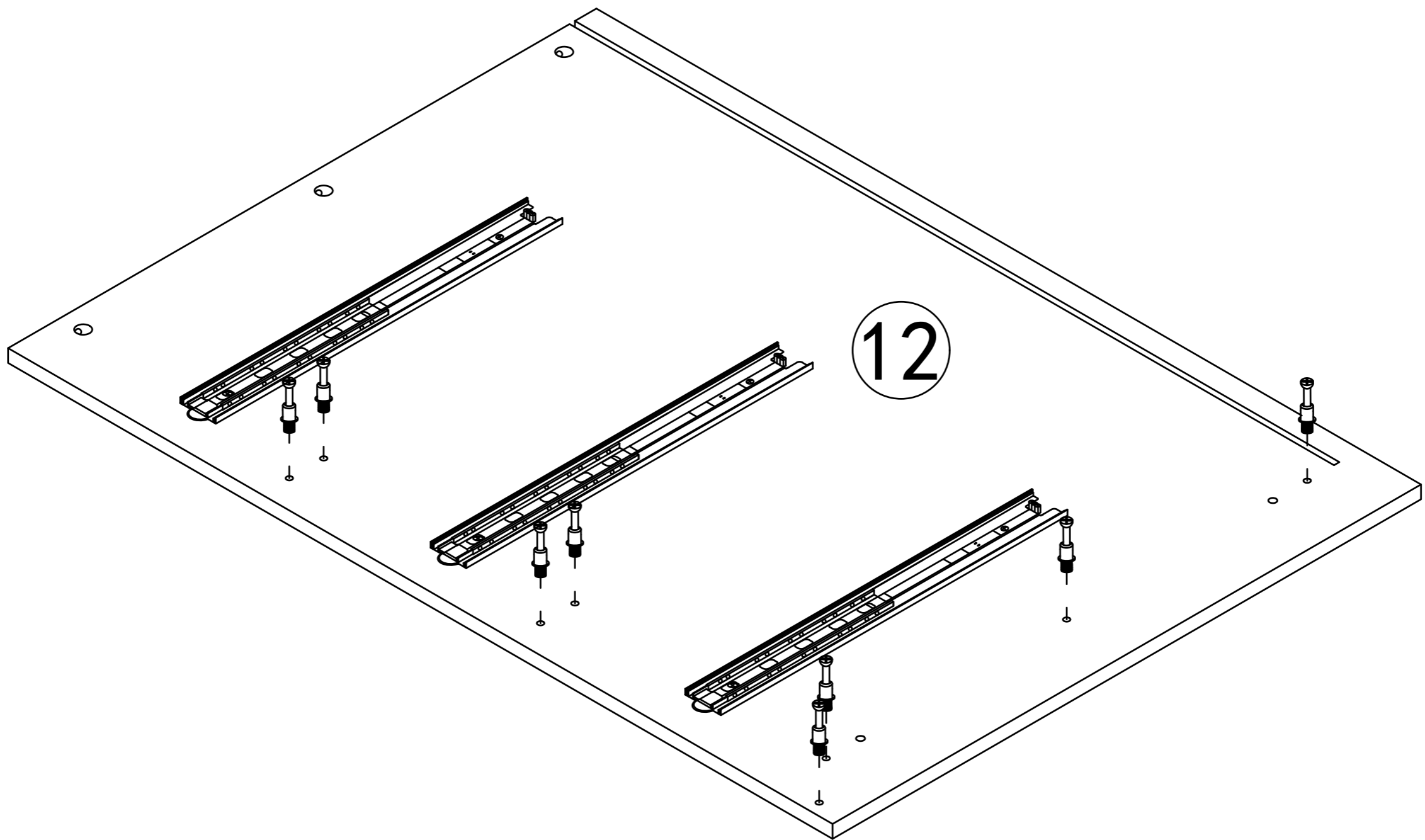
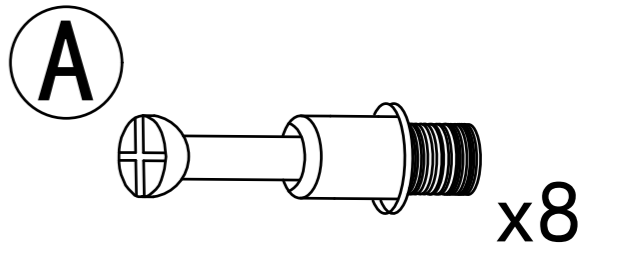
Step 15



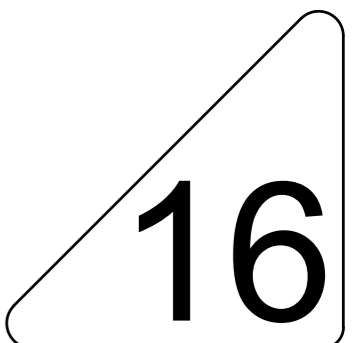
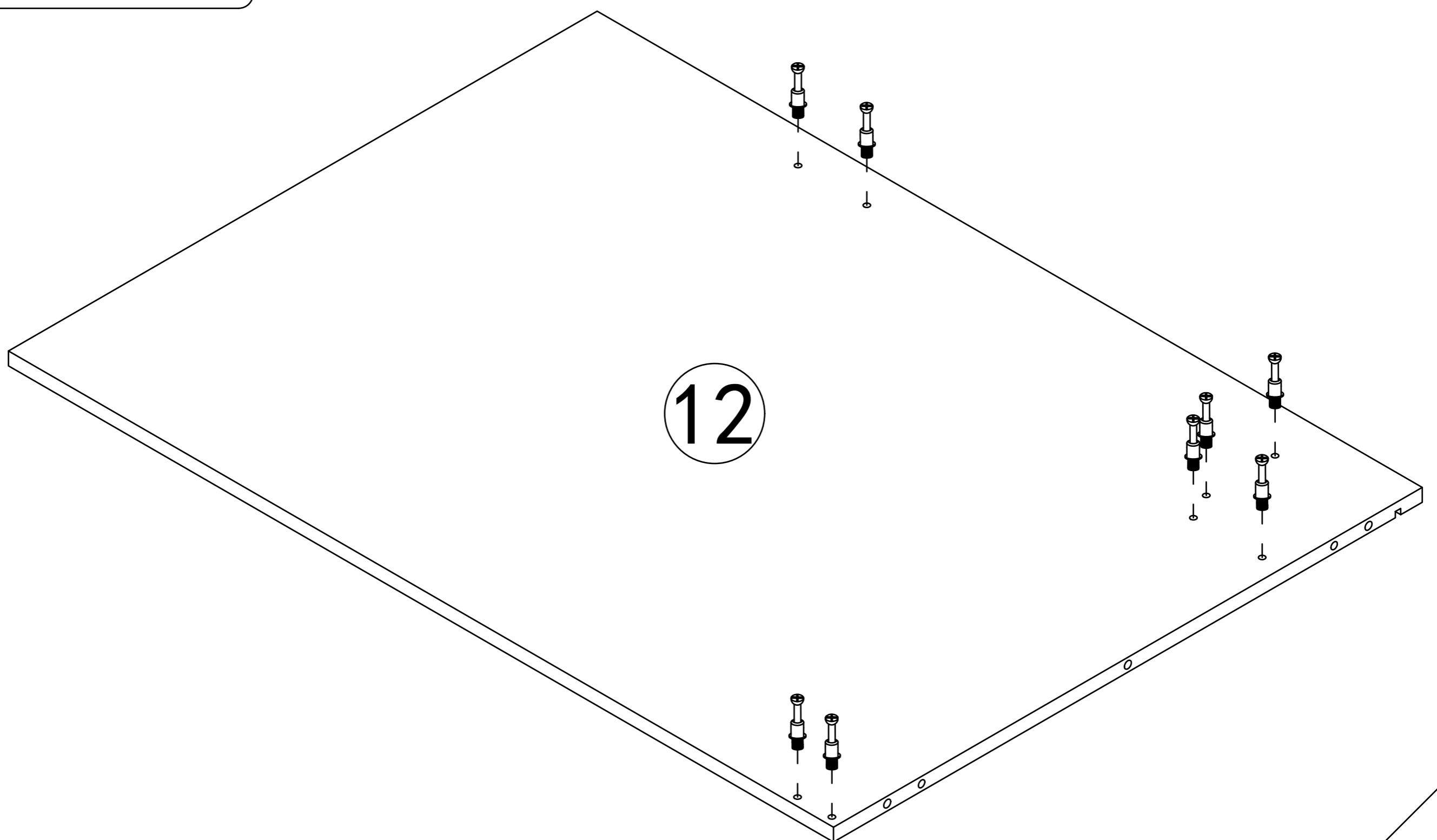
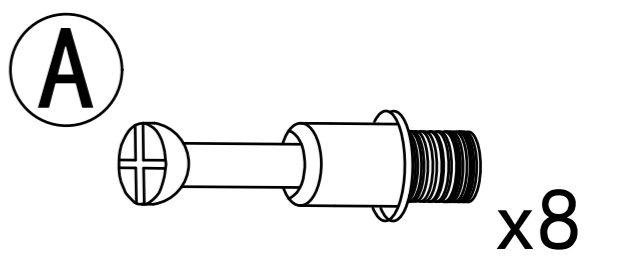
This hole is for strengthening fixed hole customers can choose to install according to their needs.

15

Step 16

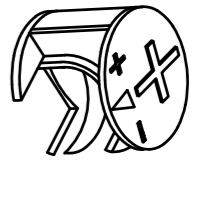


Step 17

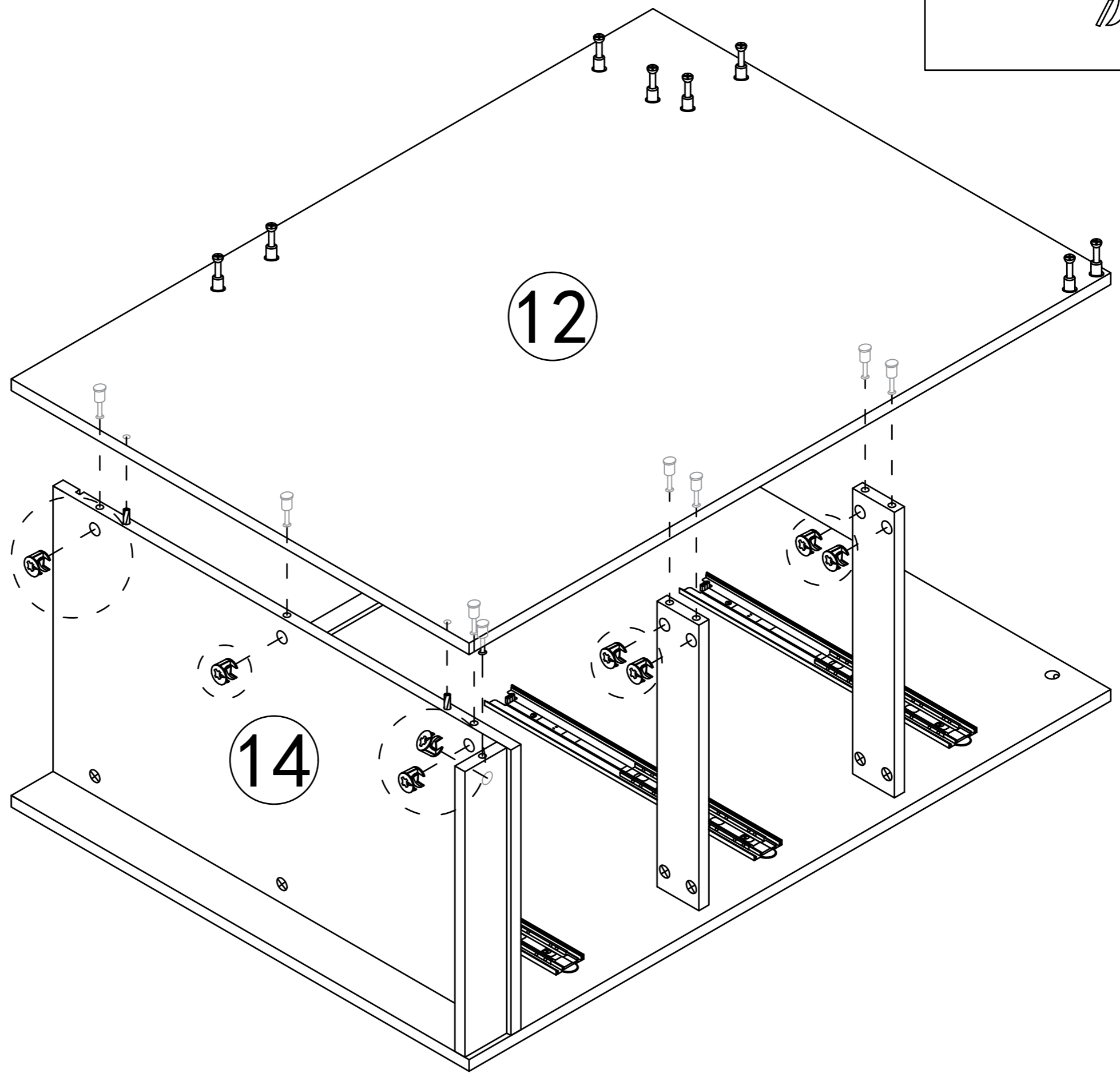


Step 18

B

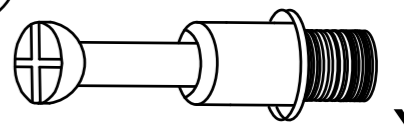


x8

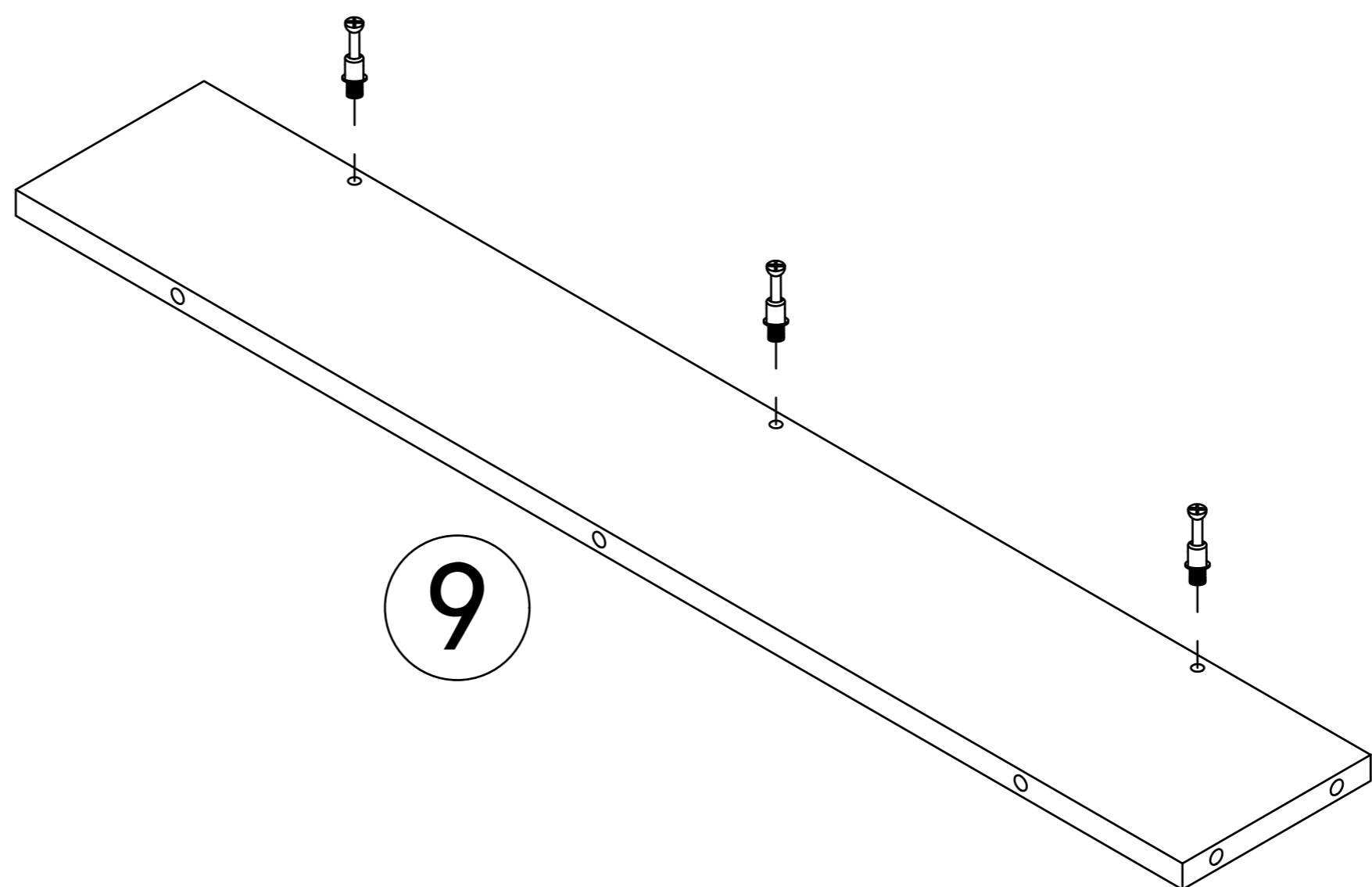


Step 19

A



x3



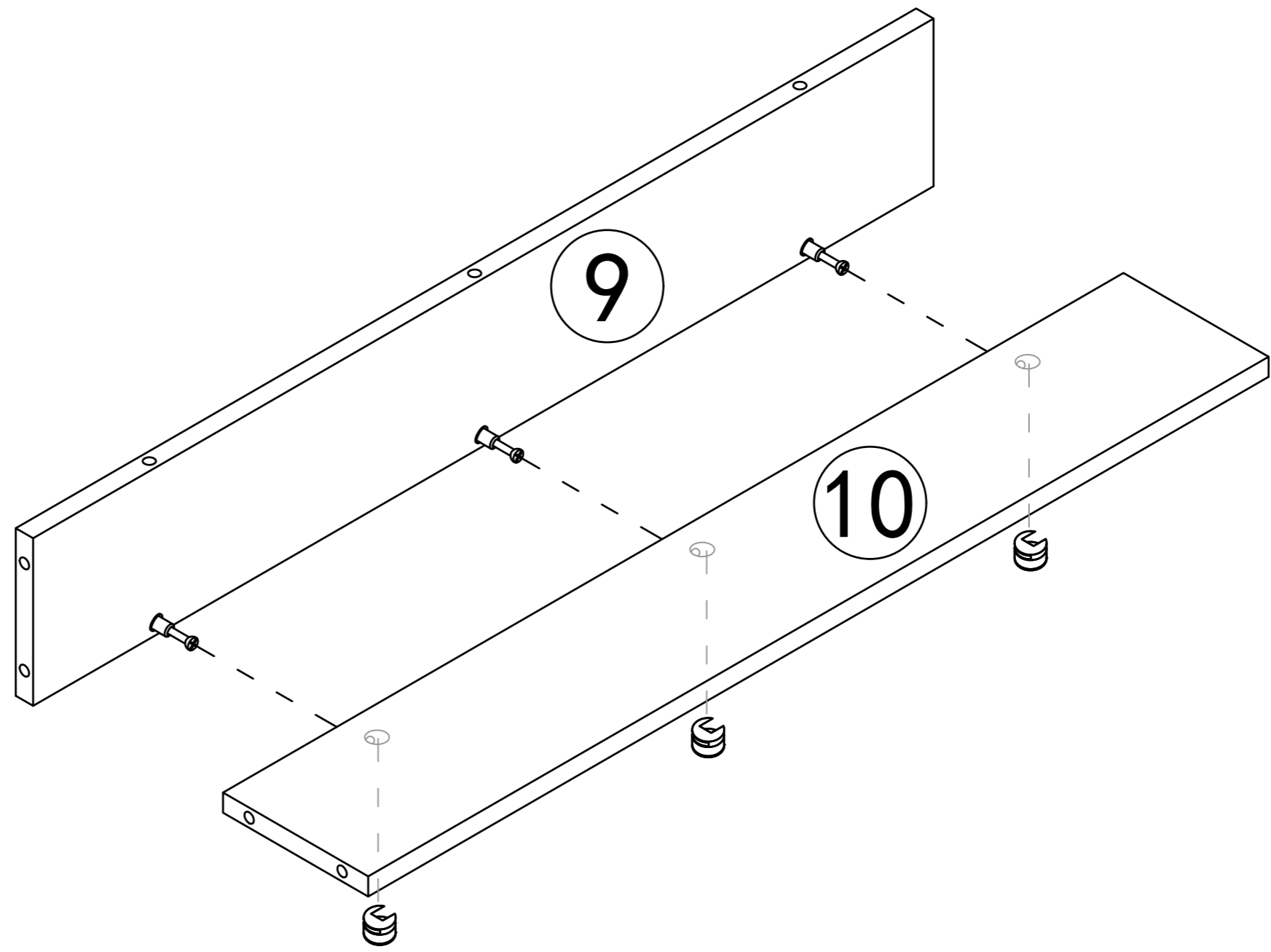
17

Step 20

B

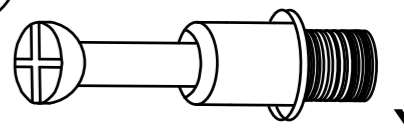


x3

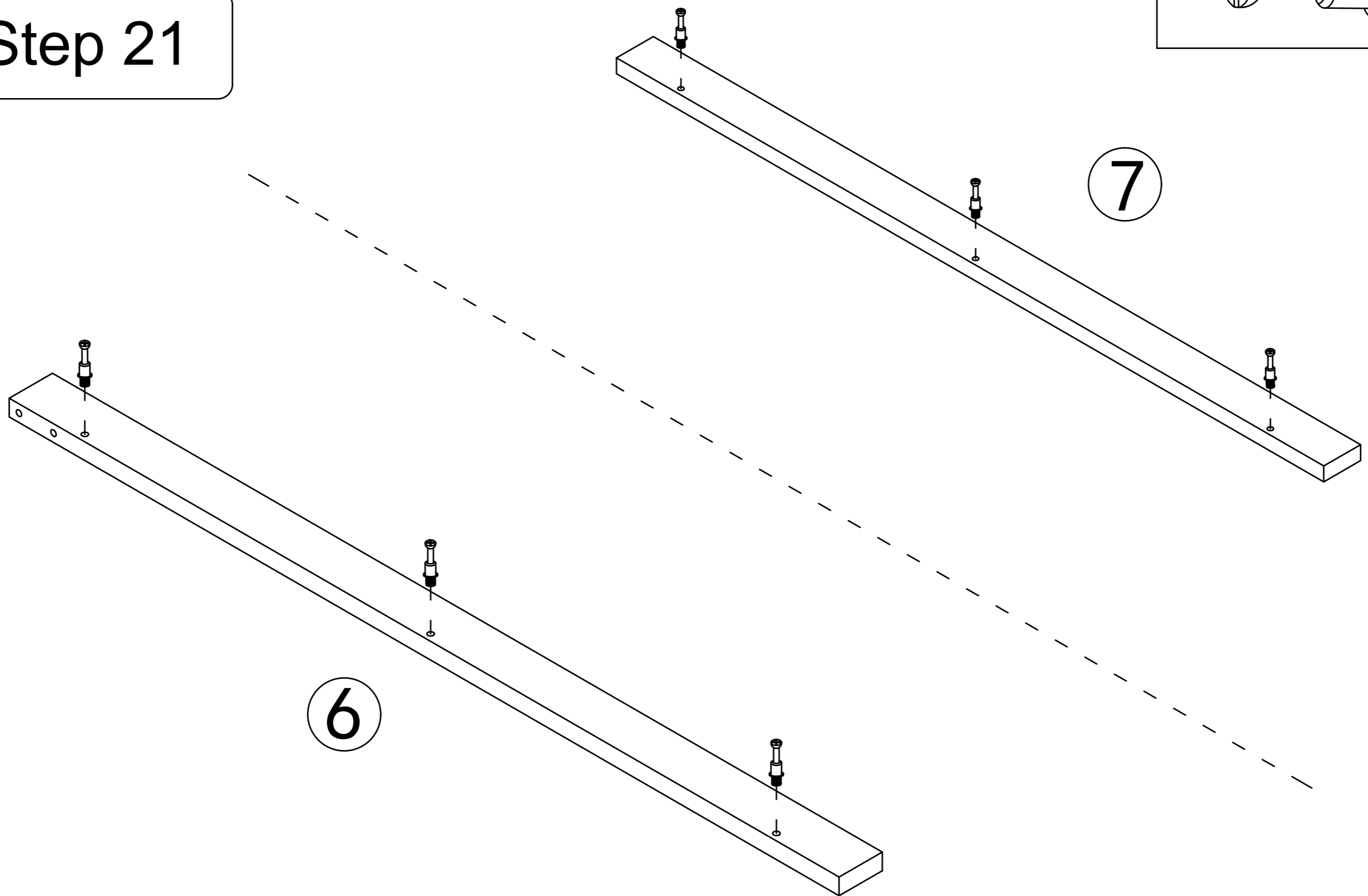


Step 21

A



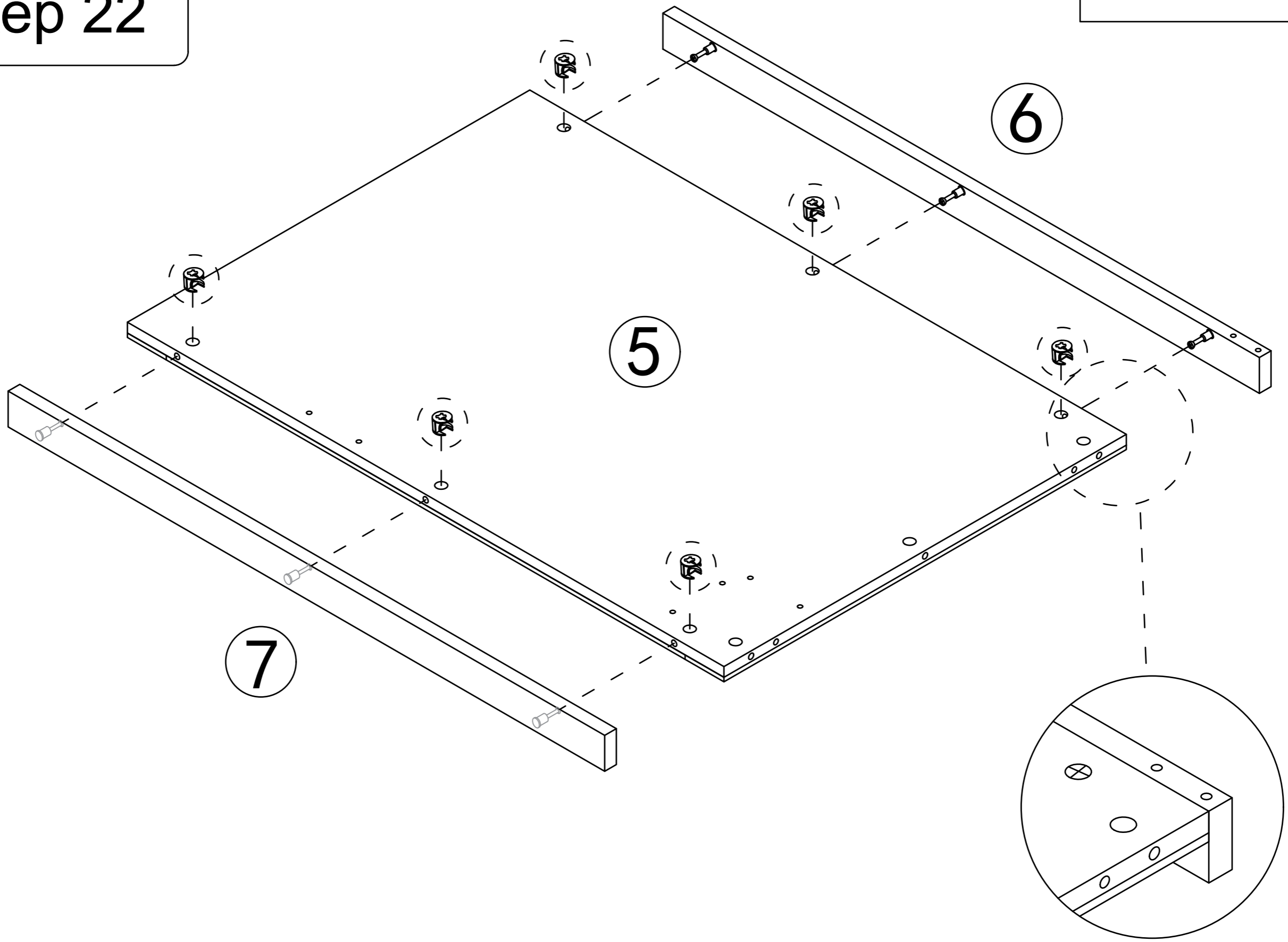
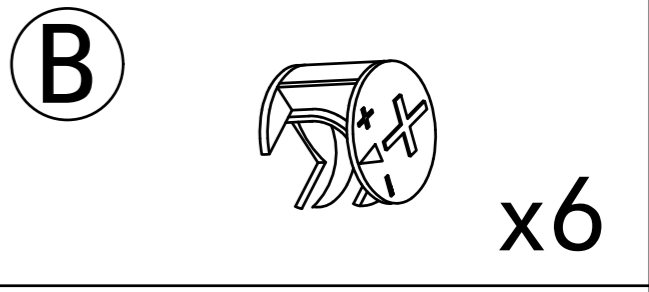
x6



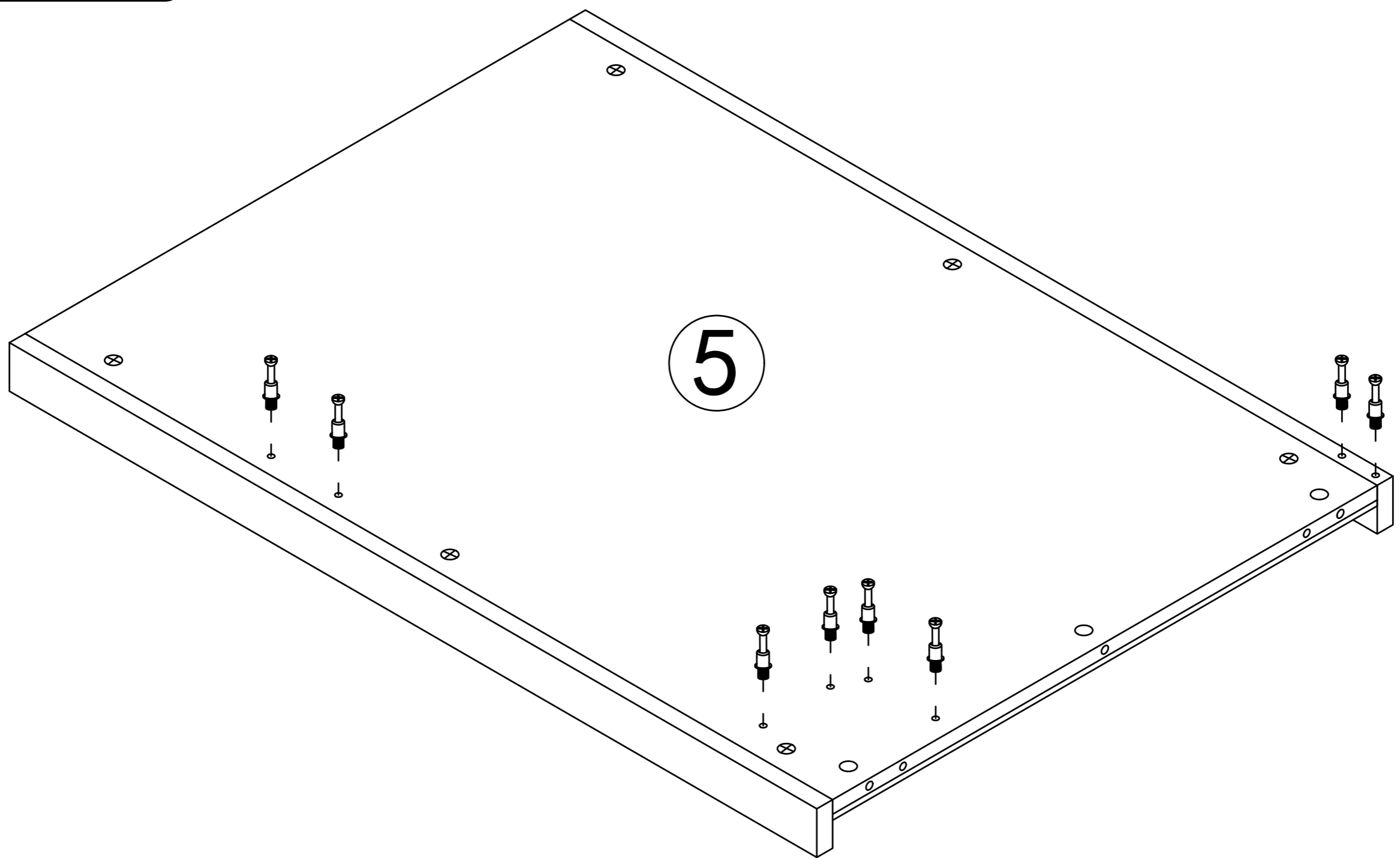
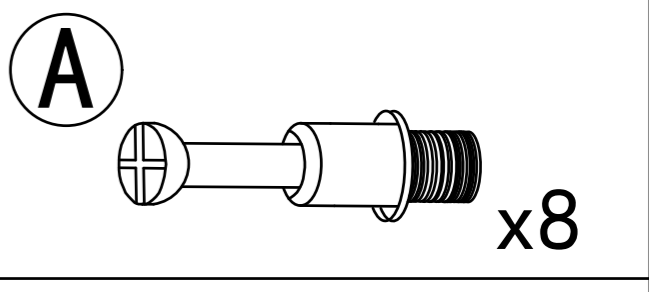
18

SY

Step 22



Step 23

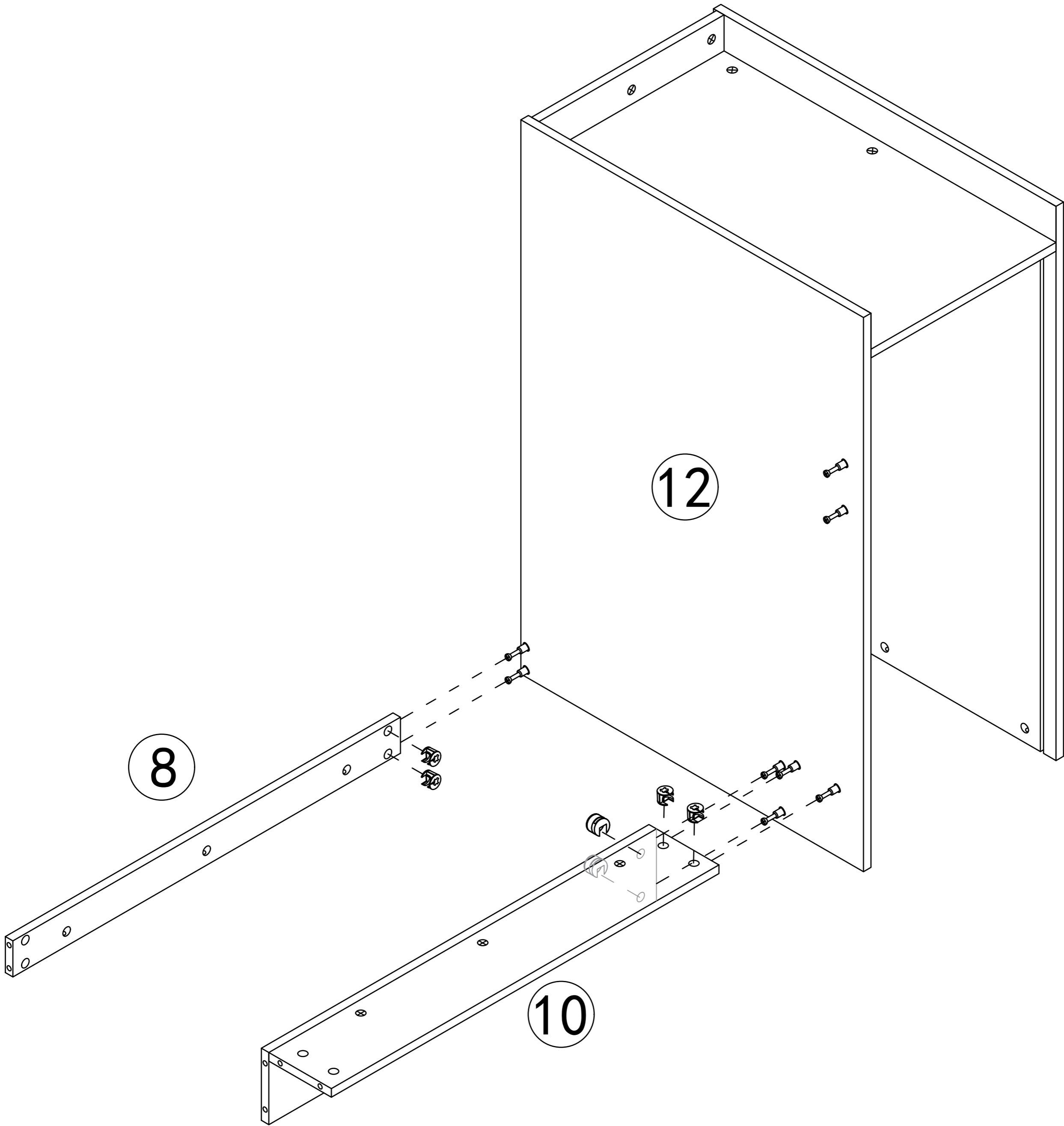


Step 24

B



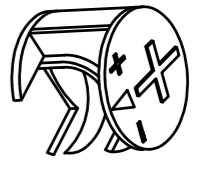
x6



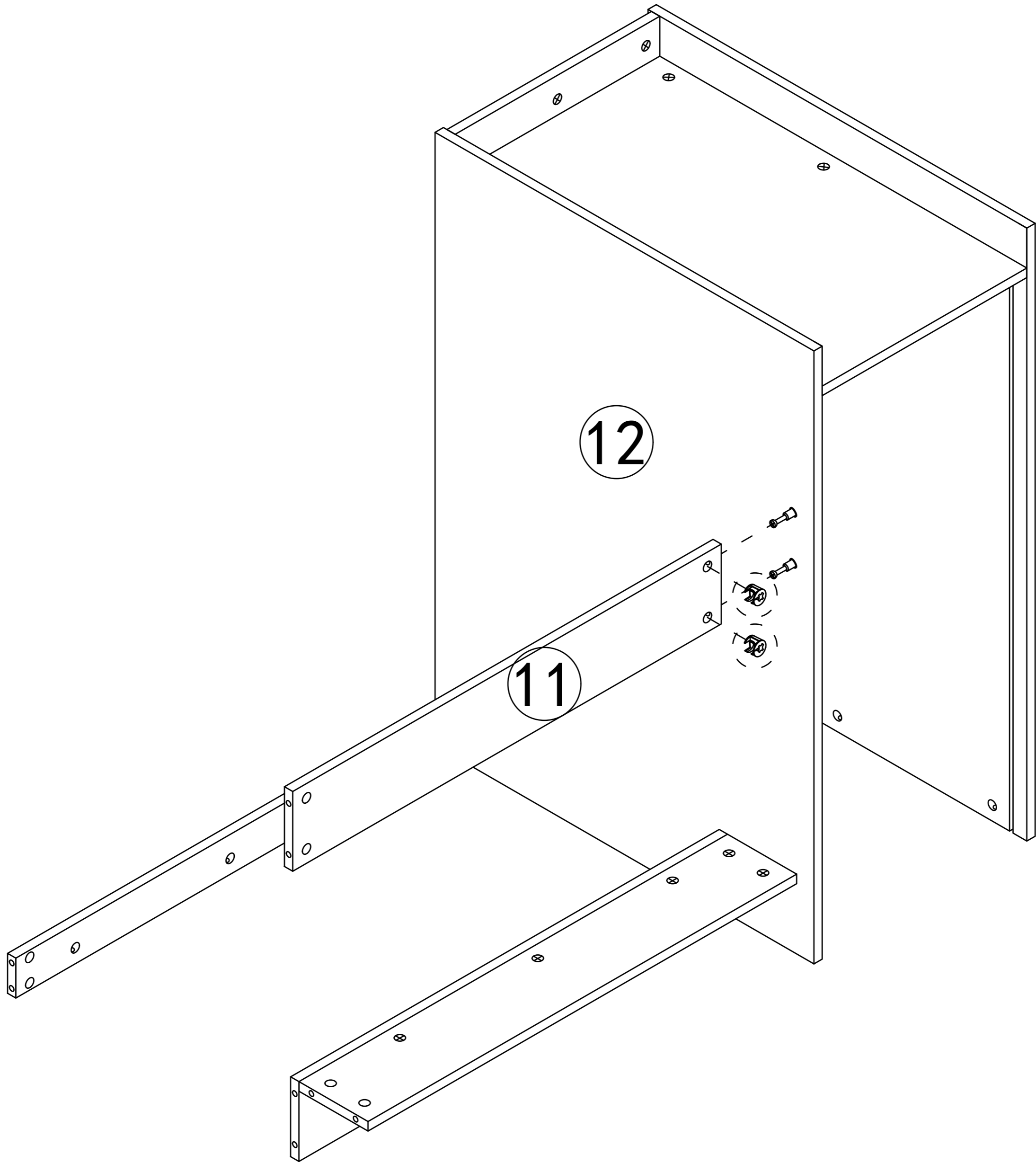
20

Step 25


B

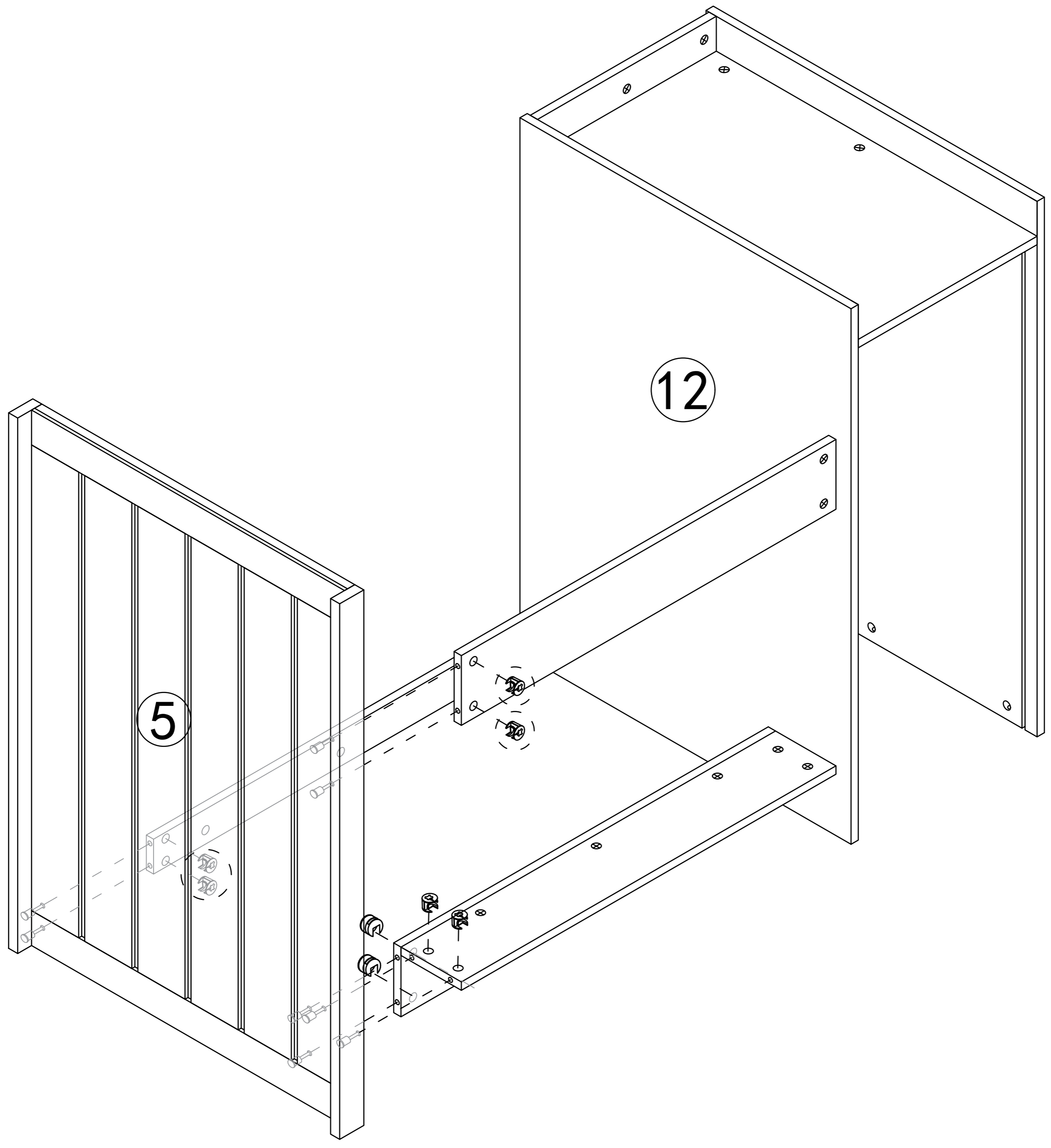


x2

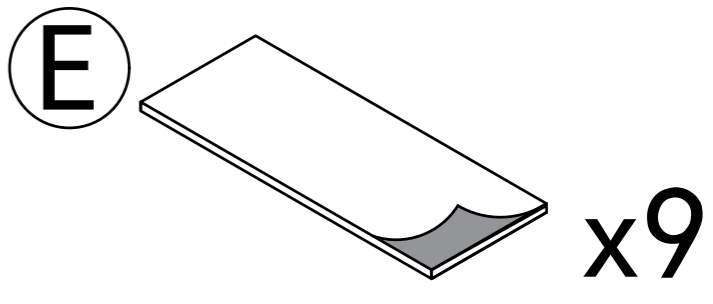


Step 26

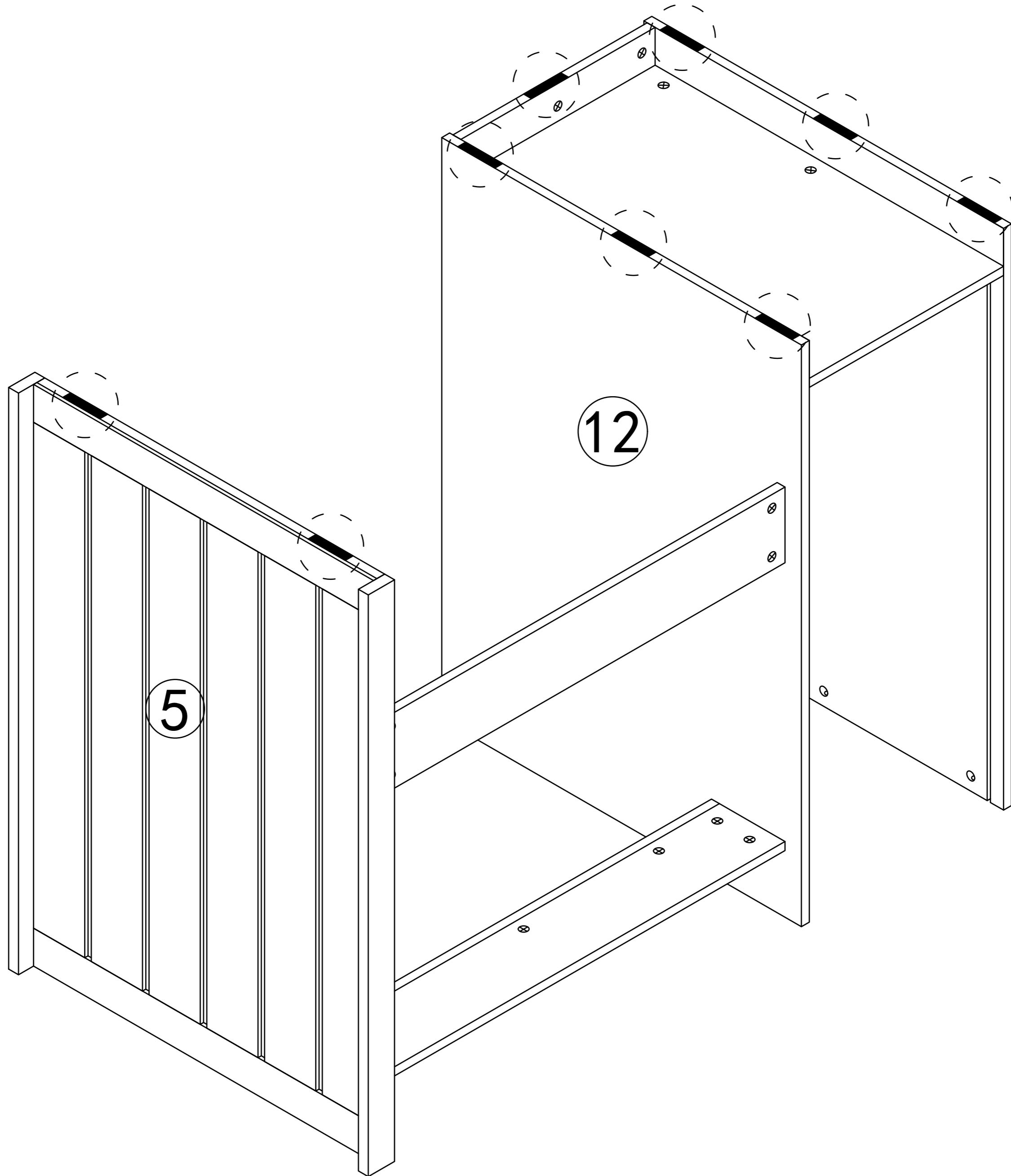
B  x8



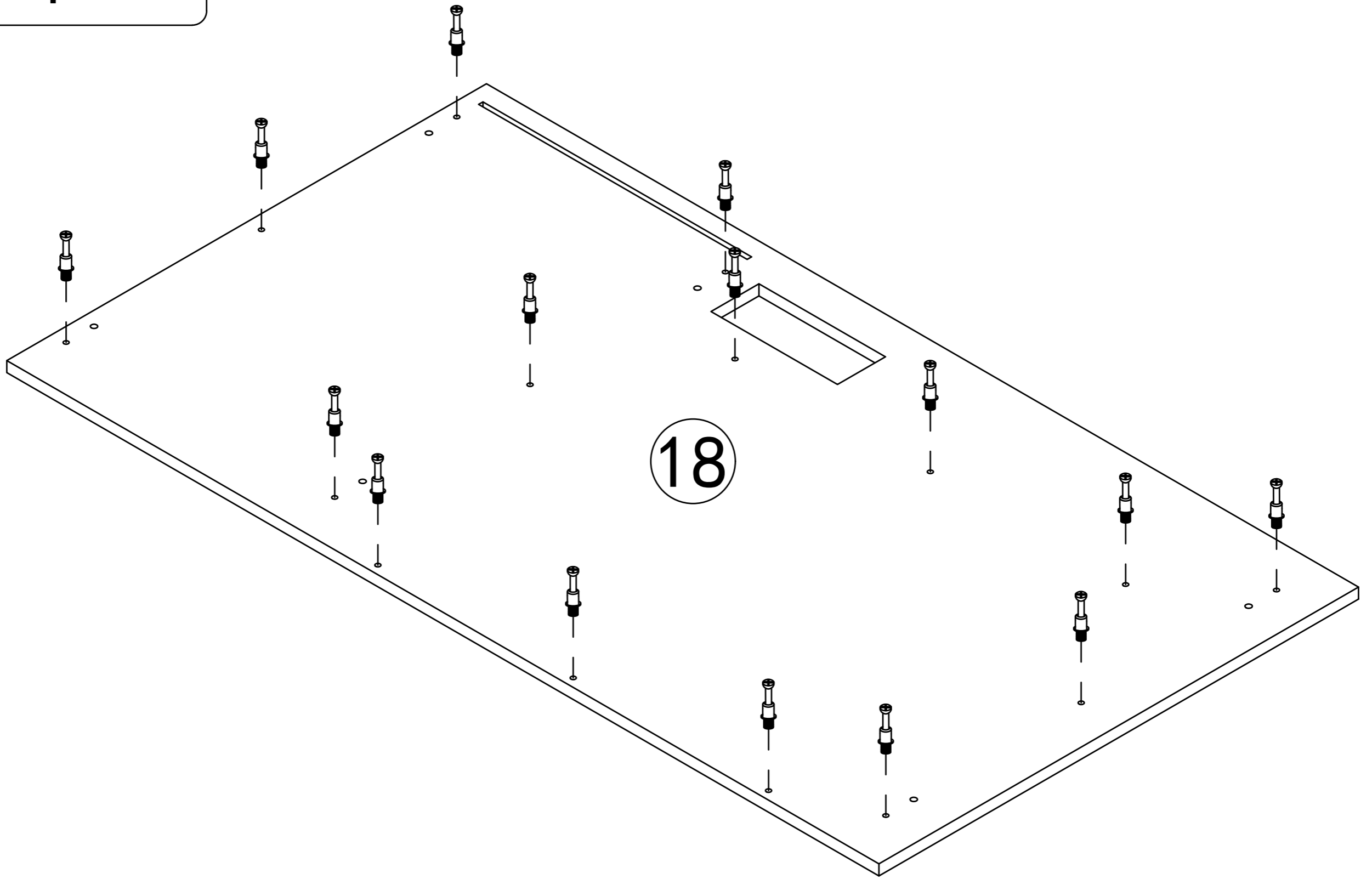
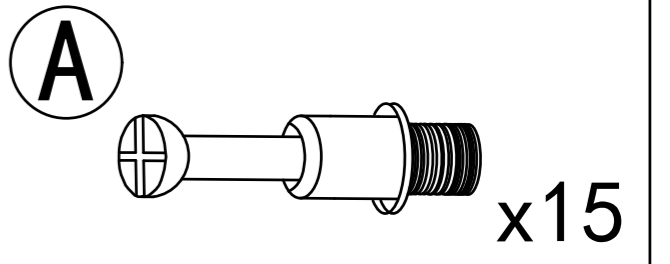
Step 27



Tear off release paper and stick the black foot pad on the board

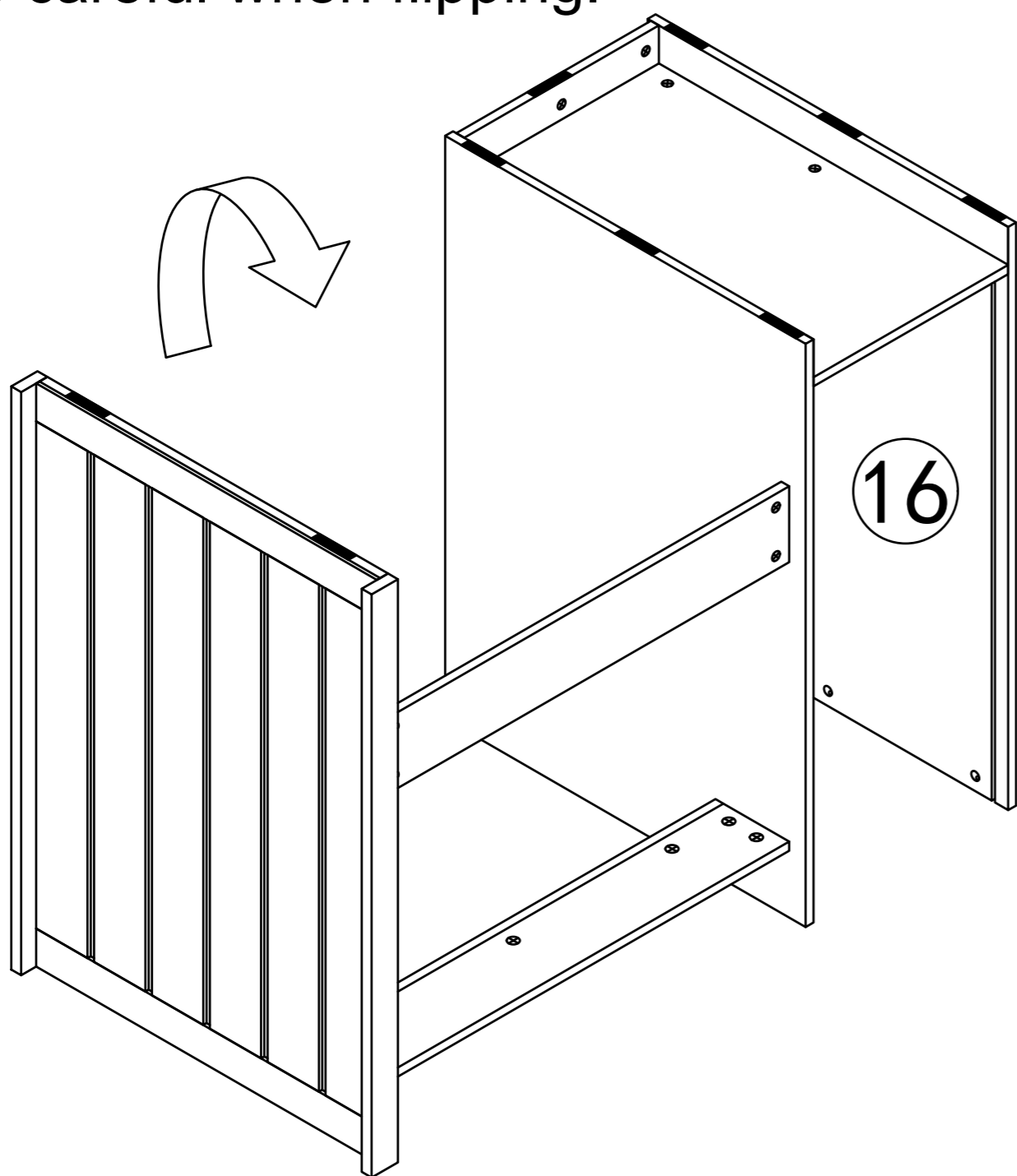


Step 28

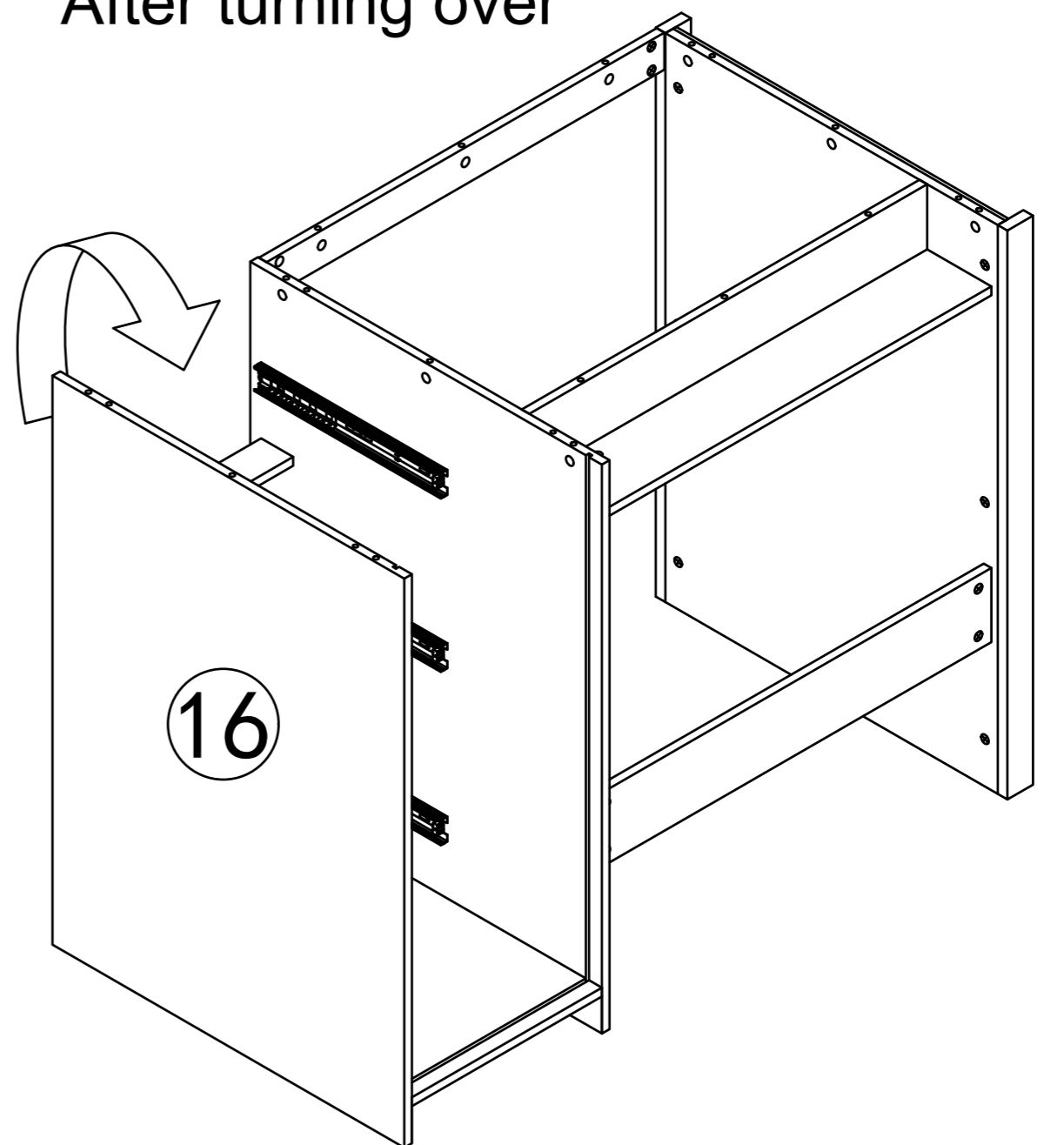


Step 29

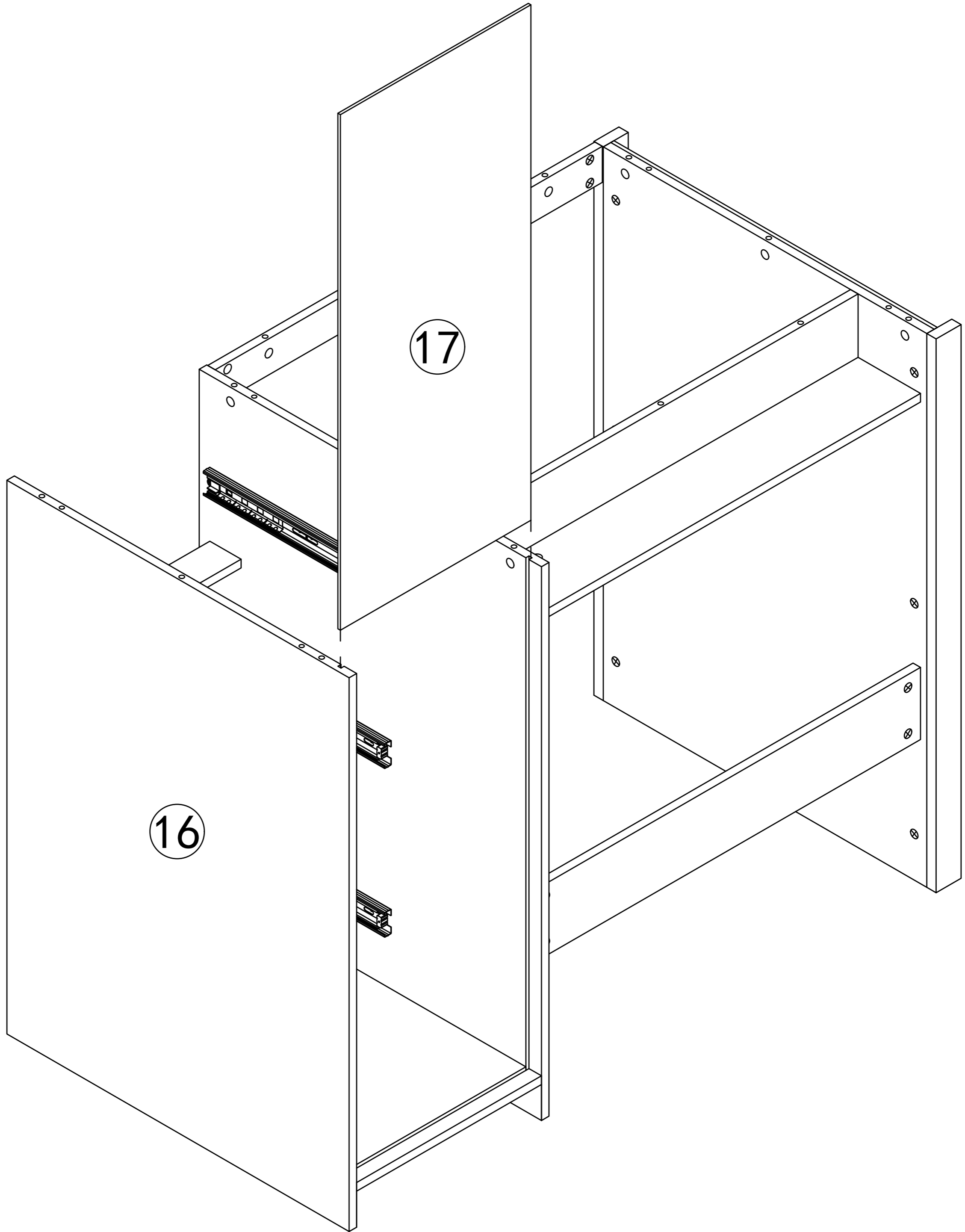
Be careful when flipping.



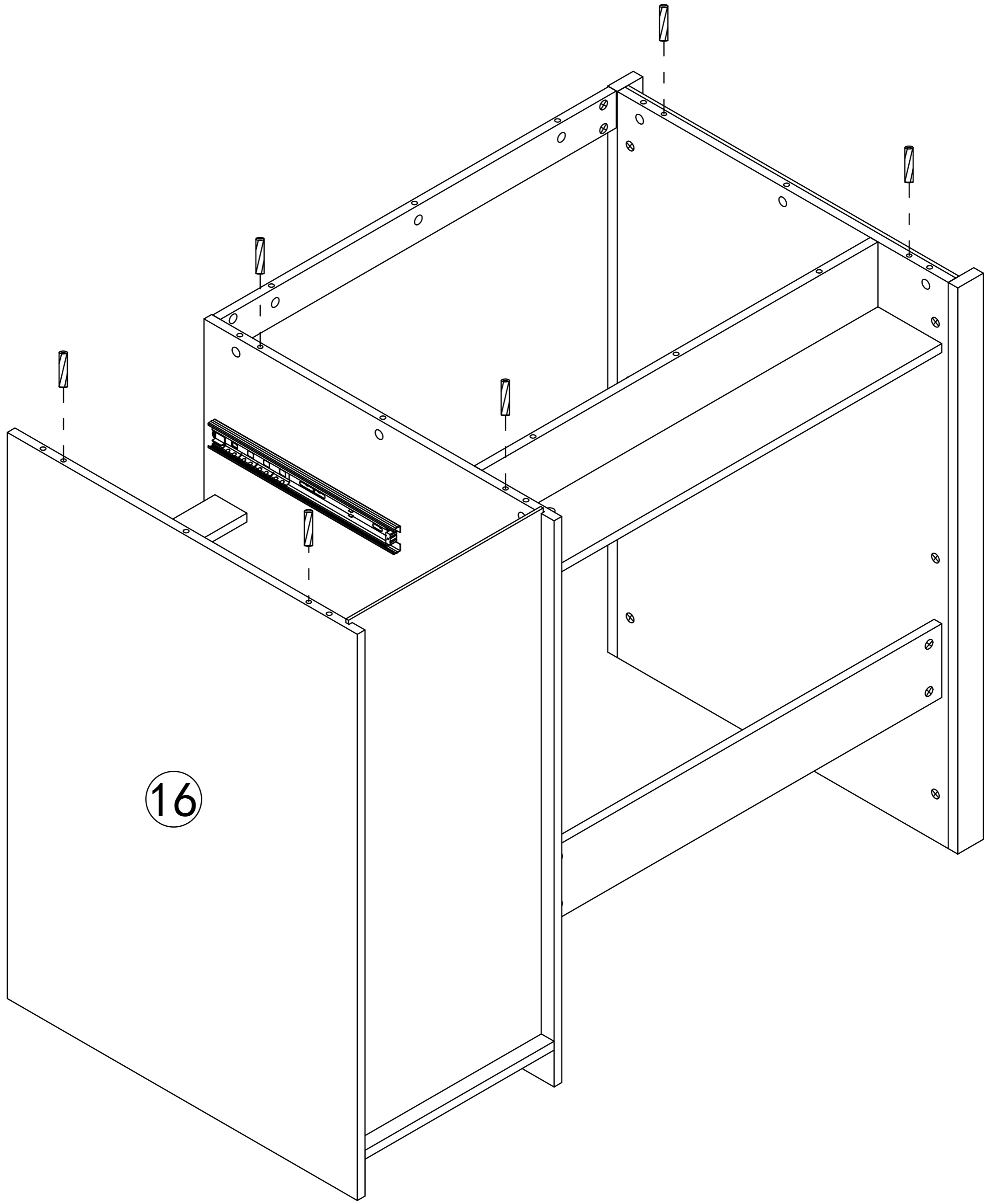
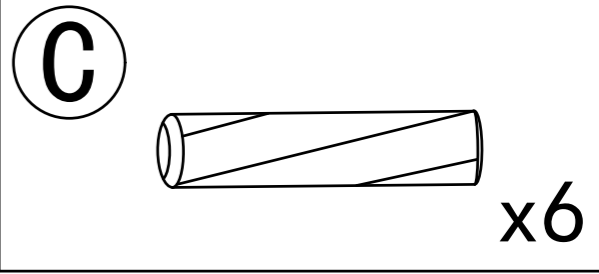
After turning over




Step 30

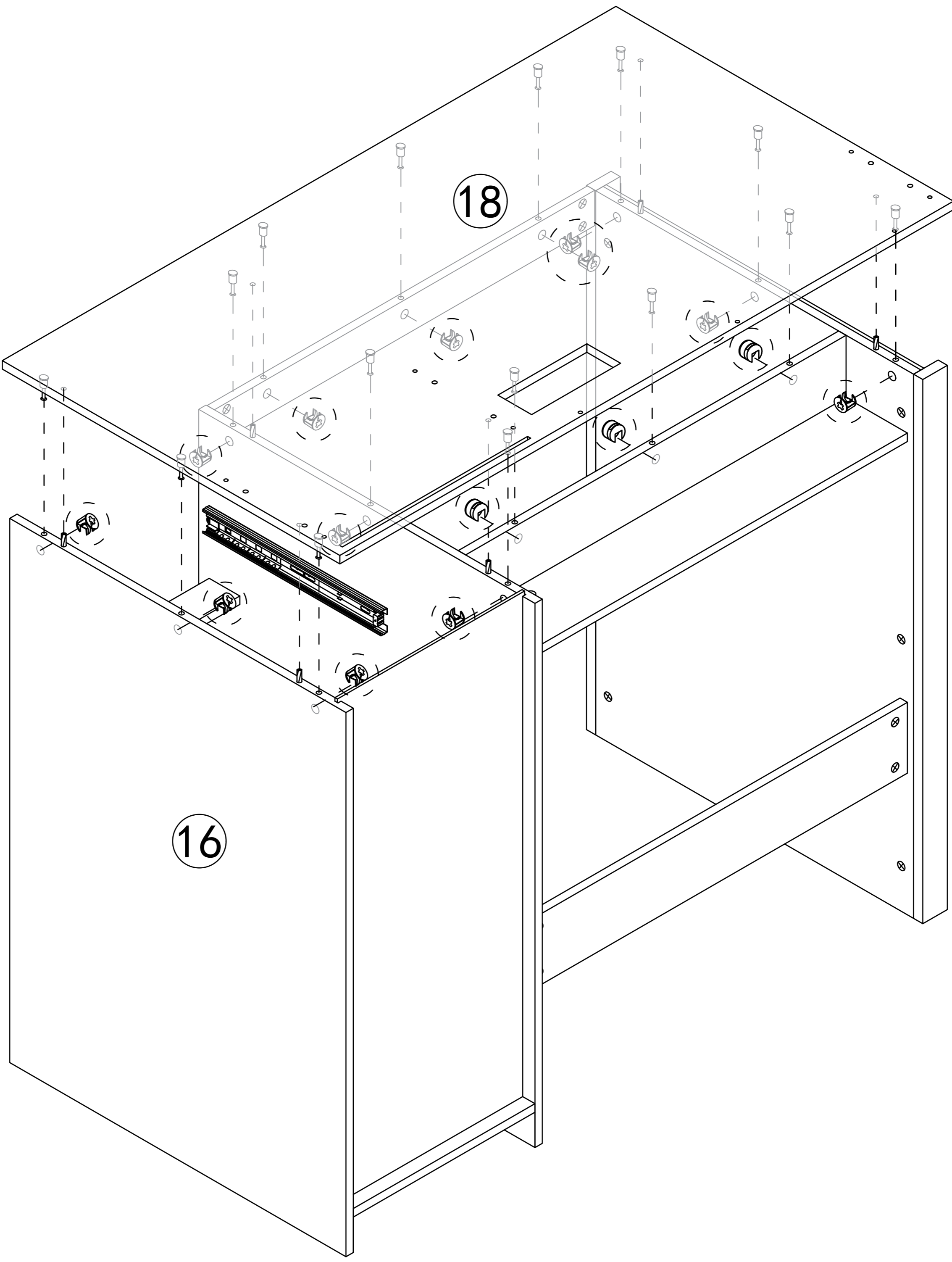


Step 31

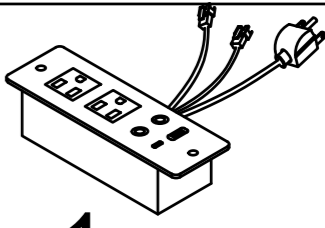



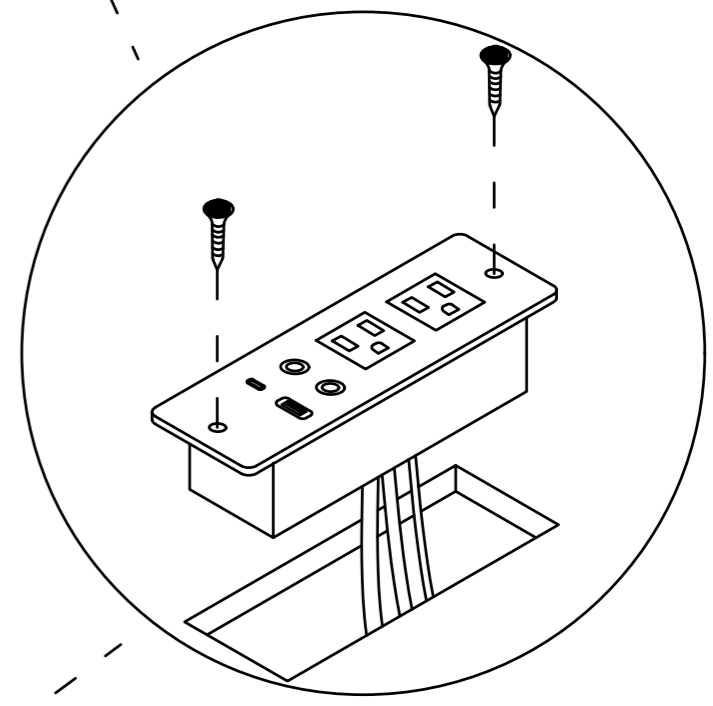
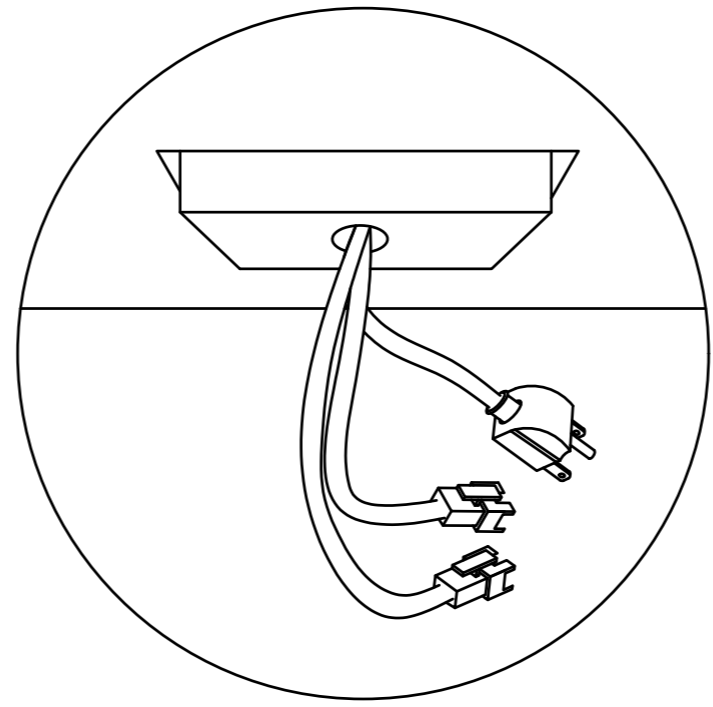
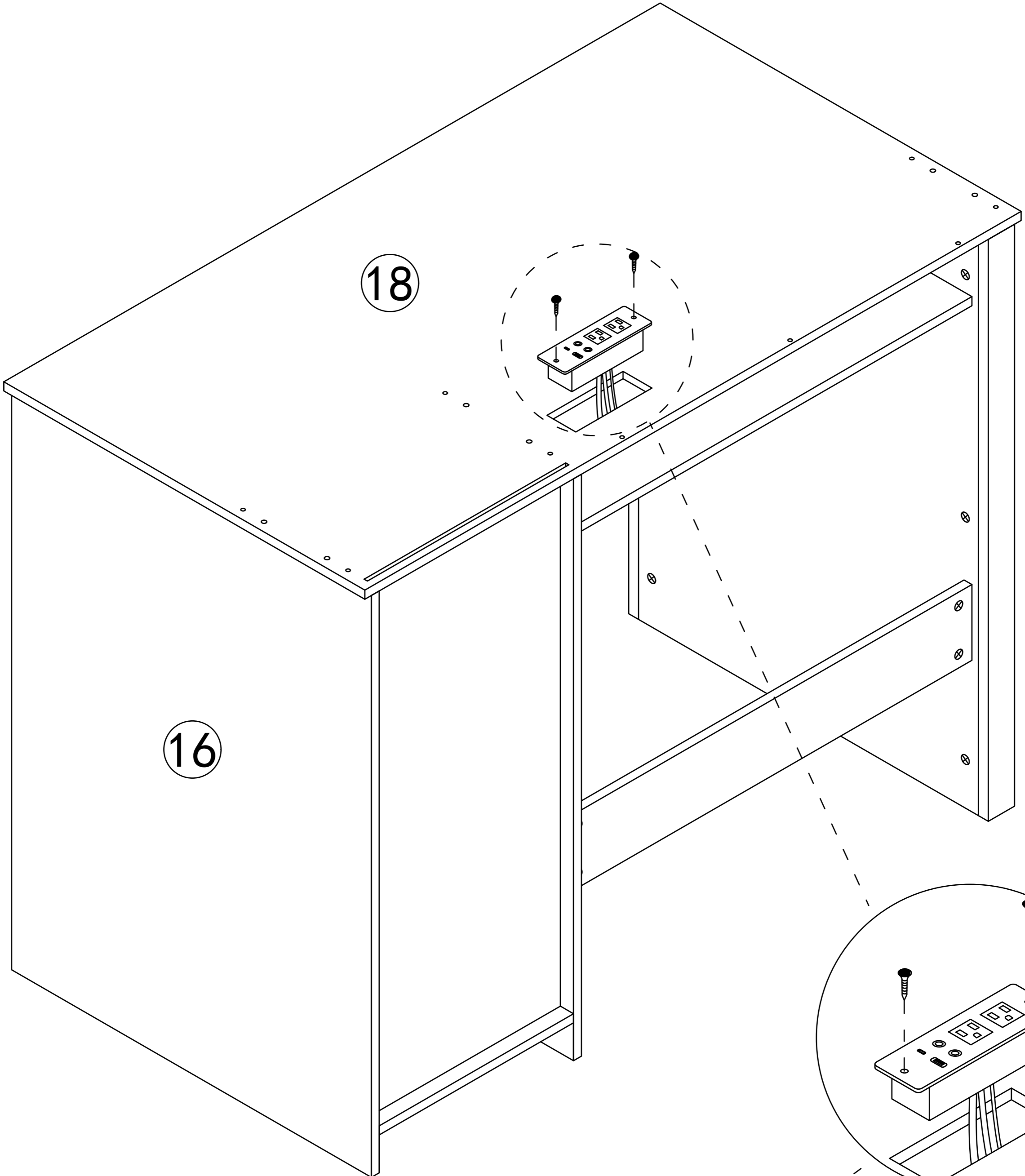
Step 32

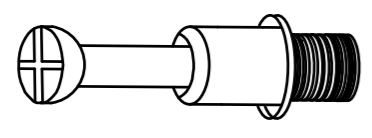


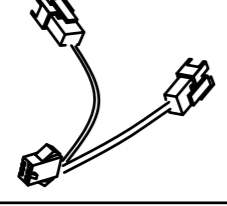
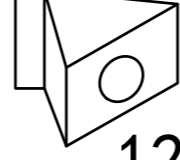

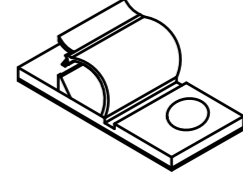
B  x15

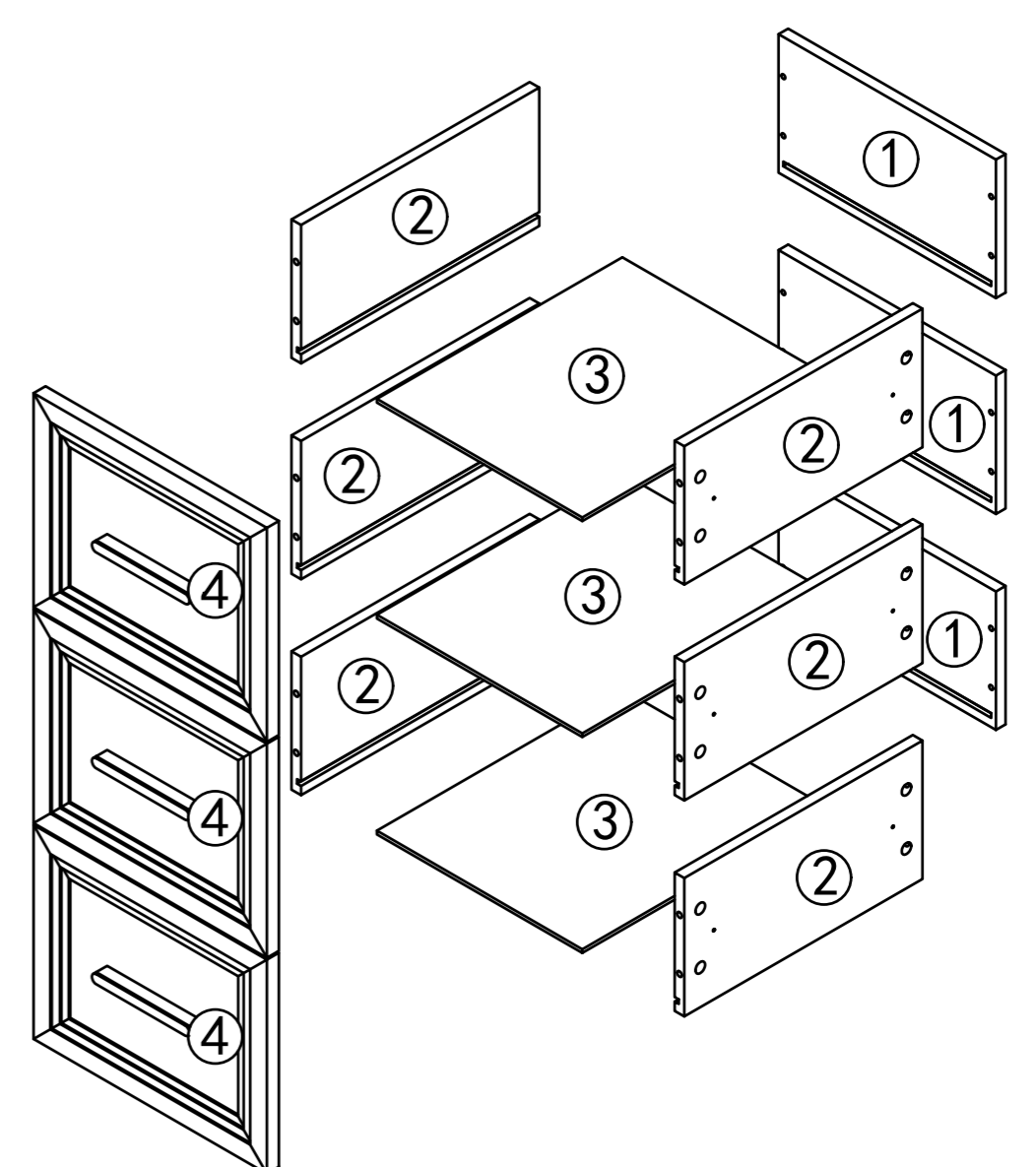
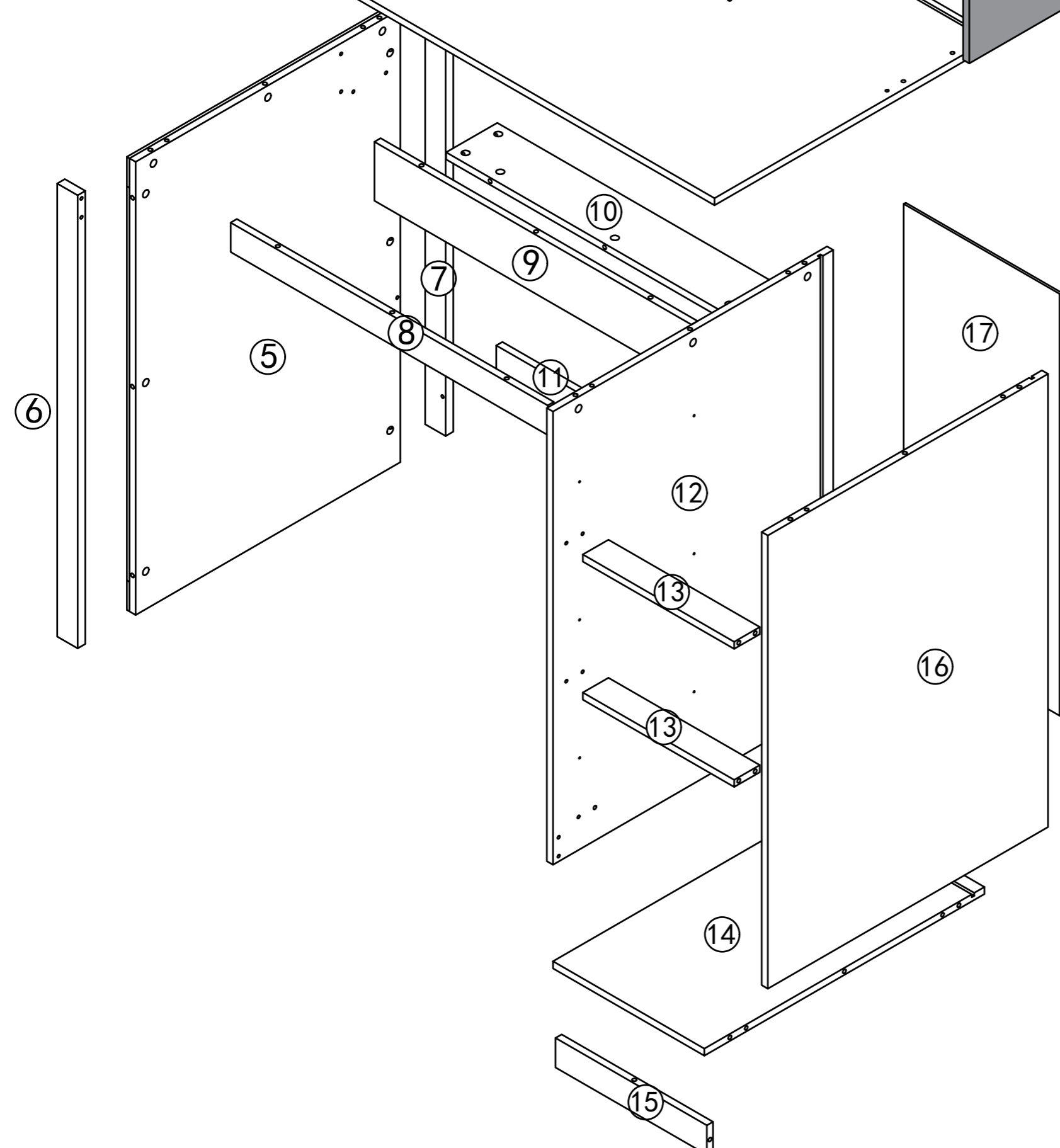
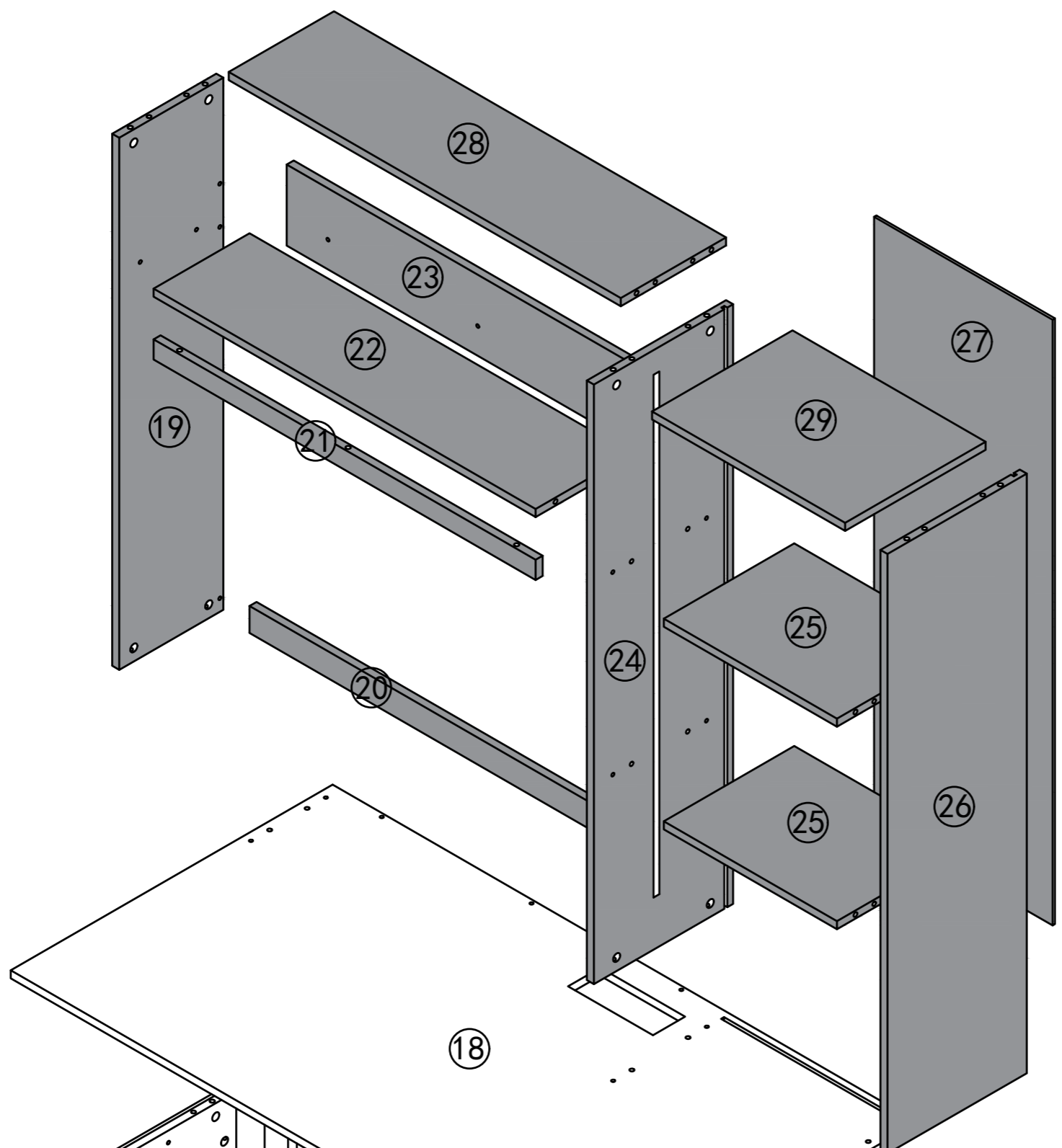


Step 33

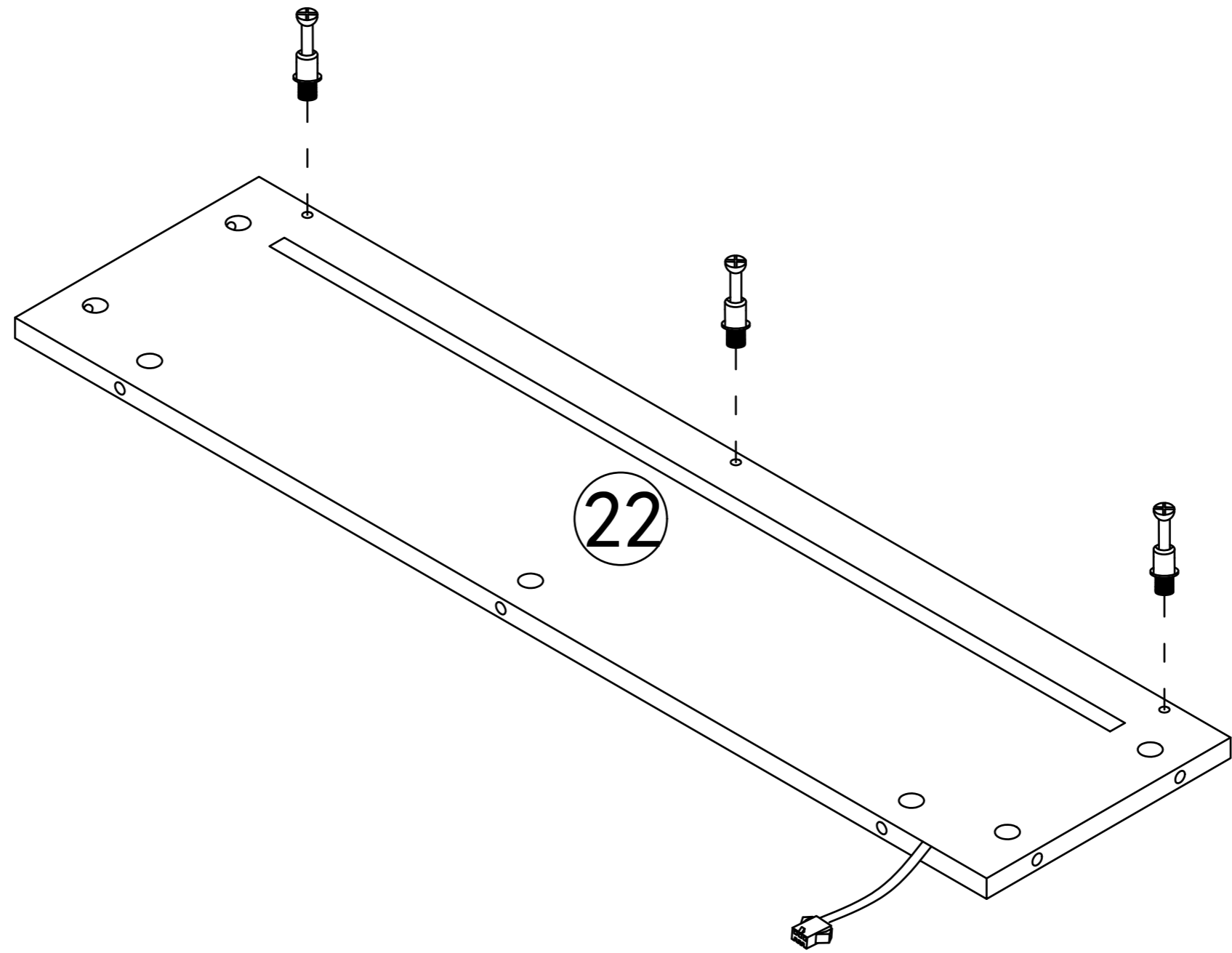
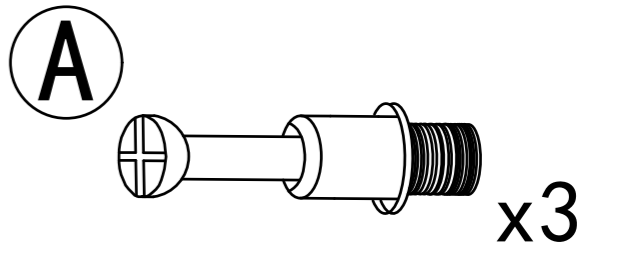
(J)  x1  x2



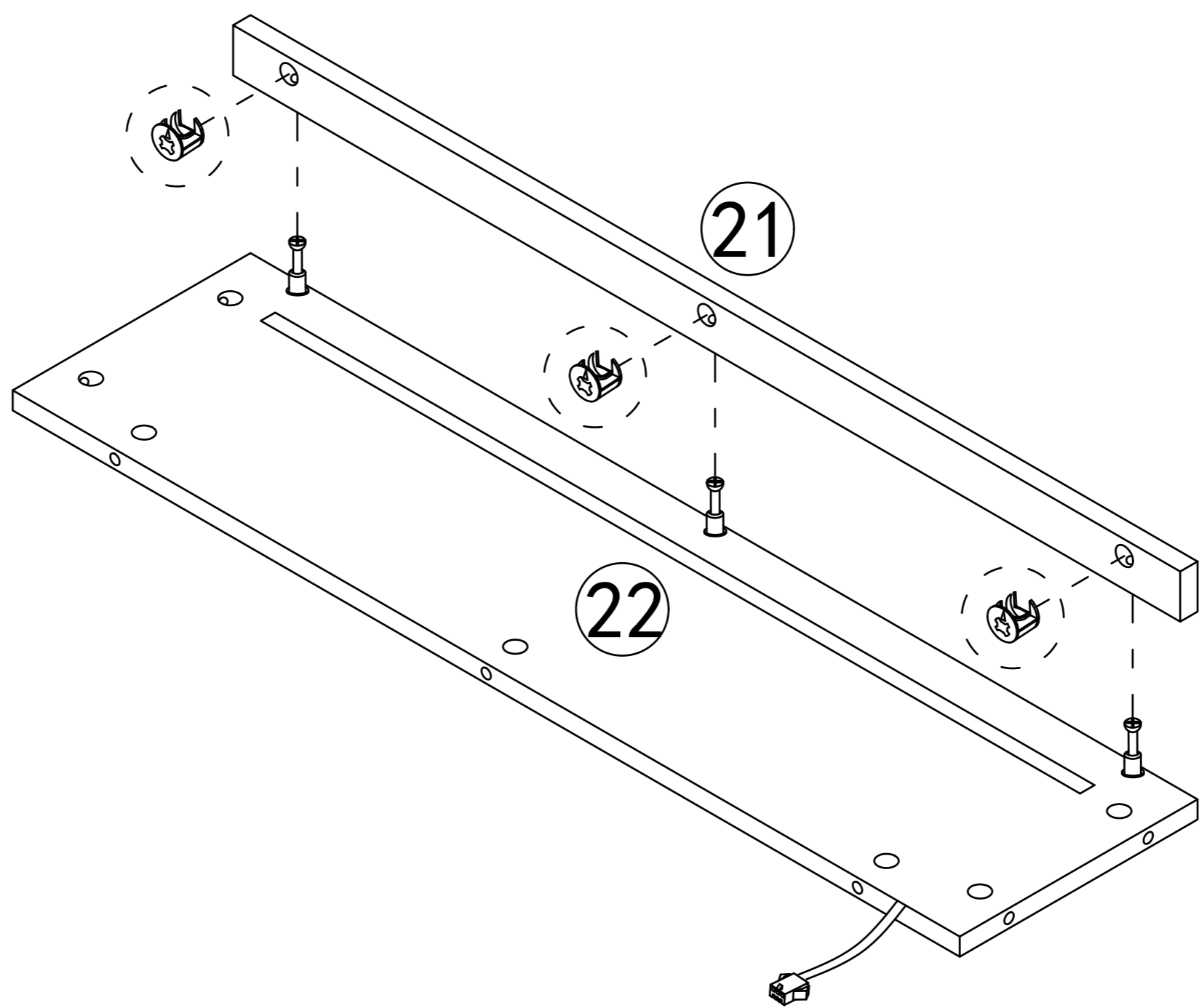
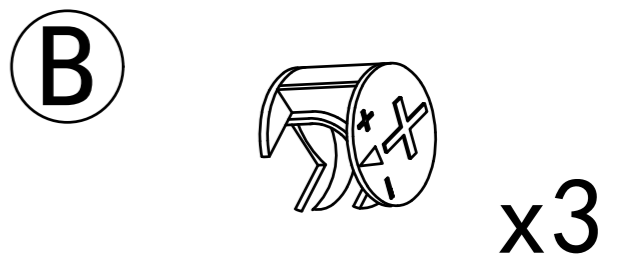
A		41pcs	B		41pcs	C		22pcs
G		1pcs	H			I		2pcs



Step 34

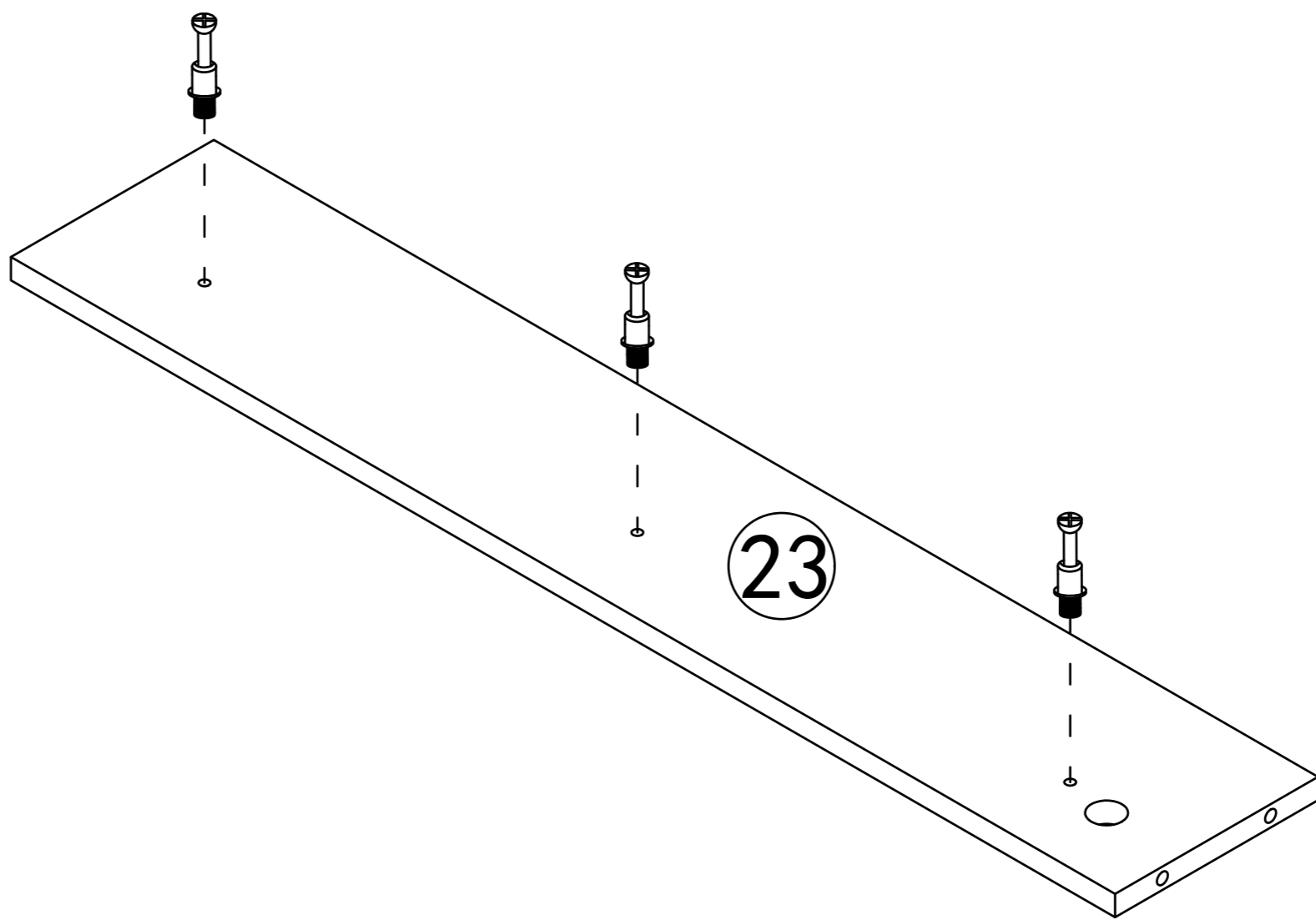
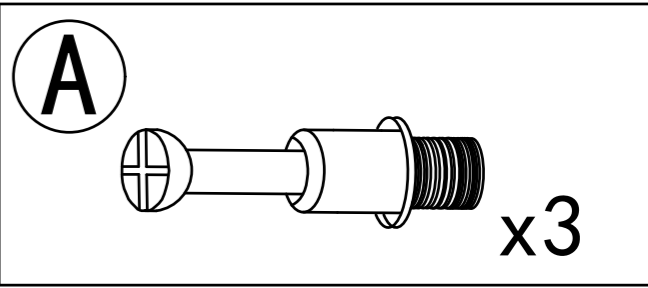


Step 35

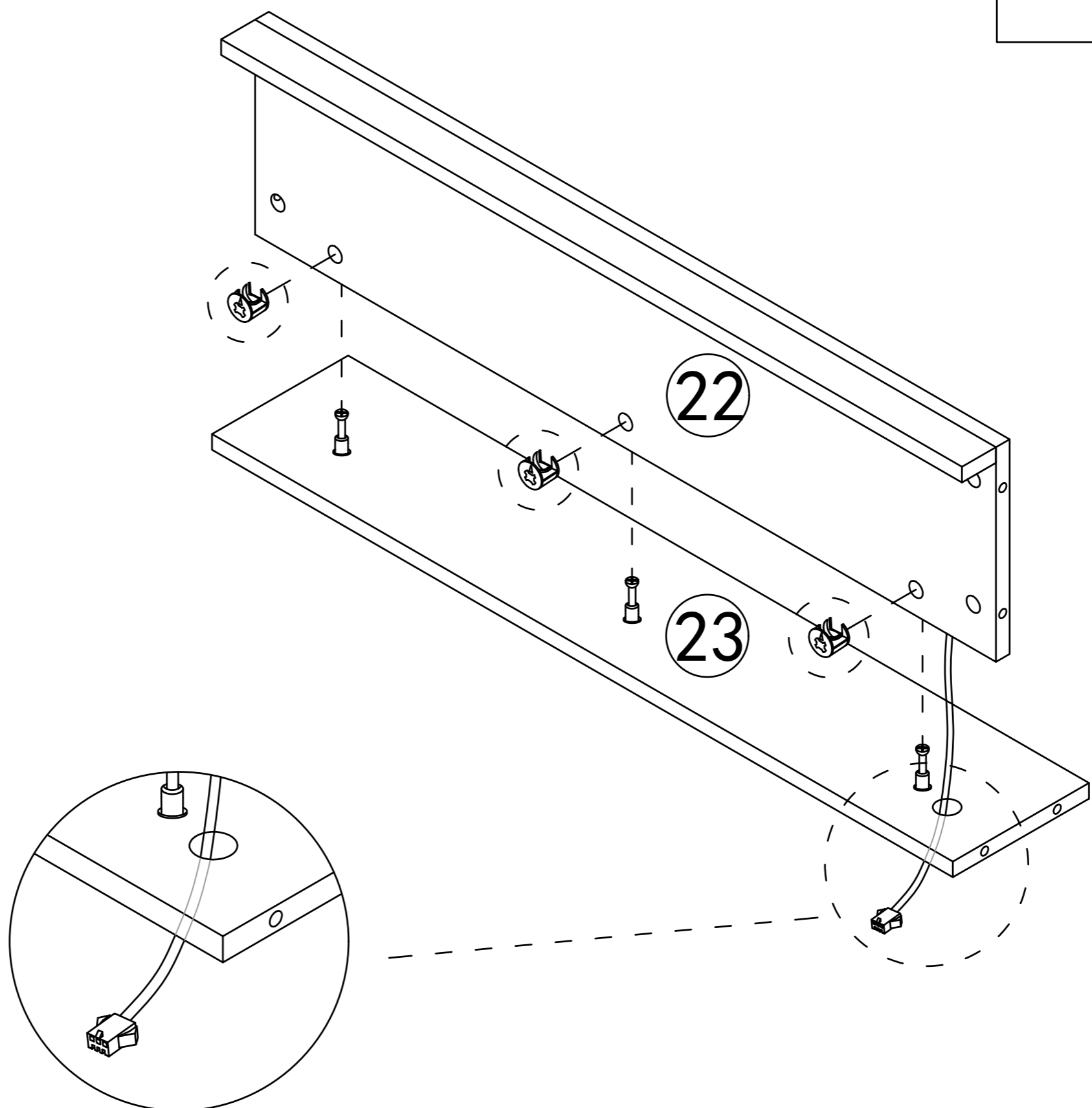
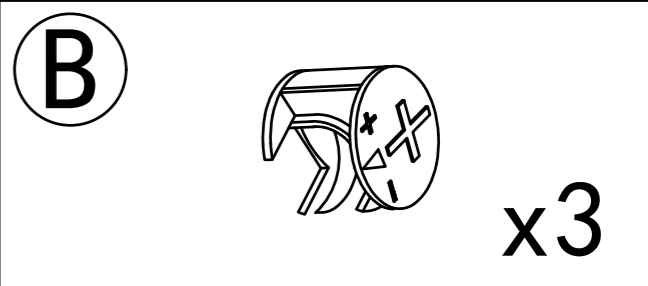


30

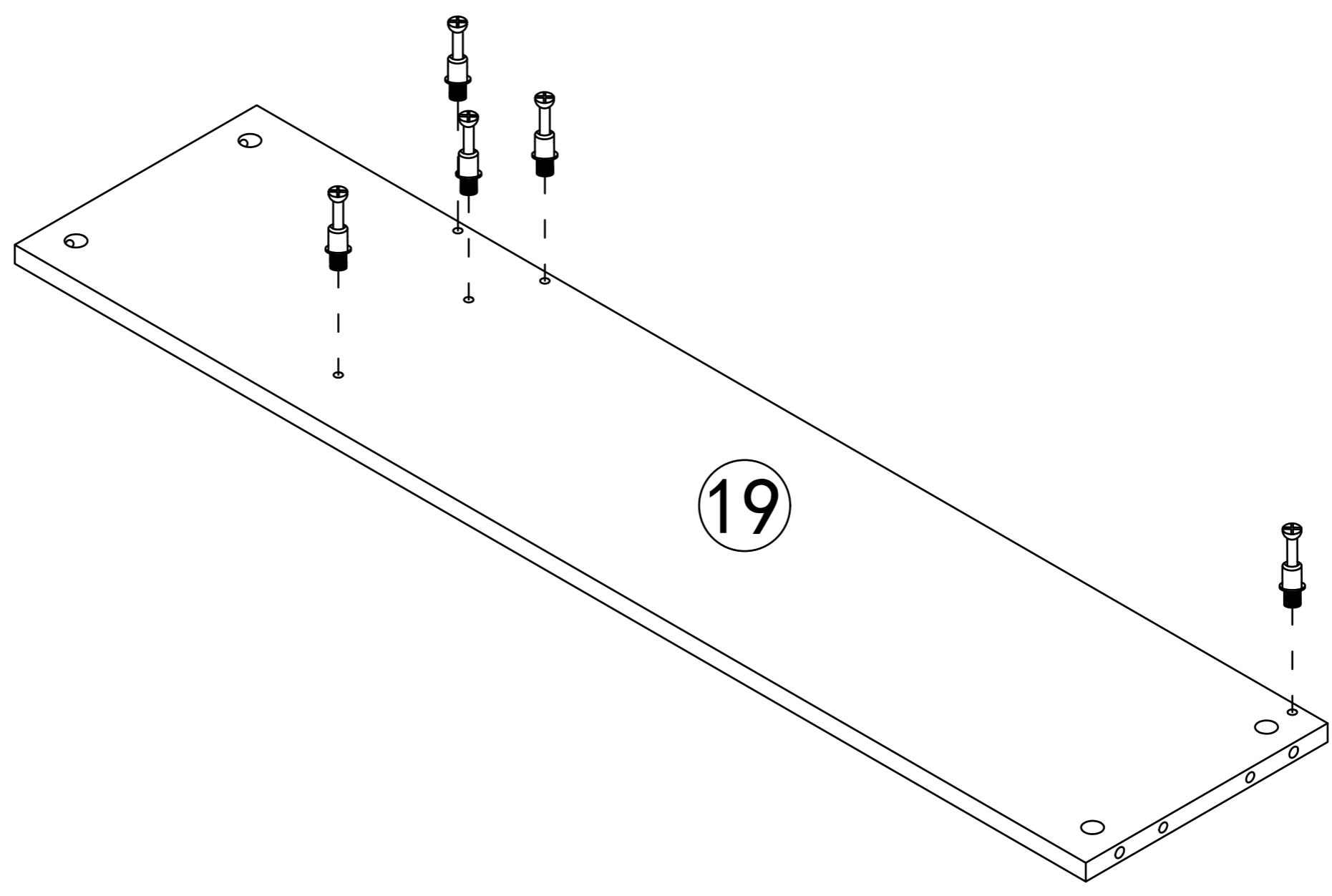
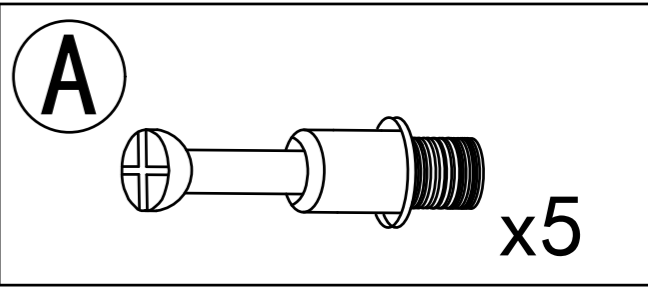
Step 36



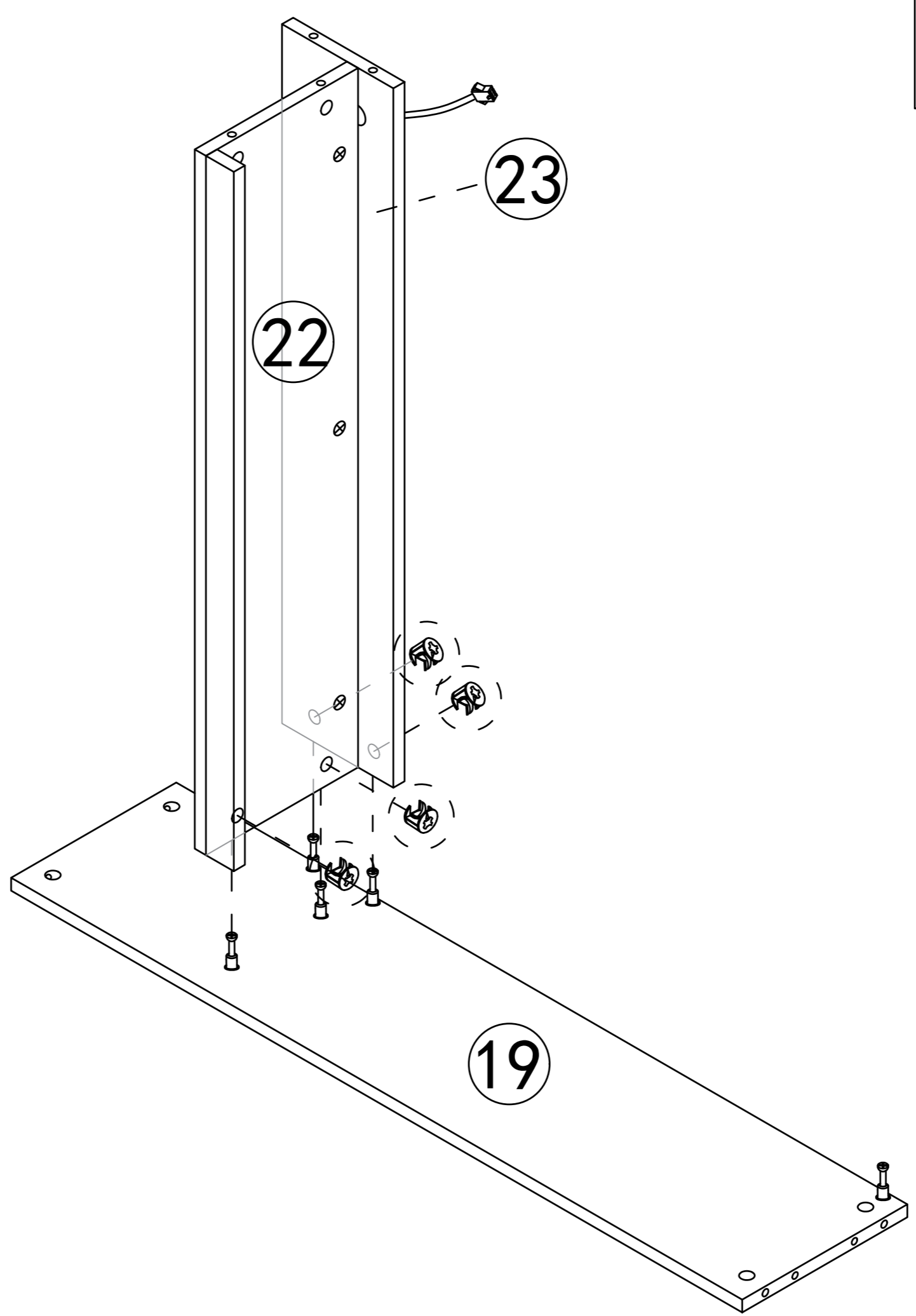
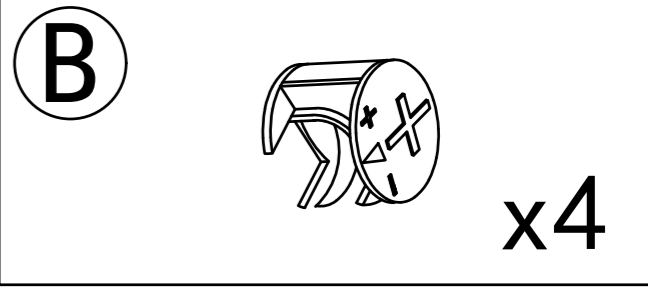
Step 37



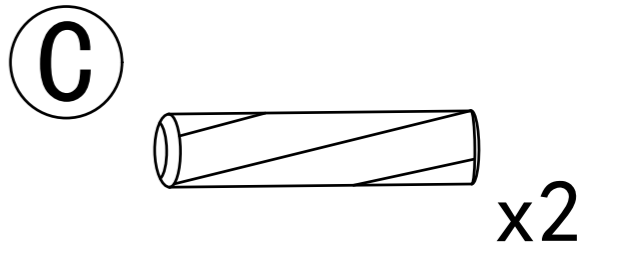
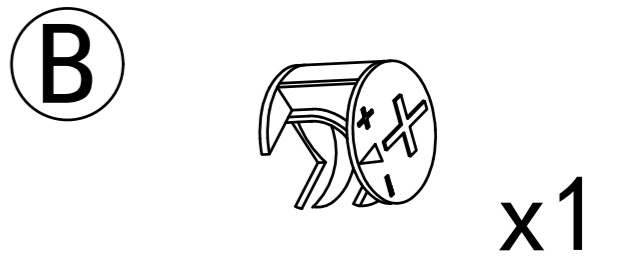
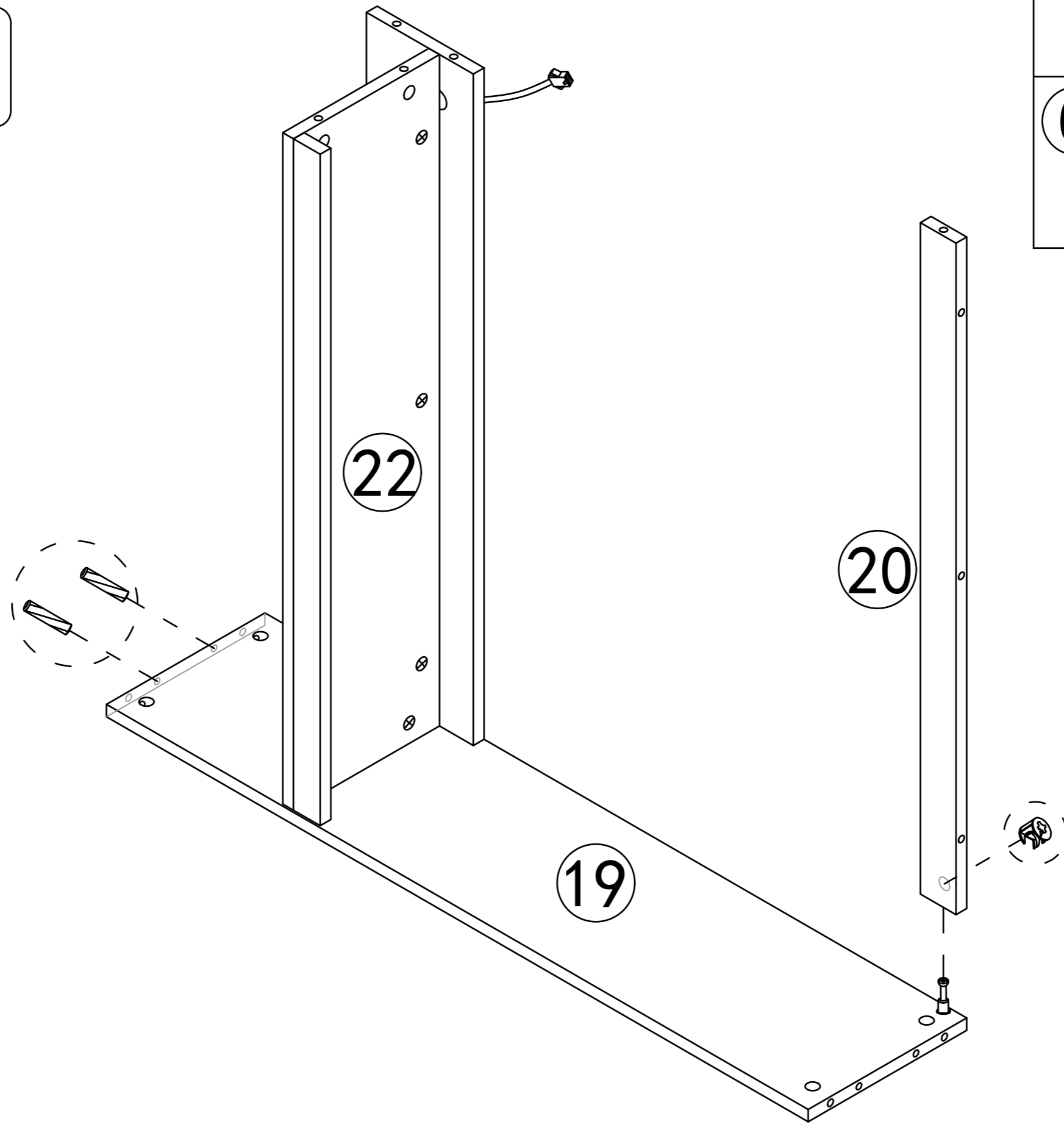
Step 38



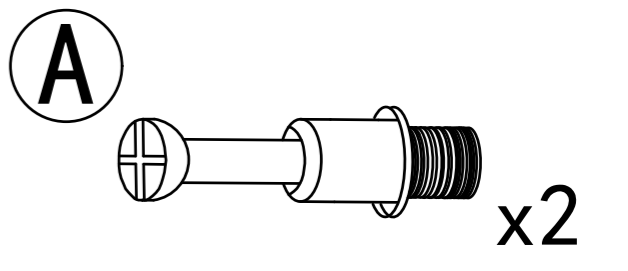
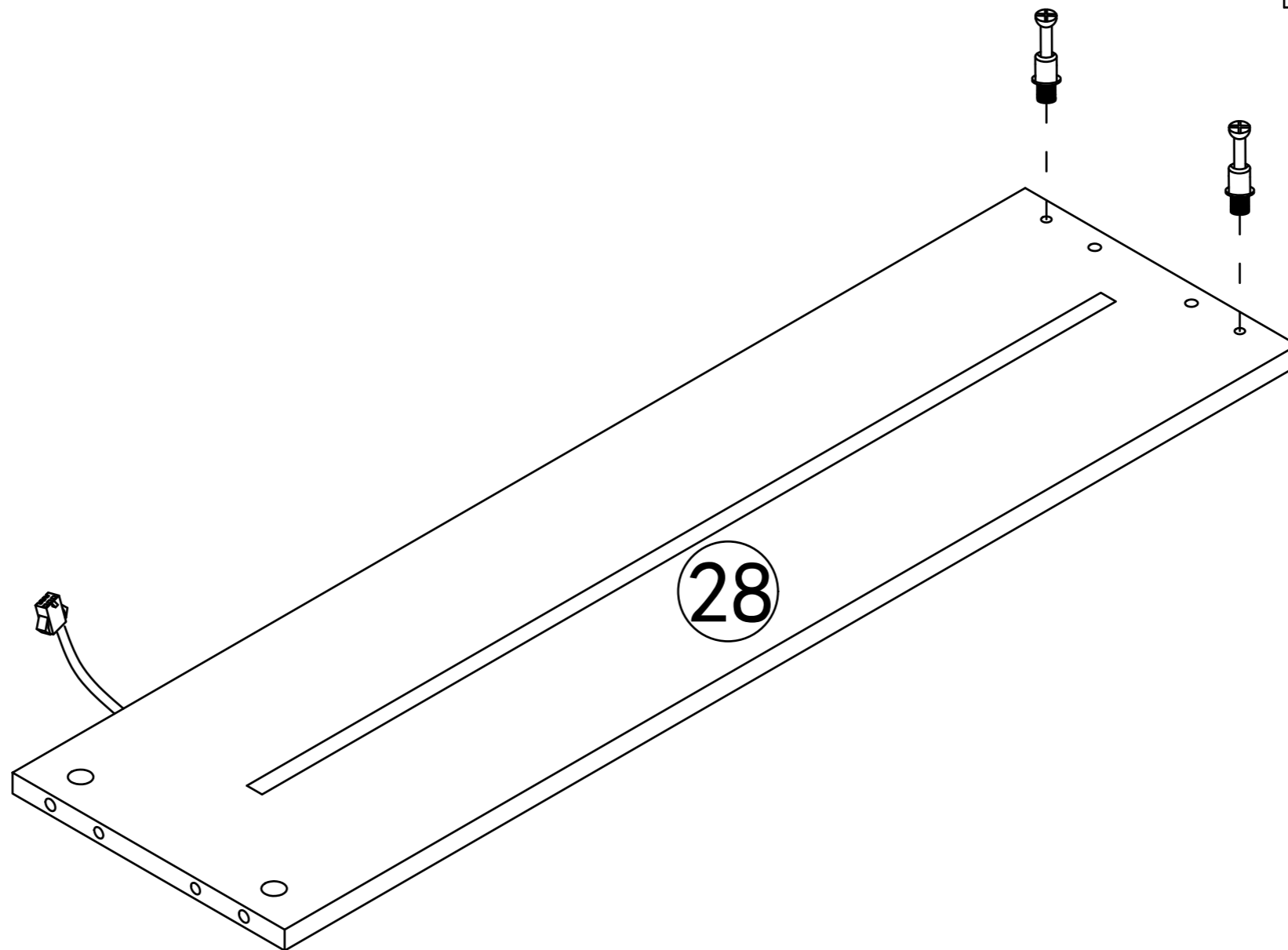
Step 39



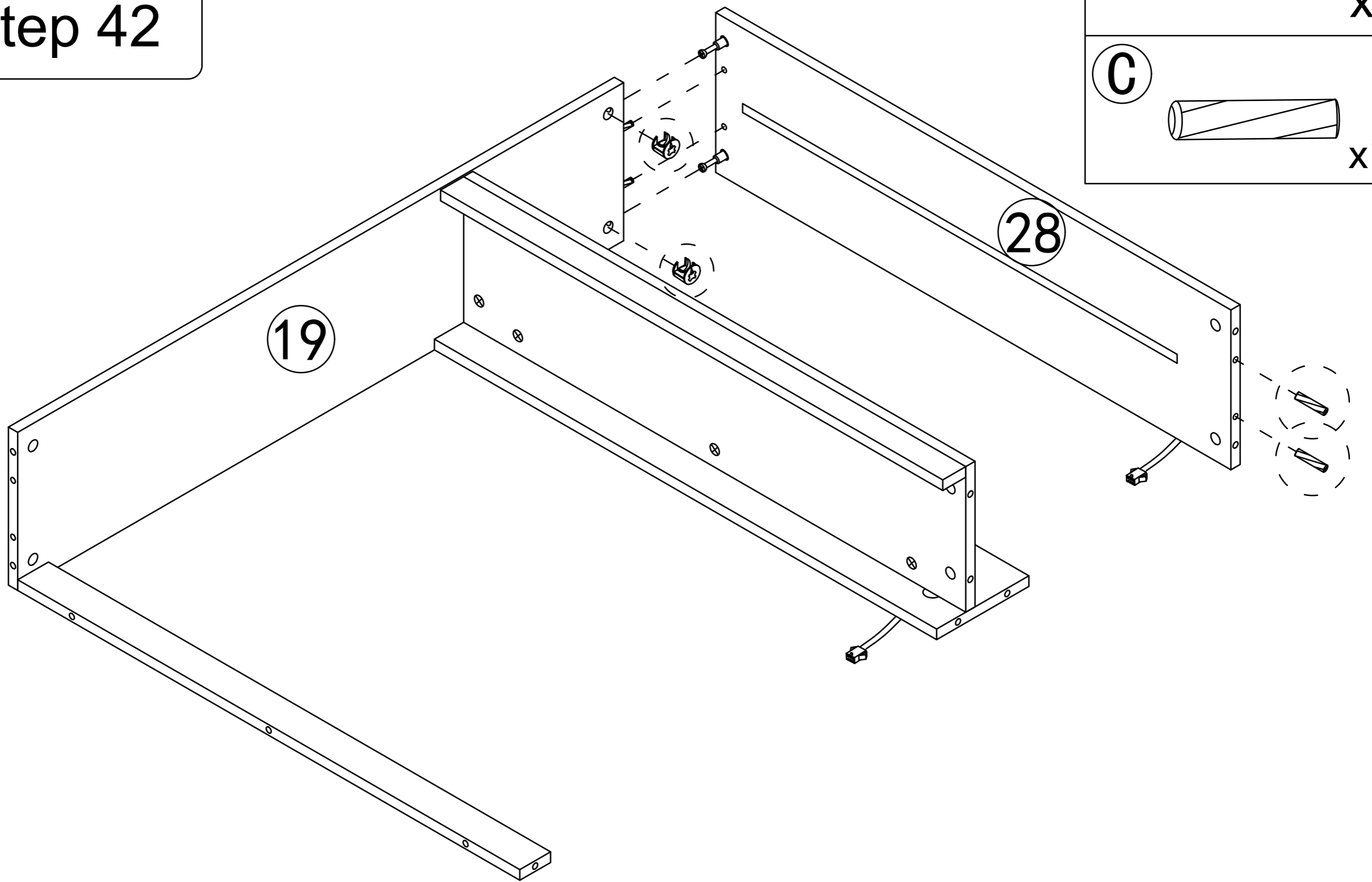
Step 40



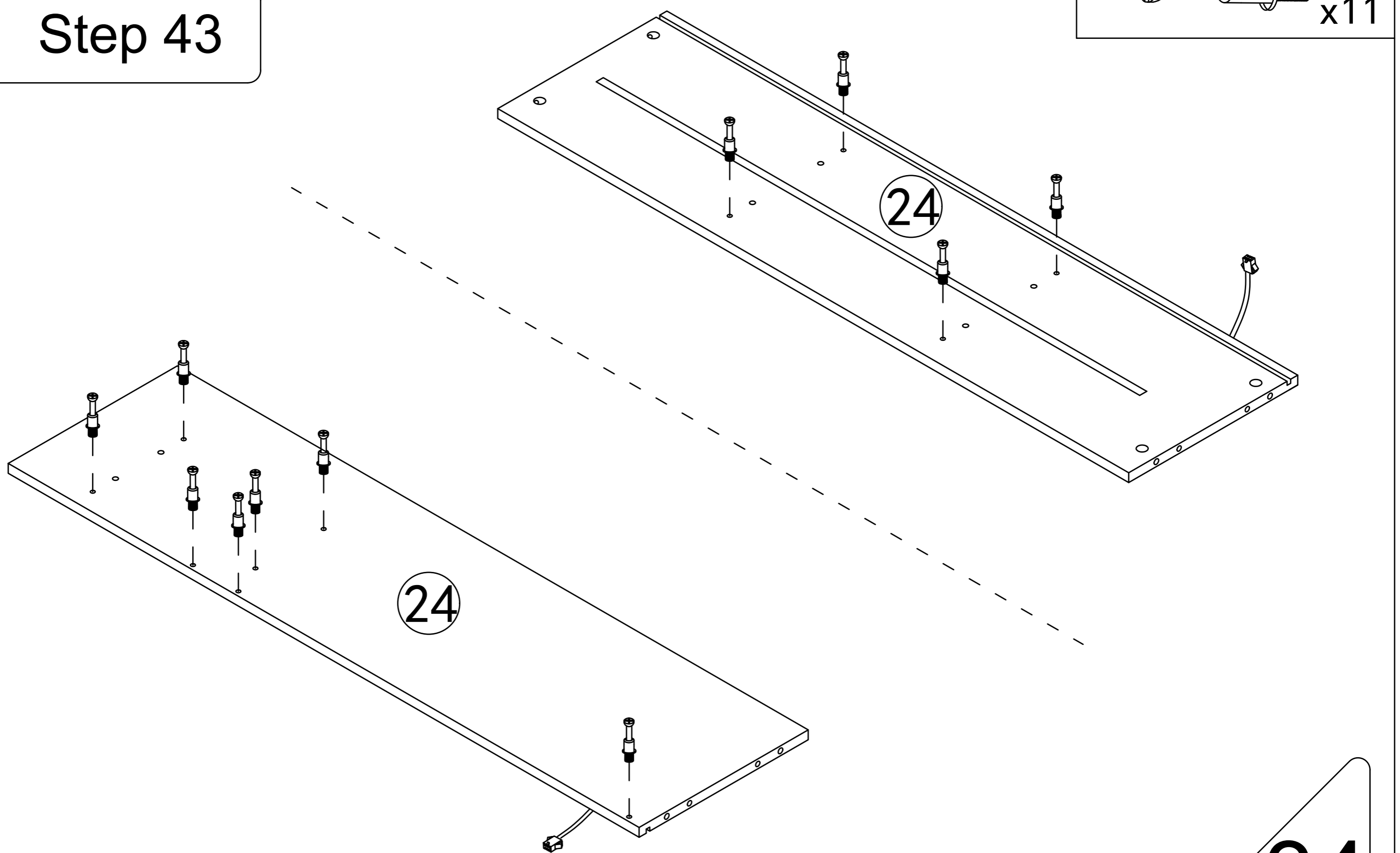
Step 41



Step 42



Step 43

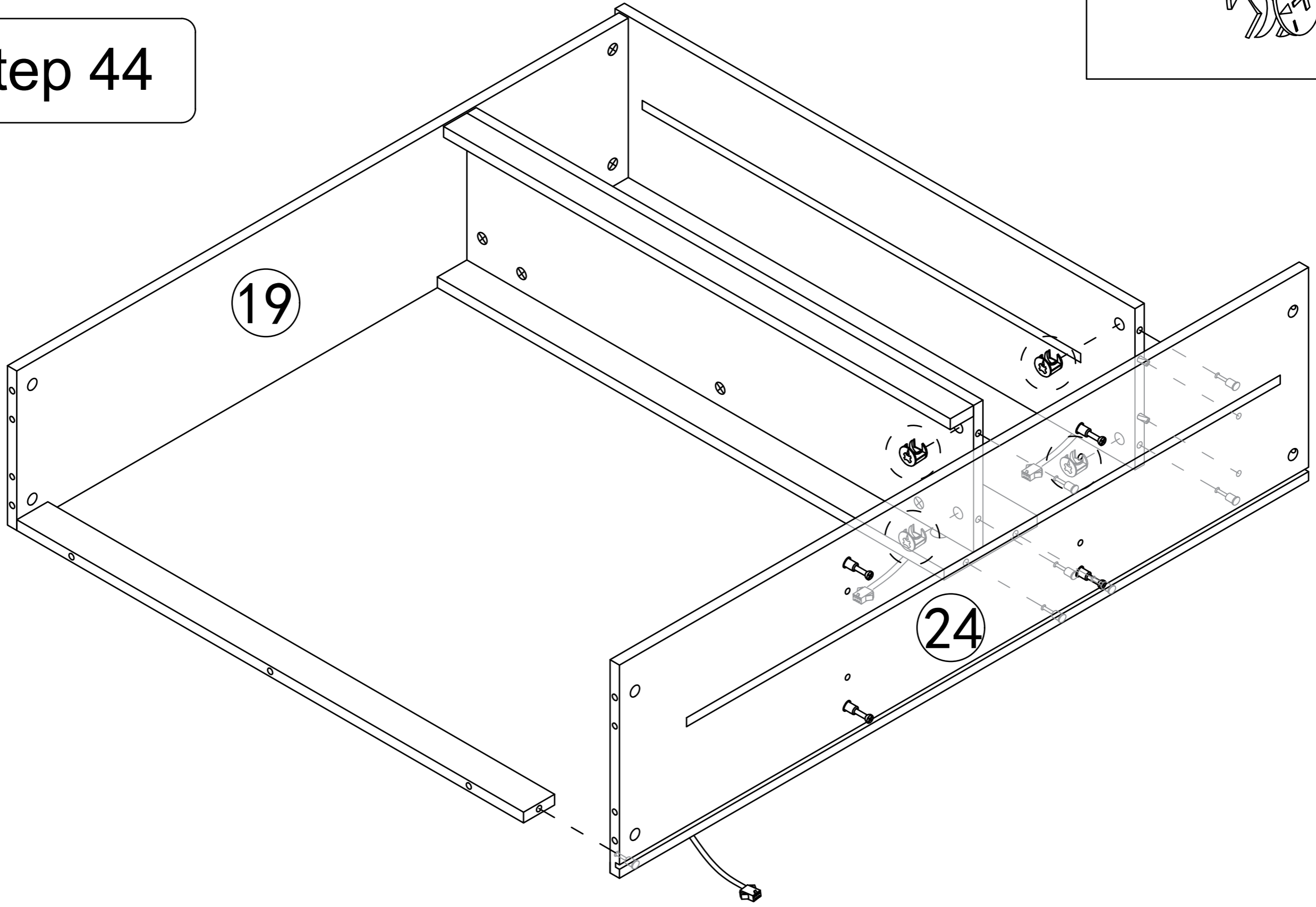


Step 44

B



x4

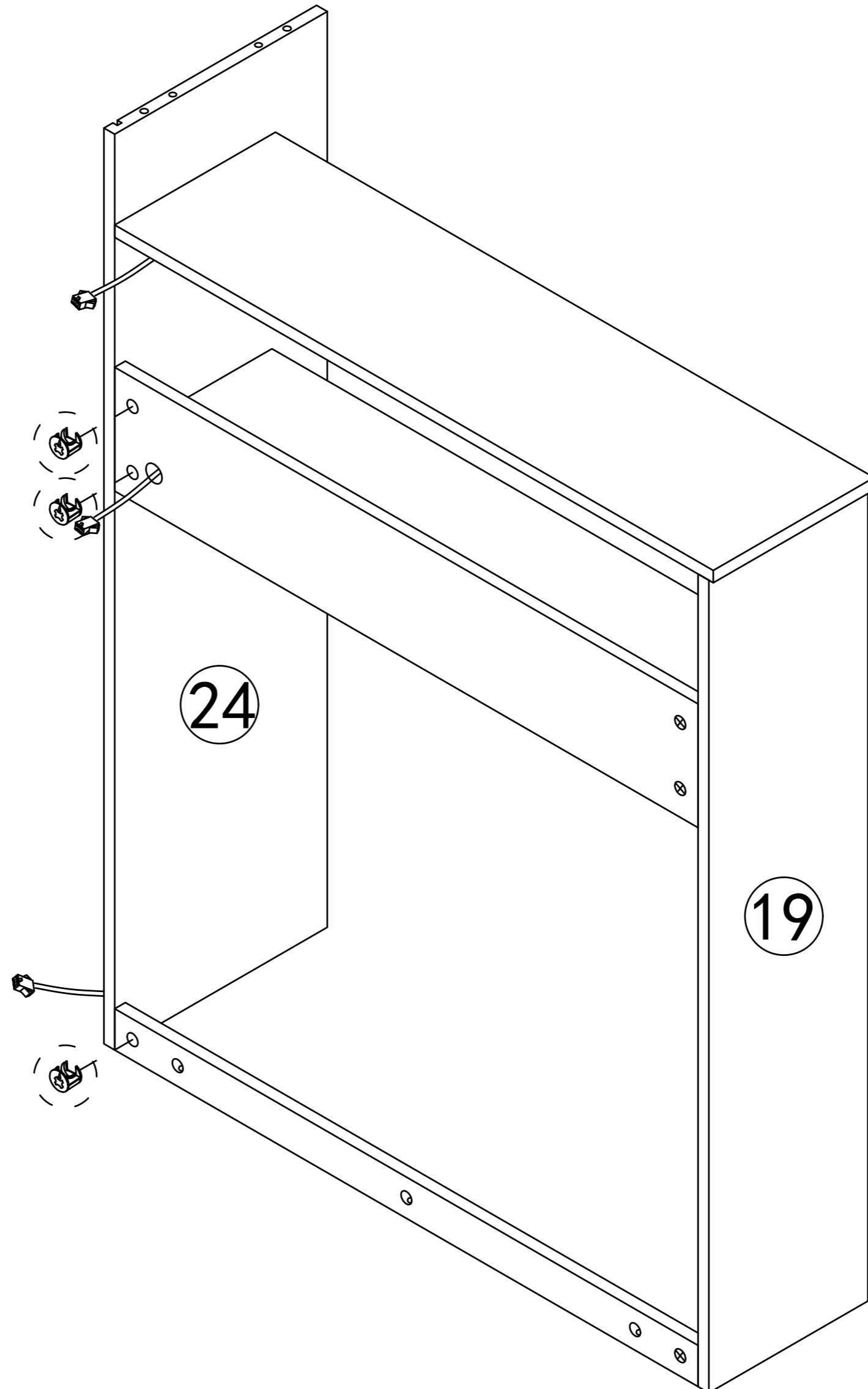


Step 45

B



x3

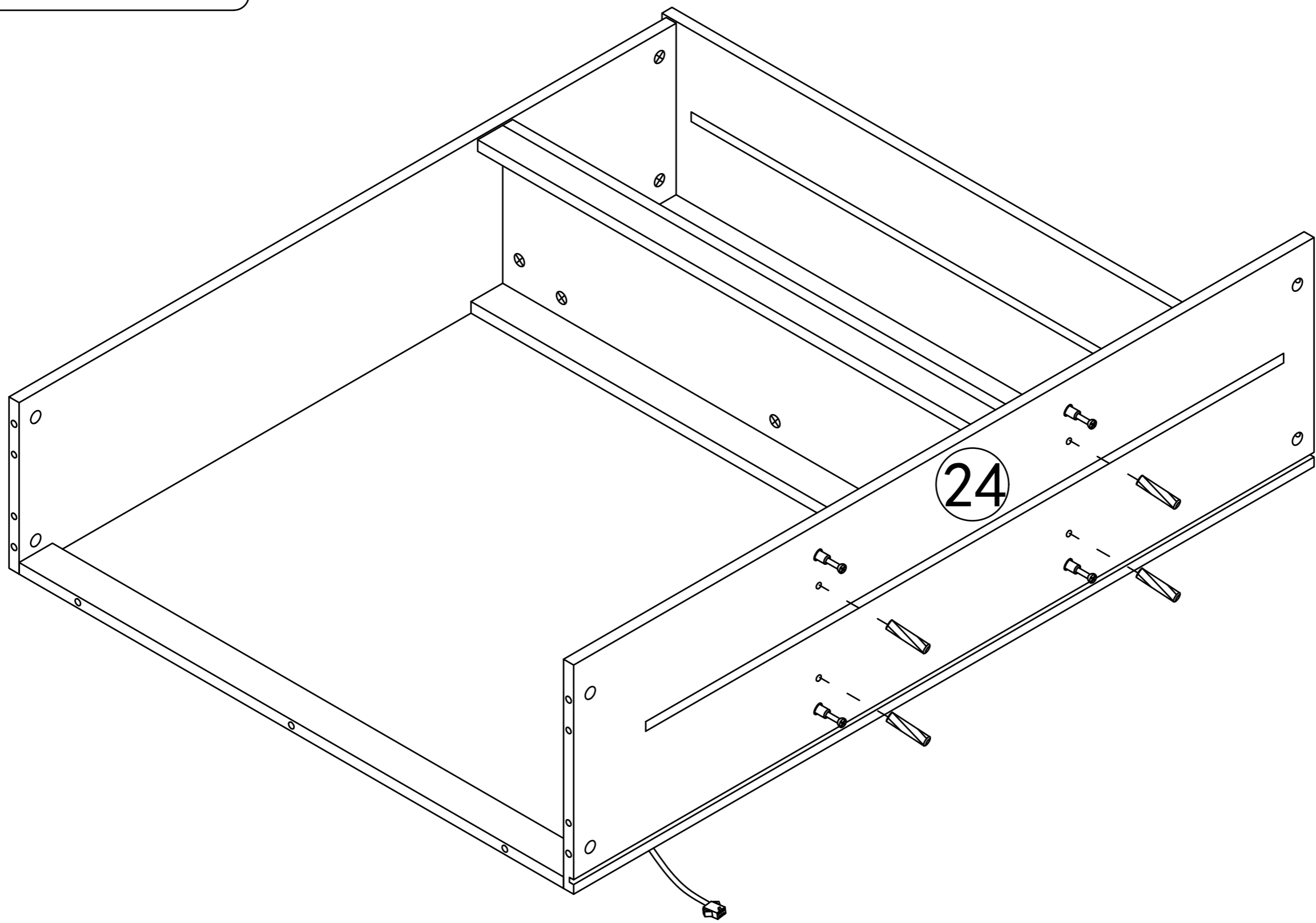


35

SY

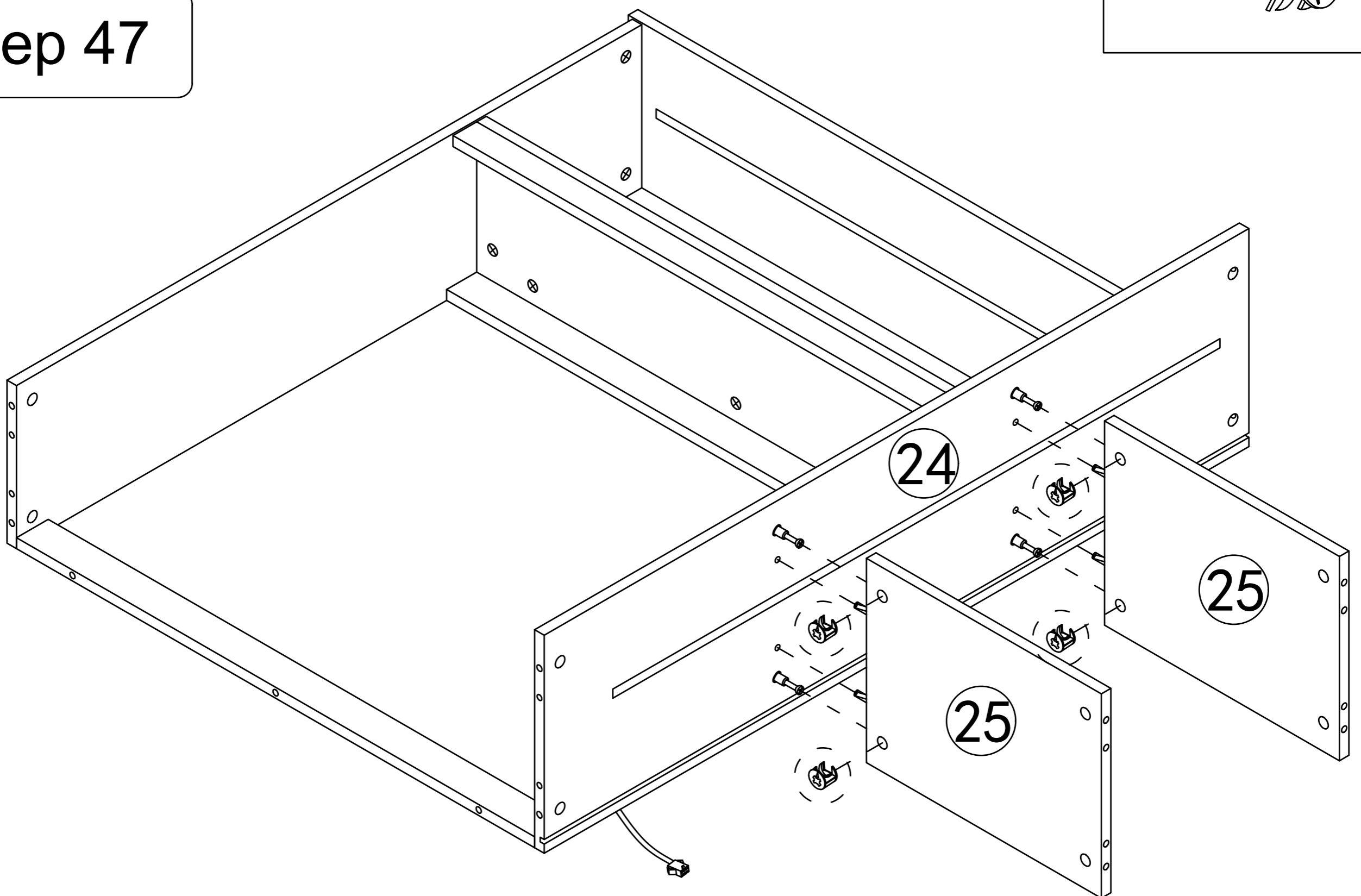
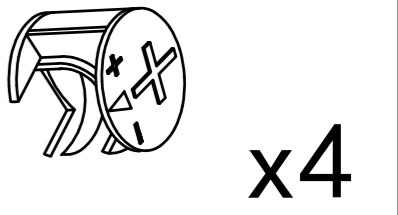
Step 46

C



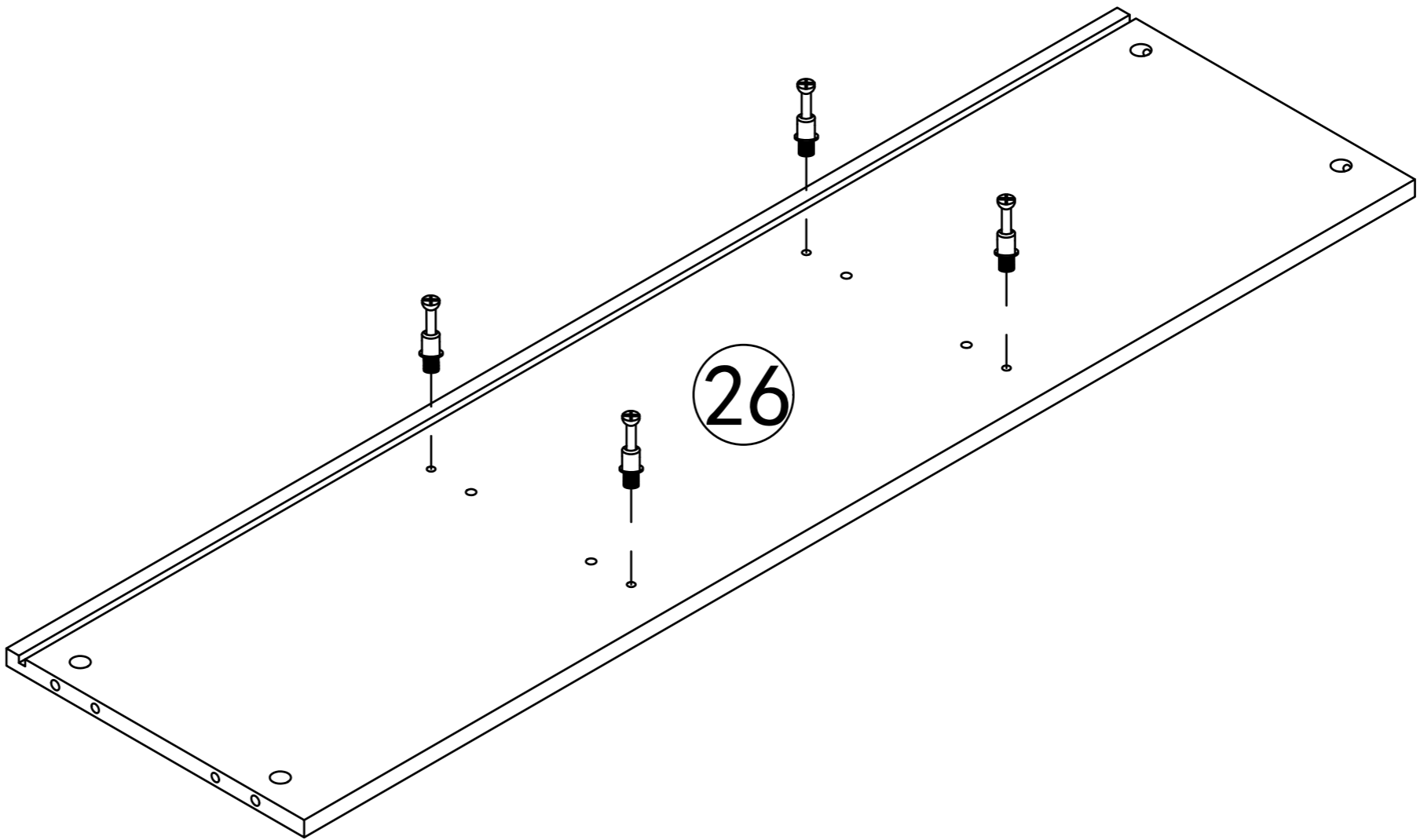
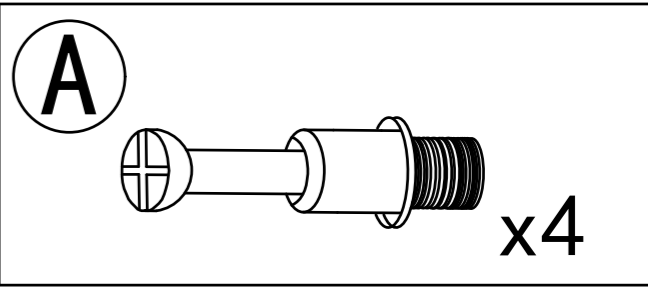
Step 47

B

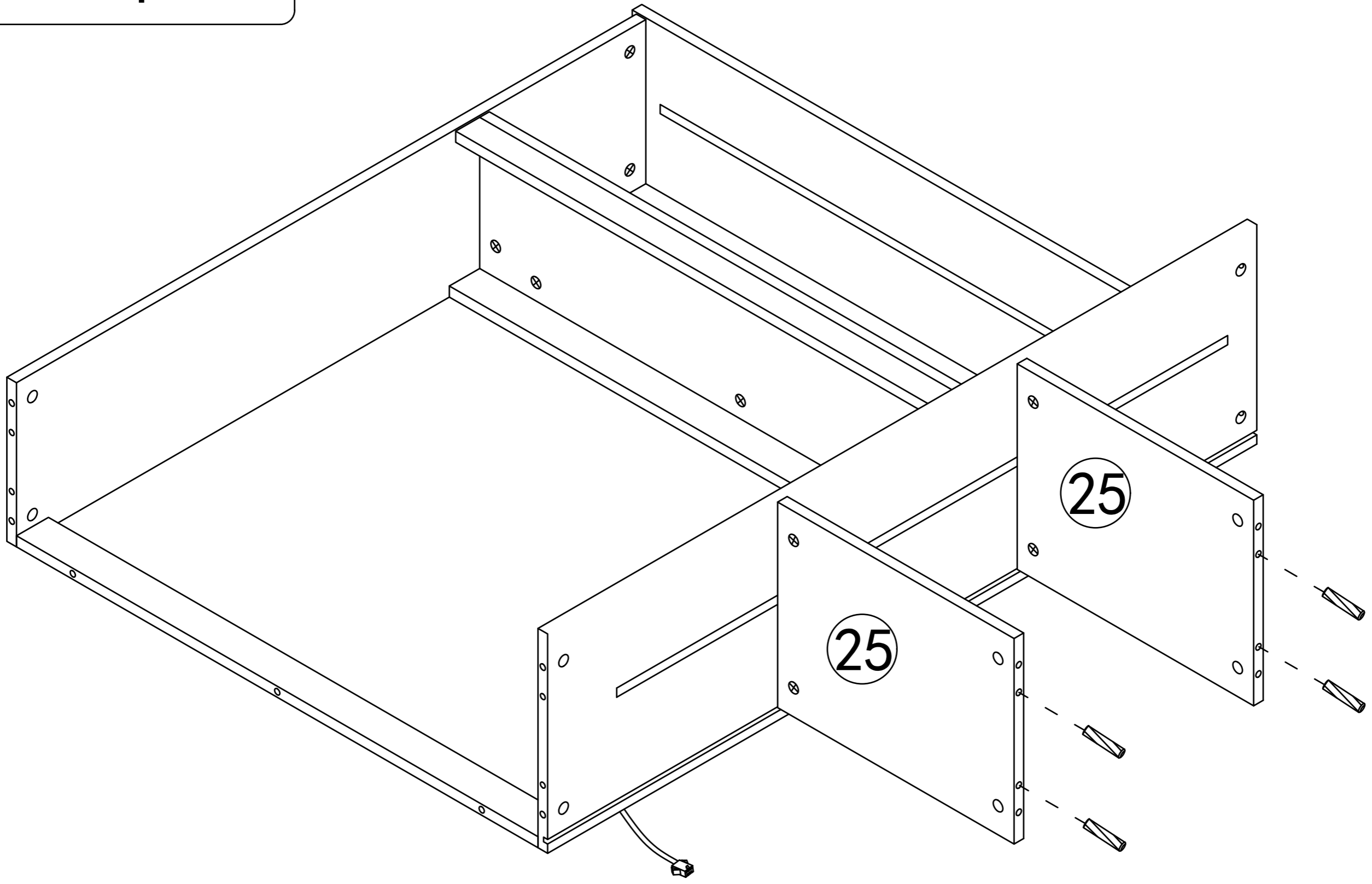
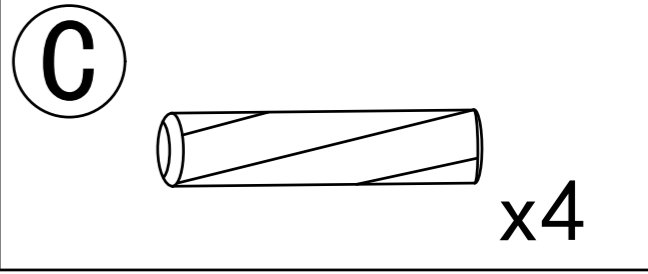


36

Step 48

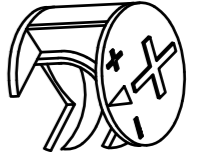


Step 49

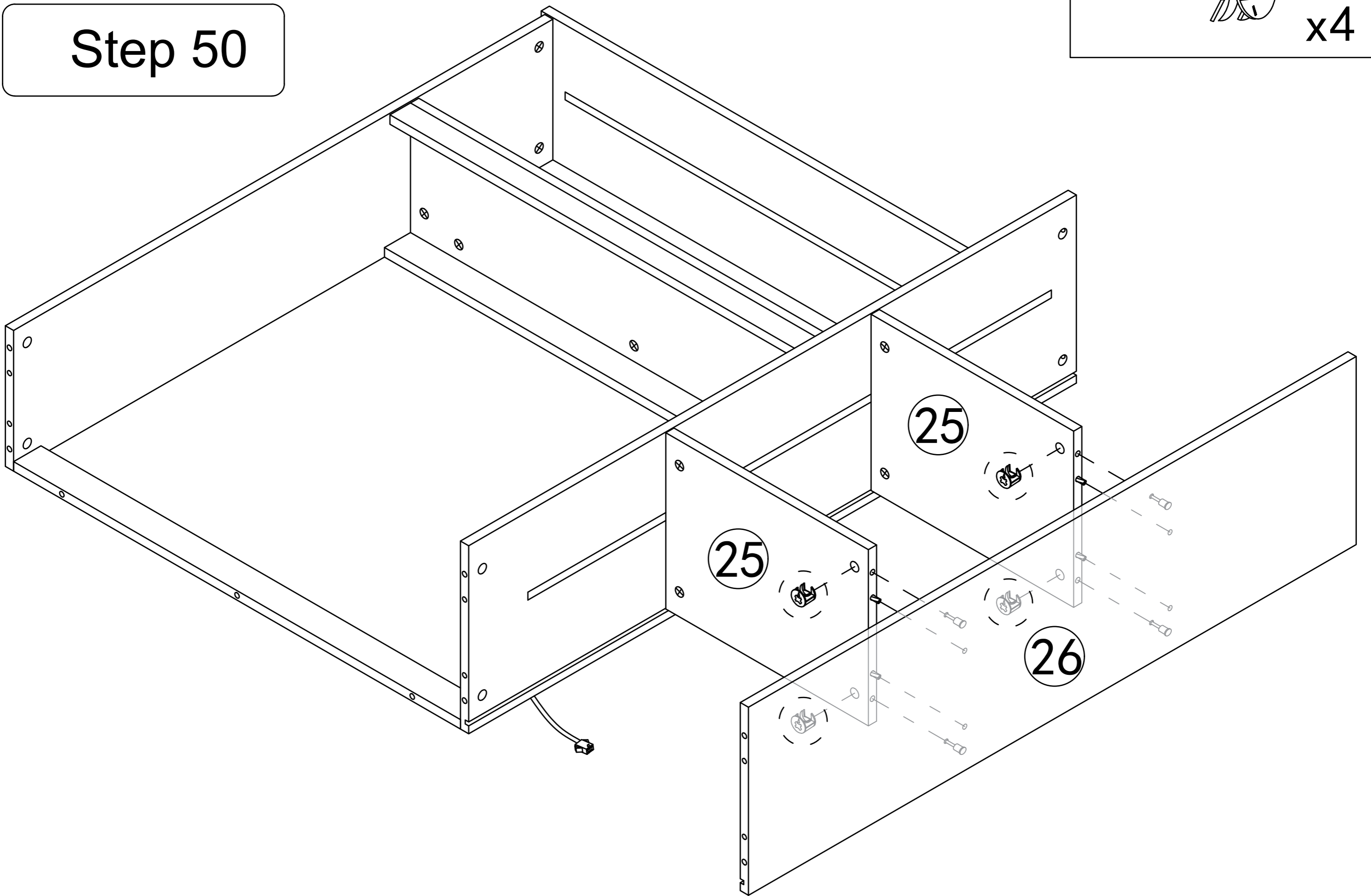


Step 50

B

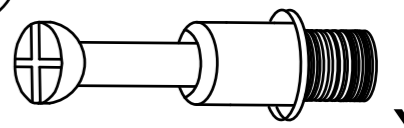


x4

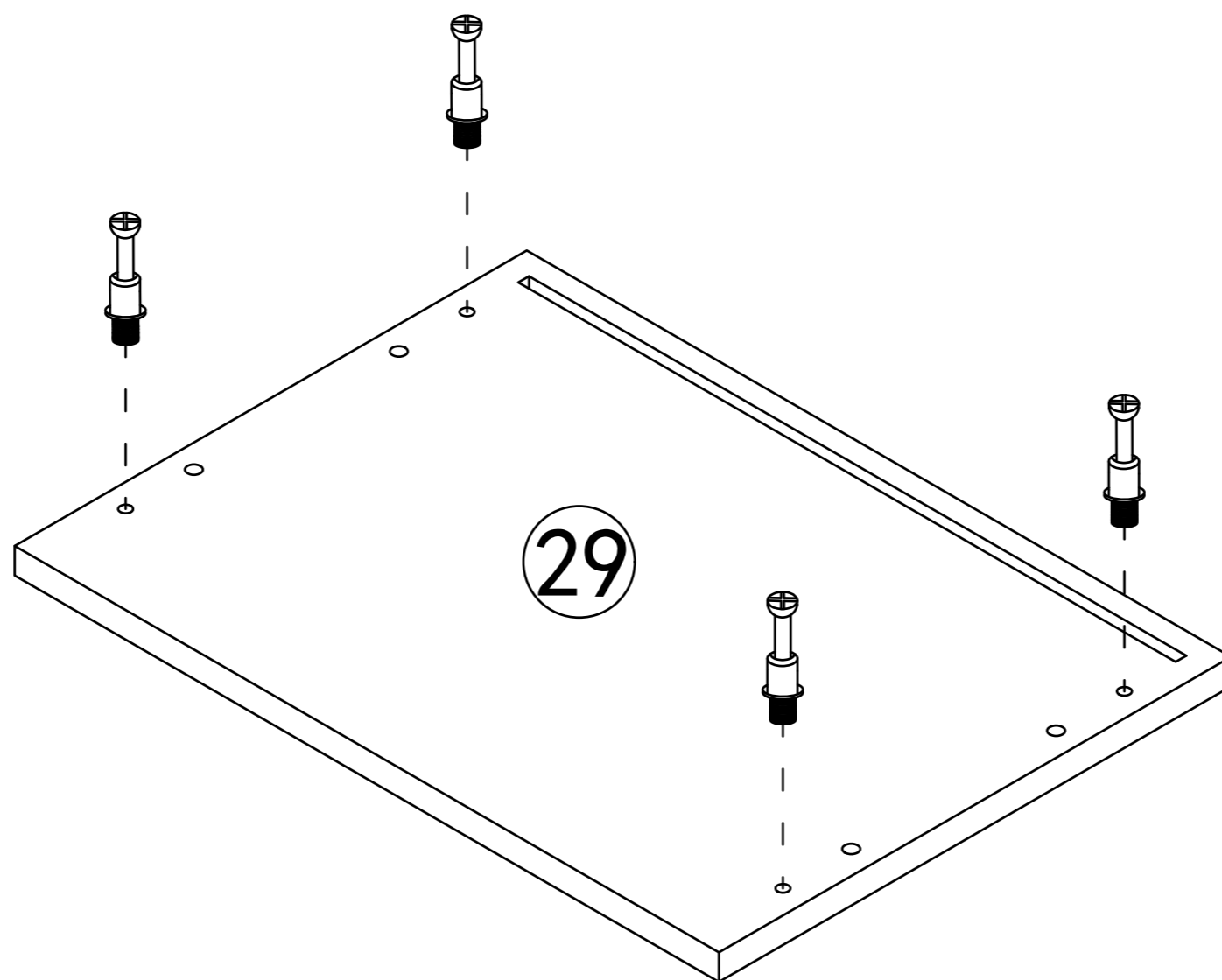


Step 51

A



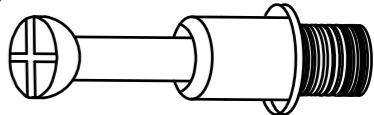
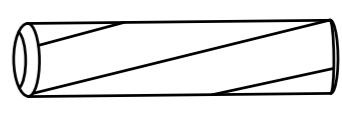
x4

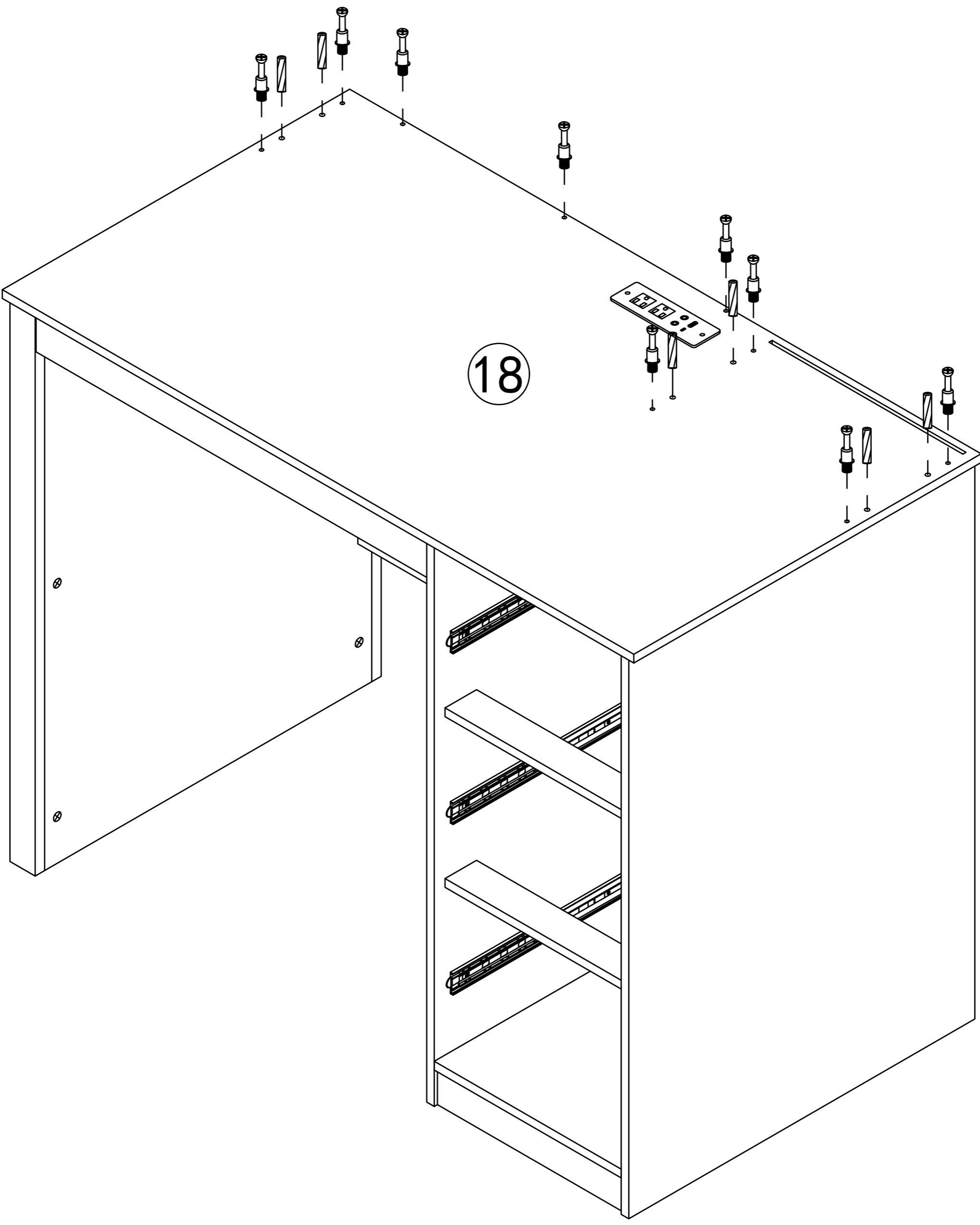


38

SY

Step 52

- A  x9
- C  x6

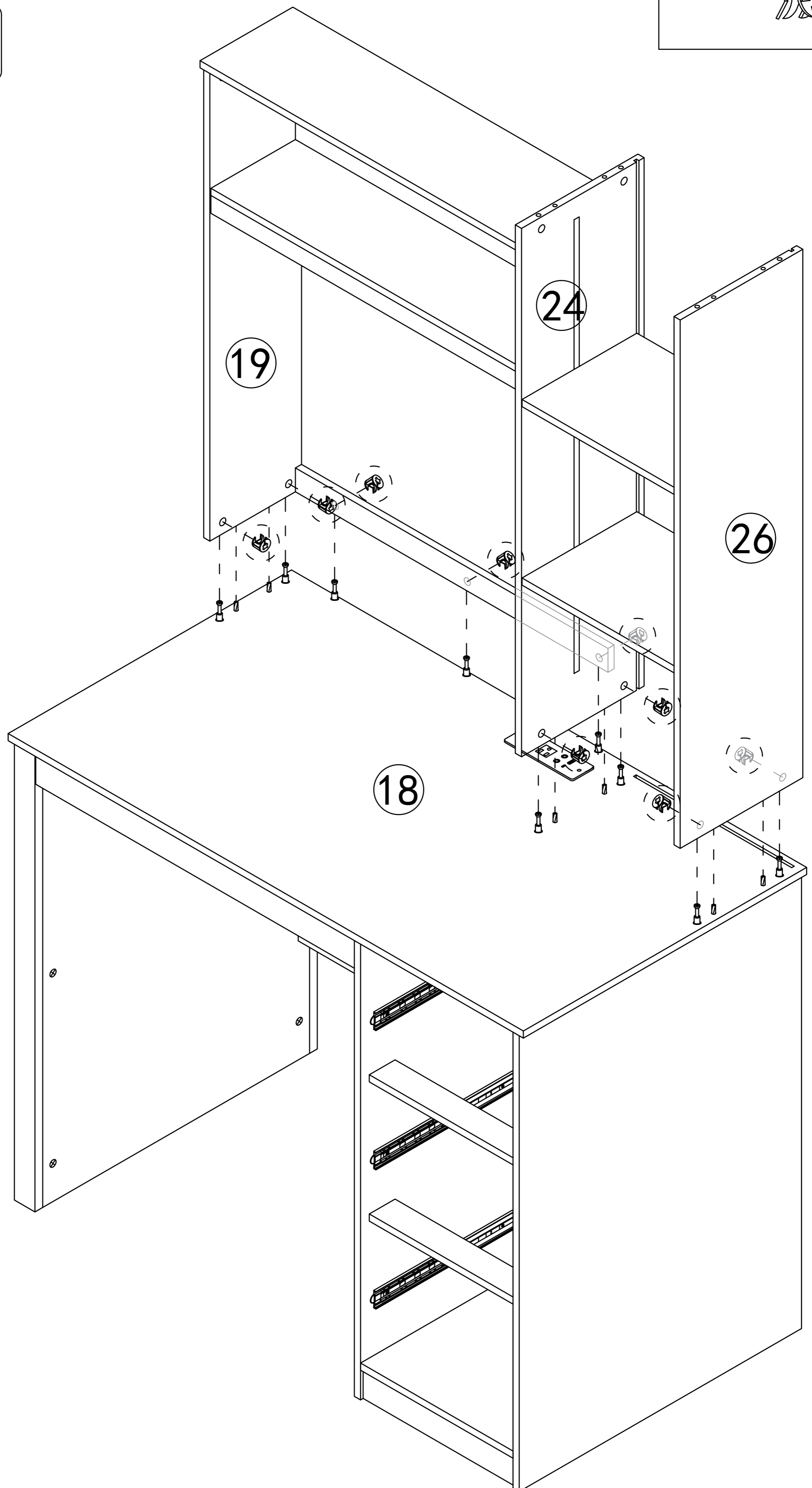


Step 53

B



x9

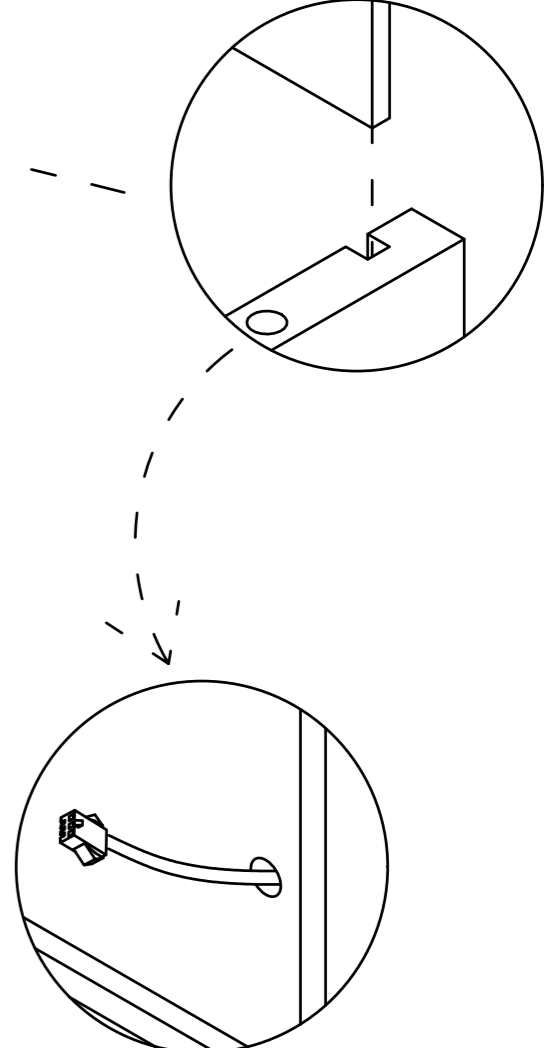
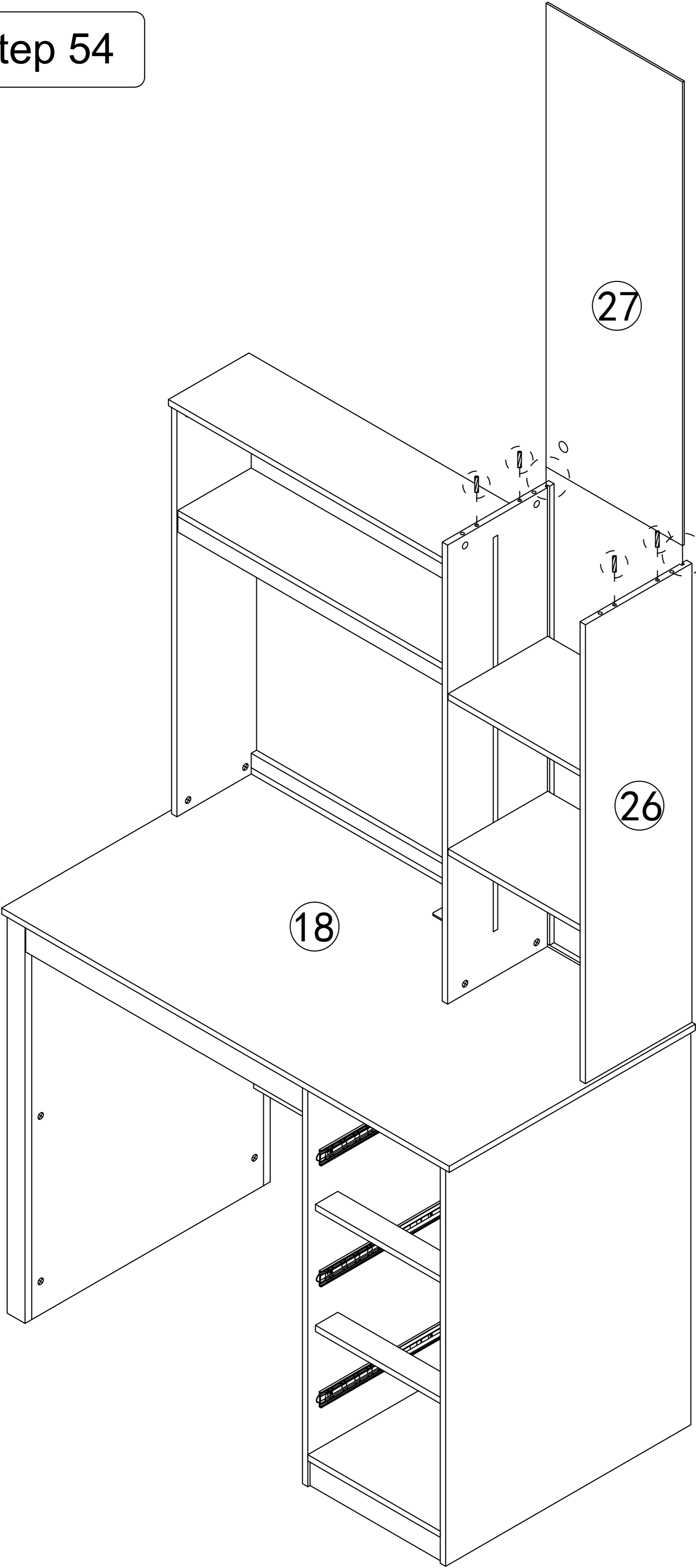
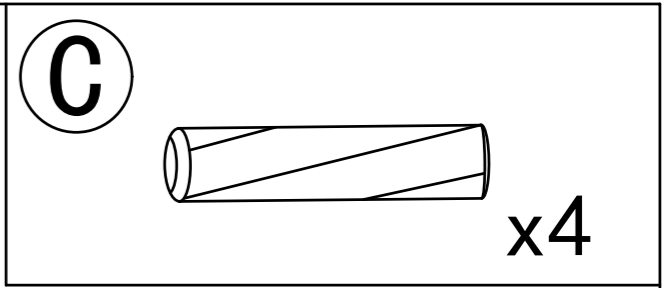


The mounting plate is needed to be held by hand, and it is easy to break


SY

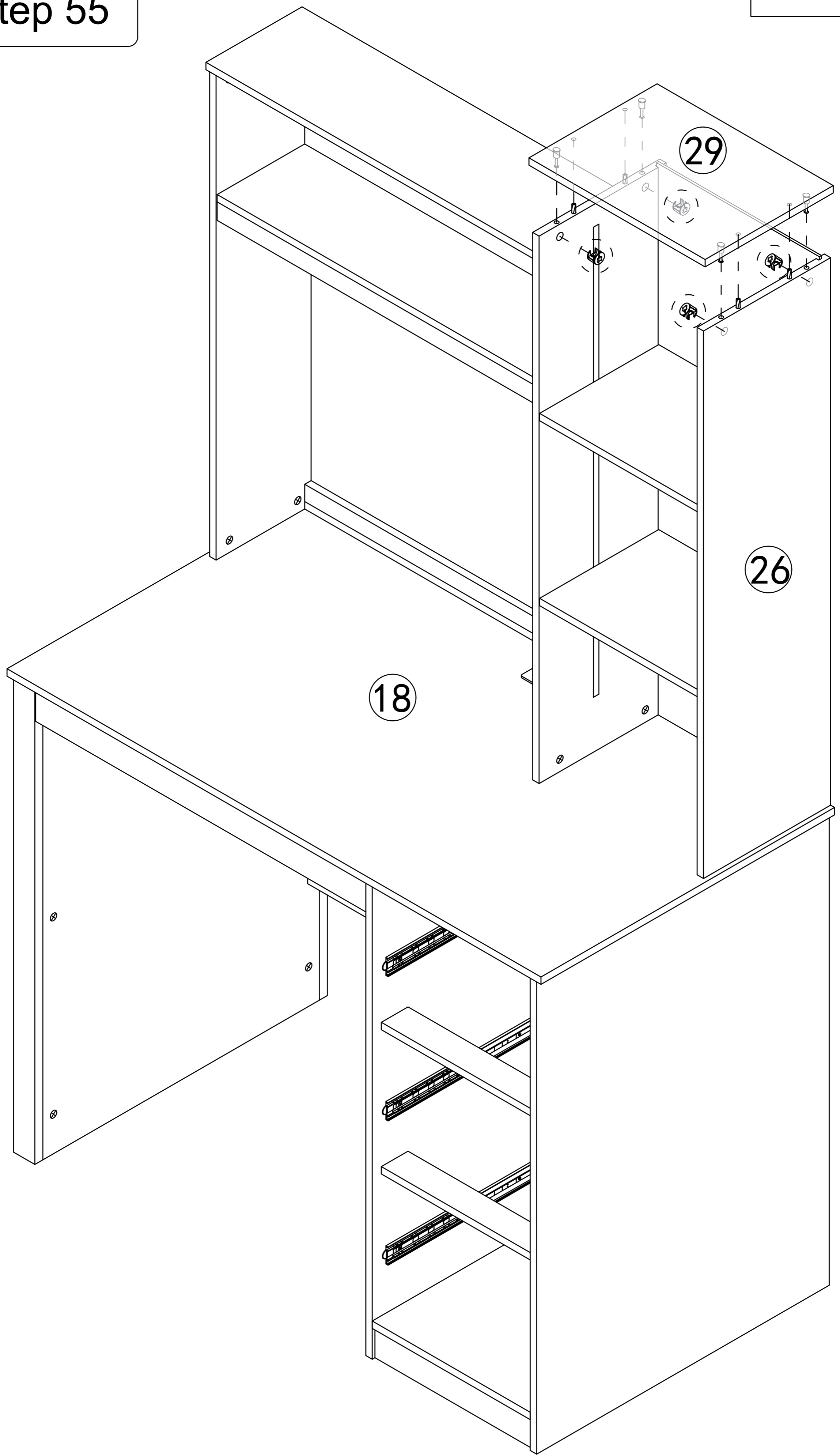
40

Step 54

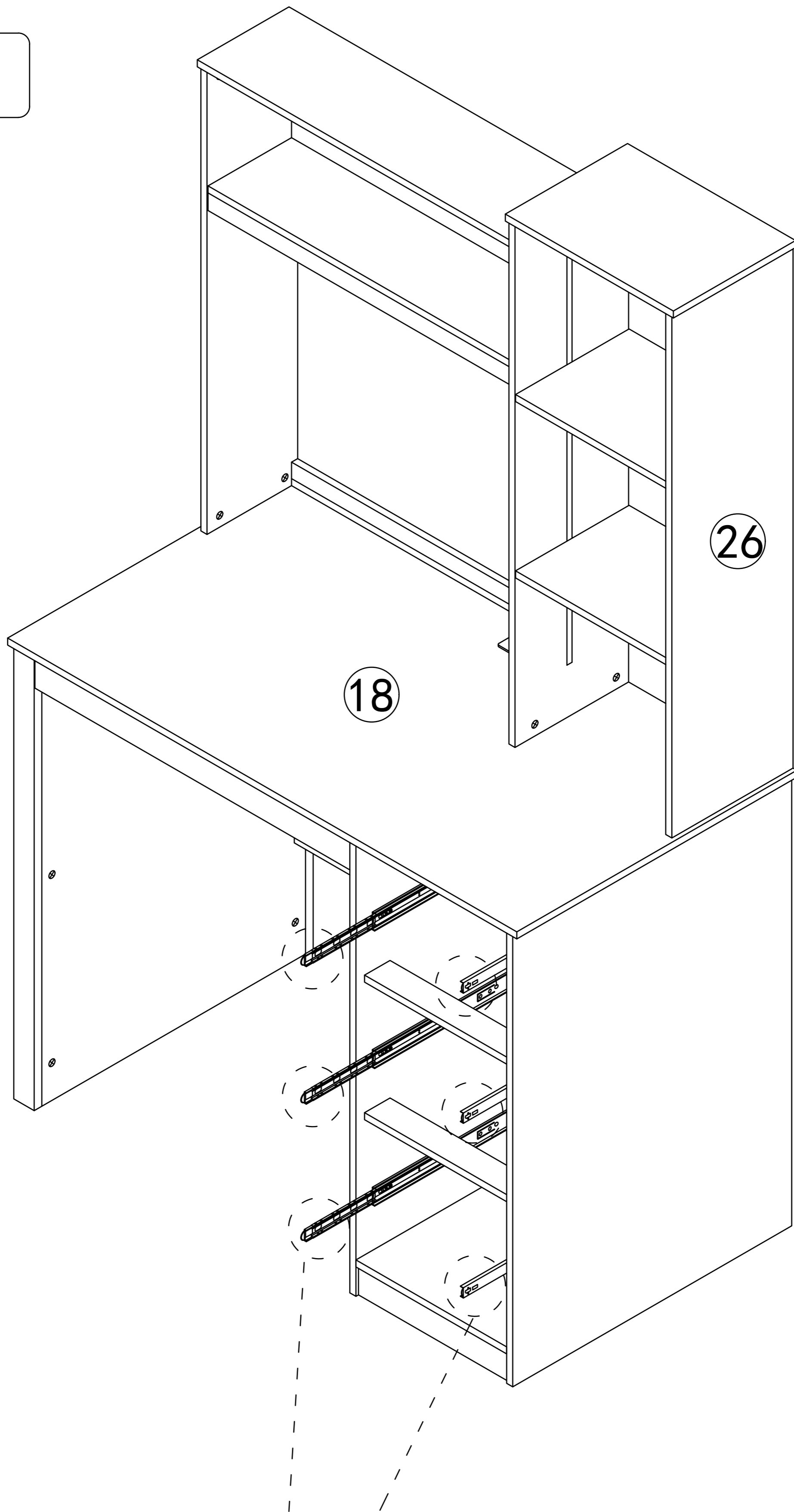


Step 55

B  x4



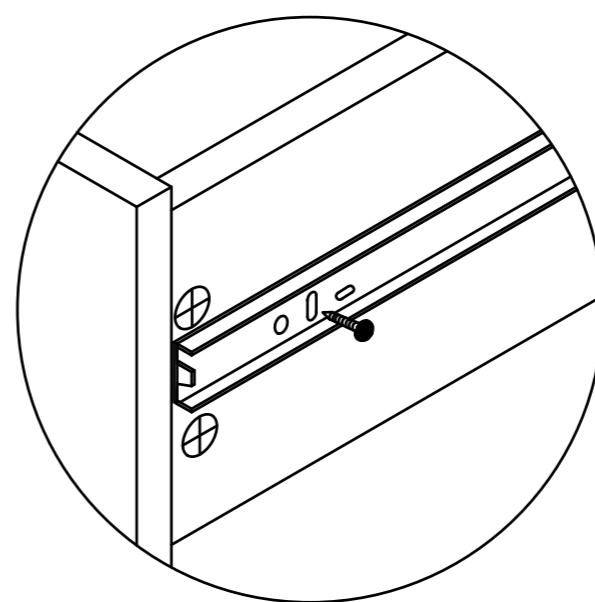
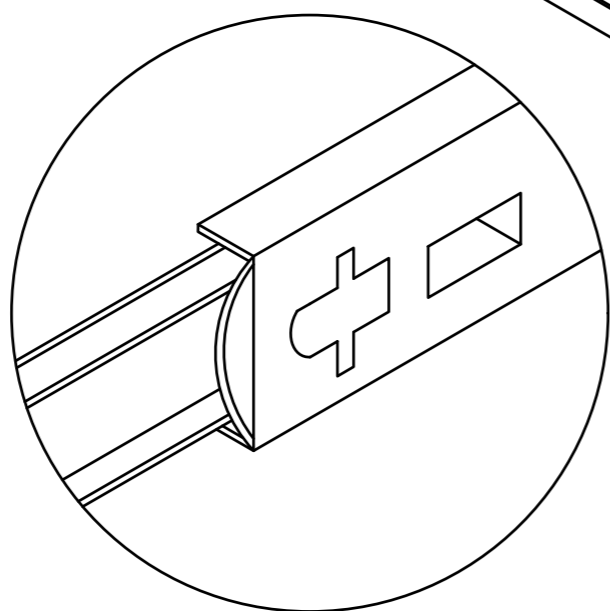
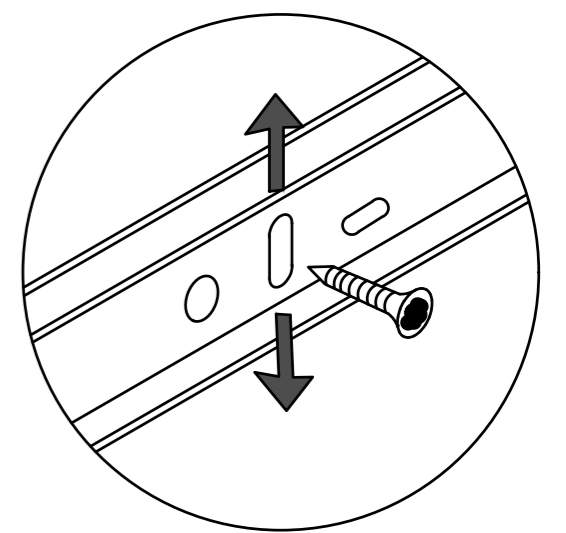
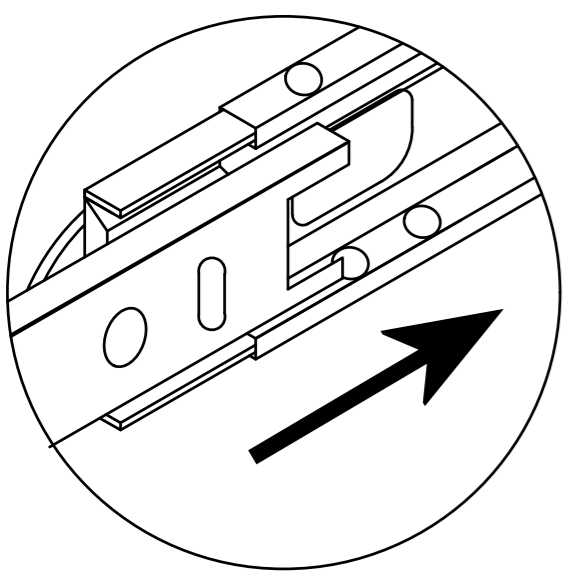
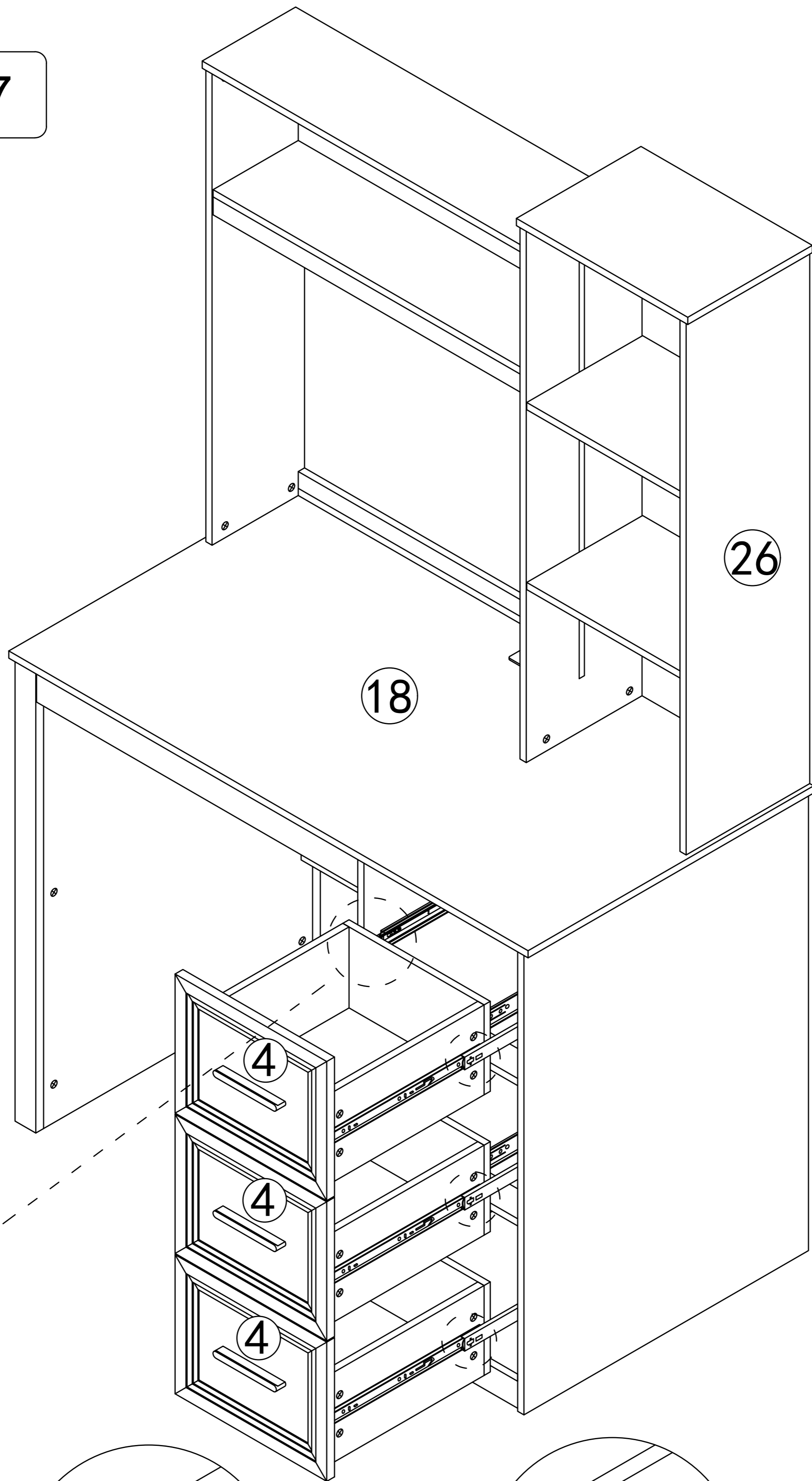
Step 56



As shown, When installing the drawer,
pull the guide rail out first, Slide beads are also pulled out.

SY

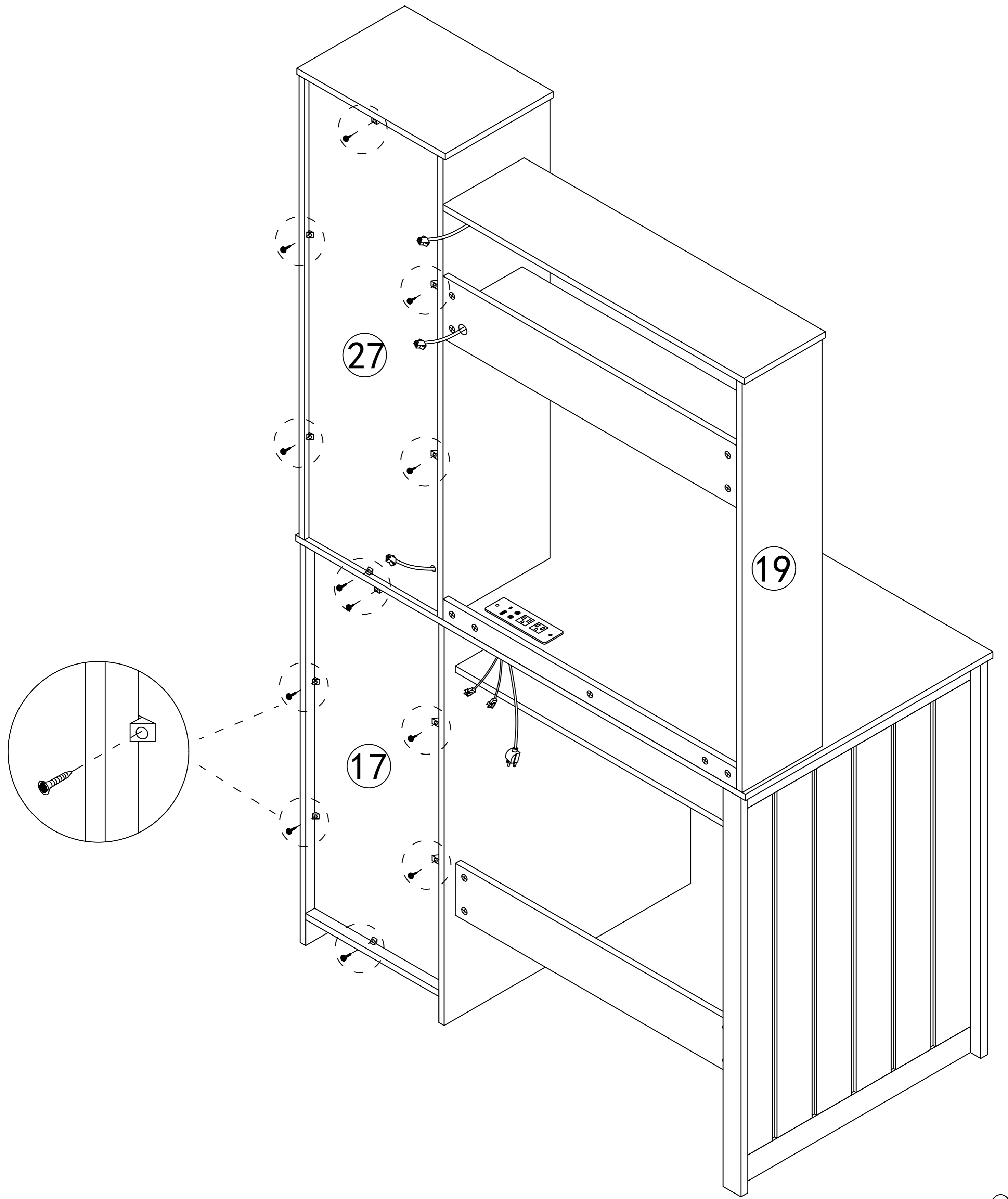
Step 57



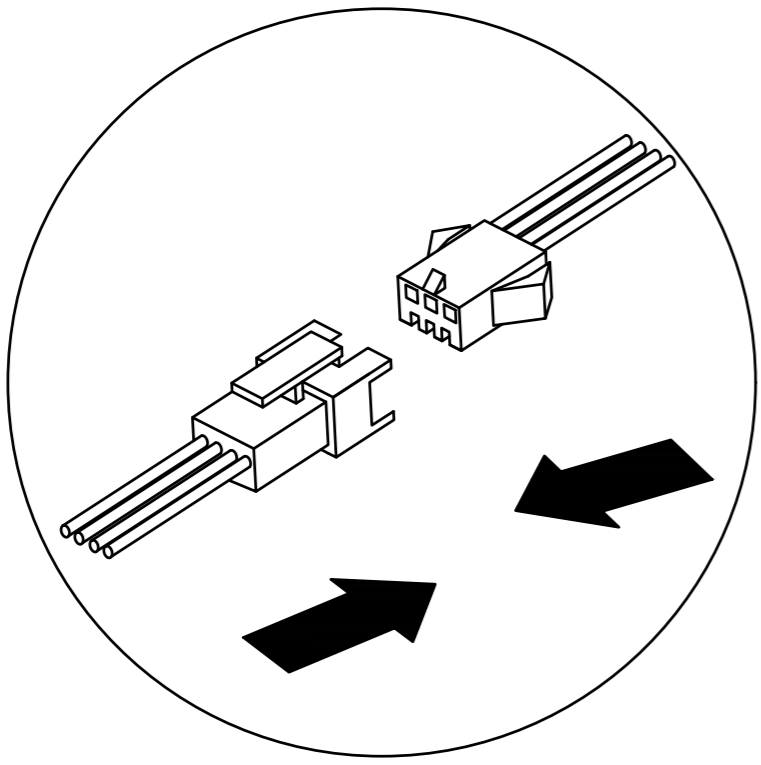
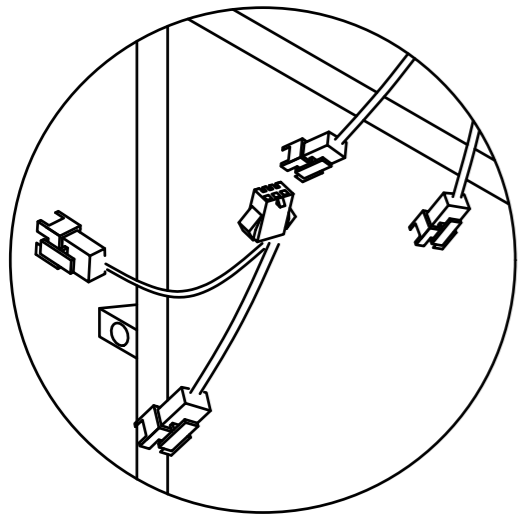
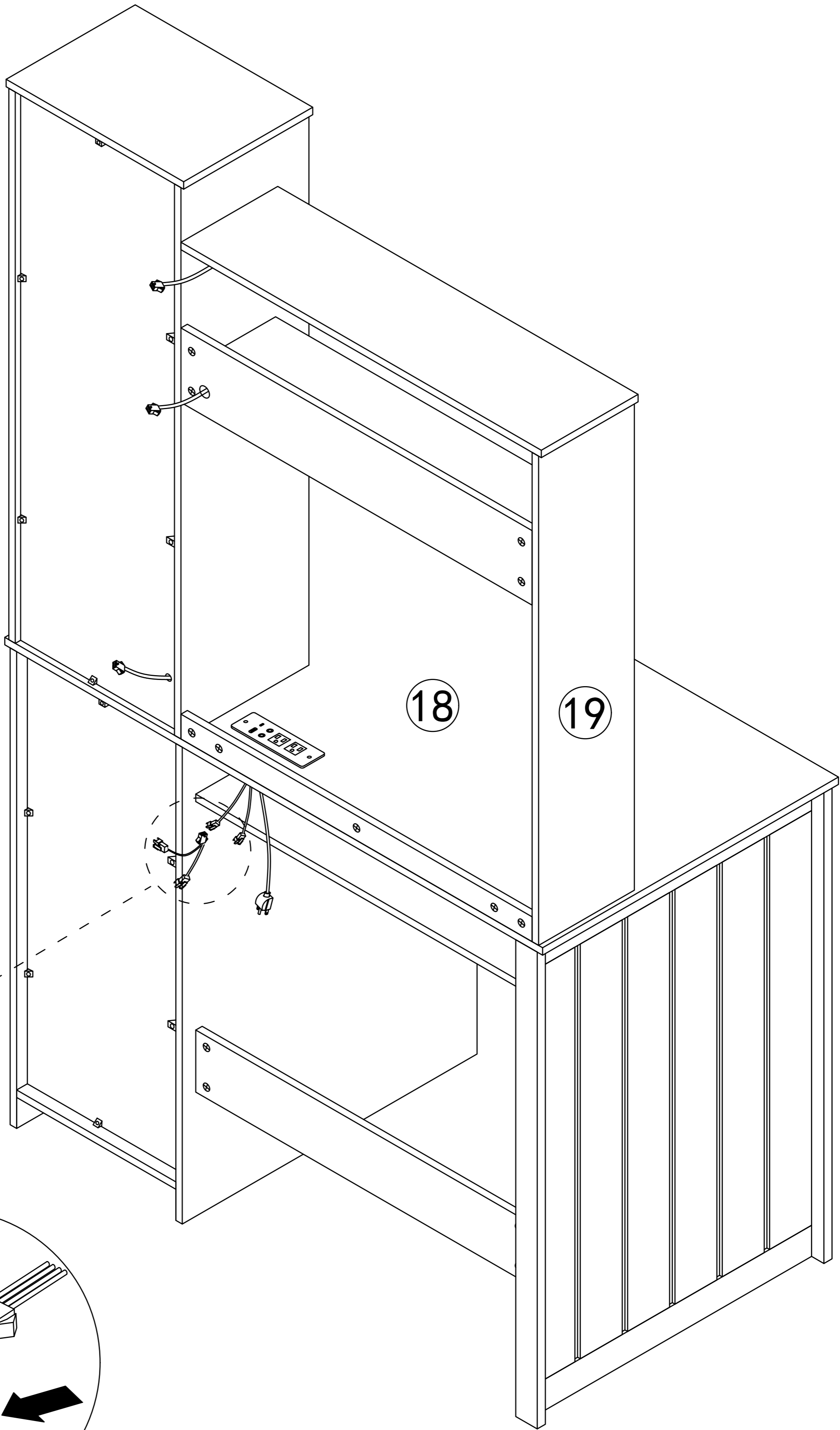
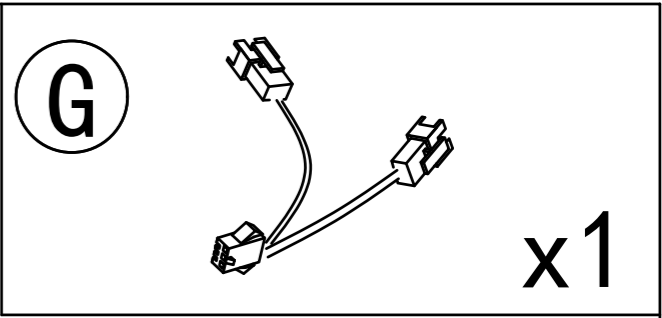
If a large gap is found after installing the drawer the slide rail can be moved up and down to adjust the gap

Step 58

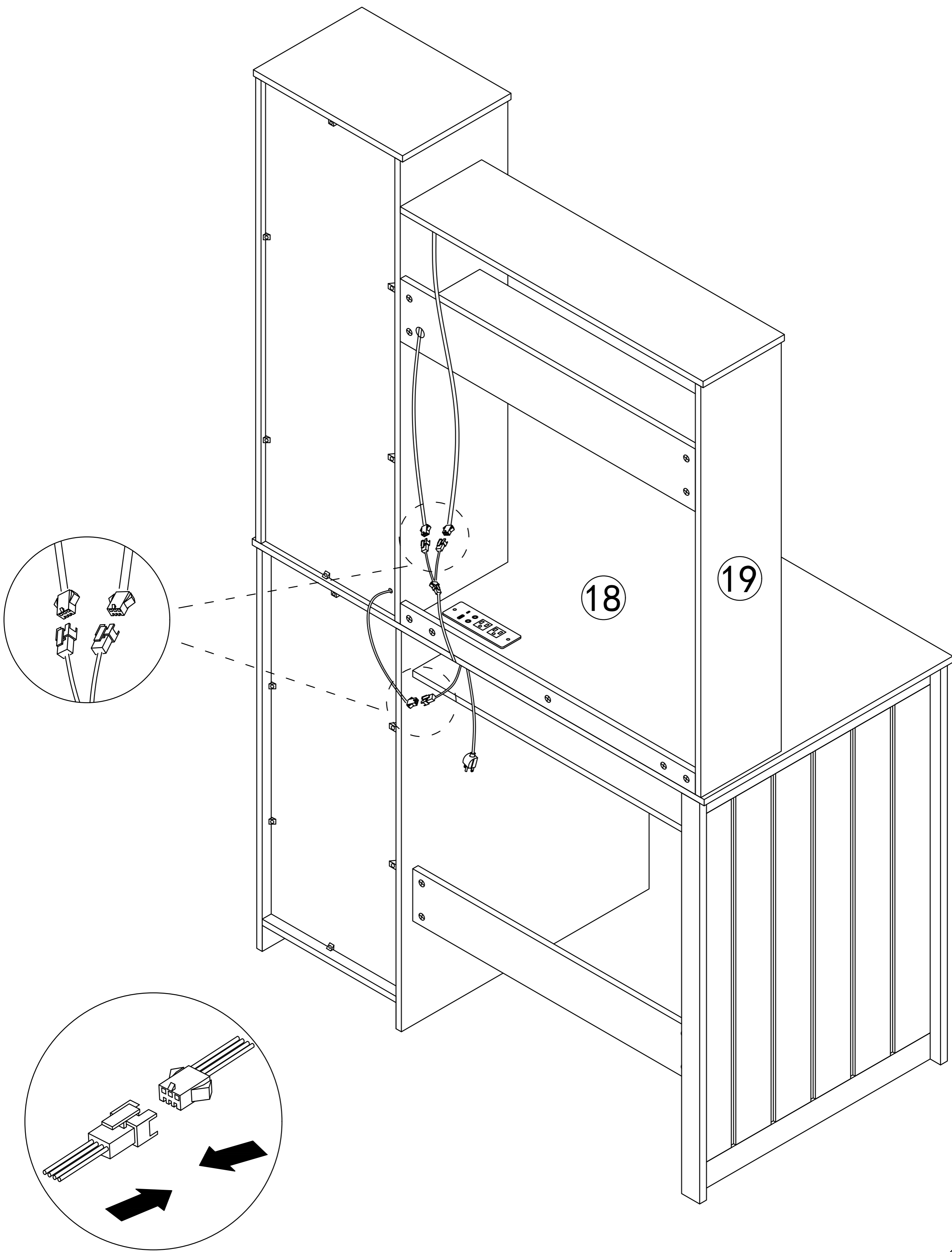
H
x12 x12



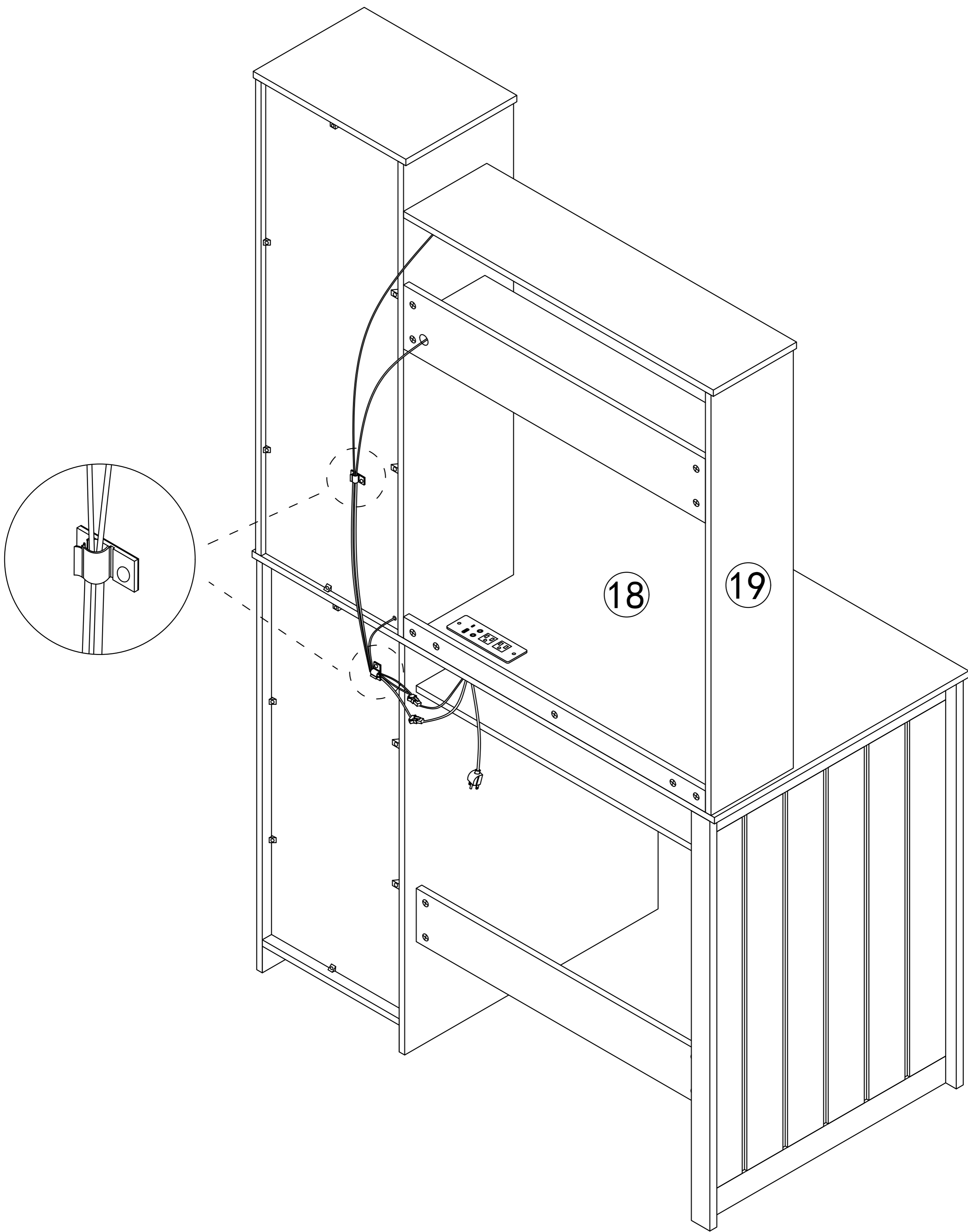
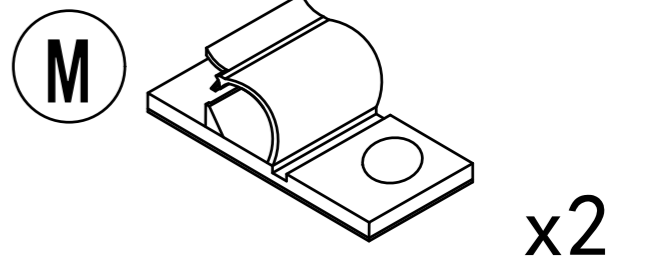
Step 59



Step 60

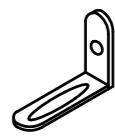




Step 61

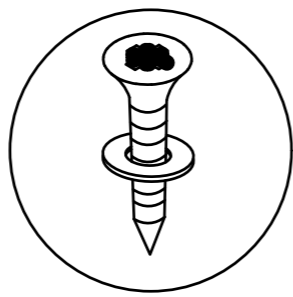


Step 62

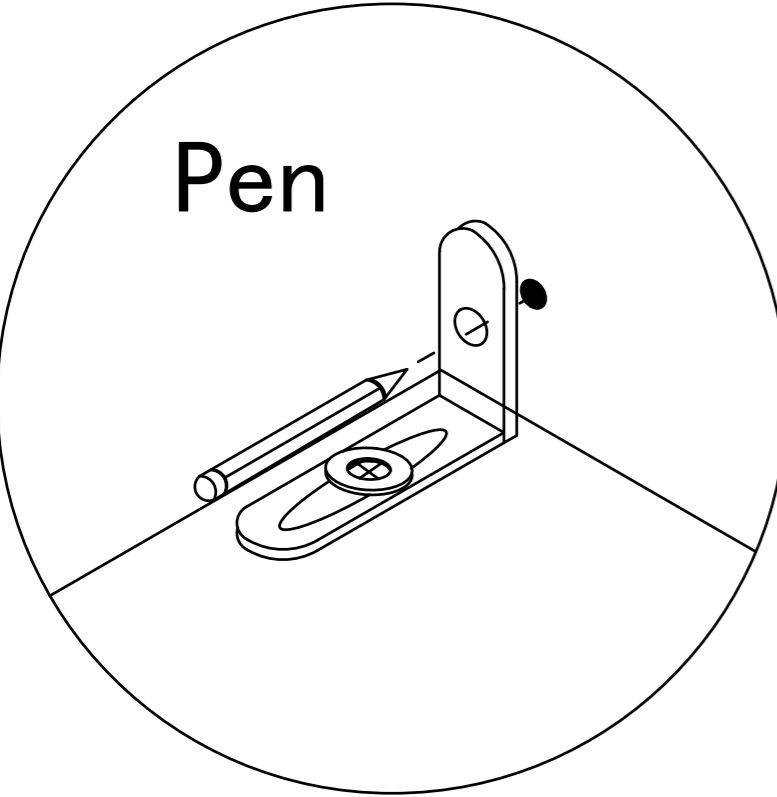
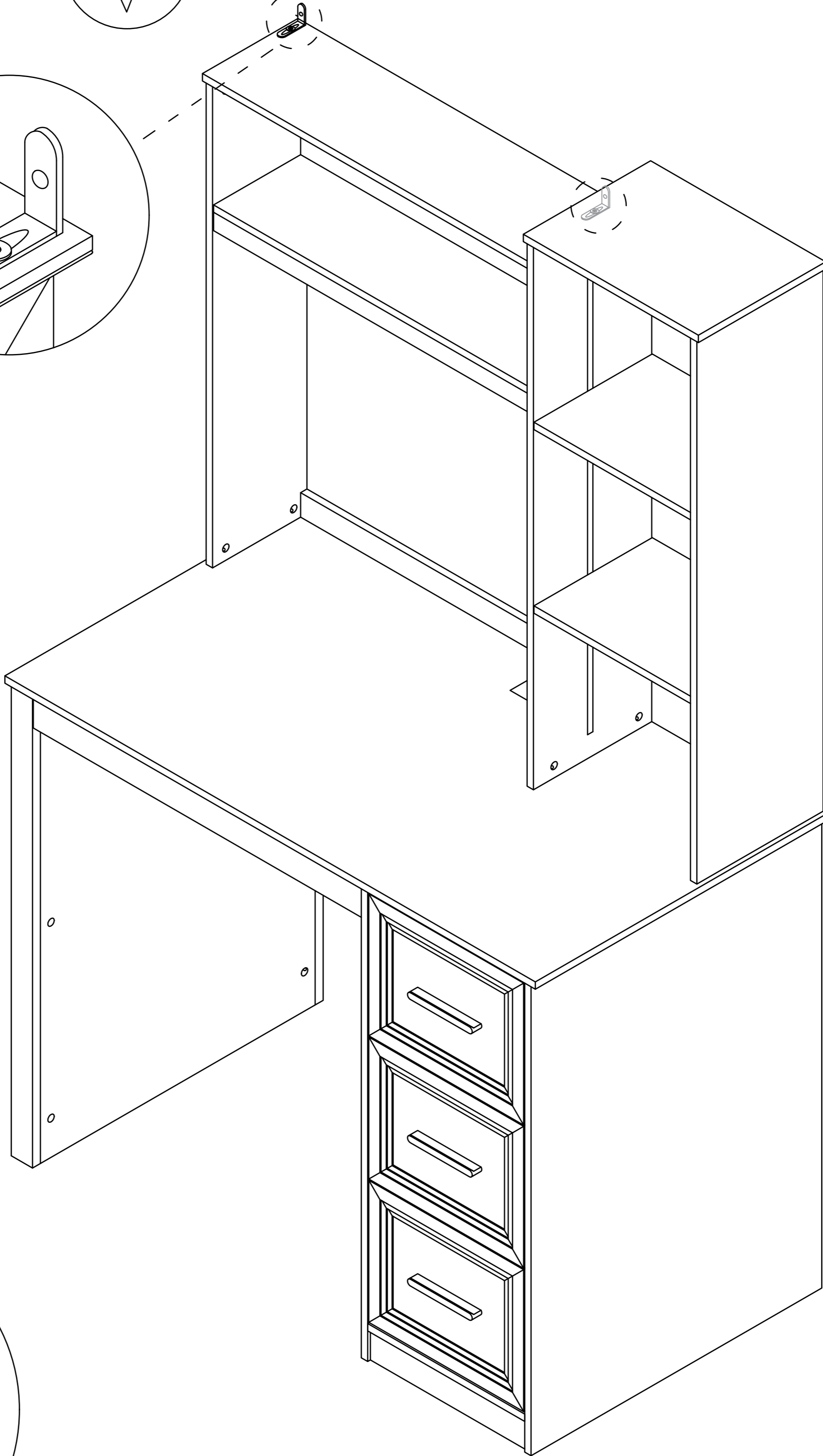
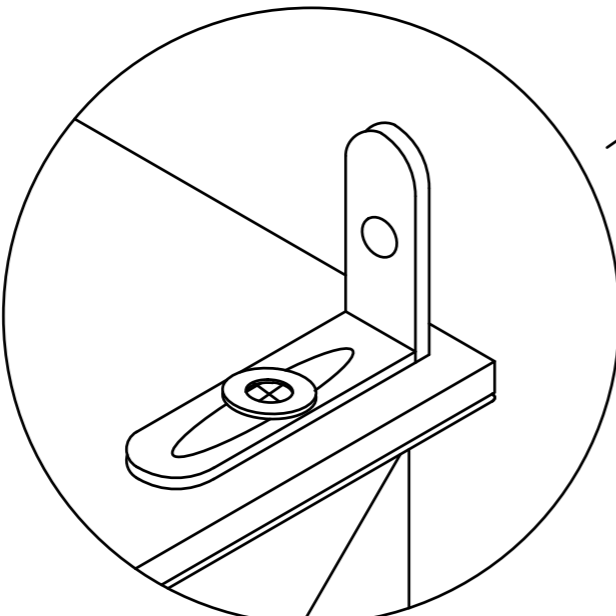
Install as required

(K)  x2  x2
 x2

3.5x14mm



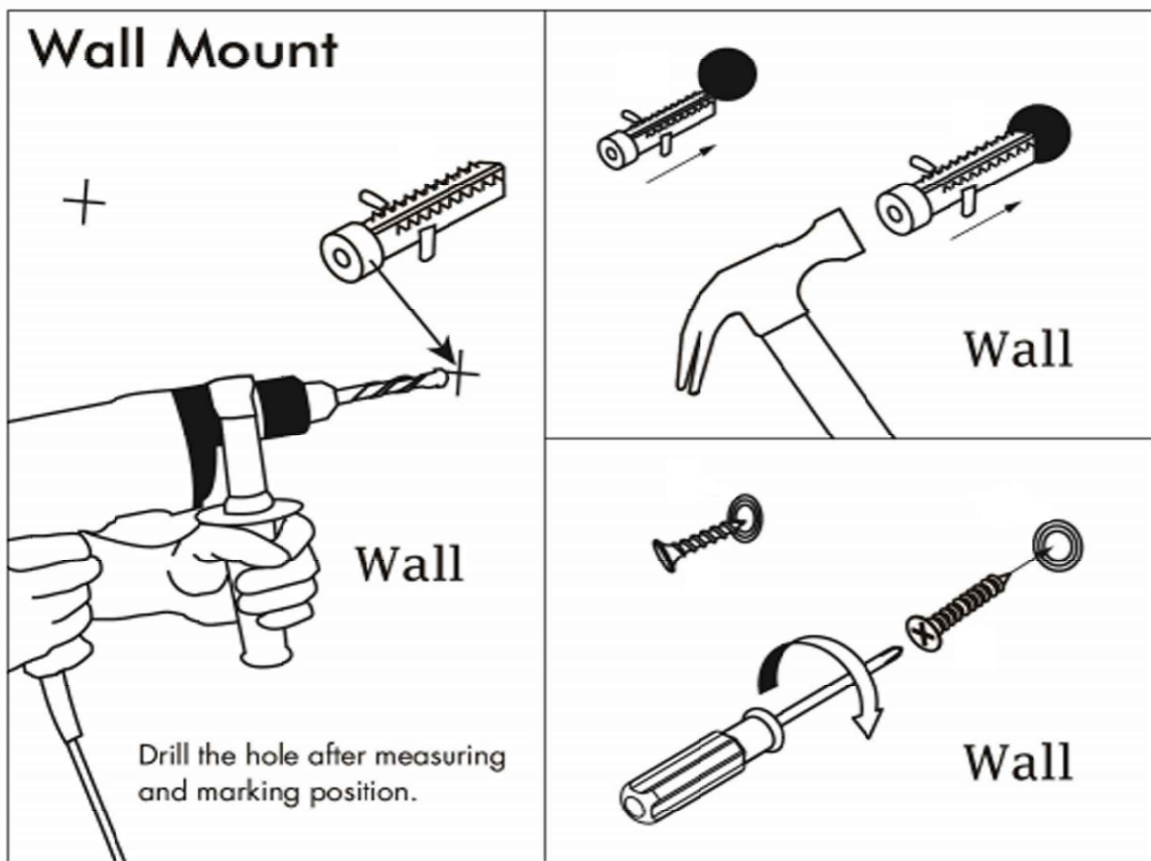
Install the anti fall hardware on the cabinet as shown in the picture first



Pen

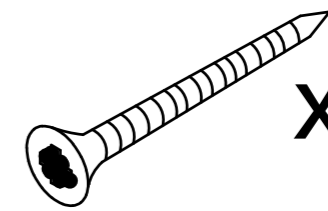
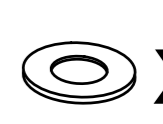
Then mark the wall with a pen through the holes in the anti-fall hardware

Step 63

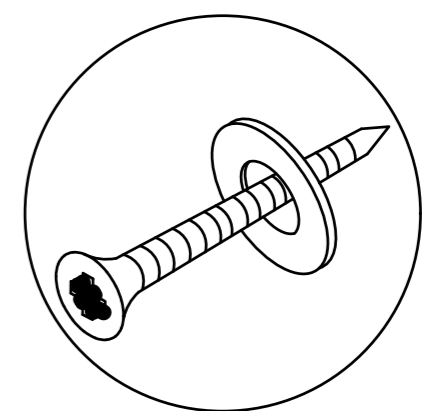
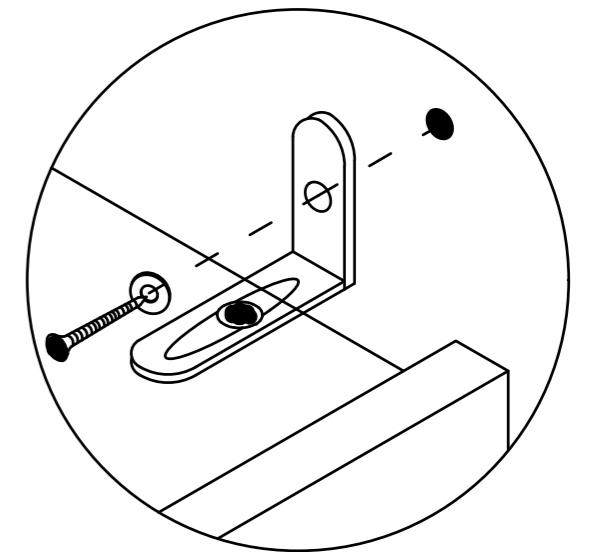
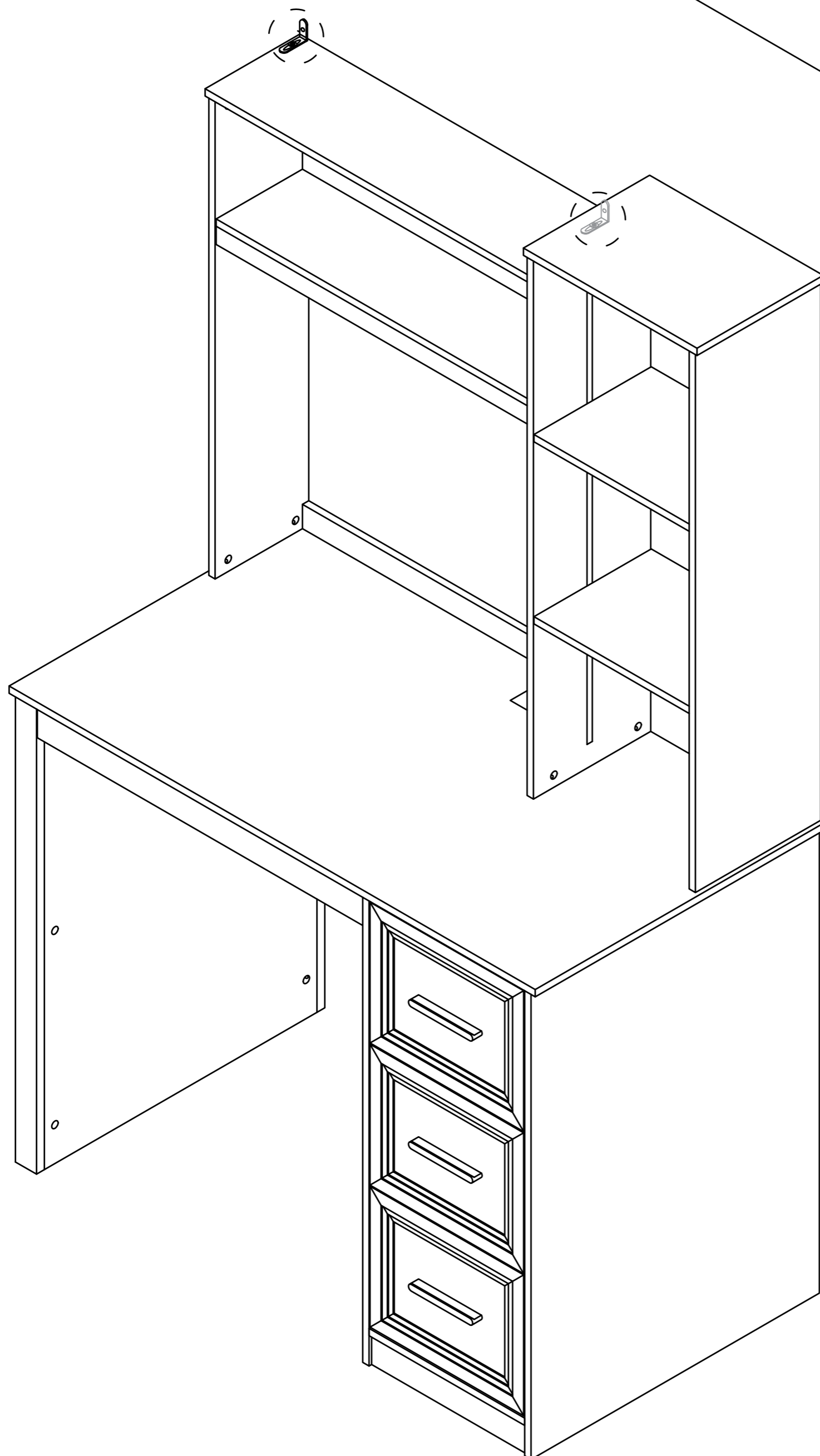


(K)

 x2

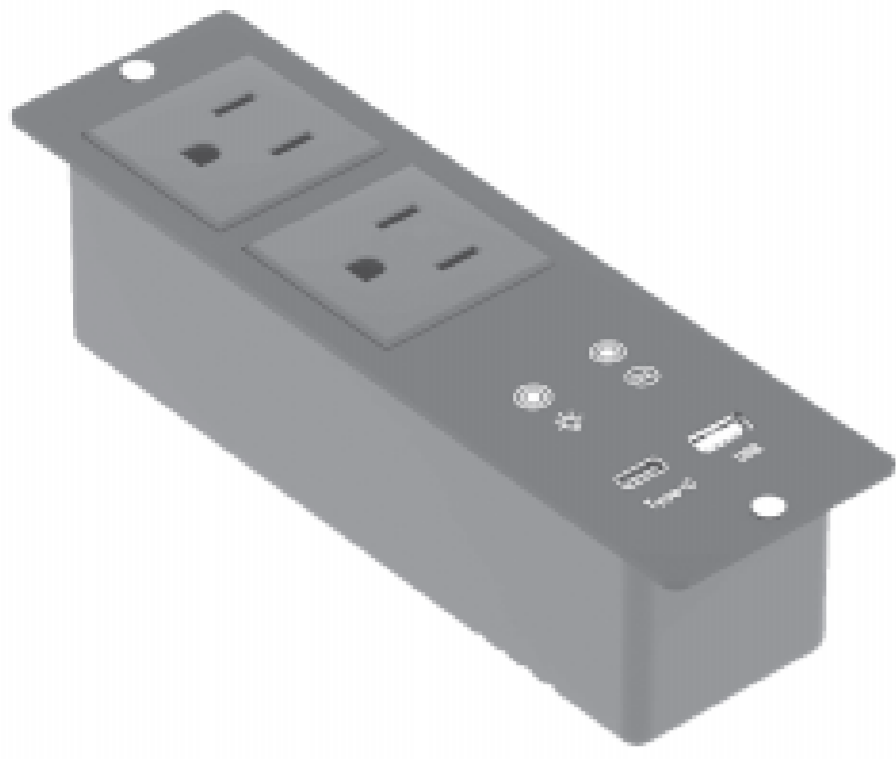
 x2  x2

Drill the hole with an electric drill and punch in the colloidal particles



4x45mm

Fix the dressing table to the wall



User's Guide

A27

Thank you for purchasing this product.

To use this product, please connect it to a power source.

Please use if the product works normally after connecting to power.

Introduction

The box is an intelligent controller. It has 1 USB output port 1 Type-c port and can distribute the current output up to 5V DC-2A. With 2 touch buttons, it can turn. ON/OFF the light, change light colors, and adjust the light luminance.

Operation



This touch button controls the on/off of the light

Short touch -> lighting on -> short touch -> lighting off.

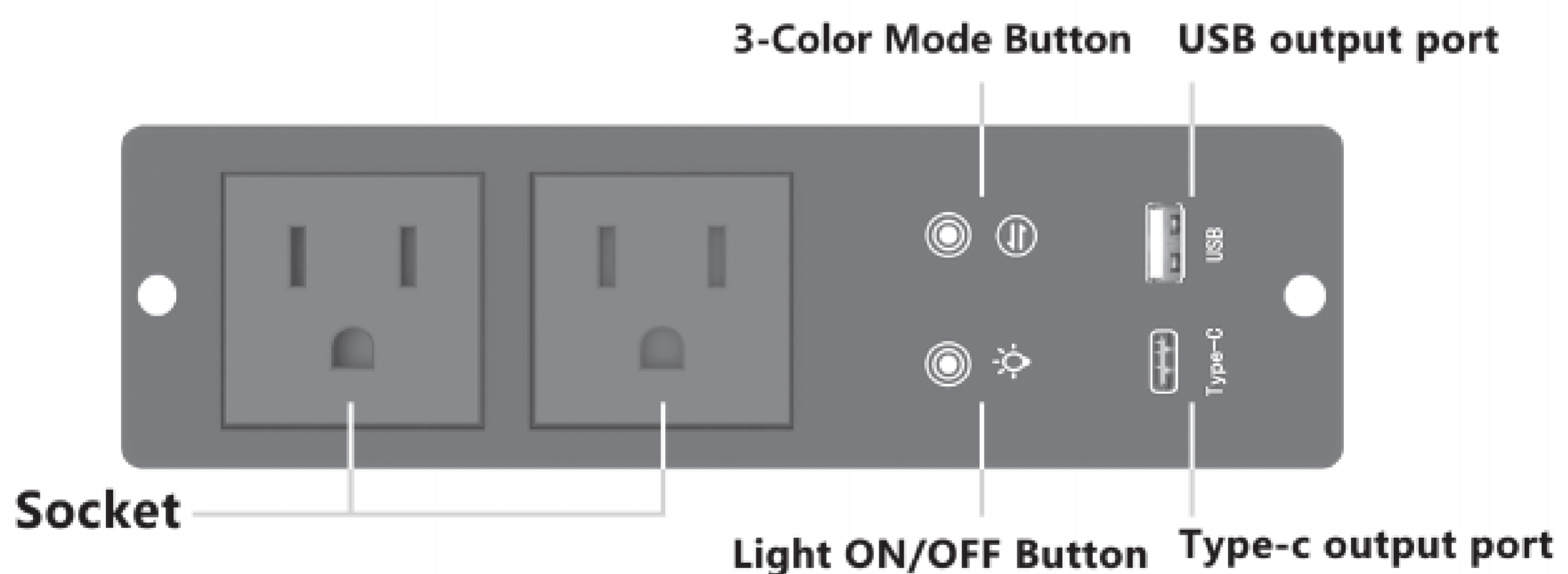


This touch button controls the color switching and brightness adjustment of the light

1. It can only be used when the light is on

2. Offering 3 different colors to choose from. Simply tap to cycle through the options.

3. Long touch -> adjust the luminance.



⚠ ATTENTION PLEASE

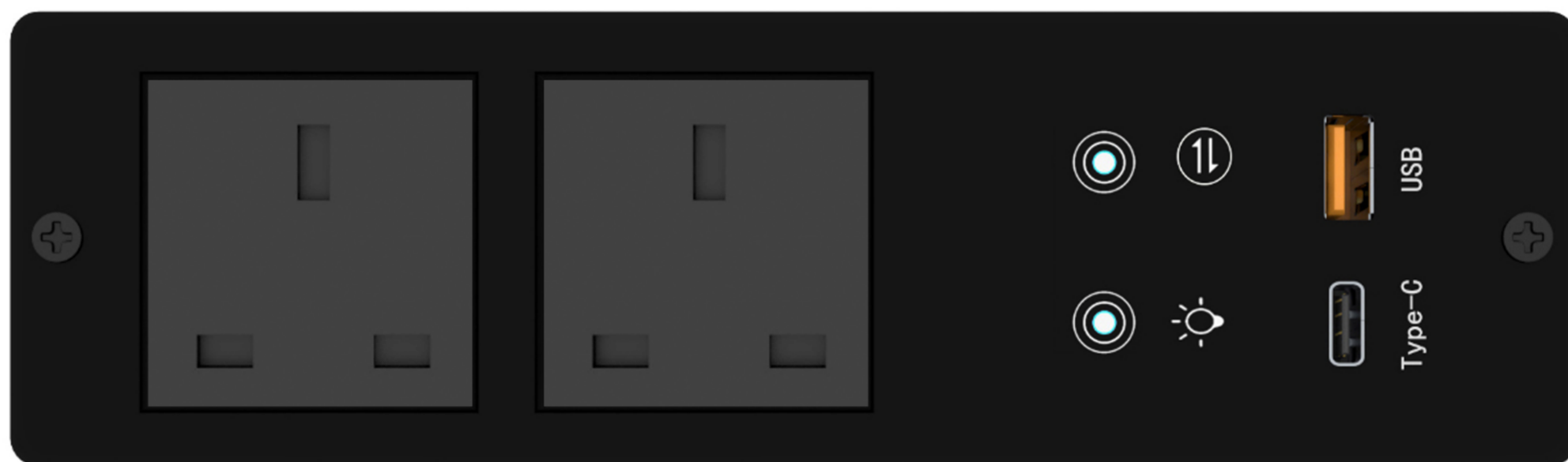
1. If there is no touch response suddenly, Re-plug the power to reset the touch static electricity.
2. If you have any questions when installing, please feel free to contact us. Thank you.

Socket styles differ by region,
but their overall functions remain unchanged.

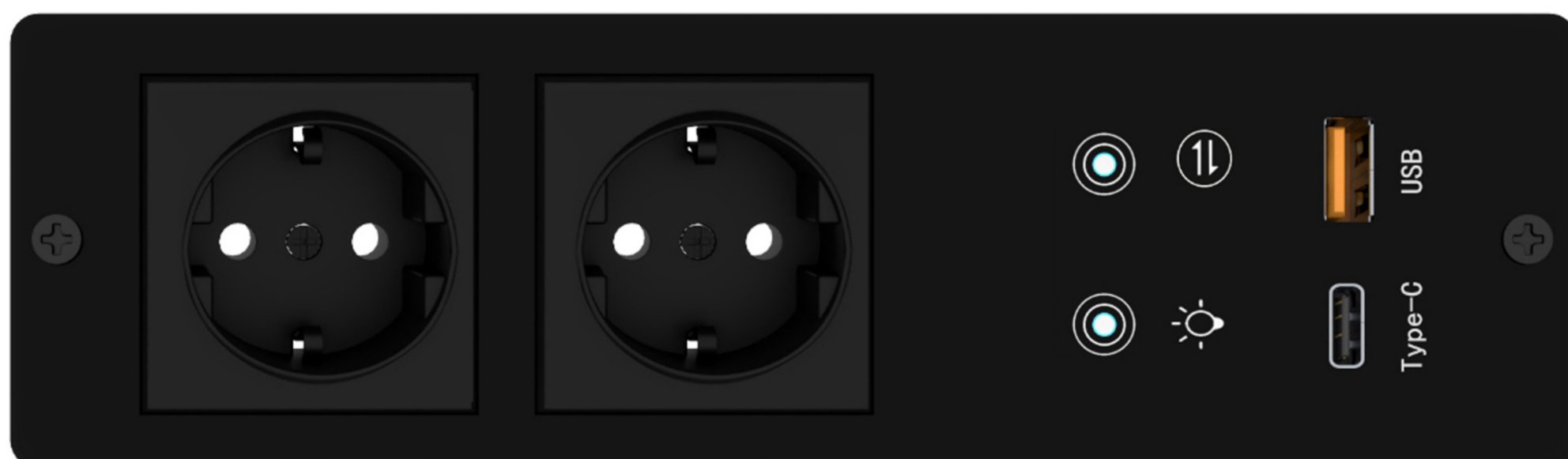
American socket



British Socket



European socket



Australian socket

