

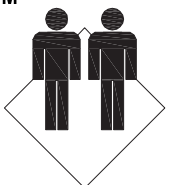
USER'S MANUAL
WICKER SOFA 7PCS

THIS INSTRUCTION BOOKLET CONTAINS **IMPORTANT** SAFETY INFORMATION. PLEASE READ AND KEEP FOR FUTURE REFERENCE.

Please give us a chance to make it right and do better !

Contact our friendly customer service department for help first.
Replacements for missing or damaged parts will be shipped ASAP!

FLOOR AREA
2MX2M



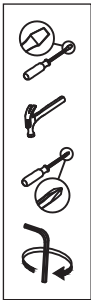
ASSEMBLED BY 2 ADULTS

Contact Us!

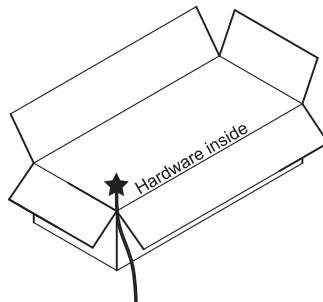
Do NOT return this item.

Contact our friendly customer service department for help first.

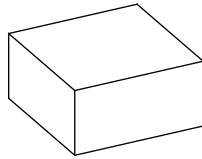
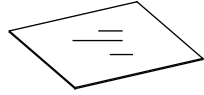
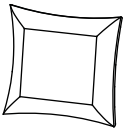
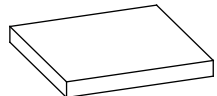
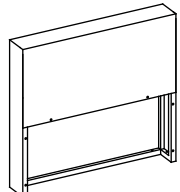
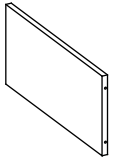
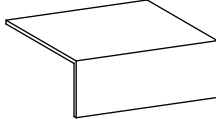
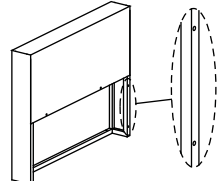
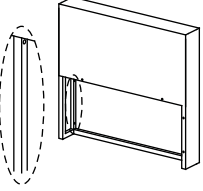
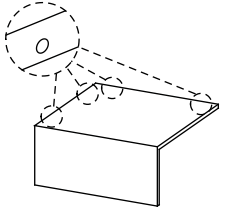
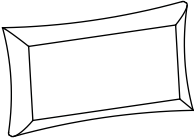
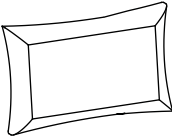
Before You Start





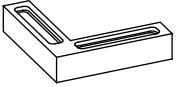


- ⚠ Read each step carefully before starting. It is very important to ensure each step followed in correct order, otherwise assembly difficulties may occur.
- ⚠ Most of board parts are labeled or stamped on the raw edges. Have a check to make sure all parts are included.
- ⚠ Work in a spacious area, preferably on a carpet close to where the unit will be used.
- ⚠ Keep the handtools close at hand. Do not use power tools to assemble your furniture. They may scratch or damage the parts.



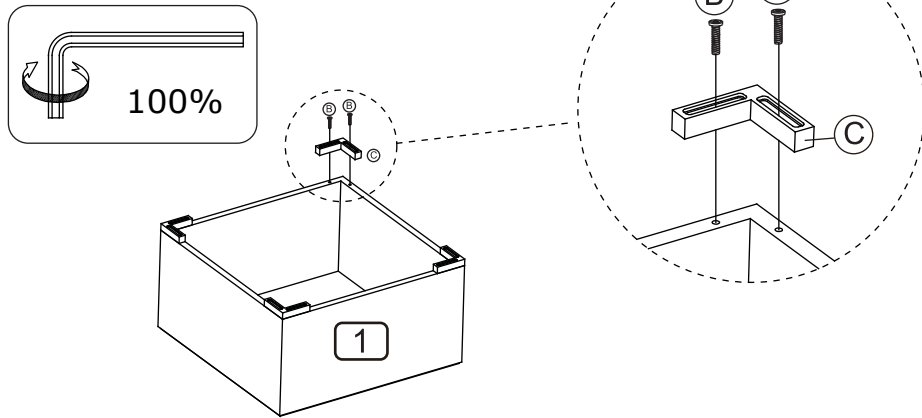
PARTS LIST

 1 Table 1pc	 2 Glass top 1pc	 3 Small pillow 2pcs	 4 Cushion seat 6pcs
 5 Middle chair back 4pcs	 6 Side panel 10pcs	 7 Middle chair seat 4pcs	 8 Long side of corner chair 2pcs
 9 Short side of corner chair 2pcs	 10 Seat of corner chair 2pcs	 11 Long Cushion back 6pcs	 12 Short Cushion Back 2pcs

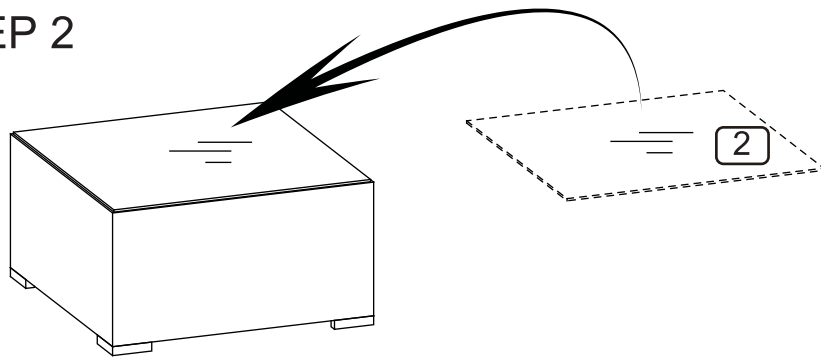
HARDWARE LIST

 M6x30 mm Bolt A 64 pcs	 M6x25 mm Bolt B 56 pcs	 Plastic feet C 28 pcs	 M4 Allen key D 2 pcs	 Plastic connector E 10 pcs
--	--	---	--	--

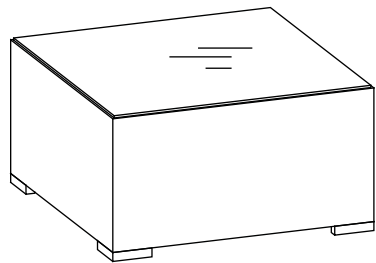
STEP 1



STEP 2

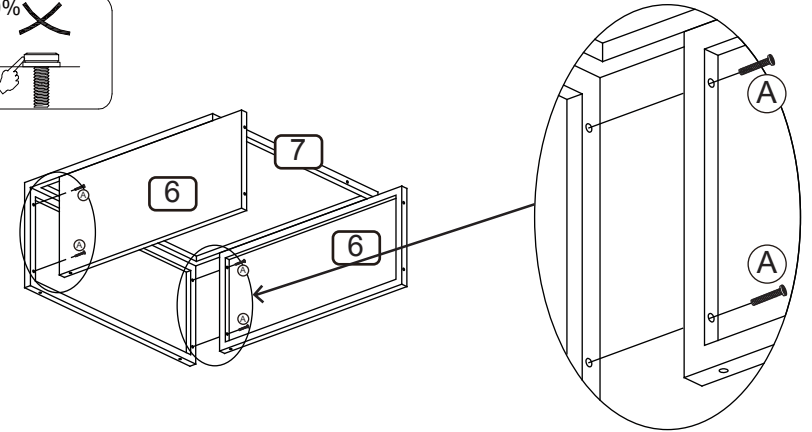
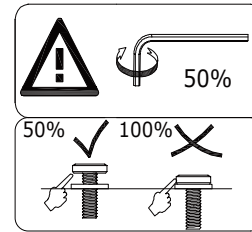


STEP 3

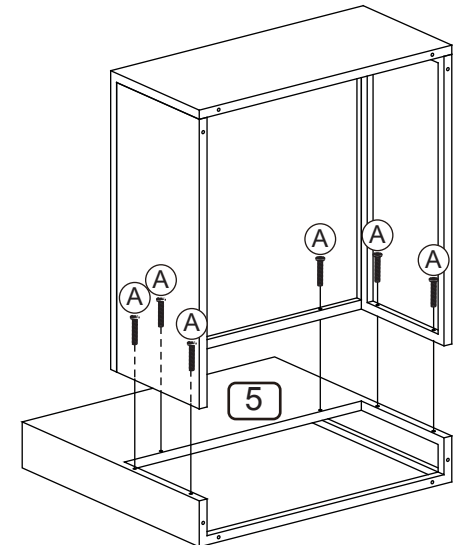
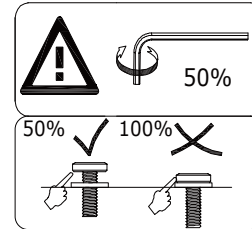


1 X Coffee Table

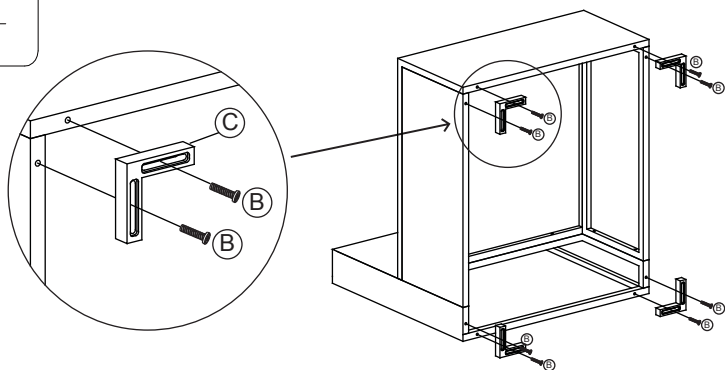
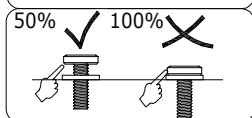
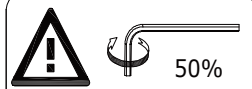
STEP 4: X4



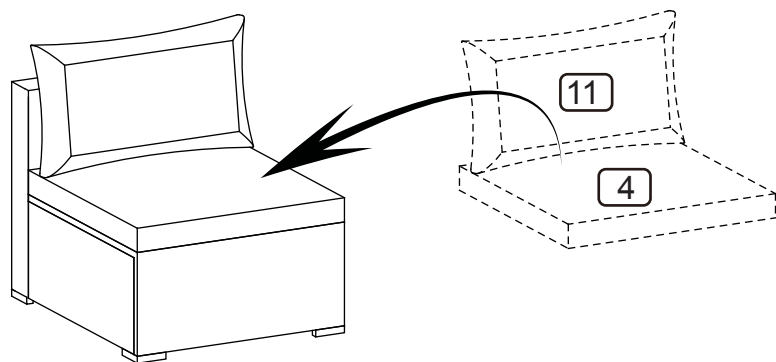
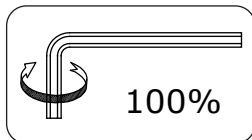
STEP 5: X4



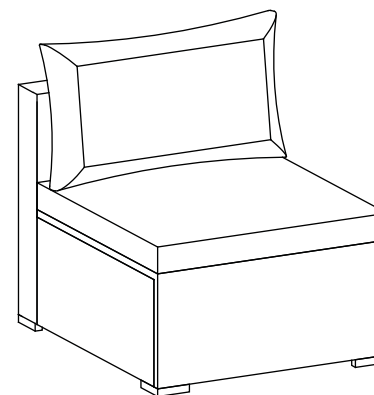
STEP 6: X4



STEP 7: X4

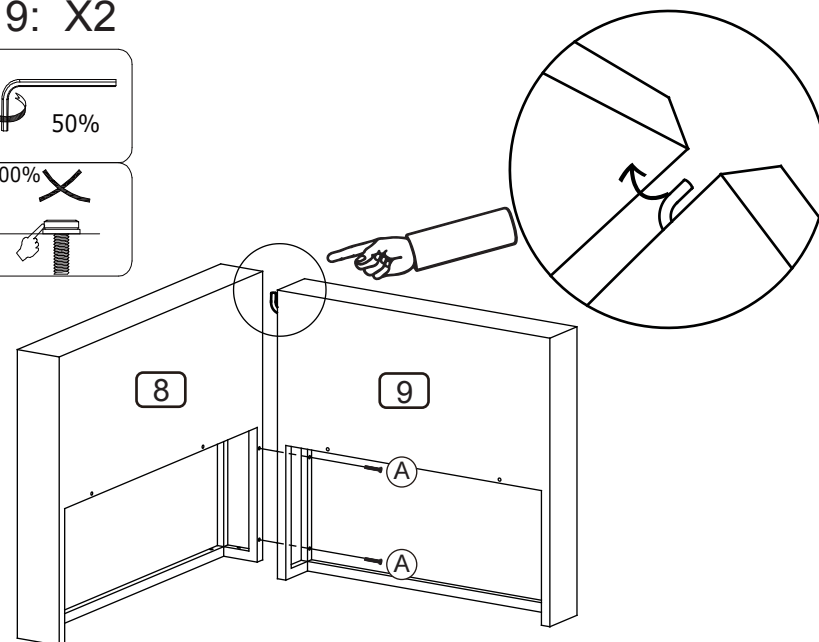
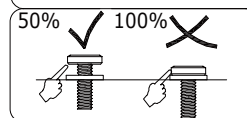


STEP 8

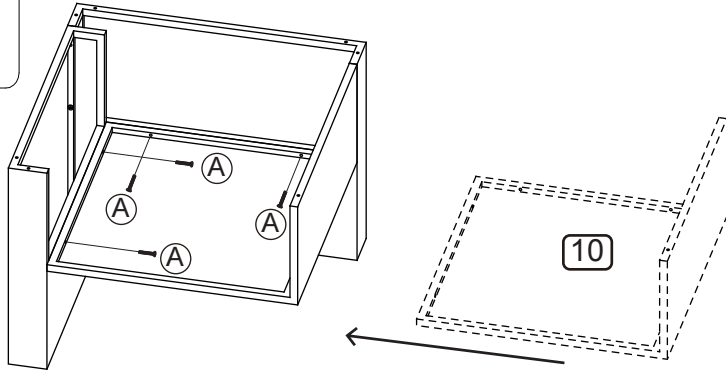
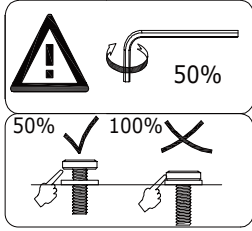


4 X Middle Sofa

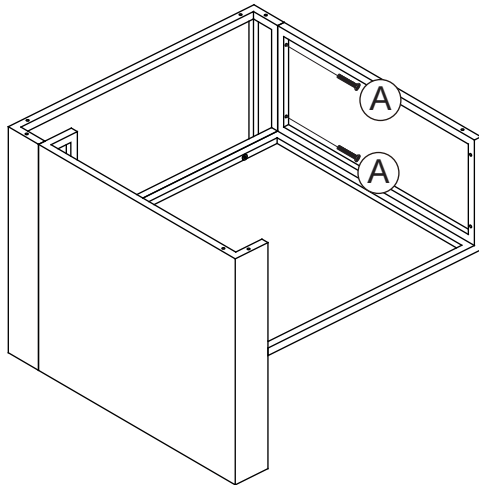
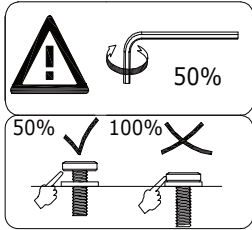
STEP 9: X2



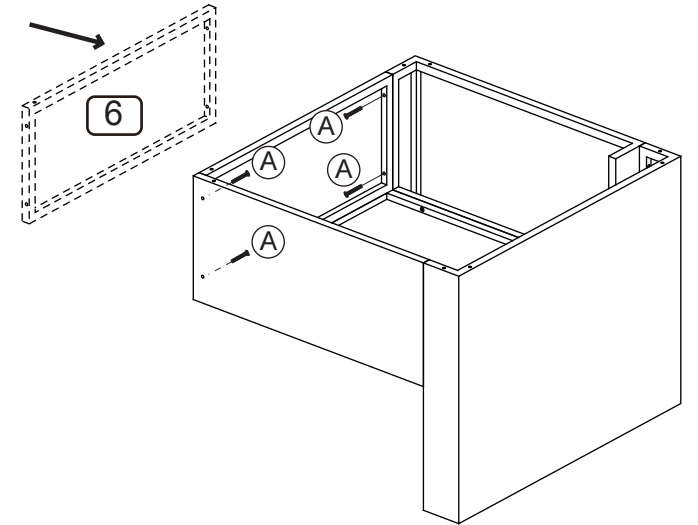
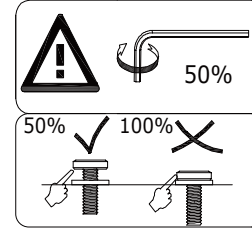
STEP 10: X2



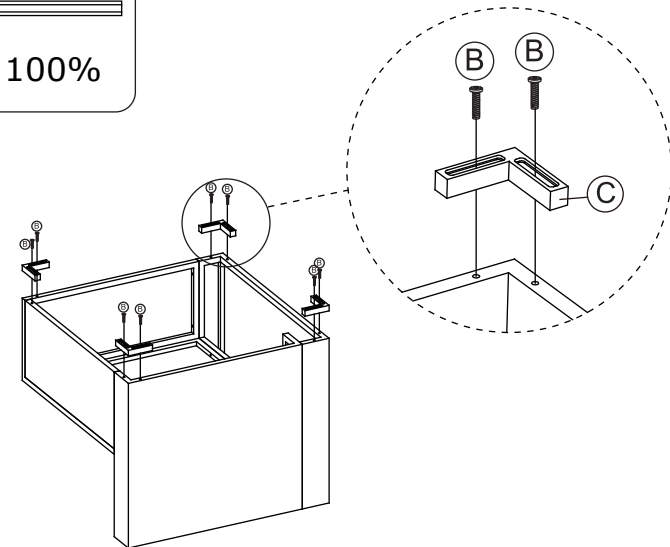
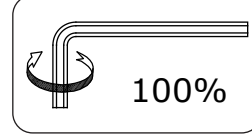
STEP 11: X2



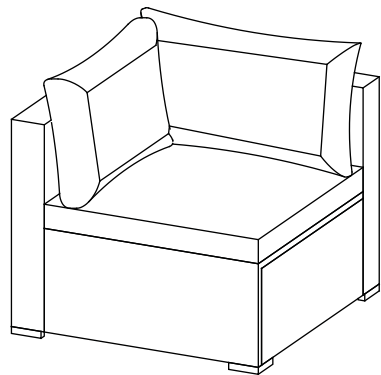
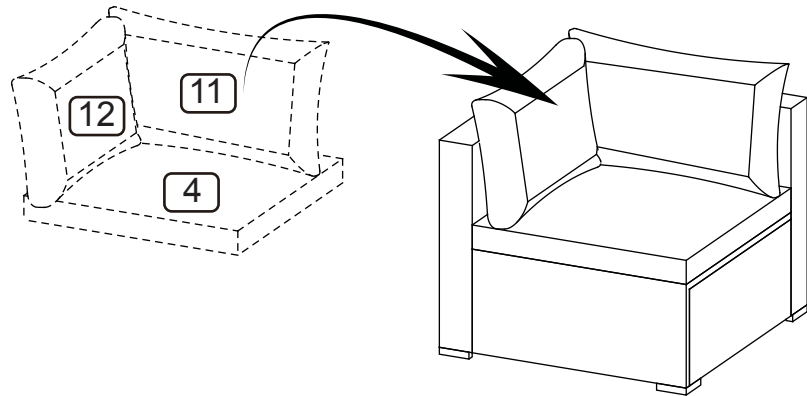
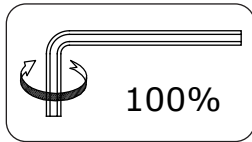
STEP 12: X2



STEP 13: X2

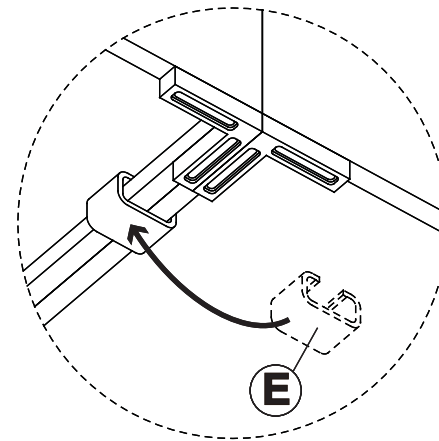
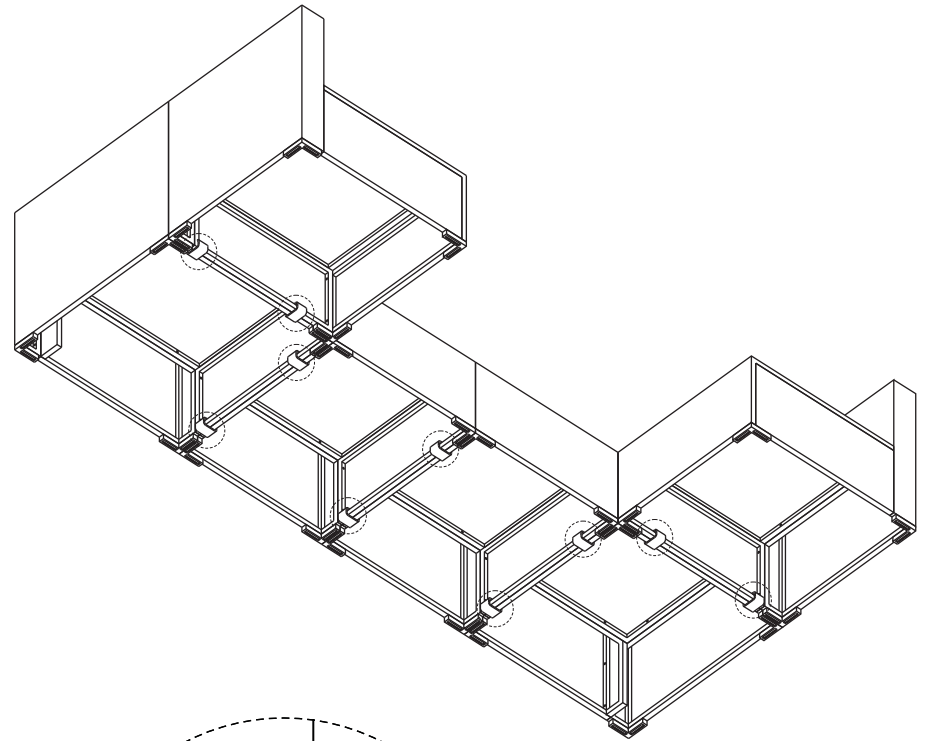


STEP 14: X2

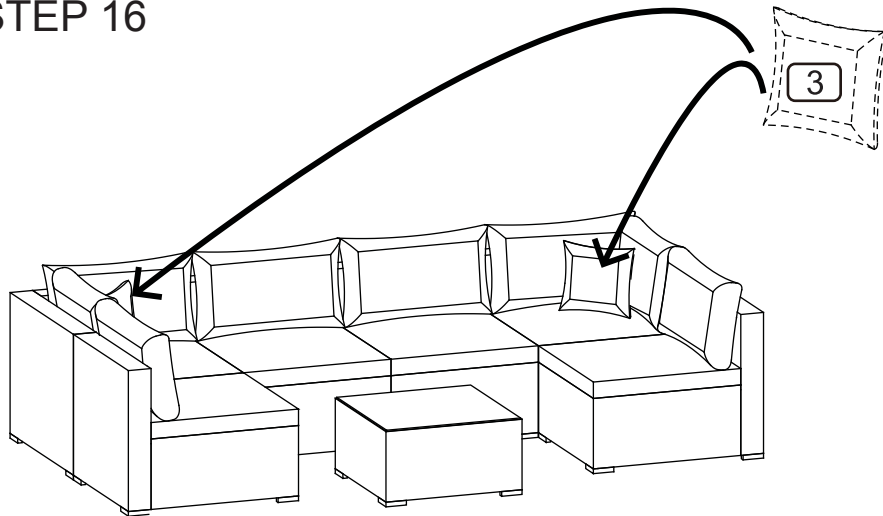


2 X Corner Sofa

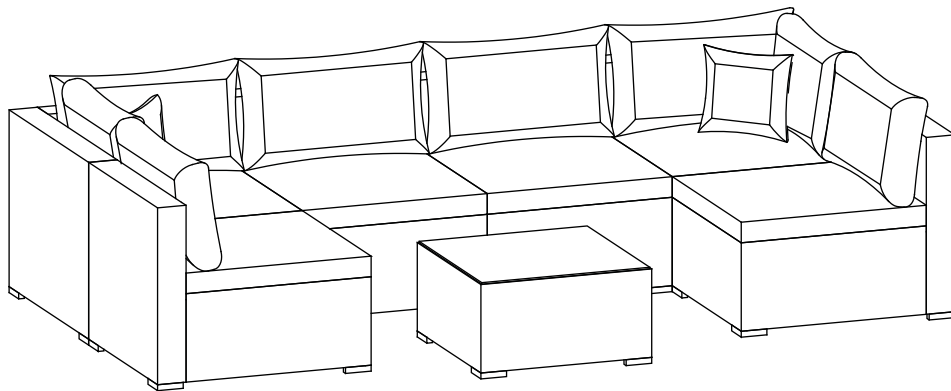
STEP 15



STEP 16



Combination and Arrangement



Care and Maintenance

Use a soft, clean cloth that will not scratch the surface when dusting.

Use of furniture polish is not necessary.

Should you choose to use polish, test first in an inconspicuous area.

Using solvents of any kind on your furniture may damage the finish.

Liquid spills should be removed immediately. Using a soft clean cloth, blot the spill gently. Avoid rubbing.

Check bolts/screws periodically and tighten them if necessary.

Further advice about wood furniture care

Please protect your outdoor furniture with a cover when not in use since Long-term sunlight exposure will result in the damage on the surface.

In addition to sunlight damage, wood and metal frame suffers when exposed to extremes in temperature and humidity.

Proper care and cleaning at home will extend the life of your purchase.

Following these important and helpful tips will enhance your furniture as it ages.