

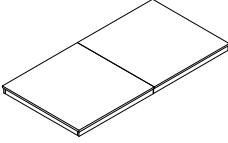
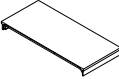

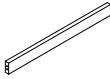

ASSEMBLY INSTRUCTION





CRT-SB-6-30-T : TRESTLE TABLE TOP

CRT-SB-6-30-B : TRESTLE TABLE BASE

Thank you for purchasing this quality product. Be sure to check all packing material carefully for small parts, which may have come loose inside the carton during shipment.

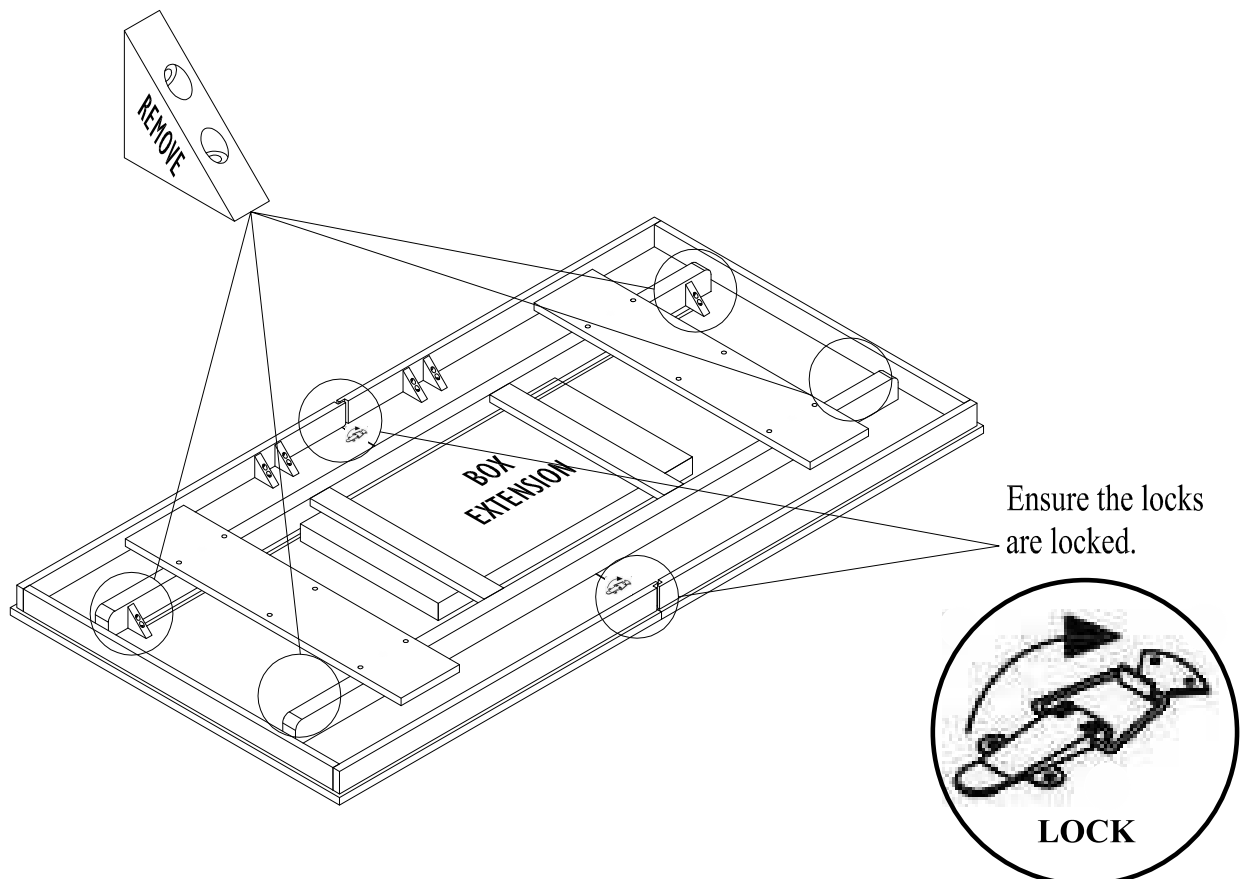
Identify and count all parts and compare with the Hardware List below.

No	Parts List		Qty
A		Top Table	1
B		Extension Table	1
C		Leg	2
D		Stretcher	1
E		Stretcher Cap	2

No	Hardware List			Qty
1		Allen Bolt	5/16" x 35mm	16
2		Lock Washer	5/16"	16
3		Flat Washer	Ø19/Ø8 x 2mm	16
4		Allen Key	M5 x 65mm	1

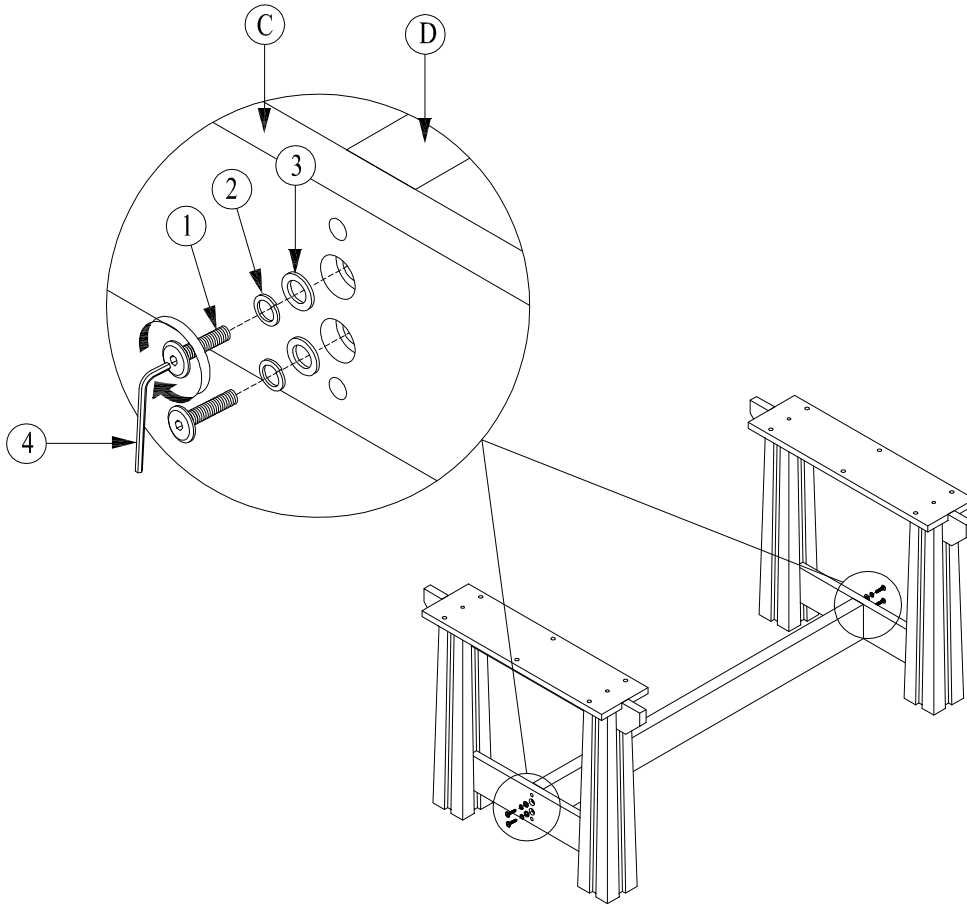
STEP 1

Lay the top table on the floor on a soft/padded surface. Remove the screws from wood block before starting to assemble table. Total 8 screws.



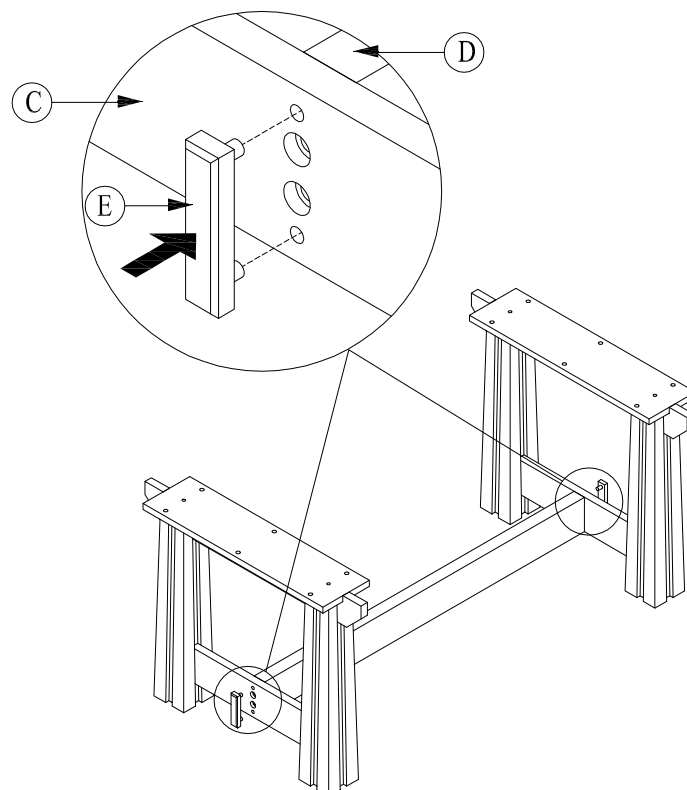
STEP 2

Secure both legs to the stretcher using parts provided in diagram.



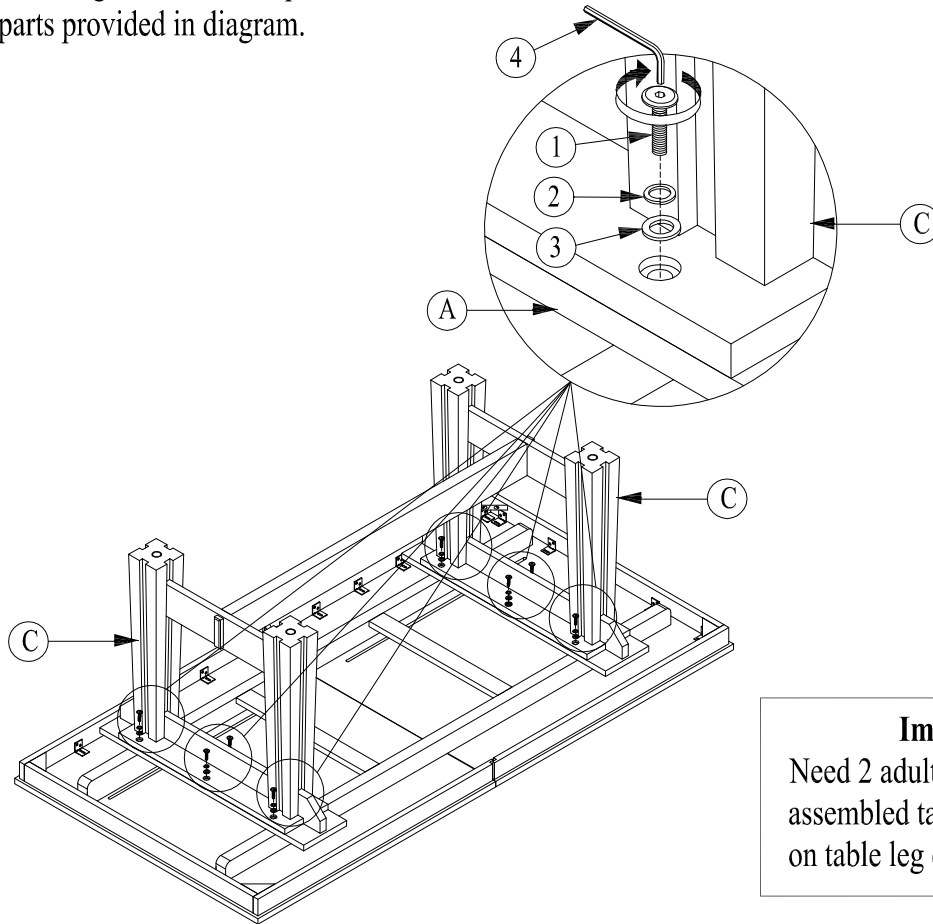
STEP 3

Attach the stretcher caps on the leg.



STEP 4

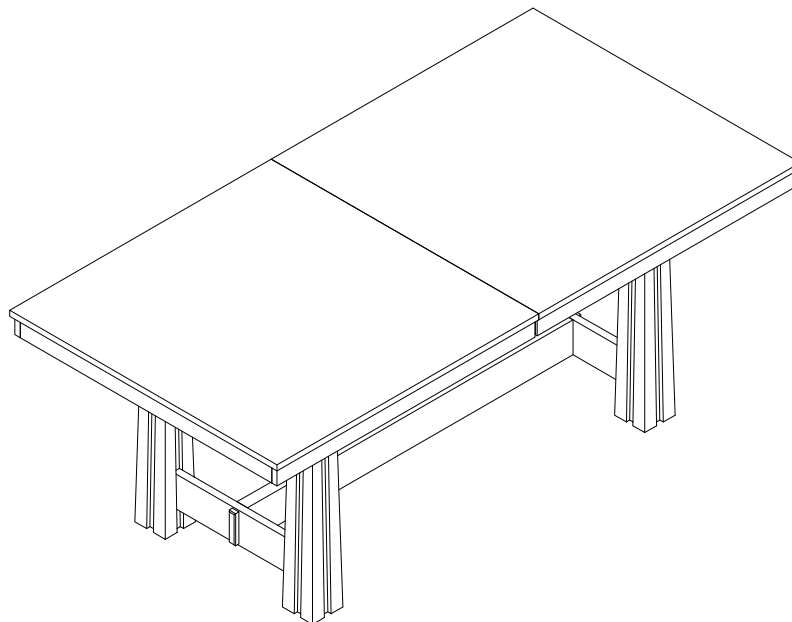
Secure both legs to the table top using parts provided in diagram.



Important Note
Need 2 adults to flip over the assembled table. Do not lean any weight on table leg during the flipping process

STEP 5

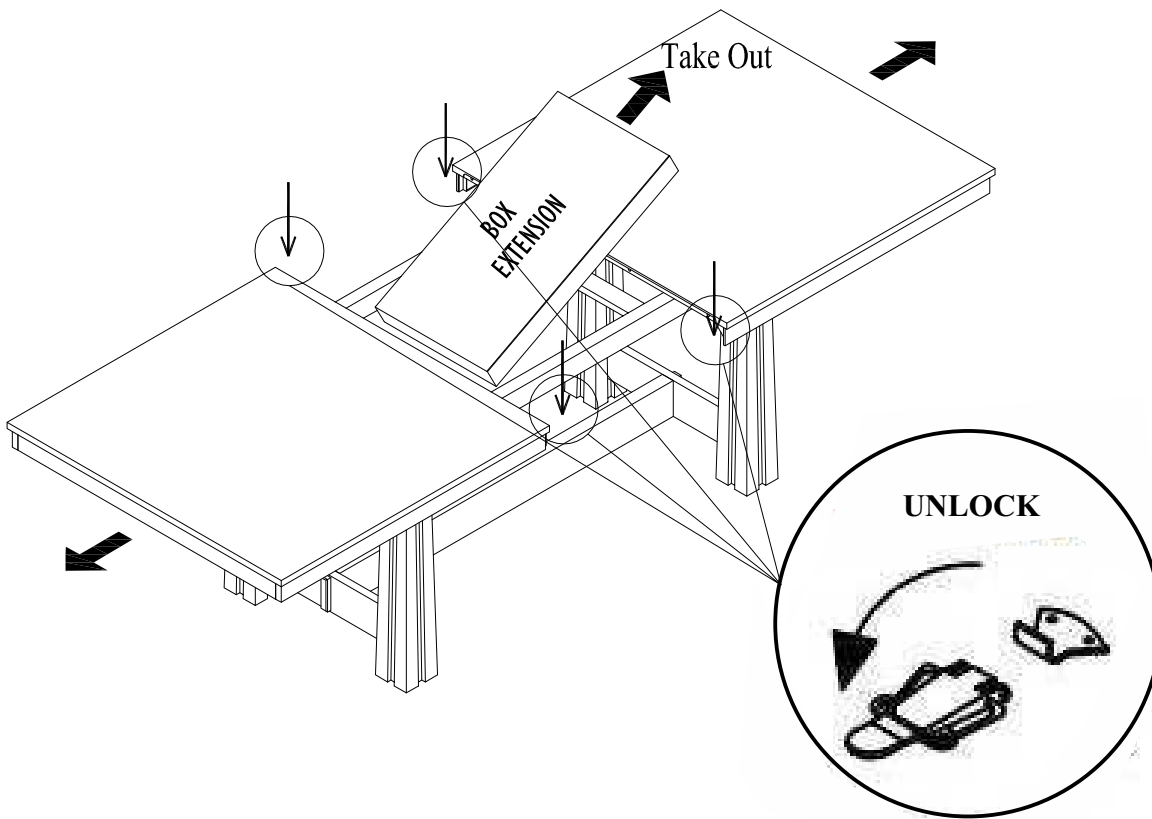
Using 2 adults, gently flip entire table right side up.



Need 2 adults to flip entire table over

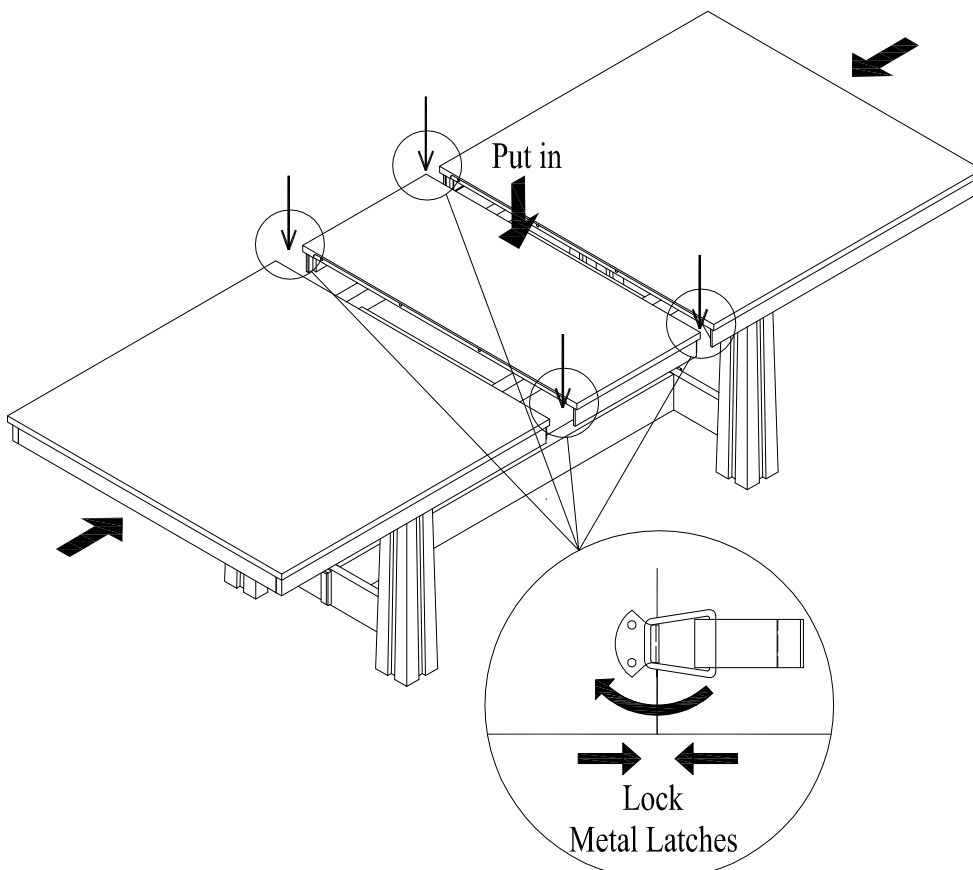
STEP 6

In case you would like to expand the table, unlock the metal latches underneath the table before attach extension table.



STEP 7

Ensure the brass pins are aligned with leaves and push the table ends towards the fixed top to close gaps. Lock the metal latches underneath the table.



STEP 8

Assembly complete with extension table.

