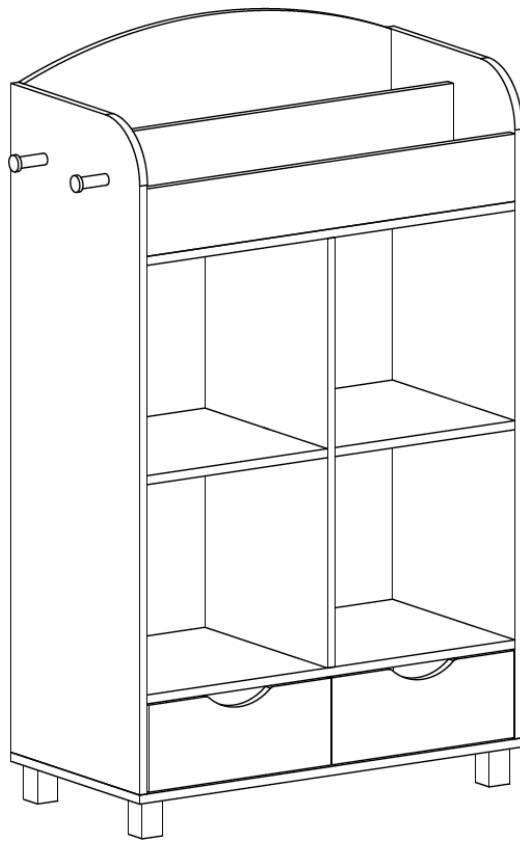


**ASSEMBLY INSTRUCTIONS
INSTRUCCIONES DE ENSAMBLAJE
INSTRUCTIONS D'ASSEMBLAGE
MONTAGEANLEITUNGEN**





WARNING

ADULT ASSEMBLY REQUIRED:

This product requires assembly by an adult because of small parts. Care should be taken in unpacking and assembling this item to keep small parts away from children. During assembly children should be kept away from the product due to possible risk of injury.

This product is suitable for children 3 years and older.

SERIOUS OR FATAL INJURIES CAN OCCUR FROM FURNITURE TIP-OVER. IN ORDER TO PREVENT OVERTURNING, THIS PRODUCT MUST BE USED WITH THE TIP-OVER RESTRAINTS OR WALL MOUNTING HARDWARE PROVIDED.

PLEASE READ WARNINGS BELOW.

- Product must be assembled exactly per these instructions. Failure to follow assembly instructions may result in possible risk of injury.
- Young children can be seriously injured or killed if furniture tips over. Install tip-over restraint provided. Use of tip-over restraints may only reduce, but not eliminate, the risk of tip-over.
- To help prevent furniture from tip-over or fall, this product must be secured to the wall using enclosed tip-over restraints or wall mounting hardware.
- Tip-over restraints and wall mounting hardware are provided with this product, however, you may need to source suitable hardware for your wall type. If in doubt, please consult a qualified tradesperson.
- Always check the suitability of the wall to ensure the tip-over restraints or wall mounting hardware will resist the forces applied to it.
- Always ensure any wall used for tip-over restraints or wall mounting hardware is free from hidden electrical wires, water, or gas pipes.
- Do not use this item for a TV stand or place heavy objects on top of item.
- Place heaviest items in the lowest drawers or shelves.
- Never allow children to climb or hang on to the drawers, doors, or shelves.
- Never open more than one drawer at a time or defeat/remove any drawer interlock system.

Weight Capacity: This product will hold up to 20 pounds (9.1kgs) per cubby, 10 pounds (4.5kgs) per drawer and 20 pounds (9.1kgs) in the bookrack for a total weight of 120 pounds (54.4kgs). Please do not overload product for risk of damage and/or serious injury or death.



ADVERTENCIA

REQUIERE QUE UN ADULTO REALICE EL ENSAMBLAJE:

Este producto requiere que un adulto lleve a cabo el ensamblaje debido a las piezas pequeñas. Debe tener cuidado al desempacar y ensamblar este artículo para mantener las piezas pequeñas alejadas de los niños. Los niños deben mantenerse alejados del producto durante el ensamblaje debido al posible riesgo de lesiones.

Este producto es adecuado para niños de 3 años en adelante.

LA CAÍDA DE LOS MUEBLES PUEDE OCASIONAR LESIONES GRAVES O FATALES. A FIN DE EVITAR ESTA SITUACIÓN, ESTE PRODUCTO DEBE SER UTILIZADO CON LAS SUJECIONES ANTIVUELCO O LOS HERRAJES DE PARED SUMINISTRADOS.
LEA LAS SIGUIENTES ADVERTENCIAS.

- Ensamble el producto exactamente como se indica en estas instrucciones. Si no se siguen estas instrucciones, existen riesgos de lesiones.
- Si los muebles se caen, los niños pequeños pueden sufrir lesiones graves o la muerte. Instale el sistema antivuelco provisto. El uso del sistema antivuelco solo puede reducir, pero no eliminar, el riesgo de caída.
- Para evitar que los muebles se caigan o se volteen, fije este producto a la pared con el sistema antivuelco incluido o con los herrajes de ensamblaje a la pared.
- Este producto cuenta con sistemas antivuelco y herrajes de ensamblaje a la pared; sin embargo, es posible que tenga que buscar los accesorios adecuados para su tipo de pared. Si tiene alguna inquietud al respecto, consulte a un comerciante calificado.
- Compruebe siempre la capacidad de la pared para asegurarse de que el sistema antivuelco o los herrajes de ensamblaje a la pared resistan las fuerzas aplicadas a ella.
- Asegúrese siempre de que cualquier pared utilizada para los sistemas antivuelco o los herrajes de ensamblaje a la pared esté libre de cables eléctricos ocultos, tuberías de agua o gas.
- No utilice este objeto como soporte para el televisor ni coloque objetos pesados sobre él.
- Coloque los artículos más pesados en los cajones o repisas más bajas.
- No permita que los niños se suban o se aferren a los cajones, puertas o repisas.
- No abra nunca más de un cajón a la vez o anule/elimine cualquier sistema de interbloqueo de cajones.

Capacidad de peso: Este producto soporta un total de 120 libras (54,4 kg); 20 libras (9,1 kg) por compartimiento, 10 libras (4,5 kg) por cajón y 20 libras (9,1 kg) en la estantería para libros. No sobrecargue el producto para evitar el riesgo de daños o lesiones graves o la muerte.



AVERTISSEMENT

L'ASSEMBLAGE DOIT ÊTRE EFFECTUÉ PAR UN ADULTE :

Ce produit doit être assemblé par un adulte à cause de la présence de petites pièces. Lorsque vous déballez et assemblez cet article, veillez à tenir les petites pièces hors de portée des enfants. Les enfants doivent être tenus à l'écart du produit en raison du risque de blessure pendant l'assemblage.

Ce produit peut convenir aux enfants de 3 ans et plus.

LE BASCULEMENT D'UN MEUBLE PEUT CAUSER DES BLESSURES GRAVES VOIRE MORTELLES. CE PRODUIT DOIT ÊTRE UTILISÉ AVEC LES DISPOSITIFS DE RETENUE ANTI-BASCULEMENT OU LE MATÉRIEL DE FIXATION MURALE FOURNI AFIN D'ÉVITER TOUT BASCULEMENT.

VEUILLEZ LIRE LES AVERTISSEMENTS CI-DESSOUS.

- Le produit doit être assemblé exactement selon ces instructions. Le non-respect des instructions de montage peut entraîner un risque de blessure.
- Les enfants en bas âge peuvent être gravement blessés ou tués par le basculement d'un meuble. Installez les dispositifs de retenue anti-basculement fournis. L'utilisation de dispositifs de retenue anti-basculement peut uniquement réduire le risque de basculement; il n'élimine pas ce risque.
- Ce produit doit être fixé au mur à l'aide de dispositifs de retenue anti-basculement ou de matériel de fixation murale pour éviter que le meuble ne bascule et ne tombe.
- Les dispositifs de retenue anti-basculement et le matériel de fixation murale sont fournis avec ce produit. Toutefois, vous devrez peut-être vous procurer du matériel convenant à votre type de mur. Veuillez consulter un professionnel qualifié en cas de doute.
- Vérifiez toujours la résistance du mur pour s'assurer que les dispositifs de retenue anti-basculement ou les accessoires de fixation murale résistent aux forces qui lui sont appliquées.
- Assurez-vous toujours que les murs utilisés pour les dispositifs de retenue anti-basculement ou le matériel de montage mural soient exempts de fils électriques, de conduites d'eau ou de gaz cachés.
- N'utilisez pas cet objet comme support de téléviseur et évitez de placer des objets lourds au-dessus de celui-ci.
- Placez les objets les plus lourds dans les tiroirs ou sur les étagères inférieures.
- Ne laissez jamais les enfants monter ou s'accrocher aux tiroirs, portes ou étagères.
- N'ouvrez jamais plusieurs tiroirs en même temps, et ne démontez et ne retirez jamais le système de verrouillage du tiroir.

Capacité de poids : Ce produit peut supporter jusqu'à 20 livres (9,1 kg) par casier, 10 livres (4,5 kg) par tiroir et 20 livres (9,1 kg) sur la bibliothèque, pour un poids total de 120 livres (54,4 kg). Veuillez ne pas surcharger le produit pour éviter tout risque de dommage et de blessure grave ou mortelle.



WARNUNG

MONTAGE DURCH ERWACHSENE ERFORDERLICH:

Dieses Produkt muss wegen der kleinen Teile von einem Erwachsenen zusammengebaut werden. Beim Auspacken und Zusammenbau dieses Artikels ist darauf zu achten, dass Kleinteile von Kindern ferngehalten werden. Während der Montage sollten Kinder wegen möglicher Verletzungsgefahr vom Produkt ferngehalten werden.

Dieses Produkt ist für Kinder ab 3 Jahren geeignet.

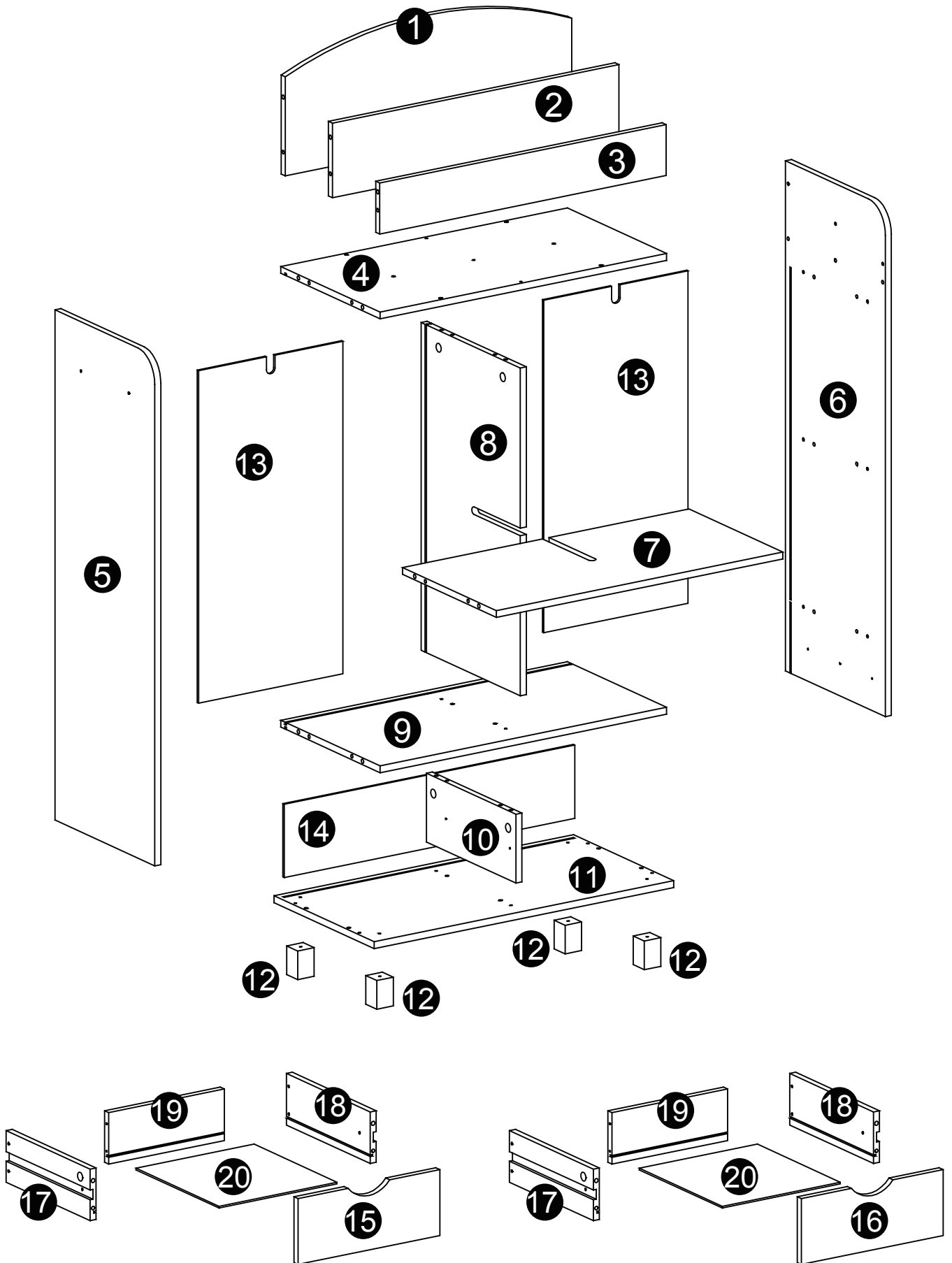
BEIM UMKIPPEN VON MÖBELN KANN ES ZU SCHWEREN ODER TÖDLICHEN VERLETZUNGEN KOMMEN. UM EIN UMKIPPEN ZU VERHINDERN, MUSS DIESES PRODUKT MIT DEN MITGELIEFERTEN KIPPSICHERUNGEN ODER WANDBEFESTIGUNGSTEILEN VERWENDET WERDEN.

BITTE LESEN SIE DIE FOLGENDEN WARNHINWEISE.

- Das Produkt muss genau nach diesen Anweisungen zusammengebaut werden. Die Nichtbeachtung der Montageanweisungen kann zu einer möglichen Verletzungsgefahr führen.
- Kleine Kinder können schwer verletzt oder getötet werden, wenn Möbel umkippen. Installieren Sie die mitgelieferte Kippsicherung. Die Verwendung von Kippsicherungen kann das Risiko des Umkippens nur verringern, aber nicht ausschließen.
- Um zu verhindern, dass Möbelstücke umkippen oder herunterfallen, muss dieses Produkt mit beiliegenden Kippsicherungen oder einer Wandhalterung an der Wand befestigt werden.
- Kippsicherungen und Wandhalterungen werden mit diesem Produkt mitgeliefert, Sie müssen jedoch möglicherweise geeignetes Zubehör für Ihren Wandtyp beschaffen. Im Zweifelsfall wenden Sie sich bitte an einen qualifizierten Händler.
- Prüfen Sie immer die Eignung der Wand, um sicherzustellen, dass die Kippsicherungen oder Wandhalterung den auf sie einwirkenden Kräften standhalten.
- Stellen Sie immer sicher, dass alle Wände, die für Kippsicherungen oder Wandhalterungen verwendet werden, frei von versteckten elektrischen Leitungen, Wasser- oder Gasrohren sind.
- Verwenden Sie diesen Gegenstand nicht als TV-Ständer und stellen Sie keine schweren Gegenstände darauf.
- Legen Sie die schwersten Gegenstände in die untersten Schubladen oder Regalfächer.
- Lassen Sie Kinder niemals auf Schubladen, Türen oder Regalböden klettern oder sich daran hängen.
- Niemals mehr als eine Schublade gleichzeitig öffnen oder ein Schubladenverriegelungssystem außer Kraft setzen/entfernen.

Gewichtskapazität: Dieses Produkt fasst bis zu 9,1 kg (20 Pfund) pro Fach, 4,5 kg (10 Pfund) pro Schublade und 9,1 kg (20 Pfund) auf der Bücherablage bis zu einem Gesamtgewicht von 54,4 kg (120 Pfund). Bitte überlasten Sie das Produkt nicht, da die Gefahr von Schäden und/oder schweren Verletzungen oder Tod besteht.




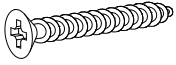
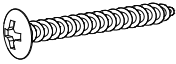
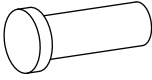
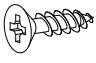
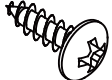
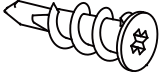


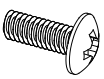
PARTS LIST



PARTS LIST

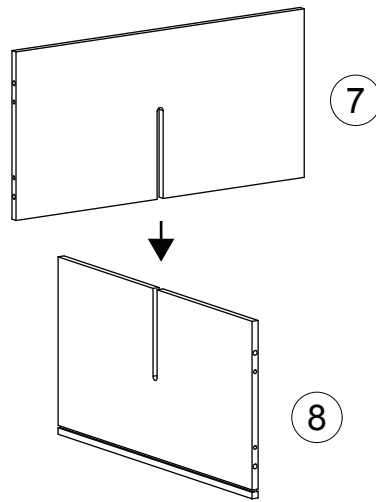
NO	QTY	DESCRIPTION
1	1PC	Top Rear Vertical Board
2	1PC	Top Middle Vertical Board
3	1PC	Top Front Vertical Board
4	1PC	Top Board
5	1PC	Left Side Panel
6	1PC	Right Side Panel
7	1PC	Middle Shelf
8	1PC	Middle Support Panel
9	1PC	Lower Shelf
10	1PC	Divider Board
11	1PC	Bottom Board
12	4PCS	Wood Leg
13	2PCS	Upper Back Board
14	1PC	Lower Back Board
15	1PC	Left Drawer Front Board
16	1PC	Right Drawer Front Board
17	2PCS	Drawer Left Side Board
18	2PCS	Drawer Right Side Board
19	2PCS	Drawer Back Board
20	2PCS	Drawer Bottom Board

PARTS LIST

NO	PARTS	QTY	DESCRIPTION
A		26PCS	Cam Bolt
B		26PCS	Cam Lock
C		40PCS	Wood Dowel
D		2PCS	Screw (4x30mm)
E		25PCS	Screw (4x35mm)
F		2PCS	Wood Peg
G		12PCS	Screw (3x12mm)
L		2PCS	Screw (4x10mm)
M		2PCS	Plastic Anchor
N		2PCS	Adjustable Anchor Bracket
O		4PCS	Drawer Slide
P		4PCS	Machine Screw (4x10mm)

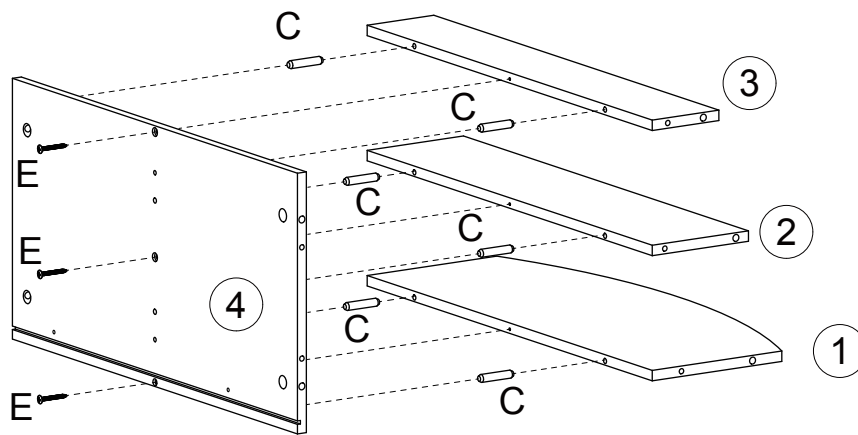
**TOOLS NEEDED FOR ASSEMBLY: FLAT & PHILLIPS SCREWDRIVER (NOT INCLUDED)
 THE USE OF A POWER SCREWDRIVER IS NOT RECOMMENDED FOR ASSEMBLY
 DO NOT USE ITEM IF ANY PARTS ARE MISSING OR DAMAGED**

STEP 1



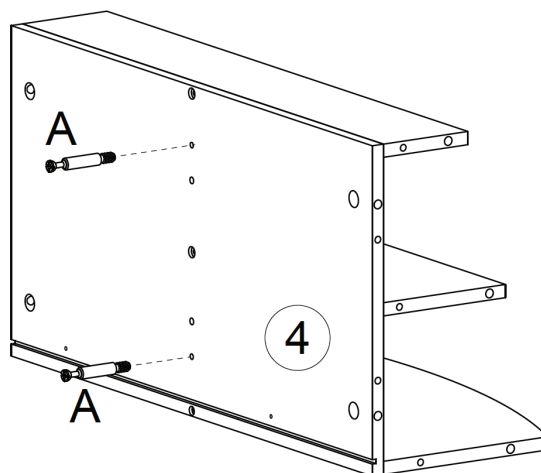
1. Slide middle shelf (7) onto middle support panel (8).

STEP 2



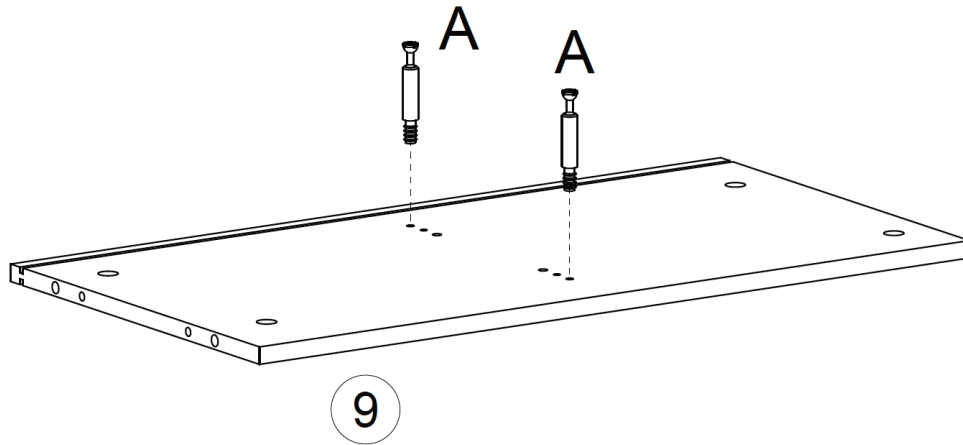
1. Insert 6 wood dowels (C) into wood dowel holes on vertical boards (1, 2, 3).
2. Attach vertical boards (1, 2, 3) to top board (4) by inserting wood dowels (C) into wood dowel holes on top board (4).
3. Insert 3 screws (E) through screw holes on top board (4), then tighten to vertical boards (1, 2, 3).

STEP 3



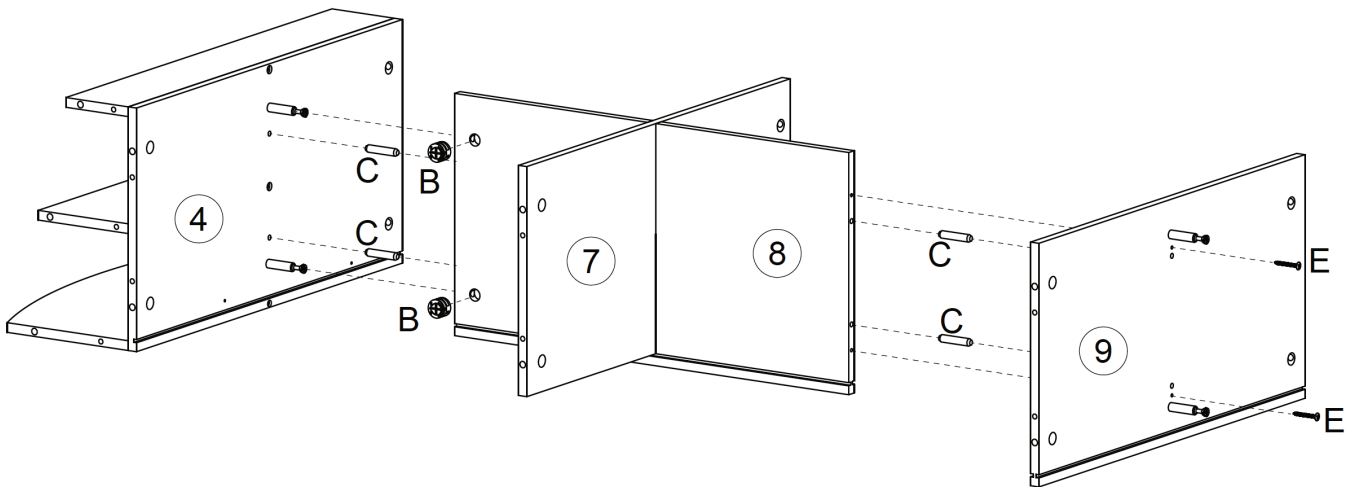
1. Screw 2 cam bolts (A) into cam bolt holes on top board (4).

STEP 4



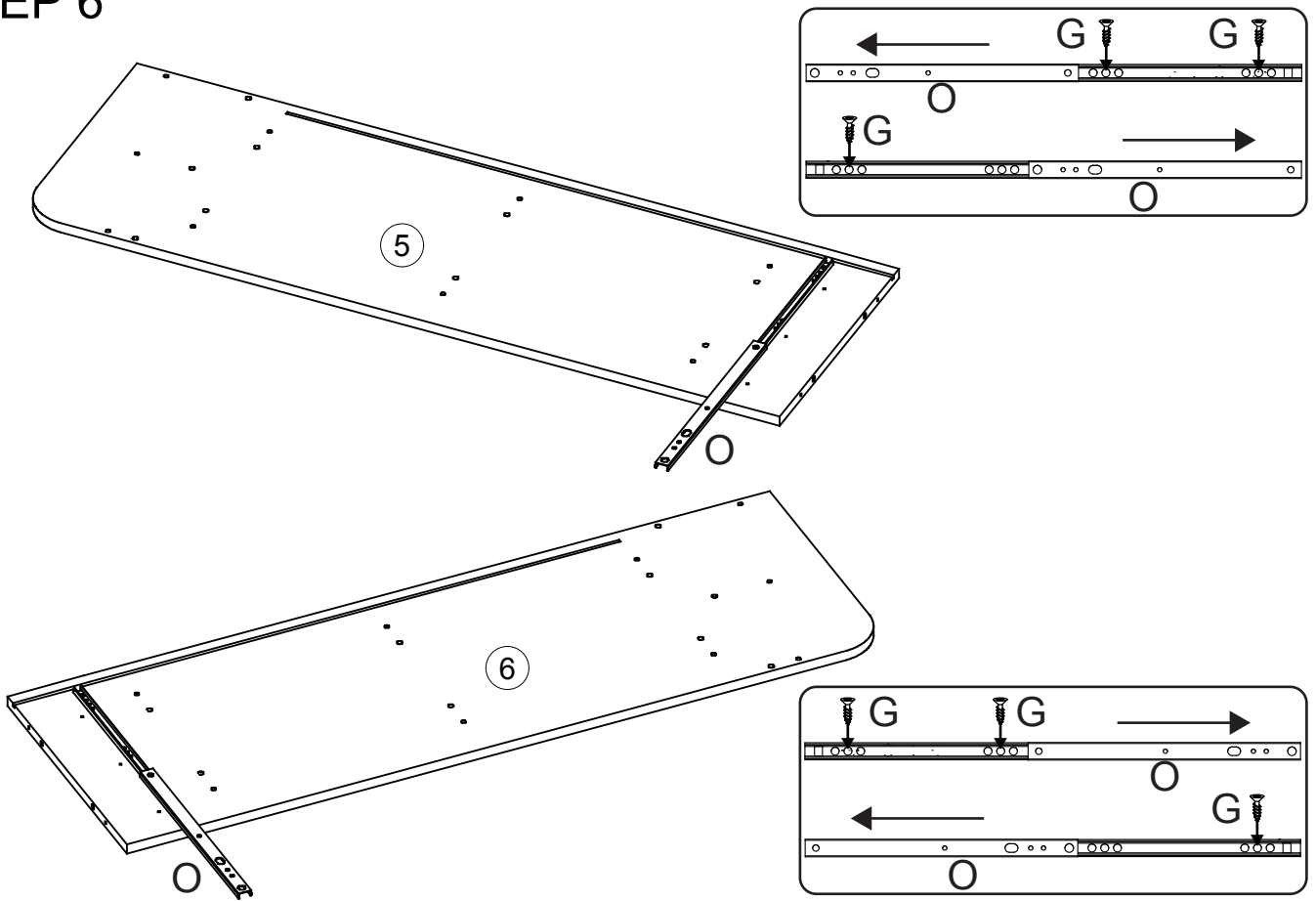
1. Screw 2 cam bolts (A) into cam bolt holes on lower shelf (9).

STEP 5



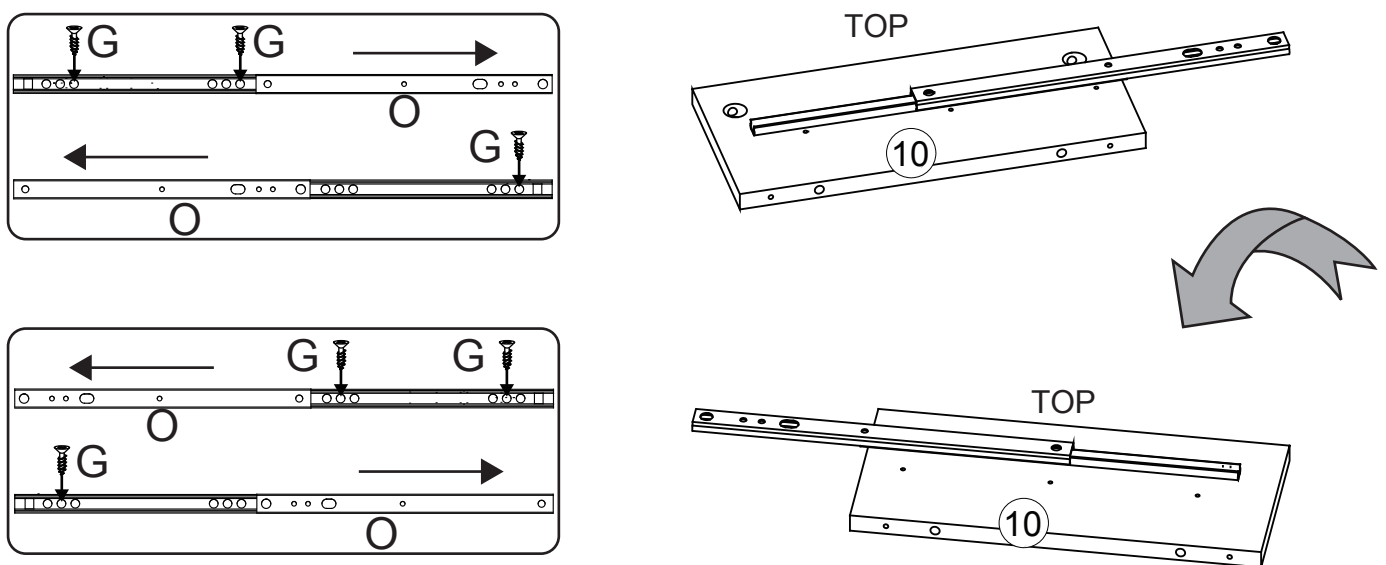
1. Insert 4 wood dowels (C) into wood dowel holes on middle support panel (8).
2. Attach lower shelf (9) to middle support panel (8) by inserting wood dowels (C) into wood dowel holes on lower shelf (9).
3. Insert 2 screws (E) through screw holes on lower shelf (9), then tighten to middle support panel (8).
4. Attach middle support panel (8) to top board (4) by inserting wood dowels (C) into wood dowel holes on top board (4) and inserting cam bolts (A) into cam bolt holes on middle support panel (8).
5. Insert 2 cam locks (B) into cam lock holes on middle support panel (8), then rotate clockwise to secure cam bolts (A) in place.

STEP 6



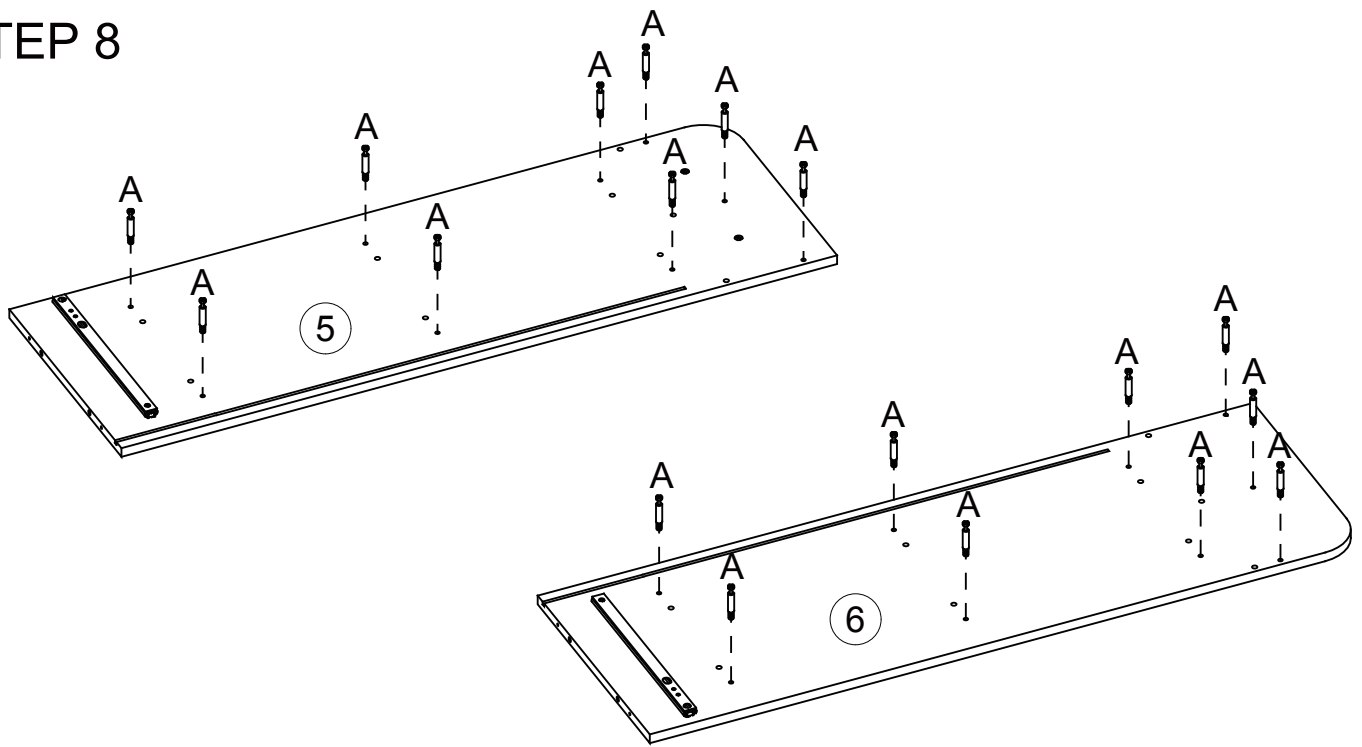
1. Attach drawer slide (O) to left side panel (5) by inserting 3 screws (G) through screw holes on drawer slide (O), then tighten to left side panel (5).
2. Attach drawer slide (O) to right side panel (6) by inserting 3 screws (G) through screw holes on drawer slide (O), then tighten to right side panel (6).

STEP 7



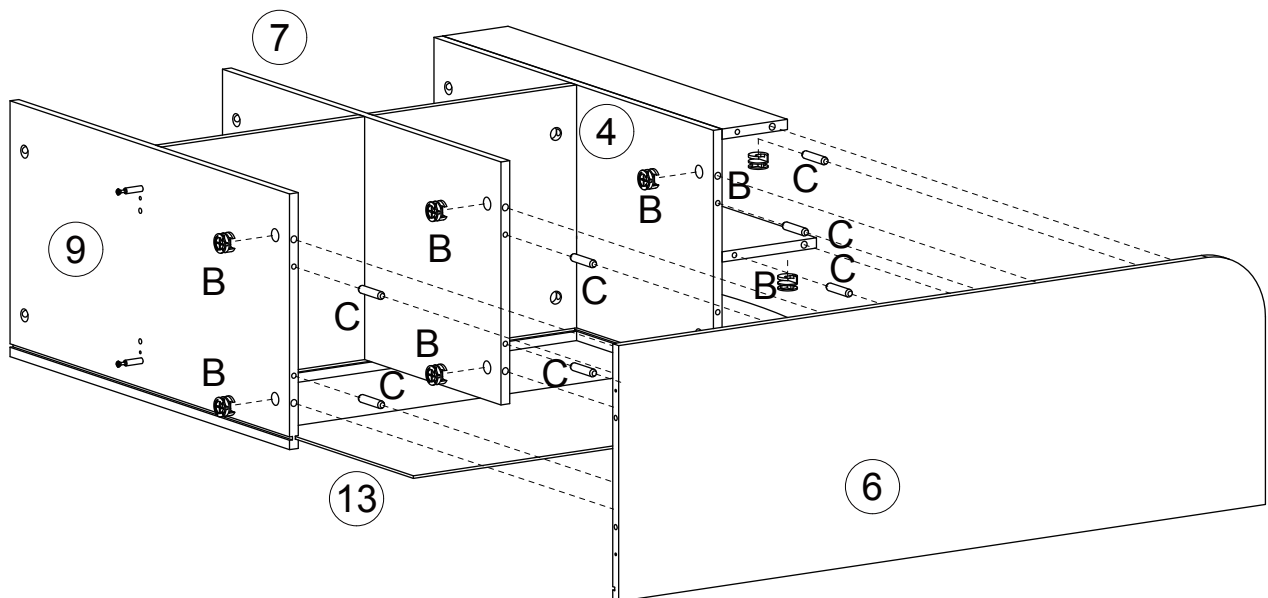
1. Attach drawer slides (O) to both sides of divider board (10) by inserting 6 screws (G) through screw holes on drawer slides (O), then tighten to both sides of divider board (10).

STEP 8



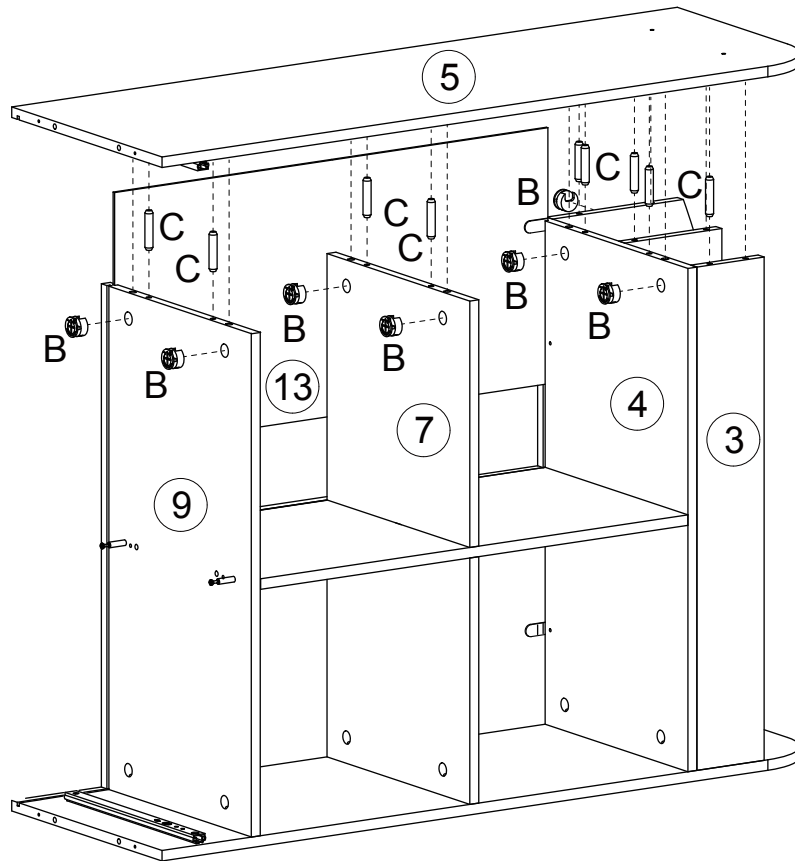
1. Screw 9 cam bolts (A) into cam bolt holes on left side panel (5).
2. Screw 9 cam bolts (A) into cam bolt holes on right side panel (6).

STEP 9



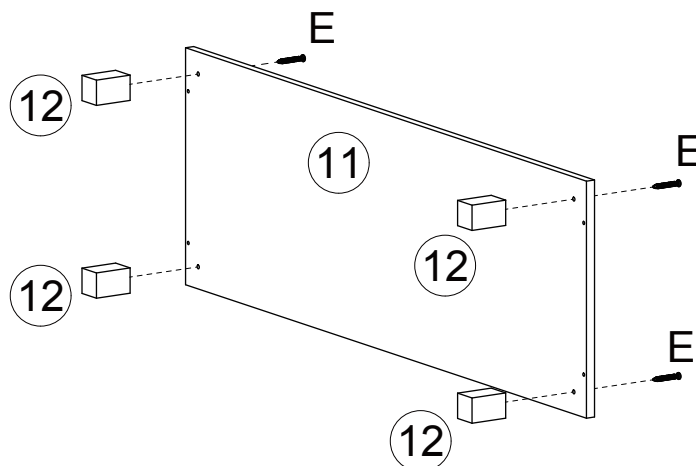
1. Insert 9 wood dowels (C) into wood dowel holes on right side panel (6).
2. Slide upper back board (13) into grooves on top board (4), lower shelf (9) and middle support panel (8).
3. Attach right side panel (6) to pre-assembled unit by inserting wood dowels (C) into wood dowel holes and inserting cam bolts (A) into cam bolt holes on lower shelf (9), middle shelf (7), top board (4), top front vertical board (3), top middle vertical board (2) and top rear vertical board (1).
4. Insert 9 cam locks (B) into cam lock holes on lower shelf (9), middle shelf (7), top board (4), top front vertical board (3), top middle vertical board (2) and top rear vertical board (1), then rotate clockwise to secure cam bolts (A) in place.

STEP 10



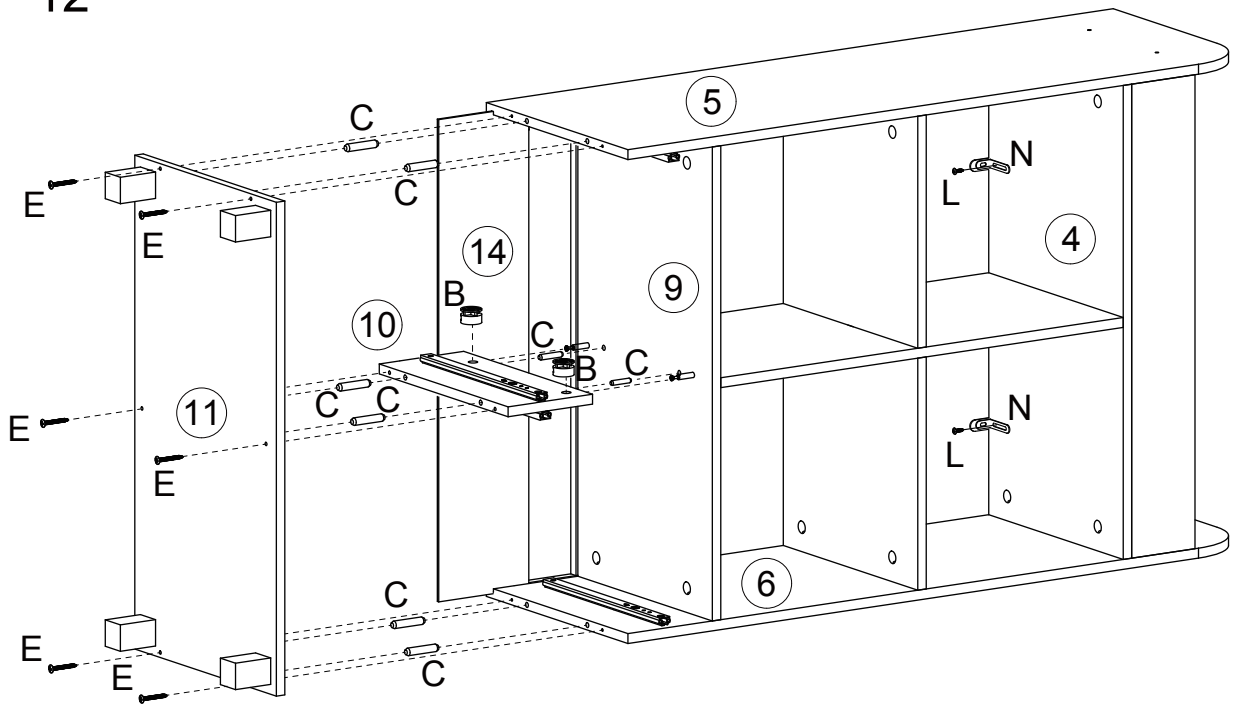
1. Insert 9 wood dowels (C) into wood dowel holes on left side panel (5).
2. Slide upper back board (13) into grooves on top board (4), lower shelf (9) and middle support panel (8).
3. Attach left side panel (5) to pre-assembled unit by inserting wood dowels (C) into wood dowel holes and inserting cam bolts (A) into cam bolt holes on lower shelf (9), middle shelf (7), top board (4), top front vertical board (3), top middle vertical board (2) and top rear vertical board (1).
4. Insert 9 cam locks (B) into cam lock holes on lower shelf (9), middle shelf (7), top board (4), top front vertical board (3), top middle vertical board (2) and top rear vertical board (1), then rotate clockwise to secure cam bolts (A) in place.

STEP 11



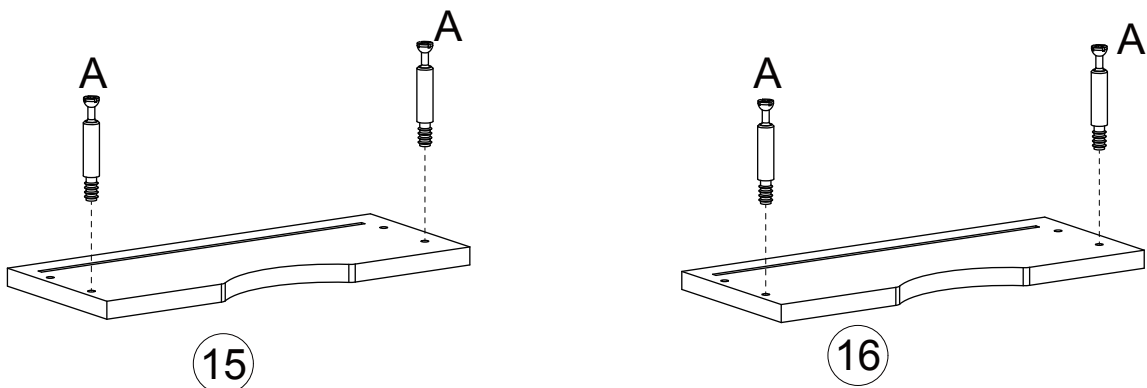
1. Attach 4 wood legs (12) to bottom board (11) by inserting 4 screws (E) through screw holes on bottom board (11), then tighten to wood legs (12).

STEP 12



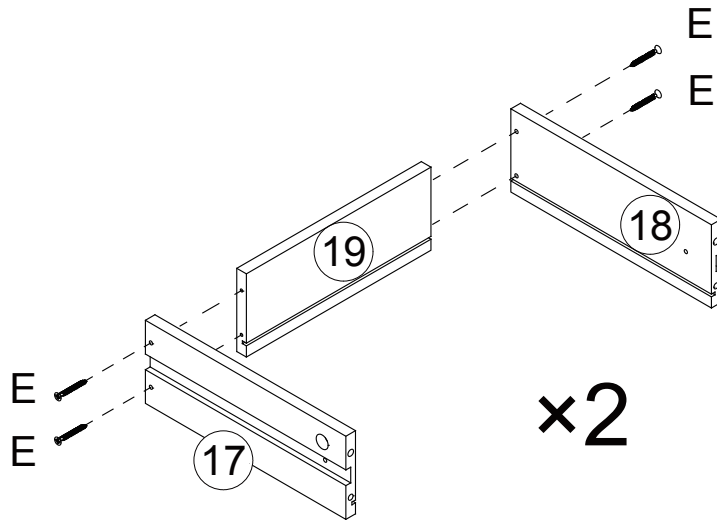
1. Insert 2 wood dowels (C) into wood dowel holes on lower shelf (9), then attach divider board (10) to lower shelf (9) by inserting wood dowels (C) into wood dowel holes and inserting cam bolts (A) into cam bolt holes on divider board (10).
2. Insert 2 cam locks (B) into cam lock holes on divider board (10), then rotate clockwise to secure cam bolts (A) in place.
3. Slide lower back board (14) into grooves on left side panel (5), right side panel (6) and lower shelf (9).
4. Insert 6 wood dowels (C) into wood dowel holes on bottom board (11).
5. Attach bottom board (11) to left side panel (5), right side panel (6), divider board (10) and lower back board (14), make sure lower back board (14) slides into groove on bottom board (11).
6. Insert 6 screws (E) through screw holes on bottom board (11), then tighten to left side panel (5), right side panel (6) and divider board (10).
7. Attach 2 adjustable anchor brackets (N) to top board (4) by inserting 2 screws (L) through holes on adjustable anchor brackets (N), then tighten to top board (4).

STEP 13



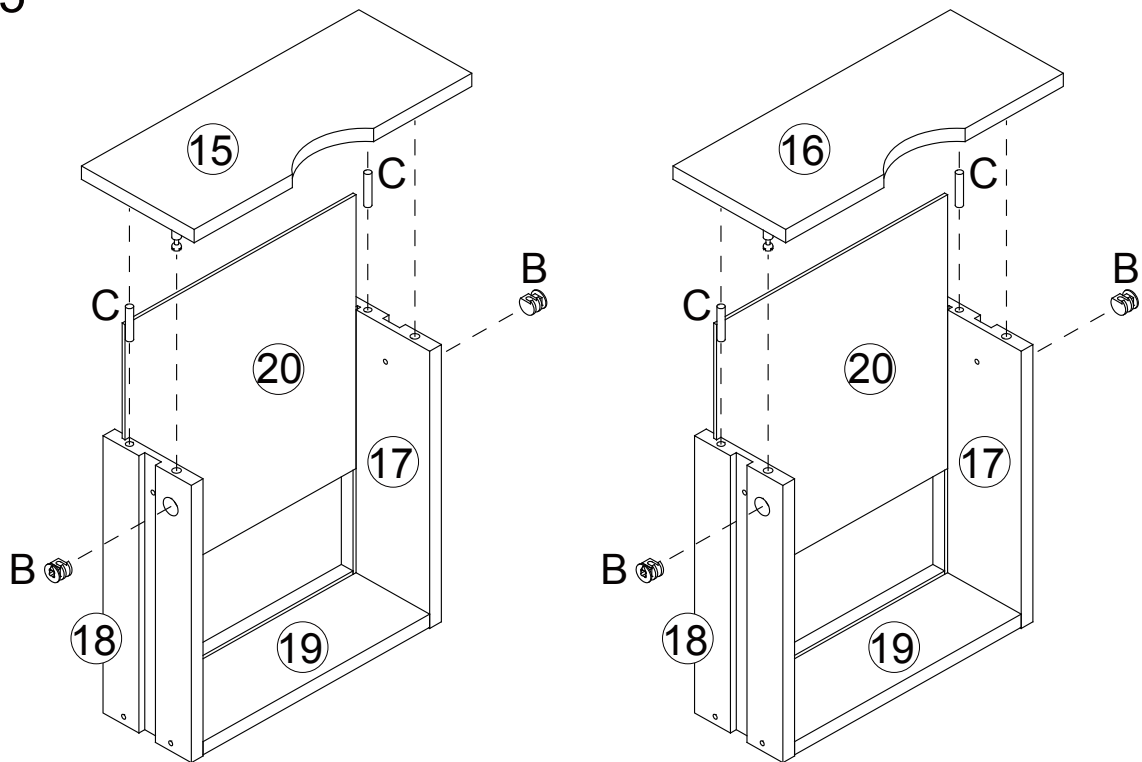
1. Screw 4 cam bolts (A) into cam bolt holes on drawer front boards (15,16).

STEP 14



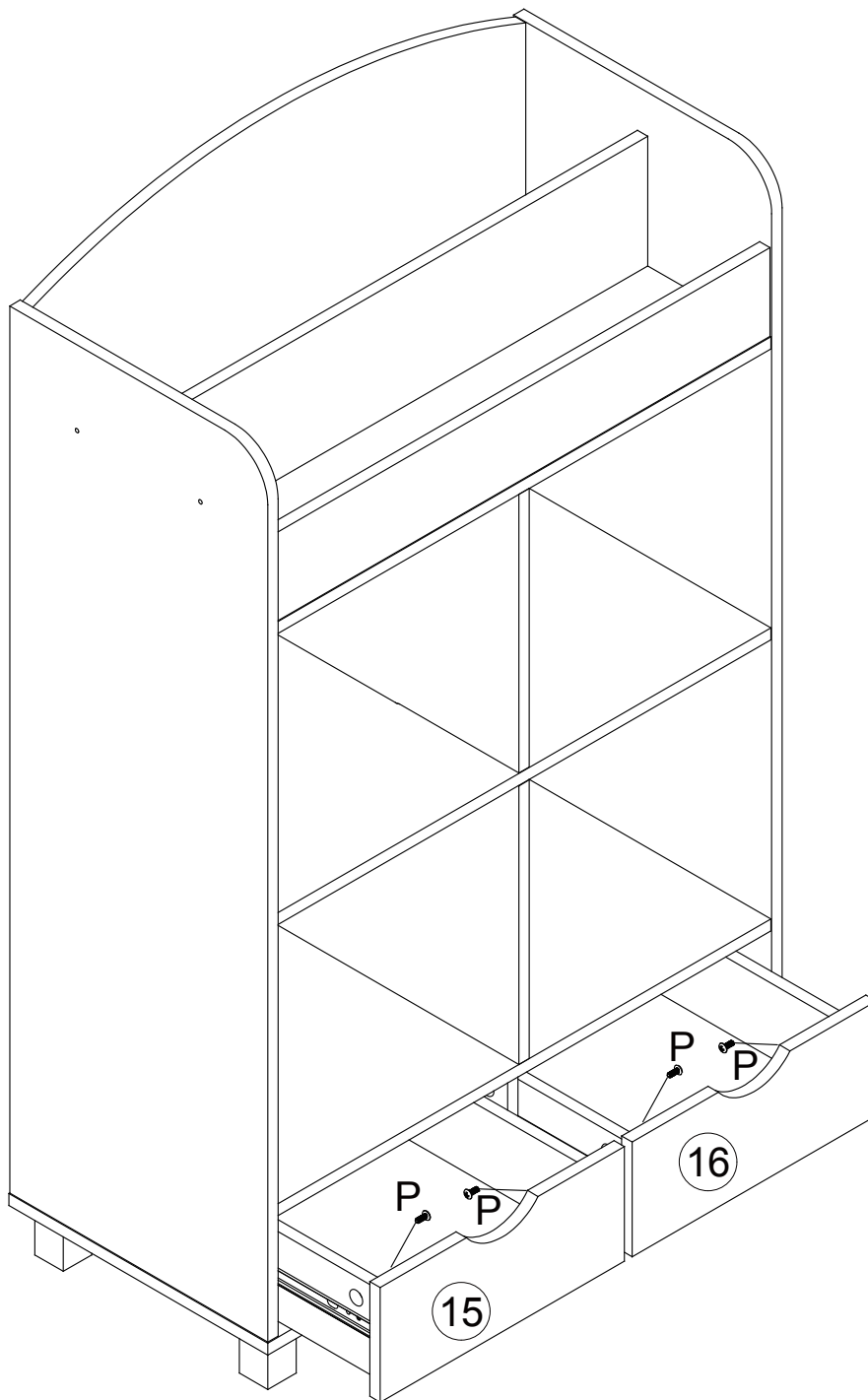
1. Attach drawer left side board (17) and drawer right side board (18) to drawer back board (19) by inserting 4 screws (E) through screw holes on drawer left side board (17) and drawer right side board (18), then tighten to drawer back board (19).
2. Repeat above step to assemble another drawer left side board (17) and drawer right side board (18) to drawer back board (19).

STEP 15



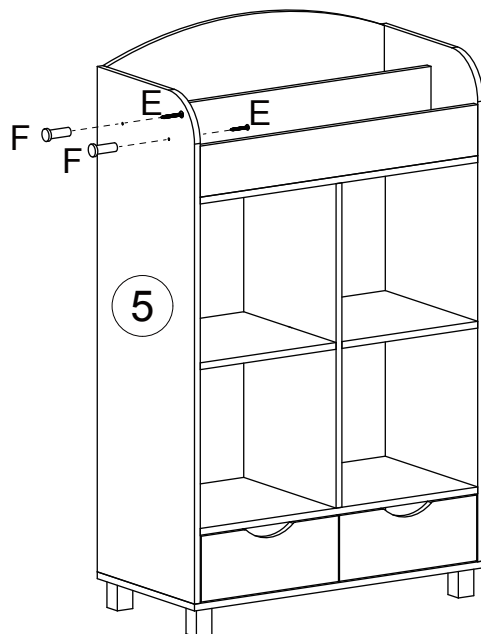
1. Slide 1 drawer bottom board (20) into grooves on drawer left side board (17), drawer right side board (18) and drawer back board (19).
2. Insert 2 wood dowels (C) into wood dowel holes on drawer front board (15).
3. Attach left drawer front board (15) to drawer left side board (17), drawer right side board (18) and drawer bottom board (20) by inserting wood dowels (C) into wood dowel holes and inserting cam bolts (A) into cam bolt holes on drawer left side board (17) and drawer right side board (18). Make sure drawer bottom board (20) slides into groove on left drawer front board (15).
4. Insert 2 cam locks (B) into cam lock holes on drawer left side board (17) and drawer right side board (18), then rotate clockwise to secure cam bolts (A) in place.
5. Repeat above steps to assemble right drawer front board (16).

STEP 16



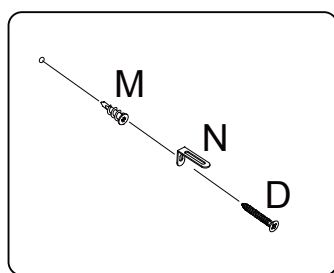
1. Slide 2 assembled drawers into cabinet by sliding drawer slides (O) into grooves on the drawer left side boards (17) and drawer right side boards (18). Pull drawers out and adjust drawer slides (O) to be fully extended against left drawer front board (15) and right drawer front board (16). Insert 4 machine screws (P) through holes on drawer left side boards (17) and drawer right side boards (18), then tighten to drawer slides (O).

STEP 17

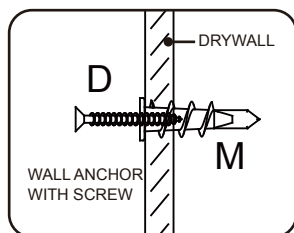


1. Attach 2 wood pegs (F) to left side panel (5) by inserting 2 screws (E) through screw holes on left side panel (5), then tighten to 2 wood pegs (F).

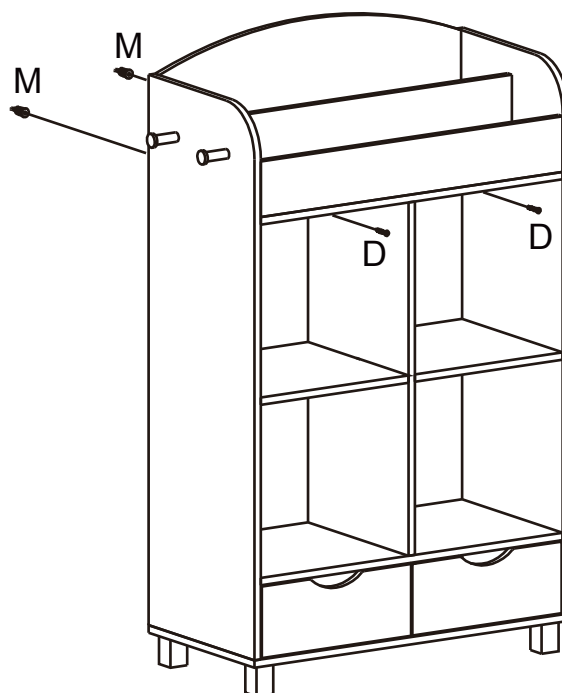
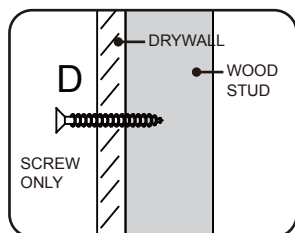
STEP 18



OPTION #1



OPTION #2



Option #1: Securing to Drywall

1. Position cabinet and adjustable anchor brackets (N) against wall in desired location. Using a pencil, make 2 small marks on wall through holes on adjustable anchor brackets (N). Move cabinet away from wall and screw 2 plastic anchors (M) into wall on pencil marks.
2. Place cabinet against wall, insert 2 screws (D) through holes on adjustable anchor brackets (N), then tighten to plastic anchors (M).

Option #2: Securing to Drywall and Wood Stud

1. Position cabinet and adjustable anchor brackets (N) against wall in desired location. Insert 2 screws (D) through holes on adjustable anchor brackets (N), then tighten through drywall and into wood stud.

*Tip: Adjustable anchor brackets (N) can be adjusted to correct distance from wall to cabinet as needed. Once adjusted, be sure to re-tighten brackets inside cabinet for stability.

ATTENTION ADULTS: Cabinet should be checked periodically for damage or loose screws/parts. Take appropriate action necessary to correct hazards such as tightening of screws and taking any damaged parts away from children.

WARNING  **Please make sure your item is secured to the wall, per assembly instructions.**

CARE INSTRUCTIONS:

Wipe clean with a water dampened cloth. Wipe dry with clean cloth.

IMPORTANT:

Keep assembly instructions for future reference.

LISTA DE PIEZAS

N.º	DESCRIPCIÓN	CANT.
1	Tablero vertical trasero superior	1
2	Tablero vertical central superior	1
3	Tablero vertical delantero superior	1
4	Tablero superior	1
5	Panel izquierdo	1
6	Panel derecho	1
7	Repisa central	1
8	Panel de soporte central	1
9	Repisa inferior	1
10	Tablero divisor	1
11	Tablero inferior	1
12	Pata de madera	4
13	Tablero trasero superior	2
14	Tablero trasero inferior	1
15	Tablero delantero del cajón izquierdo	1
16	Tablero delantero del cajón derecho	1
17	Tablero izquierdo del cajón	2
18	Tablero derecho del cajón	2
19	Tablero trasero del cajón	2
20	Tablero inferior del cajón	2
A	Perno de anclaje	26
B	Pestillo de leva	26
C	Pasador de madera	40
D	Tornillo (4x30mm)	2
E	Tornillo (4x35mm)	25
F	Colgador de madera	2
G	Tornillo (3x12mm)	12
L	Tornillo (4x10mm)	2
M	Anclaje plástico	2
N	Soporte de anclaje ajustable	2
O	Guía para cajón	4
P	Tornillo para metales (4x10mm)	4

HERRAMIENTAS NECESARIAS PARA EL ENSAMBLAJE: DESTORNILLADOR PLANO Y PHILLIPS (NO INCLUYEN). NO SE RECOMIENDA EL USO DE UN DESTORNILLADOR ELÉCTRICO PARA EL ENSAMBLAJE. NO UTILICE EL ARTÍCULO SI TIENE PIEZAS DAÑADAS O PIEZAS QUE FALTAN.

PASO 1

1. Coloque la repisa central (7) en el panel de soporte central (8).
-

PASO 2

1. Inserte 6 pasadores de madera (C) en los agujeros correspondientes de los tableros verticales (1, 2 y 3).
 2. Inserte pasadores de madera (C) en los agujeros correspondientes del tablero superior (4) para fijar los tableros verticales (1, 2 y 3) al tablero superior (4).
 3. Inserte 3 tornillos (E) a través de los agujeros del tablero superior (4) y, luego, ajústelos a los tableros verticales (1, 2 y 3).
-

PASO 3

1. Atornille 2 pernos de anclaje (A) en los agujeros correspondientes del tablero superior (4).
-

PASO 4

1. Atornille 2 pernos de anclaje (A) en los agujeros correspondientes de la repisa inferior (9).
-

PASO 5

1. Inserte 4 pasadores de madera (C) en los agujeros correspondientes del panel de soporte central (8).
 2. Inserte pasadores de madera (C) en los agujeros correspondientes de la repisa inferior (9) para fijarla al panel de soporte central (8).
 3. Inserte 2 tornillos (E) a través de los agujeros de la repisa inferior (9) y, luego, ajústelos al panel de soporte central (8).
 4. Para fijar el panel de soporte derecho (8) al tablero superior (4), inserte los pasadores de madera (C) en los agujeros correspondientes del tablero superior (4) y los pernos de anclaje (A) en el panel de soporte central (8).
 5. Inserte 2 pestillos de leva (B) en los agujeros correspondientes del panel de soporte central (8) y, luego, gírelos hacia la derecha para ajustar los pernos de anclaje (A).
-

PASO 6

1. Inserte 3 tornillos (G) a través de los agujeros de la guía del cajón (O) y, luego, ajústelos al panel izquierdo (5) para fijar la guía del cajón (O) al panel (5).
 2. Inserte 3 tornillos (G) a través de los agujeros de la guía del cajón (O) y, luego, ajústelos al panel derecho (6) para fijar la guía del cajón (O) al panel (6).
-

PASO 7

1. Inserte 6 tornillos (G) a través de los agujeros de la guía del cajón (O) y, luego, ajústelos a ambos lados del tablero divisor (10) para fijar la guía del cajón (O) al tablero divisor (10).
-

PASO 8

1. Atornille 9 pernos de anclaje (A) en los agujeros correspondientes del panel izquierdo (5).
 2. Atornille 9 pernos de anclaje (A) en los agujeros correspondientes del panel derecho (6).
-

PASO 9

1. Inserte 9 pasadores de madera (C) en los agujeros correspondientes del panel derecho (6).
 2. Deslice el tablero trasero superior (13) en las ranuras del tablero superior (4), de la repisa inferior (9) y del panel de soporte central (8).
 3. Para fijar el panel derecho (6) a la unidad preensamblada, inserte pasadores de madera (C) en los agujeros correspondientes e inserte pernos de anclaje (A) en los agujeros correspondientes de la repisa inferior (9), la repisa central (7), el tablero superior (4), el tablero vertical delantero superior (3), el tablero vertical central superior (2) y el tablero vertical trasero superior (1).
 4. Inserte 9 pestillos de leva (B) en los agujeros correspondientes de la repisa inferior (9), la repisa central (7), el tablero superior (4), el tablero vertical delantero superior (3), el tablero vertical central superior (2) y el tablero vertical trasero superior (1) y, luego, gírelos hacia la derecha para ajustar los pernos de anclaje (A).
-

PASO 10

1. Inserte 9 pasadores de madera (C) en los agujeros correspondientes del panel izquierdo (5).
 2. Deslice el tablero trasero superior (13) en las ranuras del tablero superior (4), de la repisa inferior (9) y del panel de soporte central (8).
 3. Para fijar el panel izquierdo (5) a la unidad preensamblada, inserte pasadores de madera (C) en los agujeros correspondientes e inserte pernos de anclaje (A) en los agujeros correspondientes de la repisa inferior (9), la repisa central (7), el tablero superior (4), el tablero vertical delantero superior (3), el tablero vertical central superior (2) y el tablero vertical trasero superior (1).
 4. Inserte 9 pestillos de leva (B) en los agujeros correspondientes de la repisa inferior (9), la repisa central (7), el tablero superior (4), el tablero vertical delantero superior (3), el tablero vertical central superior (2) y el tablero vertical trasero superior (1) y, luego, gírelos hacia la derecha para ajustar los pernos de anclaje (A).
-

PASO 11

1. Fije las 4 patas de madera (12) al tablero inferior (11). Para ello, inserte 4 tornillos (E) a través de los agujeros correspondientes en el tablero inferior (11) y ajústelos a las patas de madera (12).
-

PASO 12

1. Inserte 2 pasadores de madera (C) en los agujeros correspondientes de la repisa inferior (9) y, luego, fije el tablero divisor (10) a la repisa inferior (9) insertando pernos de anclaje (A) en los agujeros correspondientes del tablero divisor (10).
 2. Inserte 2 pestillos de leva (B) en los agujeros correspondientes del tablero divisor (10) y, luego, gírelos hacia la derecha para ajustar los pernos de anclaje (A).
 3. Deslice el tablero trasero inferior (14) en las ranuras del panel izquierdo (5), del panel derecho (6) y de la repisa inferior (9).
 4. Inserte 6 pasadores de madera (C) en los agujeros correspondientes del tablero inferior (11).
 5. Fije el tablero inferior (11) en el panel izquierdo (5), el panel derecho (6), el tablero divisor (10) y el tablero trasero inferior (14) y asegúrese de que el tablero trasero inferior (14) se deslice por la ranura del tablero inferior (11).
 6. Inserte 6 tornillos (E) a través de los agujeros del tablero inferior (11) y, luego, ajústelos al panel izquierdo (5), al panel derecho (6) y al tablero divisor (10).
 7. Para fijar los 2 soportes de anclaje ajustables (N) al tablero superior (4), inserte 2 tornillos (L) a través de los agujeros de los soportes de anclaje ajustables (N) y, luego, ajústelos al tablero superior (4).
-

PASO 13

1. Atornille 4 pernos de anclaje (A) en los agujeros correspondientes de los tableros delanteros de los cajones (15,16).
-

PASO 14

1. Inserte 4 tornillos (E) en los agujeros correspondientes del tablero izquierdo del cajón (17) y del tablero derecho del cajón (18) para ajustar ambos tableros (17, 18) al tablero trasero del cajón (19) y ajústelos al tablero.
 2. Repita los pasos anteriores para ensamblar los otros tableros del cajón (17, 18) al tablero trasero del cajón (19).
-

PASO 15

1. Deslice 1 tablero inferior del cajón (20) en las ranuras del tablero izquierdo (17), del tablero derecho (18) y del tablero trasero (19) del cajón.
 2. Inserte 2 pasadores de madera (C) en los agujeros correspondientes del tablero delantero del cajón izquierdo (15).
 3. Para fijar el tablero delantero del cajón (15) al tablero izquierdo (17), al tablero derecho (18) y al tablero inferior (20) del cajón, inserte pasadores de madera (C) en los agujeros correspondientes e inserte pernos de anclaje (A) en el tablero izquierdo y derecho del cajón (17, 18). Asegúrese de que el tablero inferior del cajón (20) se deslice en la ranura del tablero delantero del cajón (15).
 4. Inserte 2 pestillos de leva (B) en los agujeros correspondientes del tablero izquierdo (17) y el tablero derecho del cajón (18) y, luego, gírelos hacia la derecha para ajustar los pernos de anclaje (A).
 5. Repita los pasos anteriores para instalar el otro tablero delantero del cajón derecho (16).
-

PASO 16

1. Para colocar los 2 cajones ensamblados dentro del gabinete, deslice las guías (O) por las ranuras de los tableros izquierdos (17) y los tableros derechos del cajón (18). Quite los cajones y ajuste las guías (O) para que se extiendan por completo hacia el tablero delantero del cajón izquierdo (15) y el tablero delantero del cajón derecho (16). Inserte 4 tornillos para metales (P) a través de los agujeros del tablero izquierdo (17) y del tablero derecho del cajón (18) y, luego, ajústelos a las guías (O).
-

PASO 17

1. Para fijar los 2 colgadores de madera (F) al panel izquierdo (5), inserte 2 tornillos (E) a través de los agujeros del panel izquierdo (5) y, luego, ajústelos a los 2 colgadores de madera (F).
-

PASO 18

Opción n.º 1: Fijar a una pared de yeso

1. Coloque el gabinete y los soportes de anclaje ajustables (N) contra una pared en la ubicación deseada. Con un lápiz, realice 2 marcas pequeñas en la pared a través de los agujeros de los soportes de anclaje ajustables (N). Aleje el gabinete de la pared y atornille 2 anclajes de plástico (M) en la pared sobre las marcas que realizó con el lápiz.
2. Ubique el gabinete contra la pared, inserte 2 tornillos (D) a través de los agujeros de los soportes (N) y, luego, ajústelos a los anclajes plásticos (M).

Opción n.º 2: Fijar a una pared de yeso y a un montante de madera

1. Coloque el gabinete y los soportes de anclaje ajustables (N) contra una pared en la ubicación deseada. Inserte los 2 tornillos (D) a través de los agujeros de los soportes de anclaje ajustables (N) y, luego, fíjelos a la pared de yeso y al montante de madera.

*Sugerencia: Los soportes de anclaje ajustables (N) pueden regularse para modificar la distancia entre la pared y el gabinete según sea necesario. Una vez que esté en su lugar, asegúrese de volver a ajustar los soportes dentro del gabinete para que todo se mantenga estable.

Atención adultos: Deben revisar el gabinete periódicamente para ver si hay tornillos/piezas dañadas o sueltas. Tomen una acción adecuada y necesaria para corregir los peligros, tal como apretar los tornillos y alejar cualquier pieza dañada de los niños.

ADVERTENCIA  Asegúrese de que su artículo esté fijo a la pared, según las instrucciones de ensamblaje.

INSTRUCCIONES DE CUIDADO:

Limpiar con un paño humedecido en agua. Secar con un paño limpio.

IMPORTANTE:

Guarde las instrucciones de ensamblaje para futuras referencias.

LISTE DES PIÈCES

N°	DESCRIPTION	QTÉ
1	Plaque verticale arrière supérieure	1
2	Plaque verticale intermédiaire supérieure	1
3	Plaque verticale avant supérieure	1
4	Plaque supérieure	1
5	Panneau latéral gauche	1
6	Panneau latéral droit	1
7	Étagère du milieu	1
8	Panneau support intermédiaire	1
9	Étagère inférieure	1
10	Plaque de division	1
11	Plaque inférieure	1
12	Pied en bois	4
13	Plaque arrière supérieure	2
14	Plaque arrière inférieure	1
15	Plaque avant du tiroir gauche	1
16	Plaque avant du tiroir droit	1
17	Plaque latérale gauche du tiroir	2
18	Plaque latérale droite du tiroir	2
19	Plaque arrière du tiroir	2
20	Plaque inférieure du tiroir	2
A	Boulon à came	26
B	Verrou de came	26
C	Goujon en bois	40
D	Vis (4x30mm)	2
E	Vis (4x35mm)	25
F	Cheville en bois	2
G	Vis (3x12mm)	12
L	Vis (4x10mm)	2
M	Ancrage en plastique	2
N	Support d'ancrage réglable	2
O	Glissière de tiroir	4
P	Vis mécanique (4x10mm)	4

OUTILS NÉCESSAIRES POUR L'ASSEMBLAGE : TOURNEVIS À TÊTE PLATE ET À POINTE CRUCIFORME (NON FOURNIS). NOUS DÉCONSEILLONS D'UTILISER UN TOURNEVIS ÉLECTRIQUE POUR L'ASSEMBLAGE. N'UTILISEZ PAS CET ARTICLE SI UNE PIÈCE EST MANQUANTE OU ENDOMMAGÉE.

ÉTAPE 1

1. Faites glisser l'étagère intermédiaire (7) dans le panneau support intermédiaire (8).
-

ÉTAPE 2

1. Insérez 6 goujons en bois (C) dans les trous prévus à cet effet des plaques verticales (1, 2, 3).
 2. Fixez les plaques verticales (1, 2, 3) à la plaque supérieure (4) en insérant des goujons en bois (C) dans les trous prévus à cet effet de la plaque supérieure (4).
 3. Insérez 3 vis (E) à travers les trous de la plaque supérieure (4), puis serrez-les dans les plaques verticales (1, 2, 3).
-

ÉTAPE 3

1. Vissez 2 boulons à came (A) dans les trous prévus à cet effet de la plaque supérieure (4).
-

ÉTAPE 4

1. Vissez 2 boulons à came (A) dans les trous prévus à cet effet de l'étagère inférieure (9).
-

ÉTAPE 5

1. Insérez 4 goujons en bois (C) dans les trous prévus à cet effet du panneau support intermédiaire (8).
 2. Fixez l'étagère inférieure (9) au panneau support intermédiaire (8) en insérant des goujons en bois (C) dans les trous prévus à cet effet de l'étagère inférieure (9).
 3. Insérez 2 vis (E) dans les trous prévus à cet effet de l'étagère inférieure (9), puis serrez-les sur le panneau support intermédiaire (8).
 4. Fixez le panneau support intermédiaire (8) à la plaque supérieure (4) en insérant des goujons en bois (C) dans les trous prévus à cet effet de la plaque supérieure (4) et en insérant des boulons à came (A) dans les trous prévus à cet effet du panneau support intermédiaire (8).
 5. Insérez 2 verrouillages à came (B) dans les trous prévus à cet effet du panneau support intermédiaire (8), puis tournez dans le sens des aiguilles d'une montre pour maintenir les boulons à came (A) en place.
-

ÉTAPE 6

1. Fixez la glissière de tiroir (O) au panneau latéral gauche (5) en insérant 3 vis (G) dans les trous prévus à cet effet de la glissière de tiroir (O), puis en les vissant dans le panneau latéral gauche (5).
 2. Fixez la glissière de tiroir (O) au panneau latéral droit (6) en insérant 3 vis (G) dans les trous prévus à cet effet de la glissière de tiroir (O), puis en les vissant dans le panneau latéral droit (6).
-

ÉTAPE 7

1. Fixez les glissières de tiroir (O) des deux côtés de la plaque de division (10) en insérant 6 vis (G) dans les trous prévus à cet effet des glissières de tiroir (O), puis serrez-les des deux côtés de la plaque de division (10).
-

ÉTAPE 8

1. Vissez 9 boulons à came (A) dans les trous prévus à cet effet du panneau latéral gauche (5).
 2. Vissez 9 boulons à came (A) dans les trous prévus à cet effet du panneau latéral droit (6).
-

ÉTAPE 9

1. Insérez 9 goujons en bois (C) dans les trous prévus à cet effet du panneau latéral droit (6).
 2. Faites glisser la plaque arrière supérieure (13) dans les rainures de la plaque supérieure (4), de l'étagère inférieure (9) et du panneau support intermédiaire (8).
 3. Fixez le panneau latéral droit (6) à l'unité préalablement assemblée en insérant des goujons en bois (C) dans les trous prévus à cet effet et en insérant des boulons à came (A) dans les trous prévus à cet effet de l'étagère inférieure (9), de l'étagère intermédiaire (7), de la plaque supérieure (4), de la plaque avant verticale supérieur (3), de la plaque verticale intermédiaire supérieure (2) et de la plaque verticale arrière supérieure (1).
 4. Insérez 9 verrouillages à came (B) dans les trous prévus à cet effet de l'étagère inférieure (9), de l'étagère intermédiaire (7), de la plaque supérieure (4), de la plaque avant verticale supérieur (3), de la plaque verticale intermédiaire supérieure (2) et de la plaque verticale arrière supérieure (1), puis tournez dans le sens des aiguilles d'une montre pour maintenir les boulons à came (A) en place.
-

ÉTAPE 10

1. Insérez 9 goujons en bois (C) dans les trous prévus à cet effet du panneau latéral gauche (5).
 2. Faites glisser la plaque arrière supérieure (13) dans les rainures de la plaque supérieure (4), de l'étagère inférieure (9) et du panneau support intermédiaire (8).
 3. Fixez le panneau latéral gauche (5) à l'unité préalablement assemblée en insérant des goujons en bois (C) dans les trous prévus à cet effet et en insérant des boulons à came (A) dans les trous prévus à cet effet de l'étagère inférieure (9), de l'étagère intermédiaire (7), de la plaque supérieure (4), de la plaque avant verticale supérieur (3), de la plaque verticale intermédiaire supérieure (2) et de la plaque verticale arrière supérieure (1).
 4. Insérez 9 verrouillages à came (B) dans les trous prévus à cet effet de l'étagère inférieure (9), de l'étagère intermédiaire (7), de la plaque supérieure (4), de la plaque avant verticale supérieur (3), de la plaque verticale intermédiaire supérieure (2) et de la plaque verticale arrière supérieure (1), puis tournez dans le sens des aiguilles d'une montre pour maintenir les boulons à came (A) en place.
-

ÉTAPE 11

1. Fixez 4 pieds en bois (12) à la plaque inférieure (11) en insérant 4 vis (E) dans les trous prévus à cet effet de la plaque inférieure (11), puis en les serrant sur les pieds en bois (12).
-

ÉTAPE 12

1. Insérez 2 goujons en bois (C) dans les trous prévus à cet effet de l'étagère inférieure (9), puis fixez la plaque de division (10) à l'étagère inférieure (9) en insérant des goujons en bois (C) dans les trous prévus à cet effet et en insérant des boulons à came (A) dans les trous prévus à cet effet de la plaque de division (10).
2. Insérez 2 verrouillages à came (B) dans les trous prévus à cet effet de la plaque division (10), puis tournez dans le sens des aiguilles d'une montre pour maintenir les boulons à came (A) en place.
3. Faites glisser la plaque arrière inférieure (14) dans les rainures du panneau latéral gauche (5), du panneau latéral droit (6) et de l'étagère inférieure (9).
4. Insérez 6 goujons en bois (C) dans les trous prévus à cet effet de la plaque inférieure (11).
5. Fixez la plaque inférieure (11) au panneau latéral gauche (5), au panneau latéral droit (6), à la plaque de division (10) et à la plaque arrière inférieure (14), en vous assurant que la plaque arrière inférieure (14) glisse dans la rainure de la plaque inférieure (11).
6. Insérez 6 vis (E) dans les trous prévus à cet effet de la plaque inférieure (11), puis vissez-les sur le panneau latéral gauche (5), le panneau latéral droit (6) et la plaque de division (10).

7. Fixez 2 supports d'ancrage réglables (N) sur la plaque supérieure (4) en insérant 2 vis (L) dans les trous des supports d'ancrage réglables (N), puis vissez-les dans la plaque supérieure (4).
-

ÉTAPE 13

1. Vissez 4 boulons à came (A) dans les trous prévus à cet effet des plaques avant de tiroir (15, 16) prévus à cet effet.
-

ÉTAPE 14

1. Fixez la plaque gauche de tiroir (17) et la plaque droite de tiroir (18) à la plaque arrière de tiroir (19) en insérant 4 vis (E) dans les trous prévus à cet effet de la plaque gauche de tiroir (17) et de la plaque droite de tiroir (18), puis vissez à la plaque arrière de tiroir (19).
 2. Répétez l'étape ci-dessus pour assembler une autre plaque gauche de tiroir (17) et une autre plaque droite de tiroir (18) à une autre plaque arrière de tiroir (19).
-

ÉTAPE 15

1. Faites glisser 1 plaque inférieure de tiroir (20) dans les rainures de la plaque gauche de tiroir (17), de la plaque droite de tiroir (18) et de la plaque arrière de tiroir (19).
 2. Insérez 2 goujons en bois (C) dans les trous prévus à cet effet de la plaque avant de tiroir (15).
 3. Fixez la plaque avant de tiroir (15) à la plaque gauche de tiroir (17), à la plaque droite de tiroir (18) et à la plaque inférieure de tiroir (20) en insérant des goujons en bois (C) dans les trous prévus à cet effet et en insérant des boulons à came (A) dans les trous prévus à cet effet de la plaque gauche de tiroir (17) et de la plaque droite de tiroir (18). Assurez-vous que la plaque inférieure de tiroir (20) glisse dans la rainure de la plaque avant de tiroir (15).
 4. Insérez 2 verrouillages à came (B) dans les trous prévus à cet effet du panneau latéral gauche de tiroir (17) et du panneau latéral droit de tiroir (18), puis tournez dans le sens des aiguilles d'une montre pour maintenir les boulons à came (A) en place.
 5. Répétez les étapes ci-dessus pour assembler une autre plaque avant de tiroir (16).
-

ÉTAPE 16

1. Faites glisser 2 tiroirs préalablement assemblés dans l'armoire en faisant glisser les glissières de tiroir (O) dans les rainures des plaques latérales gauche de tiroir (17) et des plaques latérales droites de tiroir (18). Sortez les tiroirs et ajustez les glissières de tiroir (O) afin qu'elles soient complètement sorties contre la plaque avant de tiroir gauche (15) et la plaque avant de tiroir droite (16). Insérez 4 vis mécaniques (P) dans les trous des plaques latérales gauche de tiroir (17) et des plaques latérales droites de tiroir (18), puis vissez-les sur les glissières de tiroir (O).
-

ÉTAPE 17

1. Fixez 2 chevilles en bois (F) au panneau latéral gauche (5) en insérant 2 vis (E) dans les trous de vis du panneau latéral gauche (5), puis en les serrant dans les 2 chevilles en bois (F).
-

ÉTAPE 18

Option 1 : Fixation sur des cloisons sèches


1. Placez l'armoire et les supports d'ancrage réglables (N) contre le mur à l'endroit souhaité. À l'aide d'un crayon, faites 2 petites marques sur le mur à travers les trous des supports d'ancrage réglables (N). Éloignez l'armoire du mur et vissez 2 ancrages en plastique (M) dans le mur sur les marques de crayon.
2. Placez l'armoire contre le mur, insérez 2 vis (D) dans les trous des supports (N), puis vissez-les dans les ancrages en plastique (M).

Option 2 : Fixation sur des cloisons sèches et des montants en bois

1. Placez l'armoire et les supports d'ancrage réglables (N) contre le mur à l'endroit souhaité. Insérez 2 vis (D) dans les trous des supports d'ancrage réglables (N), puis vissez-les à travers la cloison sèche et dans le montant en bois.

*Conseil : Les supports d'ancrage réglables (N) peuvent être ajustés pour corriger la distance entre le mur et l'armoire selon les besoins. Une fois ajustés, veillez à resserrer les supports dans l'armoire pour plus de stabilité.

NÉCESSITE L'ATTENTION DES ADULTES : Vérifiez régulièrement si l'armoire est endommagée, si des vis sont desserrées ou si des pièces sont détachées. Pour éliminer les dangers, prenez les mesures nécessaires, comme serrer les vis et éloigner les pièces endommagées des enfants.

AVERTISSEMENT  Vérifiez que votre article est bien fixé sur le mur, conformément aux instructions d'assemblage.

INSTRUCTIONS D'ENTRETIEN :

Nettoyez avec un chiffon humide. Séchez avec un chiffon propre.

IMPORTANT :

Conservez les instructions d'assemblage pour toute référence ultérieure

TEILELISTE

Nr.	BESCHREIBUNG	ANZ.
1	Oberstes hinteres vertikales Brett	1
2	Oberstes mittleres vertikales Brett	1
3	Oberstes vorderes vertikales Brett	1
4	Oberstes Brett	1
5	Linkes Seitenteil	1
6	Rechtes Seitenteil	1
7	Mittlerer Regalboden	1
8	Mittlere Stützwand	1
9	Unterer Regalboden	1
10	Unterteilungsbrett	1
11	Unterstes Brett	1
12	Holzbein	4
13	Obere Rückwand	2
14	Untere Rückwand	1
15	Schublade, linkes vorderes Brett	1
16	Schublade, rechtes vorderes Brett	1
17	Schublade, linkes Brett	2
18	Schublade, rechtes Brett	2
19	Schublade, hinteres Brett	2
20	Schublade, unterstes Brett	2
A	Korpusverbinder-Bolzen	26
B	Korpusverbinder-Exzentergehäuse	26
C	Holzdübel	40
D	Schraube (4x30mm)	2
E	Schraube (4x35mm)	25
F	Holzstift	2
G	Schraube (3x12mm)	12
L	Schraube (4x10mm)	2
M	Kunststoffdübel	2
N	Einstellbarer Ankerbügel	2
O	Schubladenführung	4
P	Maschinenschraube (4x10mm)	4

FÜR DIE MONTAGE BENÖTIGTE WERKZEUGE: FLACH- UND KREUZSCHLITZSCHRAUBENDREHER (NICHT ENTHALTEN). DIE VERWENDUNG EINES ELEKTRISCHEN SCHRAUBENDREHERS WIRD FÜR DIE MONTAGE NICHT EMPFOHLEN. VERWENDEN SIE DEN ARTIKEL NICHT, WENN TEILE FEHLEN ODER BESCHÄDIGT SIND.

SCHRITT 1

1. Schieben Sie den mittleren Regalboden (7) auf die mittlere Stützwand (8).
-

SCHRITT 2

1. Setzen Sie 6 Holzdübel (C) in die Holzdübelbohrungen der vertikalen Bretter (1, 2, 3) ein.
 2. Befestigen Sie die vertikalen Bretter (1, 2, 3) am obersten Brett (4), indem Sie die Holzdübel (C) in die Holzdübelbohrungen des obersten Bretts (4) einsetzen.
 3. Stecken Sie 3 Schrauben (E) durch die Schraubenlöcher des obersten Bretts (4) und ziehen Sie sie an den vertikalen Brettern (1, 2, 3) fest.
-

SCHRITT 3

1. Schrauben Sie 2 Korpusverbinder-Bolzen (A) in die Korpusverbinder-Bolzenbohrungen des obersten Bretts (4).
-

SCHRITT 4

1. Schrauben Sie 2 Korpusverbinder-Bolzen (A) in die Korpusverbinder-Bolzenbohrungen des unteren Regalbodens (9).
-

SCHRITT 5

1. Setzen Sie 4 Holzdübel (C) in die Holzdübelbohrungen der mittleren Stützwand (8) ein.
 2. Befestigen Sie den unteren Regalboden (9) an der mittleren Stützwand (8), indem Sie die Holzdübel (C) in die Holzdübelbohrungen des unteren Regalbodens (9) einsetzen.
 3. Stecken Sie 2 Schrauben (E) durch die Schraubenlöcher des unteren Regalbodens (9) und ziehen Sie sie an der mittleren Stützwand (8) fest.
 4. Befestigen Sie die mittlere Stützwand (8) am obersten Brett (4), indem Sie die Holzdübel (C) in die Holzdübelbohrungen des obersten Bretts (4) und die Korpusverbinder-Bolzen (A) in die Korpusverbinder-Bolzenbohrungen der mittleren Stützwand (8) einsetzen.
 5. Setzen Sie 2 Korpusverbinder-Exzentergehäuse (B) in die Korpusverbinder-Exzentergehäusebohrungen der mittleren Stützwand (8) ein und drehen Sie sie dann im Uhrzeigersinn, um die Korpusverbinder-Bolzen (A) zu fixieren.
-

SCHRITT 6

1. Befestigen Sie die Schubladenführung (O) am linken Seitenteil (5), indem Sie 3 Schrauben (G) durch die Schraubenlöcher der Schubladenführung (O) stecken und am linken Seitenteil (5) festziehen.
 2. Befestigen Sie die Schubladenführung (O) am rechten Seitenteil (6), indem Sie 3 Schrauben (G) durch die Schraubenlöcher der Schubladenführung (O) stecken und am rechten Seitenteil (6) festziehen.
-

SCHRITT 7

1. Befestigen Sie die Schubladenführungen (O) an beiden Seiten des Unterteilungsbretts (10), indem Sie 6 Schrauben (G) durch die Schraubenlöcher der Schubladenführungen (O) stecken und an beiden Seiten des Unterteilungsbretts (10) festziehen.
-

SCHRITT 8

1. Schrauben Sie 9 Korpusverbinder-Bolzen (A) in die Korpusverbinder-Bolzenbohrungen des linken Seitenteils (5).
 2. Schrauben Sie 9 Korpusverbinder-Bolzen (A) in die Korpusverbinder-Bolzenbohrungen des rechten Seitenteils (6).
-

SCHRITT 9

1. Setzen Sie 9 Holzdübel (C) in die Holzdübelbohrungen des rechten Seitenteils (6) ein.
 2. Schieben Sie die obere Rückwand (13) in die Nuten des obersten Bretts (4), des unteren Regalbodens (9) und der mittleren Stützwand (8).
 3. Befestigen Sie das rechte Seitenteil (6) an der fertig zusammengebauten Einheit, indem Sie die Holzdübel (C) in die Holzdübelbohrungen und die Korpusverbinder-Bolzen (A) in die Korpusverbinder-Bolzenbohrungen des unteren Regalbodens (9), des mittleren Regalbodens (7), des obersten Bretts (4), des obersten vorderen vertikalen Bretts (3), des obersten mittleren vertikalen Bretts (2) und des obersten hinteren vertikalen Bretts (1) einsetzen.
 4. Setzen Sie 9 Korpusverbinder-Exzentergehäuse (B) in die Korpusverbinder-Exzentergehäusebohrungen des unteren Regalbodens (9), des mittleren Regalbodens (7), des obersten Bretts (4), des obersten vorderen vertikalen Bretts (3), des obersten mittleren vertikalen Bretts (2) und des obersten hinteren vertikalen Bretts (1) ein und drehen Sie sie dann im Uhrzeigersinn, um die Korpusverbinder-Bolzen (A) zu fixieren.
-

SCHRITT 10

1. Setzen Sie 9 Holzdübel (C) in die Holzdübelbohrungen des linken Seitenteils (5) ein.
 2. Schieben Sie die obere Rückwand (13) in die Nuten des obersten Bretts (4), des unteren Regalbodens (9) und der mittleren Stützwand (8).
 3. Befestigen Sie das linke Seitenteil (5) an der fertig zusammengebauten Einheit, indem Sie die Holzdübel (C) in die Holzdübelbohrungen und die Korpusverbinder-Bolzen (A) in die Korpusverbinder-Bolzenbohrungen des unteren Regalbodens (9), des mittleren Regalbodens (7), des obersten Bretts (4), des obersten vorderen vertikalen Bretts (3), des obersten mittleren vertikalen Bretts (2) und des obersten hinteren vertikalen Bretts (1) einsetzen.
 4. Setzen Sie 9 Korpusverbinder-Exzentergehäuse (B) in die Korpusverbinder-Exzentergehäusebohrungen des unteren Regalbodens (9), des mittleren Regalbodens (7), des obersten Bretts (4), des obersten vorderen vertikalen Bretts (3), des obersten mittleren vertikalen Bretts (2) und des obersten hinteren vertikalen Bretts (1) ein und drehen Sie sie dann im Uhrzeigersinn, um die Korpusverbinder-Bolzen (A) zu fixieren.
-

SCHRITT 11

1. Befestigen Sie die 4 Holzbeine (12) am untersten Brett (11), indem Sie 4 Schrauben (E) durch die Schraubenlöcher des untersten Bretts (11) stecken und an den Holzbeinen (12) festziehen.
-

SCHRITT 12

1. Stecken Sie 2 Holzdübel (C) in die Holzdübelbohrungen des unteren Regalbodens (9) und befestigen Sie anschließend das Unterteilungsbrett (10) am unteren Regalboden (9), indem Sie die Holzdübel (C) in die Holzdübelbohrungen und die Korpusverbinder-Bolzen (A) in die Korpusverbinder-Bolzenbohrungen des Unterteilungsbretts (10) einsetzen.
2. Setzen Sie 2 Korpusverbinder-Exzentergehäuse (B) in die Korpusverbinder-Exzentergehäusebohrungen des Unterteilungsbretts (10) ein und drehen Sie sie dann im Uhrzeigersinn, um die Korpusverbinder-Bolzen (A) zu fixieren.
3. Schieben Sie die untere Rückwand (14) in die Nuten des linken Seitenteils (5), des rechten Seitenteils (6) und des unteren Regalbodens (9).
4. Setzen Sie 6 Holzdübel (C) in die Holzdübelbohrungen des untersten Bretts (11) ein.
5. Bringen Sie das unterste Brett (11) am linken Seitenteil (5), am rechten Seitenteil (6), am Unterteilungsbrett (10) und an der unteren Rückwand (14) an und stellen Sie sicher, dass die untere Rückwand (14) in die Nut des untersten Bretts (11) gleitet.

6. Stecken Sie 6 Schrauben (E) durch die Schraubenlöcher des untersten Bretts (11) und ziehen Sie sie am linken Seitenteil (5), am rechten Seitenteil (6) und am Unterteilungsbrett (10) fest.
 7. Befestigen Sie 2 einstellbare Ankerbügel (N) am obersten Brett (4), indem Sie 2 Schrauben (L) durch die Löcher der einstellbaren Ankerbügel (N) stecken und am obersten Brett (4) festziehen.
-

SCHRITT 13

1. Schrauben Sie 4 Korpusverbinder-Bolzen (A) in die Korpusverbinder-Bolzenbohrungen der vorderen Schubladenbretter (15, 16).
-

SCHRITT 14

1. Befestigen Sie das linke Schubladenbrett (17) und das rechte Schubladenbrett (18) am hinteren Schubladenbrett (19), indem Sie 4 Schrauben (E) durch die Schraubenlöcher des linken Schubladenbretts (17) und des rechten Schubladenbretts (18) stecken und am hinteren Schubladenbrett (19) festziehen.
 2. Wiederholen Sie den obigen Schritt, um das andere linke Schubladenbrett (17) und das andere rechte Schubladenbrett (18) am zweiten hinteren Schubladenbrett (19) zu montieren.
-

SCHRITT 15

1. Schieben Sie 1 unterstes Schubladenbrett (20) in die Nuten des linken Schubladenbretts (17), des rechten Schubladenbretts (18) und des hinteren Schubladenbretts (19).
 2. Setzen Sie 2 Holzdübel (C) in die Holzdübelbohrungen des vorderen Schubladenbretts (15) ein.
 3. Befestigen Sie das vordere Schubladenbrett (15) am linken Schubladenbrett (17), am rechten Schubladenbrett (18) und am untersten Schubladenbrett (20), indem Sie die Holzdübel (C) in die Holzdübelbohrungen und die Korpusverbinder-Bolzen (A) in die Korpusverbinder-Bolzenbohrungen des linken Schubladenbretts (17) und rechten Schubladenbretts (18) einsetzen. Achten Sie darauf, dass das unterste Schubladenbrett (20) in die Nut des vorderen Schubladenbretts (15) gleitet.
 4. Setzen Sie 2 Korpusverbinder-Exzentergehäuse (B) in die Korpusverbinder-Exzentergehäusebohrungen des linken Schubladenbretts (17) und des rechten Schubladenbretts (18) ein und drehen Sie sie dann im Uhrzeigersinn, um die Korpusverbinder-Bolzen (A) zu fixieren.
 5. Wiederholen Sie die obigen Schritte, um das andere vordere Schubladenbrett (16) zu montieren.
-

SCHRITT 16

1. Schieben Sie die 2 zusammengebauten Schubladen in den Schrank, indem Sie die Schubladenführungen (O) in die Nuten der linken Schubladenbretter (17) und rechten Schubladenbretter (18) schieben. Ziehen Sie die Schubladen heraus und stellen Sie die Schubladenführungen (O) so ein, dass sie vollständig zum linken vorderen Schubladenbrett (15) und rechten vorderen Schubladenbrett (16) hin ausgefahren sind. Stecken Sie 4 Maschinenschrauben (P) durch die Bohrungen der linken Schubladenbretter (17) und rechten Schubladenbretter (18) und ziehen Sie sie an den Schubladenführungen (O) fest.
-

SCHRITT 17

1. Befestigen Sie die 2 Holzstifte (F) am linken Seitenteil (5), indem Sie 2 Schrauben (E) durch die Schraubenlöcher des linken Seitenteils (5) stecken und an den 2 Holzstiften (F) festziehen.
-

SCHRITT 18

Option 1: Befestigung an Trockenbauwand

1. Positionieren Sie den Schrank und die einstellbaren Ankerbügel (N) an der gewünschten Stelle an der Wand. Machen Sie mit einem Bleistift durch die Löcher der einstellbaren Ankerbügel (N) 2 kleine Markierungen an der Wand. Entfernen Sie den Schrank von der Wand und schrauben Sie 2 Kunststoffdübel (M) an den Bleistiftmarkierungen in die Wand.
2. Stellen Sie den Schrank an die Wand, stecken Sie 2 Schrauben (D) durch die Löcher in den Halterungen (N) und ziehen Sie sie dann in den Kunststoffdübeln (M) fest.

Option 2: Befestigung an Trockenbauwand und Holzständer

1. Positionieren Sie den Schrank und die einstellbaren Ankerbügel (N) an der gewünschten Stelle an der Wand. Stecken Sie 2 Schrauben (D) durch die Löcher der einstellbaren Ankerbügel (N) und ziehen Sie sie dann durch die Trockenbauwand hindurch im Holzbalken fest.

*Tipp: Die einstellbaren Ankerbügel (N) können je nach Bedarf auf den richtigen Abstand zwischen Wand und Schrank eingestellt werden. Nach der Justierung müssen die Halterungen im Schrank zur Gewährleistung der Stabilität wieder festgezogen werden.

VORSICHTSHINWEIS FÜR ERWACHSENE: Der Schrank sollte regelmäßig auf Schäden oder lose Schrauben/Teile überprüft werden. Ergreifen Sie erforderliche Maßnahmen, um Gefahren zu beheben, wie das Anziehen von Schrauben und das Fernhalten beschädigter Teile von Kindern.

WARNUNG  **Bitte stellen Sie sicher, dass Ihr Artikel gemäß der Montageanleitung an der Wand befestigt ist.**

PFLEGEHINWEISE:

Mit einem mit Wasser angefeuchteten Tuch abwischen. Mit einem sauberen Tuch trockenwischen.

WICHTIG:

Bewahren Sie die Montageanleitung zum späteren Nachschlagen auf.