

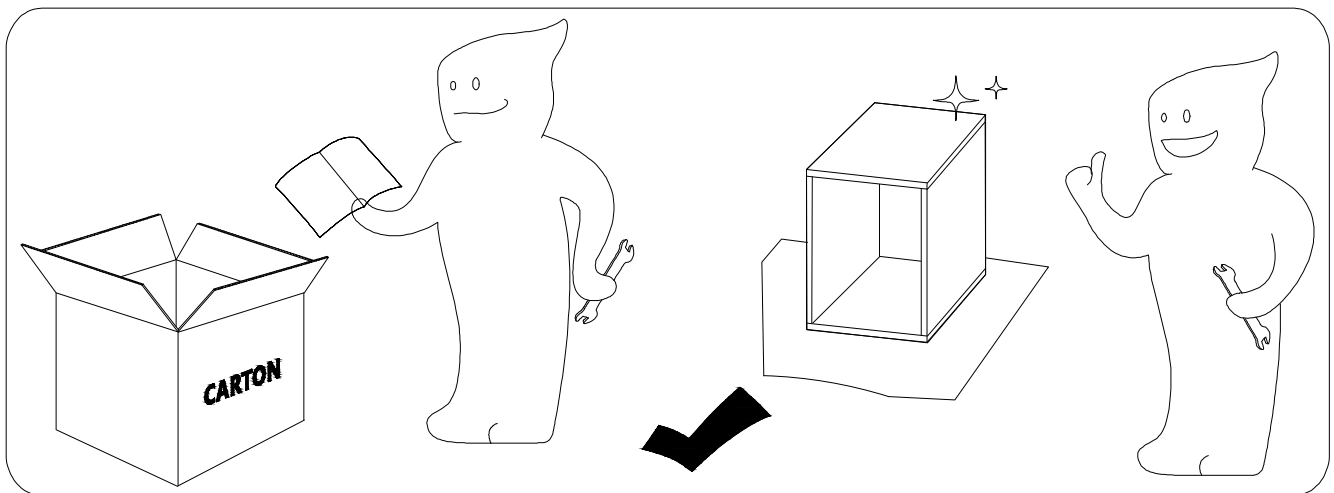
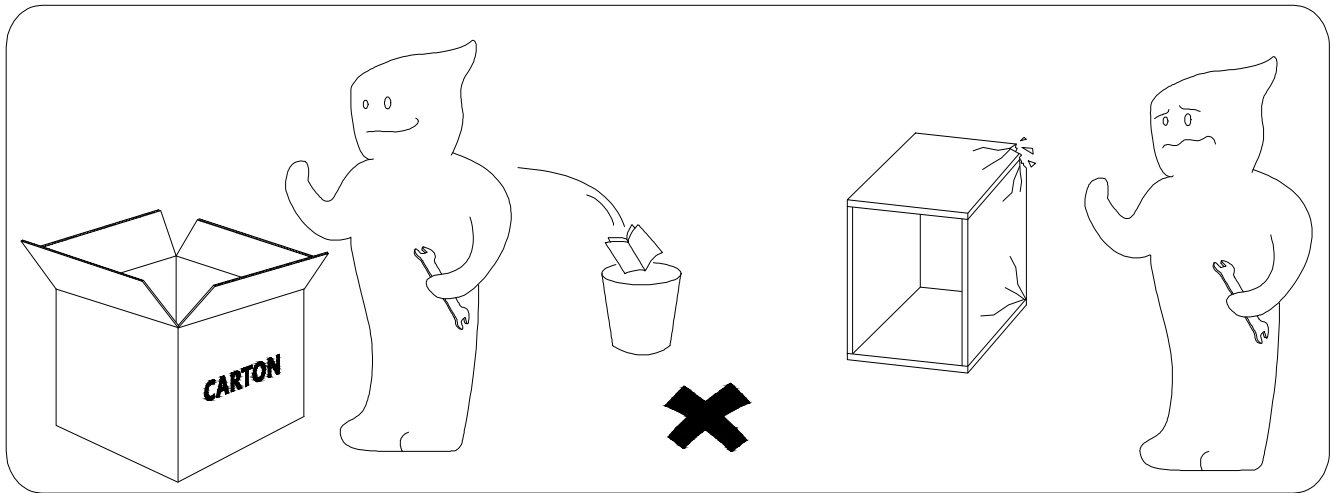
## BMB025 - K

Dear Customers,

Thank you for purchasing our product. Please read this instruction manual carefully after receiving this product. It will help you assemble this product quickly, safely and correctly. You can keep this manual for future reference.

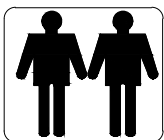
# ! IMPORTANT

Please follow the instruction manuals and use a pad to protect the product during your assembly.

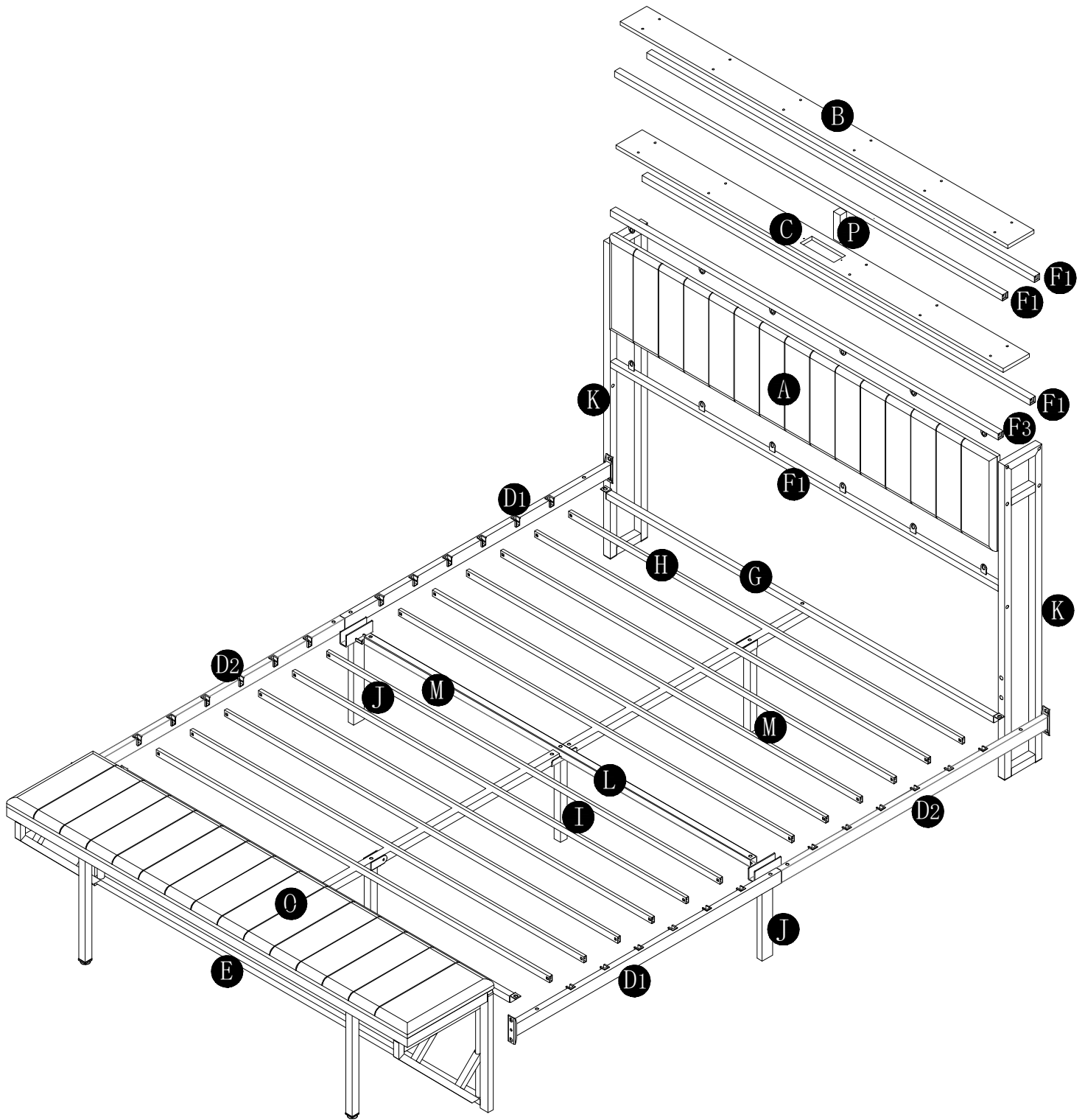
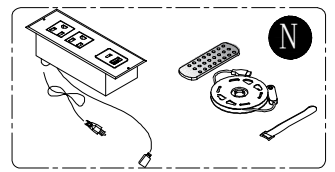


Note:

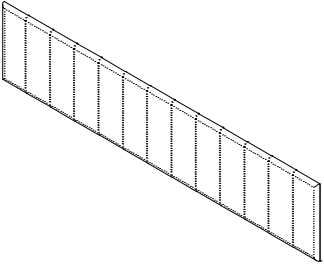
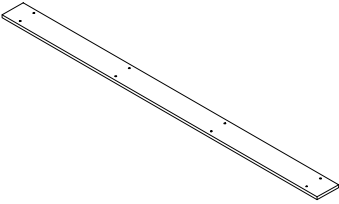
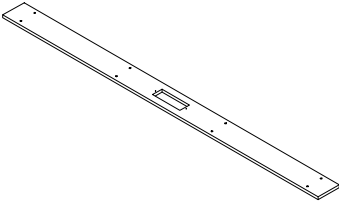
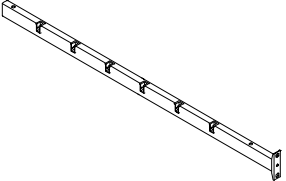
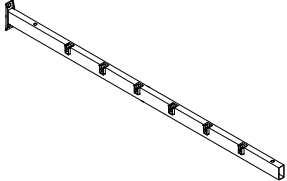
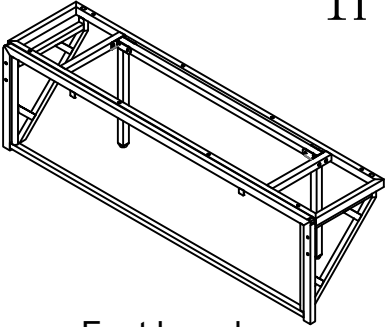
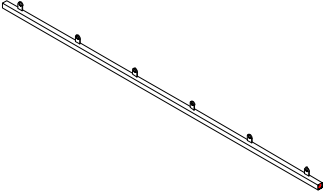
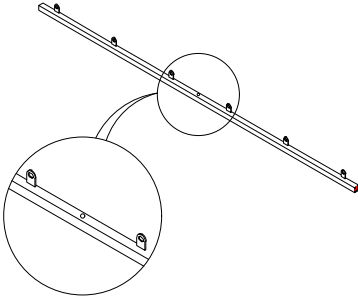
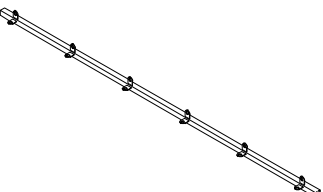
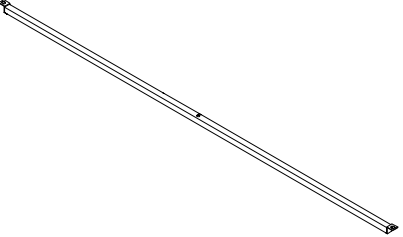
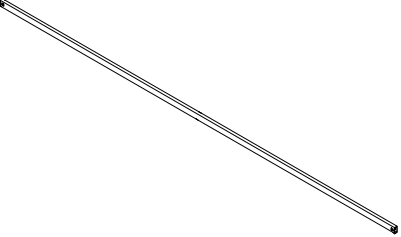
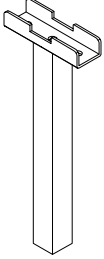
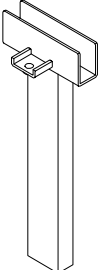
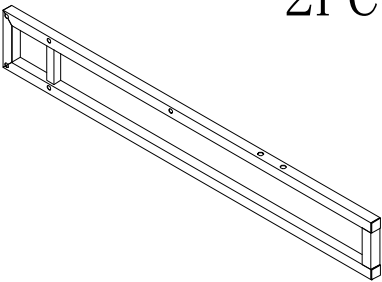
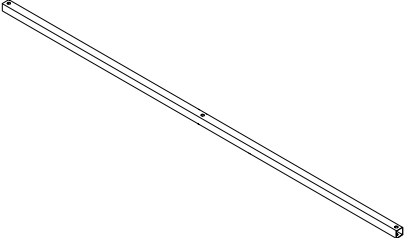
1. Should be assembled on flat ground to keep balance.
2. Before completing the installation, do not tighten the screws.



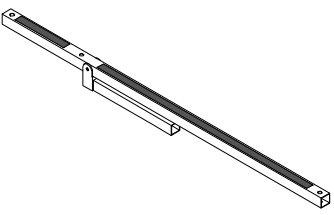
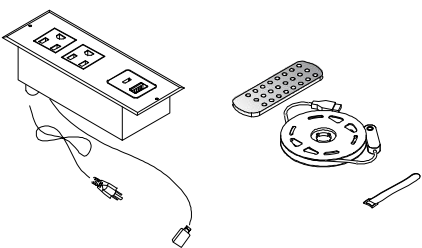
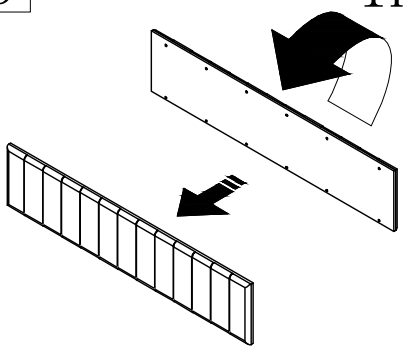
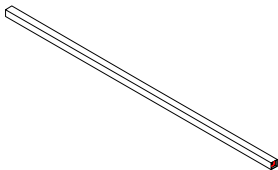
For easier and better assembly, 2 or more adults are required.



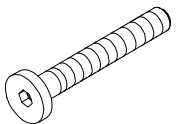
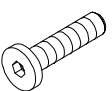
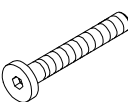
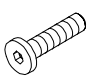

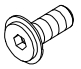
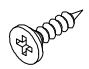
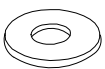
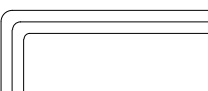
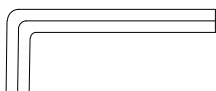
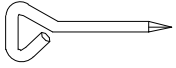
# Part list

|   |   |  |
|---|---|--|
| <p>A 1PC</p>  <p>Front headboard</p>       | <p>B 1PC</p>  <p>Upper layer board</p>     | <p>C 1PC</p>  <p>Middle layer board</p>   |
| <p>D1 2PCS</p>  <p>Left bed side</p>       | <p>D2 2PCS</p>  <p>Right bed side</p>      | <p>E 1PC</p>  <p>Foot board</p>           |
| <p>F1 2PCS</p>  <p>F1 connecting rod</p> | <p>F2 2PCS</p>  <p>F2 connecting rod</p> | <p>F3 1PC</p>  <p>F3 connecting rod</p> |
| <p>G 2PCS</p>  <p>Bar</p>                | <p>H 12PCS</p>  <p>Slat</p>             | <p>I 1PC</p>  <p>Support leg</p>        |
| <p>J 2PCS</p>  <p>Side Support leg</p>   | <p>K 2PCS</p>  <p>wing</p>              | <p>L 1PC</p>  <p>Beam</p>               |

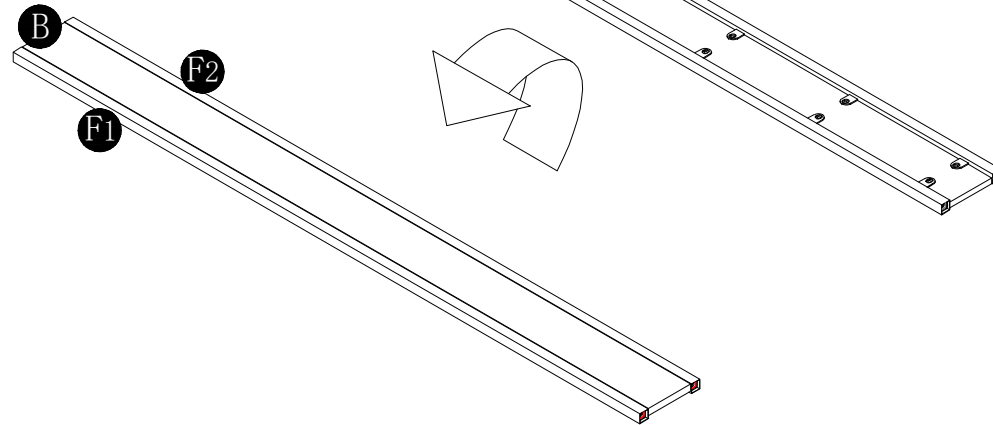
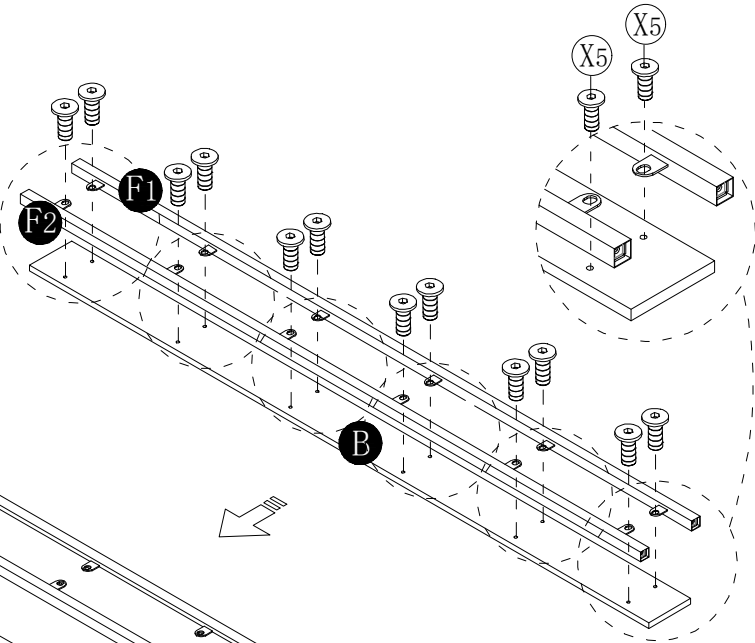
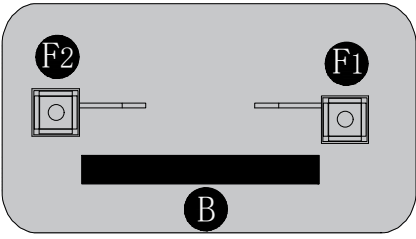
# Part list

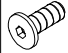
|  |  |   |
|--|--|---|
| <p>M</p> <p>2PCS</p>  <p>Middle support bar</p> | <p>N</p> <p>1PC</p>  <p>Transformer socket</p> | <p>O</p> <p>1PC</p>  |
| <p>P</p> <p>1PCS</p>                            |  |   |

# Hardware list

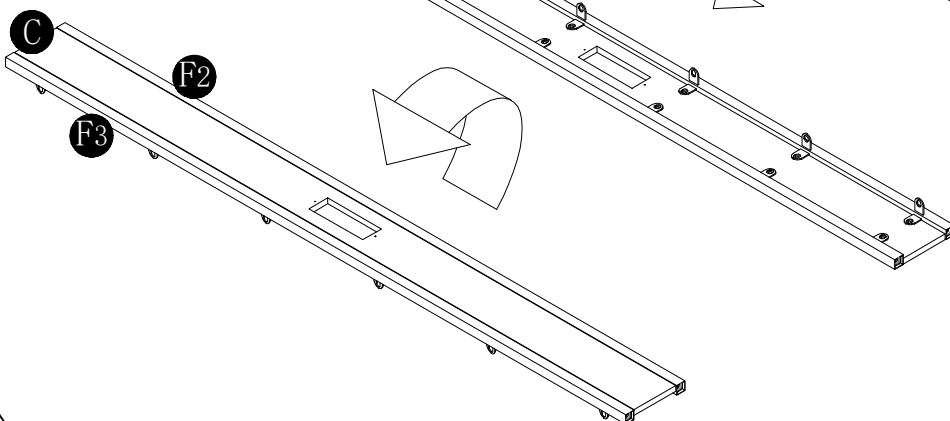
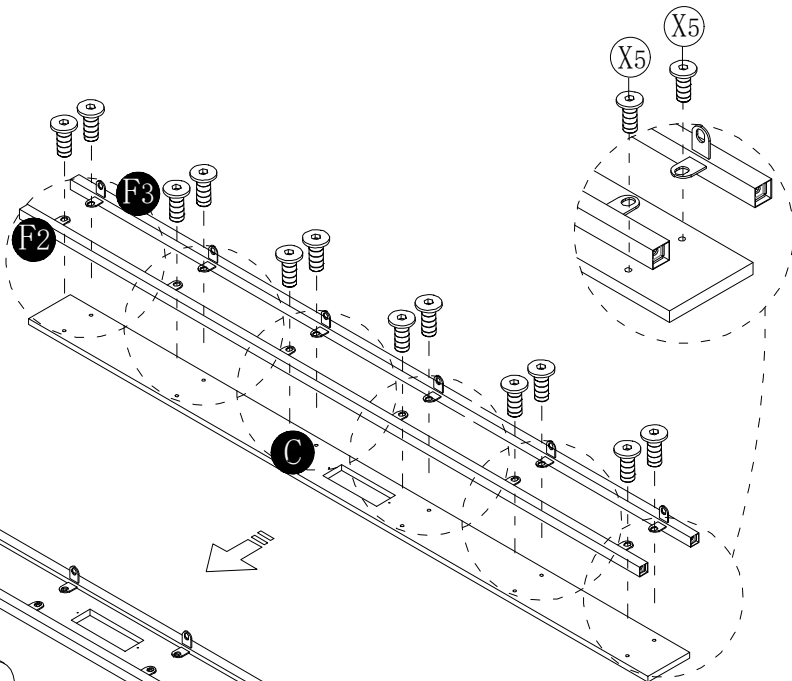
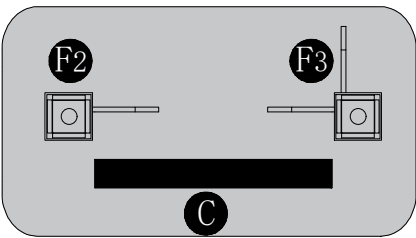
|  |  |   |  |
|--|--|---|--|
| <p>X1</p> <p>7PCS</p>  <p>M8*50mm</p>   | <p>X2</p> <p>18PCS</p>  <p>M8*45mm</p>  | <p>X3</p> <p>4PCS</p>  <p>M6*42mm</p>   | <p>X4</p> <p>4PCS</p>  <p>M6*32mm</p> |
| <p>X5</p> <p>36PCS</p>  <p>M6*12mm</p>  | <p>X6</p> <p>12PCS</p>  <p>M8*16mm</p>  | <p>X7</p> <p>2PCS</p>  <p>M3*16mm</p>   | <p>W</p> <p>9PCS</p>  <p>φ22*φ8.5</p> |
| <p>Z1</p> <p>1PC</p>  <p>M8 Spanner</p> | <p>Z2</p> <p>1PC</p>  <p>M6 Spanner</p> | <p>Z3</p> <p>1PC</p>  <p>M3 Spanner</p> |  |


1



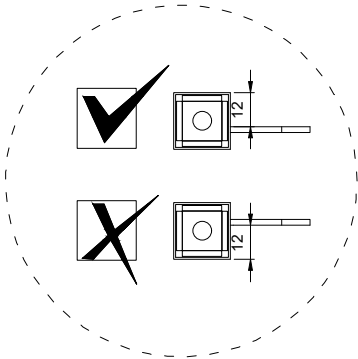
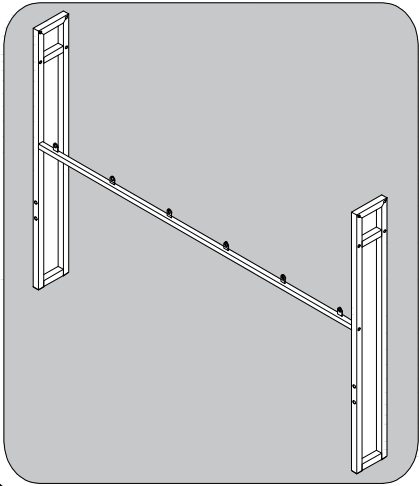
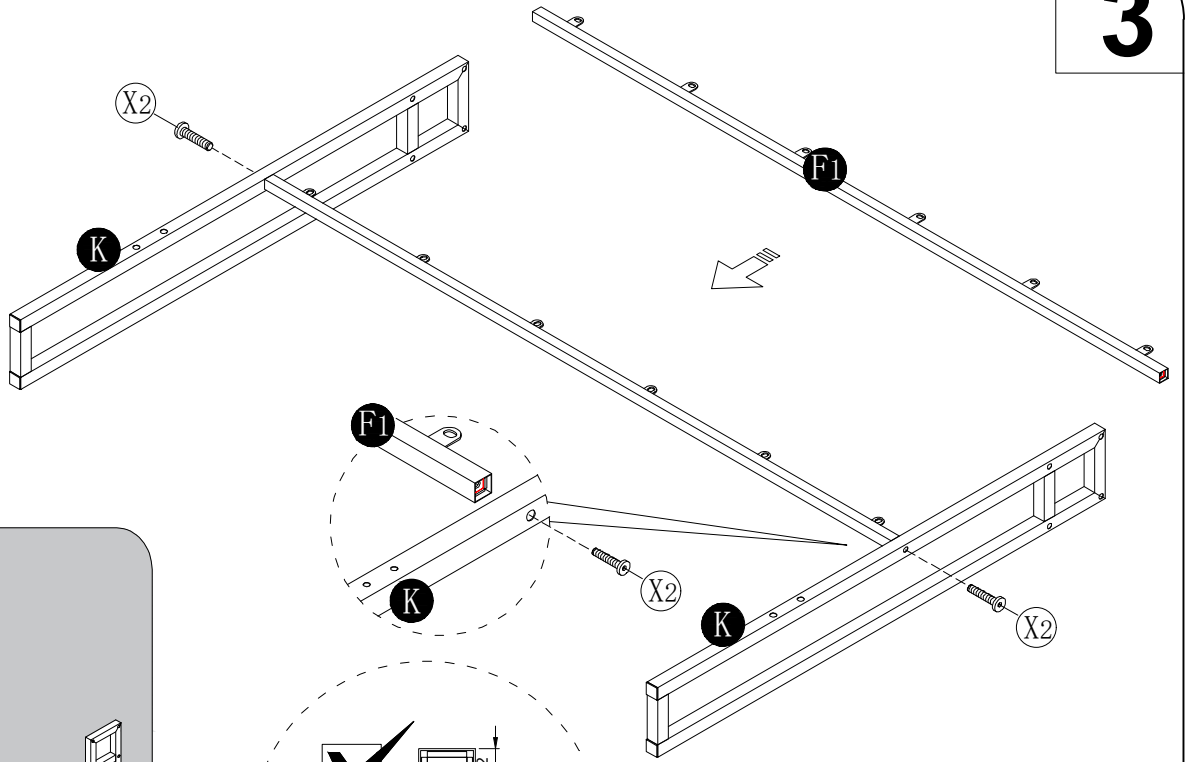
|   |         |
|---|---------|
| X5  | 12PCS   |
|  | M6*12mm |


2



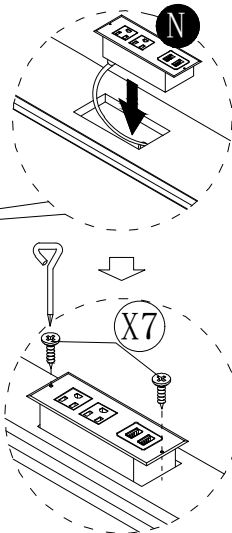
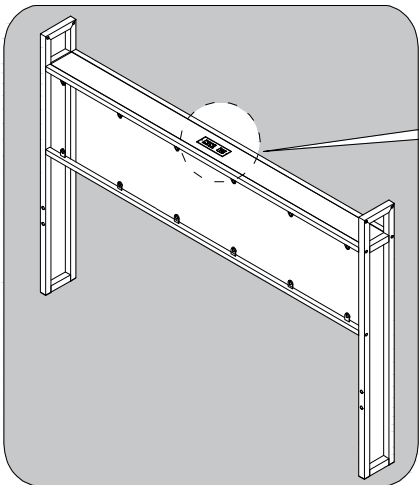
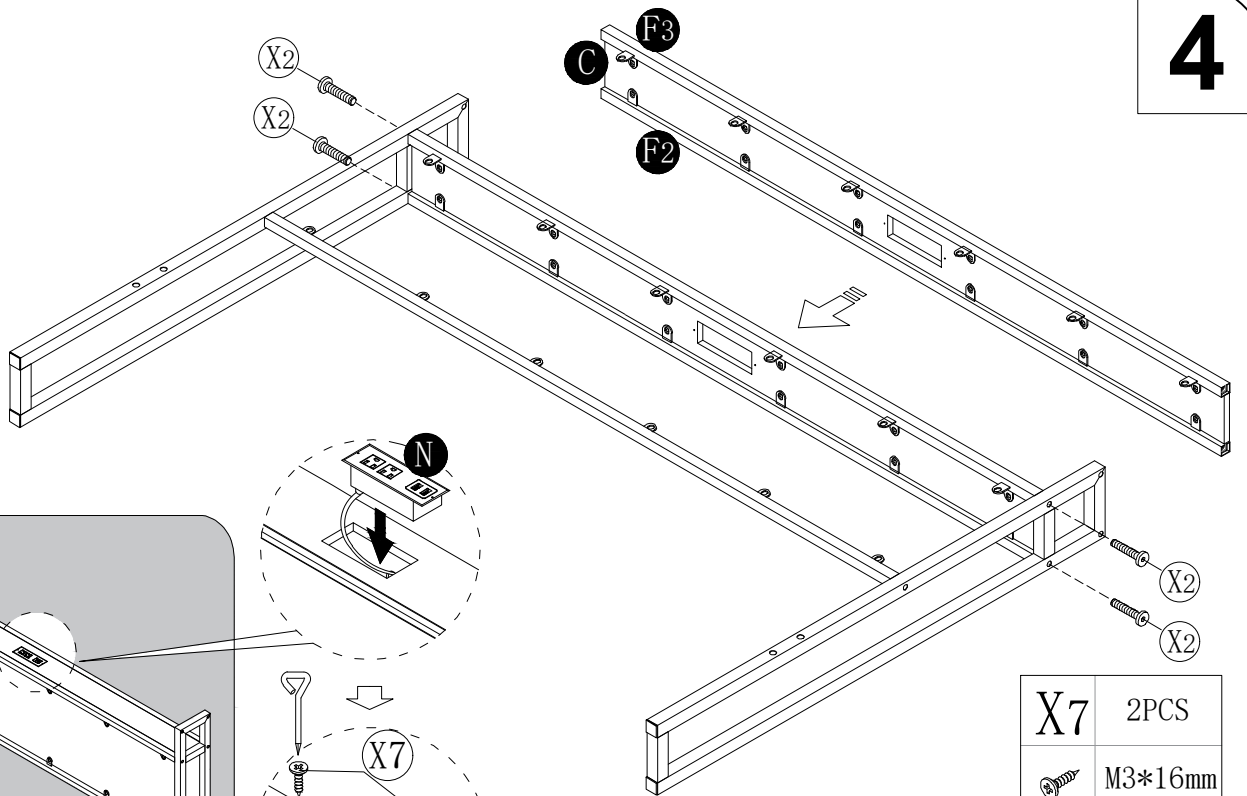
|   |         |
|---|---------|
| X5  | 12PCS   |
|  | M6*12mm |


3




|   |         |
|---|---------|
| X2  | 2PCS    |
|  | M8*45mm |

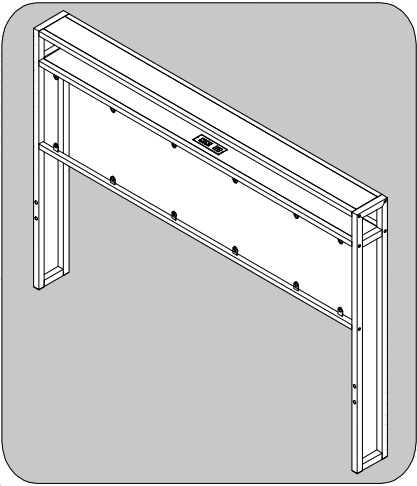
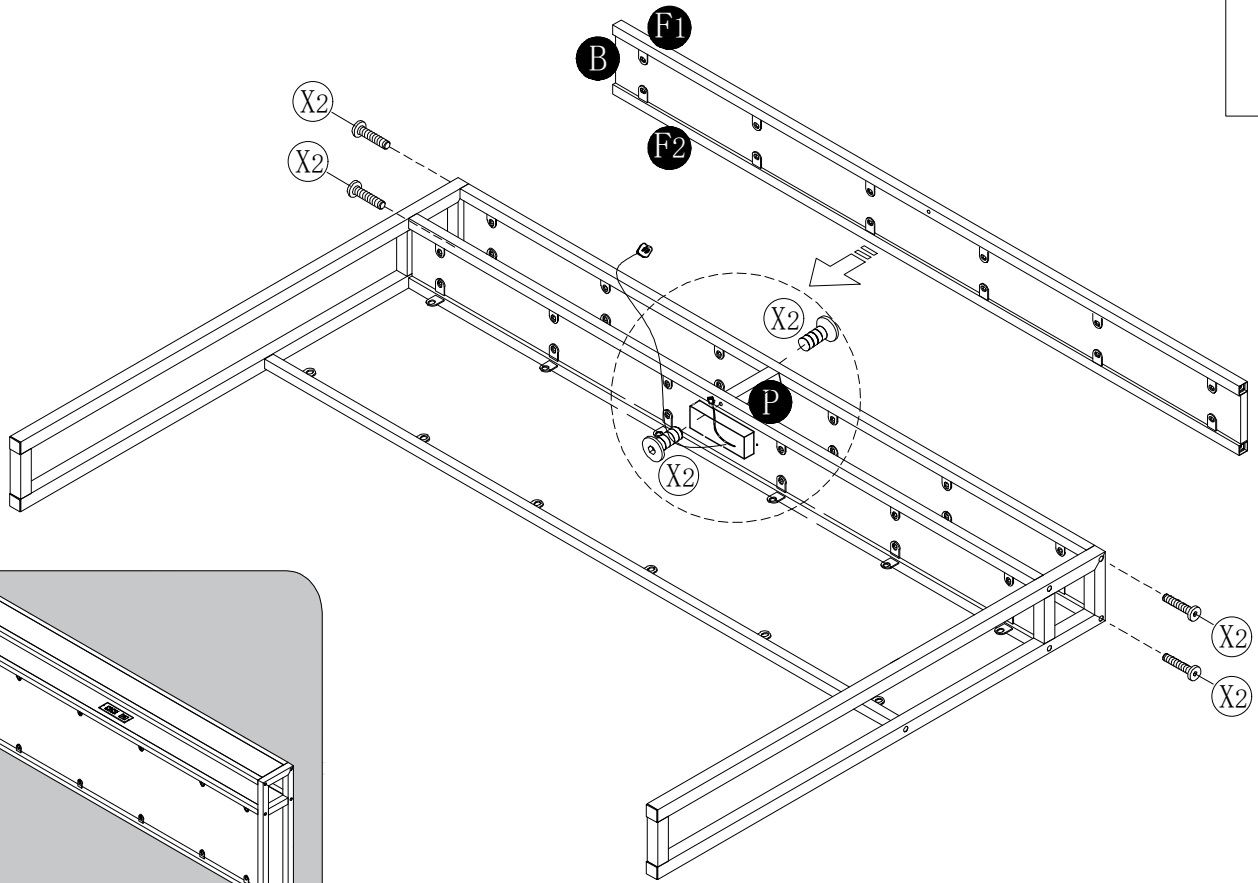
4




|   |         |
|---|---------|
| X7  | 2PCS    |
|  | M3*16mm |

|   |         |
|---|---------|
| X2  | 4PCS    |
|  | M8*45mm |


5

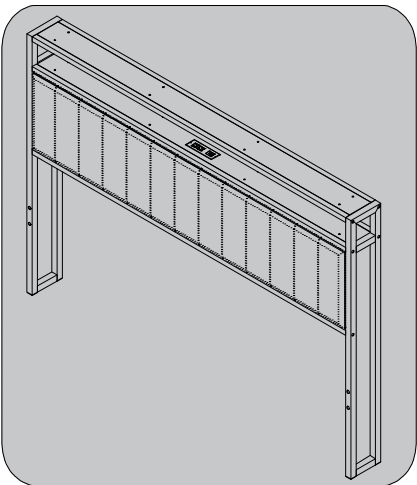
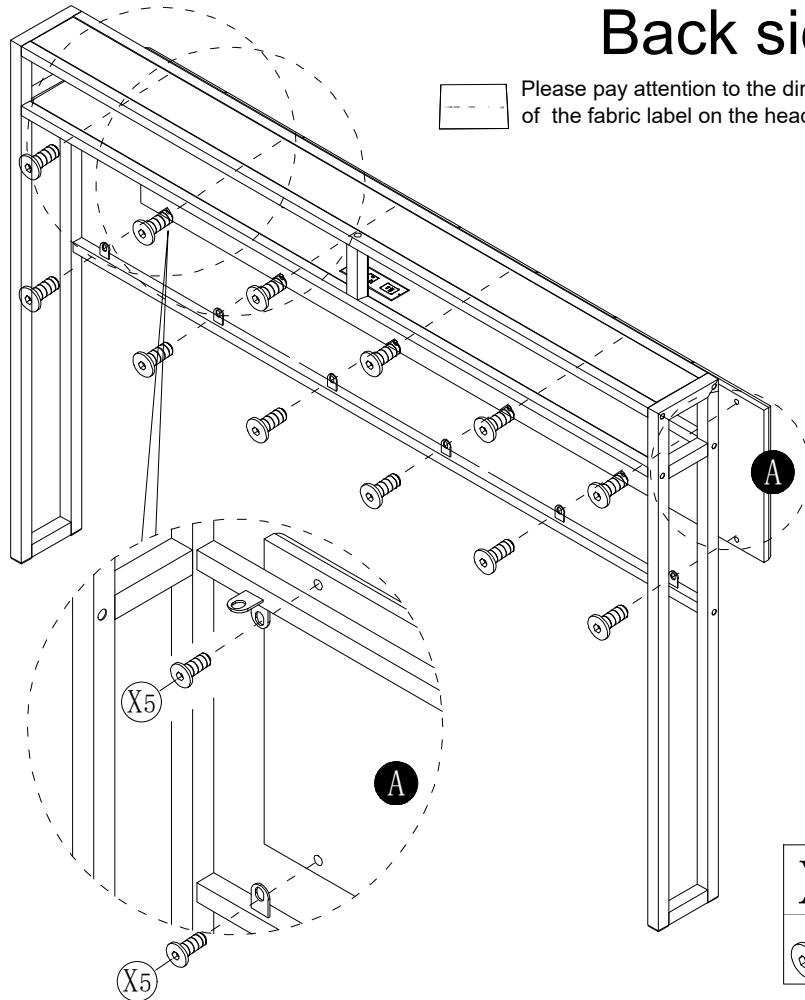
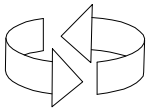



|   |         |
|---|---------|
| X2  | 6PCS    |
|  | M8*45mm |

### Back side

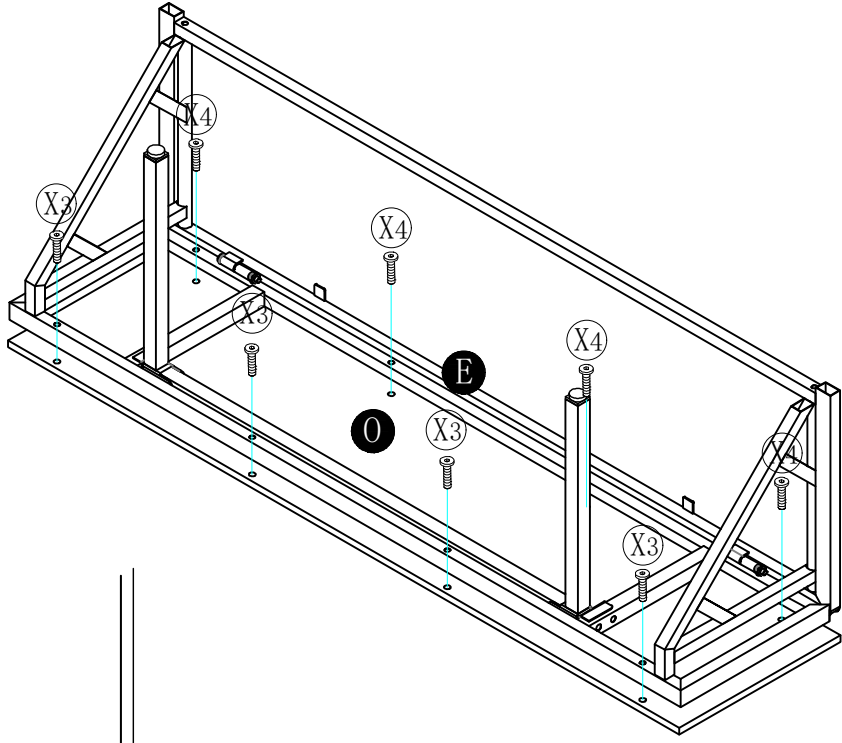
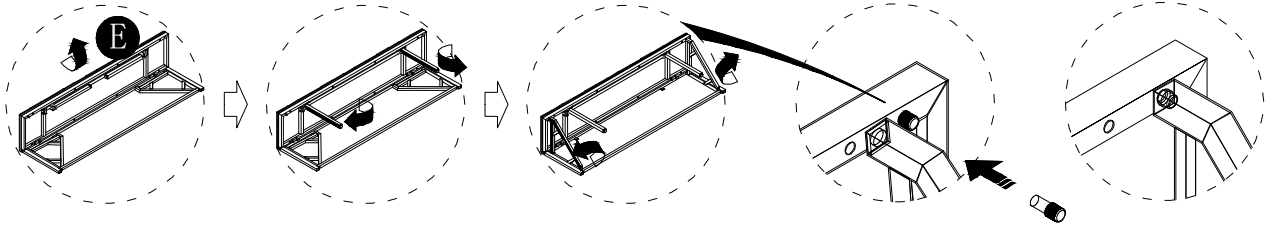
6



 Please pay attention to the direction of the fabric label on the headboard



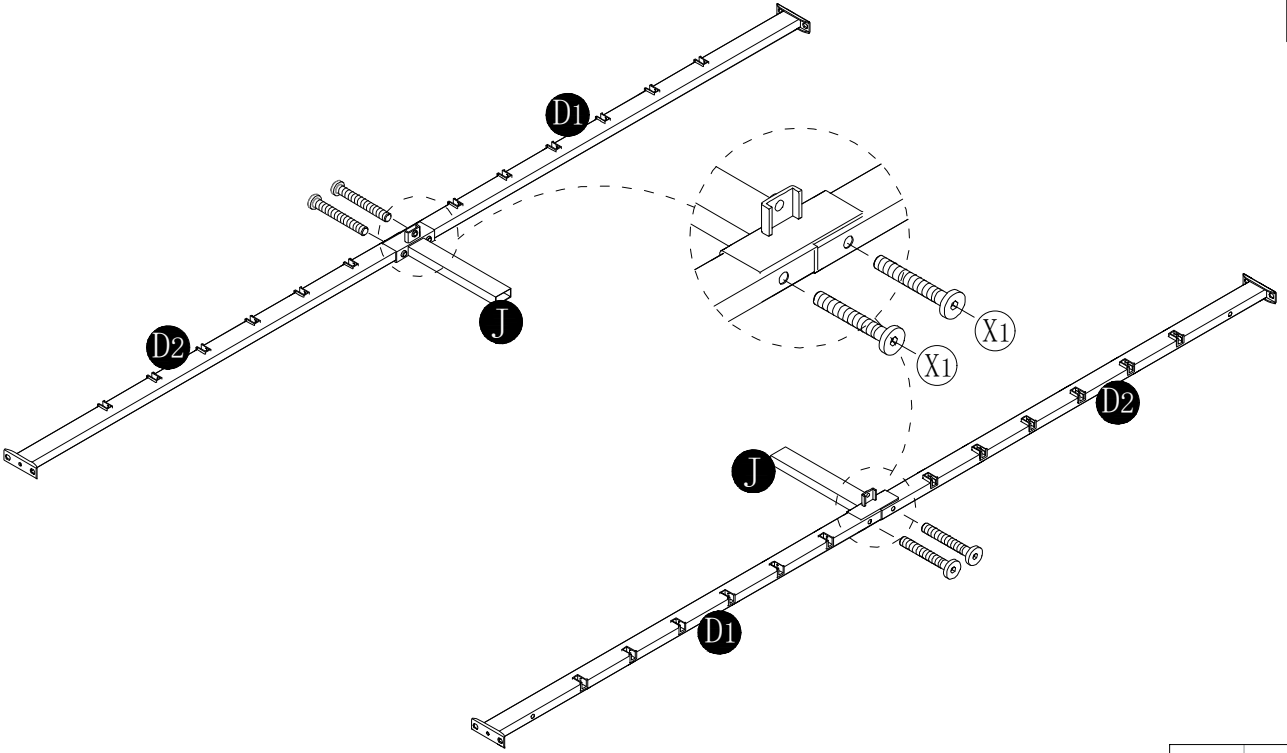
|   |         |
|---|---------|
| X5  | 12PCS   |
|  | M6*12mm |


7



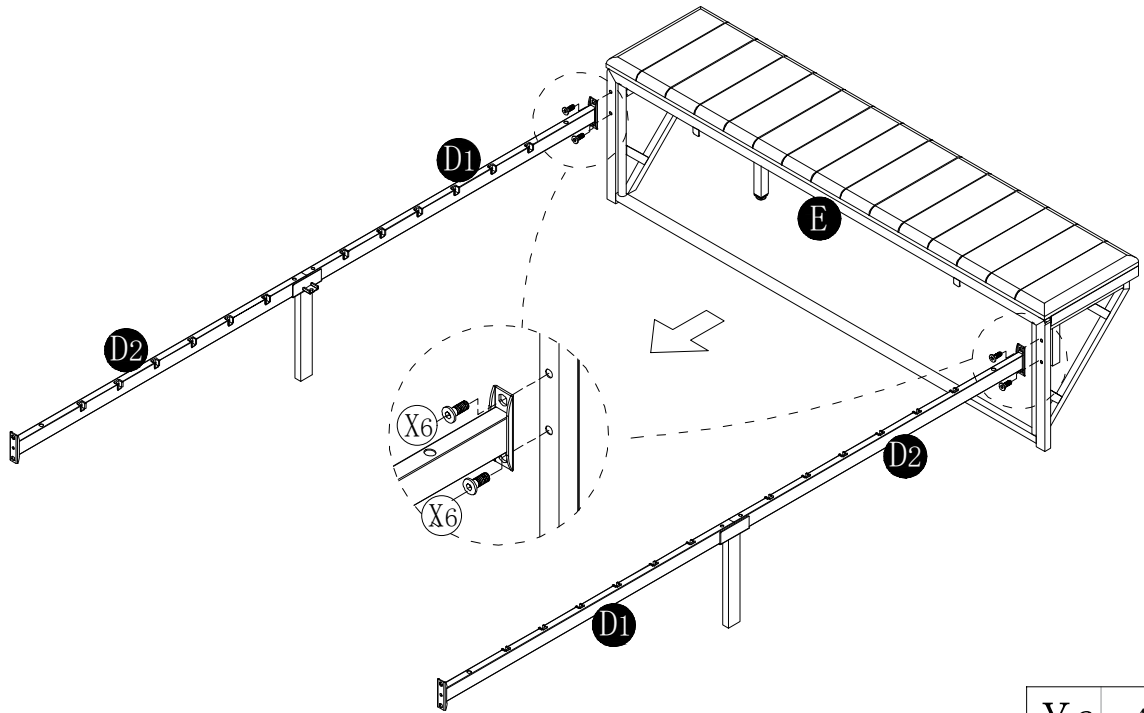
|  |         |
|--|---------|
| X3   | 4PCS    |
|   | M6*42mm |
| X4   | 4PCS    |
|  | M6*32mm |


8



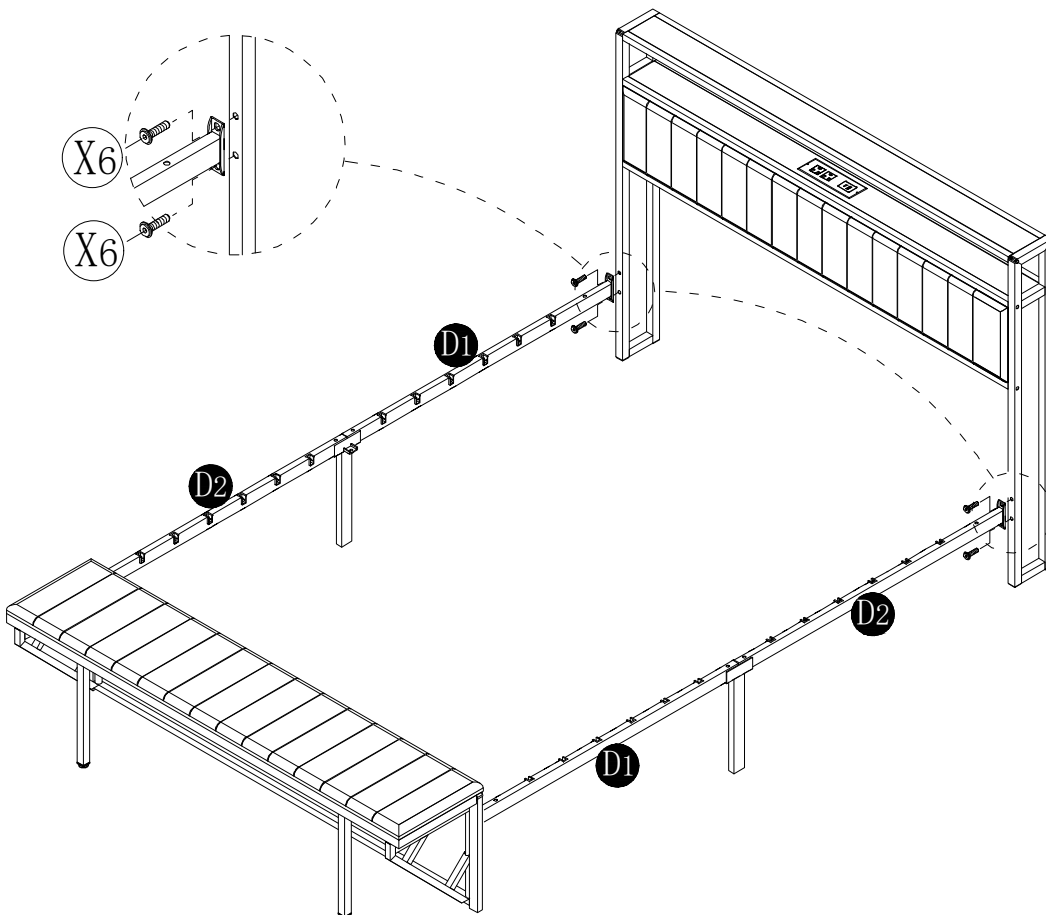
|   |         |
|---|---------|
| X1  | 4PCS    |
|  | M8*50mm |


9

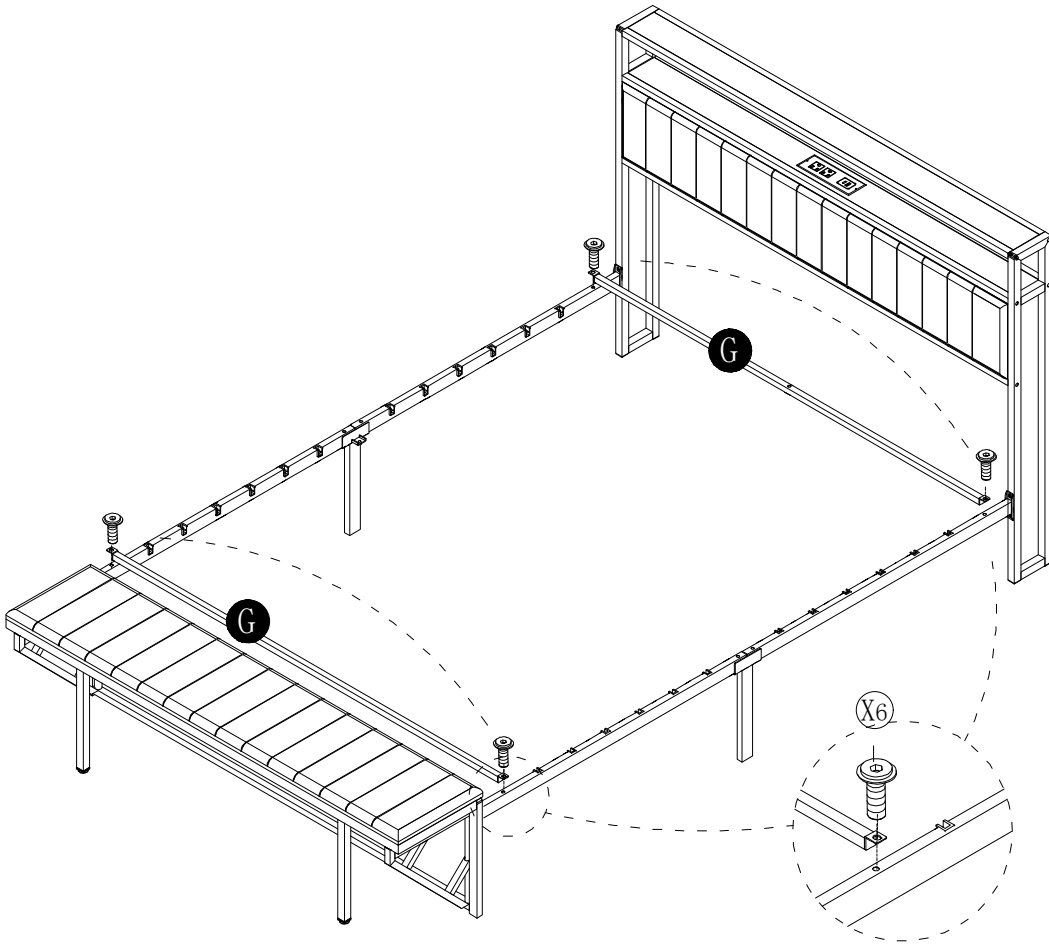



|  |         |
|--|---------|
| X6   | 4PCS    |
|  | M8*16mm |

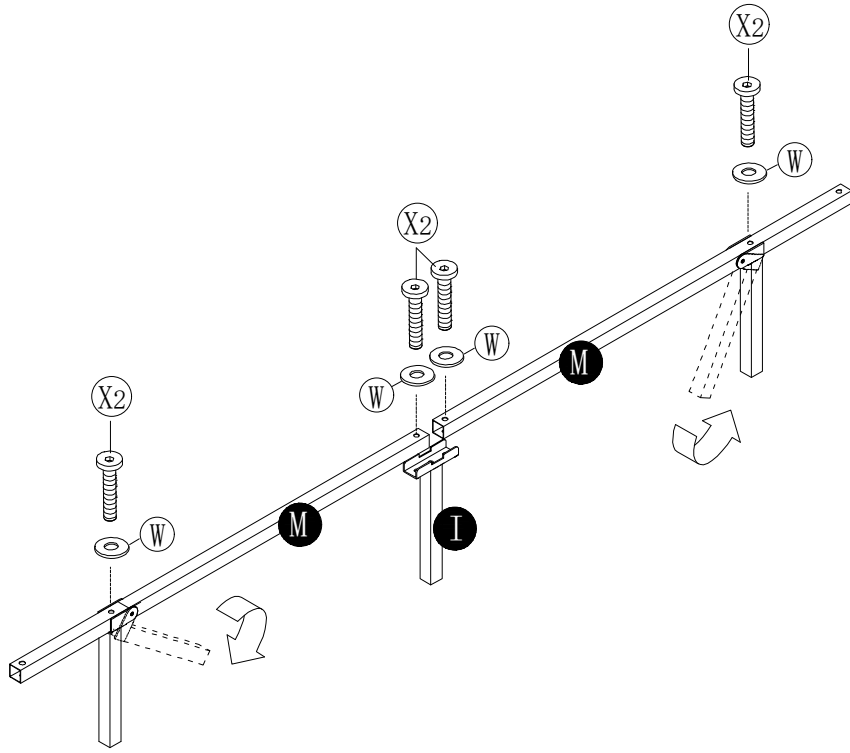
10




|   |         |
|---|---------|
| X6  | 4PCS    |
|  | M8*16mm |

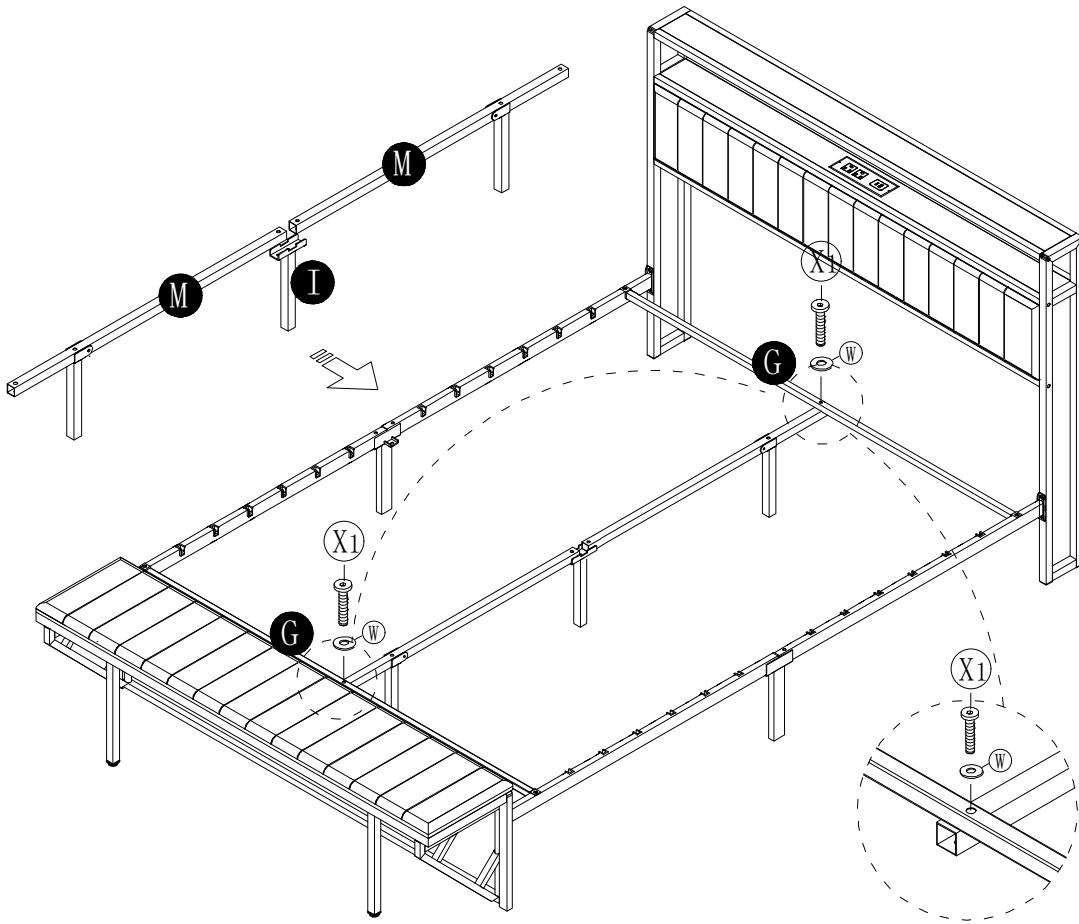




|  |         |
|--|---------|
| X6   | 4PCS    |
|  | M8*16mm |

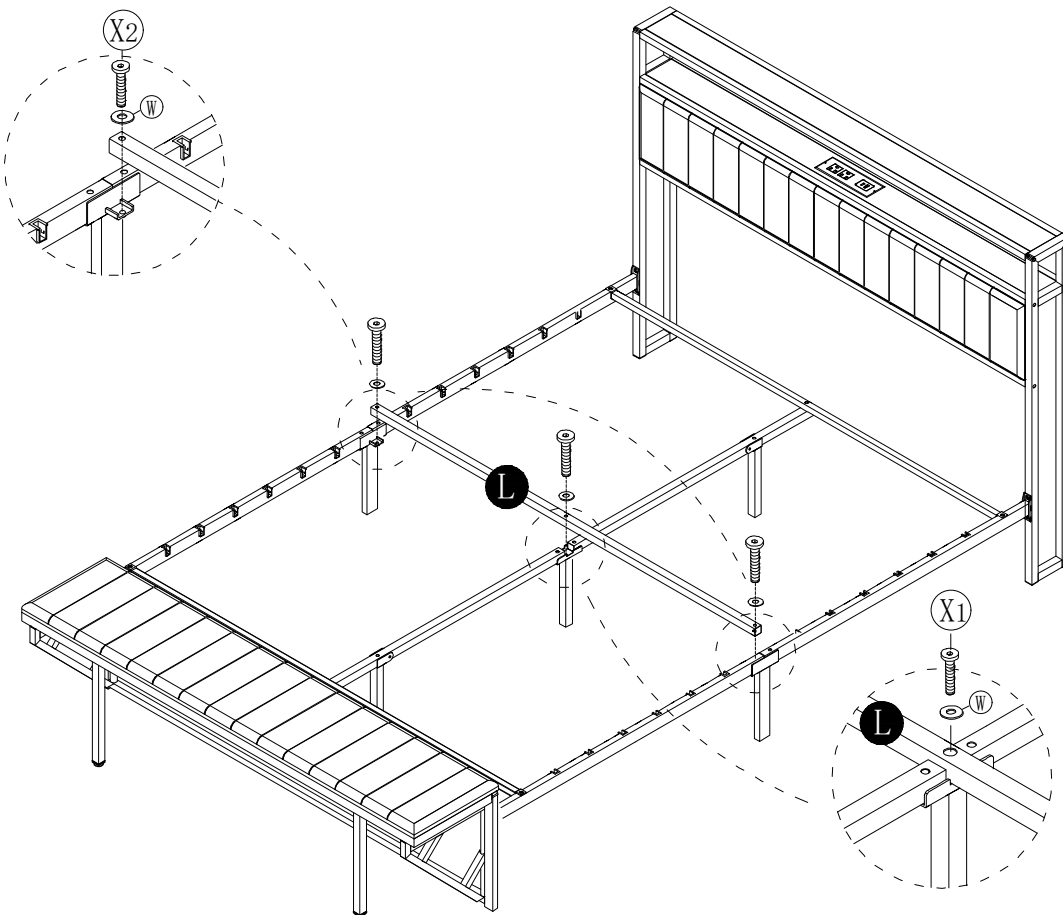





|   |         |
|---|---------|
| X2  | 4PCS    |
|  | M8*45mm |

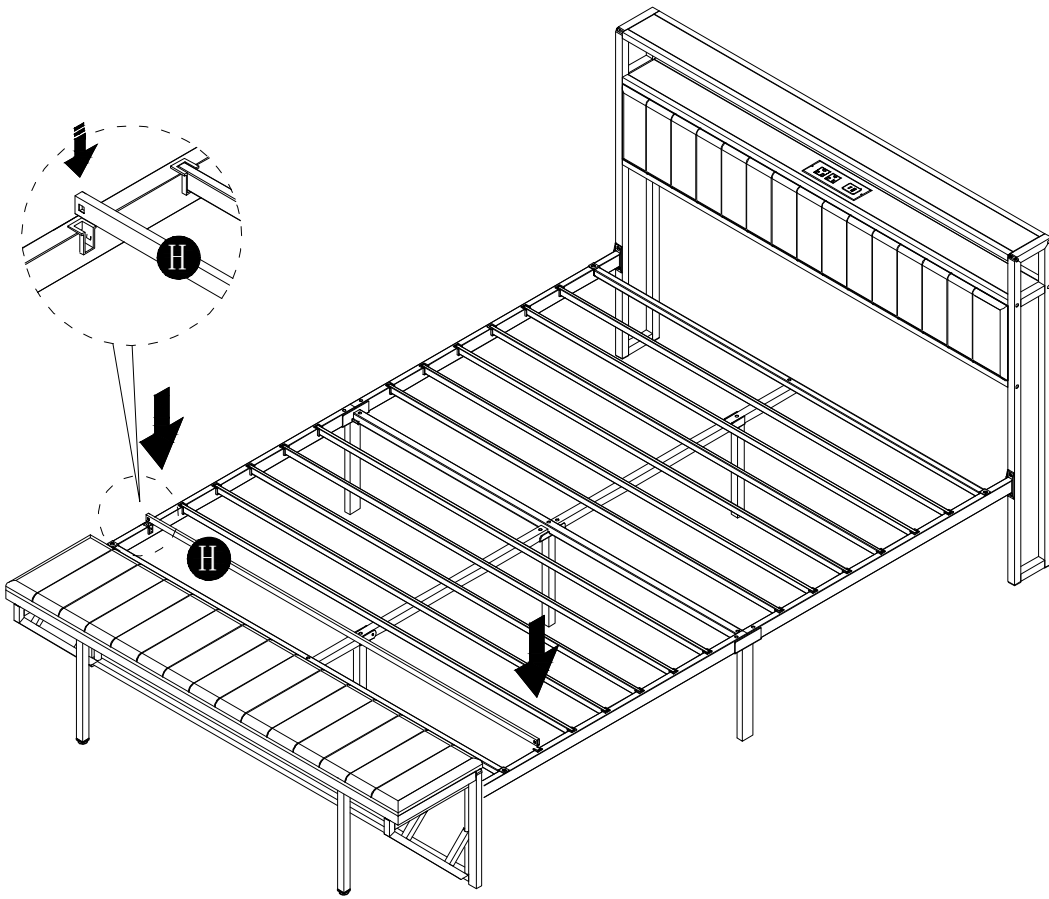
|   |   |      |
|---|---|------|
| W |  | 4PCS |
|---|---|------|



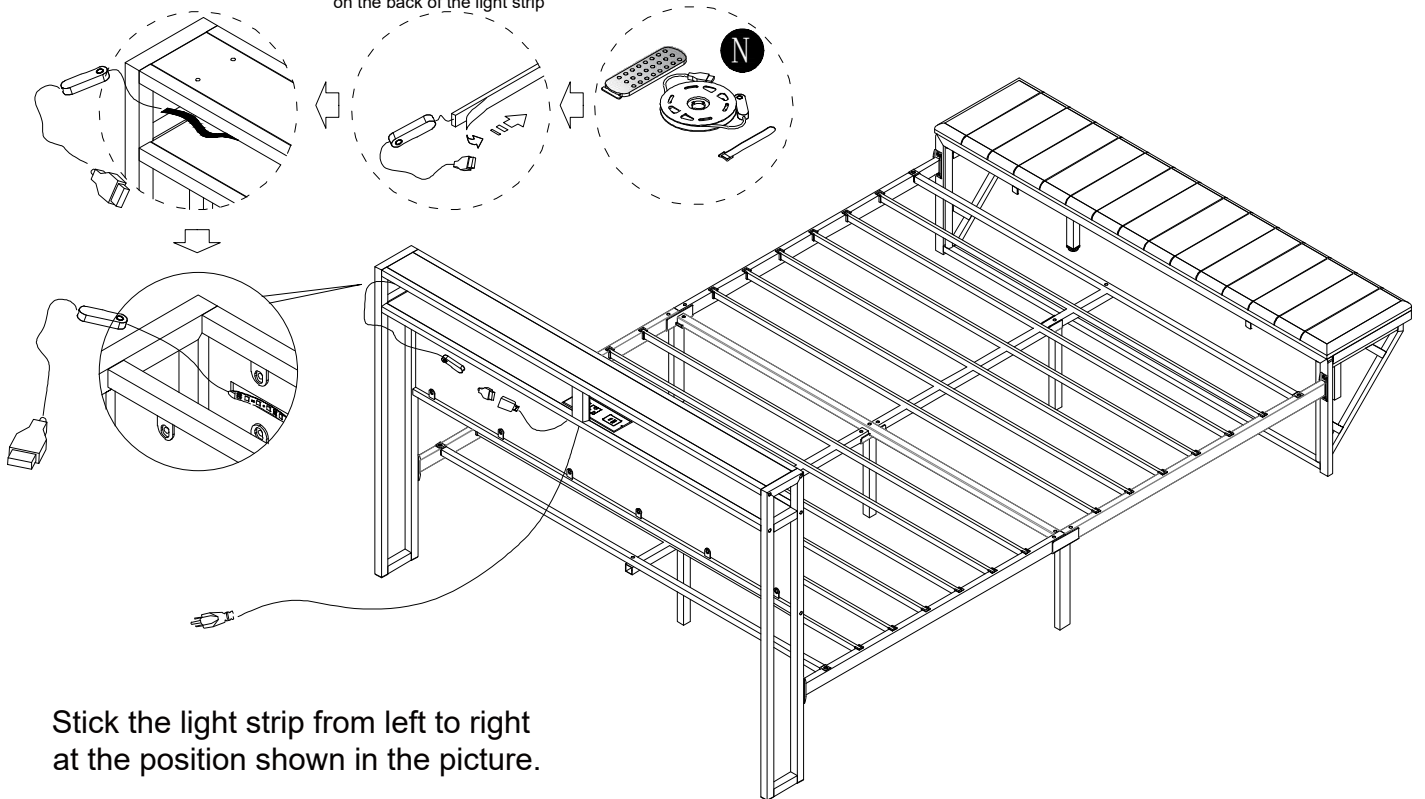
|   |   |
|---|---|
| X1  | 2PCS  |
|  | M8*50mm   |
| W   |  2PCS |



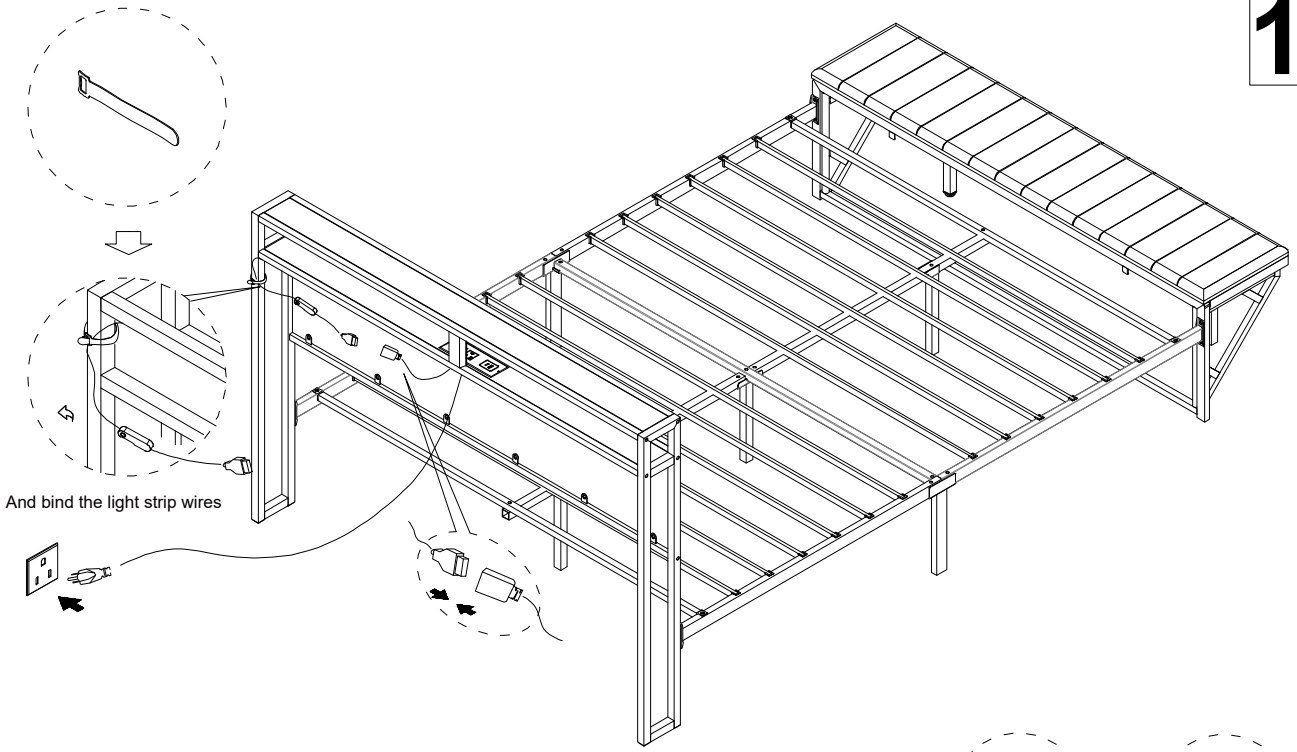
|   |  |
|---|--|
| X1  | 1PCS   |
|  | M8*50mm  |
| X2  | 2PCS   |
|  | M8*45mm  |
| W   |  3PCS |



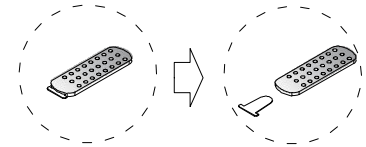
Tear off the colored plastic film on the back of the light strip



Stick the light strip from left to right at the position shown in the picture.



Installation Complete



Extract the insulation sheet

