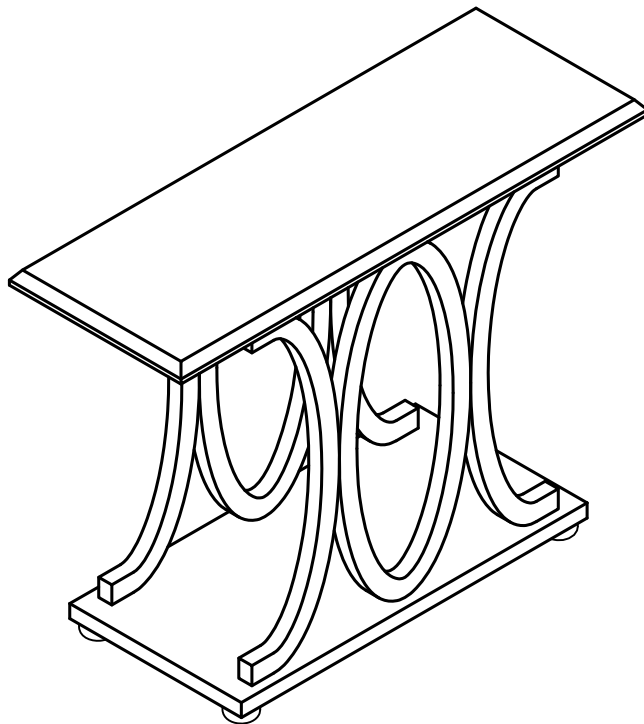


# *ASSEMBLY INSTRUCTIONS*



## ***Sofa Table***

## ASSEMBLY INSTRUCTIONS

### ASSEMBLY TIPS:

- 1.Remove hardware from box and sort by size.
- 2.Please check to see that all hardware and parts are present prior to start of assembly.
- 3.Please follow attached instructions in the same sequence as numbered to assure fast & easy assembly.



### Warning !!

1. Don't attempt to repair or modify parts that are broken or defective. Please contact the store immediately.
2. This product is for home use only and not intended for commercial establishment.

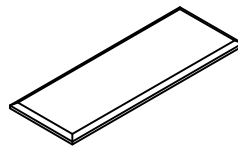


**ASSEMBLY TIME**

**30 MINUTES**

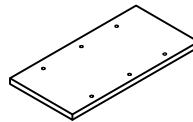
### PARTS IDENTIFICATION

(A) TOP PANEL



1 PC

(B) BASE



1 PC

(C) ELLIPTIC SUPPORT



2 PCS

(D) FRONT-RIGHT ARC LEG/ REAR-LEFT ARC LEG



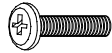
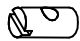



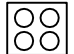



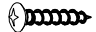

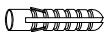

2 PCS

(E) REAR-RIGHT ARC LEG/ FRONT-LEFT ARC LEG



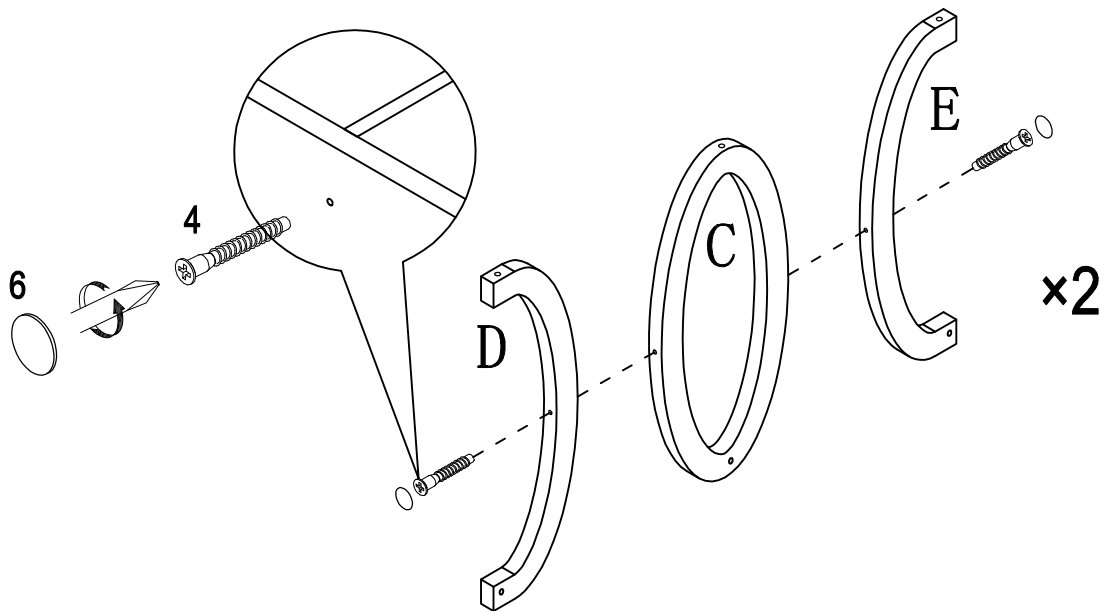
2 PCS

## HARDWARE IDENTIFICATION

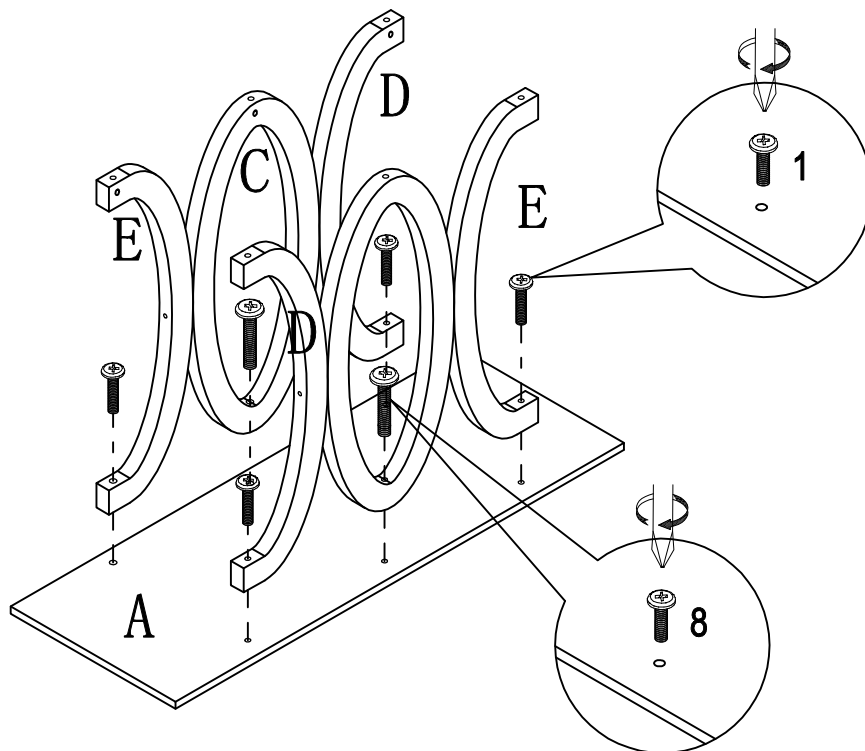
1	SMALL FLAT-HEAD SCREW	Ø6×40mm		4pcs
2	HAMMER NUT	Ø10×15mm		6pcs
3	HAMMER BOLT	M6×55mm		6pcs
4	WOOD SCREW	Ø7×58mm		4pcs
5	PLASTIC PAD WITH SCREW	Ø55×25mm		4pcs
6	STICKER	Ø18mm		10pcs
7	ALLEN WRENCH	M4mm		1pc
8	BIG FLAT-HEAD SCREW	Ø6×60mm		2pcs
9	THE RESTRAINT STRAP	197×5×1mm		1pc
10	SMALL SCREW	Ø4×25mm		1pc
11	WALL SCREW	Ø5×40mm		1pc
12	PLASTIC ANCHOR	Ø8×40mm		1pc
13	BRACKET	12×12×1mm		2pcs

# ASSEMBLY INSTRUCTIONS

## STEP 1

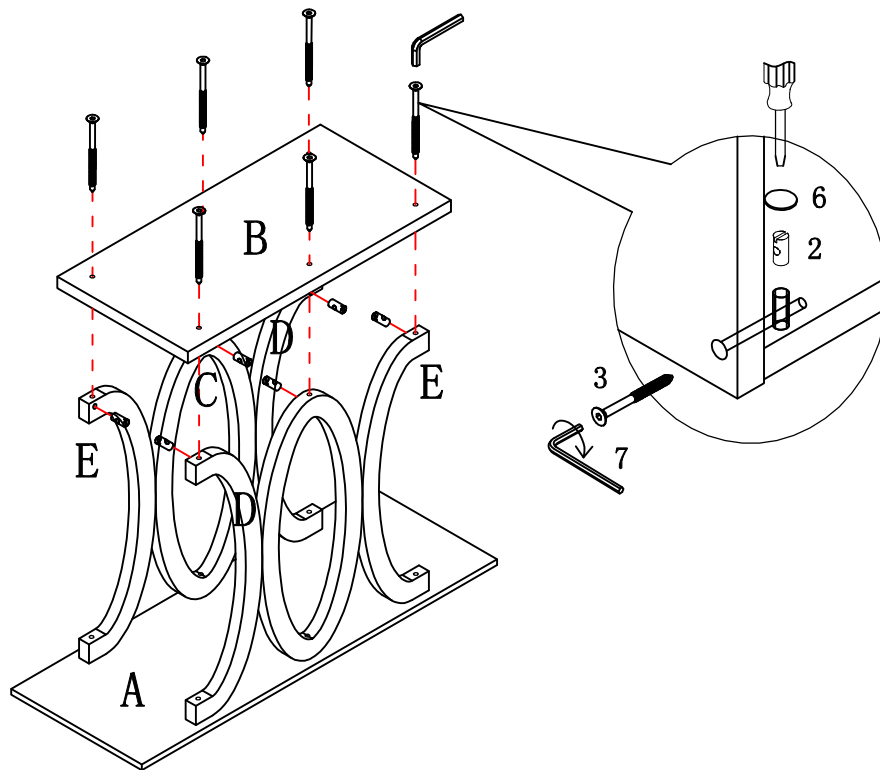


## STEP 2

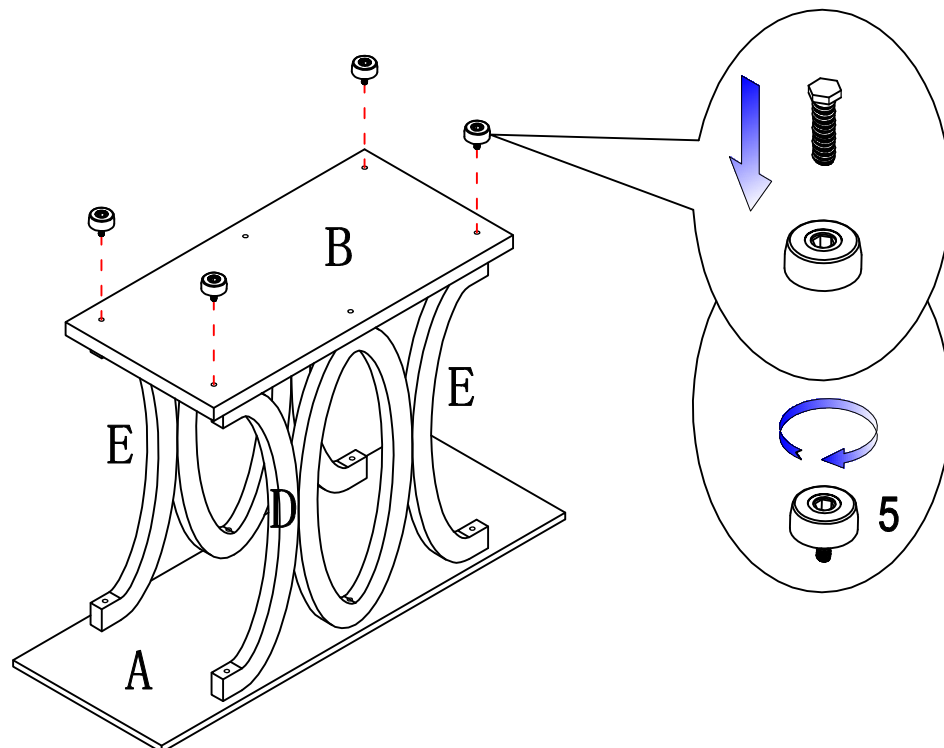


# ASSEMBLY INSTRUCTIONS

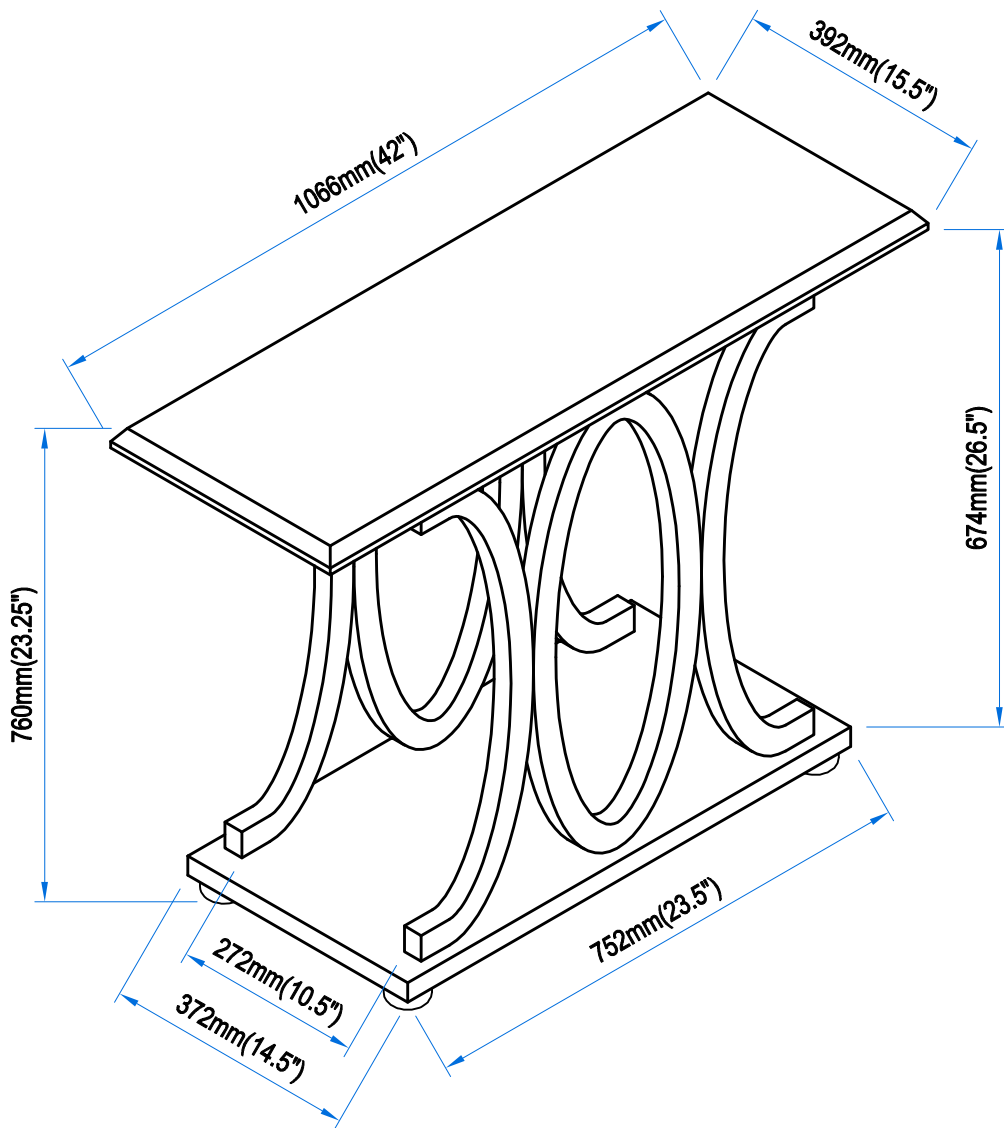
## STEP 3



## STEP 4



# DIMENSION



# ANTI-TIPPING INSTALLMENT INSTRUCTIONS

## FURNITURE TIPPING RESTRAINT

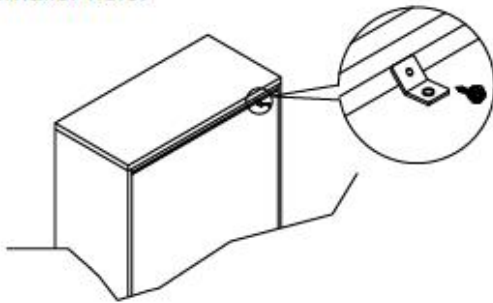
### WARNING

Injury may result from tipping furniture.  
This restraint may protect against tipping furniture.  
Do not allow children to climb on furniture.  
This restraint is not a substitute for proper adult supervision.  
Failure to detach this restraint before moving the furniture may result in injury and damage.

This tip restraint must be attached to a wall stud using long screw enclosed.

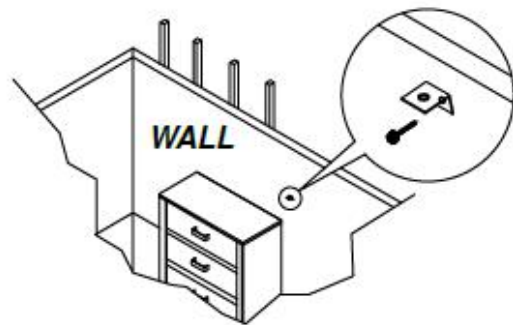
### STEP 1

Attach a bracket securely to the back top rail to the furniture using short screw provided, through the smaller hole.



### STEP 2

Locate the other bracket on the wall over a wall stud and two inches below the mounting bracket secured to the back of the furniture. Attach the wall stud using the long screw provided, through the smaller hole.



### STEP 3

Place the furniture into position so both mounting brackets are vertically in line. Lace the end of the restraint strap through the larger hole in each mounting bracket. Bring both ends together and slide the flat end through the locking and draw it until all slack is removed. Confirm that the strap is securely laced and locked.

