

FISH CLEANING TABLE

USER MANUAL

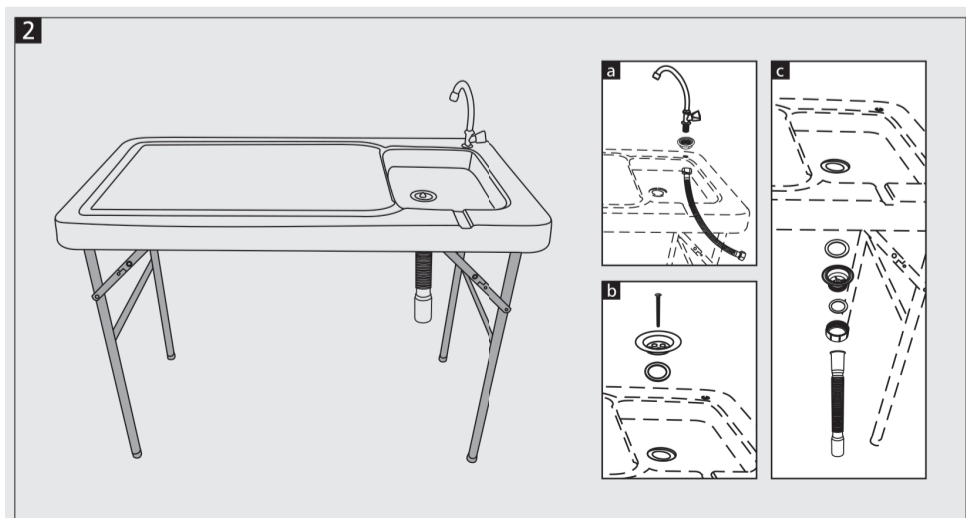
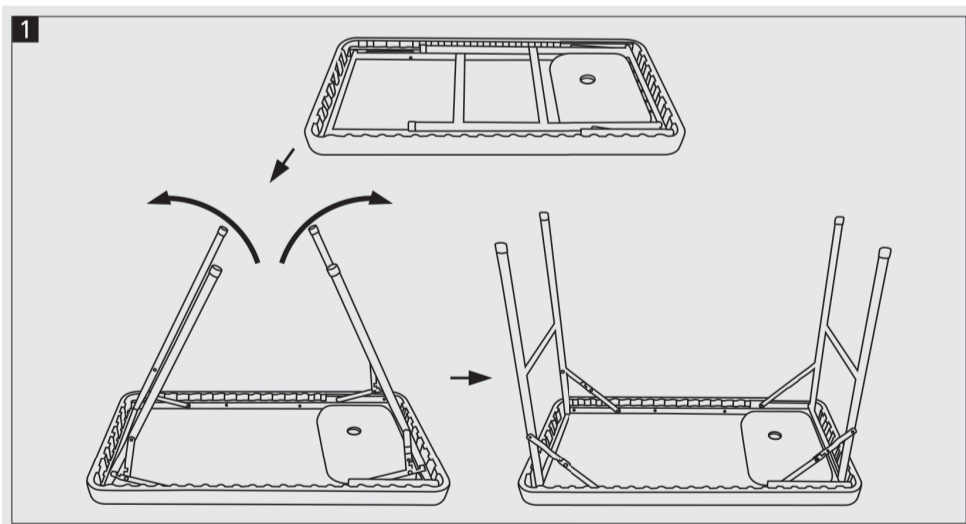


Please install the folding fish cleaning table step by step as follows.

STEP 1

Remove Station from the box and position it on the ground as illustrated below. Open up each leg set and lock into place.

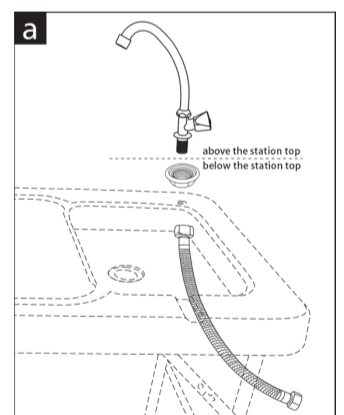
(MAKE SURE LEGS ARE COMPLETELY LOCKED IN POSITION BEFORE USING!)



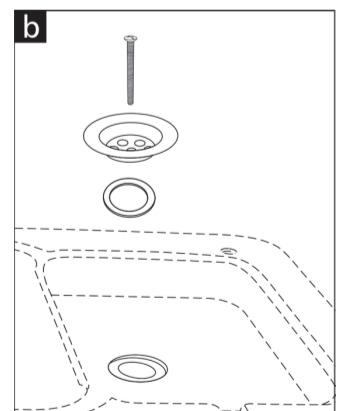
STEP 2

Faucet and Drain Assembly.

- a** Faucet Connection: The "female hose end is connected to the faucet end and the 1" female end is connected to a standard U.S. garden hose.



- b** Drain Connection: The metal drain, Screw and rubber washer are placed on the station's top side.



- c** Drain Connection: The rest of the components are placed under the stations top side.(see diagram)

