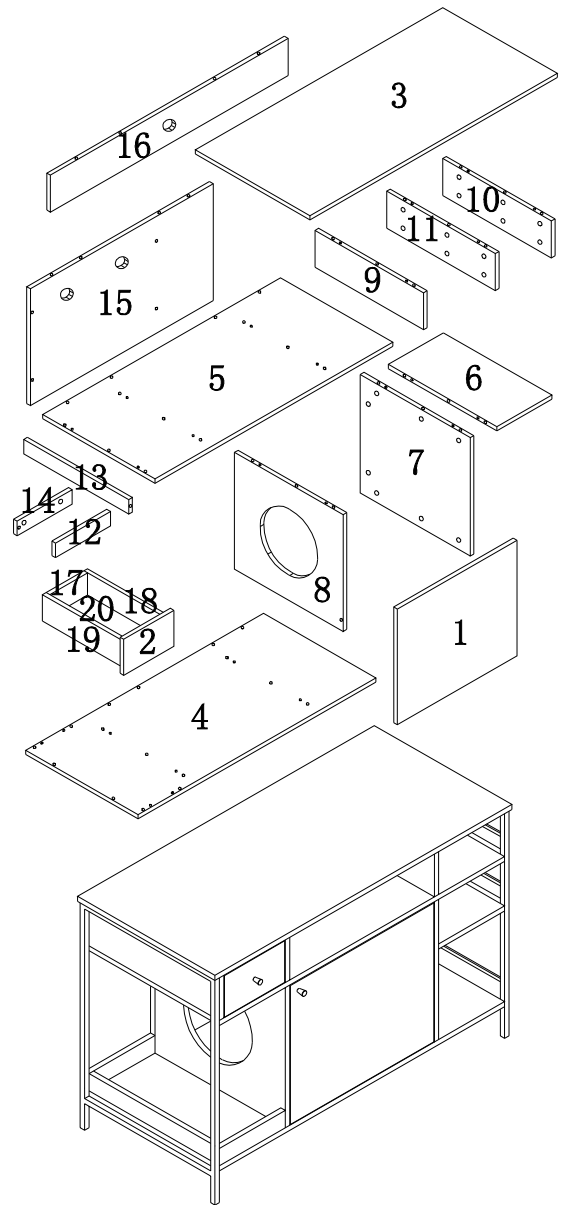


Item No.	Cat Litter Box Enclosure	Height
		1080 × 730 × 500 mm

No.	Description	Measurement in mm	Quantity
No. 1	Door Plate	438 × 522 × 16	1
No. 2	Drawer Front Panel	220 × 136 × 16	1
No. 3	Top Panel	1080 × 500 × 16	1
No. 4	Bottom Plate	1038 × 490 × 16	1
No. 5	Top Shelf Panel	1038 × 490 × 16	1
No. 6	Bottom Shelf Panel	240 × 473 × 16	1
No. 7	Bottom Right Side Panel	442 × 474 × 16	1
No. 8	Bottom Left Side Panel	442 × 474 × 16	1
No. 9	Top Right Side Panel	140 × 474 × 16	1
No. 10	Top Left Side Panel	140 × 474 × 16	1
No. 11	Top Middle Side Panel	140 × 474 × 16	1
No. 12	Front Drawbar Panel	55 × 240 × 16	1
No. 13	Left Drawbar Panel	55 × 458 × 16	1
No. 14	Back Drawbar Panel	55 × 240 × 16	1
No. 15	Bottom Back Panel	442 × 798 × 16	1
No. 16	Top Back Panel	140 × 1038 × 16	1
No. 17	Drawer Back Panel	165 × 100 × 16	1
No. 18	Drawer Right Side Panel	350 × 100 × 16	1
No. 19	Drawer Left Side Panel	350 × 100 × 16	1
No. 20	Drawer Bottom Panel	177 × 346 × 5	1
No. a	Cam Lock	∅ 15 × 12	70
No. b	Bolt for Cam Lock	M8 × 40	70
No. c	Sticker		70
No. d	Dowel 8×40mm	∅ 8 × 40	26
No. e	Countersunk screw 4×14mm	M4 × 14	28
No. f	Hinge		2
No. g	Closing Latch, Magnetic		1
No. h	Screw 4×20mm	M4 × 20	2
No. i	Knob		2
No. j	Drawer slides	D350	1
No. k	Screw 4×30mm	M4 × 30	12
No. l	Iron frame	107 × 71.4 × 49 cm	1
No. m	Screw 6×19mm	M6 × 19	2
No. n	CAT14 Scratcher	222 × 455 × 50	1



- No. a
- No. b
- No. c
- No. d
- No. e
- No. f
- No. g
- No. h
- No. i
- No. j
- No. k
- No. l
- No. m
- No. n

Advice:
 Do not sit or stand on this product.
 It is intended for pets only.
 This product should be assembled by
 an adult.

