



Ax2



Bx2



Cx4



Dx4



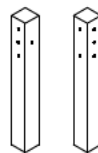
Ex26



Fx6



Gx2



Hx2



Ix2



Jx2



Kx2



Lx1



Mx5  
M6x $\frac{135}{5.3}$



Nx12  
M6x $\frac{85}{3.3}$



Ox4  
M6x $\frac{60}{2.4}$



Px6  
M7x $\frac{60}{2.4}$



Qx136



Rx1



Sx30



Tx10



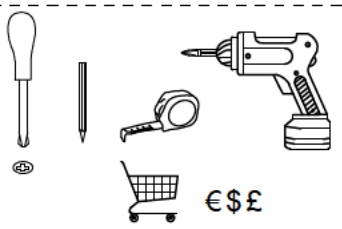
Ux10



Vx16



Wx10

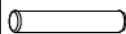


mm  
inch

x2

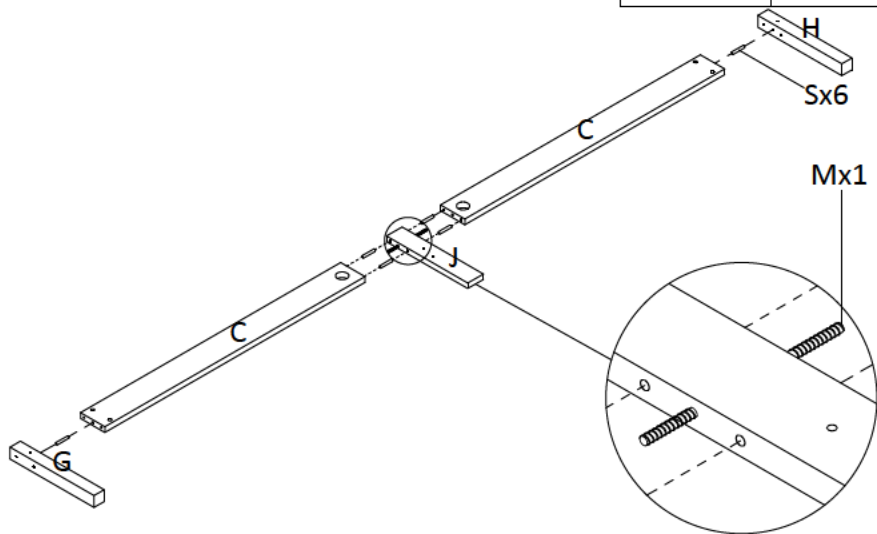
① x2

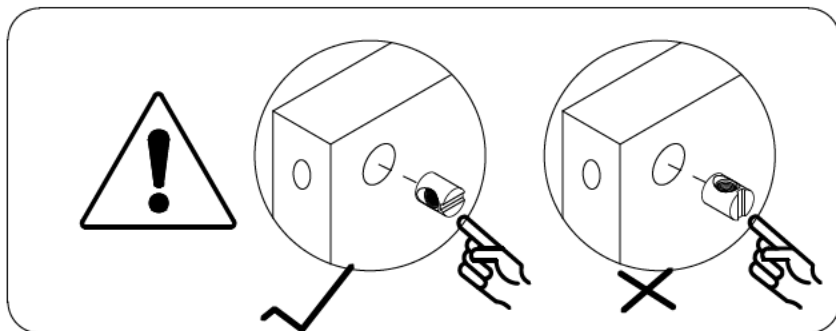
Sx12



Mx2

M6x $\frac{135}{5.3}$





② x2

Vx8



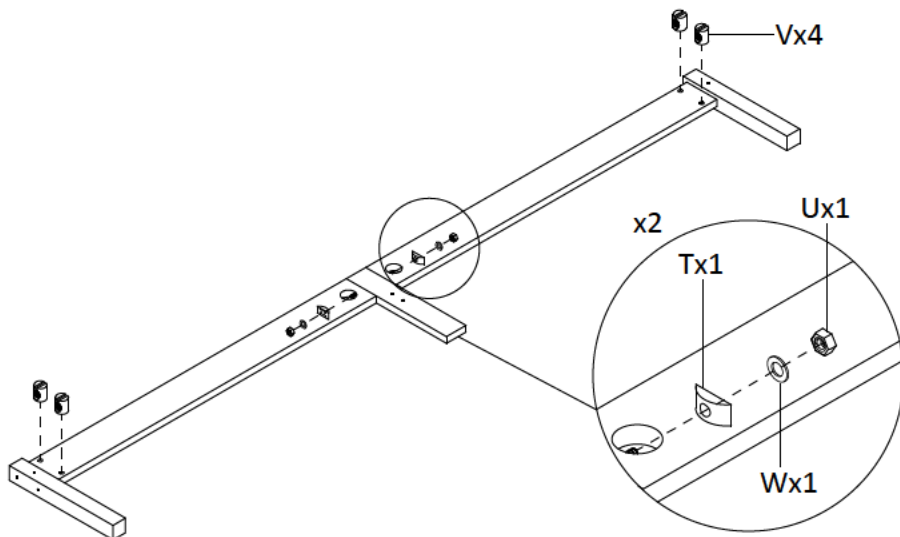
Tx4

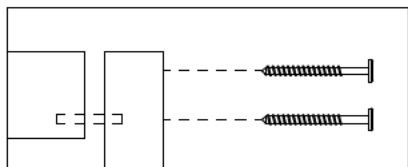


Ux4

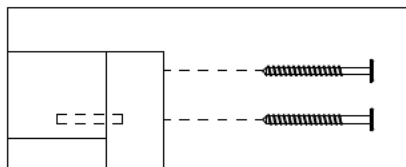


Wx4





X



③ x2

x2

Rx1

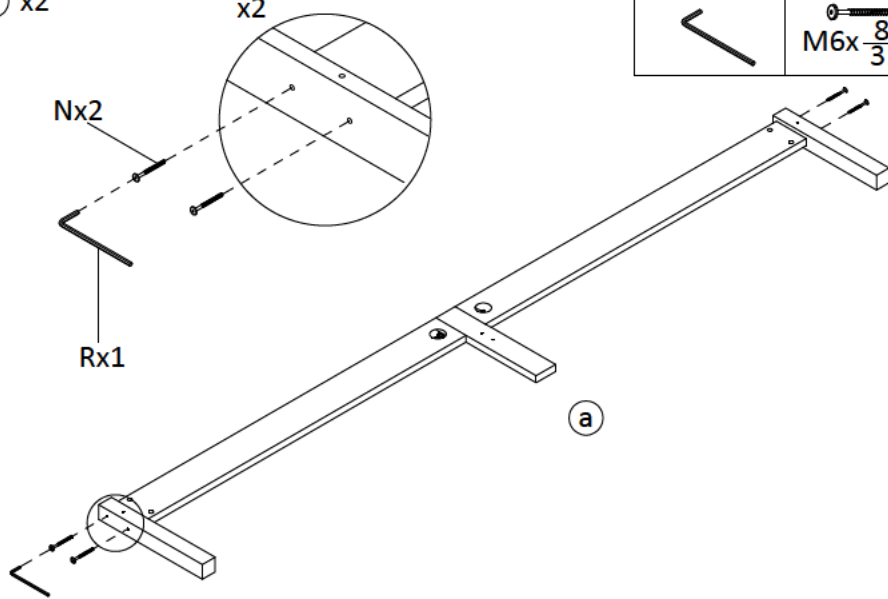
Nx8

M6x  $\frac{85}{3.3}$

Nx2

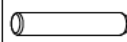
Rx1

a



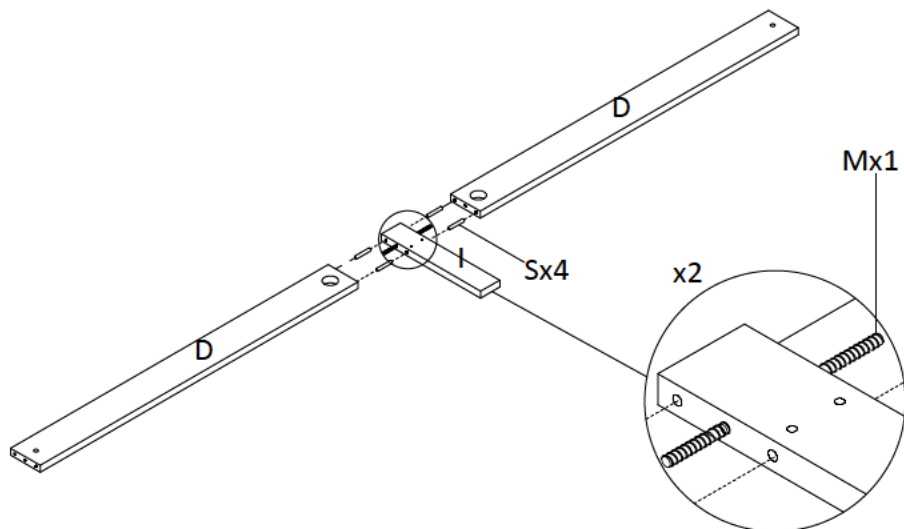
④ x2

Sx8



Mx2

M6x  $\frac{135}{5.3}$



⑤ x2

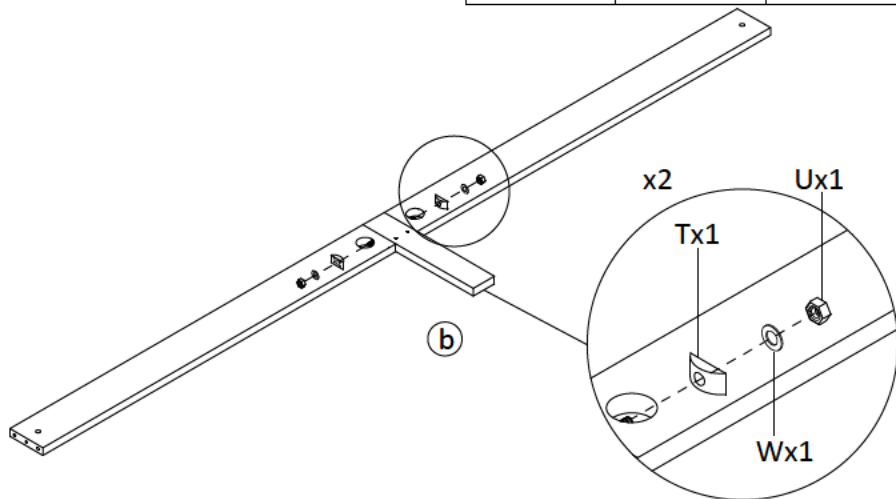
Tx4



Ux4

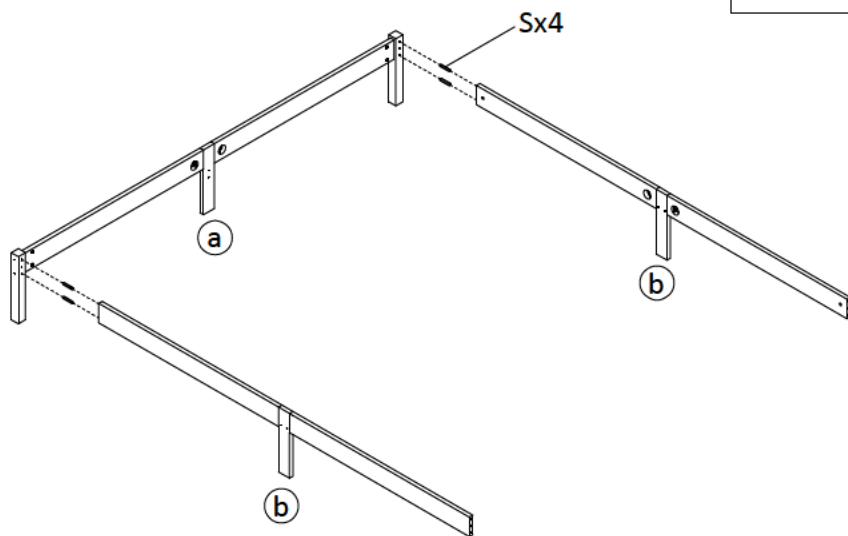
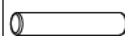


Wx4



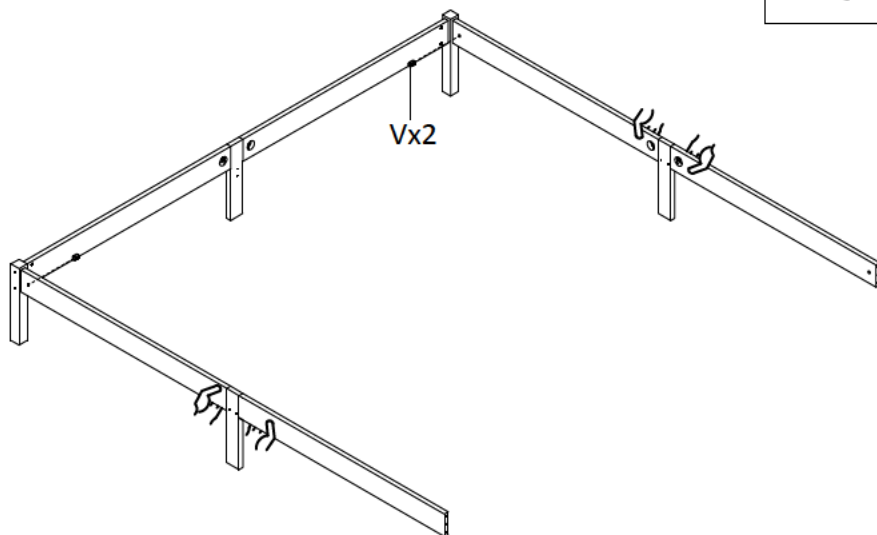
6

Sx4



7

Vx2

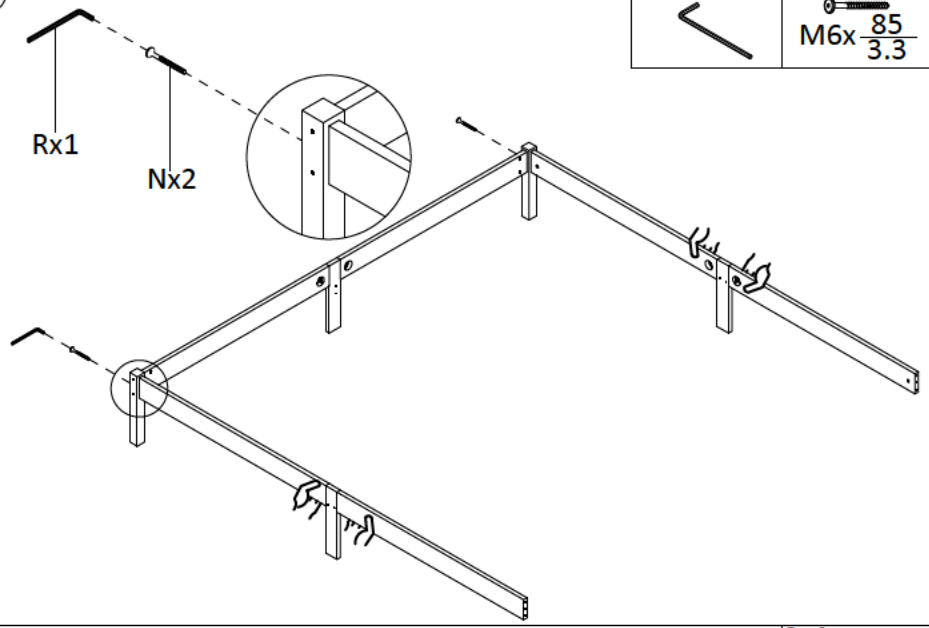


8

Rx1

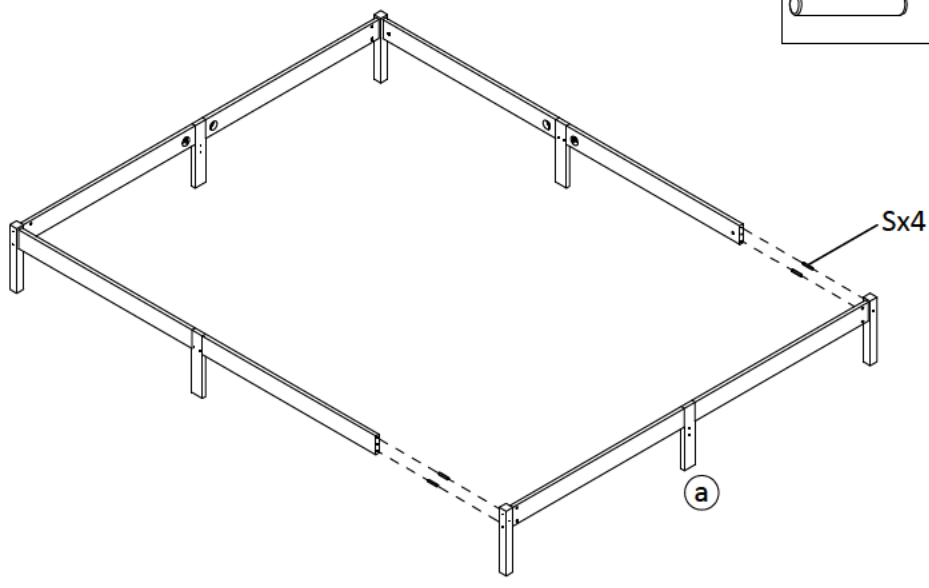
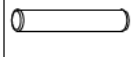
Nx2

M6x  $\frac{85}{3.3}$



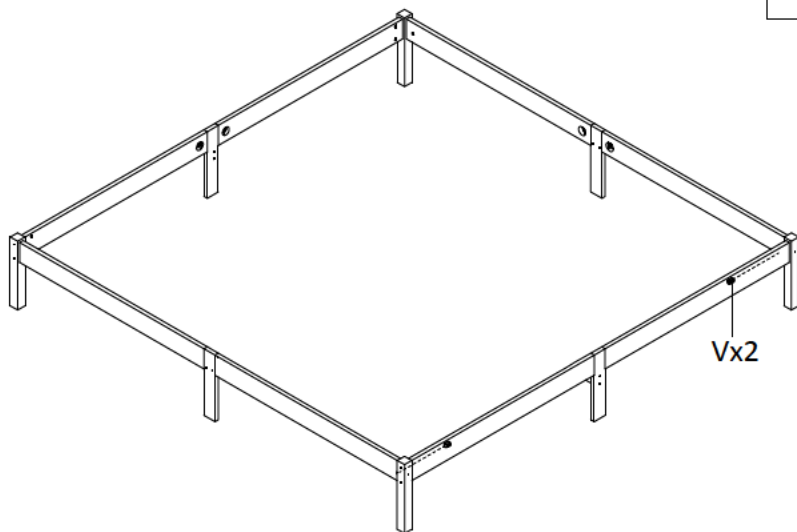
9

Sx4



10

Vx2

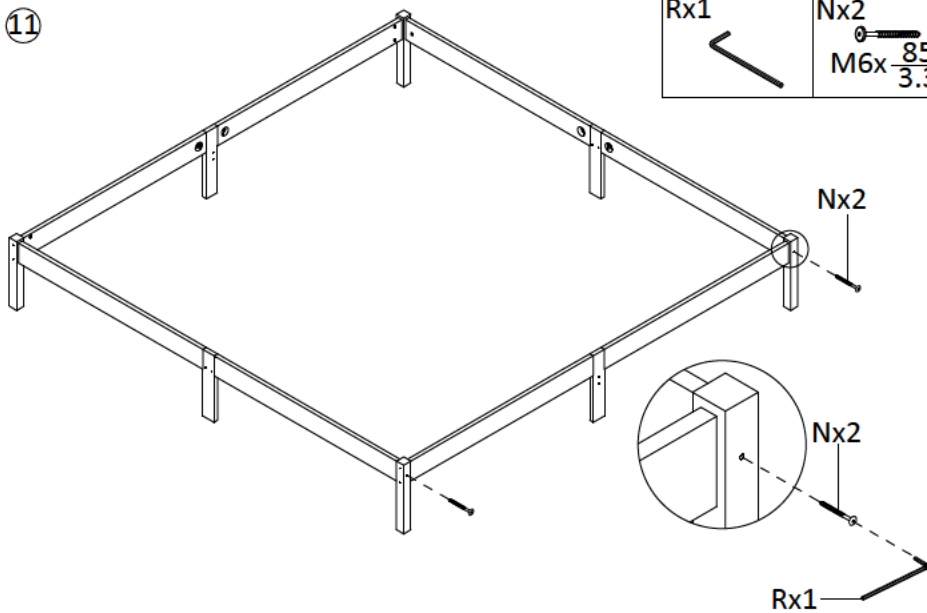
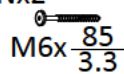


11

Rx1

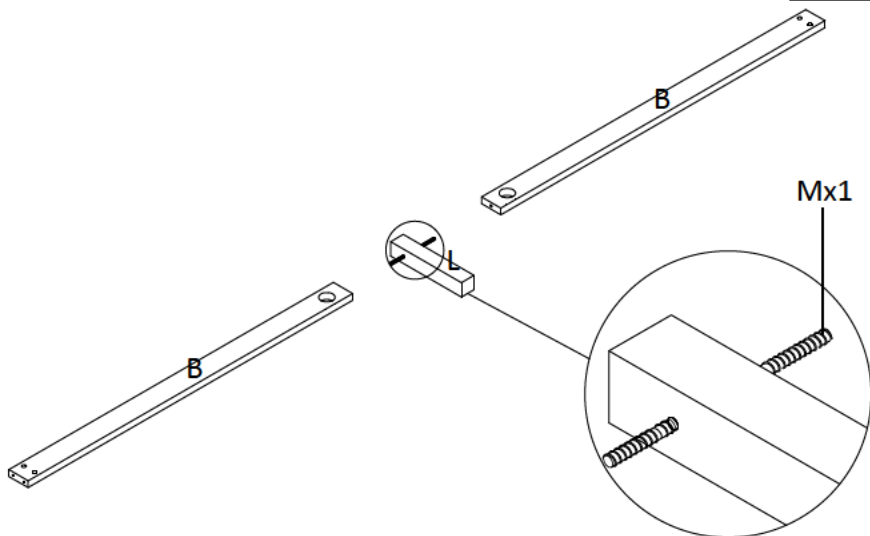


Nx2



12

Mx1  
M6x  $\frac{135}{5.3}$

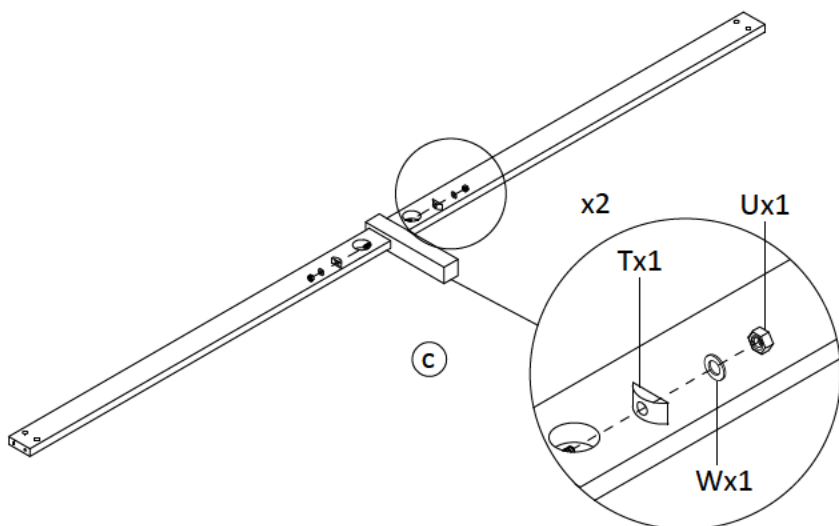


13

Tx2

Ux2

Wx2

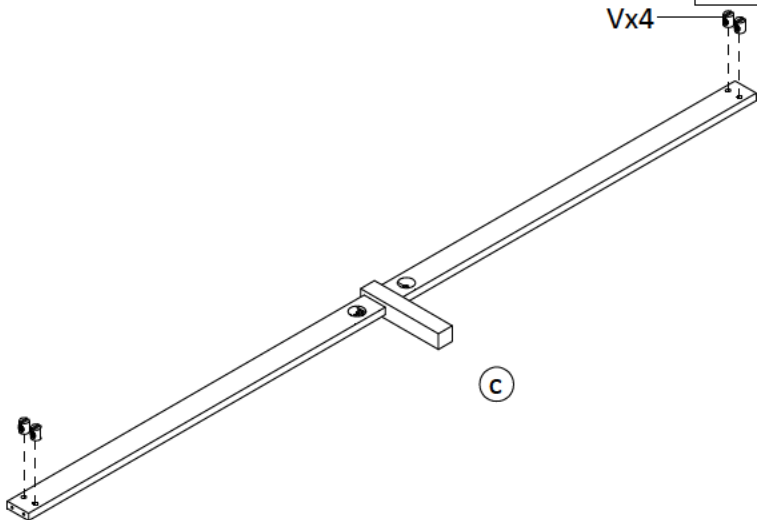


14

Vx4



Vx4



c

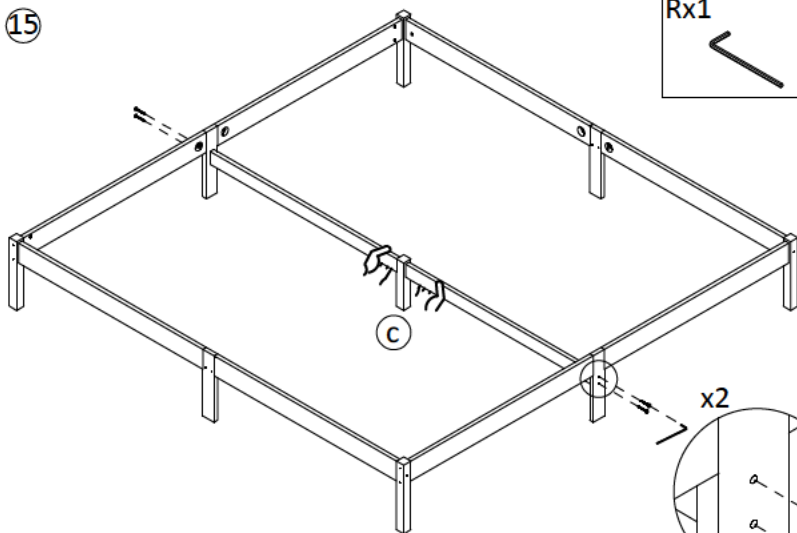
15

Rx1



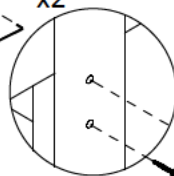
Ox4

M6x  $\frac{60}{2.4}$



c

x2

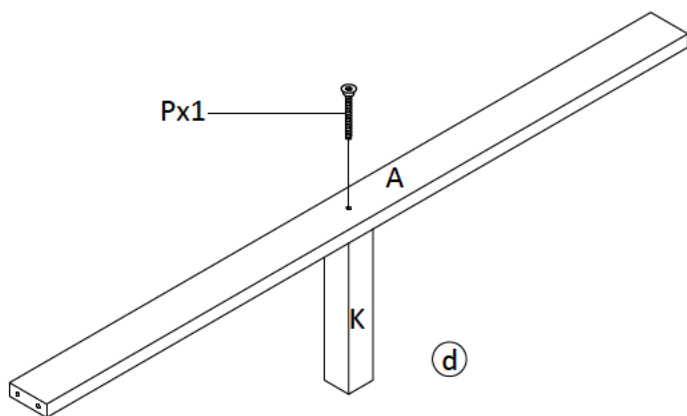


Ox2

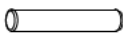
Rx1

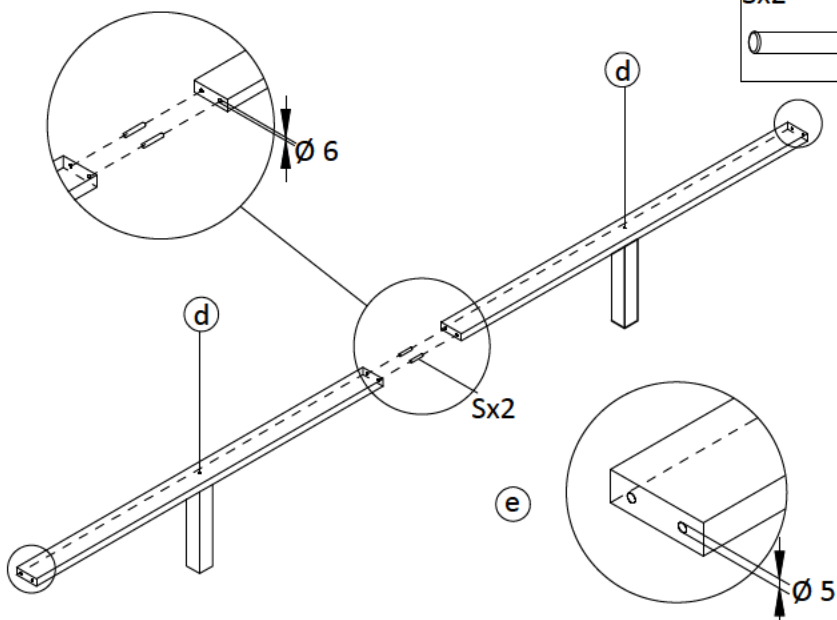
16 x2

Px2  
M7x  $\frac{60}{2.4}$



17

Sx2  




18

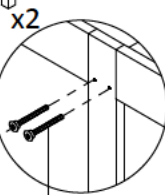
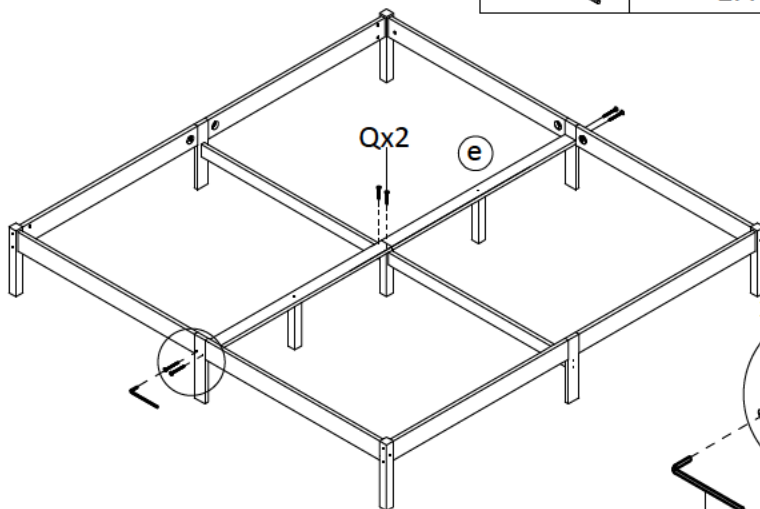
Rx1



Px4

M7x  $\frac{60}{2.4}$

Qx2



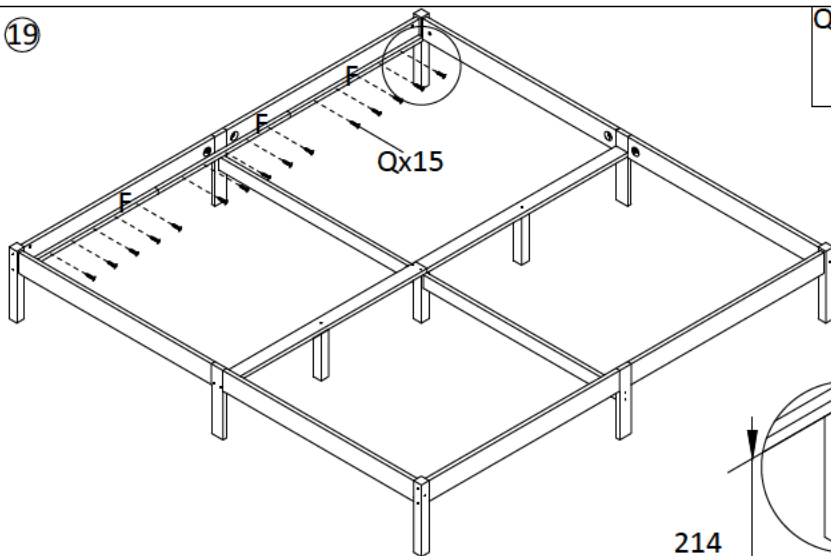
Px2



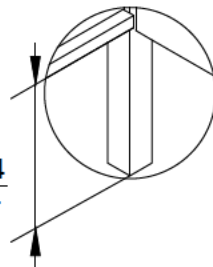
Rx1

19

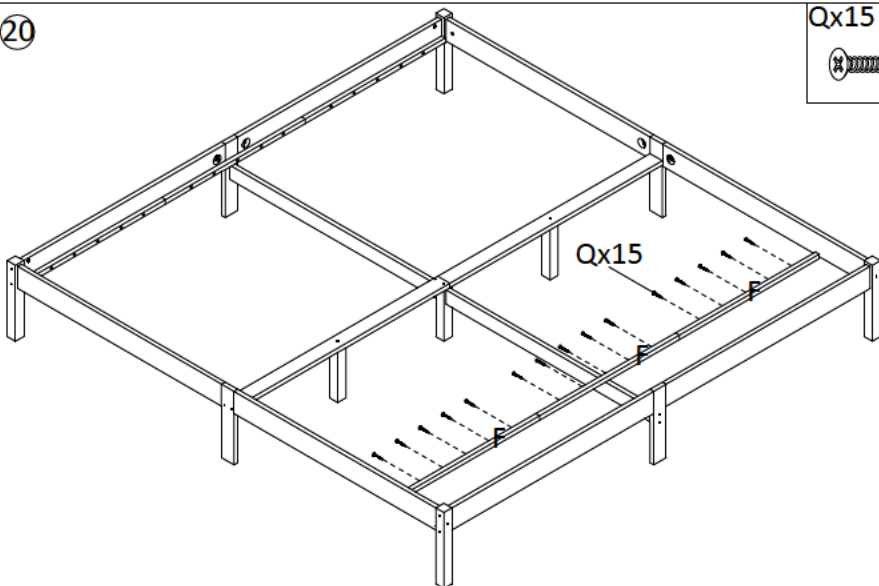
Qx15



$\frac{214}{8.4}$



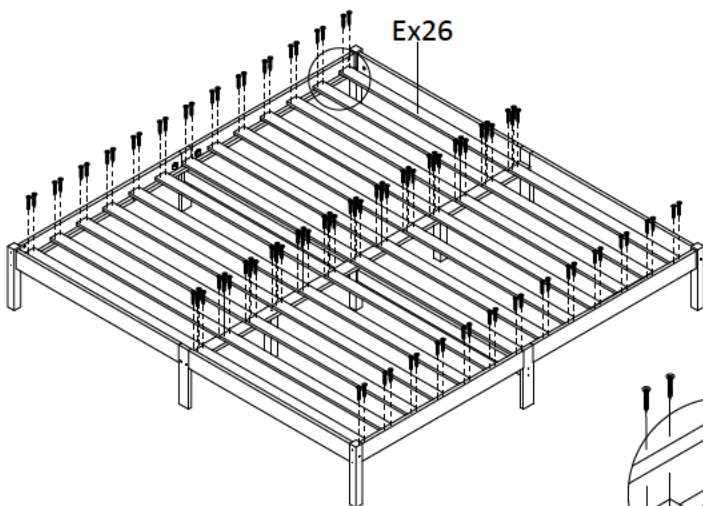
20



Qx15



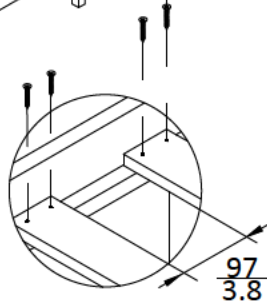
21



Qx104



Qx104



97  
3.8

22

