

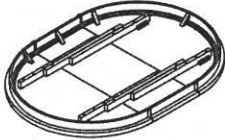
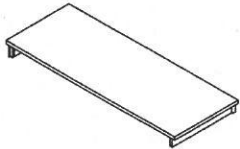
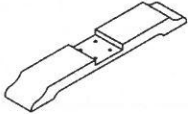
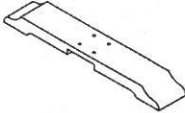
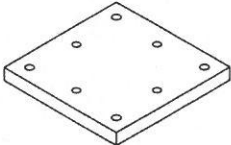
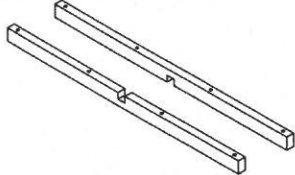
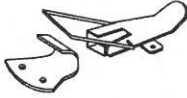
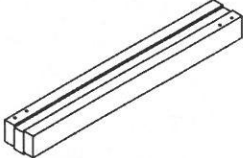
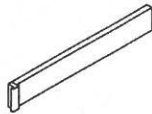
**IMPORTANT NOTICE:**  
Storing and opening the leaf  
requires 2 people.

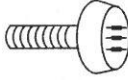
# ASSEMBLY INSTRUCTIONS

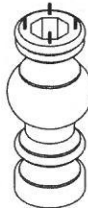
Thank you for purchasing this quality product. Be sure to check all packaging materials carefully for small parts that may have come loose inside the carton during shipment.

**Reminders**




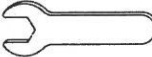





1. Use only the hardware supplied.
2. Do not over-tighten bolts.
3. This item may require periodic tightening.

COMPONENTS LIST		QTY
A	Table Top 	1pc
B	Table Leaf 	1pc
C	Table Leg 	1pc
		1pc
D	Mounting Plate 	1pc
E	Bottom Rail 	2pcs
F	Clamp Lock 	4pcs
G	Glides 	2pcs
H	Apron Leaf 	2pcs

I	Adjustable Leveler 	4pcs
---	---	------

COMPONENTS LIST		QTY
J	Post 	1pc

**Hardware List :**

NO	DESCRIPTION	SIZE	FIGURE	QTY
1	Flat Washer	Ø5/16"x 19mm		12pcs
2	Spring Washer	Ø5/16"x 12mm		16pcs
3	Hex- Nut	Ø5/16"x 12mm		4pcs
4	Wrench	Ø5/16"x 12mm		1pc
5	Short Bolt	Ø1/4"x75mm		4pcs
6	Small Flat Washer	Ø1/4"x 12mm		4pcs
7	Allen Key	58x 23x 4mm		1pc
8	Long Bolt	Ø1/4"x 90mm		4pcs
9	Long Bolt	Ø5/16"x 105mm		4pcs

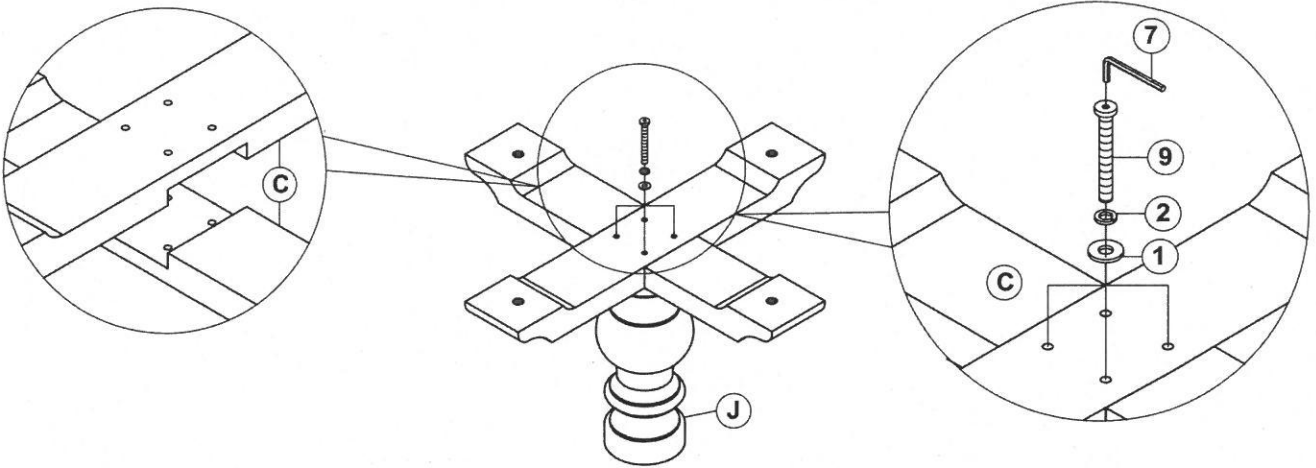
**IMPORTANT NOTE:**

- Please keep all hardware parts out of the reach of children.
- Two or more people are needed for assembly.

# ASSEMBLY INSTRUCTIONS

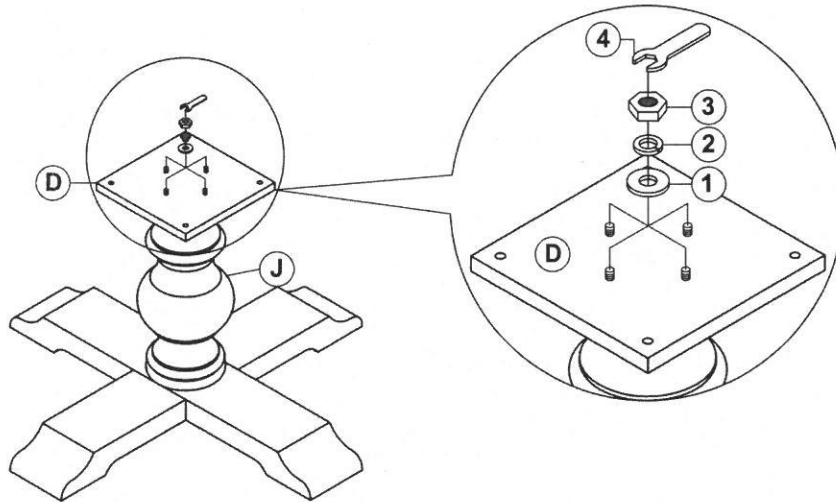
## STEP 1:

Attach Table Leg (C) to the Post (J), using flat washers (1), spring washers (2), long bolt (9) tighten with Allen Key (7).



## STEP 2:

Attach Mounting Plate (D) to the Post (J), using flat washers (1), spring washers (2), hex-nut (3) tighten with wrench (4).

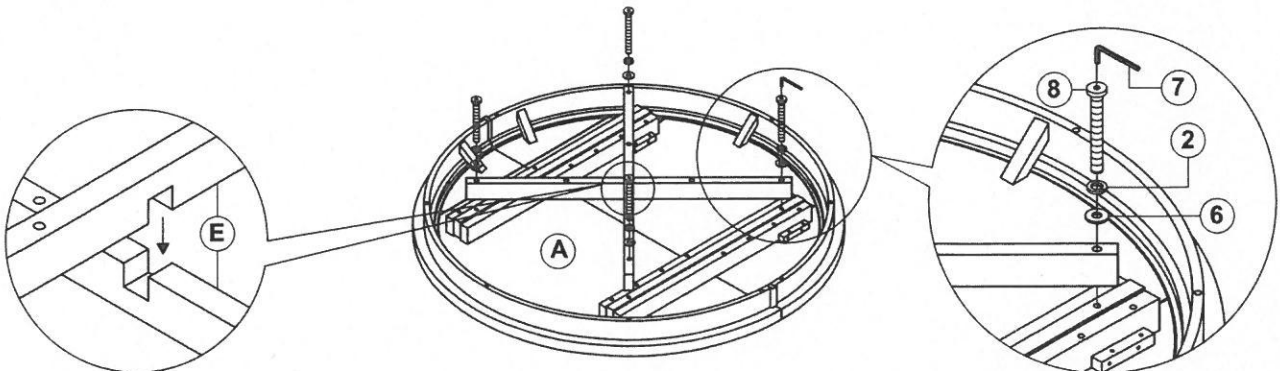


## STEP 3:

Please take off the leaf and lock the table before assembly.

Place table top (A) upside down on a smooth and flat surface.

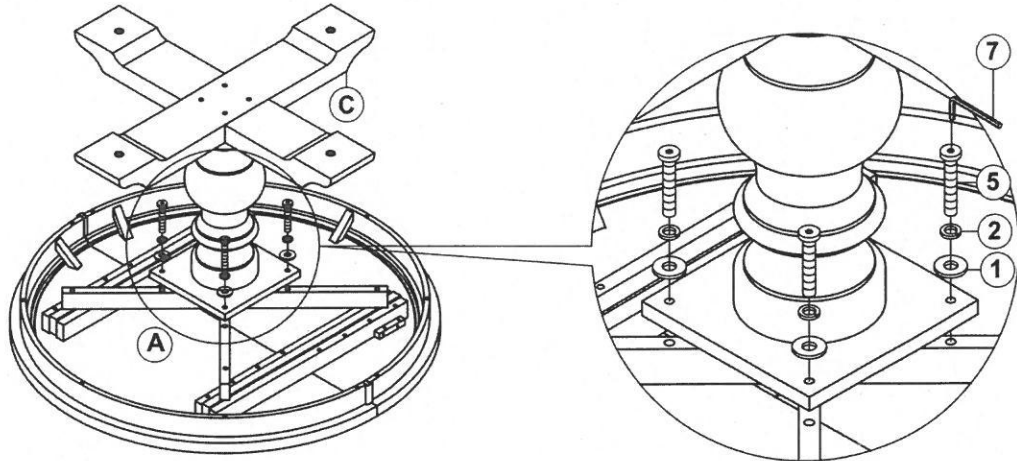
Attach Bottom Rail (E) to the Table Top (A), using small flat washers (6), spring washers (2), long bolt (8) tighten with allen key (7).



# ASSEMBLY INSTRUCTIONS

## STEP 4:

Attach Mounting Plate (D) to the Bottom Rail (E), using flat washers (1), spring washers (2), short bolt (5) tighten with allen key (7).



## STEP 5:

- Turn the table to upright position. open the latches underneath of table top (A). pull from both ends of table top (A).
- Turn the table to the upright position. Unlock the latch underneath of the Table Top (A).
- Pull the table top from both ends, place the Table Leaf (B) in position. Lock the latch underneath of the Table Top (A) to prevent from sliding. Assembly product is now completed.

