





# ASSEMBLY INSTRUCTIONS

MODEL# : F2422 DINING TABLE

MODEL# : F2423 COUNTER HEIGHT TABLE

**KEEP THIS DOCUMENT FOR REFERENCE IN CASE PARTS ARE NEEDED**  
**DO NOT TIGHTEN SCREWS UNTIL COMPLETELY ASSEMBLED !**

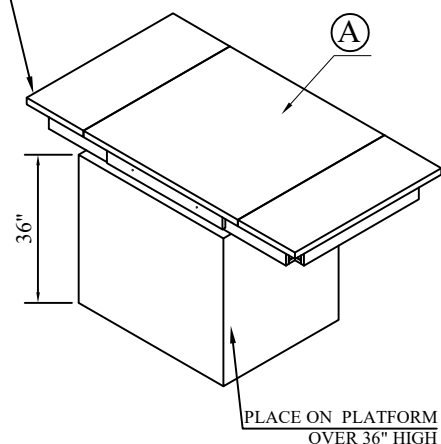
No.	DESCRIPTION	Q'TY
A	TABLE TOP	1pc
B	TABLE LEG	4pcs

No.	DESCRIPTION	Q'TY
1	BOLT  5/16"*80MM	8pcs
2	SPRING WASHER  5/16"	8pcs
3	FLAT WASHER  5/16"	8pcs
4	ALLEN KEY  M4	1pc

### STEP 1

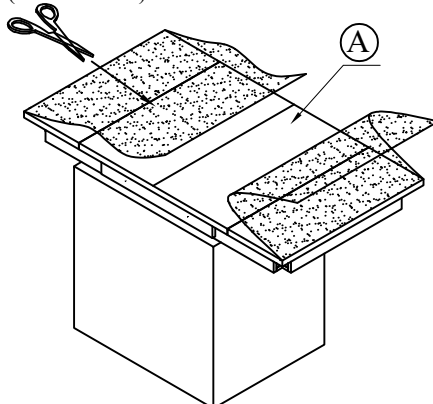
DO NOT REMOVE NYLON

Until place the table on the assembly platform

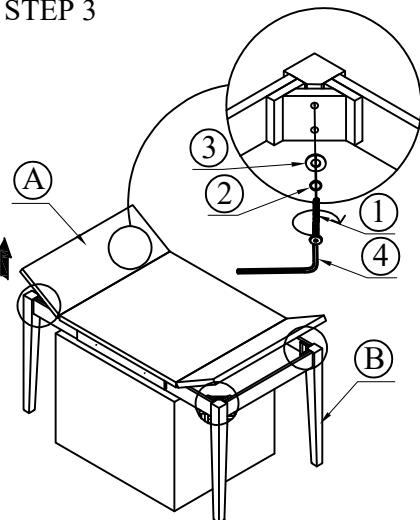


### STEP 2

CUT OFF THE PROTECTION  
(Not Included)

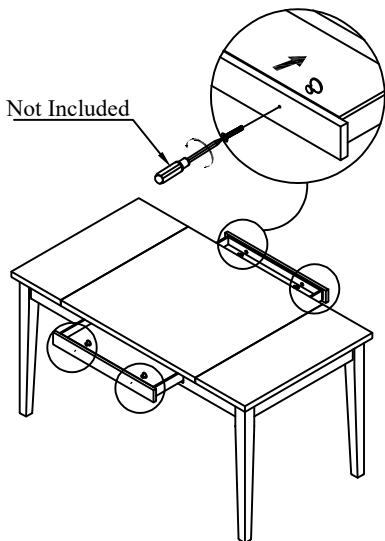


### STEP 3



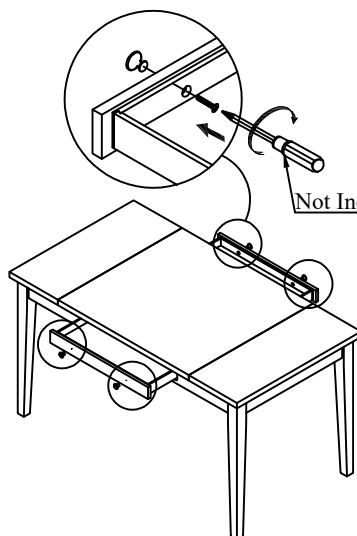
### STEP 4

Not Included



### STEP 5

Not Included



### STEP 6

