

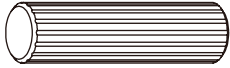

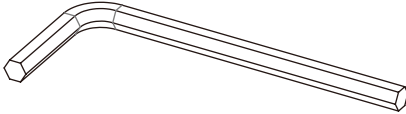

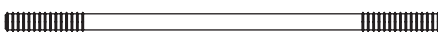
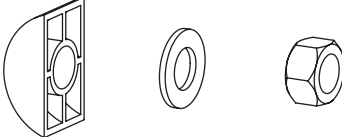
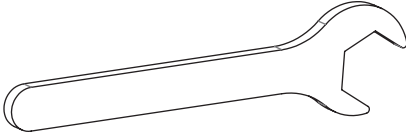
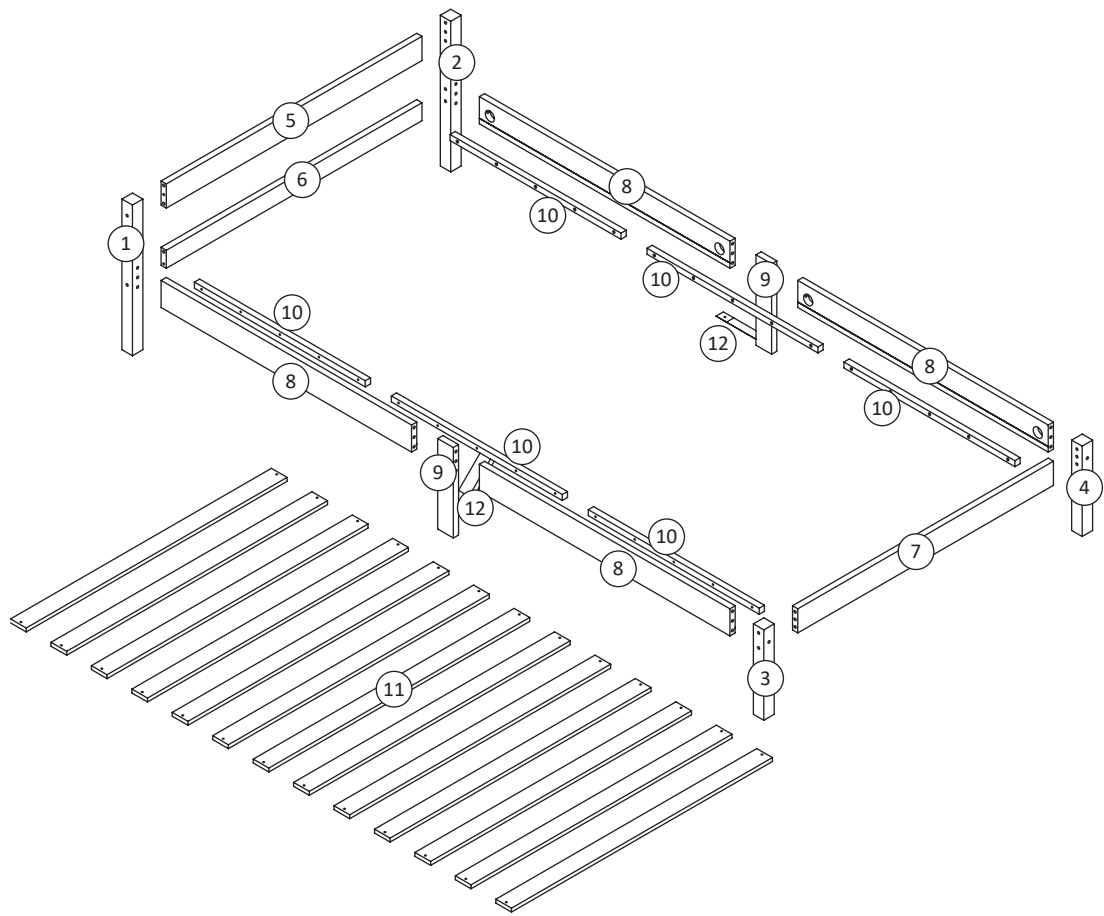




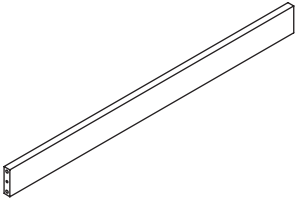
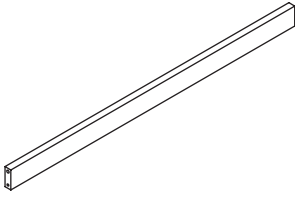
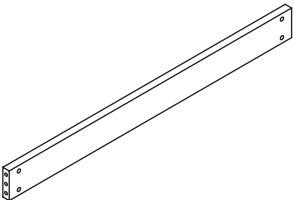
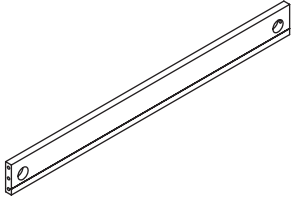

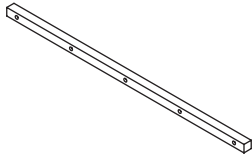
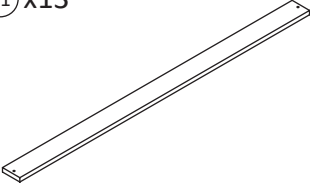
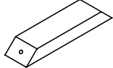
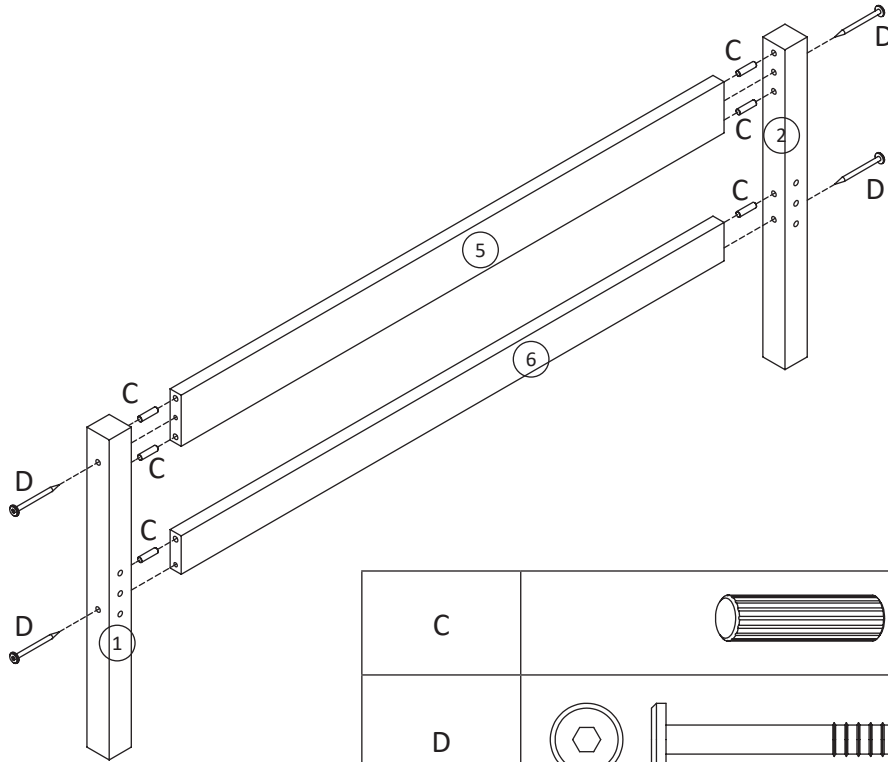



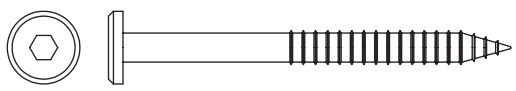
<p>Ax8</p>  <p>M6x $\frac{80}{3.15}$</p>	<p>Bx4</p> 	<p>Cx24</p>  <p>M8x $\frac{30}{1.18}$</p>
<p>Dx4</p>  <p>M6x $\frac{80}{3.15}$</p>	<p>Ex1</p> 	<p>Fx60</p>  <p>M4x $\frac{30}{1.18}$</p>
<p>Gx2</p>  <p>M6x $\frac{140}{5.51}$</p>	<p>Hx8</p> 	<p>Ix1</p> 



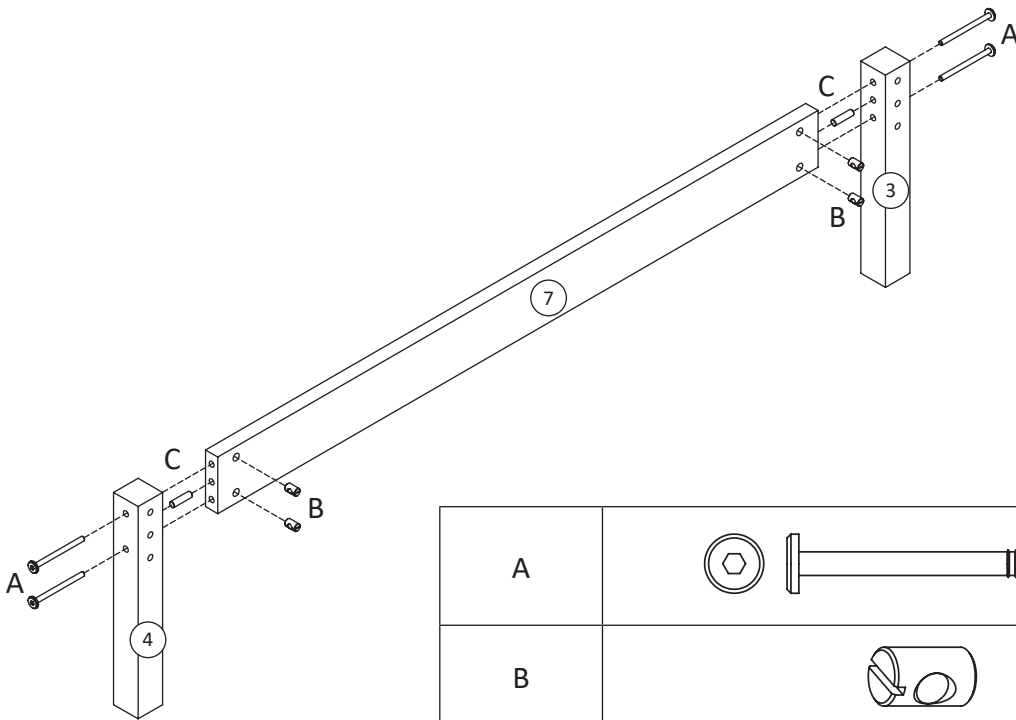
<p>① x1</p> 	<p>② x1</p> 	<p>③ x1</p> 	<p>④ x1</p> 
<p>⑤ x1</p> 	<p>⑥ x1</p> 	<p>⑦ x1</p> 	<p>⑧ x4</p> 
<p>⑨ x2</p> 	<p>⑩ x6</p> 	<p>⑪ x13</p> 	<p>⑫ x2</p> 

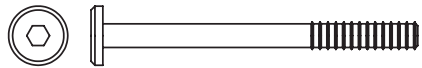


1



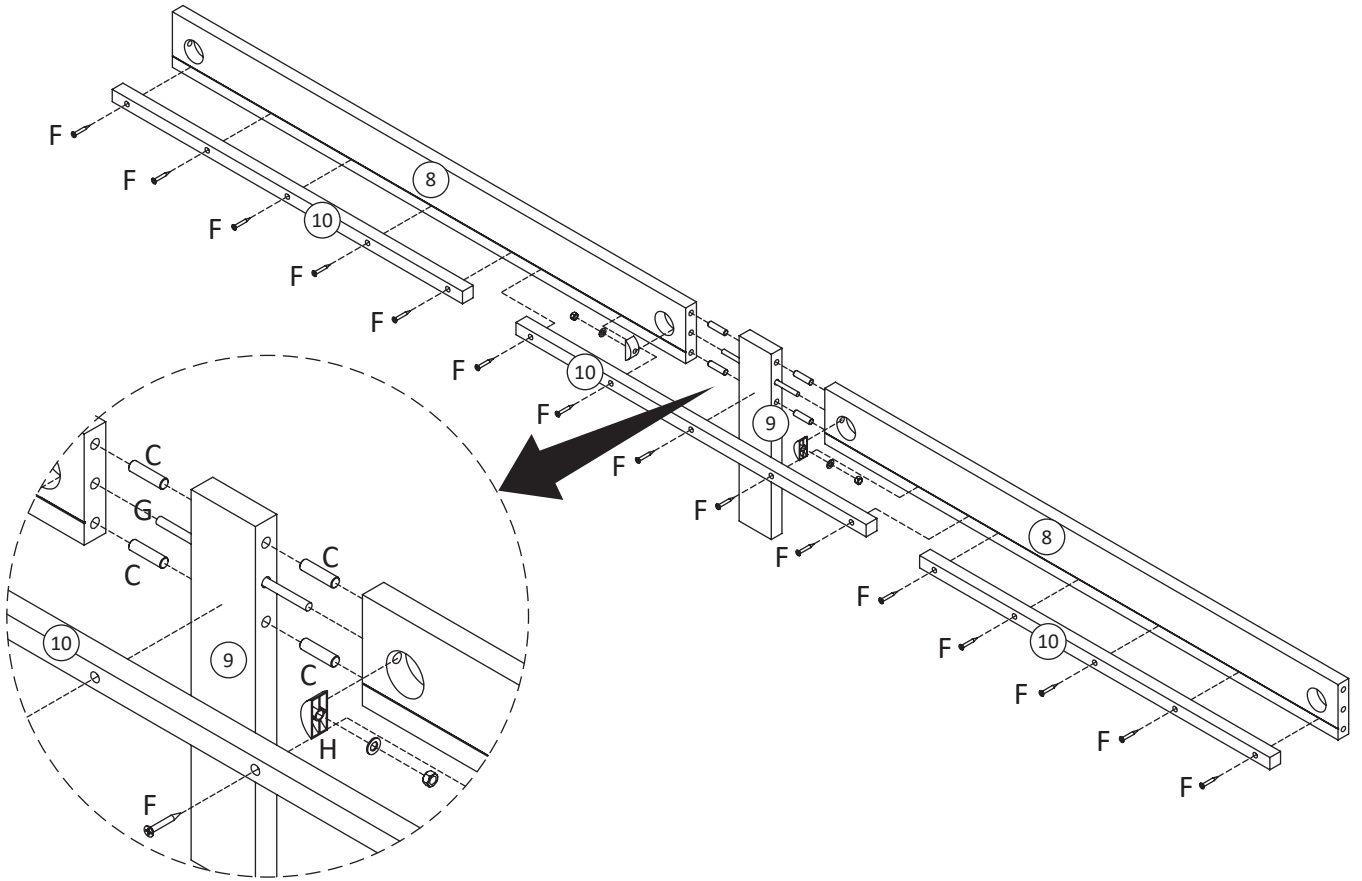
C		x6
D		x4



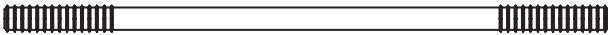

2

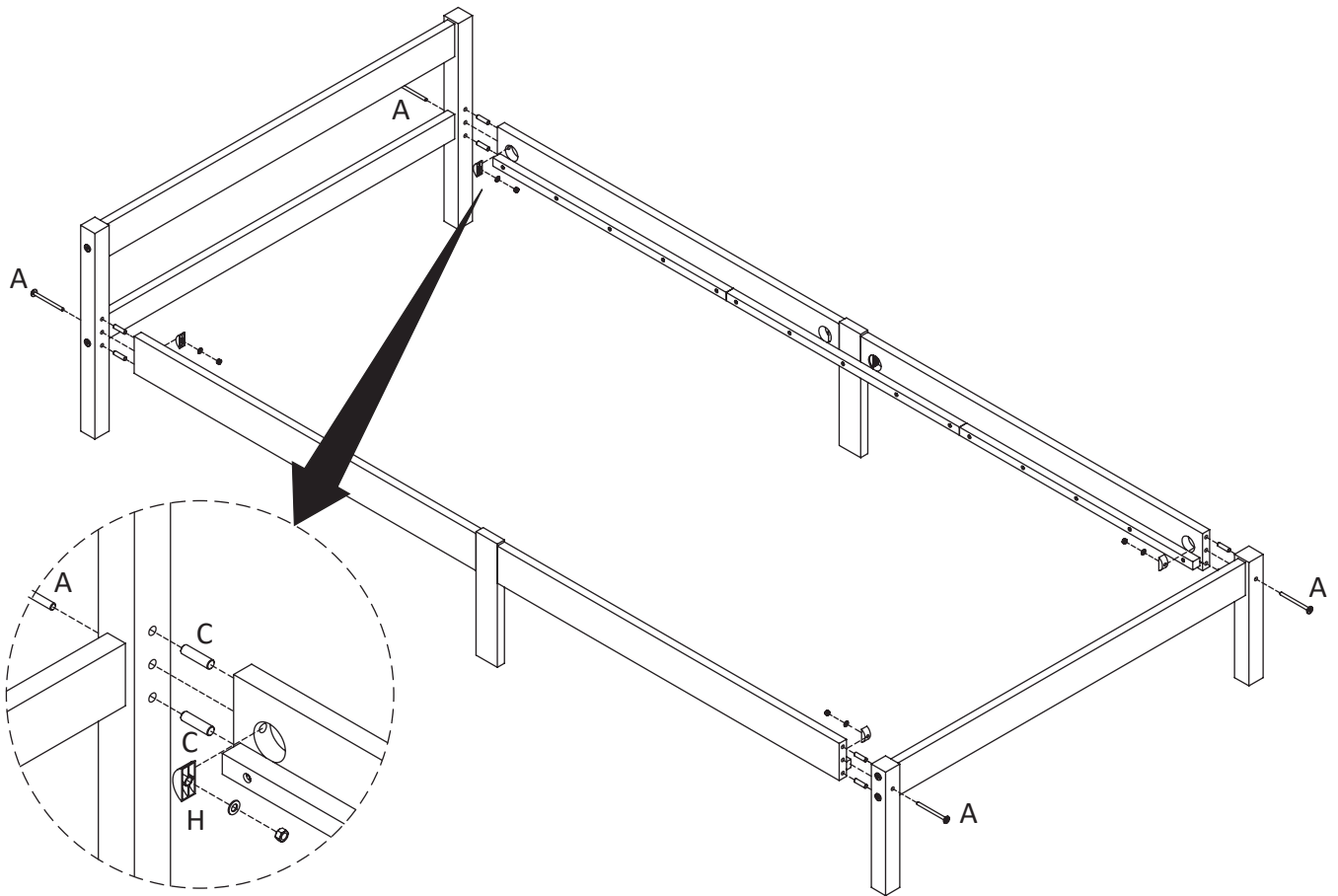


A		x4
B		x4
C		x2

3 x2

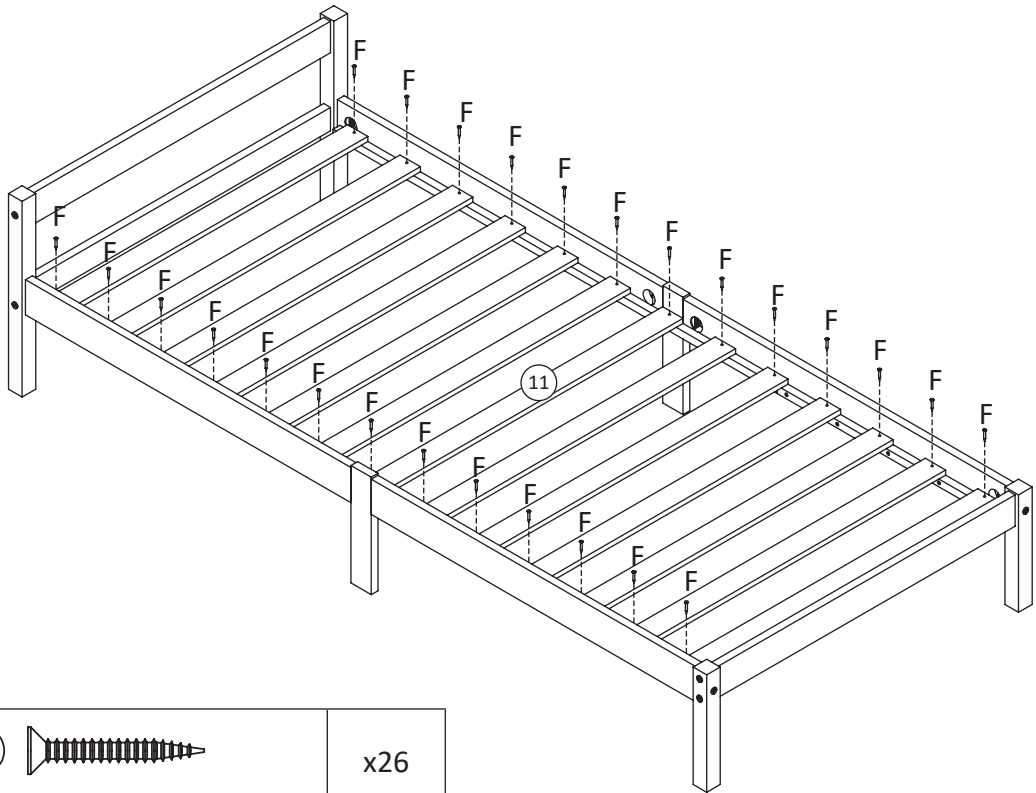




C		x8
F		x30
G		x2
H		x4



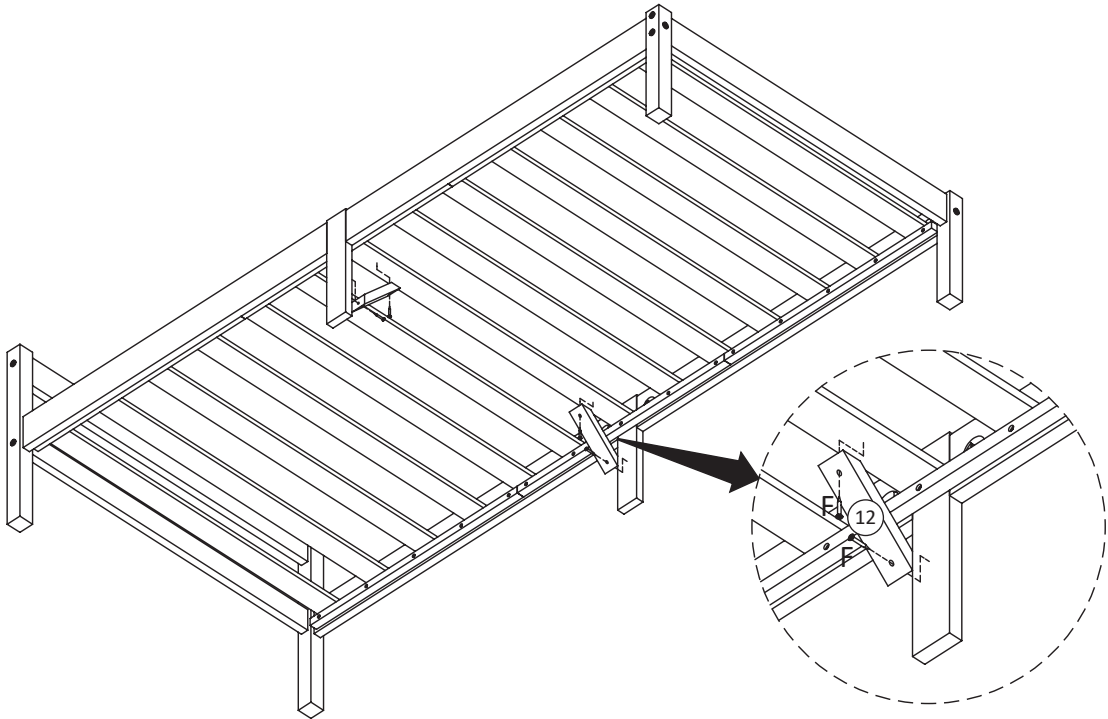
A		x4
C		x8
H		x4



5



F			x26
---	--	--	-----

6



F			x4
---	---	---	----