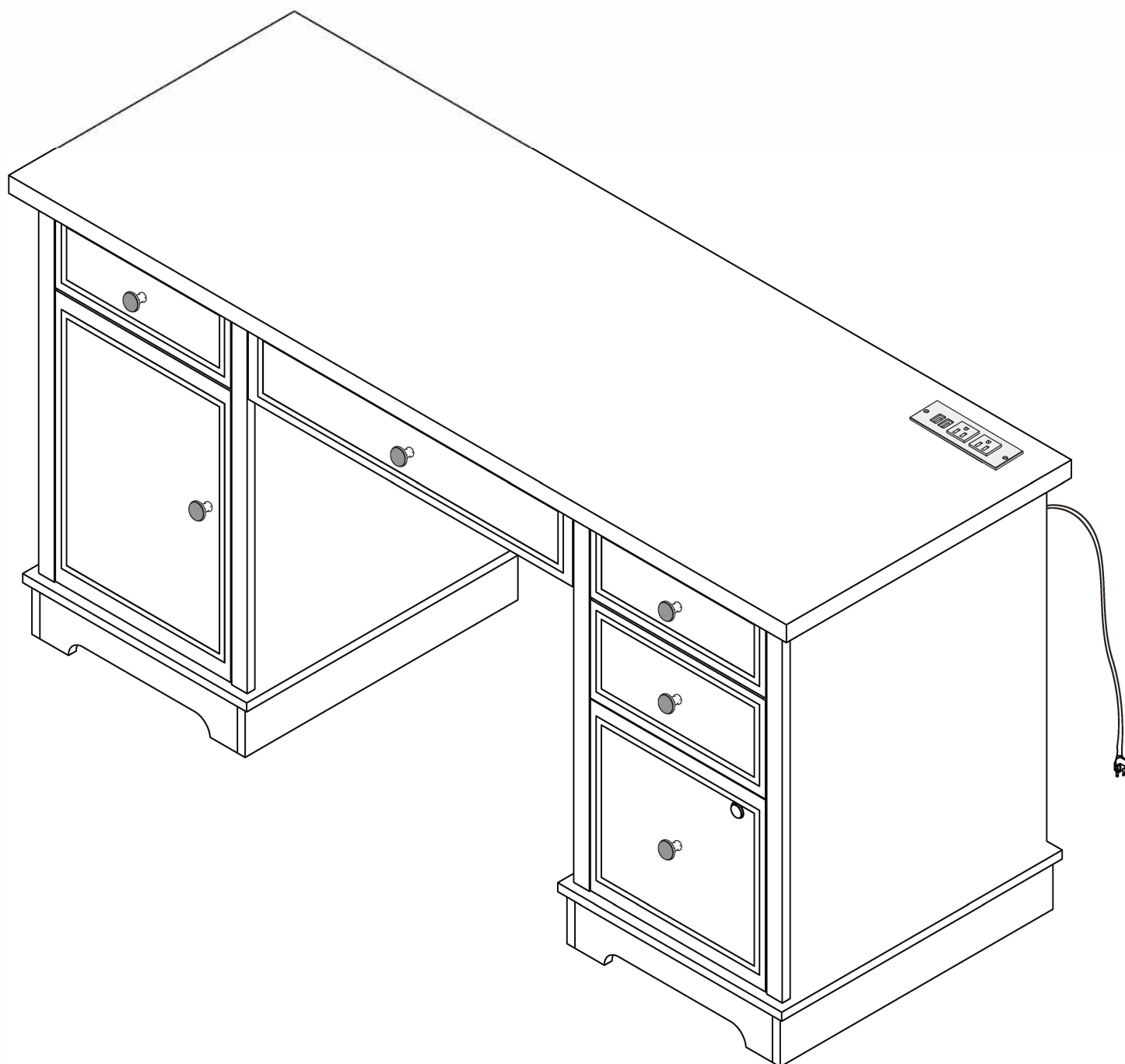


ASSEMBLY INSTRUCTIONS

Computer desk



Thank you for purchasing our product!

Please refer and use this assembly instruction to assemble the product.

Contact our customer service department in case there are any missing or damaged parts or hardware. Please also tell us your "Order ID", We will solve for you as soon as possible.

ASSEMBLY PREPARATION:

1. Remove all packaging materials, staples and packing straps from the carton.
2. Refer to Parts List and Hardware List and ensure they are correct before assembly. Contact customer service for missing parts.
3. Place all wooden parts on a clean, flat and soft surface (e.g. carpet or rug) to prevent parts from getting scratched.

SAFETY PRECAUTION:

1. Keep all hardware parts out of reach of children.
2. Dispose plastic packaging material immediately to avoid any risk of suffocation to children and animals..

TIPS FOR ASSEMBLY:

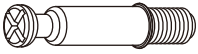




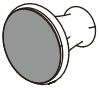

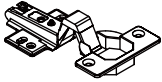
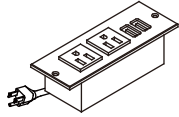




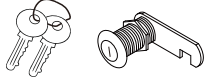

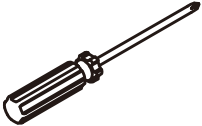
1. Allow ample room for assembly and in close proximity to where product will be placed.
2. Assemble the product on a surface that does not scratch or damage the exterior gloss and finish of the furniture.
3. Identify all of the parts, hardware and quantities required for each step.
4. During assembly, do not over-tighten any fittings as this may cause damage.
5. DO NOT USE POWER TOOLS TO ASSEMBLE THIS PRODUCT.
6. Always place the product on a flat, level surface.
7. Do not sit or stand on the partially assembled product; only use the product for which it is intended.

CARE AND MAINTENANCE:

- Use a slightly damp cloth to clean the product. Do not use bleach or abrasive cleaning material.
- Check all the fittings periodically and re-tighten as necessary. Do not use the product if any of the parts is damaged or broken.
- Never allow any kind of liquid to remain on your furniture. Absorption can cause wood to warp or delaminate.
- Do not place hot items (e.g. hot drinks) directly onto the wood surface.

Hardware List

Please check if all the pieces listed below are received

A X86  Cam bolt M6X40mm	B X86  Cam lock M15X12mm	C X20  Screw M5X40mm	D X8  Drawer slide 12 inches	E X58  Screw M3X12mm
F X6  Drawer handle	G X6  Screw M4X16mm	H X2  Hinge	J X1  Power strip	K X4  Shelf support
L X8  Plastic wedge	M X8  Screw M3X15mm	N X6  Screw M4X25mm	P X1  Locks and keys	Q X2  Drawer slide 18 inches
R X1  Screwdriver				

**ASSEMBLY
REQUIREMENTS**

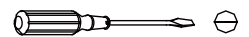
3 Hours
Assembly Time
(Approximate)

2 -Person Assembly

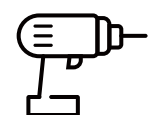


Tools Required (Not Provided):

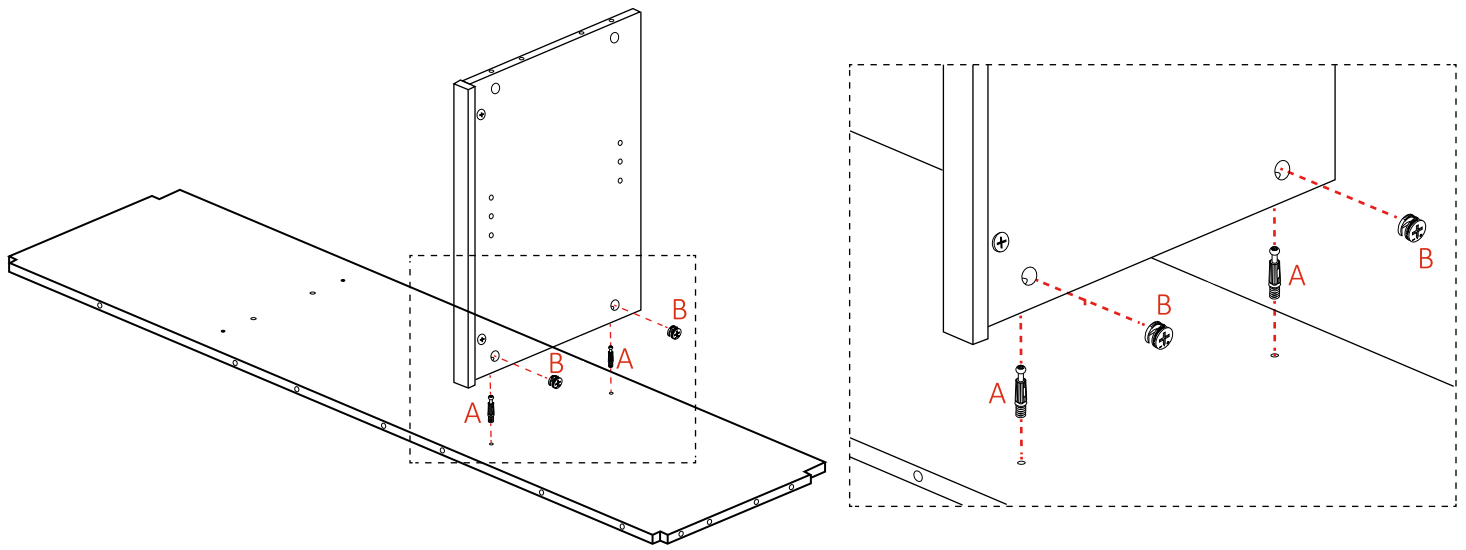
Flat Head Screwdriver



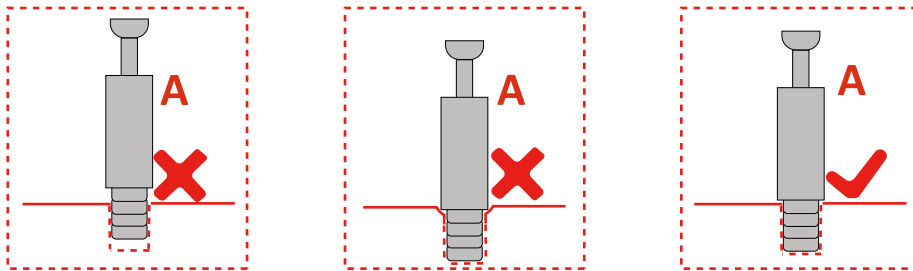
Power Drill



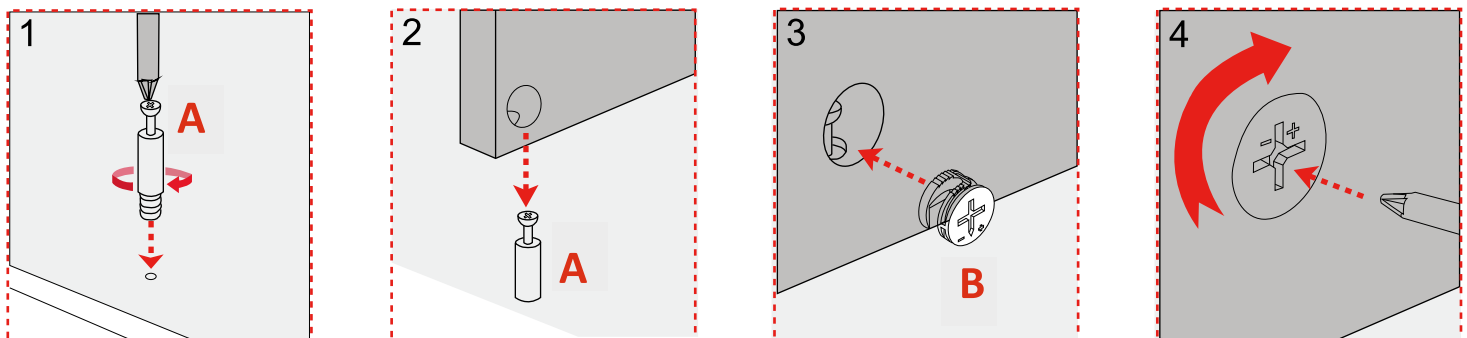
HOW the knock down assembly system work



CAM LOCK SYSTEM OPERATION



1. Screw the cam bolt [A] into the threaded insert on the panel.
2. Connect both panels together making sure cam bolt [A] goes into the pre-drilled large hole on the end of panel for cam lock [B].
3. Insert the cam lock [B] into the pre-drilled large hole on the panel. Make sure the cross slot of cam lock [B] faces out (The arrow should point towards Screw No. A).
4. Rotate the cam lock [B] clockwise with a self-supplied phillips screwdriver to lock the cam bolt [A] in place (Rotate 100-180 degrees until tight).

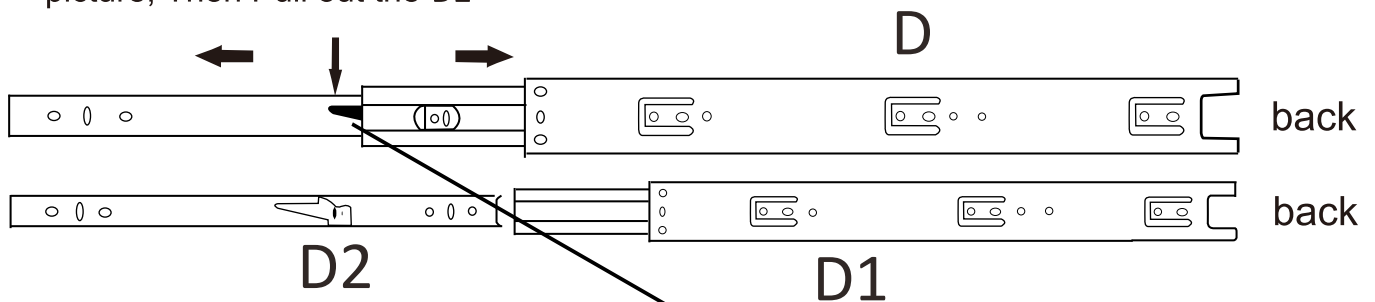




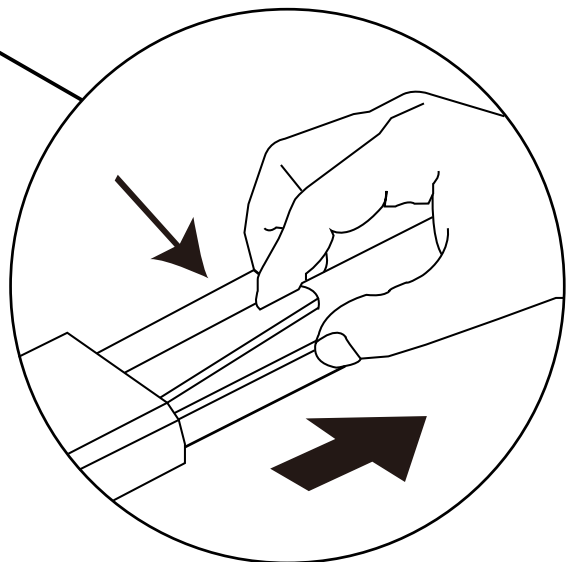
Hardware installation demonstration

- Before installing the drawer rails, you need to split rail No. D into outer rail No. D1 and inner rail No. D2

1. Place the rail No. D as shown in picture, Then Pull out the D2



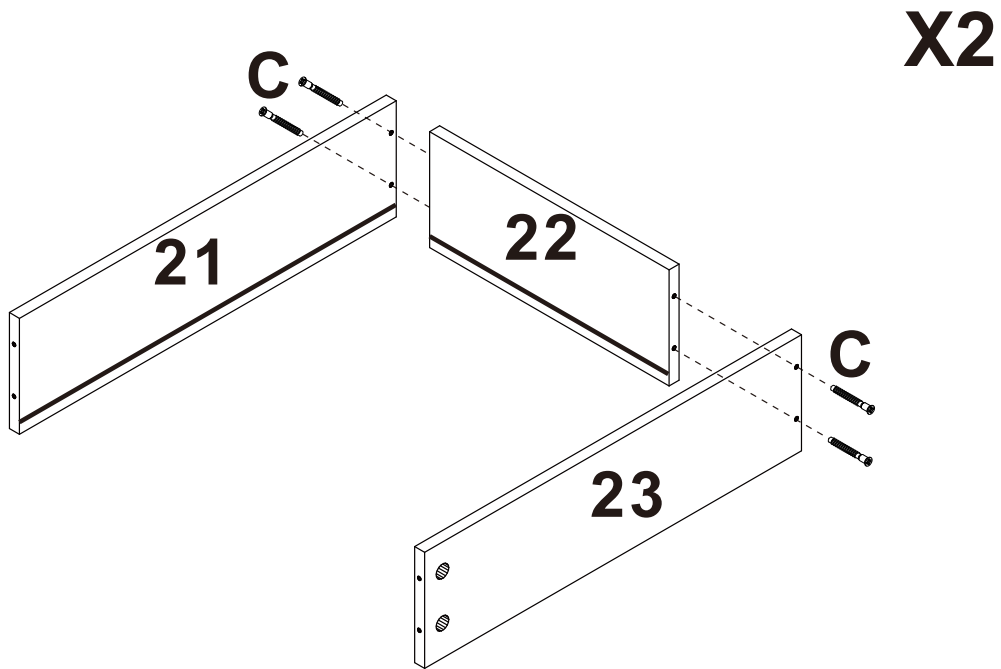
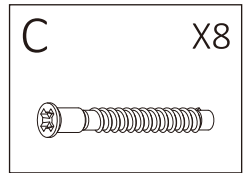
2. Find the latch position, press it and split.



Warm Reminder: Press it and split

Step 1

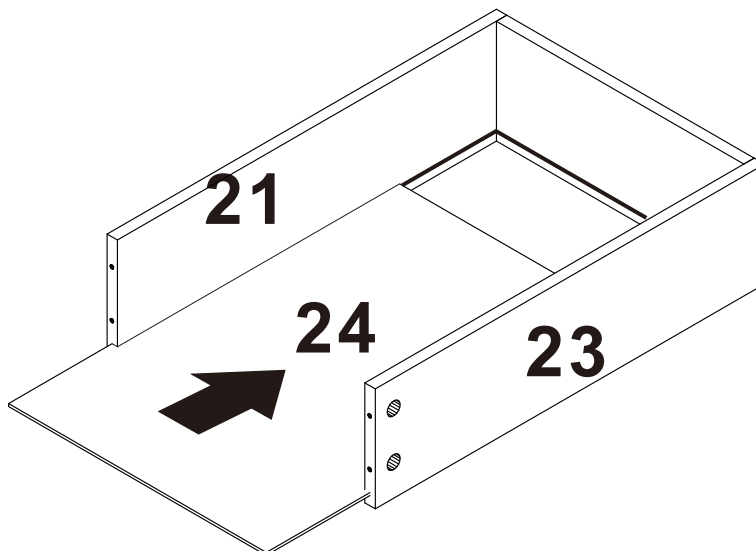
I. Use screws (C) to attach panels (21 and 23) to panel (22).



Step 2

I. Install panel (24) as per diagram and slide them into the grooves until they are fully seated.

X2

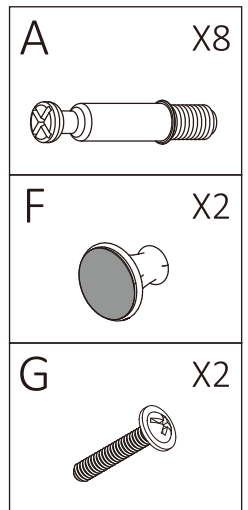
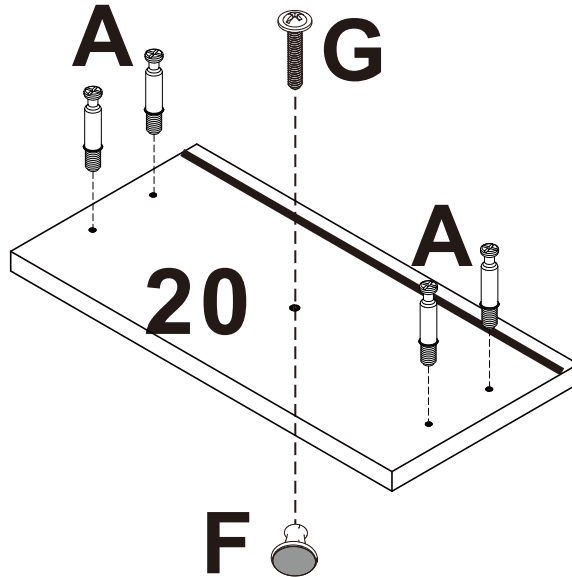


Step 3

I. As shown in the illustration, use a screwdriver to insert the cam bolt (A) into the corresponding hole on panel (20).

II. Use screws (G) to attach the drawer handle (F) to panel (20).

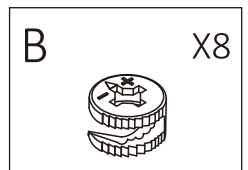
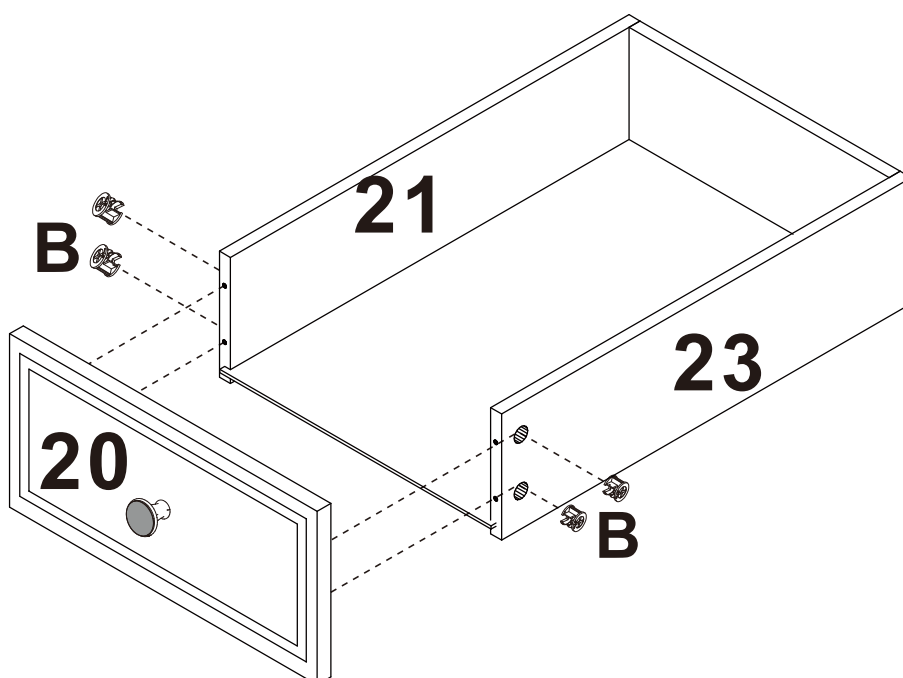
X2



Step 4

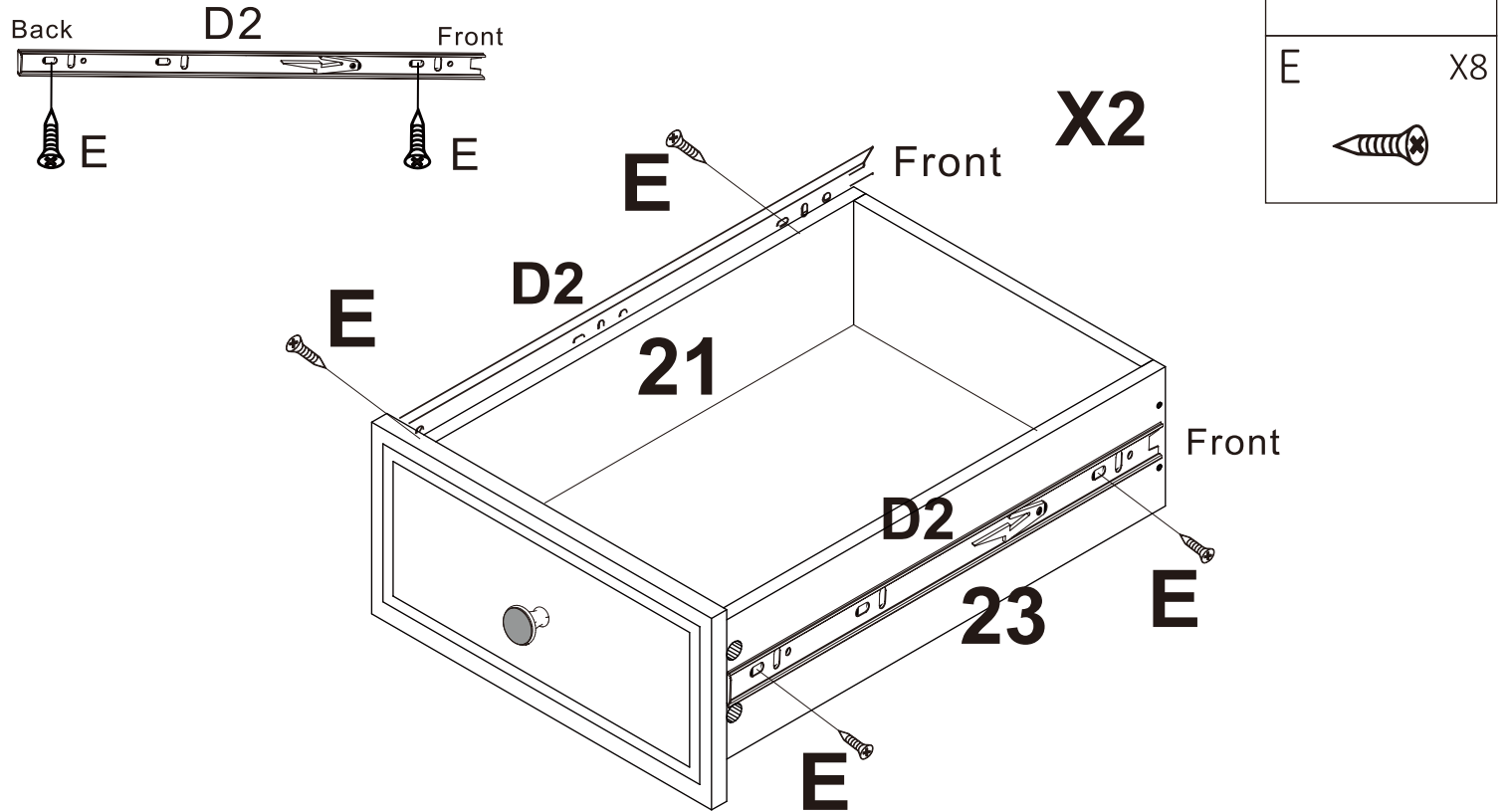
I. As shown in the illustration, connect panel (20) to panels (21 and 23), insert the cam lock (B) into the corresponding holes on panels (21 and 23), and then use a screwdriver to turn the cam lock (B) clockwise to secure the cam bolt (A).

X2



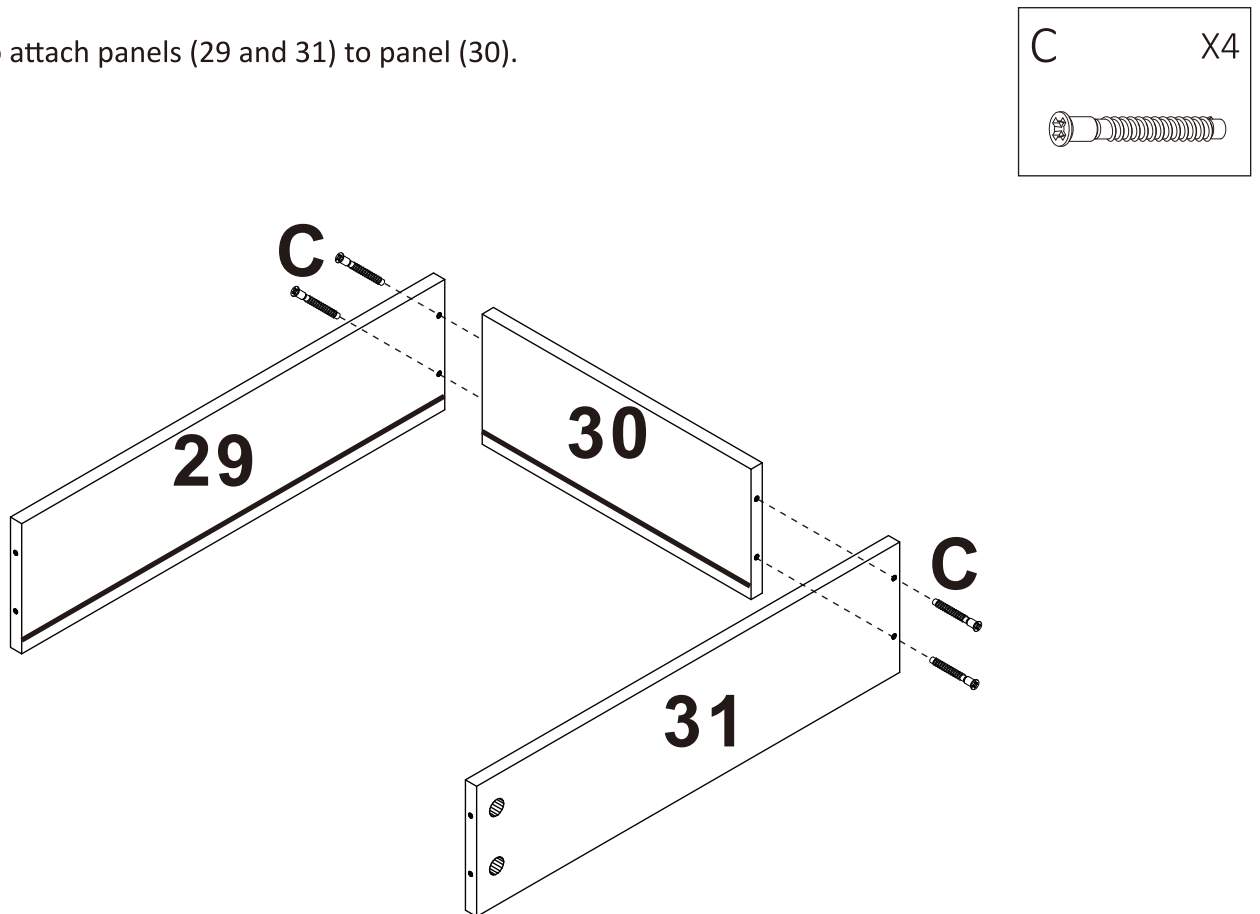
Step 5

I. Use screws (E) to attach the slide rail (D2) to panels (21 and 23).



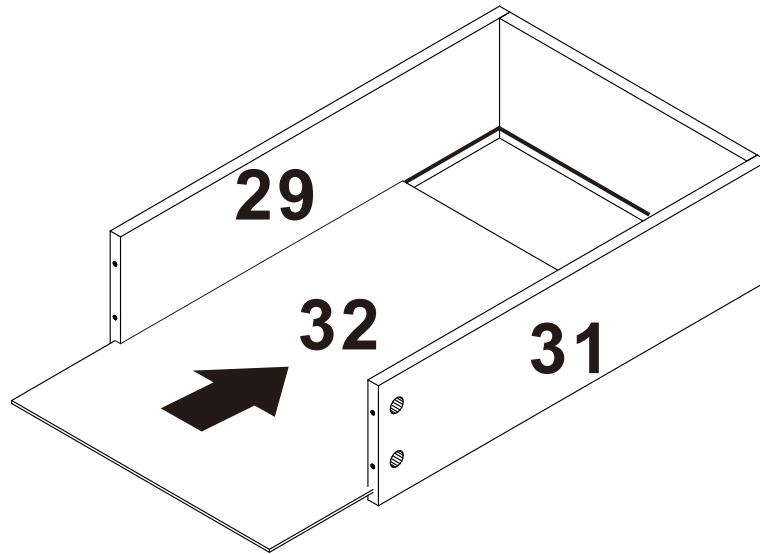
Step 6

I. Use screws (C) to attach panels (29 and 31) to panel (30).



Step 7

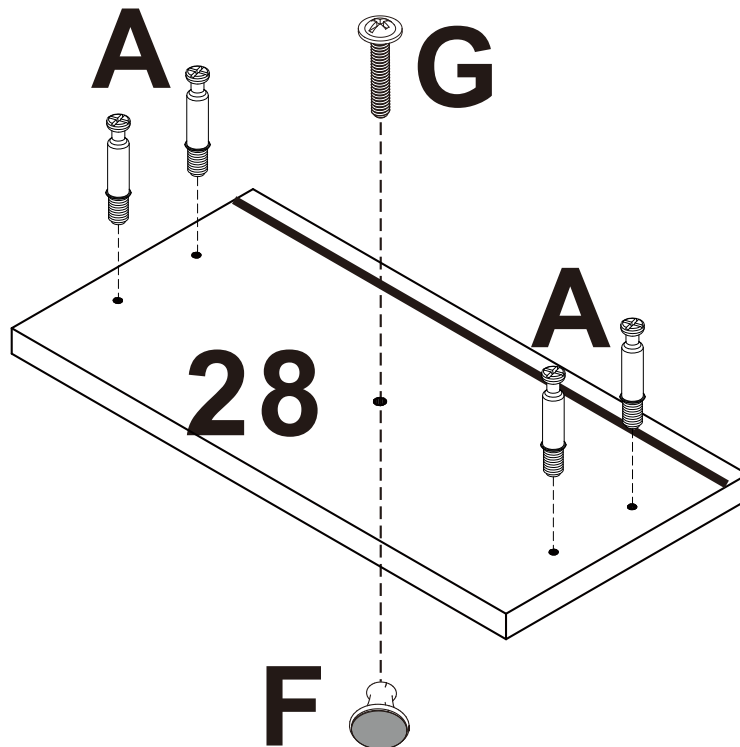
I. Install panel (32) as per diagram and slide them into the grooves until they are fully seated.


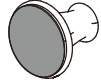



Step 8

I. As shown in the illustration, use a screwdriver to insert the cam bolt (A) into the corresponding hole on panel (28).

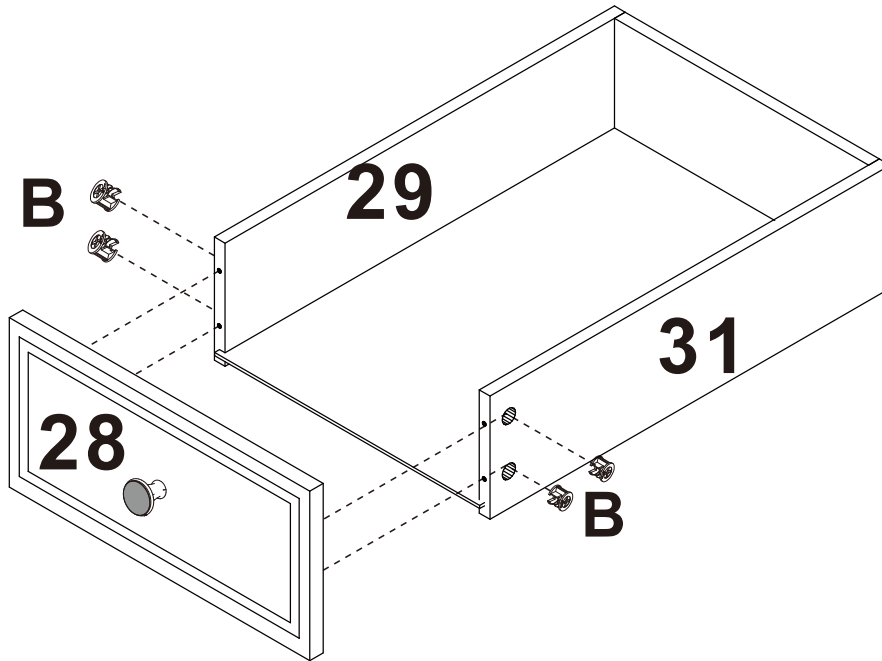
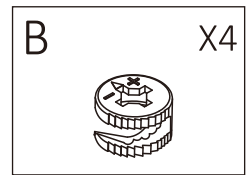
II. Use screws (G) to attach the drawer handle (F) to panel (28).



A	X4
	
F	X1
	
G	X1
	

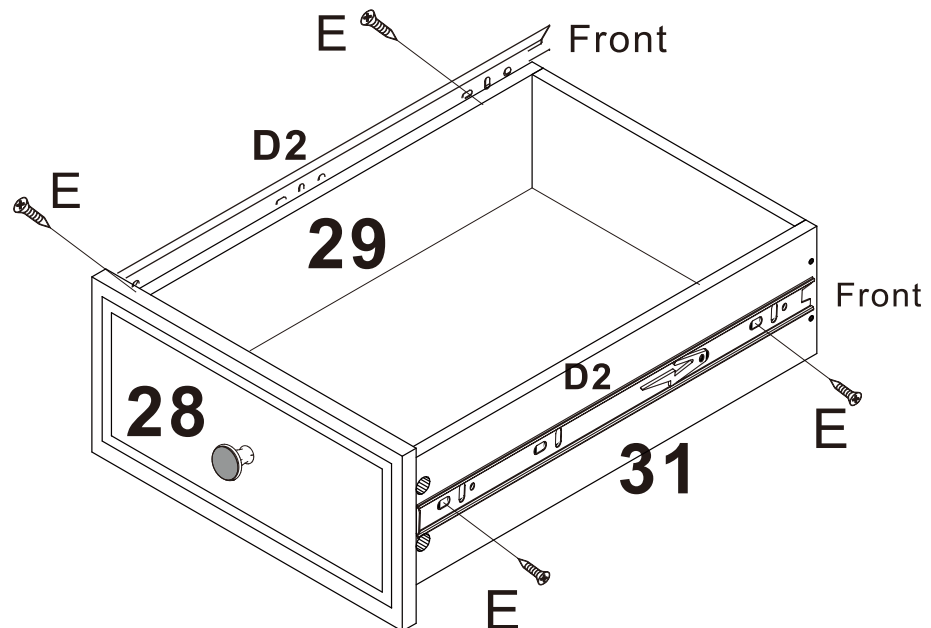
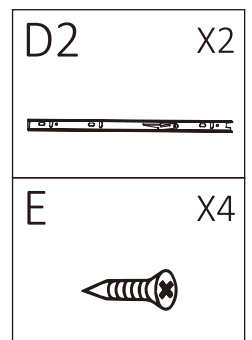
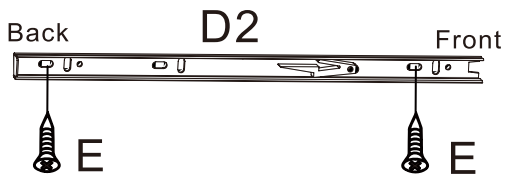
Step 9

I. As shown in the illustration, connect panel (28) to panels (29 and 31), insert the cam lock (B) into the corresponding holes on panels (29 and 31), and then use a screwdriver to turn the cam lock (B) clockwise to secure the cam bolt (A).



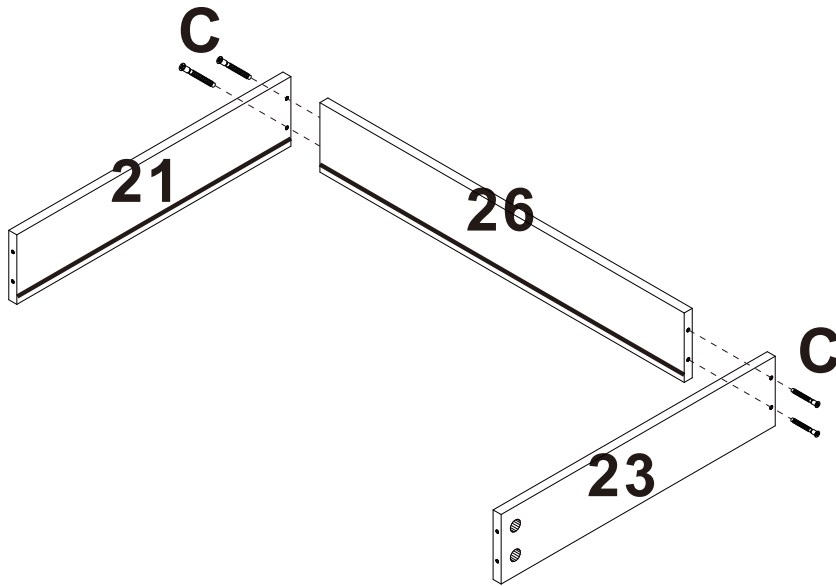
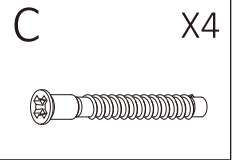
Step 10

I. Use screws (E) to attach the slide rail (D2) to panels (29 and 31).



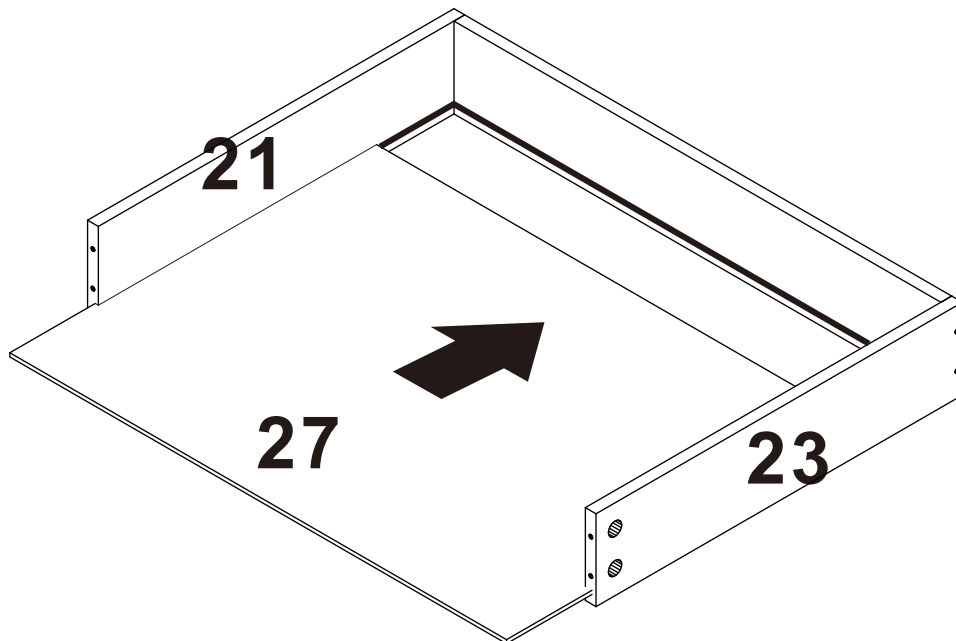
Step 11

I. Use screws (C) to attach panels (21 and 23) to panel (26).



Step 12

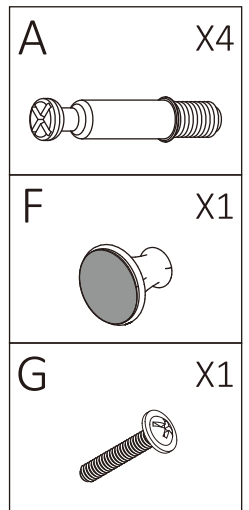
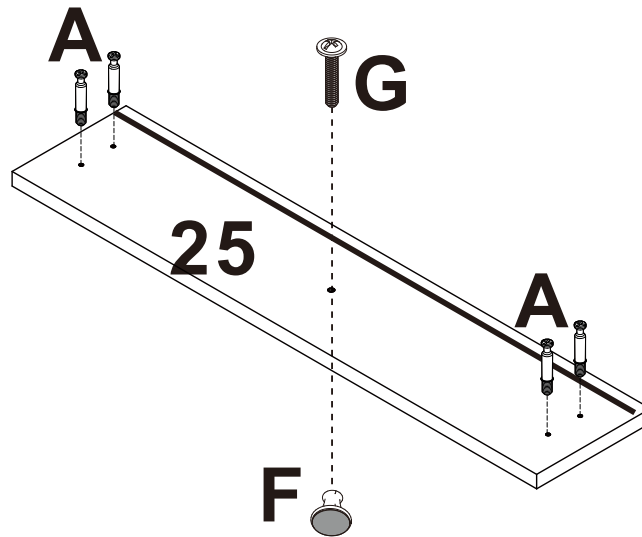
I. Install panel (27) as per diagram and slide them into the grooves until they are fully seated.



Step 13

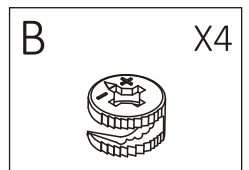
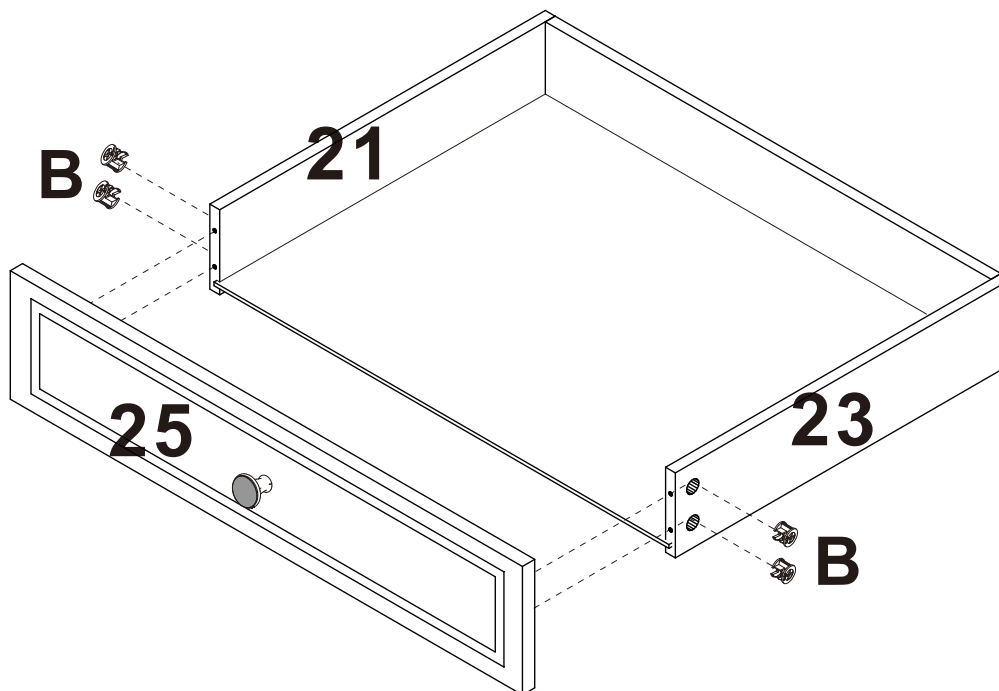
I. As shown in the illustration, use a screwdriver to insert the cam bolt (A) into the corresponding hole on panel (25).

II. Use screws (G) to attach the drawer handle (F) to panel (25).



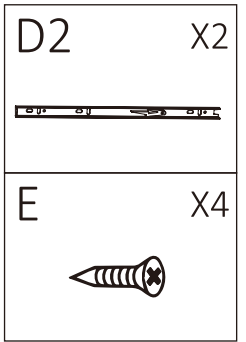
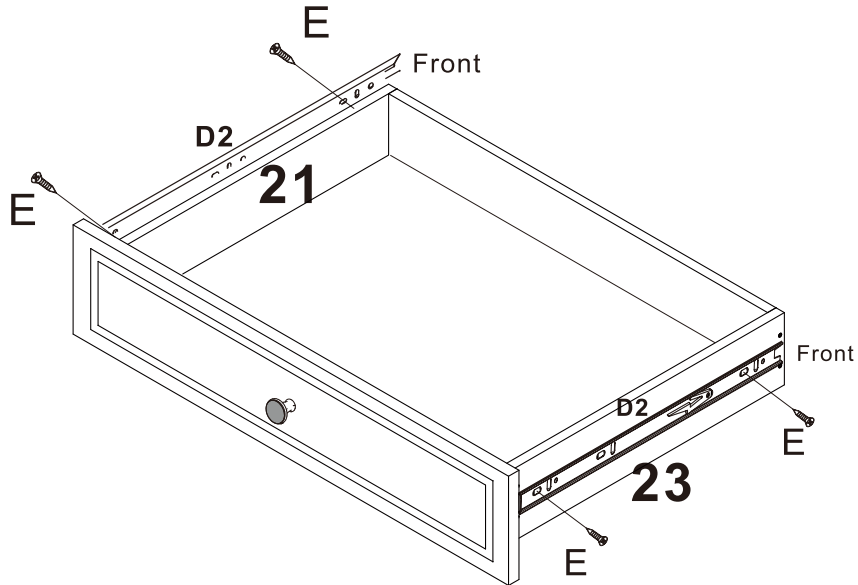
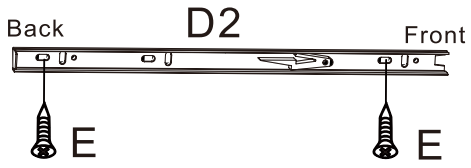
Step 14

I. As shown in the illustration, connect panel (25) to panels (21 and 23), insert the cam lock (B) into the corresponding holes on panels (21 and 23), and then use a screwdriver to turn the cam lock (B) clockwise to secure the cam bolt (A).



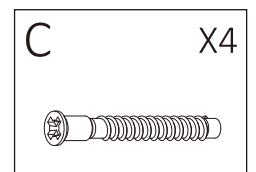
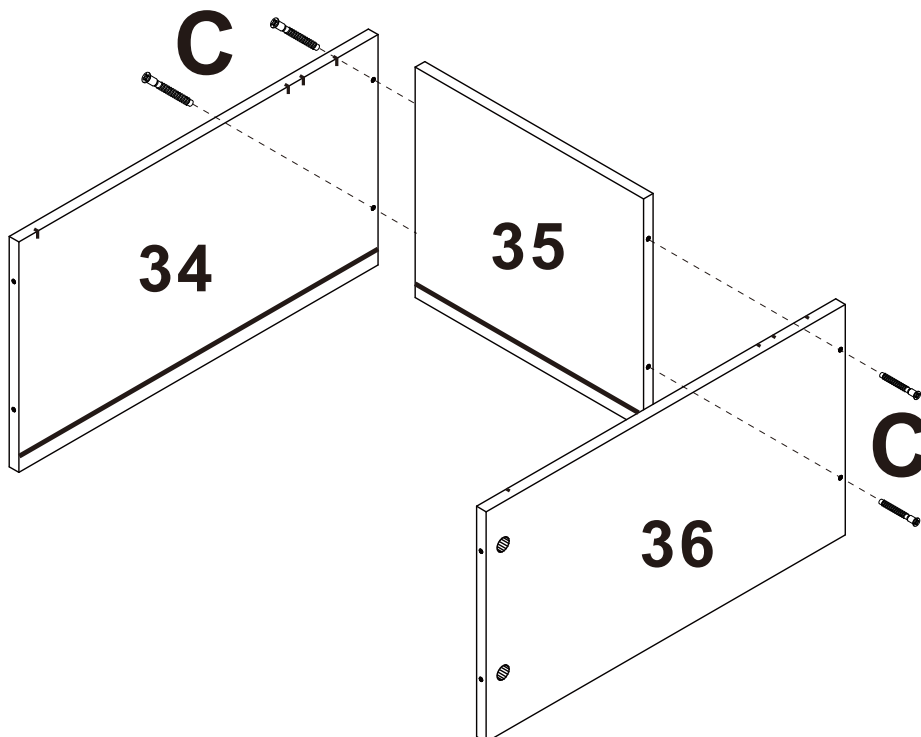
Step 15

I. Use screws (E) to attach the slide rail (D2) to panels (21 and 23).



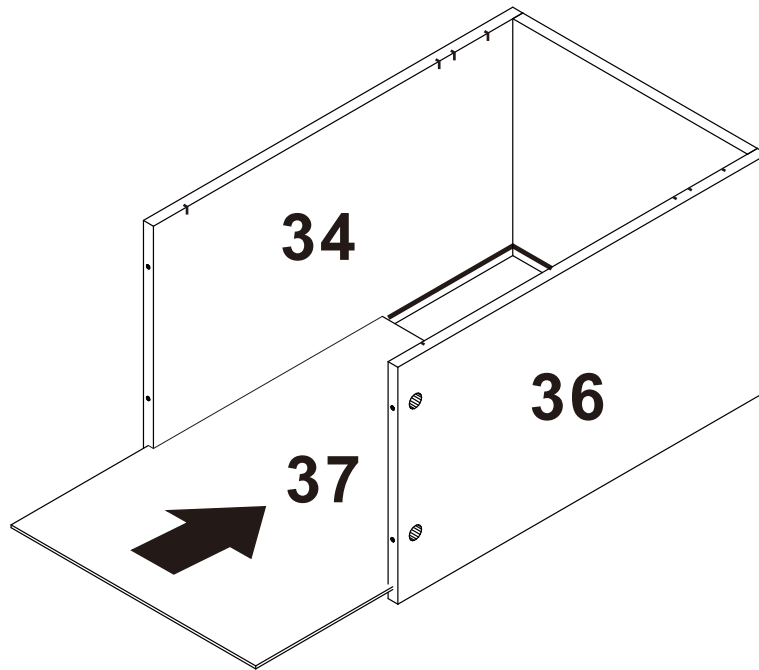
Step 16

I. Use screws (C) to attach panels (34 and 36) to panel (35).



Step 17

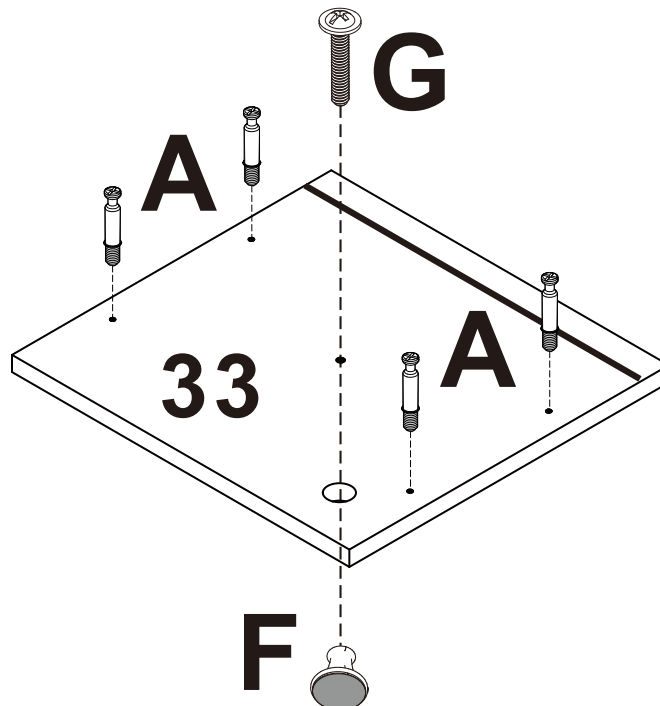
I. Install panel (37) as per diagram and slide them into the grooves until they are fully seated.

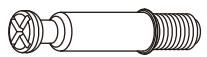




Step 18

I. As shown in the illustration, use a screwdriver to insert the cam bolt (A) into the corresponding hole on panel (33).

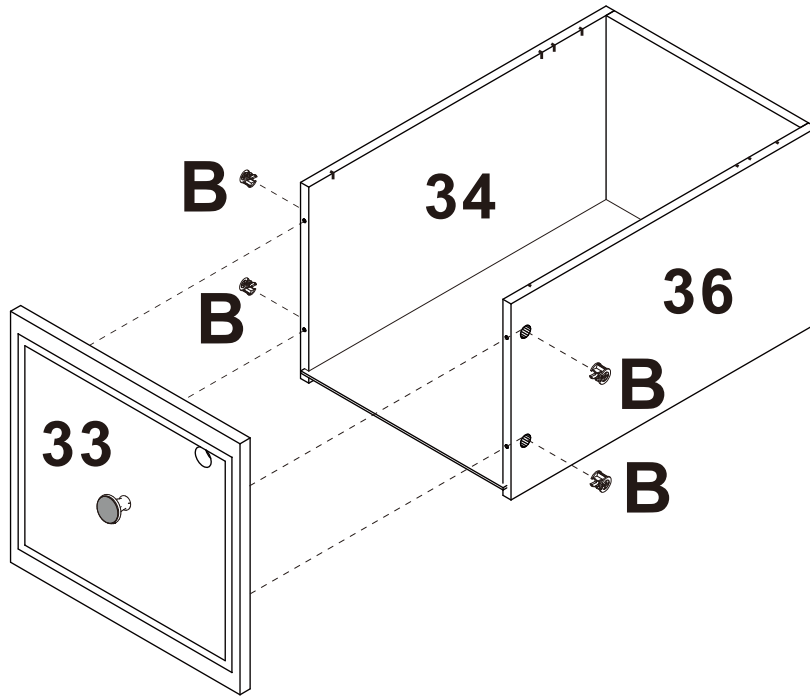
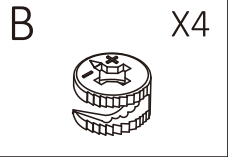
II. Use screws (G) to attach the drawer handle (F) to panel (33).



A	X4
	
F	X1
	
G	X1
	

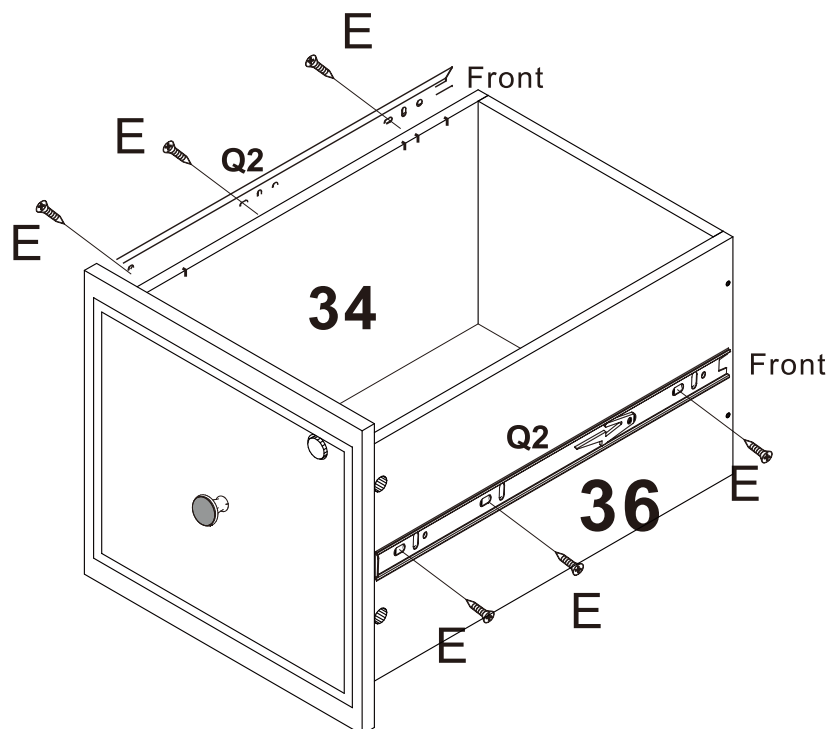
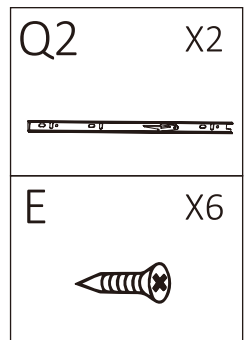
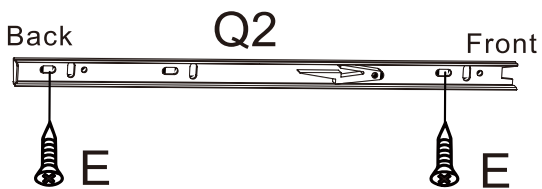
Step 19

I. As shown in the illustration, connect panel (33) to panels (34 and 36), insert the cam lock (B) into the corresponding holes on panels (34 and 36), and then use a screwdriver to turn the cam lock (B) clockwise to secure the cam bolt (A).



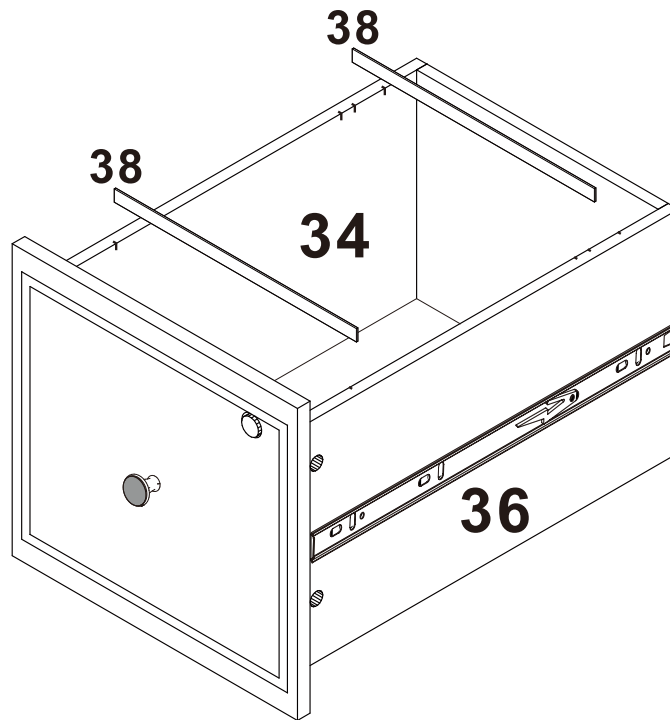
Step 20

I. Use screws (E) to attach the slide rail (Q2) to panels (34 and 36).



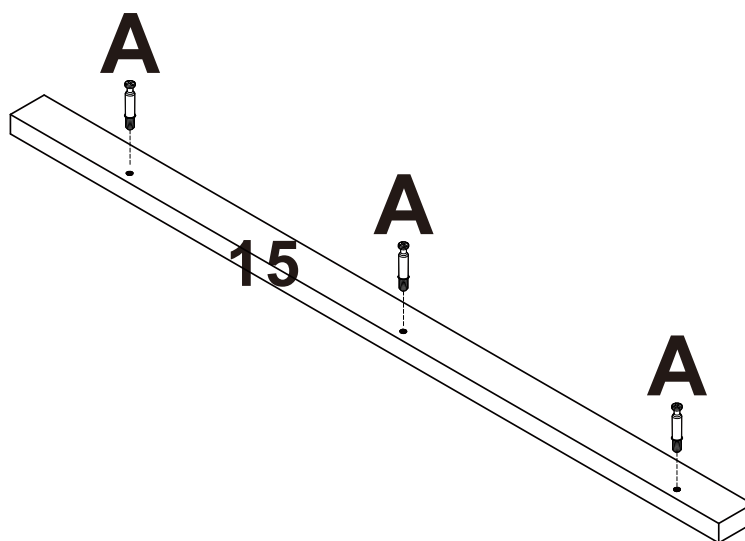
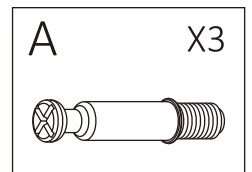
Step 21

I. According to your needs, insert the file holders (38 and 38) into the corresponding slots on panels (34 and 36).



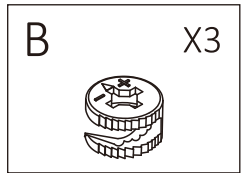
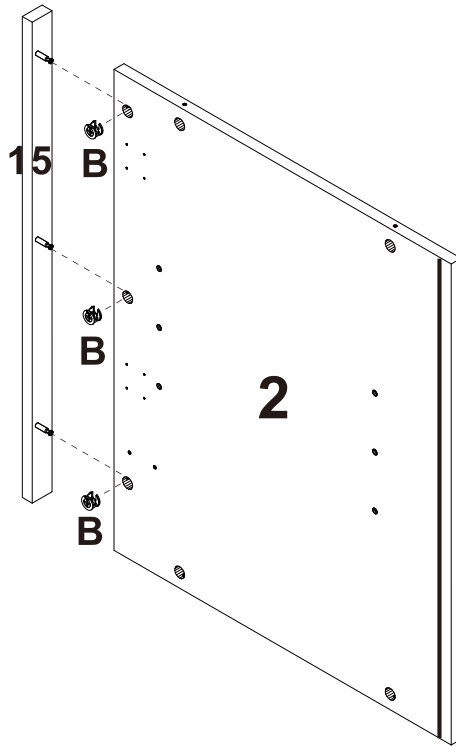
Step 22

I. As shown in the illustration, use a screwdriver to insert the cam bolt (A) into the corresponding hole on panel (15).



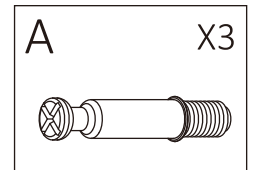
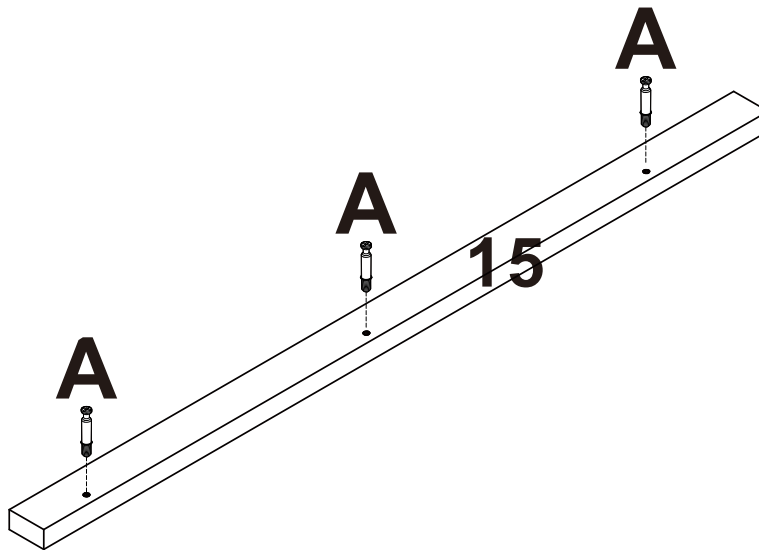
Step 23

I. As shown in the illustration, connect panel (15) to panels (2), insert the cam lock (B) into the corresponding holes on panels (2), and then use a screwdriver to turn the cam lock (B) clockwise to secure the cam bolt (A).



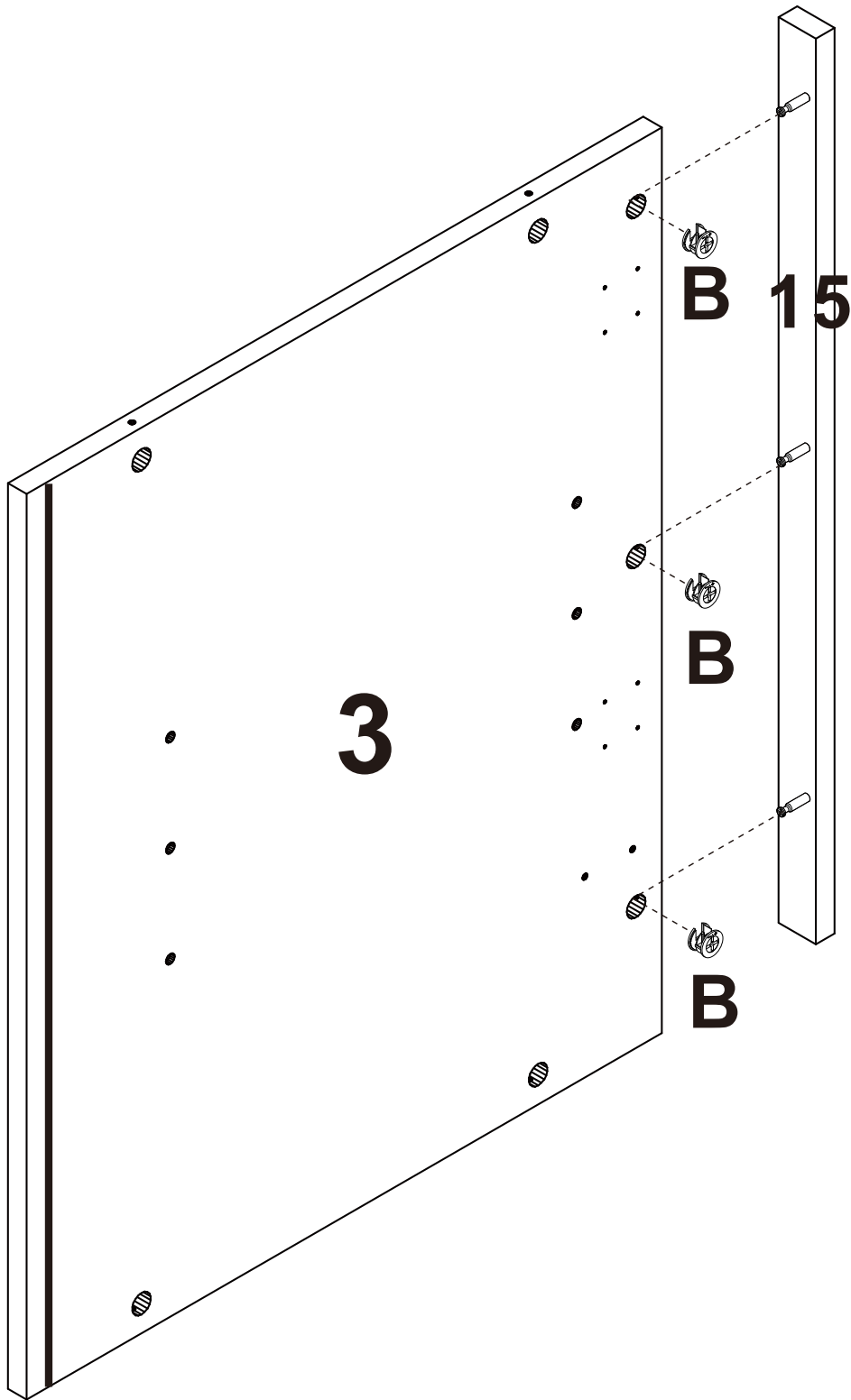
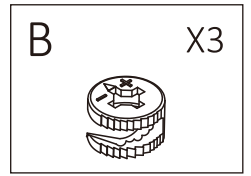
Step 24

I. As shown in the illustration, use a screwdriver to insert the cam bolt (A) into the corresponding hole on panel (15).



Step 25

I. As shown in the illustration, connect panel (15) to panels (3), insert the cam lock (B) into the corresponding holes on panels (3), and then use a screwdriver to turn the cam lock (B) clockwise to secure the cam bolt (A).



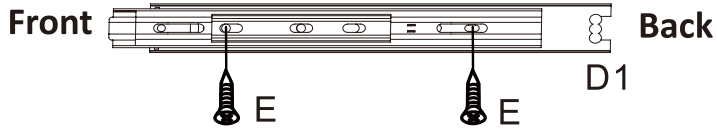
Step 26

I. Use screws (E) to attach the slide rail (D1) to panels (2 and 3).

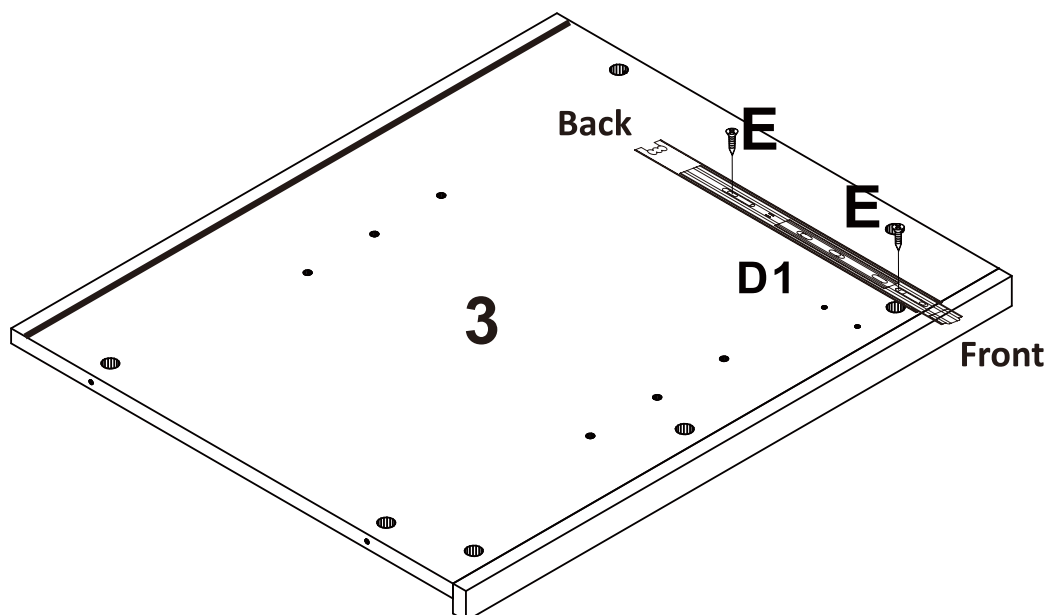
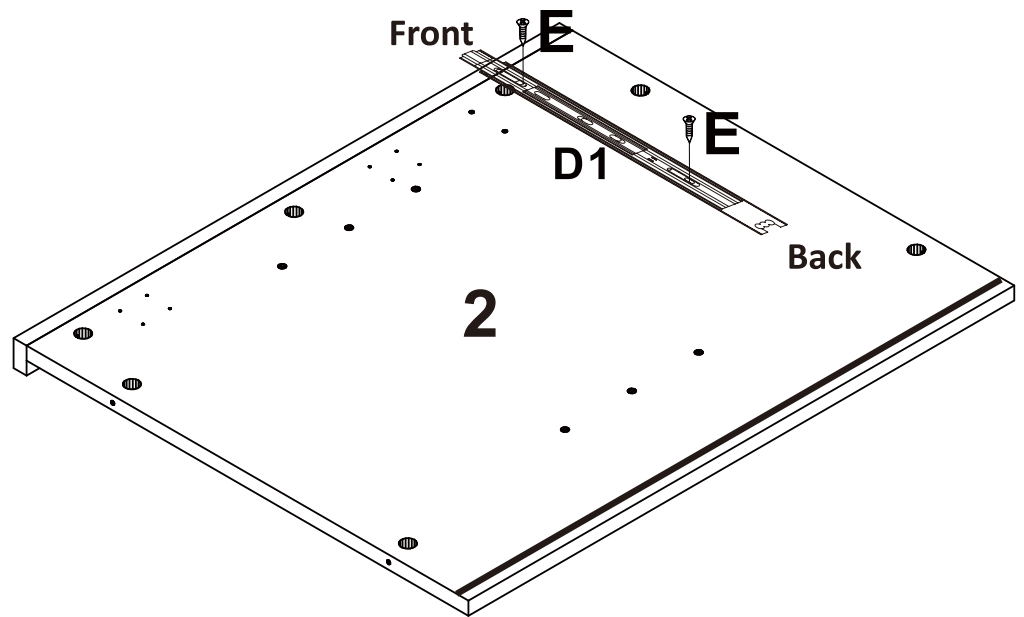
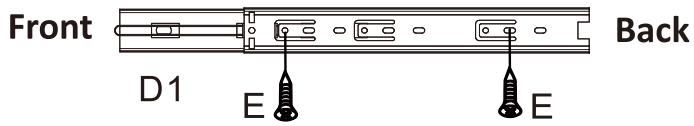
D1 X2



E X4

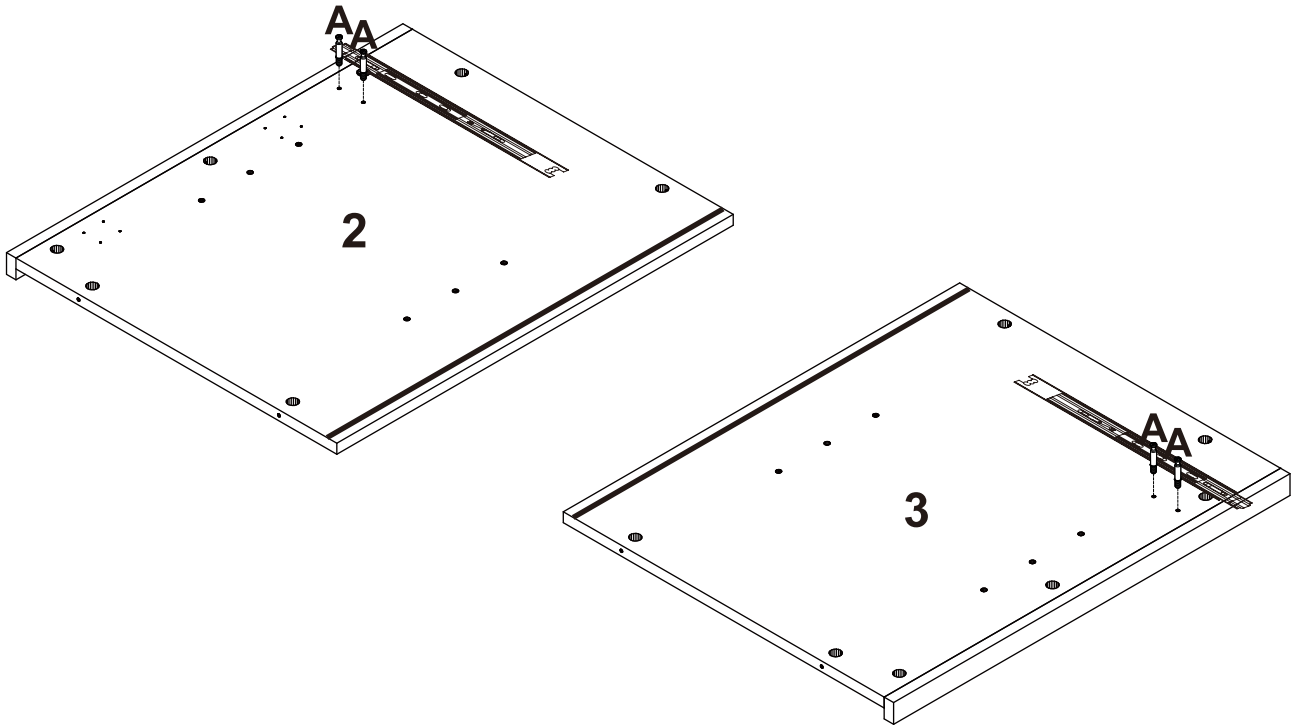
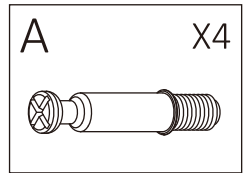


Flip to display



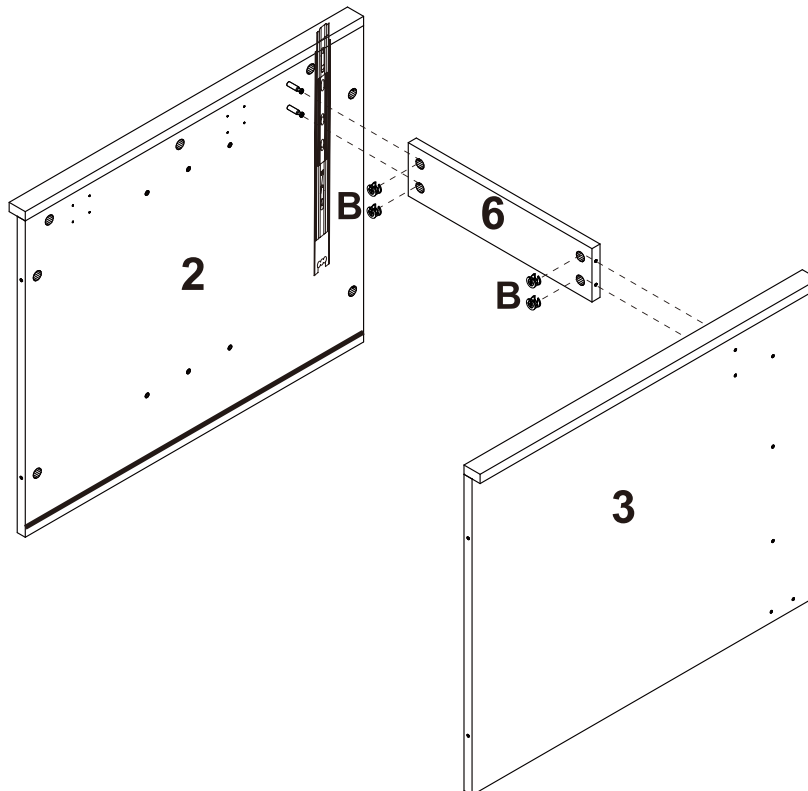
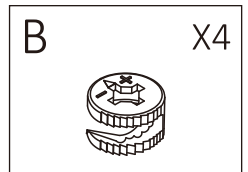
Step 27

I. As shown in the illustration, use a screwdriver to insert the cam bolt (A) into the corresponding hole on panel (2 and 3).



Step 28

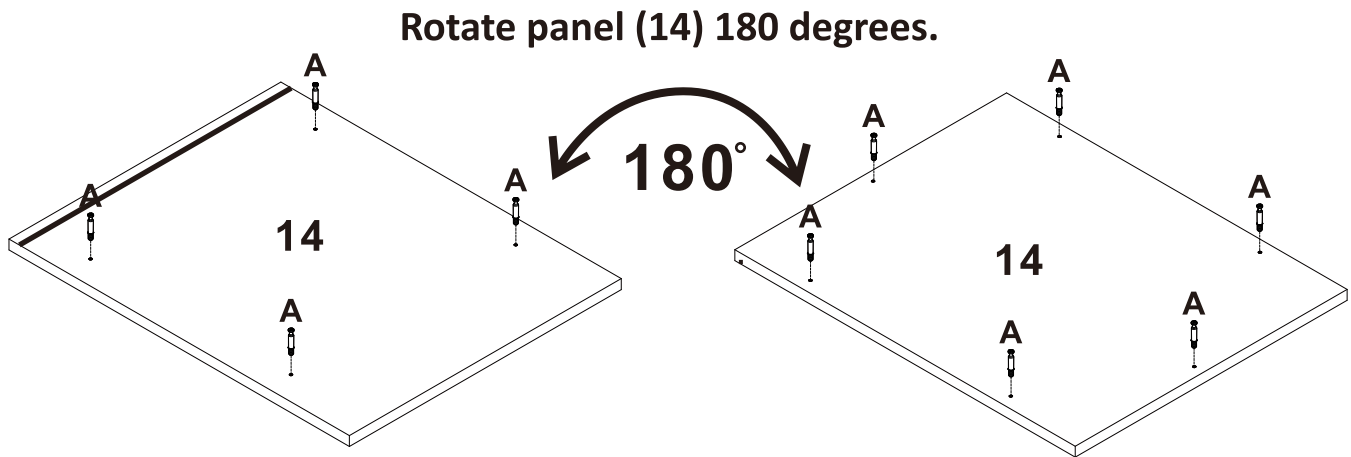
I. As shown in the illustration, connect panel (6) to panels (2 and 3), insert the cam lock (B) into the corresponding holes on panels (6), and then use a screwdriver to turn the cam lock (B) clockwise to secure the cam bolt (A).



Step 29

I. As shown in the illustration, use a screwdriver to insert the cam bolt (A) into the corresponding holes on panels (14).

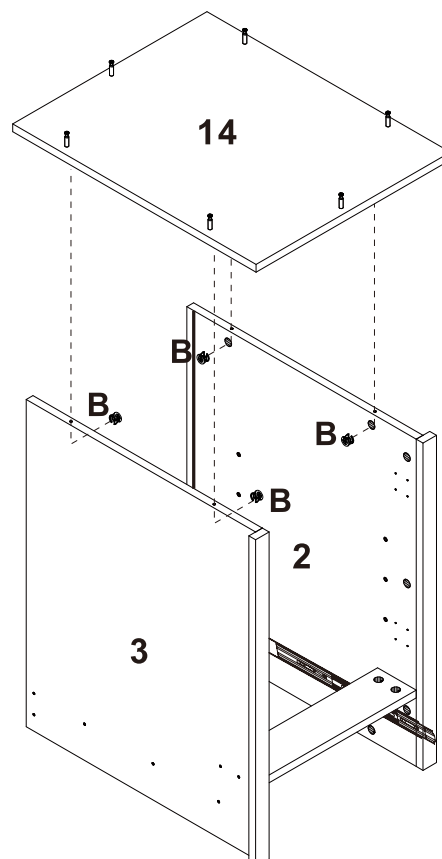
A X10



Step 30

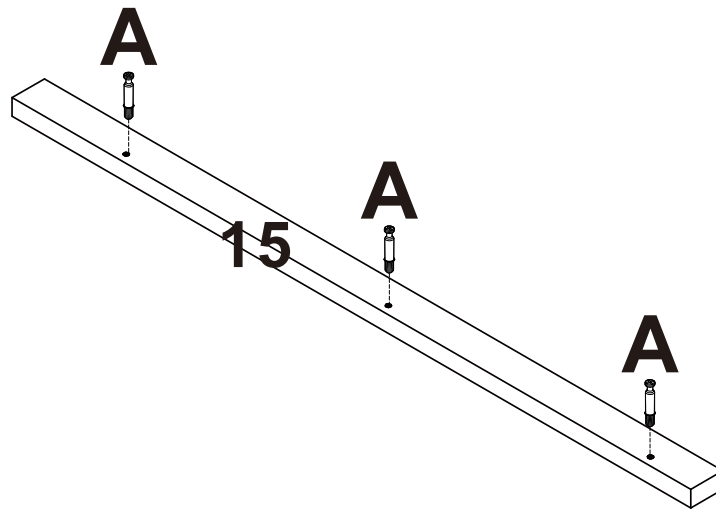
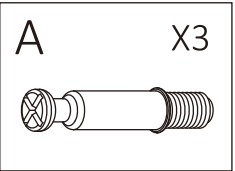
I. As shown in the illustration, connect the panels (14) to panel (2 and 3), insert the cam lock (B) into the corresponding holes on panels (2 and 3), and then use a screwdriver to turn the cam lock (B) clockwise to secure the cam bolt (A).

B X4



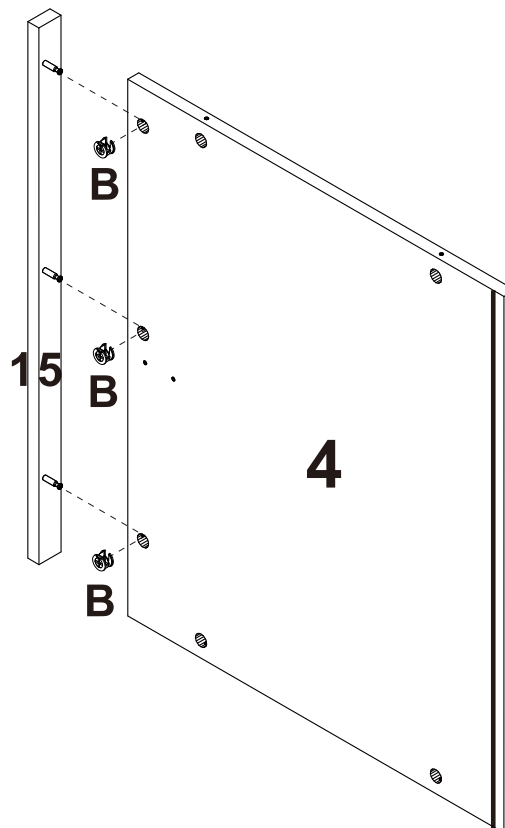
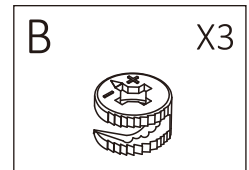
Step 31

I. As shown in the illustration, use a screwdriver to insert the cam bolt (A) into the corresponding hole on panel (15).



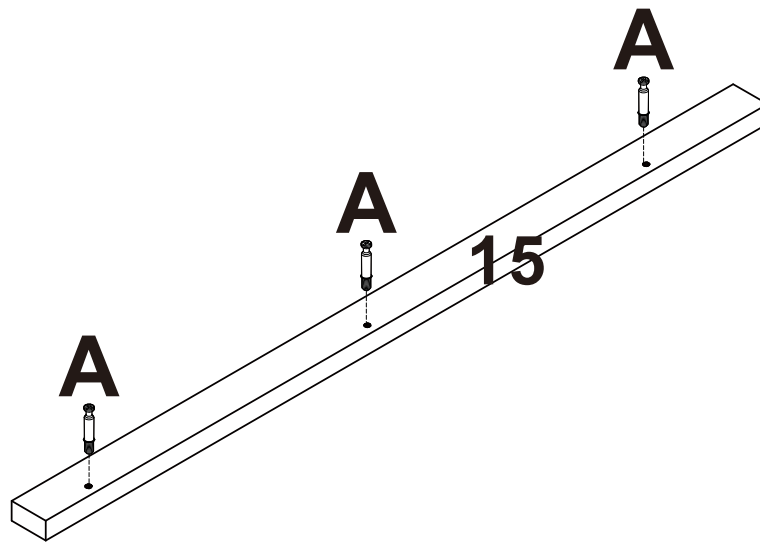
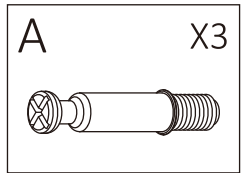
Step 32

I. As shown in the illustration, connect panel (15) to panels (4), insert the cam lock (B) into the corresponding holes on panels (4), and then use a screwdriver to turn the cam lock (B) clockwise to secure the cam bolt (A).



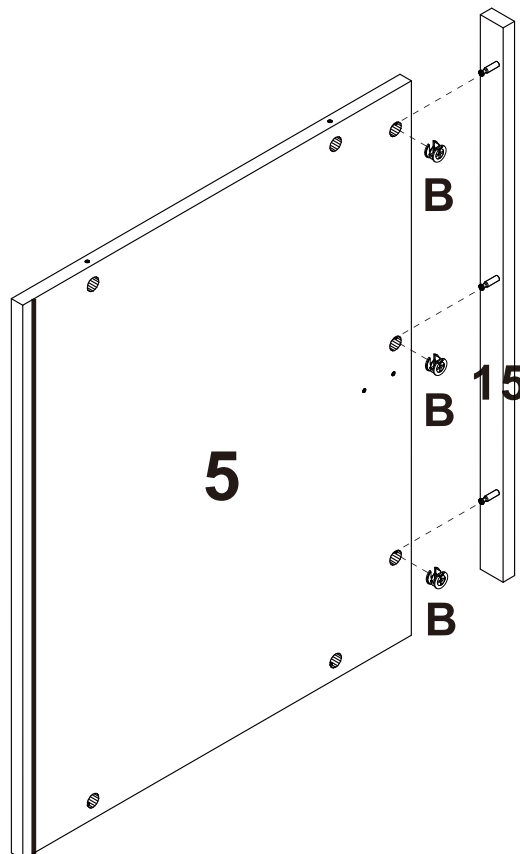
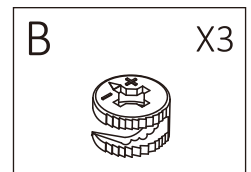
Step 33

I. As shown in the illustration, use a screwdriver to insert the cam bolt (A) into the corresponding hole on panel (15).



Step 34

I. As shown in the illustration, connect panel (15) to panels (5), insert the cam lock (B) into the corresponding holes on panels (5), and then use a screwdriver to turn the cam lock (B) clockwise to secure the cam bolt (A).

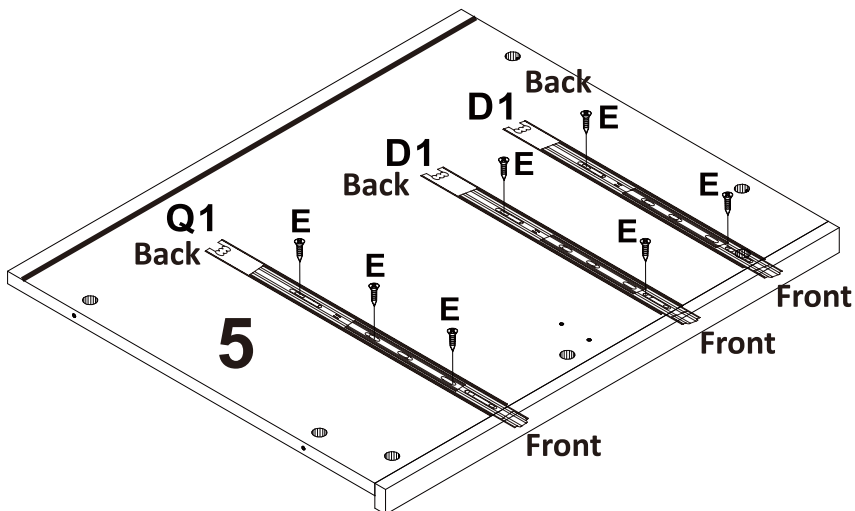
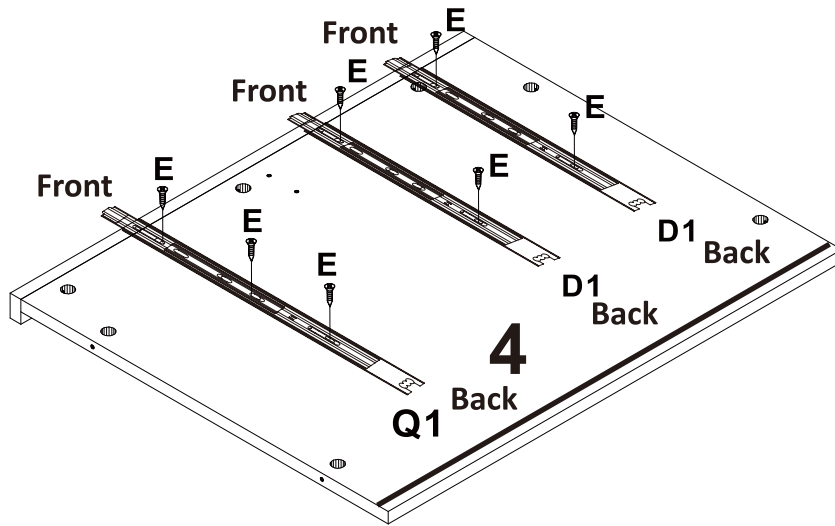
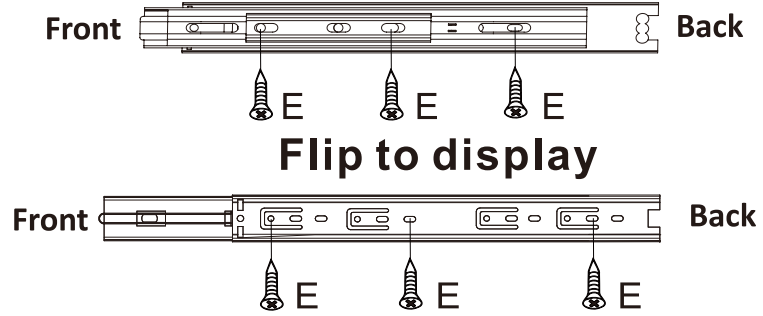
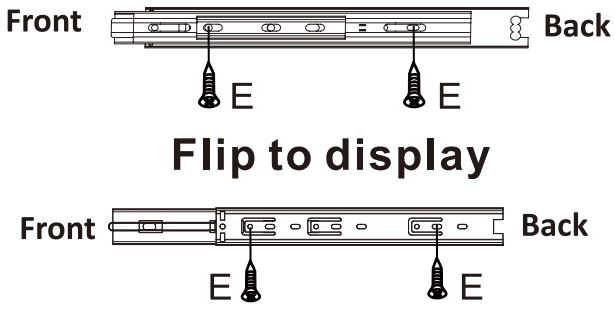





Step 35

I. Use screws (E) to attach the slide rail (D1 and Q1) to panels (4 and 5).

D1

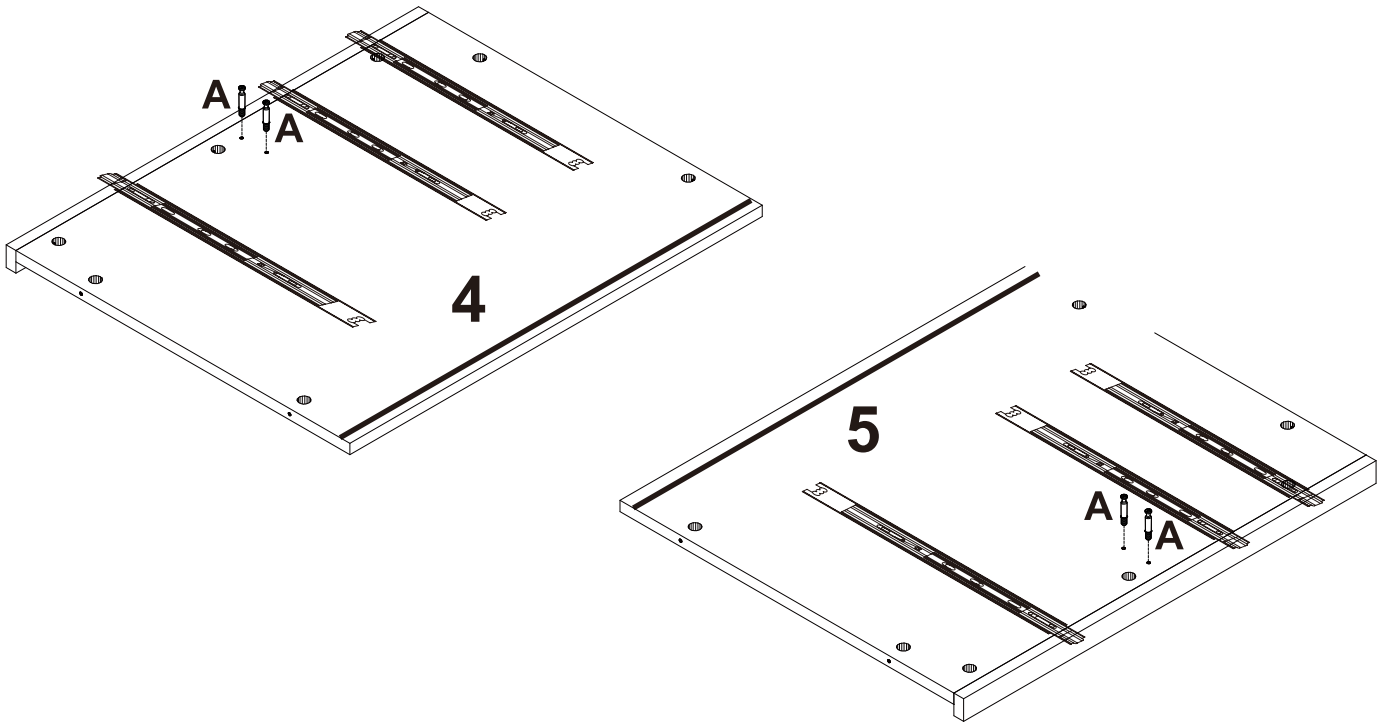
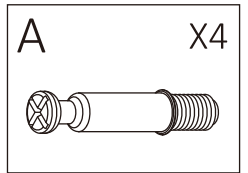
Q1



D1	X4
	
E	X14
	
Q1	X2
	

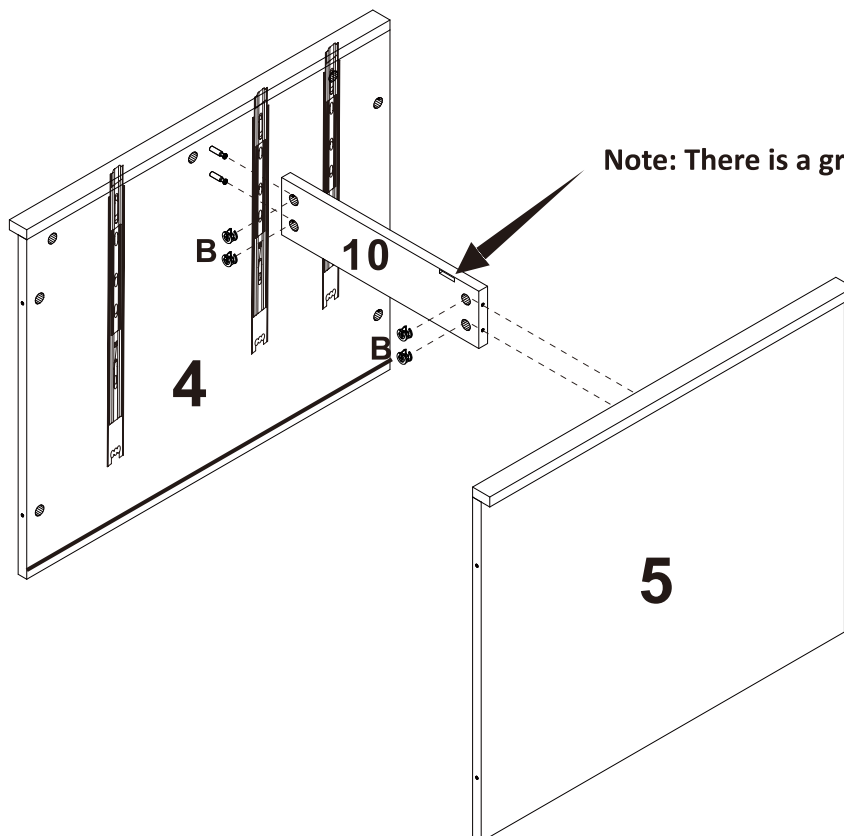
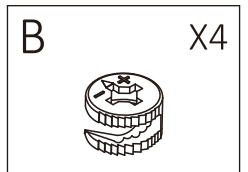
Step 36

I. As shown in the illustration, use a screwdriver to insert the cam bolt (A) into the corresponding hole on panel (4 and 5).



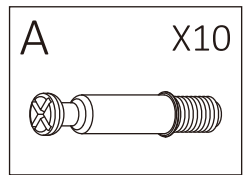
Step 37

I. As shown in the illustration, connect panel (10) to panels (4 and 5), insert the cam lock (B) into the corresponding holes on panels (10), and then use a screwdriver to turn the cam lock (B) clockwise to secure the cam bolt (A).

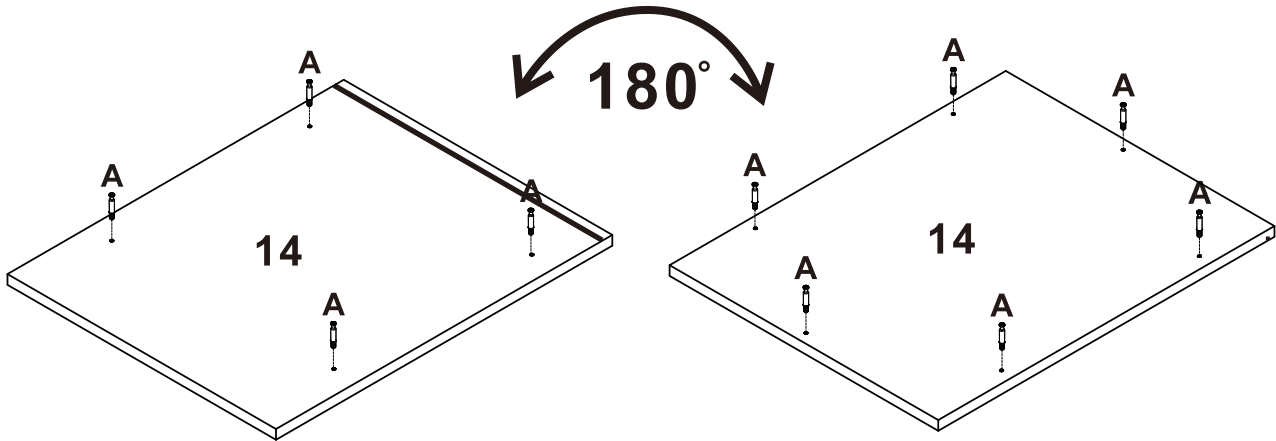


Step 38

I. As shown in the illustration, use a screwdriver to insert the cam bolt (A) into the corresponding holes on panels (14).

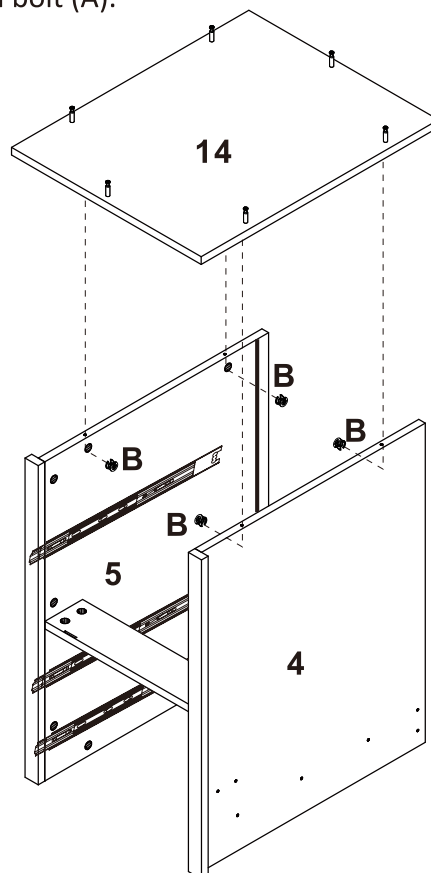
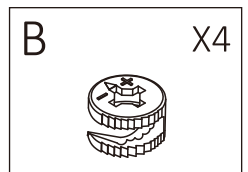


Rotate panel (14) 180 degrees.



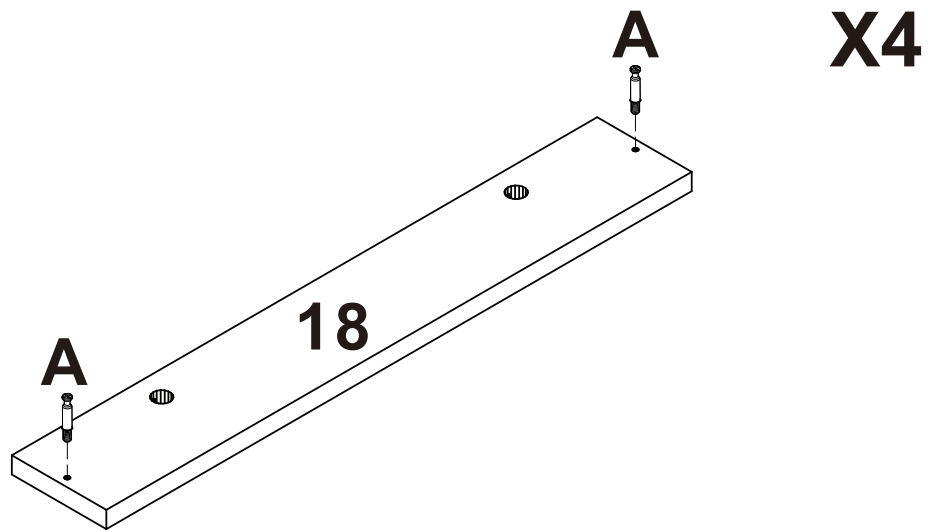
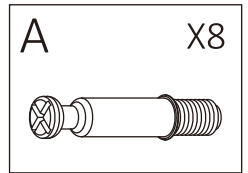
Step 39

I. As shown in the illustration, connect the panels (14) to panel (4 and 5), insert the cam lock (B) into the corresponding holes on panels (4 and 5), and then use a screwdriver to turn the cam lock (B) clockwise to secure the cam bolt (A).



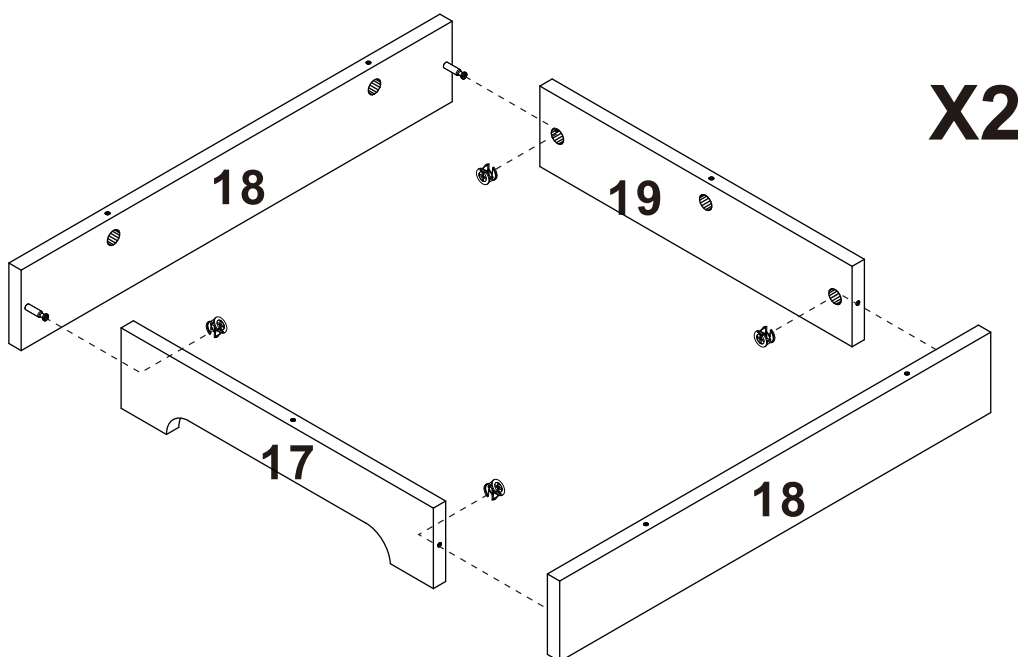
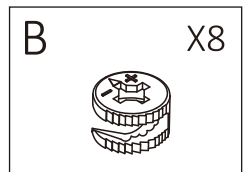
Step 40

I. As shown in the illustration, use a screwdriver to insert the cam bolt (A) into the corresponding holes on panels (18).



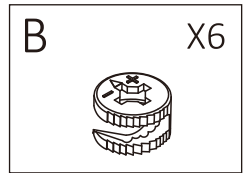
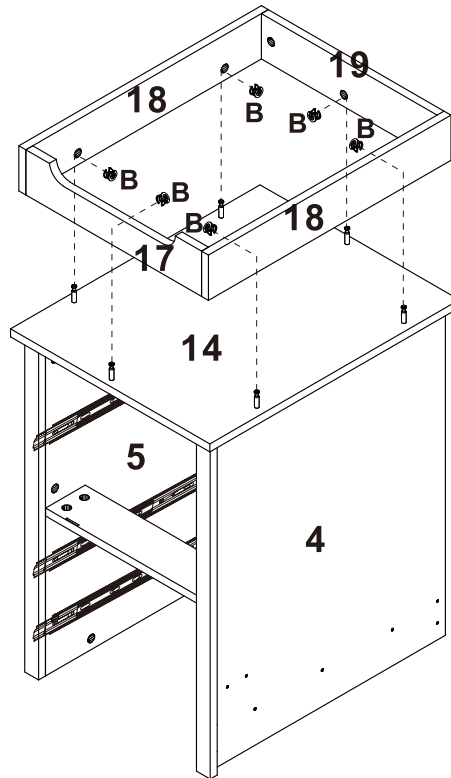
Step 41

I. As shown in the illustration, connect the panels (18 and 18) to panel (17 and 19), insert the cam lock (B) into the corresponding holes on panels (17 and 19), and then use a screwdriver to turn the cam lock (B) clockwise to secure the cam bolt (A).



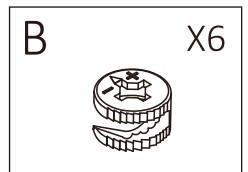
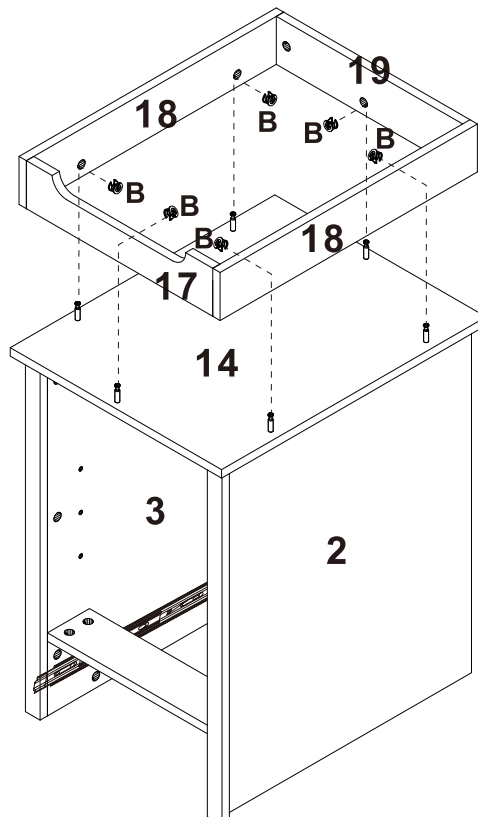
Step 42

I. As shown in the illustration, connect the assembled panel (17、 18、 18、 and 19) to panel (14), insert the cam lock (B) into the corresponding holes on panels (17、 18、 18、 and 19), and then use a screwdriver to turn the cam lock (B) clockwise to secure the cam bolt (A).



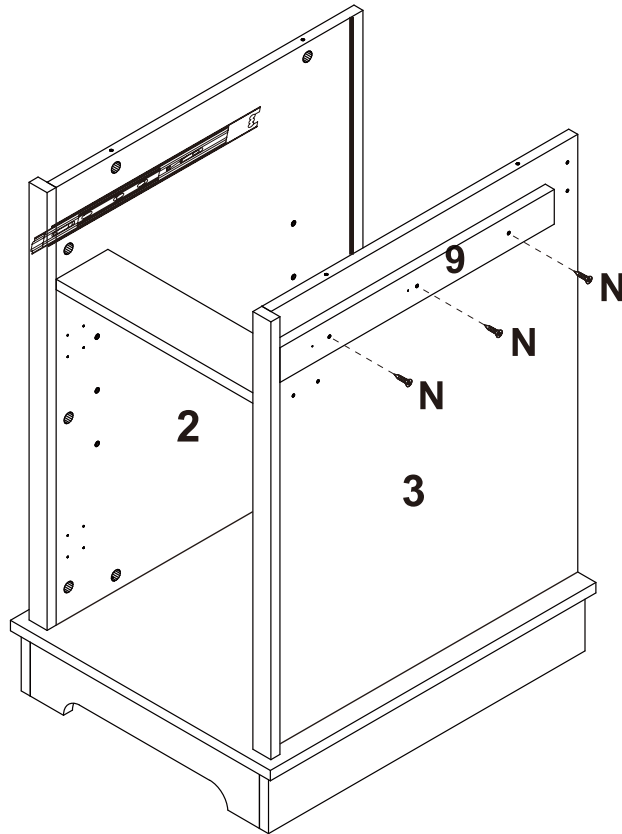
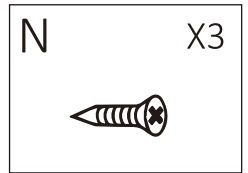
Step 43

I. As shown in the illustration, connect the assembled panel (17、 18、 18、 and 19) to panel (14), insert the cam lock (B) into the corresponding holes on panels (17、 18、 18、 and 19), and then use a screwdriver to turn the cam lock (B) clockwise to secure the cam bolt (A).



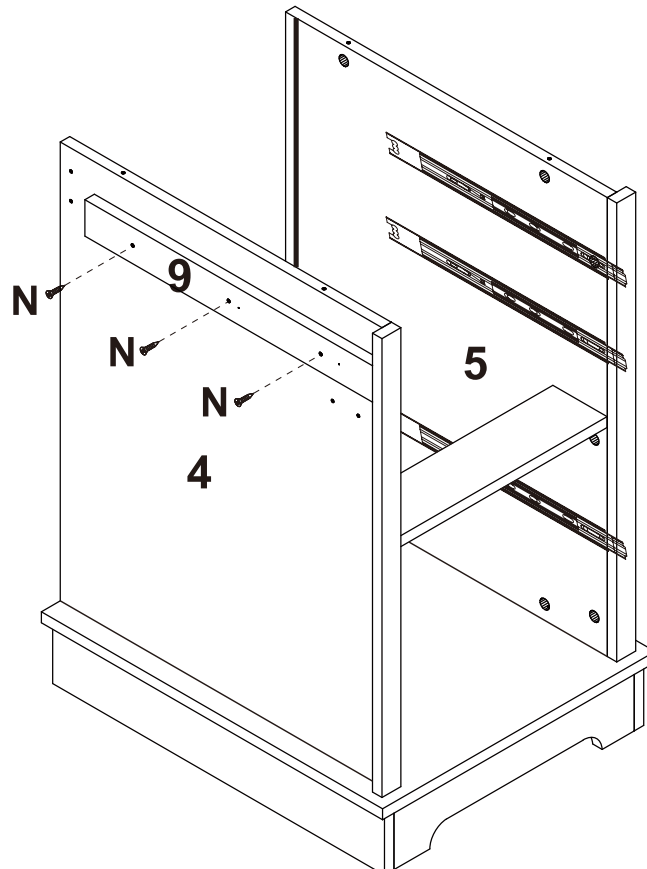
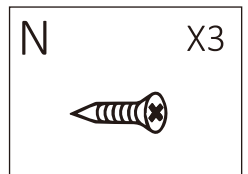
Step 44

I. Use screws (N) to attach the panel (9) to panel (3).



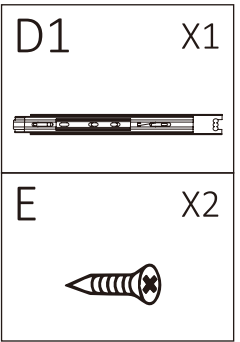
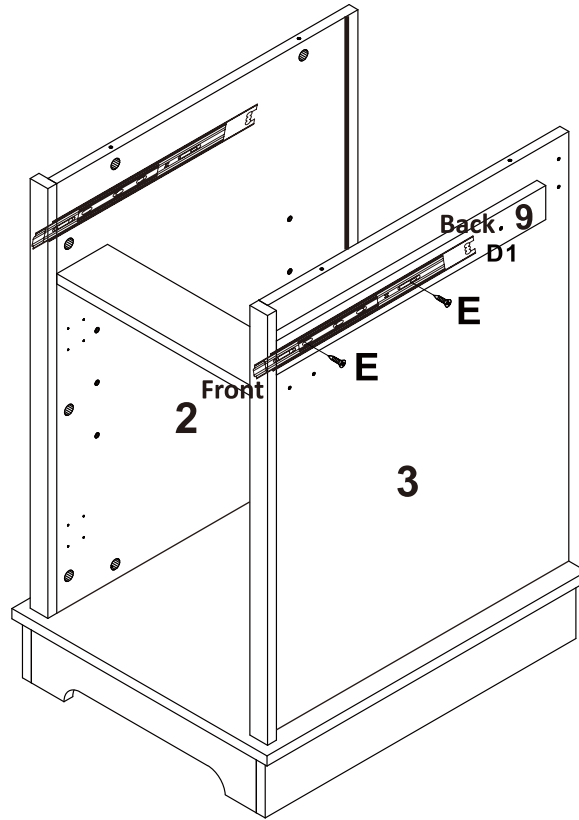
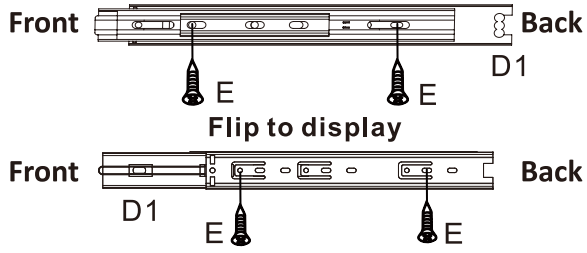
Step 45

I. Use screws (N) to attach the panel (9) to panel (4).



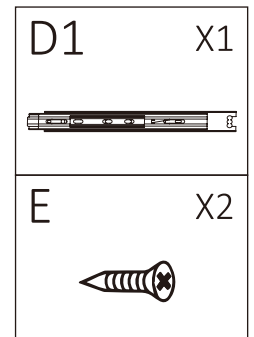
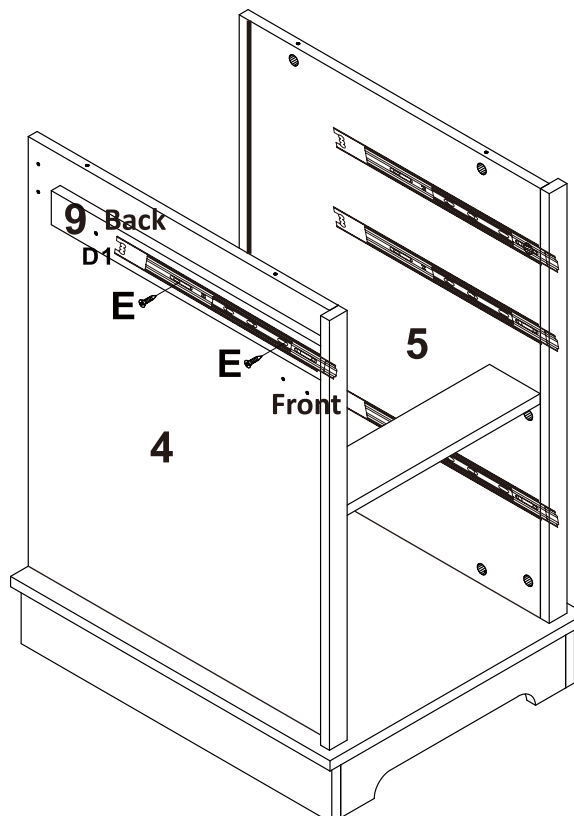
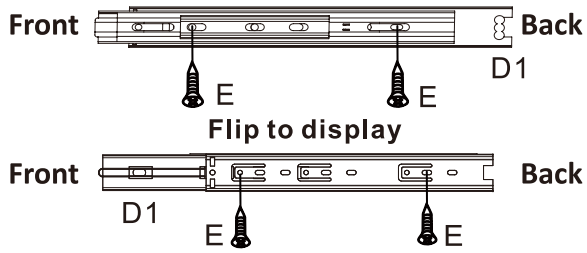
Step 46

I. Use screws (E) to attach the slide rail (D1) to panels (9).



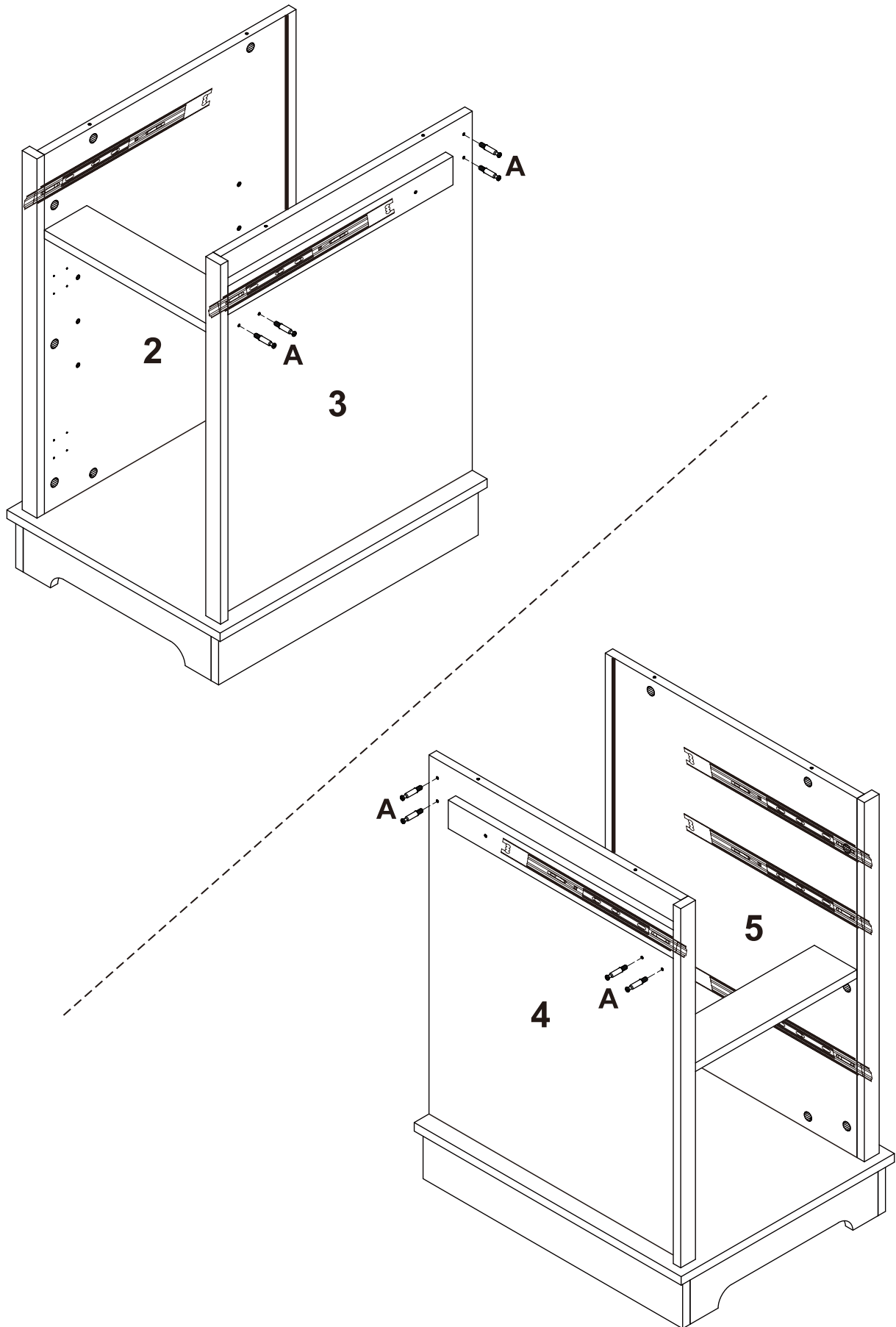
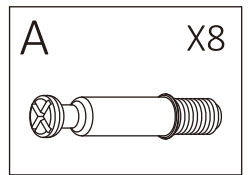
Step 47

I. Use screws (E) to attach the slide rail (D1) to panels (9).



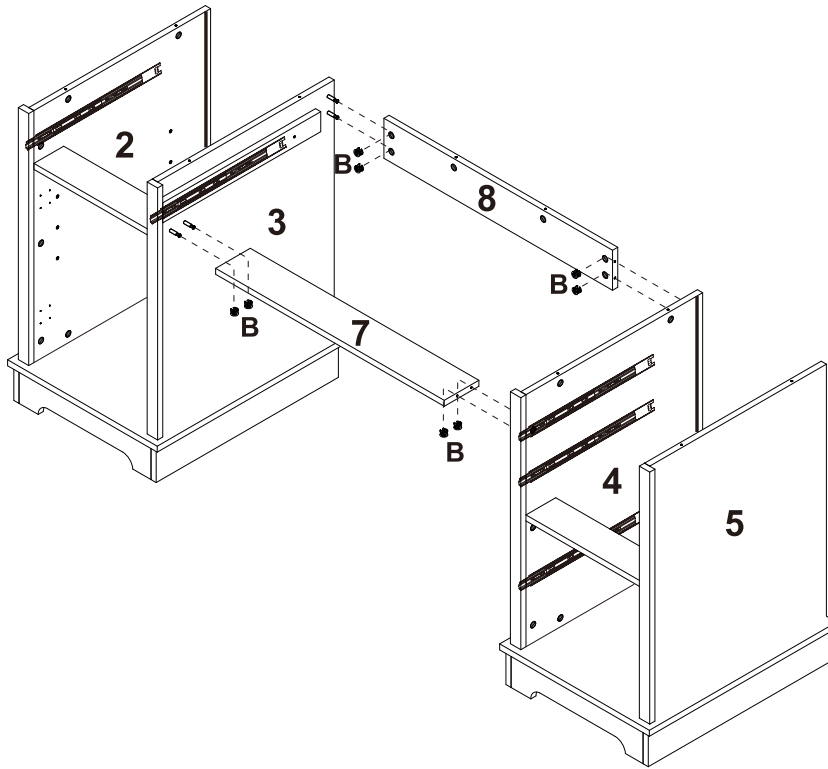
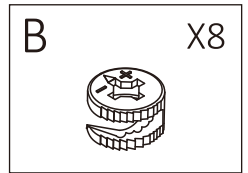
Step 48

I. As shown in the illustration, use a screwdriver to insert the cam bolt (A) into the corresponding holes on panels (3 and 4).



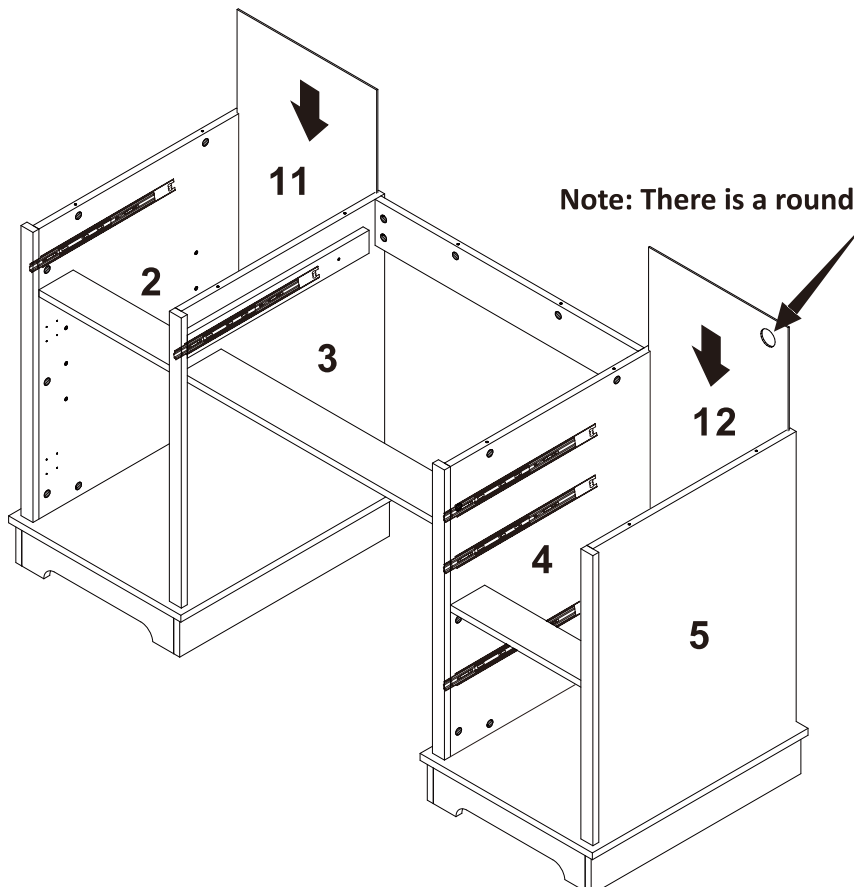
Step 49

I. As shown in the illustration, connect the panels (7 and 8) to panels (3 and 4), insert the cam lock (B) into the corresponding holes on panels (7 and 8), and then use a screwdriver to turn the cam lock (B) clockwise to secure the cam bolt (A).



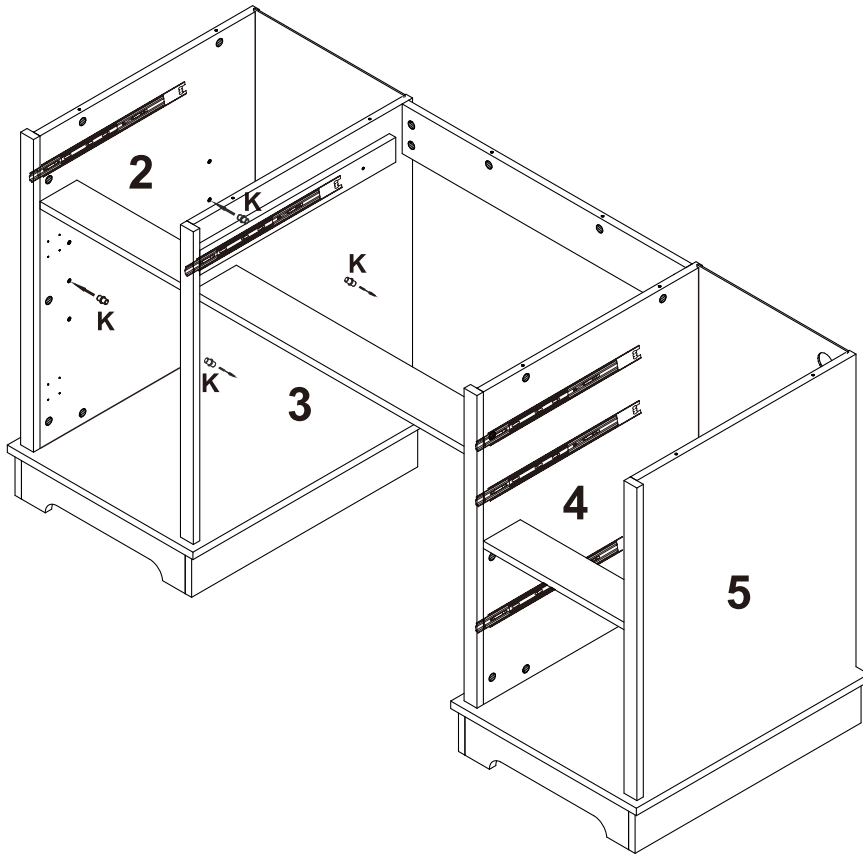
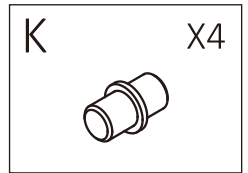
Step 50

I. Install panel (11 and 12) as per diagram and slide them into the grooves until they are fully seated.



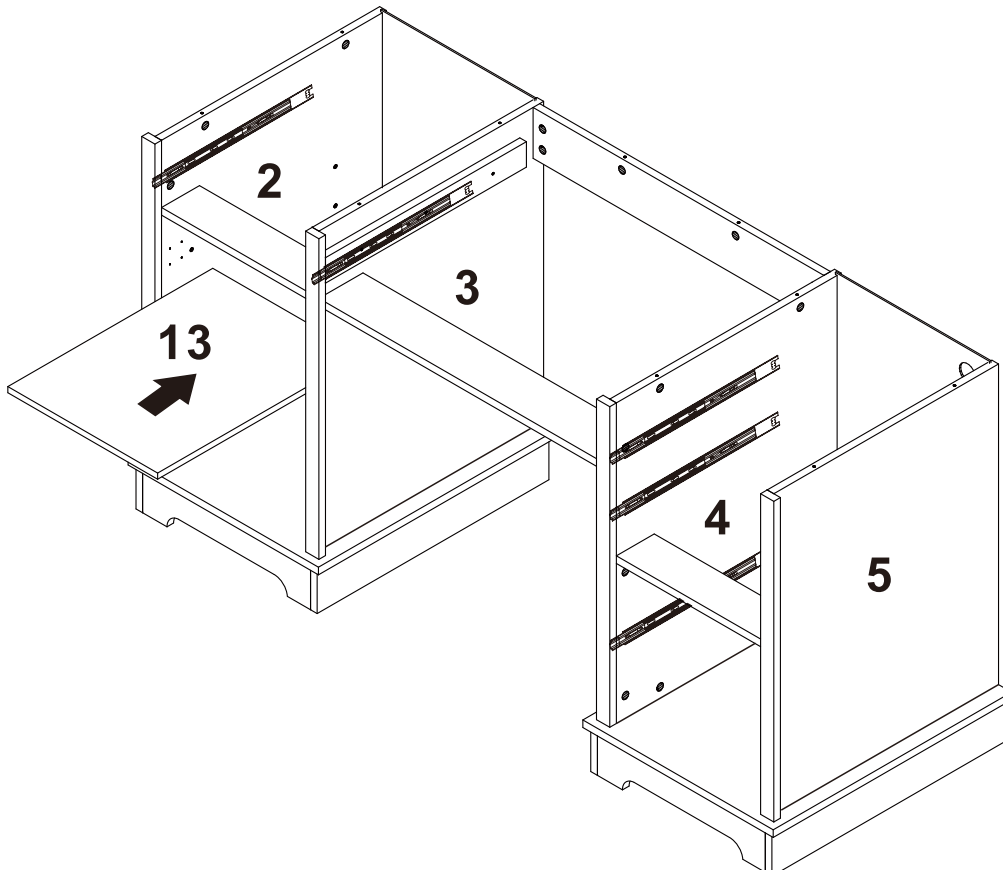
Step 51

I. Insert the shelf supports (K) into the corresponding holes on panels (2 and 3).



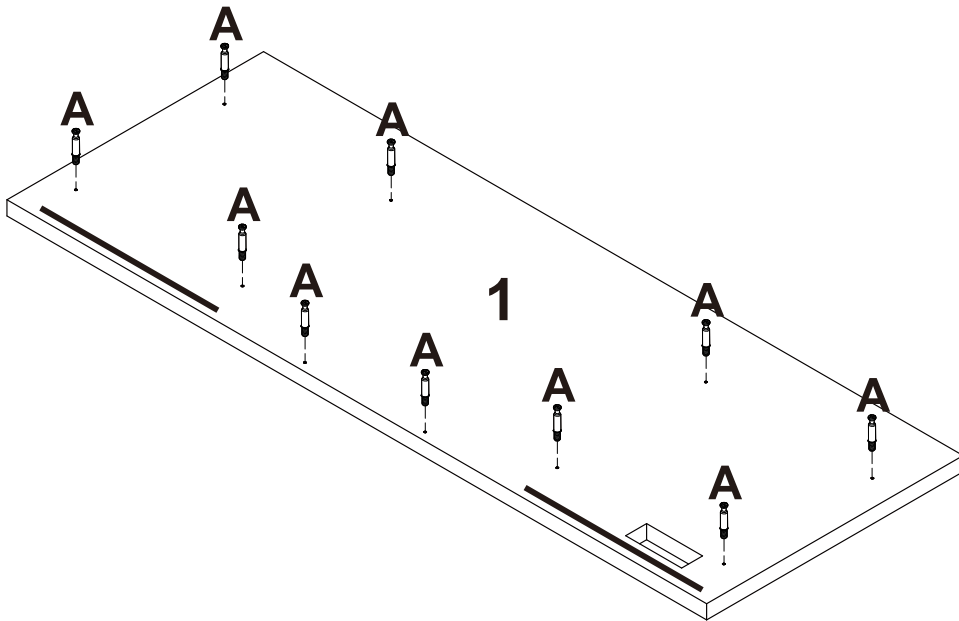
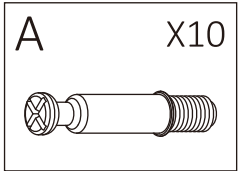
Step 52

I. Then place panel (13) onto the shelf supports (K).



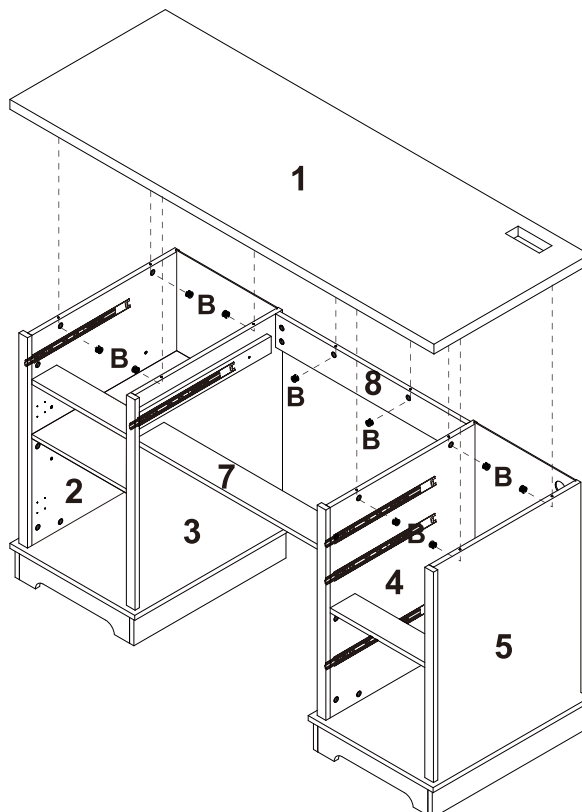
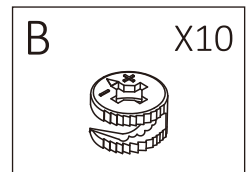
Step 53

I. As shown in the illustration, use a screwdriver to insert the cam bolt (A) into the corresponding holes on panel (1).



Step 54

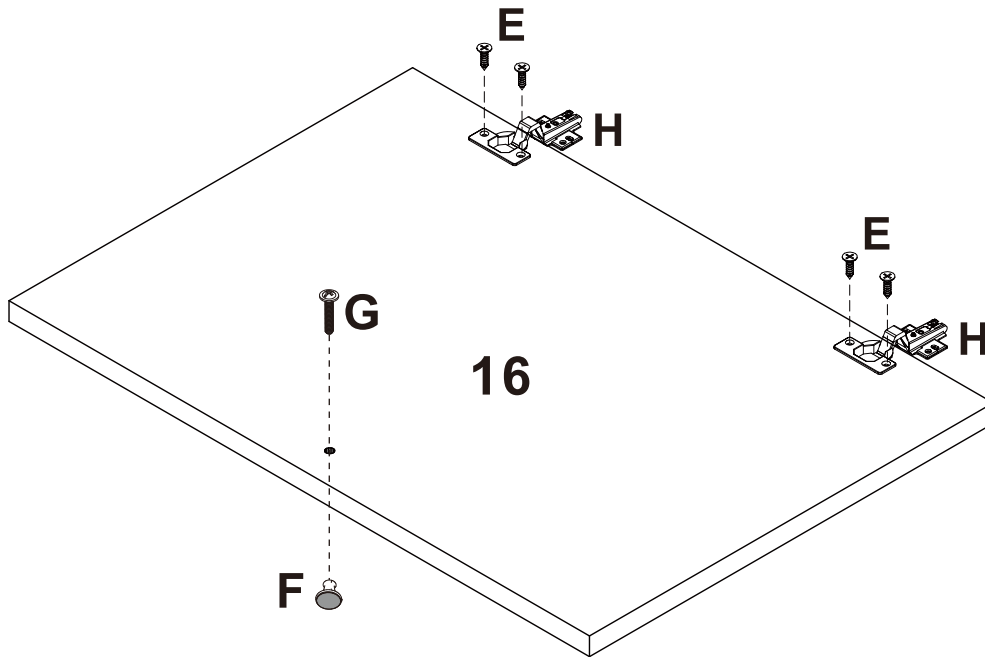
I. As shown in the illustration, connect the panel (1) to panel (2, 3, 4, 5 and 8), insert the cam lock (B) into the corresponding holes on panels (2, 3, 4, 5 and 8), and then use a screwdriver to turn the cam lock (B) clockwise to secure the cam bolt (A).


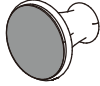




Step 55

I. Use screws (G) to attach the handle (F) to panels (16)

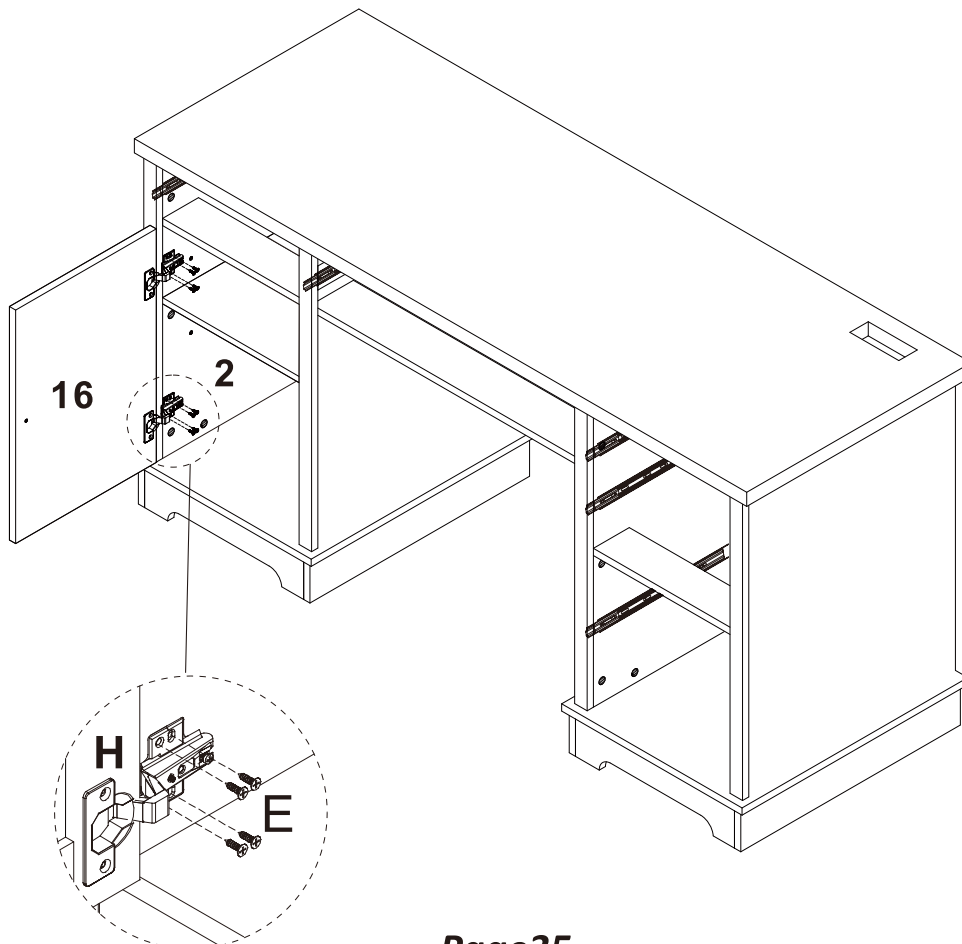
II. As shown in the illustration, use screws (E) to secure the hinge (H) to panel (16).




E	X4
	
F	X1
	
G	X1
	
H	X2
	

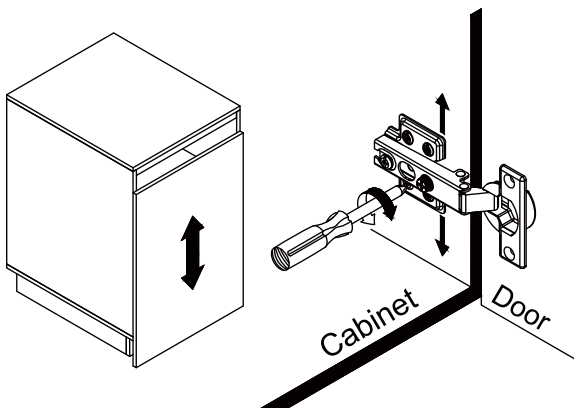
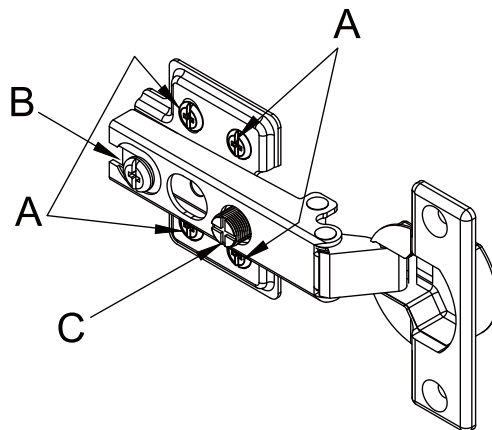
Step 56

I. Attach the hinge (H) on panel (16) to panels (2) and secure it with screws (E).



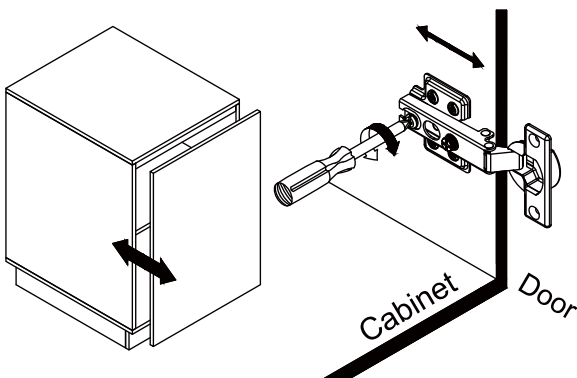
E	X8
	

Cabinet Door Adjustment



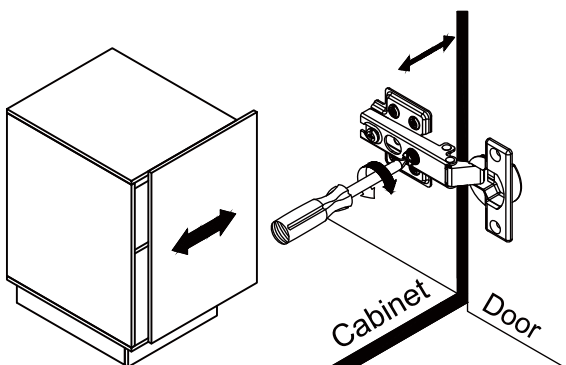
To adjust the vertical height:

If one door is vertically misaligned with the other, or the gap at the top of the door is too big. Slightly loosen screws "A" on both hinges. Then push the door upward or downward. Finally, tighten the screws back in place.



To adjust depth:

If the door does not align flush with the cabinet side. Loosen screw "B" and adjust the door. If the door cannot be adjusted, loosen screw "C" and try again. Finally, tighten screws "B" and "C".

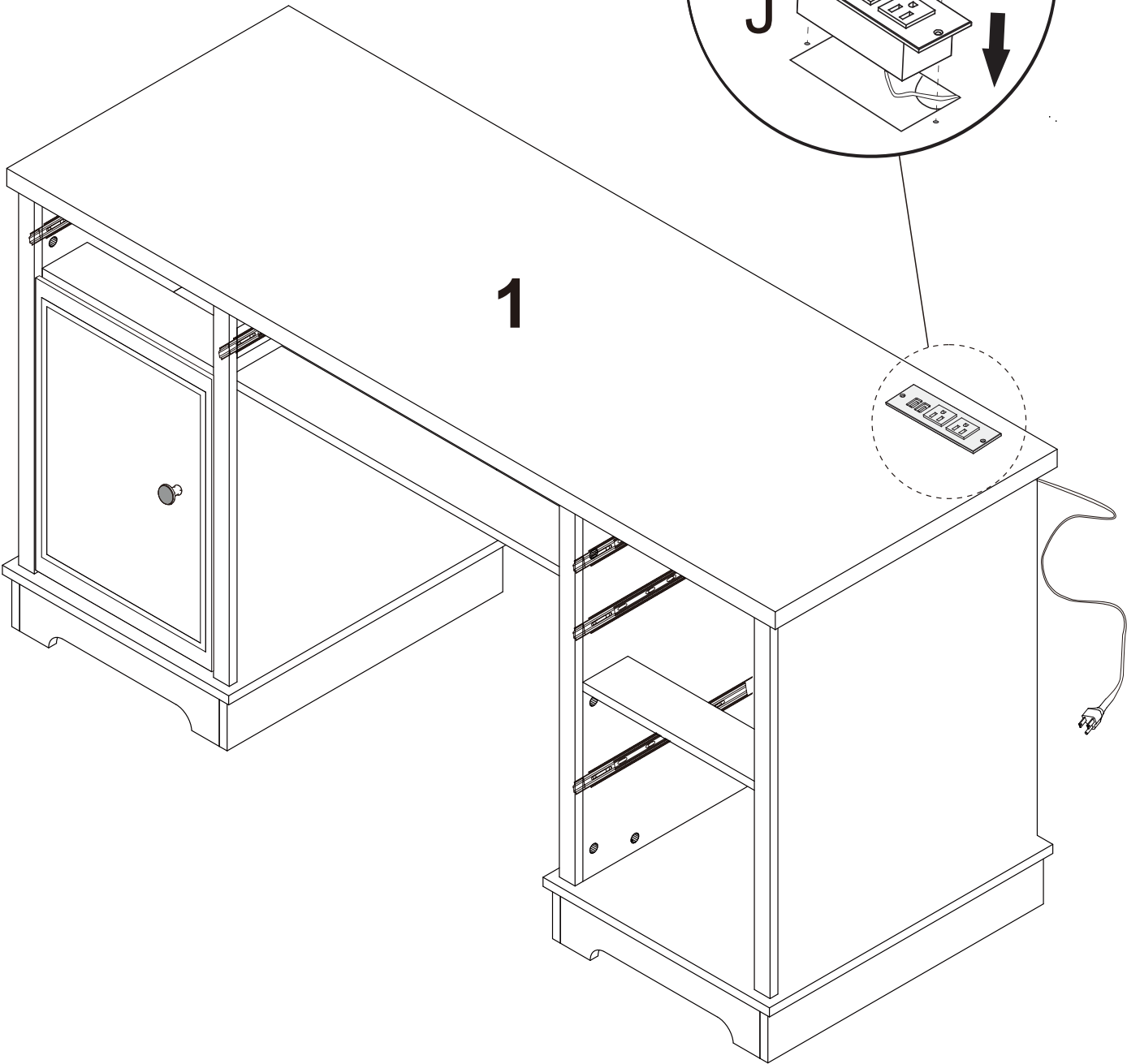
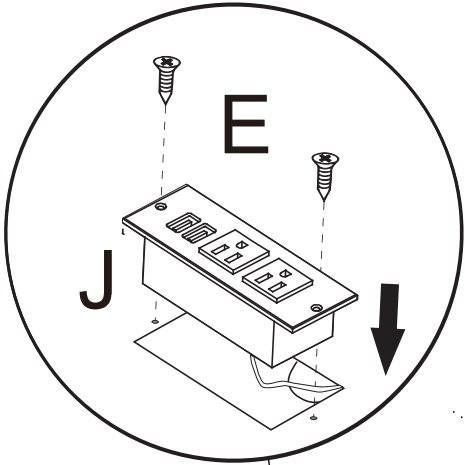
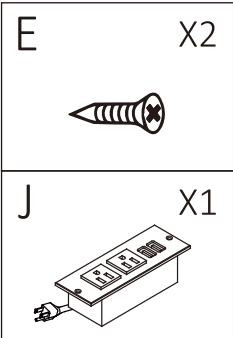


To adjust sideways:

If the gap between the doors is too large or one door overlaps the other when closed. Turning screw "C" on BOTH hinges of each door.

Step 57

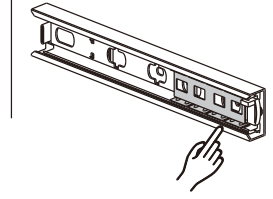
I. Use screws (E) to secure the power strip (J) to panel (1).



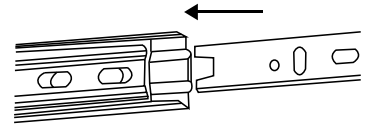
Step 58

I. Align the slide rails (D2) on drawers (20、 20、 25、 and 28) with the slide rails (D1) inside the cabinet, then slowly push the drawers in until the rails slide smoothly. If the rails do not slide smoothly, repeat the above installation steps.

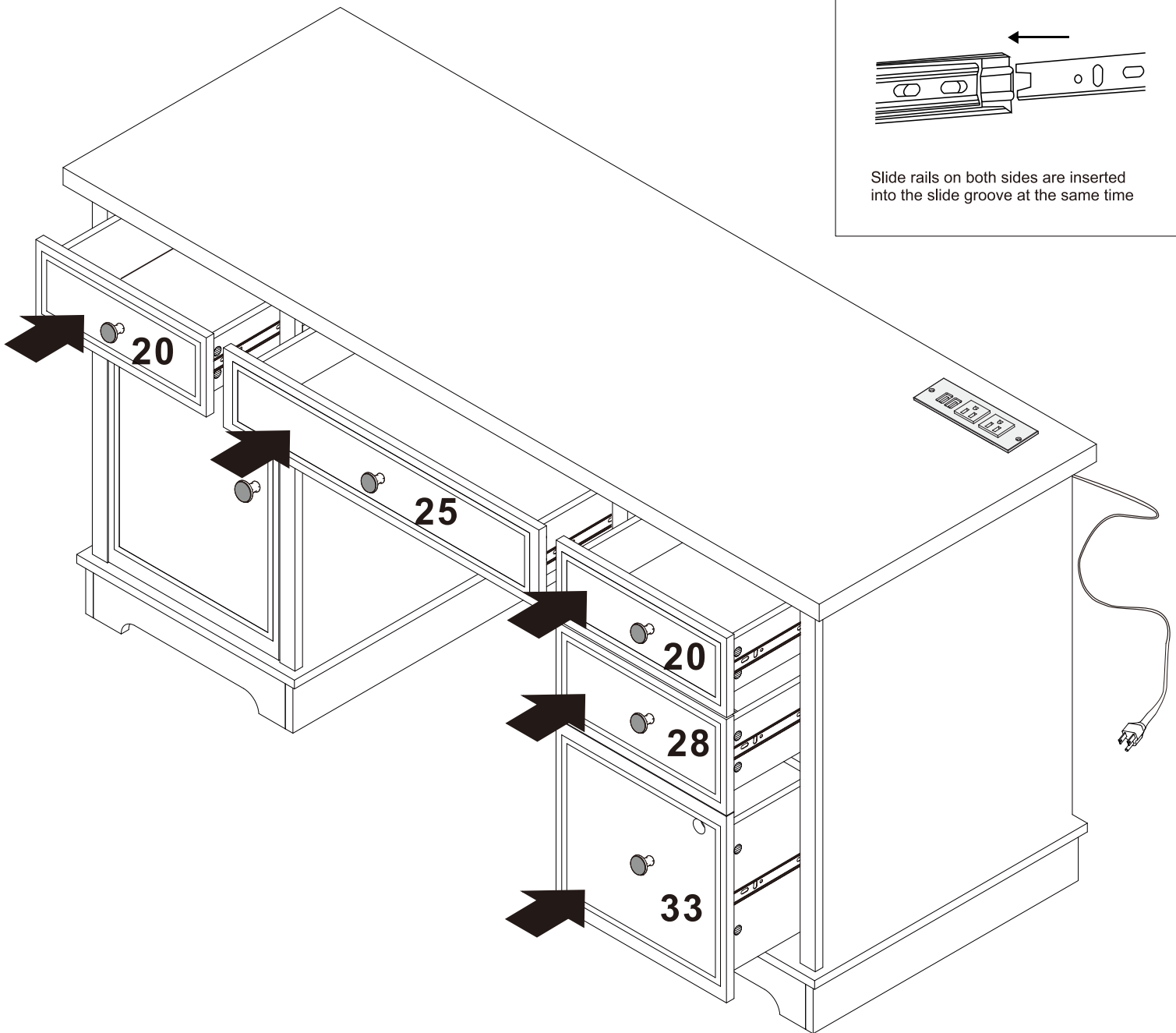
II. Align the slide rails (Q2) on drawers (33) with the slide rails (Q2) inside the cabinet, then slowly push the drawers in until the rails slide smoothly. If the rails do not slide smoothly, repeat the above installation steps.



Move the balls of the slide rails on both sides to the position as shown in the figure

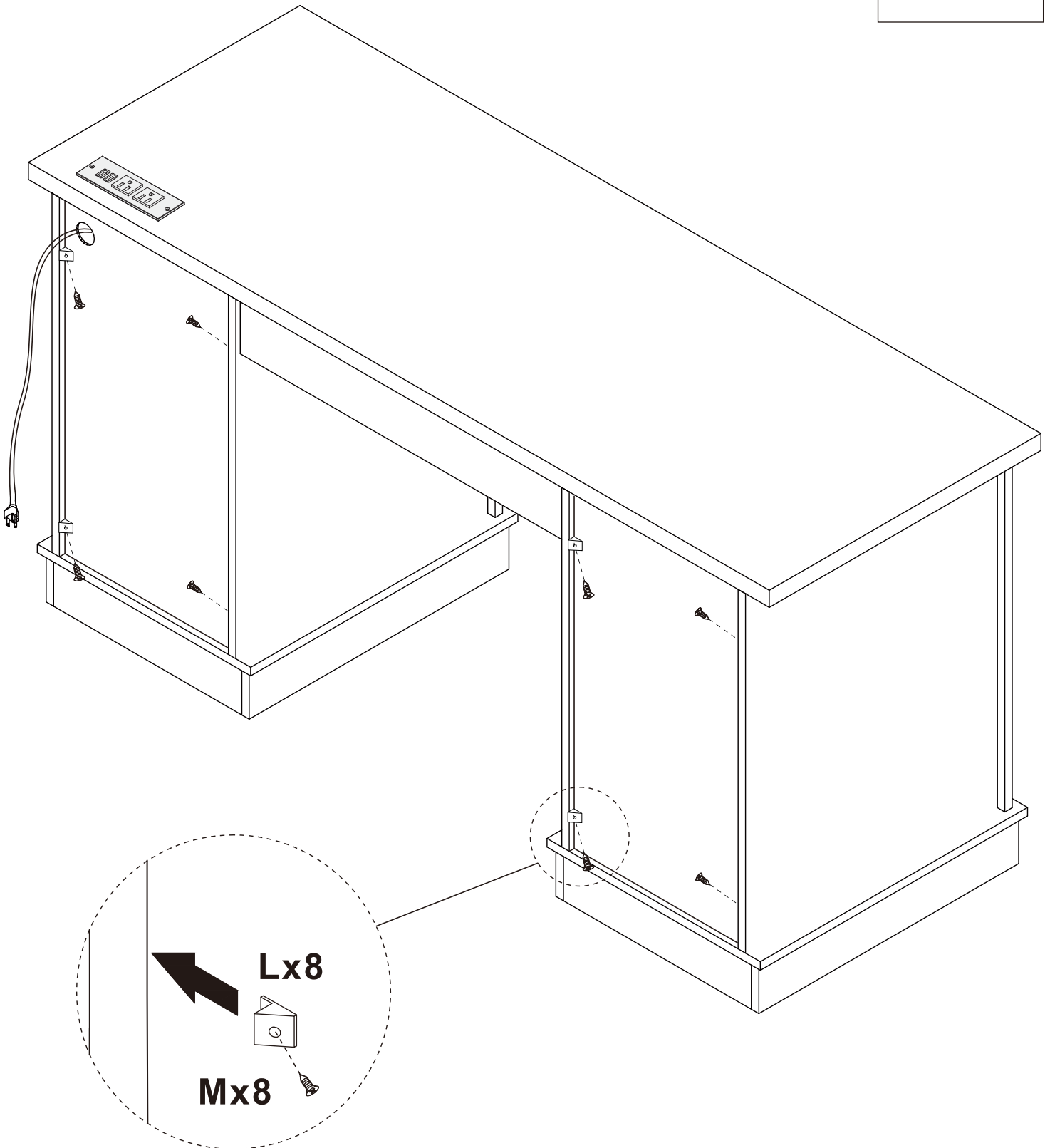
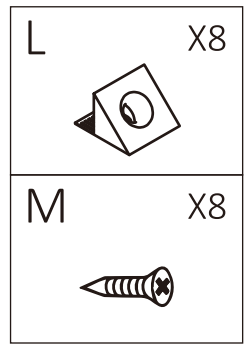


Slide rails on both sides are inserted into the slide groove at the same time



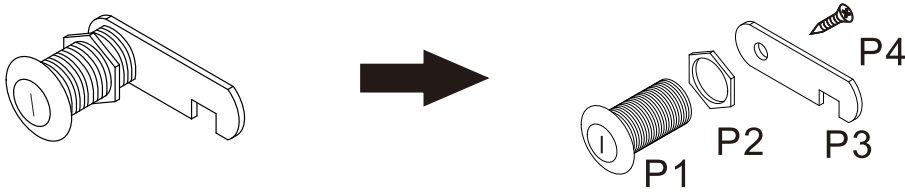
Step 59

I. Insert the thinnest side of the plastic part (L) into the gap between the back panel and the cabinet, then secure it with screws (M).



Drawer Lock Installation Instructions

1. Disassemble the buckle P sequentially into four components: P4, P3, P2, and P1.



2. Referring to the diagram, insert the separated latch part P1 through the pre-drilled hole in the door panel, secure it with P2 and tighten the screw, then snap P3 into place and install it with screw P4.

