

NOTICE

Please make sure that you have all parts indicated and they are in good condition before you begin assembly of this item.

Refer to part list and hardware list below for guidance.

* This item should be assembled on a soft surface to prevent scratching the finish during assembly.

* This item may require periodic tightening.

* If you are having difficulty, our friendly Customer Care team is always here to help.

Please email customersupport@safavieh.com

PREPARATION

* Before beginning assembly of product, make sure all parts are present. Compare parts with part contents list and hardware contents list.

* If any part is missing or damaged, do not attempt to assemble the product.




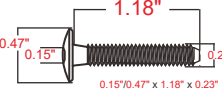
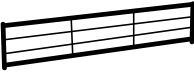




* Estimated Assembly Time: 10 minutes.

* Tools Required for Assembly (included): Allen Key

CARE AND MAINTENANCE

WOOD CARE : Always use felt pads under all articles to prevent discoloration or softening or the lacquer. Plastic and rubber bases on items can discolor wood. Wipe up spills immediately and avoid common hazards such as hot dishes, harsh solvent and abrasives. Cleaning should be done with a soft lint free cotton cloth dampened with water or furniture polish. On highly used surfaces we recommended applying a quality paste wax which should be used on a regular basis to provide additional protection from scratches and spills. How often you apply the wax depend on how much wear the furniture receives.

Part List and Hardware List

NO	DESCRIPTION	PICTURE	QTY	NO	DESCRIPTION	PICTURE	QTY
1	Left Side Panel		1	6	Bottom Shelf		1
2	Right Side Panel		1	H1	Allen Bolt		18
3	Left Long Side		1	H2	Allen Key		1
4	Right Long Side		1	H3	Wood Plug		18
5	Top Shelf		1				

 **SAFAVIEH**
FURNITURE

Model : STG6510A

Product Dimensions : 47.24" W x 11.81"D x 27.56"H



 **WARNING** 

Weight Capacity - Top part 10lbs , bottom part 22 lbs

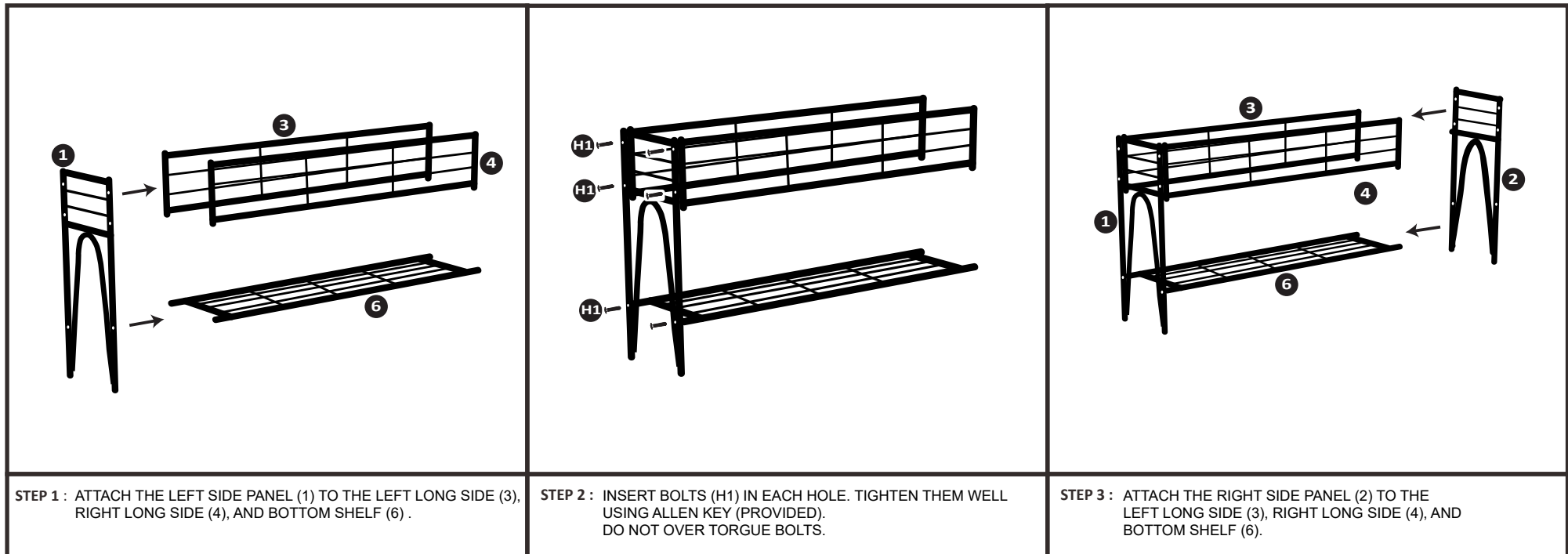
Warning : Do not stand on Planter

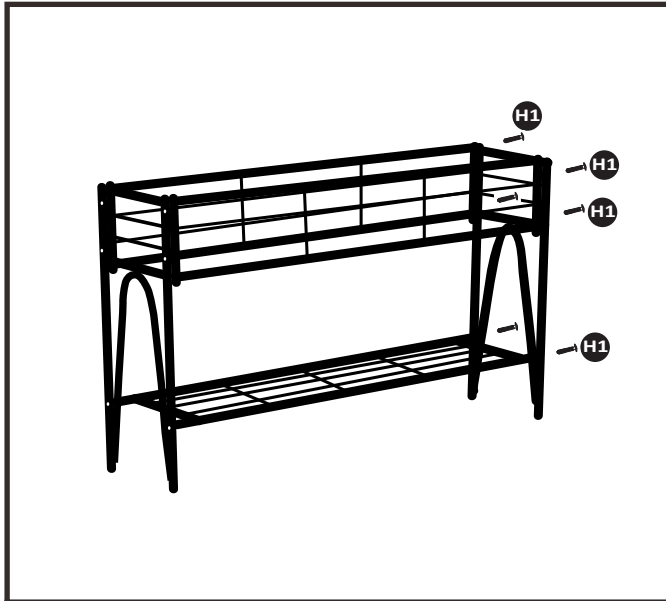
Warning : Do not over torque bolts.

PREPARATION

- * Before beginning assembly of product, make sure all parts are present. Compare parts with part contents list and hardware contents list.
- * If any part is missing or damaged, do not attempt to assemble the product.
- * Estimated Assembly Time: 10 minutes.
- * Tools Required for Assembly (included): Allen Key
- * If you are having difficulty, our friendly Customer Care team is always here to help. Please email customersupport@safavieh.com

Hardware is located inside the box. You can find them placed near the sign 'HARDWARE INCLUDED'

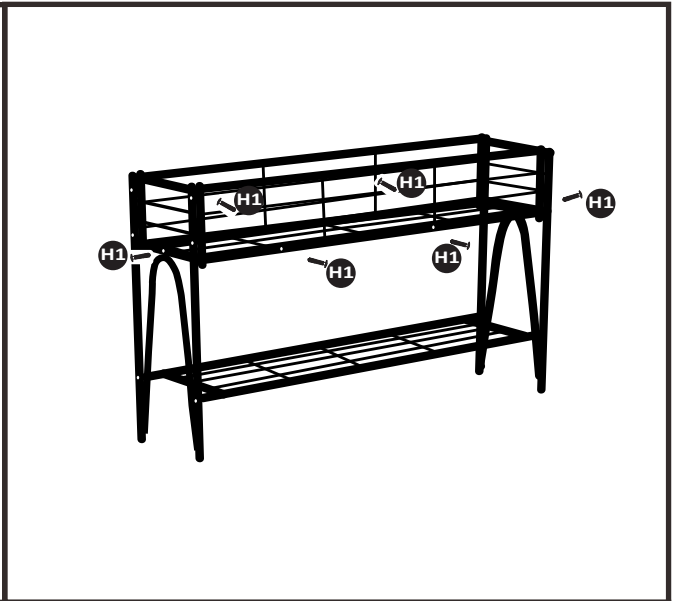




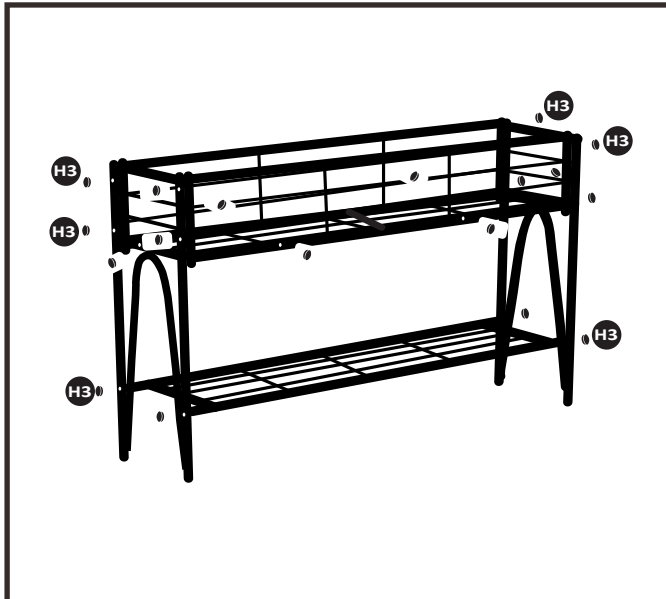
STEP 4 : INSERT BOLTS (H1) IN EACH HOLE. TIGHTEN THEM WELL USING ALLEN KEY (PROVIDED). DO NOT OVER TORQUE BOLTS.



STEP 5 : PLACE THE TOP SHELF (5) ONTO THE FRAME, ALIGNING IT BETWEEN THE LONG SIDES (3,4) AND SIDE PANELS (1,2).



STEP 6 : INSERT BOLTS (H1) IN EACH HOLE. TIGHTEN THEM WELL USING ALLEN KEY (PROVIDED). DO NOT OVER TORQUE BOLTS. IT SHOULD APPEAR AS SHOWN ONCE PROPERLY POSITIONED.



STEP 7 : INSERT WOODEN PLUGS (H3) INTO THE PRE-DRILLED HOLES.



STEP 8 : YOUR PLANTER IS NOW READY FOR USE.